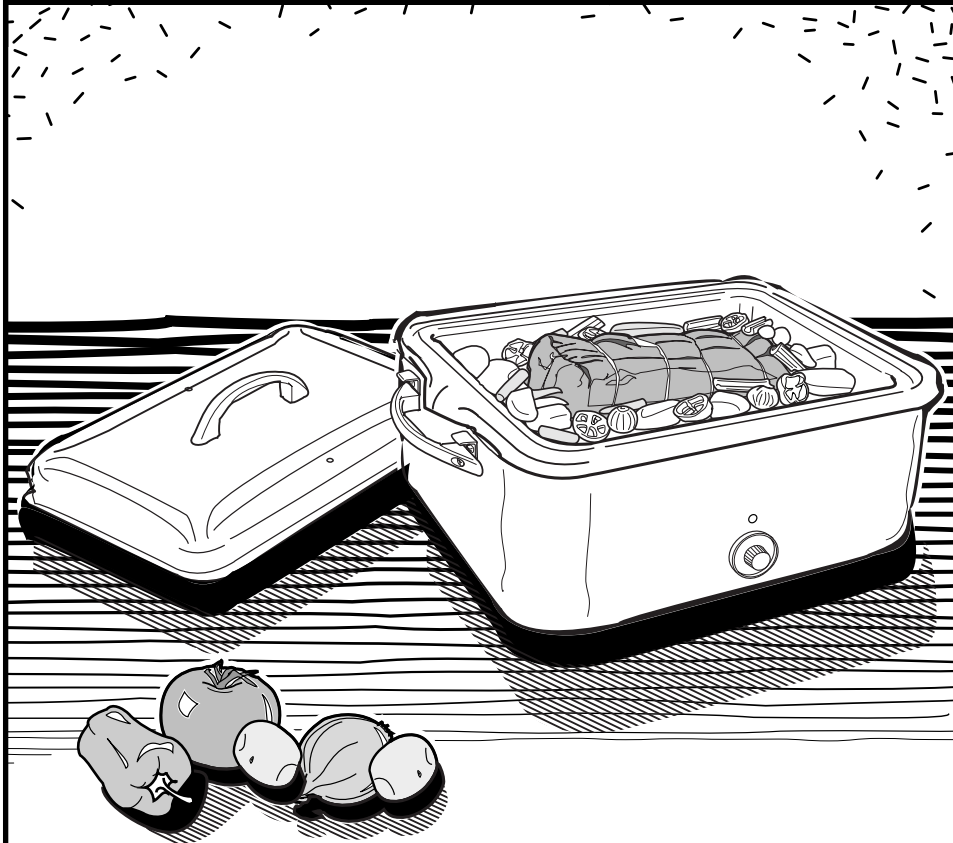


Roaster Oven

Rôtissoire

Horno Asador



READ BEFORE USE
LIRE AVANT L'UTILISATION
LEA ANTES DE USAR

English	2
USA: 1-800-851-8900	
Français	15
Canada : 1-800-267-2826	
Español	30
México: 01 800 71 16 100	

Le invitamos a leer cuidadosamente este instructivo antes de usar su aparato.

840128400

IMPORTANT SAFEGUARDS

When using electrical appliances, basic safety precautions should always be followed, including the following:

1. Read all instructions.
2. Do not touch hot surfaces. Use handles or knobs.
3. Use oven mitts to remove the Insert Pan or Rack from the roaster oven; or to remove a baking pan or cooked food from the insert pan.
4. To protect against electrical shock do not immerse roaster base, cord, or plug in water or other liquid.
5. Close supervision is necessary when any appliance is used by or near children.
6. Unplug from outlet when not in use and before cleaning. Allow to cool before putting on or taking off parts and before cleaning.
7. Do not operate any appliance with a damaged cord or plug, or after the appliance malfunctions or has been dropped or damaged in any manner. Call our toll-free customer service number for information on examination, repair, or adjustment.
8. The use of accessory attachments not recommended by the appliance manufacturer may cause injuries.
9. Do not use outdoors.
10. Do not let cord hang over edge of table or counter, or touch hot surfaces, including the stove.
11. To disconnect, turn any control to "Off" then remove plug from wall outlet.
12. Do not place on or near a hot gas or electric burner, or in a heated oven.
13. Extreme caution must be used when moving an appliance containing hot oil or other hot liquids.
14. **CAUTION:** Steam escaping from under cover is hot and can burn.
15. Do not use without the insert pan specifically designed for this model.
16. Do not use appliance to melt wax or any other non-food use.
17. Do not allow flammable materials such as curtains, draperies, walls, cabinets, backsplashes and the like to touch any part of the roaster oven while it is in operation.
18. **Do not use appliance for other than intended use.**

SAVE THESE INSTRUCTIONS!

Other Consumer Safety Information

This roaster oven is not intended for commercial, professional, or industrial-type usage. This roaster oven is designed only for cooking food. It should not be used for melting wax. This appliance is designed, built, and intended for household use only.

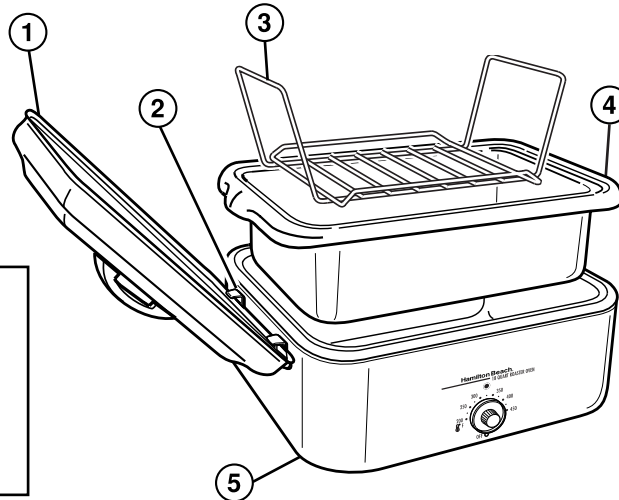
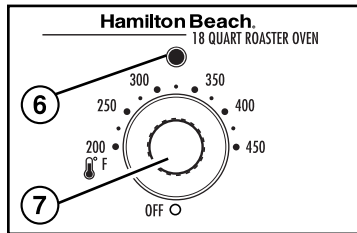
This appliance is equipped with a polarized plug. This type of plug has one blade wider than the other. The plug will fit into an electrical outlet only one way. This is a safety feature intended to help reduce the risk of electrical shock. If you are unable to insert the plug into the outlet, try reversing the plug. If the plug should still fail to fit, contact a qualified electrician to replace the obsolete outlet. Do not attempt to defeat the safety purpose of the polarized plug by modifying the plug in any way.

The length of the cord used on this appliance was selected to reduce the hazards of becoming tangled in, or tripping over a longer cord. If a longer cord is necessary an approved extension cord may be used. The electrical rating of the extension cord must be equal to or greater than the rating of the roaster oven. Care must be taken to arrange the extension cord so that it will not drape over the countertop or tabletop where it can be pulled on by children or accidentally tripped over.

PLEASE READ THIS BOOK!
THE ROASTER OVEN COOKS
SOME FOODS FASTER THAN A
CONVENTIONAL OVEN.

Parts & Features

1. Cover
2. Cover Holders
3. Rack
4. 18 Quart Removable Insert Pan
5. Base
6. Indicator Light
7. Temperature Control



Using Your Roaster Oven

BEFORE FIRST USE: Wash the insert pan, rack, and cover before using. During the first use of the roaster oven, some smoke and odor may be noticed. The smoke and odor should not occur after this first heating of the oven.

Tips About Your Roaster Oven

- The insert pan must always be used when cooking in the roaster oven. If cooking large quantities of soups or stews, the insert pan may be used as the cooking pan in the roaster base. It may also be used as a large roasting pan in the roaster base.
- Do not use the insert pan as a baking pan or casserole dish for cakes, breads, or casseroles. A separate pan must be placed in the insert pan when cooking these foods.
- Most heat-resistant glass casserole dishes fit in the roasting oven. Place in insert pan before filling dish to make sure it fits.
- Baking pans and casserole dishes should be placed on the rack for best heat circulation. If necessary, rack can be removed to fit a large roasting pan or two casseroles in roaster oven.
- Before baking or roasting in the roaster oven, make sure the pan or dish you plan to use will fit by placing it in the insert pan.
- Foil oven roasting bags can be used in the roaster oven. We do not recommend using plastic oven roasting bags in the roaster oven.
- Do not remove the cover of the roaster oven unless necessary. Removing the cover allows heat to escape and affects the temperature of the roaster oven.
- The indicator light will cycle on and off when the oven is heating to maintain set temperature.

Pan Sizes!

Following are pan sizes which will fit in the roaster oven:

- One 9 x 13-inch baking or 10 x 14-inch roasting pan
- Two 9 x 5-inch or 8 x 4-inch loaf pans
- One tube or bundt pan

How to Use

Notes!

- The insert pan should always be placed in the roaster base when cooking.
- If the recipe calls for a preheated oven, set the temperature control to desired temperature. The red indicator light will go out when the oven has reached the set temperature.

1. Make sure temperature control is turned to OFF. Plug cord into 120 volt AC outlet.
2. Remove rack. Leave insert pan in roaster oven.
3. Set temperature control to desired setting and let preheat 15 minutes.
4. Place food to be cooked in a pan on the rack (or directly in the insert pan). Then place rack in oven and replace the cover.
5. When finished cooking, remove cover. Wearing oven mitts, remove food by using the rack.
6. Turn temperature control to OFF and unplug roaster oven.

Roasting

Roasting Meats and Poultry

- We recommend the use of a meat thermometer to assure perfectly cooked roasts and poultry every time. If using a meat thermometer, the meat or poultry should be removed from the roaster oven when the thermometer reading is 5 to 10 degrees below the desired temperature. The internal temperature will continue to rise after the meat has been removed from the roaster oven.
- Most hams sold today are labeled as "Cook Before Eating" or "Fully Cooked." Ham labeled "Cook Before Eating" has been smoked or cured but NOT cooked. This ham must be thoroughly cooked to an internal temperature of 155 to 160°F. The "Fully Cooked" hams have been smoked or cured and already cooked. The ham does not require further cooking, but heating to 140°F improves the flavor.
- The roaster oven cooks turkeys in less time than conventional ovens. A 14 to 18 pound unstuffed turkey will cook in approximately 2½ hours. A turkey cooked in the roaster oven is moist and juicy, but does not brown. If you want a turkey with browned skin, please use the Turkey Browning Sauce in the "Recipe" section.
- The Roasting Chart lists cooking times for tender cuts of meat that are usually dry-roasted. These roasts are from the rib or sirloin area. To tenderize cuts from the leg (ham) or shoulder/chuck area, cook in liquid for a longer period of time.
- Times indicated are approximate and should be used only as a general guideline. Individual cuts of meat and personal preference may dictate longer or shorter roasting times.

Roasting Chart

FOOD	WT.	MEAT THERMOMETER TEMPERATURE	COOKING TIME (at 325°F)
Whole Turkey	14-18 lbs.	180°F	2 to 3 hours
Turkey Breast	5-7 lbs.	180°F	1½ hours
Roasting Chicken	6-8 lbs.	180°F	1½ hours
Beef Roast	5-7 lbs.	160°F (medium)	2½ hours
Fresh Pork Roast	5-7 lbs.	160°F (medium)	2 hours
Picnic Shoulder Ham (Fully Cooked)	7-10 lbs.	140°F	2 to 3 hours
Whole Ham (Fully Cooked)	15-18 lbs.	140°F	2 to 3 hours

Baking

The roaster oven can bake your favorite cakes, pies, breads, or casseroles like a conventional oven. Pans and dishes should be placed on the rack for best heat circulation. Using the rack is also recommended for convenience in removing hot dishes and pans from the roaster oven.

Do not remove the cover of the roaster oven unless necessary. Removing the cover allows heat to escape and affects the temperature of the roaster oven.

Steaming

Preheat roaster oven to 450°F. To steam in the roaster oven, you will need a stainless steel colander. Place rack in the insert pan. Place insert pan in roaster oven. Pour 1 quart boiling

water into the insert pan. Place food to be steamed in the colander and place colander in insert pan. Cover and steam according to the following times or until desired doneness.

ITEM TO STEAM	AMOUNT OF TIME
2 cauliflower heads, cut up	10 minutes
2 bunches of broccoli, cut up	10 minutes
2 pounds shrimp	10 minutes

Warming Rolls, Biscuits, etc.

Preheat roaster oven to 250°F. You will need two small ovenproof containers to hold water. Emptied and washed food cans are perfect. Fill the cans two-thirds full with hot water and place

in opposite corners of the insert pan. Stack rolls, biscuits, or pancakes in insert pan. Do not let them touch sides of pan. Cover and keep warm up to one hour.

Quantity Cooking

The insert pan may be used as a large cooking utensil when cooking or heating large quantities, about 4 gallons. It may be used to simmer sauces, soups, or stews, or simply to heat or warm large quantities. When cooking or heating soups or stews in the roaster oven, stir occasionally for quicker, even heating.

For example, set the temperature control at 400°F and the roaster oven will warm vegetable beef soup from refrigerated temperature to serving temperature in about two hours. To cook soups, stews, or sauces, set the temperature control on 225°F and allow 4 to 8 hours to simmer, depending on recipe.

Cleaning Your Roaster Oven

1. Turn temperature control to OFF. Unplug roaster oven from outlet and let cool.
 2. Wash cover, rack, and insert pan in hot, soapy water. To remove burned-on food, let soak, then scrub with a nylon scouring pad. Rinse in hot water, then dry.
 3. Wipe the inside of the roaster base with a damp cloth.
 4. Wipe the outside of the roaster oven with a damp, soapy cloth; then dry.
- NOTE:** Never immerse roaster base in water or other liquid.

Roaster Oven Recipes

Unless otherwise instructed, preheat roaster oven for 15 minutes to the temperature stated in the recipe.

If recipe calls for the use of a baking pan or dish, take the rack out of the oven. Preheat oven to desired temperature. Then place pan on the rack and then place both into the roaster oven. Bake as instructed in the recipe. The rack makes it easier to place or remove pans or dishes in the hot roaster oven.

Appetizers

Party Meatballs

5-pound bag pre-cooked frozen meatballs	12-ounce jar currant jelly
12-ounce jar grape jelly	12-ounce bottle chili sauce
	12-ounce bottle cocktail sauce

Let meatballs thaw overnight in refrigerator. Place meatballs in insert pan. In a large mixing bowl beat together jellies and sauces. Pour over meatballs. Bake at 250°F for 2 hours or until heated through.

Baked Crab and Brie Dip

1 tablespoon vegetable oil	1 cup milk
1 tablespoon minced garlic	1 pound crabmeat
4 green onions, finely chopped (include half of green top)	10 ounces frozen, chopped spinach, thawed and squeezed dry
8 ounces Brie	6-ounce jar marinated artichoke hearts, drained and chopped
8 ounces cream cheese, room temperature	1 tablespoon prepared mustard

In a large skillet over medium heat, sauté the garlic and onion, until the onion is limp. Remove any rind from the Brie and cut into ½ inch pieces. Add to the skillet. Cut cream cheese into cubes and add to the skillet with the milk. Cook and stir just until cheeses melt. Remove from heat and dump into mixing bowl. Pick through crab to remove any pieces of shell. Add spinach, artichoke hearts, crab and mustard. Stir gently to mix then spoon into a greased shallow 2-quart baking dish or casserole. Place in roaster oven and bake at 425°F for 15 to 20 minutes or until lightly browned. Serve with crackers or toasted slices of French bread.

Makes 8 hors d'oeuvre servings.

Main Dish/Entrees

Quick Roast Turkey

The roaster oven cooks a turkey in about half the time of a regular oven, but use a meat thermometer to make sure your turkey is thoroughly cooked. The roaster oven DOES NOT brown a turkey. The constant dripping of condensation from the cover of the roaster prevents the turkey from browning but also produces a turkey that is moist and juicy.

14 to 18 pound fresh or thawed turkey	1 teaspoon salt
1 onion, cut in half	½ teaspoon pepper
2 stalks celery	¼ cup butter, melted

Remove the rack. Pour ½ cup water into the insert pan, cover and preheat to 325°F. Remove giblets and neck from cavities of turkey. Set aside and use for giblet gravy. Rinse bird inside and out with cold water. Place onion and celery inside turkey. Rub outside with salt and pepper. Place on rack. Brush whole turkey with butter. Place in roaster. Cover and cook at 325°F for 2 to 2½ hours. Check meat thermometer reading. Continue cooking until meat thermometer registers 180°F.

Turkey Browning Sauce

For turkey with a brown skin, use the following recipe before cooking:

¼ cup melted butter or margarine
1½ teaspoons browning sauce, like Kitchen Bouquet
1 teaspoon paprika

Wash turkey with cold water. Pat dry. Paint turkey with the browning mixture and cook as directed.

Whole Baked Ham

15 pound fully-cooked smoked ham	½ cup orange juice
2 cups water	1 cup brown sugar
½ cup honey	

Trim thick part of fat off of ham, down to ¼-inch. Score remaining layer of fat into diamond design; this will help hold glaze. Place ham on rack and place in roaster. Pour 2 cups water into insert pan. Cover and roast at 325°F for 1 hour. Combine remaining ingredients to make glaze. Remove cover and spoon half of glaze over ham. Cover and bake 1 more hour. Remove cover and spoon remaining glaze over ham. Replace cover, increase temperature to 400°F and bake for 10 minutes to set glaze.

North Carolina Pork Barbeque

10 to 12 pounds Boston blade pork roasts	½ cup water
2 28-ounce cans whole tomatoes	1 tablespoon black pepper
1½ cups vinegar	2 tablespoons salt
½ cup Worcestershire sauce	3 tablespoons sugar
	1 to 2 tablespoons crushed red peppers

Place pork in insert pan. In a large mixing bowl, combine remaining ingredients. Stir to mix and break up whole tomatoes. Pour tomato/vinegar mixture over pork. Cover and roast at 250°F. Cook for 5 hours or until meat falls away from bone. Remove meat and slice or mince. Puree remaining sauce that pork was cooked with. Serve on buns with sauce and coleslaw. **Makes 24 servings.**

Chili

2 tablespoons oil	4 tablespoons canned, sliced jalapeno peppers (half of 4-ounce can)
2 pounds beef chuck, cut into small pieces	1 tablespoon minced garlic
1 pound hot Italian sausage, removed from casings	4 tablespoons chili powder
1 pound sweet Italian sausage, removed from casings	2 tablespoons ground cumin
2 large onions, chopped	1 teaspoon black pepper
1 large green pepper, seeded and chopped	2 16-ounce can kidney beans
	28-ounce can diced tomatoes, undrained
	12-ounce can tomato paste
	2 15-ounce cans chicken broth

Set temperature dial to 400°F. In insert pan, heat the oil. Add the beef and sausage and cook about 20 minutes. Add the onions, pepper, jalapeno, and garlic and cook 5 minutes. Stir in remaining ingredients. Reduce temperature to 275°F. Cover and bake for 2 hours, stirring halfway through. **Makes 5 quarts.**

Roast Chicken with Honey Mustard Glaze

6 to 7 pound roaster chicken	½ cup honey
½ teaspoon salt	3 tablespoons prepared mustard
¼ teaspoon pepper	

Remove giblets from roaster cavity and use for giblet gravy, if desired. Rinse chicken with cold water; pat dry. Sprinkle with salt and pepper. In a small bowl combine honey and mustard. Brush chicken with half of mixture. Place on rack and put into roaster oven. Cover and roast at 350°F for 1 hour. Brush with remaining glaze. Continue to cook another 45 minutes or until done.

Whole Beef Tenderloin

1 whole beef tenderloin, 7-9 pounds	1 teaspoon each: ground red pepper, black pepper, chili powder, and onion powder
2 teaspoons each: oregano, basil, thyme, and salt	

Trim off most of the fat covering the tenderloin. Fold thin, flat end of the tenderloin back toward middle and tie with kitchen twine. This is so the roast will cook more evenly. Combine all seasonings and rub over roast. Place roast on rack and place rack in roaster. Cover and roast at 400°F for 1½ hours before removing cover to check with meat thermometer. Cook to a minimum internal temperature of 140°F for rare. **Yield: 14 to 20 servings.**

Blue Cheese Shrimp

4 ounces blue cheese, crumbled	1 clove garlic, minced
8 ounces cream cheese, cut in cubes and at room temperature	⅓ cup white wine*
1 tablespoon chopped fresh chives	2 pounds shelled raw shrimp
1 tablespoon chopped fresh parsley	Cooked rice or pasta

In a medium mixing bowl combine the blue cheese, cream cheese, chives, parsley, garlic, and wine. Beat until smooth. Fold in shrimp by hand. Pour into a greased shallow 2-quart casserole dish. Place in roaster oven and bake at 400°F for 20 minutes or until mixture is bubbly and shrimp are just done. Mixture will be soupy. Serve over hot rice or pasta. **Makes 6 servings.**

* You may substitute ¼ cup gingerale + 1 tablespoon lemon juice for the wine.

Side Dishes

Seasoned Rice

8 cups regular or converted white rice (uncooked)	8 cups beef or chicken broth or bouillon
2 tablespoons dried minced onion	8 cups boiling water
	½ cup butter or margarine, melted

Remove insert pan from roaster oven. Preheat oven to 350°F. Place all ingredients in insert pan. Stir to mix. Place insert pan in roaster oven. Cover and bake at 350°F for 1½ hours. **Makes 30 servings.**

Baked Potatoes

10 pounds baking potatoes

Wash and scrub the potatoes. Pierce all the potatoes, several times. Stack in the roaster oven so that they are not touching the sides of the insert pan. Bake at 400°F for 1 hour, or until done. Check for doneness by piercing with a fork.

Southern Baked Beans

1 pound lean ground beef	¾ cup ketchup
1 envelope dry onion soup mix	2 tablespoons prepared mustard
2 16-ounce cans pork and beans	1 tablespoon vinegar
1 16-ounce can kidney beans	

Do not drain beans. In a large skillet brown ground beef until done. Discard grease. Place browned ground beef, soup mix, pork and beans, kidney beans, ketchup, mustard, and vinegar into a 3-quart casserole or baking dish. Mix thoroughly. Place in roaster oven and bake at 350°F for 35 to 45 minutes.

Makes 10 servings.

Corn Pudding

¼ cup butter, melted	3 cups milk
¼ cup flour	6 eggs
6 tablespoons sugar	2 16-ounce cans whole kernel corn, drained
2 teaspoon salt	
½ teaspoon pepper	

Pour butter into a 9x13-inch baking dish or pan. Tilt to coat bottom and sides of pan. In a small bowl combine flour, sugar, salt, and pepper; set aside. In a large mixing bowl, whisk together milk and eggs. Stir in corn. Sprinkle flour-sugar mixture over top of corn mixture, then stir to blend. Pour into prepared pan. Place in roaster oven and bake at 350°F for 35 to 45 minutes or until set.

Makes 10 to 12 servings.

Creamed Potatoes

4 pounds white potatoes, about 15 medium	1½ teaspoons salt
3 cups half and half	¼ teaspoon pepper
3 tablespoons finely minced onion	4 tablespoons butter

Scrub the potatoes but do not peel. Place in a large pot and cover with water. Place over high heat and bring to boil. Reduce to simmer and cook until done, about 45 minutes. Refrigerate overnight. Grate the potatoes. It is not necessary to peel them. Place grated potatoes, half and half, onion, salt, and pepper in a large bowl and stir to mix. Put butter in a 9x13-inch baking dish and rotate dish to coat. Spoon in potato mixture. Place in roaster oven and bake at 375°F for 1 hour.

Makes 10 servings.

Cheddar Onion Cornbread

¼ cup butter	2 eggs
1½ cups chopped onion	1 cup milk
8-ounce container sour cream	2 8-ounce packages corn muffin mix
1½ cups grated cheddar cheese, divided	15-ounce can cream corn
	3 drops hot pepper sauce

In a skillet over medium high heat, sauté onions in butter until soft. Transfer to a medium mixing bowl and let cool. Stir in sour cream and 1 cup of the cheddar cheese. Set aside.

In another bowl, whisk eggs. Then add milk, muffin mix, cream corn, and pepper sauce. Stir until mixed. Spread muffin batter into a greased 9x13-inch baking pan. Dollop sour cream mixture over top of batter. Sprinkle remaining cheddar cheese over all. Place in roaster oven and bake at 425°F for 30 to 35 minutes. Let set for 5 minutes before cutting.

Desserts

Gingerbread with Lemon Sauce

Gingerbread

½ cup butter, softened	½ teaspoon baking soda
1 cup brown sugar	⅛ teaspoon salt
2 eggs	1 tablespoon ground ginger
1 cup milk	¼ teaspoon cinnamon
1 cup molasses	¼ teaspoon cloves
2½ cups flour	¼ teaspoon nutmeg

Grease a 9x13-inch baking pan. In a large bowl, cream together butter and sugar. Add eggs and mix well. Add milk and molasses and mix thoroughly. Add flour, baking soda, salt, ginger, cinnamon, cloves, and nutmeg. Beat well. Pour batter into greased pan. Place in roaster oven and bake for 35 to 40 minutes at 350°F until gingerbread begins to pull away slightly from sides of pan.

Lemon Sauce

2 tablespoons cornstarch	1 cup hot water
½ cup sugar	2 tablespoons butter
⅛ teaspoon salt	Juice and grated peel from one lemon

In a medium saucepan, combine cornstarch, sugar, and salt. Blend in hot water. Cook over medium-high heat, stirring constantly until mixture boils and is slightly thickened. Stir in butter, juice of lemon, and grated lemon peel, mixing well until butter is melted. Serve warm or cold over gingerbread. **Makes 1½ cups.**

Lemon Squares

1 cup butter	½ cup flour
½ cup sugar	1 teaspoon baking powder
2 cups flour	4 tablespoons lemon juice
4 eggs	2 tablespoons lime juice
2 cups sugar	Grated zest of 1 lemon (yellow part of peel)
½ teaspoon vanilla	

Place butter and sugar in mixing bowl and beat until mixed. Add flour and mix until blended and crumbly. Press mixture into bottom of 9x13-inch baking pan. Place in roaster oven and bake at 350°F for 20 minutes or until edges just turn brown. Meanwhile in same bowl (do not need to wash) beat eggs. Slowly add sugar then vanilla, flour, baking powder, juices, and zest. When crust is done pour egg mixture over crust. Return to oven and bake an additional 20 to 25 minutes or until set. Cool in pan then cut into squares.

The Perfect Cheesecake

You need a springform pan for this, but cheesecakes are easy to make. The roaster oven cooks the cheesecake with gentle heat by surrounding it with water like the professionals do.

Butter	1½ cups sugar
½ cup graham cracker crumbs	5 eggs
6 8-ounce packages cream cheese, room temperature	1 teaspoon vanilla
	1 tablespoon lemon juice

Generously butter bottom and sides of 9½ inch springform pan. Sprinkle crumbs evenly over bottom of pan. In a large mixing bowl beat cream cheese until smooth. Add sugar and continue to beat until smooth. Add eggs beating well after each addition. Stir in vanilla and lemon juice. Pour into prepared springform pan. Cover springform pan with aluminum foil. (This prevents condensation in roaster from dripping onto cake.) Pour 3 quarts hot water into insert pan. Place springform pan on rack and place in roaster. Cover and bake at 325°F for 1½ hours. Carefully remove and let cool, then refrigerate thoroughly before serving.

Yield: 16 to 20 servings.

Harvest Apple Cake

1 cup sugar	1 teaspoon baking soda
1 cup light brown sugar	1 teaspoon salt
1½ cups vegetable oil	½ teaspoon cinnamon
3 eggs	½ teaspoon nutmeg
2 teaspoons vanilla extract	2 cups finely chopped apples
3 cups flour	1 cup chopped pecans

Preheat roaster oven to 325°F. In a large mixing bowl beat together sugars, oil, eggs, and vanilla. Add flour, soda, salt, cinnamon, and nutmeg. Mix until blended. Stir in apples and nuts. Pour into greased 10-12 cup bundt or tube pan. Place in roaster oven and bake 1 hour or until toothpick inserted in center comes out clean. Let cool in pan 5 minutes then invert on cookie rack to cool.

12

Mocha Souffle Cake

6 ounces semisweet baking chocolate	1 cup butter
2 ounces unsweetened baking chocolate	1 tablespoon instant coffee
OR	8 eggs, separated
	¼ teaspoon salt
8 ounces bittersweet chocolate	1 cup sugar
	1 teaspoon vanilla

In double boiler or heavy saucepan over low heat, melt chocolate, butter, and instant coffee. Set aside. In mixing bowl beat egg whites and salt until whites hold a point but not stiff. Set aside. In a mixing bowl whisk egg yolks. Add some of the melted chocolate to the yolks, then whisking quickly, add remaining chocolate to the yolks. Stir in sugar and vanilla. Add a few large spoonfuls of egg whites to the chocolate. Fold in. Add remaining whites and fold until combined. Generously butter a bundt or 10-inch tube pan then generously coat with sugar. Pour in chocolate mixture. Place in roaster oven and bake at 300°F for 2 hours. The cake will rise then fall during baking. Remove from oven and let sit in pan 5 minutes. Invert onto serving plate. Best if served warm with whipped cream or ice cream.

Breakfast Foods

Baked Eggs

1½ cups milk	½ teaspoon pepper
3 dozen eggs	¼ cup melted butter
1 teaspoon salt	

In a large bowl, beat milk, eggs, salt, and pepper with mixer. Pour melted butter into 9x13-inch baking pan and tilt pan to coat bottom and sides. Pour egg mixture into pan. Place in roaster oven and bake eggs at 400°F for 30 minutes, stirring and scraping sides of pan with a rubber spatula every 10 minutes to ensure even cooking. **Makes 15 servings.**

Overnight Sticky Buns

⅔ cup finely chopped pecans	¼ cup butter, melted
1 pound, 9-ounce bag frozen roll dough	½ cup brown sugar
4 tablespoons + 1 teaspoon butterscotch cook & serve pudding mix, (½ of a 3.5 ounce box)	1 teaspoon cinnamon

Grease a 10-inch tube or bundt pan. Sprinkle pecans in bottom of pan. Place frozen rolls in pan. Sprinkle with pudding mix. Pour melted butter over rolls. Combine brown sugar and cinnamon and sprinkle over rolls. Cover with wax paper and let sit at room temperature overnight. In the morning, remove wax paper, place in roaster oven, and bake at 350°F for 20 to 30 minutes. Remove from oven and immediately place serving plate on top of pan. Use hot mitts and flip the pan to remove sticky buns.

Customer Service

If you have a question about your roaster oven, call our toll-free customer service number. Before calling, please note the model, type, and series numbers and fill in that information below. These numbers can be found on the bottom of your roaster oven. This information will help us answer your question much more quickly.

MODEL: _____ **TYPE:** _____ **SERIES:** _____

This warranty applies to products purchased in the U.S. or Canada.

LIMITED WARRANTY

This product is warranted to be free from defects in material and workmanship for a period of two (2) years for Hamilton Beach Portfolio products, one (1) year for Hamilton Beach products or one hundred eighty (180) days for Proctor-Silex products from the date of original purchase, except as noted below. During this period, we will repair or replace this product, at our option, at no cost. THE FOREGOING WARRANTY IS IN LIEU OF ANY OTHER WARRANTY, WHETHER EXPRESS OR IMPLIED, WRITTEN OR ORAL INCLUDING ANY WARRANTY OF MERCHANTABILITY OR FITNESS FOR A PARTICULAR PURPOSE. ANY LIABILITY IS EXPRESSLY LIMITED TO AN AMOUNT EQUAL TO THE PURCHASE PRICE PAID, AND ALL CLAIMS FOR SPECIAL, INCIDENTAL AND CONSEQUENTIAL DAMAGES ARE HEREBY EXCLUDED. There is no warranty with respect to the following, which may be supplied with this product: glass parts, glass containers, cutter/strainer, blades, and/or agitators. This warranty extends only to the original consumer purchaser and does not cover a defect resulting from abuse, misuse, neglect, use for commercial purposes, or any use not in conformity with the printed directions. This warranty gives you specific legal rights, and you may also have other legal rights which vary from state to state, or province to province. Some states or provinces do not allow limitations on implied warranties or special, incidental or consequential damages, so the foregoing limitations may not apply to you.

If you have a claim under this warranty, DO NOT RETURN THE APPLIANCE TO THE STORE! Please call our CUSTOMER SERVICE NUMBER. (For faster service please have model, series, and type numbers ready for operator to assist you.)

CUSTOMER SERVICE NUMBERS

In the U.S. 1-800-851-8900

In Canada 1-800-267-2826

hamiltonbeach.com or proctorsilex.com

KEEP THESE NUMBERS FOR FUTURE REFERENCE!

IMPORTANTES INSTRUCTIONS

Lors de l'utilisation d'appareils électroménagers, des précautions fondamentales de sécurité doivent toujours être observées, y compris ce qui suit :

1. Lire toutes les instructions.
2. Ne pas toucher les surfaces chaudes. Utiliser les poignées ou boutons.
3. Utiliser des gants de cuisine pour retirer le contenant intérieur ou la grille de la rôtissoire ; ou pour sortir un moule à gâteau ou des aliments cuits du contenant intérieur.
4. Pour protéger contre le risque de choc électrique, ne pas immerger la base de la rôtissoire, le cordon ou la fiche dans l'eau ou autre liquide.
5. Une bonne surveillance est nécessaire pour tout appareil utilisé par des enfants ou près d'eux.
6. Débrancher l'appareil de la prise de courant électrique lorsqu'il n'est pas utilisé et avant un nettoyage. Le laisser refroidir avant d'y placer ou d'y enlever des pièces et avant un nettoyage.
7. Ne pas faire fonctionner un appareil électroménager avec une fiche ou un cordon endommagé, ou lorsque l'appareil ne fonctionne pas bien ou a été échappé ou endommagé d'une manière quelconque. Composer notre numéro de service aux clients, sans frais d'interurbain, pour des renseignements concernant l'examen, la réparation ou l'ajustement.
8. L'utilisation d'accessoires non recommandés par le fabricant de l'appareil ménager peut causer des blessures.
9. Ne pas utiliser à l'extérieur.
10. Ne pas laisser le cordon pendre du bord d'une table ou d'un comptoir, ni toucher des surfaces chaudes, y compris la cuisinière.
11. Pour déconnecter, tourner la commande de température sur « Off », puis débrancher la fiche de la prise murale.
12. Ne pas placer l'appareil sur ou près d'un brûleur à gaz chaud, ou d'un élément électrique, ou dans un four chauffé.
13. Une grande précaution doit être prise lors de l'utilisation d'un appareil électroménager contenant de l'huile chaude ou autres liquides chauds.
14. **ATTENTION** : La vapeur s'échappant de dessous le couvercle est chaude et peut causer des brûlures.
15. Ne pas utiliser sans le plat amovible conçu spécialement pour ce modèle.
16. Ne pas utiliser cet appareil pour faire fondre de la cire ou pour tout autre usage non alimentaire.
17. Veiller à ce que les matériaux inflammables tels que les rideaux, tentures, murs, armoires, dossierers, etc. ne touchent aucune partie de la rôtissoire durant son utilisation.
18. **Ne pas utiliser l'appareil électroménager à une fin autre que l'utilisation prévue.**

CONSERVEZ CES INSTRUCTIONS !

Autres renseignements de sécurité aux consommateurs

Cette rôtissoire n'est pas destinée à un usage commercial, professionnel ou industriel. Elle est conçue uniquement pour la cuisson d'aliments. Elle ne doit pas être utilisée pour faire fondre de la cire. Cet appareil est conçu, fabriqué et destiné à l'usage ménager seulement.

Cet appareil est muni d'une fiche polarisée. Ce type de fiche présente une broche plus large que l'autre. Par mesure de sécurité, la fiche ne peut être introduite dans une prise que dans un sens seulement. Il s'agit d'une caractéristique de sécurité visant à réduire le risque de choc électrique. Si la fiche ne peut pas être insérée dans la prise, la tourner dans l'autre sens. Si elle ne peut toujours pas être insérée dans la prise, contacter un électricien pour qu'il remplace la prise défectueuse. Ne pas essayer de contourner l'objectif de sécurité de la fiche polarisée

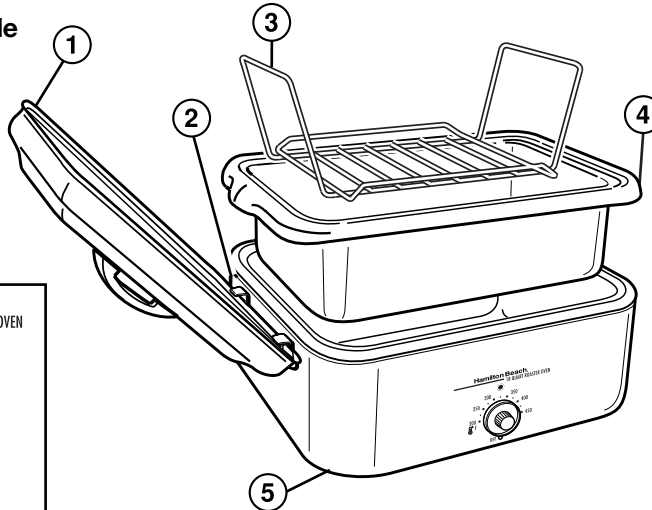
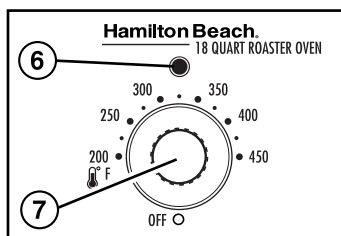
en la modifiant de quelque manière que ce soit.

La longueur du cordon de cet appareil a été choisie de façon à ce que l'on ne risque pas de trébucher dessus. Si un cordon plus long est nécessaire, utiliser une rallonge appropriée. Le calibrage de la rallonge doit être le même que celui de l'appareil ou supérieur. Lorsqu'on utilise une rallonge, s'assurer qu'elle ne traverse pas la zone de travail, que des enfants ne puissent pas tirer dessus par inadvertance et qu'on ne puisse pas trébucher dessus.

VEUILLEZ LIRE CE LIVRET ! LA RÔTISSOIRE CUIT CERTAINS ALIMENTS PLUS RAPIDEMENT QU'UN FOUR CONVENTIONNEL.

Pièces et caractéristiques

1. Couvercle
2. Supports de couvercle
3. Grille
4. Plat amovible de 18 pintes
5. Base
6. Indicateur lumineux
7. Commande de température



Utilisation de la rôtissoire

AVANT L'UTILISATION INITIALE : Laver le plat, la grille, et le couvercle. Lors de l'utilisation initiale de la rôtissoire, on remarquera peut-être de la fumée et une odeur. On ne devrait pas percevoir de fumée ou d'odeur après le premier chauffage de la rôtissoire.

Conseils à propos de la rôtissoire

- Le plat amovible doit toujours être utilisé lors de la cuisson dans la rôtissoire. Si l'on prépare de grandes quantités de soupes ou de ragoûts, le plat amovible peut être utilisé comme plat de cuisson dans la base de la rôtissoire. Il peut également servir de grande rôtissoire dans la base.
- Ne pas utiliser le plat amovible comme plat de cuisson au four ou cocotte pour les gâteaux, pains ou mets en sauce. Un plat distinct doit être placé dans le plat amovible lors de la cuisson de ces aliments.
- La plupart des plats en verre réfractaire conviennent à la rôtissoire. Avant de remplir le plat, le mettre dans le plat amovible pour s'assurer qu'il convient.
- Les plats pour la cuisson doivent être placés sur la grille pour une circulation maximale de la chaleur. Si nécessaire, la grille peut être retirée pour accommoder un grand plat ou deux plats dans la rôtissoire.

Dimensions des plats!

Les plats de tailles suivantes conviennent à la rôtissoire :

- Un plat de cuisson de 9 x 13 po ou une plaque à rôtir de 10 x 14 po
 - Deux moules à pain de 9 x 5 po ou 8 x 4 po
 - Un moule à cheminée
- Avant de faire cuire ou de rôtir dans la rôtissoire, s'assurer que le plat que vous prévoyez d'utiliser conviendra en le plaçant dans le plat amovible.
- Les sacs de rôtissage au four en papier d'aluminium peuvent être utilisés dans la rôtissoire. Nous ne recommandons pas d'utiliser des sacs plastique de rôtissage au four dans la rôtissoire.
 - Ne pas enlever le couvercle de la rôtissoire inutilement. Enlever le couvercle laisse la chaleur s'échapper et affecte la température de la rôtissoire.
 - L'indicateur lumineux s'allume et s'éteint pendant la cuisson pour maintenir la température réglée.

Mode d'emploi

Remarques !

- Le plat amovible doit toujours être placé dans la rôtissoire lors de la cuisson.
 - Si la recette demande un four préchauffé, régler la commande à la température désirée. Le témoin lumineux rouge s'éteint lorsque le four atteint la température réglée.
1. S'assurer que la commande de température est tournée sur OFF. Brancher le cordon dans une prise de 120 V CA.
 2. Enlever la grille. Laisser le plat amovible dans la rôtissoire.
 3. Régler la température tel que désiré et laisser préchauffer 15 minutes.
 4. Placer la nourriture à faire cuire dans une grille (ou directement dans le plat amovible). Placer dans la rôtissoire et remettre en place le couvercle.
 5. Une fois la cuisson terminée, enlever le couvercle. Avec des gants de cuisine, sortir prudemment les aliments au moyen de la grille.
 6. Tourner la commande de température sur OFF, puis débrancher la rôtissoire.

Rôtissage au four

Rôtissage de viandes et volailles

- Nous recommandons l'utilisation d'un thermomètre à viande pour assurer une cuisson parfaite des rôtis et de la volaille à chaque fois. Si on utilise un thermomètre à viande, la viande ou la volaille doit être retirée de la rôtissoire lorsque la température indiquée par le thermomètre est de 5 à 10° en-dessous de la température désirée. La température interne continuera de s'élever une fois la viande retirée de la rôtissoire.

- La plupart des jambons vendus de nos jours sont étiquetés « Faire cuire avant de manger » ou « Entièrement cuit ». Le jambon étiqueté « Faire cuire avant de manger » a été fumé ou salaisonné, mais n'a PAS été cuit. On doit faire cuire ce jambon entièrement jusqu'à une température interne de 155 à 160°F. Le jambon « Entièrement cuit » a été fumé ou salaisonné et cuit. Il n'est pas nécessaire de faire cuire ce jambon, mais porter sa température à 140°F améliorera sa saveur.
- La rôtissoire cuit les dindes en moins de temps que les fours conventionnels. Une dinde non farcie de 14 à 18 livres cuira en environ 2½ heures. Une dinde cuite dans une rôtissoire est humide et juteuse, mais ne brunit pas. Si on désire une dinde brunie, utiliser la sauce à brunir pour dinde dans la section « Recettes ».
- Le Tableau de rôtissage donne les durées de cuisson pour les pièces de viande tendres habituellement rôties à sec. Ces rôtis proviennent des côtes ou de la surlonge. Pour attendrir les pièces provenant de la cuisse (jambon) ou de l'épaule/bas de palette, faire cuire dans le liquide pendant une période plus longue.
- Les durées indiquées sont approximatives et ne doivent servir qu'à titre indicatif. Les pièces de viande individuelles et les préférences personnelles peuvent nécessiter des durées de rôtissage plus longues ou plus courtes.

Tableau de rôtissage

ALIMENT	POIDS	TEMPÉRATURE DU THERMOMÈTRE À VIANDE	DURÉE DE CUISSON (à 325°F)
Dinde entière	14 à 18 lb	180°F	2 à 3 heures
Poitrine de dinde	5 à 7 lb	180°F	1½ heure
Poulet	6 à 8 lb	180°F	1½ heure
Rôti de bœuf	5 à 7 lb	160°F (à point)	2½ heures
Rôti de porc frais	5 à 7 lb	160°F (à point)	2 heures
Épaule pique-nique de jambon (entièrement cuite)	7 à 10 lb	140°F	2 à 3 heures
Jambon entier (entièrement cuit)	15 à 18 lb	140°F	2 à 3 heures

Cuisson au four

La rôtissoire peut cuire vos gâteaux, tartes, pains ou mets en sauce favoris comme un four conventionnel. Les plats doivent être placés sur la grille pour la meilleure circulation de la chaleur. L'utilisation de la grille est aussi recommandée pour la commodité

de sortir les plats chauds de la rôtissoire. Ne pas ôter le couvercle de la rôtissoire inutilement. Ôter le couvercle laisse la chaleur s'échapper et affecte la température de la rôtissoire.

Étuvage

Préchauffer la rôtissoire à 450°F. Pour cuire à la vapeur dans la rôtissoire, il vous faudra une passoire en acier inoxydable. Placer la grille dans le plat amovible. Placer le plat amovible dans la rôtissoire. Verser une pinte d'eau bouillante dans le plat amovible.

Placer les aliments à faire cuire à la vapeur dans la passoire et placer la passoire dans le plat amovible. Couvrir et cuire à la vapeur pendant les durées ci-dessous ou jusqu'au degré de cuisson désiré.

ALIMENT À FAIRE CUIRE À LA VAPEUR	DURÉE DE CUISSON
2 têtes de choux-fleurs coupées	10 minutes
2 branches de brocoli coupées	10 minutes
2 livres de crevettes	10 minutes

Réchauffage de petits pains, biscuits, etc.

Préchauffer la rôtissoire à 250°F. Vous aurez besoin de deux petits contenants allant au four pour contenir l'eau. Les boîtes de conserve vides et lavées conviennent parfaitement. Remplir les boîtes aux deux tiers d'eau chaude et

les placer dans les coins opposés du plat amovible. Empiler les petits pains, biscuits ou crêpes dans le plat amovible. Ne pas les laisser toucher les côtés du plat. Couvrir et garder au chaud pendant 1 heure.

Cuisson en quantité

La plat amovible peut servir pour la cuisson ou le réchauffage de grandes quantités, environ 4 gallons. Il peut servir pour faire mijoter les sauces, soupes ou ragoûts, ou simplement pour faire chauffer ou réchauffer de grandes quantités. Lors de la cuisson ou de réchauffage de soupes ou de ragoûts dans la rôtissoire, remuer occasionnellement pour un réchauffage plus rapide et uniforme.

Par exemple, régler la commande de température sur 400°F et la rôtissoire réchauffera une soupe aux légumes et au boeuf d'une température réfrigérée à une température de service en environ deux heures. Pour faire cuire des soupes, ragoûts ou sauces, régler la commande de température sur 225°F et prévoir 4 à 8 heures de mijotage selon la recette.

Nettoyage de la rôtissoire

1. Tourner la commande de température sur OFF. Débrancher la rôtissoire de la prise et la laisser refroidir.
2. Laver le couvercle la grille et le plat amovible dans de l'eau chaude savonneuse. Pour enlever les aliments brûlés sur la surface, faire tremper, puis frotter avec un tampon de récurage en nylon. Rincer à l'eau chaude, puis sécher.
3. Essuyer l'intérieur de la base de la rôtissoire avec un linge humide.
4. Essuyer l'extérieur de la rôtissoire avec un linge humide savonneux, puis sécher.

REMARQUE : Ne pas laver la base de la rôtissoire dans le lave-vaisselle.

Recettes - Hors-d'œuvre

À moins d'indication contraire, préchauffer la rôtissoire 15 minutes à la température demandée dans la recette.

Si la recette nécessite l'utilisation d'une casserole ou d'un moule, enlever la grille de la rôtissoire. Préchauffer à la température désirée. Mettre la casserole ou le moule sur la grille, puis mettre les deux ensemble dans la rôtissoire. Cuire selon les instructions de la recette. La grille permet de mettre et de retirer plus facilement la casserole ou le moule dans la rôtissoire chaude.

Boulettes de viande

5 lb de boulettes de viande précuites surgelées	Bocal de 12 oz de gelée de groseilles
Bocal de 12 oz de gelée de raisin	Bouteille de 12 oz de sauce chili
	Bouteille de 12 oz de sauce cocktail

Laisser les boulettes de viande décongeler pendant la nuit au réfrigérateur. Placer les boulettes dans le plat amovible. Dans un grand bol à mélanger, battre ensemble les gelées et sauces. Les verser sur les boulettes. Cuire à 250°F pendant 2 heures ou jusqu'à ce qu'elles soient bien chauffées.

Trempe de crabe et brie cuite au four

1 c. à soupe d'huile végétale	1 lb. de chair de crabe
1 c. à soupe d'ail émincé	Paquet de 10 oz d'épinards hachés congelés, décongelés et pressés pour en extraire l'eau
4 oignons verts, hachés finement (inclure la moitié des feuilles vertes)	Bocal de 6 oz de coeurs d'artichauts, égouttés et hachés
8 oz de brie	1 c. à soupe de moutarde préparée
8 oz de fromage à la crème, à la température de la pièce	
1 tasse de lait	

Dans une grande poêle, sauter l'ail et l'oignon à feu moyen jusqu'à ce que l'oignon soit ramolli. Enlever toute croûte du brie et le couper en morceaux de ½ po. Ajouter à la poêle. Couper le fromage à la crème en dés et l'ajouter à la poêle avec le lait. Cuire et remuer jusqu'à ce que les fromages soient fondus. Retirer du feu et verser dans le bol à mélanger. Examiner la chair de crabe et ôter tout morceau de carapace. Ajouter les épinards, coeurs d'artichaut, le crabe et la moutarde. Mélanger en remuant doucement, puis transférer à la cuiller dans un plat peu profond graissé de 2 pintes ou dans une cocotte. Placer dans la rôtissoire et cuire à 425°F pendant 15 à 20 minutes ou jusqu'à un léger brunissement. Servir avec des craquelins ou des tranches de baguette rôties. **Donne 8 portions de hors-d'œuvre.**

20

Plats principaux

Dinde rôtie rapide

La rôtissoire cuit une dinde en environ la moitié du temps d'un four ordinaire, mais utiliser un thermomètre à viande pour s'assurer que la dinde est cuite complètement. La rôtissoire NE brunit PAS la dinde. La condensation qui dégoutte constamment du couvercle de la rôtissoire empêche la dinde de brunir, mais produit une dinde humide et juteuse.

Dinde fraîche ou décongelée de 14 à 18 lb	1 c. à thé de sel
1 oignon, coupé en deux	½ c. à thé de poivre
2 branches de céleri	¼ de tasse de beurre, fondu

Sortir la grille de levage. Verser ½ tasse d'eau dans le plat amovible, couvrir et préchauffer à 325°F. Ôter les abattis et le cou de la cavité de la dinde. Mettre de côté pour la sauce aux abattis. Rincer l'extérieur et l'intérieur de la dinde à l'eau froide. Placer l'oignon et le céleri dans la cavité. Frotter l'extérieur avec du sel et du poivre. Placer sur la grille. Badigeonner toute la dinde avec le beurre. Placer dans la rôtissoire. Couvrir et cuire à 325°F pendant 2 à 2½ heures. Vérifier la mesure du thermomètre à viande. Continuer la cuisson jusqu'à ce que le thermomètre indique 180°F.

Sauce à brunir pour dinde

Pour rôtir une dinde avec une peau brune, utiliser la recette suivante avant la cuisson :

¼ de tasse de margarine ou beurre fondu
1½ c. à thé de sauce à brunir, comme Kitchen Bouquet
1 c. à thé de paprika

Laver la dinde à l'eau froide. L'assécher en tapotant. Badigeonner la dinde avec le mélange à brunir et cuire selon les instructions.

Jambon entier cuit

Jambon fumé de 15 lb entièrement cuit	½ tasse de jus d'orange
2 tasses d'eau	1 tasse de cassonade
½ tasse de miel	

Réduire la partie épaisse de gras du jambon à ¼ po. Inciser la couche de gras qui reste en losanges ; ceci aidera à retenir le glaçage. Placer le jambon sur la grille, puis dans la rôtissoire. Verser 2 tasses d'eau dans le plat amovible. Couvrir et rôtir à 325°F pendant une heure. Combiner le reste des ingrédients pour le glaçage. Ôter le couvercle et verser la moitié du glaçage sur le jambon avec une cuillère. Couvrir et cuire une heure de plus. Ôter le couvercle et verser le reste du glaçage sur le jambon avec une cuillère. Remettre le couvercle, augmenter la température à 400°F et cuire pendant 10 minutes pour fixer le glaçage.

Barbecue de porc de la Caroline du Nord

Rôti de soc de porc de 10 à 12 lb	1 c. à soupe de poivre noir
2 btes de 28 oz de tomates entières	2 c. à soupe de sel
1½ tasse de vinaigre	3 c. à soupe de sucre
½ tasse de sauce Worcestershire	1-2 c. à soupe de poivre de Cayenne
½ tasse d'eau	broyé

Placer le porc dans le plat amovible. Dans un grand bol à mélanger, combiner le reste des ingrédients. Mélanger en remuant et briser les tomates entières. Verser le mélange de tomate et vinaigre sur le porc. Couvrir et rôtir à 250°F. Cuire pendant 5 heures ou jusqu'à ce que la viande se détache de l'os. Ôter la viande et la trancher ou l'émincer. Mettre en purée le reste de la sauce dans lequel le porc a cuit. Servir sur de petits pains avec de la sauce et de la salade de chou.

Donne 24 portions.

Chili

2 c. à soupe d'huile	1 c. à soupe d'ail émincé
2 lb de bas de palette de boeuf, coupée en petits morceaux	4 c. à soupe poudre de chili
1 lb de saucisses italiennes épicées, sorties des boyaux	2 c. à soupe de cumin moulu
1 lb de saucisses italiennes douces, sorties des boyaux	1 c. à thé de poivre noir
2 gros oignons, hachés	2 btes (16 oz) de haricots rouges
1 gros poivron vert, épépiné et haché	1 bte de 28 oz de tomates en dés, non égouttées
4 c. à soupe de piment jalapeno en boîte, tranché (environ la moitié d'une bte de 4 oz)	1 bte de 12 oz de purée de tomate
	2 btes de 15 oz de bouillon de poulet

Régler le cadran de la température à 400°F. Faire chauffer l'huile dans le plat amovible. Ajouter le boeuf et la saucisse et cuire environ 20 minutes. Ajouter les oignons, le poivron, le piment et l'ail, et cuire 5 minutes. Ajouter le reste des ingrédients en remuant. Réduire la température à 275°F. Couvrir et cuire pendant 2 heures, en remuant au bout d'une heure. **Donne 5 pintes.**

Poulet rôti glacé à la moutarde au miel

Poulet à rôtir de 6 à 7 lb	½ tasse de miel
½ c. à thé de sel	3 c. à soupe de moutarde préparée
¼ c. à thé de poivre	

Ôter les abattis de la cavité et les utiliser pour la sauce aux abattis, si désiré. Rincer le poulet à l'eau froide. Le sécher en tapotant. Saupoudrer de sel et de poivre. Dans un petit bol, combiner le miel et la moutarde. Badigeonner le poulet avec la moitié du mélange. Placer le poulet sur la grille, puis dans la rôtissoire. Couvrir et rôtir à 350°F pendant 1 heure. Badigeonner avec le reste du mélange à glacer. Continuer de faire cuire pendant 45 minutes ou jusqu'à cuisson complète.

Filet de bœuf entier

- 1 filet de bœuf entier, 7 à 9 lb
- 2 c. à thé chacune de : origan, basilic, thym et sel
- 1 c. à thé chacune de : poivre de Cayenne, poivre noir, poudre de chili, et poudre d'oignon

Enlever la majeure partie du gras couvrant le filet. Replier l'extrémité mince et plate du filet vers le milieu et l'attacher avec de la ficelle de cuisine pour que le rôti cuise plus uniformément. Combiner tous les assaisonnements et les frotter sur le rôti. Placer le rôti sur la grille et la grille dans la rôtissoire. Couvrir et rôti à 400°F pendant 1½ heure avant de retirer le couvercle pour vérifier avec un thermomètre à viande. Cuire jusqu'à une température interne de 140°F pour une viande saignante.

Donne : 14 à 20 portions.

Crevettes au fromage bleu

- | | |
|---|---------------------------------------|
| 4 oz de fromage bleu, émietté | 1 gousse d'ail, émincée |
| 8 oz de fromage à la crème,
coupé en dés | ⅓ de tasse de vin blanc* |
| 1 c. à soupe de ciboulette fraîche,
hachée | 2 lb de crevettes crues, décortiquées |
| 1 c. à soupe de persil frais, haché | Riz ou pâtes cuits |

Dans un bol à mélanger moyen, combiner le fromage bleu, le fromage à la crème, la ciboulette, le persil, l'ail et le vin. Battre jusqu'à obtenir une consistance homogène. Incorporer les crevettes à la main. Verser dans un plat peu profond graissé de 2 pintes. Cuire à 400°F pendant 20 minutes ou jusqu'à ce que le mélange bouillonne et que les crevettes soient à point. Le mélange sera sirupeux. Servir sur des pâtes ou du riz chauds. **Donne 6 portions.**

* On peut substituer ¼ de tasse de soda au gingembre + 1 c. à soupe de jus de citron au vin.

Plats d'accompagnement

Riz assaisonné

- 8 tasses de riz blanc ordinaire ou étuvé (cru, c.-à-d. non cuit)
- 2 c. à soupe d'oignon séché émincé
- 8 tasses de bouillon de bœuf ou de poulet
- 8 tasses d'eau bouillante
- ½ tasse de margarine ou de beurre, fondu

Sortir le plat amovible de la rôtissoire. Préchauffer la rôtissoire à 350°F. Placer tous les ingrédients dans le plat amovible. Mélanger en remuant. Placer le plat amovible dans la rôtissoire. Couvrir et cuire à 350°F pendant 1½ h.

Donne 30 portions.

Pommes de terre au four

10 lb de pommes de terre au four

Laver les pommes de terre et les nettoyer à la brosse. Percer toutes les pommes de terre plusieurs fois. Les empiler dans la rôtissoire de manière à ce qu'elles ne touchent pas les côtés du plat amovible. Cuire à 400°F pendant 1 heure, ou jusqu'à ce qu'elles soient bien cuites. Vérifier la cuisson en perçant avec une fourchette.

“Fèves au lard” à la mode du Sud

1 lb boeuf haché maigre	1 bte de 16 oz de haricots rouges
1 enveloppe de mélange sec de soupe à l'oignon	$\frac{3}{4}$ tasse de ketchup
2 btes de 16 oz de “fèves au lard”	2 c. à soupe de moutarde préparée
	1 c. à soupe de vinaigre

Ne pas égoutter les fèves. Dans une grande poêle, faire brunir le boeuf haché jusqu'à ce qu'il soit bien cuit. Jeter la graisse. Placer le boeuf haché bruni, le mélange à soupe, les fèves au lard, les haricots rouges, le ketchup, la moutarde et le vinaigre dans une cocotte de 3 pintes. Bien mélanger. Placer dans la rôtissoire et cuire à 350°F pendant 35 à 45 minutes. **Donne 10 portions.**

Pouding de maïs

$\frac{1}{4}$ tasse de beurre, fondu	3 tasses de lait
$\frac{1}{4}$ tasse de farine	6 oeufs
6 c. à soupe de sucre	2 btes de 16 oz de grains de maïs entiers, égouttés
2 c. à thé de sel	
$\frac{1}{2}$ c. à thé de poivre	

Verser le beurre dans un plat de cuisson de 9 x 13 po. Pencher le plat pour enduire le fond et les côtés. Dans un petit bol, combiner la farine, le sucre, le sel et le poivre. Mettre de côté. Dans un grand bol à mélanger, battre ensemble le lait et les oeufs. Y remuer le maïs. Saupoudrer le mélange de sucre et farine sur le mélange de maïs, puis mélanger en remuant. Verser dans le plat préparé. Placer dans la rôtissoire et cuire à 350°F pendant 35 à 45 minutes ou jusqu'à ce que le mets soit pris. **Donne 10 à 12 portions.**

Pommes de terre en crème

4 lb de pommes de terre blanches, 1½ c. à thé de sel
 environ 15 pommes de terre moyennes ¼ c. à thé de poivre
 3 tasses de crème fleurette 4 c. à soupe de beurre
 3 c. à soupe d'oignon émincé finement

Nettoyer les pommes de terre en les brossant, mais ne pas les peler. Les mettre dans une grande casserole et les couvrir d'eau. Porter à ébullition à feu vif. Réduire à mijotage et cuire jusqu'à cuisson complète, environ 45 minutes. Les réfrigérer jusqu'au lendemain. Râper les pommes de terre. Il n'est pas nécessaire de les peler. Placer les pommes de terre râpées, la crème fleurette, l'oignon, le sel et le poivre dans un grand bol et remuer en mélangeant. Mettre le beurre dans un plat de cuisson de 9 x 13 po et faire tourner le plat pour l'enduire. Y mettre le mélange de pommes de terre avec une cuiller. Placer dans la rôtissoire et cuire à 375°F pendant 1 heure. **Donne 10 portions.**

Pain de maïs au cheddar et à l'oignon

¼ tasse de beurre 1 tasse de lait
 1½ tasse d'oignon haché 2 paq. de 8 oz de mélange pour
 Contenant de 8 oz de crème sure muffin au maïs
 1½ tasse de fromage cheddar Bte de 15 oz de maïs en crème
 râpé, divisé 3 gouttes de sauce au poivre forte
 2 oeufs

Dans une poêle, faire sauter les oignons dans du beurre à feu moyen jusqu'à ce qu'ils soient ramollis. Les transférer dans un bol à mélanger moyen et laisser refroidir. Y mélanger la crème sure et une tasse de cheddar. Mettre de côté.

Dans un autre bol, battre les oeufs. Ajouter le lait, le mélange à muffin, le maïs en crème et la sauce au poivre. Remuer jusqu'à ce que les ingrédients soient mélangés. Étendre la pâte dans un plat de cuisson graissé de 9 x 13 po. Mettre des cuillerées du mélange de crème sure sur la pâte. Saupoudrer le tout de fromage. Placer dans la rôtissoire et cuire à 425°F pendant 30 à 35 minutes. Laisser reposer pendant 5 minutes avant de couper.

Desserts

Pain d'épice avec sauce au citron

Pain d'épice

½ tasse de beurre, ramolli	½ c. à thé de bicarbonate de soude
1 tasse de cassonade	⅛ c. à thé de sel
2 oeufs	1 c. à soupe de gingembre moulu
1 tasse de lait	¼ c. à thé de cannelle
1 tasse de mélasse	¼ c. à thé de clous de girofle moulus
2½ tasses de farine	¼ c. à thé de muscade

Graisser un moule de 9 x 13 po. Dans un grand bol, mettre en crème le beurre et le sucre. Ajouter les oeufs et bien mélanger. Ajouter le lait et la mélasse et bien mélanger. Ajouter la farine, le bicarbonate de soude, le sel, le gingembre, la cannelle, les clous de girofle moulus et la muscade. Bien battre. Verser le mélange dans le plat graissé. Placer dans la rôtissoire et cuire de 35 à 40 minutes à 350°F jusqu'à ce que le pain d'épice commence à se détacher légèrement des côtés du moule.

Sauce au citron

2 c. à soupe d'amidon de maïs	1 tasse d'eau chaude
½ tasse de sucre	2 c. à soupe de beurre
⅛ c. à thé de sel	Jus et zeste de 1 citron râpé

Dans une casserole moyenne, combiner l'amidon, le sucre et le sel. Y mélanger l'eau chaude. Cuire à feu moyen-élevé, en remuant constamment jusqu'à ce que le mélange bouillonne et épaississe légèrement. Y remuer le beurre, le jus et le zeste de citron râpé, et bien mélanger jusqu'à ce que le beurre soit fondu. Servir la sauce tiède ou froide sur le pain d'épice. **Donne 1½ tasse.**

Carrés au citron

1 tasse de beurre	½ tasse de farine
½ tasse de sucre	1 c. à thé de poudre levante
2 tasses de farine	4 c. à soupe de jus de citron
4 oeufs	2 c. à soupe de jus de limette
2 tasses de sucre	Zeste de 1 citron râpé
½ c. à thé de vanille	(partie jaune de la pelure)

Mettre le beurre et le sucre dans un bol à mélanger et battre jusqu'à obtenir une consistance uniforme. Ajouter la farine et mélanger jusqu'à ce que le mélange soit friable. Presser le mélange dans le fond d'un moule de 9 x 13 po. Placer dans la rôtissoire et cuire à 350°F pendant 20 minutes ou jusqu'à ce que les bords brunissent. Entre-temps, dans le même bol (il n'est pas nécessaire de le laver), battre les oeufs. Ajouter lentement le sucre, puis la vanille, la farine, la poudre levante, les jus et le zeste. Une fois que la croûte est cuite, verser le mélange d'oeufs sur la croûte. Remettre au four et cuire 20 à 25 minutes de plus ou jusqu'à ce qu'elle soit prise. Laisser refroidir dans le plat, puis couper en carrés.

Le parfait gâteau au fromage

Il vous faut un moule à charnière pour cette recette, mais les gâteaux au fromage sont faciles à préparer. La rôtissoire cuit le gâteau au fromage dans une chaleur douce en l'entourant d'eau comme le font les professionnels.

Beurre	1½ tasse de sucre
½ tasse de craquelins Graham émiettés	5 oeufs
6 paq. de 8 oz de fromage à la crème, à la température de la pièce	1 c. à thé de vanille
	1 c. à soupe de jus de citron

Beurrer généreusement le fond et les côtés d'un moule à charnière de 9½ po. Saupoudrer les miettes uniformément sur le fond du moule. Dans un grand bol à mélanger, battre le fromage à la crème jusqu'à obtenir une consistance homogène. Ajouter le sucre et continuer de battre jusqu'à obtenir une consistance homogène. Ajouter les oeufs, bien battre après chacun. Y mélanger la vanille et le jus de citron. Verser dans le moule à charnière préparé. Couvrir le moule à charnière de papier d'aluminium. (Ceci empêche la condensation dans la rôtissoire de dégoutter sur le gâteau). Verser 3 pintes d'eau chaude dans le plat amovible. Placer le moule à charnière sur la grille, puis dans la rôtissoire. Couvrir et cuire à 325°F pendant 1½ h. Sortir soigneusement et laisser refroidir, puis réfrigérer complètement avant de servir. **Donne 16 à 20 portions.**

Gâteau aux pommes

1 tasse de sucre	1 c. à thé de bicarbonate de soude
1 tasse de cassonade dorée	1 c. à thé de sel
1½ tasse d'huile végétale	½ c. à thé de cannelle
3 oeufs	½ c. à thé de muscade
2 c. à thé d'extrait de vanille	2 tasses de pommes hachées finement
3 tasses de farine	1 tasse de pacanes hachées

Préchauffer la rôtissoire à 325°F. Dans un grand bol à mélanger, battre ensemble les sucres, l'huile, les oeufs et la vanille. Ajouter la farine, le bicarbonate de soude, le sel, la cannelle et la muscade. Bien mélanger. Y remuer les pommes et les pacanes. Verser dans un moule à cheminée graissé de 10 à 12 tasses. Placer dans la rôtissoire et cuire 1 heure ou jusqu'à ce qu'un cure-dents inséré au centre sorte propre. Laisser refroidir dans le moule pendant 5 minutes, puis renverser sur une grille pour refroidir.

Soufflé au moka

6 oz de chocolat mi-sucré	1 tasse de beurre
2 oz de chocolat non sucré	1 c. à soupe de café instantané
OU	8 oeufs, séparés
8 oz de chocolat aigre-doux	¼ c. à thé de sel
	1 tasse de sucre
	1 c. à thé de vanille

Dans un bain-marie ou une casserole épaisse, faire fondre le chocolat, le beurre et le café instantané à feu doux. Mettre de côté. Dans un bol à mélanger, battre les blancs d'œufs et le sel jusqu'à ce que les blancs soient en neige. Mettre de côté. Dans un bol à mélanger, fouetter les jaunes d'œufs. Ajouter un peu de chocolat fondu aux jaunes d'œufs, puis fouetter rapidement, ajouter le reste du chocolat aux jaunes d'œufs. Y remuer le sucre et la vanille. Ajouter quelques grandes cuillerées de blancs d'œufs au chocolat. Incorporer. Ajouter le reste des blancs d'œufs et incorporer jusqu'à l'obtention d'un mélange. Beurrer généreusement un moule à cheminée de 10 po, puis le saupoudrer généreusement de sucre. Y verser le mélange au chocolat. Placer dans la rôtissoire et cuire à 300°F pendant 2 heures. Le soufflé lèvera, puis baissera durant la cuisson. Le sortir du four et le laisser reposer dans le moule pendant 5 minutes. Le renverser sur une assiette de service. Il est préférable de le servir chaud avec de la crème fouettée ou de la crème glacée.

Aliments pour petit déjeuner

Œufs cuits au four

1½ tasse de lait	½ c. à thé de poivre
3 douzaines d'œufs	¼ tasse de beurre fondu
1 c. à thé de sel	

Dans un grand bol, battre le lait, les œufs, le sel et le poivre avec un batteur. Verser le beurre fondu dans un plat de cuisson de 9 x 13 po et le pencher pour enduire le fond et les côtés. Verser le mélange d'œufs dans le plat. Placer dans la rôtissoire et cuire les œufs à 400°F pendant 30 minutes, en remuant et en grattant les côtés du plat avec une spatule en caoutchouc toutes les 10 minutes pour assurer une cuisson uniforme. **Donne 15 portions.**

Brioches collantes

⅔ tasse de pacanes hachées finement	¼ tasse de beurre, fondu
1 sac de 1 lb et 9 oz de pâte à brioches congelée	½ tasse de cassonade
4 c. à soupe + 1 c. à thé de mélange à pouding au caramel à cuire et servir, (la moitié d'une bte de 3,5 oz)	1 c. à thé de cannelle

Graisser un moule à cheminée de 10 po. Saupoudrer les pacanes dans le fond du moule. Placer les brioches congelées dans le moule. Saupoudrer avec le mélange à pouding. Verser le beurre fondu sur les brioches. Combiner la cassonade et la cannelle et saupoudrer sur les brioches. Couvrir avec du papier ciré et laisser reposer à la température de la pièce pendant la nuit. Le matin, enlever le papier ciré, placer dans la rôtissoire et cuire à 350°F pendant 20 à 30 minutes. Sortir de la rôtissoire et placer immédiatement une assiette sur le dessus du moule. Utiliser des gants de cuisine et renverser le moule pour sortir les brioches collantes.

Service aux clients

Si vous avez une question au sujet de votre rôtissoire, composer notre numéro sans frais d'interurbain de service aux clients. Avant de faire un appel, veuillez noter le modèle, le type et les numéros de série, et fournir ces renseignements ci-dessous. Ces numéros se trouvent à la base de la rôtissoire. Ces renseignements nous aideront à répondre beaucoup plus vite à toute question.

MODÈLE : _____ **TYPE :** _____ **SÉRIE :** _____

Cette garantie s'applique aux produits achetés aux É.-U. ou au Canada.

GARANTIE LIMITÉE

Ce produit est garanti être exempt de vices de matériau et de fabrication pendant une période de deux (2) ans pour les produits Portfolio de Hamilton Beach, de un (1) an pour les produits Hamilton Beach ou cent quatre-vingts (180) jours pour les produits Proctor-Silex à partir de la date de l'achat original, excepté ce qui est noté ci-dessous. Au cours de cette période, nous réparerons ou remplacerons ce produit sans frais, à notre discrétion. LA GARANTIE CI-DESSUS REMPLACE TOUTE AUTRE GARANTIE EXPRESSE OU IMPLICITE, ÉCRITE OU ORALE, Y COMPRIS TOUTE GARANTIE DE QUALITÉ MARCHANDE OU DE CONFORMITÉ À UNE FIN PARTICULIÈRE. TOUTE RESPONSABILITÉ EST EXPRESSÉMENT LIMITÉE À UN MONTANT ÉGAL AU PRIX D'ACHAT PAYÉ ET TOUTES LES RÉCLAMATIONS POUR DOMMAGES SPÉCIAUX ET INDIRECTS SONT PAR LES PRÉSENTES EXCLUES. La garantie ne s'applique pas aux accessoires suivants qui pourraient être vendus avec ce produit : pièces en verre, récipients en verre, couteau/tamis, lames et/ou agitateurs. Cette garantie ne s'applique qu'à l'acheteur d'origine et ne couvre pas un vice causé par l'abus, le mésusage, la négligence, l'usage à des fins commerciales ou tout autre usage non prescrit dans le mode d'emploi. Cette garantie vous confère des droits juridiques spécifiques et vous pouvez aussi jouir d'autres droits juridiques qui peuvent varier d'un État à un autre ou d'une province à une autre. Certains États ou provinces ne permettent pas les limitations sur les garanties implicites ou les dommages spéciaux ou indirects de telle sorte que les limitations ci-dessus ne s'appliquent peut-être pas dans votre cas.

Si vous désirez procéder à une réclamation en vertu de cette garantie, NE RETOURNEZ PAS L'APPAREIL AU MAGASIN! Veuillez téléphoner au NUMÉRO DU SERVICE À LA CLIENTÈLE. (Pour un service plus rapide, ayez à portée de la main les numéros de série et de modèle et de type de votre appareil lorsque vous communiquez avec un représentant.)

NUMÉROS DU SERVICE À LA CLIENTÈLE

Aux États-Unis 1-800-851-8900

Au Canada 1-800-267-2826

www.hamiltonbeach.com ou www.proctorsilex.com

CONSERVEZ CES NUMÉROS POUR CONSULTATION ULTÉRIEURE!

SALVAGUARDIAS IMPORTANTES

Cuando use aparatos eléctricos, es importante seguir todas las precauciones de seguridad que incluyen lo siguiente:

1. Lea todas las instrucciones.
2. Verifique que el voltaje de su instalación corresponda con el del producto.
3. No toque superficies calientes. Use las manijas o las perillas.
4. Use guantes de cocina para sacar la asadera de inserción del horno asador o rejilla; o para sacar una asadera o alimentos cocidos de la asadera de inserción.
5. Para protegerse contra el riesgo de choque eléctrico, no sumerja la base del asador, el cordón ni el enchufe en agua ni en ningún otro líquido.
6. Es necesario mantener una supervisión estricta cuando aparatos eléctricos sean usados por niños o en presencia de niños.
7. Desenchúfelo del tomacorriente cuando no lo esté usando y antes de la limpieza. Deje que se enfríe antes de colocar o sacar alguna pieza, y antes de limpiarlo.
8. No opere ningún aparato electrodoméstico si el cordón o el enchufe están averiados, después de un mal funcionamiento del aparato, o si éste se ha caído o averiado de alguna forma. Llame a nuestro número gratuito de servicio al cliente, para obtener información sobre el examen, la reparación o la regulación del aparato.
9. No lo use al aire libre.
10. El uso de accesorios no recomendados por el fabricante del aparato puede causar lesiones.
11. No deje que el cordón cuelgue sobre el borde de una mesa o de un mostrador, o que toque alguna superficie caliente, incluyendo la superficie de una cocina.
12. Para desconectar, coloque el control en la posición apagada Off/O y luego saque el enchufe del tomacorriente.
13. No coloque el aparato sobre o cerca de una fuente de gas caliente o de un quemador eléctrico, ni dentro de un horno caliente.
14. Es importante tener extremo cuidado cuando se mueva un aparato electrodoméstico que contenga aceite caliente u otros líquidos calientes.
15. **PRECAUCIÓN:** El vapor que se escapa desde la parte inferior de la tapa es caliente y puede causar quemaduras.
16. No lo use sin la bandeja de inserción especialmente diseñada para este modelo.
17. No use el aparato para derretir cera ni para cualquier otra aplicación no relacionada con alimentos.
18. No permita que materiales inflamables como cortinas, colgaduras, paredes, armarios, placas posteriores y otras superficies toquen ninguna parte del horno asador mientras esté funcionando.
19. No use el aparato electrodoméstico para ningún otro fin que no sea el indicado.

¡GUARDE ESTAS INSTRUCCIONES!

Otra información para la seguridad del consumidor

No use este horno asador en aplicaciones de tipo comercial, profesional o industrial. Este horno asador ha sido diseñado solamente para cocinar alimentos. No se debe usar para derretir cera. Este aparato ha sido diseñado, construido y se debe usar para aplicaciones domésticas solamente.

Este aparato podría estar equipado con un enchufe polarizado. Este tipo de enchufe tiene una clavija más ancha que la otra. Este tipo de enchufe encajará en un tomacorriente de una sola manera. Esta es una propiedad de seguridad destinada a reducir el riesgo de choque eléctrico. Si no puede introducir el enchufe en el tomacorriente, trate de invertir el enchufe. Si aún no encaja, comuníquese con un electricista competente para cambiar el tomacorriente obsoleto. No trate de hacer caso omiso del

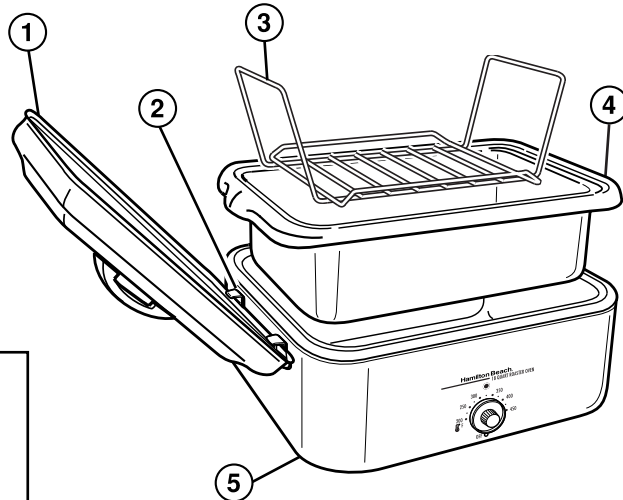
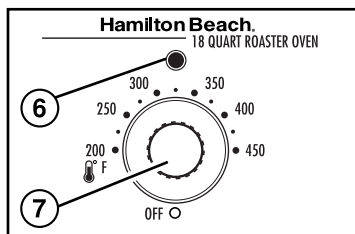
propósito de seguridad de la clavija de tierra modificando el enchufe de alguna manera.

El largo del cordón que se usa en este aparato fue seleccionado para reducir el peligro de que alguien se enganche o tropiece con un cordón más largo. Si se necesita un cordón más largo, se puede usar un cordón de alargue aprobado.

**¡ES IMPORTANTE LEER ESTE MANUAL!
EL HORNO ASADOR COCINA
ALGUNOS PRODUCTOS CON MÁS
RAPIDEZ QUE UN HORNO
CONVENCIONAL.**

Piezas y características

1. Tapa
2. Sujetadores de la tapa
3. Rejilla
4. Asadera de inserción desmontable de 18 cuartos
5. Base
6. Luz indicadora
7. Control de temperatura



Modelos:	Tipo:	Características Eléctricas:		
32180	RO07	120 V~	60 Hz	1450 W
32181	RO07	120 V~	60 Hz	1450 W
32182	RO07	120 V~	60 Hz	1450 W
32183	RO07	120 V~	60 Hz	1450 W

El uso de su horno asador

Antes de usar: Lave la asadera de inserción, la rejilla y la tapa antes de usarlo. Durante el primer uso del horno asador, es posible que se observe un poco de humo y olor. El humo y el olor no deberán ocurrir después de la primera vez que se caliente el horno.

Consejos sobre su horno asador

- Siempre se debe usar la asadera de inserción cuando se cocine en el horno asador. Si se cocina una gran cantidad de sopa o guisado, se puede usar la asadera de inserción como asadera común en la base del asador. También se puede usar como asadera grande común en la base del asador.
- No use la asadera de inserción como asadera común o cacerola para pasteles, panes o guisados. Cuando se cocine este tipo de comida, se deberá colocar una asadera separada en la asadera de inserción.
- La mayoría de las cacerolas de vidrio resistentes al calor encajan bien en el horno asador. Coloque la cacerola en la asadera de inserción antes de llenarla para asegurarse de que encaje.
- Las asaderas comunes y cacerolas deben colocarse sobre la rejilla para permitir que el calor circule mejor. Si es necesario, se puede sacar la rejilla para adaptar una asadera más grande o dos cacerolas en el horno asador.

- Antes de hornear o de asar en el horno asador, coloque la asadera o cacerola que tenga planeado usar en la asadera de inserción para asegurarse de que encaje debidamente.
- Se pueden usar bolsas de aluminio para asar en el horno asador. No recomendamos el uso de bolsas de plástico para asar en el horno asador.
- No saque la tapa del horno asador a menos que sea necesario. Si se saca la tapa, se permite que el calor escape, afectando la temperatura del horno asador.
- La luz indicadora pasará por el ciclo de encendido y apagado cuando el horno se esté calentando para mantener la temperatura determinada.

¡Tamaños de las asaderas!

A continuación indicamos los tamaños de asaderas que encajarán en el horno asador

- Una asadera de 9 x 13 pulgadas o una fuente de horno de 10 x 14 pulgadas.
- Dos moldes para pan de 9x 5 u 8 x 4 pulgadas.
- Una tortera con tubo o para Bundt

Cómo se usa

¡Notas!

- La asadera de inserción siempre debe estar colocada en la base del asador cuando se esté cocinando.
- Si la receta indica que se debe calentar el horno con anticipación, gradúe a la temperatura deseada. La luz indicadora roja se apagará cuando el horno haya alcanzado la temperatura graduada.

1. Asegúrese de que el control de temperatura esté en la posición apagada. Enchufe el cordón en un tomacorriente de 120 voltios CA.
2. Saque la rejilla. Deje la asadera de inserción en el horno asador.
3. Gradúe la temperatura al nivel deseado y deje que se caliente por 15 minutos.
4. Coloque la comida que se cocinará en una asadera sobre la rejilla (o directamente en la asadera de inserción). Luego coloque la rejilla en el horno y vuelva a tapar.
5. Cuando termine de cocinar, saque la tapa. Con guantes de cocina, saque la comida usando la rejilla.
6. Coloque el control de temperatura en la posición apagada y desenchufe el horno asador.

Cómo asar

Cómo asar carne de res y de pollo

- Recomendamos el uso de un termómetro para carne para que la carne o el pollo asado siempre estén perfectamente cocidos. Si usa un termómetro para carne, se deberá sacar la carne o el pollo del horno asador cuando el termómetro haya alcanzado una temperatura de 5 a 10 grados inferior a la temperatura deseada. La temperatura interna continuará aumentando después de haber sacado la carne del horno asador.
- La mayoría de los jamones que se venden en la actualidad, tienen una etiqueta de dice “Cocinar antes de Comer” o “Totalmente cocido”. El jamón con una etiqueta de “Cocinar antes de Comer” ha sido ahumado o curado pero NO cocido. Ese jamón se debe cocinar bien a una temperatura interna de entre 155 y 160°F. Los jamones “Totalmente cocidos” han sido ahumados o curados y también cocidos. El jamón no requiere más cocción, pero si se calienta a 140°F, eso mejorará su sabor.
- El horno asador cocina pavos en menos tiempo que los hornos convencionales. Un pavo sin relleno de 14 a 18 libras de peso se cocinará en aproximadamente 2 horas y media. Un pavo cocido en el horno asador queda jugoso y no seco, pero no dorado. Si desea un pavo con piel dorada, use la Salsa para dorar Pavos en la sección de “Recetas”.
- La Tabla de Asado indica los tiempos de cocción para cortes tiernos de carne de res que generalmente se asan en seco. Estos cortes son de la zona de las costillas o del lomo. Para suavizar los cortes de la nalga (jamón) o de la paleta o corte delantero, se deberán cocinar en líquido por un período más largo de tiempo.
- Los tiempos indicados son aproximados y se deben usar solamente como guía general. Los cortes individuales de carne de res y las preferencias personales dictarán tiempos de asado más largos o más cortos.

Tabla de asado

Comida	Peso	Temperatura del termómetro para carne	Tiempo de cocción (a 325°F)
Pavo entero	14-18 lbs	180°F	2 a 3 horas
Pechuga de pavo	5-7 lbs	180°F	1½ horas
Pollo al horno	6-8 lbs	180°F	1½ horas
Carne al horno	5-7 lbs	160°F (mediano)	2½ horas
Cerdo asado	5-7 lbs	160°F (mediano)	2 horas
Paleta de Jamón (totalmente cocido)	7-10 lbs	140°F	2 a 3 horas
Jamón entero (totalmente cocido)	15-18 lbs	140°F	2 a 3 horas

Para hornear

El horno asador puede hornear sus pasteles, pais, panes o guisados favoritos como un horno convencional. Las asaderas y las fuentes se deben colocar sobre la rejilla para hacer circular mejor el calor. También se recomienda el uso de la rejilla por con-

veniencia para sacar las fuentes y las asaderas calientes del horno asador.

No saque la tapa del horno asador a menos que sea necesario. Si se saca la tapa, se permite que el calor escape, afectando la temperatura del horno asador.

Para cocinar al vapor

Caliente el horno asador a 450°F. Para cocinar al vapor en el horno asador, se necesitará un colador de acero inoxidable. Coloque la rejilla en la asadera de inserción. Coloque la asadera de inserción en el horno asador. Vierta 1 cuarto de agua hirviendo en la asadera de inserción. Coloque la comida que

desea cocinar al vapor en el colador y coloque el colador en la asadera de inserción. Cubra y cocine al vapor según los tiempos que se indican a continuación o hasta que se haya obtenido la cocción deseada.

Productos que se desea cocinar al vapor	Cantidad de tiempo
2 cabezas de coliflor, cortadas	10 minutos
2 ramilletes de brócoli, cortados	10 minutos
2 libras de camarones	10 minutos

Para calentar panecillos, etc.

Precalente el horno asador a 250°F. Necesitará dos envases refractarios pequeños para el agua. Latas de comida vaciadas y lavadas son una perfecta solución. Llene dos tercios de las latas con agua caliente y colóquelas en esquinas opuestas de la asadera de

inserción. Coloque los panecillos o panqueques apilados en el horno de inserción. No deje que toquen los costados de la asadera. Cubra y manténgalos calientes hasta por una hora.

Para cocinar en cantidades

La asadera de inserción se puede usar como utensilio grande de cocción cuando se cocinen o se calienten cantidades grandes, de unos 4 galones. Se puede usar para hervir salsas, sopas o guisados a fuego lento, o simplemente para calentar o entibiar cantidades grandes. Cuando cocine o caliente sopas o guisados en el horno asador, revuelva ocasionalmente para que se calienten en forma más uniforme y más rápida.

Por ejemplo, gradúe la temperatura a 400°F y el horno asador calentará sopa de carne con vegetales desde la temperatura de refrigeración a la temperatura para servirla en unas dos horas. Para cocinar sopas, guisados o salsas, gradúe la temperatura a 225°F y deje calentar a fuego lento entre 4 y 8 horas, según la receta.

Limpieza

1. Coloque el control de temperatura en la posición apagada. Desenchufe el horno asador del tomacorriente y deje que se enfríe.
 2. Lave la tapa, la rejilla y la asadera de inserción en agua caliente y jabonosa. Para eliminar la comida quemada que se haya pegado, deje en remojo, y luego frote con una esponjilla de nilón. Enjuague en agua caliente y luego seque.
 3. Lave el interior de la base del asador con un paño húmedo.
 4. Lave el exterior del horno asador con un paño húmedo y jabonoso y luego deje que se seque.
- NOTA:** Nunca sumerja la base del asador en agua ni en ningún otro líquido.

Hamilton Beach

Proctor Silex

Grupo HB PS, S.A. de C.V.
 Monte Elbruz No. 124 Int. 601
 Col. Palmitas Polanco
 México, D.F. C.P. 11560
 Tel. 52 82 31 05 y 52 82 31 06
 Fax. 52 82 3167

PÓLIZA DE GARANTÍA

PRODUCTO:		MARCA:	Hamilton Beach: <input type="checkbox"/> Proctor-Silex: <input type="checkbox"/>	MODELO:	
<p>Hamilton Beach/Proctor-Silex cuenta con una Red de Centros de Servicio Autorizada, por favor consulte en la lista anexa el nombre y dirección de los establecimientos en la República Mexicana en donde usted podrá hacer efectiva la garantía, obtener partes, componentes, consumibles y accesorios; así como también obtener servicio para productos fuera de garantía. Para mayor información llame sin costo: Centro de Atención al consumidor: 01 800 71 16 100</p>					
<p>Grupo HB PS, S.A. de C.V. le otorga a partir de la fecha de compra: GARANTÍA DE 1 AÑO.</p>					
COBERTURA					
<ul style="list-style-type: none"> • Esta garantía ampara, todas las piezas y componentes del producto que resulten con defecto de fabricación incluyendo la mano de obra. • Grupo HB PS, S.A. de C.V. se obliga a reemplazar, reparar o reponer, cualquier pieza o componente defectuoso; proporcionar la mano de obra necesaria para su diagnóstico y reparación, todo lo anterior sin costo adicional para el consumidor. • Esta garantía incluye los gastos de transportación del producto que deriven de su cumplimiento dentro de su red de servicio. 					
LIMITACIONES					
<ul style="list-style-type: none"> • Esta garantía no ampara el reemplazo de piezas deterioradas por uso o por desgaste normal, como son: cuchillas, vasos, jarras, filtros, etc. • Grupo HB PS, S.A. de C.V. no se hace responsable por los accidentes producidos a consecuencia de una instalación eléctrica defectuosa, ausencia de toma de tierra, clavija de enchufe en mal estado, etc. 					
EXCEPCIONES					
<p>Esta garantía no será efectiva en los siguientes casos:</p> <ol style="list-style-type: none"> a) Cuando el producto se hubiese utilizado en condiciones distintas a las normales. (Uso industrial, semi-industrial o comercial.) b) Cuando el producto no hubiese sido operado de acuerdo con el instructivo de uso. c) Cuando el producto hubiese sido alterado o reparado por personas no autorizadas por Grupo HB PS, S.A. de C.V. el fabricante nacional, importador o comercializador responsable respectivo. <p>El consumidor puede solicitar que se haga efectiva la garantía ante la propia casa comercial donde adquirió su producto, siempre y cuando Grupo HB PS, S.A. de C.V. no cuente con talleres de servicio.</p>					

PROCEDIMIENTO PARA HACER EFECTIVA LA GARANTÍA

- Para hacer efectiva la garantía no deben exigirse mayores requisitos que la presentación del producto y la póliza correspondiente, debidamente sellada por el establecimiento que lo vendió.
- Para hacer efectiva la garantía, lleve su aparato al Centro de Servicio Autorizado más cercano a su domicilio (consulte la lista anexa).
- Si no existe Centro de Servicio Autorizado en su localidad siga las siguientes instrucciones:
 1. Empaque su producto adecuadamente para que no se dañe durante el traslado.
 2. Anote claramente sus datos y los del Centro de Servicio al que está enviando el producto.
 3. No incluya partes sueltas ni accesorios para evitar su pérdida.
- El tiempo de reparación, en ningún caso será mayor de 30 días naturales contados a partir de la fecha de recepción del producto en nuestros Centros de Servicio Autorizados.
- En caso de que el producto haya sido reparado o sometido a mantenimiento y el mismo presente deficiencias imputables al autor de la reparación o del mantenimiento dentro de los treinta días naturales posteriores a la entrega del producto al consumidor, éste tendrá derecho a que sea reparado o mantenido de nuevo sin costo alguno. Si el plazo de la garantía es superior a los treinta días naturales, se estará a dicho plazo.
- El tiempo que duren las reparaciones efectuadas al amparo de la garantía no es computable dentro del plazo de la misma. Cuando el bien haya sido reparado se iniciará la garantía respecto de las piezas repuestas y continuará con relación al resto. En el caso de reposición del bien deberá renovarse el plazo de la garantía.

DÍA ___ MES ___ AÑO ___

Si desea hacer comentarios o sugerencias con respecto a nuestro servicio o tiene alguna queja derivada de la atención recibida en alguno de nuestros Centros de Servicio Autorizados, por favor dirigirse a:

GERENCIA INTERNACIONAL DE SERVICIO (DIMLSA)

Prof. Av. La Joya s/n. Esq. Av. San Antonio
Col. El Infiernillo C.P. 54878
Cuautitlán, Edo de México
Tel. (55) 58 99 62 42 • Fax. (55) 58 70 64 42
Centro de Atención al consumidor: 01 800 71 16 100

RED DE CENTROS DE SERVICIO AUTORIZADA GRUPO HB PS, S.A. DE C.V.

Distrito Federal

ELECTRODOMÉSTICOS
Av. Plutarco Elías Calles No. 1499
Zacahuitzco MEXICO 09490 D.F.
Tel: 01 55 5235 2323
Fax: 01 55 5243 1397

CASA GARCIA
Av. Patriotismo No. 875-B
Mixcoac MEXICO 03910 D.F.
Tel: 01 55 5563 8723
Fax: 01 55 5615 1856

Nuevo Leon

FERNANDO SEPULVEDA REFACCIONES
Ruperto Martínez No. 238 Ote.
Centro MONTERREY, 64000 N.L.
Tel: 01 81 8343 6700
Fax: 01 81 8344 0486

Jalisco

REF. ECONÓMICAS DE OCCIDENTE,
S.A. DE C.V.
Garibaldi No. 1450
Ladrón de Guevara
GUADALAJARA 44660 Jal.
Tel: 01 33 3825 3480
Fax: 01 33 3826 1914

Chihuahua

DISTRIBUIDORA TURMIX
Av. Paseo Triunfo de la Rep. No. 5289 Local 2 A.
Int. Hipermart
Alamos de San Lorenzo
CD. JUAREZ 32340 Chih.
Tel: 01 656 617 8030
Fax: 01 656 617 8030

HAMILTON BEACH ♦ PROCTOR-SILEX, INC.

263 Yadkin Road, Southern Pines, NC 28387

PROCTOR-SILEX CANADA, INC.

Picton, Ontario K0K 2T0

840128400

hamiltonbeach.com • proctorsilex.com
hamiltonbeach.com.mx • proctorsilex.com.mx

7/04

Free Manuals Download Website

<http://myh66.com>

<http://usermanuals.us>

<http://www.somanuals.com>

<http://www.4manuals.cc>

<http://www.manual-lib.com>

<http://www.404manual.com>

<http://www.luxmanual.com>

<http://aubethermostatmanual.com>

Golf course search by state

<http://golfingnear.com>

Email search by domain

<http://emailbydomain.com>

Auto manuals search

<http://auto.somanuals.com>

TV manuals search

<http://tv.somanuals.com>