

NOTE:
Please read all instructions
carefully before using this
product

Table of Contents

Safety Notice

Hardware Pack

Assembly Instruction

Parts List

Resistance Chart

Warranty

Ordering Parts

Model
EVE-1500

Retain This
Manual for
Reference

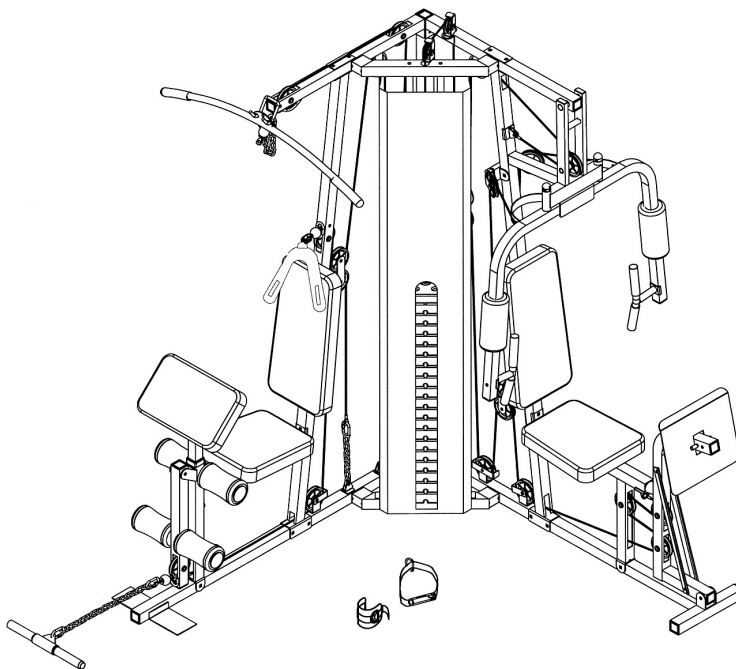
08-17-05

**OWNER'S
MANUAL**

EVERLAST[®]

Choice of Champions[®]

CORNER GYM EVE-1500



Made under license from trademark owner Everlast
Worldwide Inc., New York.

IMPEX INC.

14777 DON JULIAN RD., CITY OF INDUSTRY, CA 91746

Tel: (800) 999-8899 Fax: (626) 961-9966

www.impex-fitness.com

info@impex-fitness.com

TABLE OF CONTENTS

BEFORE YOU BEGIN.....	1
IMPORTANT SAFETY NOTICES.....	2
HARDWARE PACK.....	4
ASSEMBLY INSTRUCTIONS.....	7
PARTS LIST.....	28
RESISTANCE CHART.....	29
WARRANTY.....	30
ORDERING PARTS.....	30

BEFORE YOU BEGIN

Thank you for selecting the EVERLAST EVE-1500 CORNER GYM by IMPEX INC. For your safety and benefit, read this manual carefully before using the machine. As a manufacturer, we are committed to provide you complete customer satisfaction. If you have any questions, or find there are missing or damaged parts, we guarantee you complete satisfaction through direct assistance from our factory. To avoid unnecessary delays, *please call our TOO-FREE customer service number*. Our Customer Service Agents will provide immediate assistance to you.

Toll-Free Customer Service Number

1-800-999-8899

Mon. – Fri. 9 a.m. – 5 p.m. PST

www.impex-fitness.com

info@impex-fitness.com

IMPORTANT SAFETY NOTICE

PRECAUTIONS

This exercise machine is built for optimum safety. However, certain precautions apply whenever you operate a piece of exercise equipment. Be sure to read the entire manual before you assemble or operate your machine. In particular, note the following safety precautions:

1. **Keep children and pets away from the machine at all times. DO NOT leave children unattended in the same room with the machine.**
2. Only one person at a time should use the machine.
3. If the user experiences dizziness, nausea, chest pain, or any other abnormal symptoms, STOP the workout at once. CONSULT A PHYSICIAN IMMEDIATELY.
4. Position the machine on a clear, leveled surface. DO NOT use the machine near water or outdoors.
5. Keep hands away from all moving parts.
6. Always wear appropriate workout clothing when exercising. DO NOT wear robes or other clothing that could become caught in the machine. Running or aerobic shoes are also required when using the machine.
7. Use the machine only for its intended use as described in this manual. DO NOT use attachments not recommended by the manufacturer.
8. Do not place any sharp object around the machine.
9. Disabled person should not use the machine without a qualified person or physician in attendance.
10. Before using the machine to exercise, always do stretching exercises to properly warm up.
11. Never operate the machine if the machine is not functioning properly.

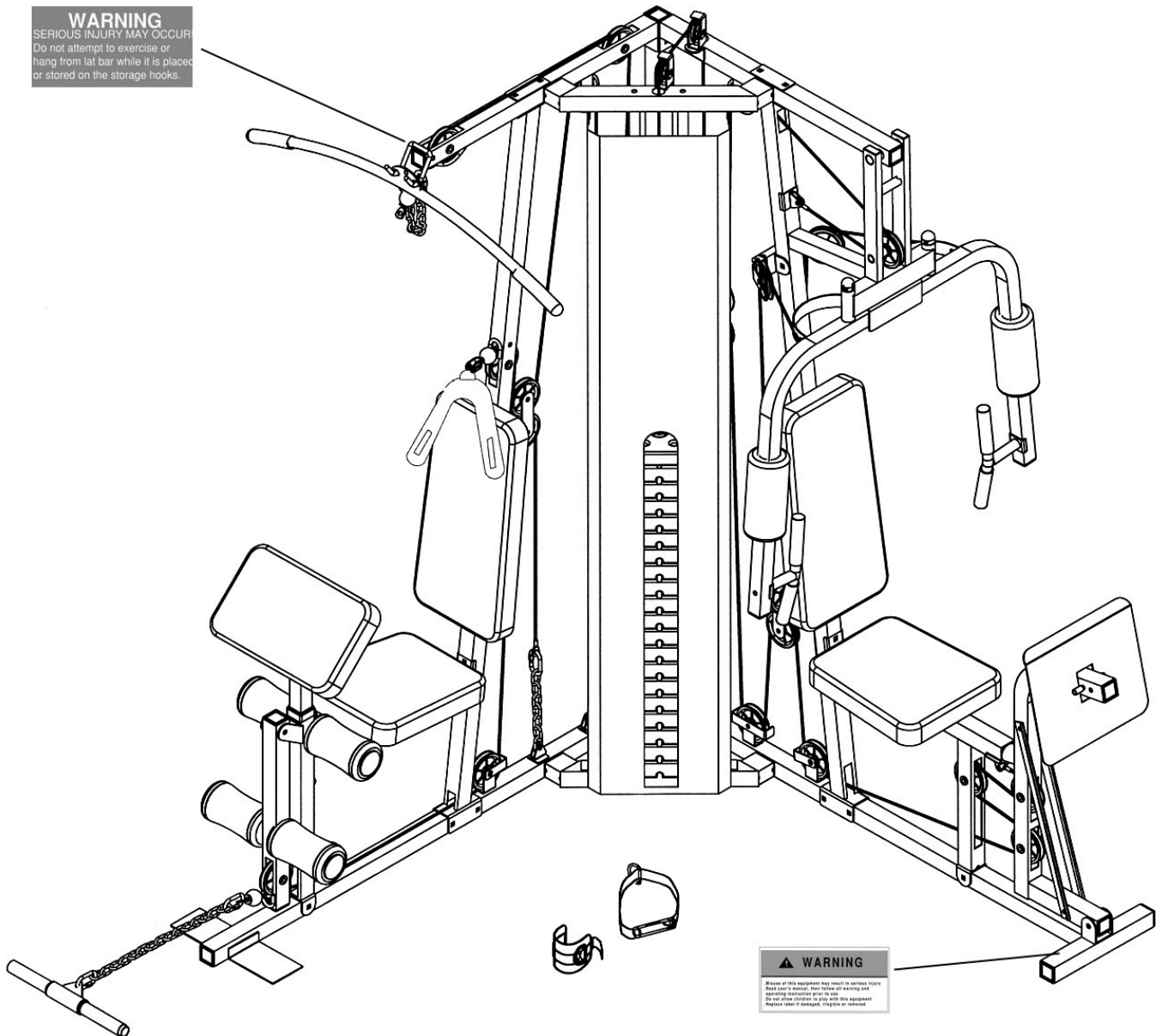
CARE AND MAINTENANCE

1. Lubricate moving parts with WD-40 or light oil periodically.
2. Inspect and tighten all parts before using the machine.
3. The machine can be cleaned using a damp cloth and mild non-abrasive detergent. DO NOT use solvents.
4. Maximum user's weight: 300 lbs.

WARNING: BEFORE BEGINNING ANY EXERCISE PROGRAM, CONSULT YOUR PHYSICIAN. THIS IS ESPECIALLY IMPORTANT FOR INDIVIDUALS OVER THE AGE OF 35 OR PERSONS WITH PRE-EXISTING HEALTH PROBLEMS. READ ALL INSTRUCTIONS BEFORE USING ANY FITNESS EQUIPMENT. IMPEX INC. ASSUMES NO RESPONSIBILITY FOR PERSONAL INJURY OR PROPERTY DAMAGE SUSTAINED BY OR THROUGH THE USE OF THIS PRODUCT.

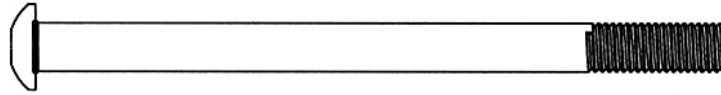
SAVE THESE INSTRUCTIONS.

WARNING LABEL REPLACEMENT

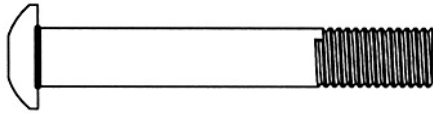


The warning labels shown here have been placed on the Left Base Frame and Right Upper Frame. If the labels are missing or illegible, please call customer service at 1-800-999-8899 for replacements. Apply the labels in location shown.

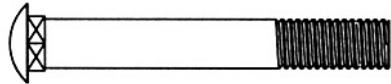
HARDWARE PACK



#86 M10 x 5 1/8" Allen Bolt (Qty 1)



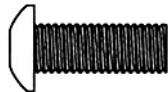
#79 M12 x 3" Allen Bolt (Qty 1)



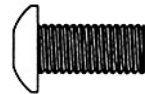
#87 M10 x 2 1/2" Carriage Bolt (Qty 19)



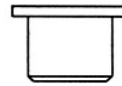
#92 M10 x 1 1/8" Allen Bolt (Qty 1)



#81 M10 x 1" Allen Bolt (Qty 4)



#80 M10 x 3/4" Allen Bolt (Qty 12)



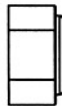
#78 Pulley Bushing (Qty 14)



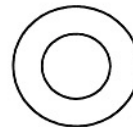
#96 M6 Aircraft Nut (Qty 2)



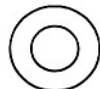
#97 M10 Aircraft Nut (Qty 56)



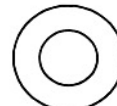
#98 M12 Aircraft Nut (Qty 1)



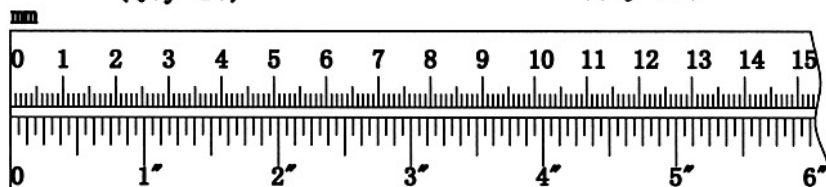
#95 Ø1" Washer (Qty 2)



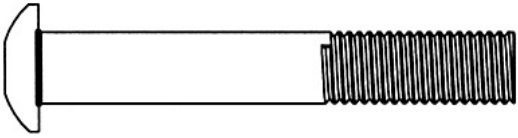
#93 Ø5/8" Washer (Qty 10)



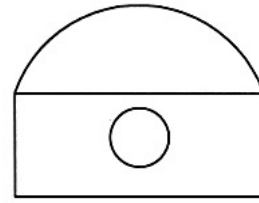
#94 Ø3/4" Washer (Qty 95)



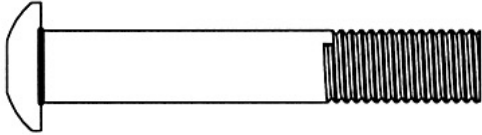
HARDWARE PACK



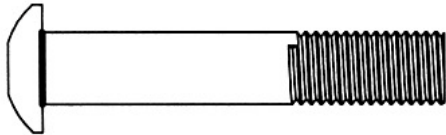
#85 M10 x 2 1/2" Allen Bolt (Qty 2)



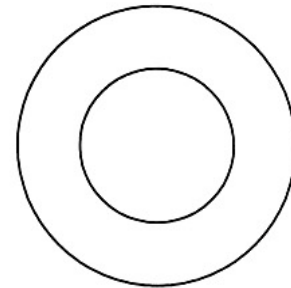
#65 Lock Ring (Qty 2)



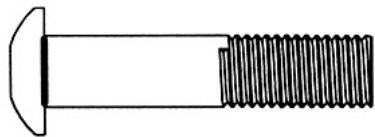
#84 M10 x 2 3/8" Allen Bolt (Qty 9)



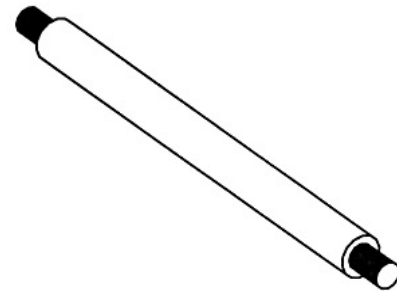
#83 M10 x 2 1/8" Allen Bolt (Qty 4)



#66 $\text{Ø}1\ 1/2"$ x $\text{Ø}3/4"$ Washer (Qty 2)

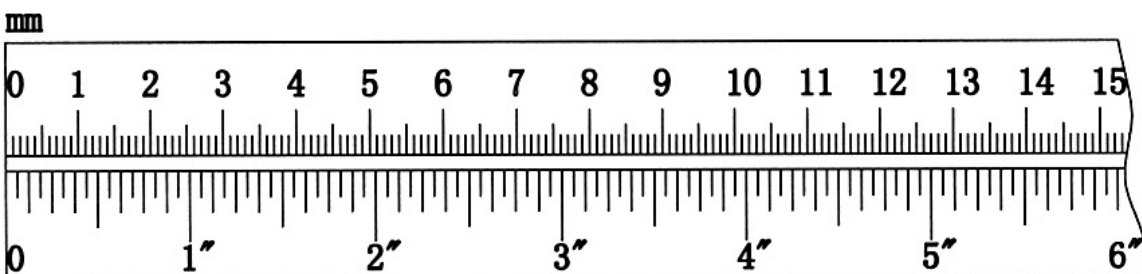


#82 M10 x 1 3/4" Allen Bolt (Qty 20)

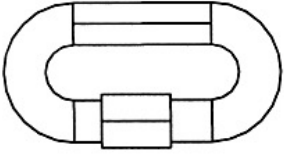


#89 M8 x 2 1/8" Allen Bolt (Qty 8)

#52 6" Axle (Qty 1)



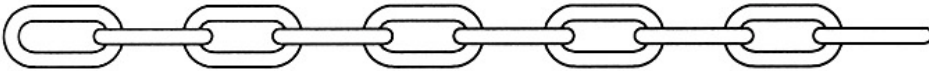
HARDWARE PACK



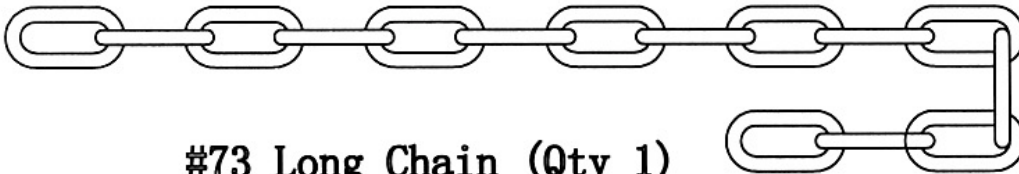
#75 C-clip (Qty 6)



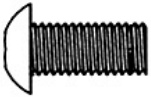
#51 2" Axle (Qty 1)



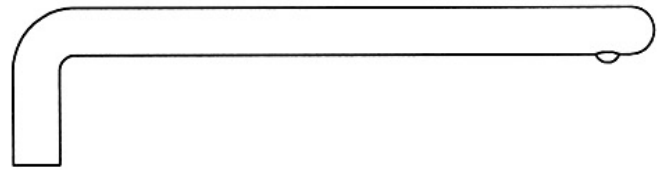
#74 Short Chain (Qty 2)



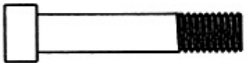
#73 Long Chain (Qty 1)



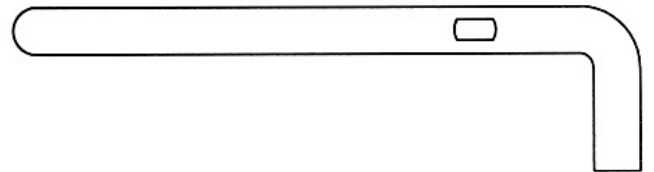
#88 M8 x 5/8" Allen Bolt (Qty 2)



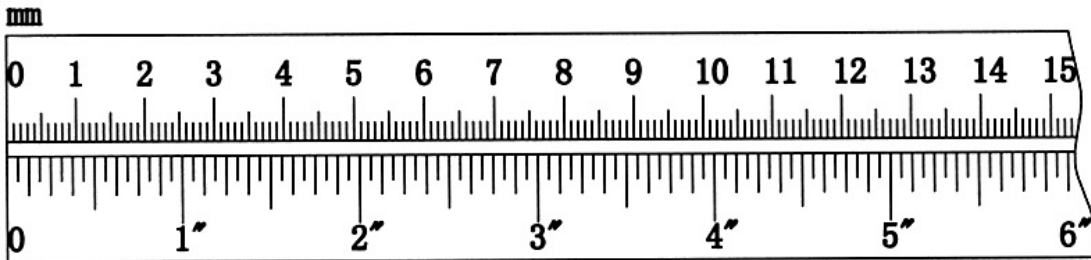
#49 Leg Press Lock Pin (Qty 1)



#90 M6 x 1 1/4" Allen Screw (Qty 2)



#50 Weight Selector Pin (Qty 1)



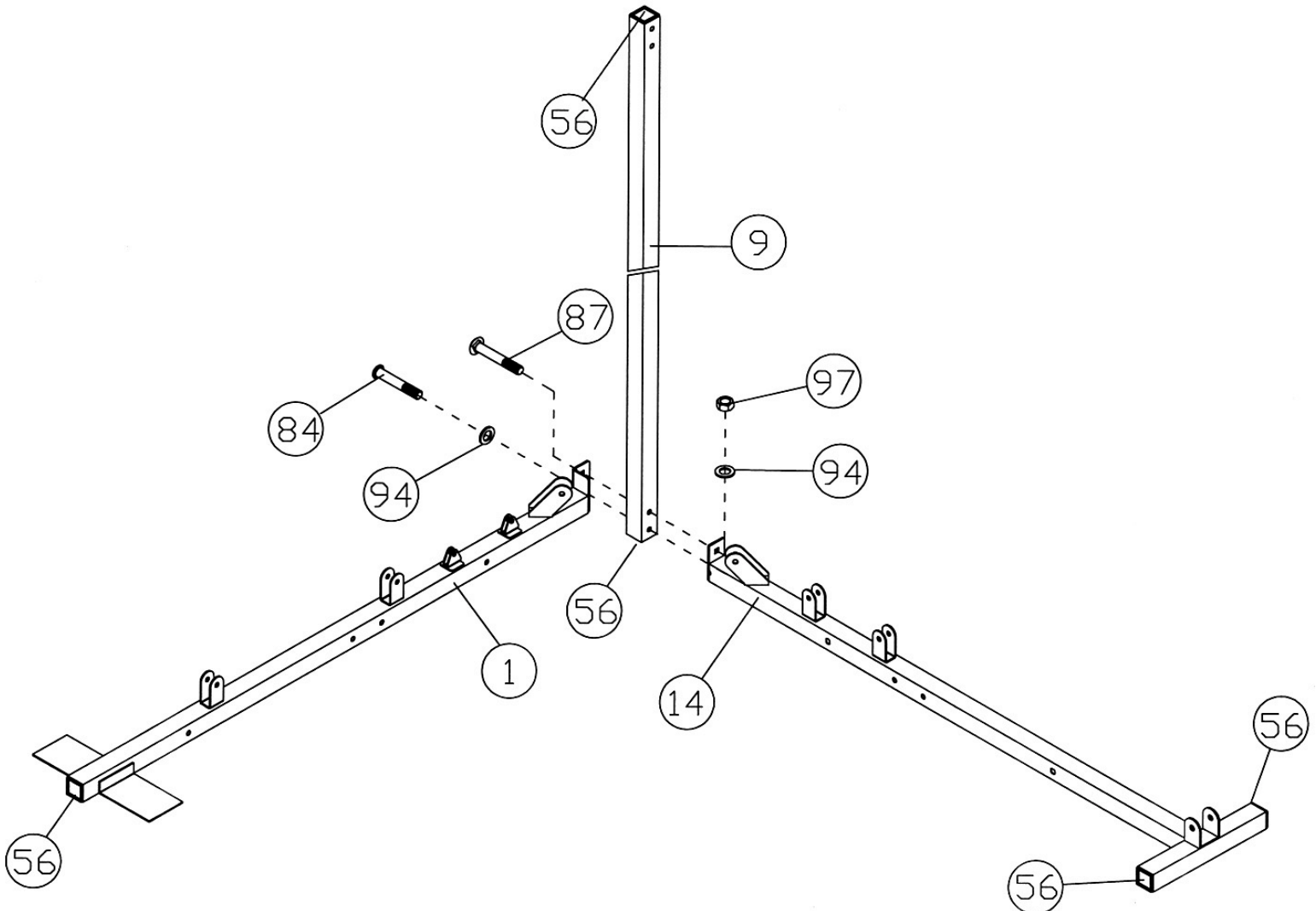
ASSEMBLY INSTRUCTION

Tools Required Assembling the Machine: Two Adjustable Wrenches and Allen Wrenches.
NOTE: It is strongly recommended two or more people assembling this machine to avoid possible injury.

STEP 1 (See Diagram 1)

- A.) Place the Right and Left Base Frames (#1 & #14) on a flat surface. Make sure there is enough space to assemble the machine.
- B.) Do not tighten the nuts and bolts until instructed to do so.
- C.) Attach the Left Base Frame (#14) and the Right Base Frame (#1) to the bottom of Rear Vertical Beam (#9). Align the holes and secure the upper hole with one M10 x 2 1/2" Carriage Bolt (#87), \varnothing 3/4" Washer (#94), and M10 Aircraft Nut (#97). Secure the lower hole with one M10 x 2 3/8" Allen Bolt (#84) and \varnothing 3/4" Washer (#94).

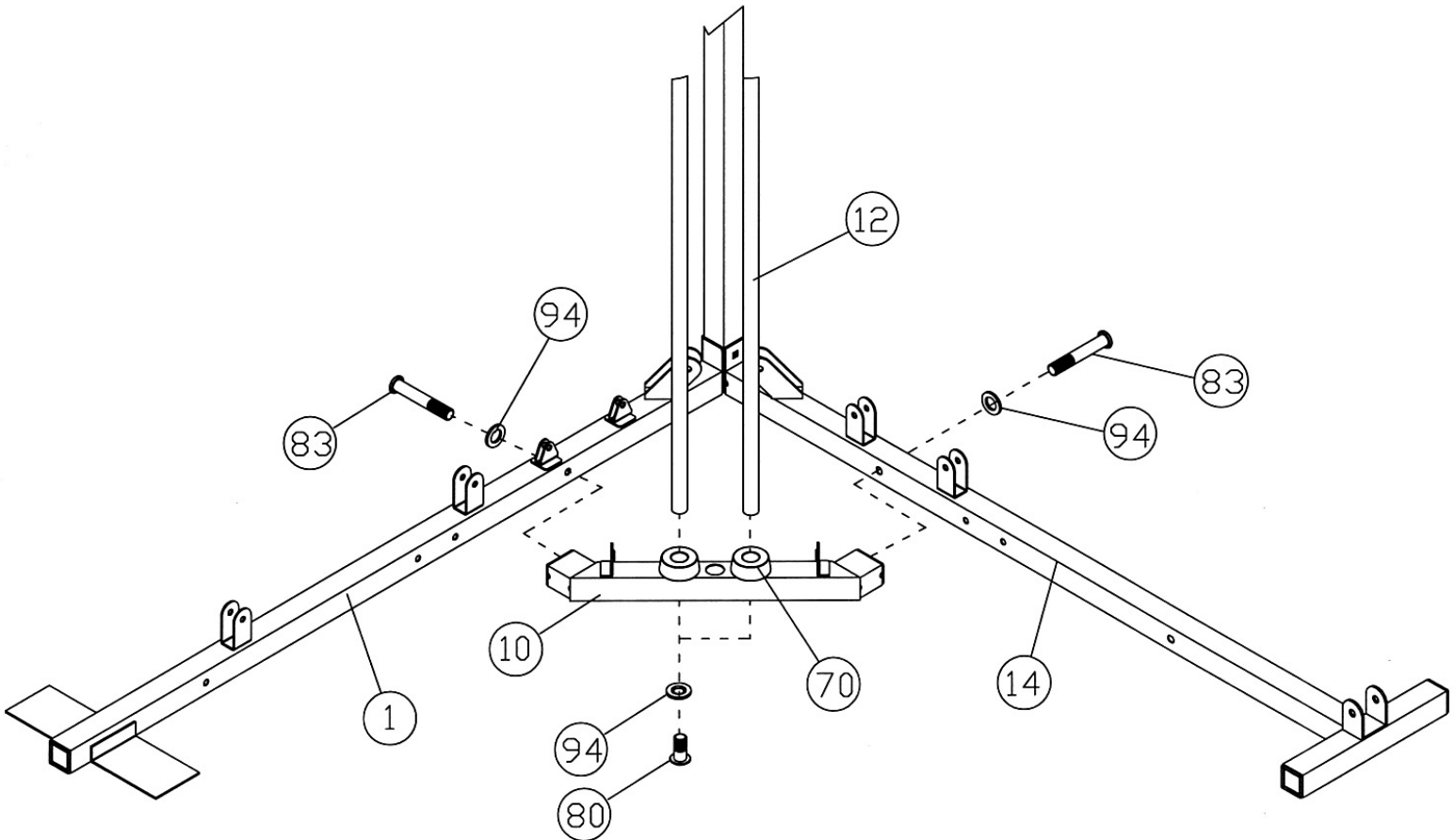
DIAGRAM 1



STEP 2 (See Diagram 2)

- A.) Insert two Guide Rods (#12) into the holes on the Guide Rod Base (#10). Secure each Guide Rod with one M10 x 3/4" Allen Bolt (#80) and Ø 3/4" Washer (#94) from the bottom.
- B.) Attach the Guide Rod Base to the Left and Right Base Frames (#1 & #14). Secure each side with one M10 x 2 1/8" Allen Bolt (#83) and Ø 3/4" Washer (#94).

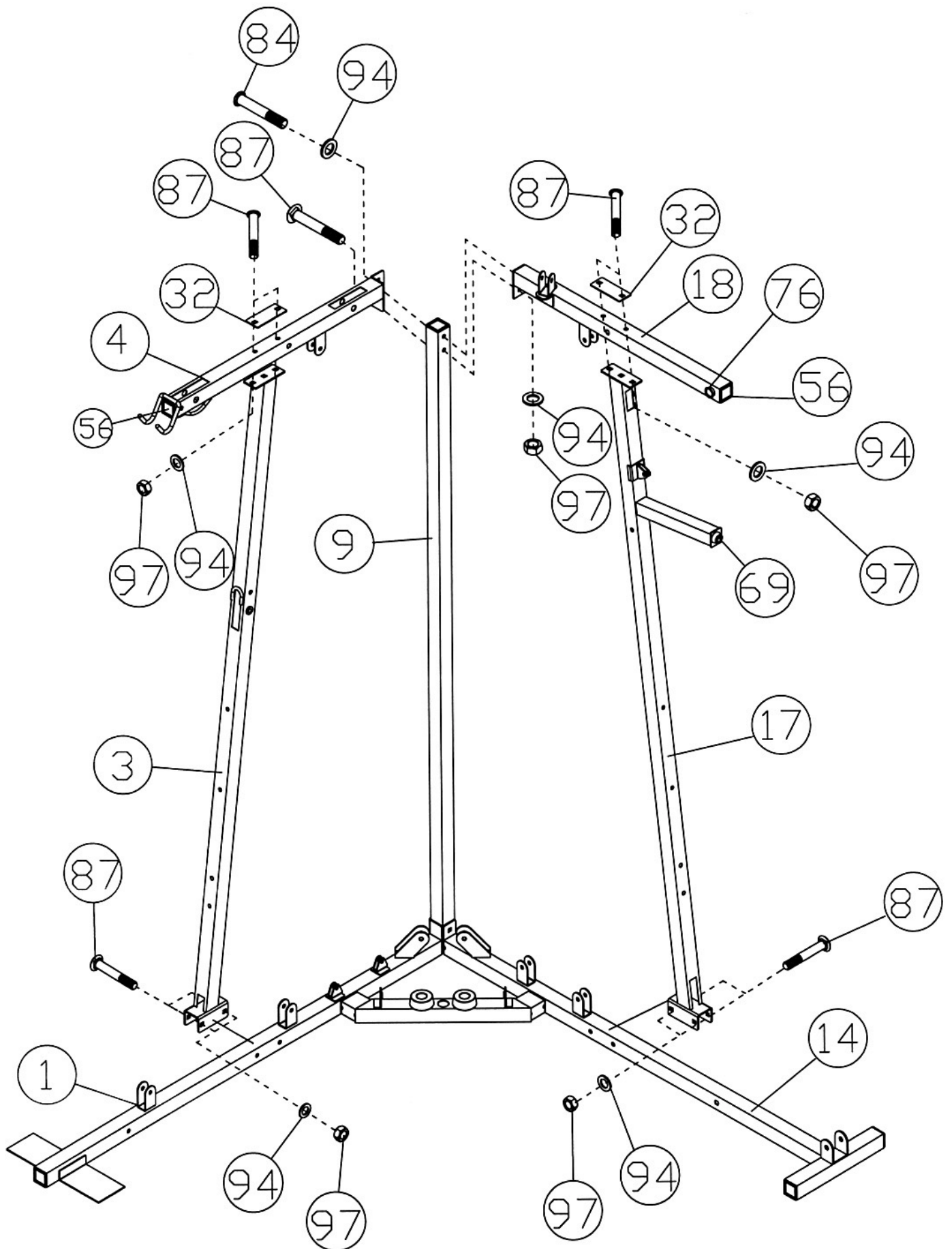
DIAGRAM 2



STEP 3 (See Diagram 3)

- A.) Attach the Right Vertical Beam (#3) onto the Right Base Frame (#1). Secure it with two M10 x 2 ½" Carriage Bolts (#87), Ø ¾" Washers (#94), and M10 Aircraft Nuts (#97).
- B.) Attach the Left Vertical Beam (#17) onto the Left Base Frame (#14). Secure it with two M10 x 2 ½" Carriage Bolts (#87), Ø ¾" Washers (#94), and M10 Aircraft Nuts (#97).
- C.) Place the Right Upper Frame (#4) onto the Right Vertical Beam (#3). Secure it with two M10 x 2 ½" Carriage Bolts (#87), one 4 3/8" x 1 ¾" Bracket (#32), two Ø ¾" Washers (#94), and two M10 Aircraft Nuts (#97).
- D.) Place the Left Upper Frame (#18) onto the Left Vertical Beam (#17). Secure it with two M10 x 2 ½" Carriage Bolts (#87), one 4 3/8" x 1 ¾" Bracket (#32), two Ø ¾" Washers (#94), and two M10 Aircraft Nuts (#97).
- E.) Attach the rear of Right Upper Frame (#4) to the Rear Vertical Beam (#9). Attach the rear of Left Upper Frame (#18) to the Rear Vertical Beam from the other side. Align the holes and secure them together with one M10 x 2 ½" Carriage Bolt (#87), Ø ¾" Washer (#94), and M10 Aircraft Nut (#97) to the lower hole. Secure the upper hole with one M10 x 2 3/8" Allen Bolt (#84) and Ø ¾" Washer (#94).
- F.) Move the machine to its final location before move on to the next step.

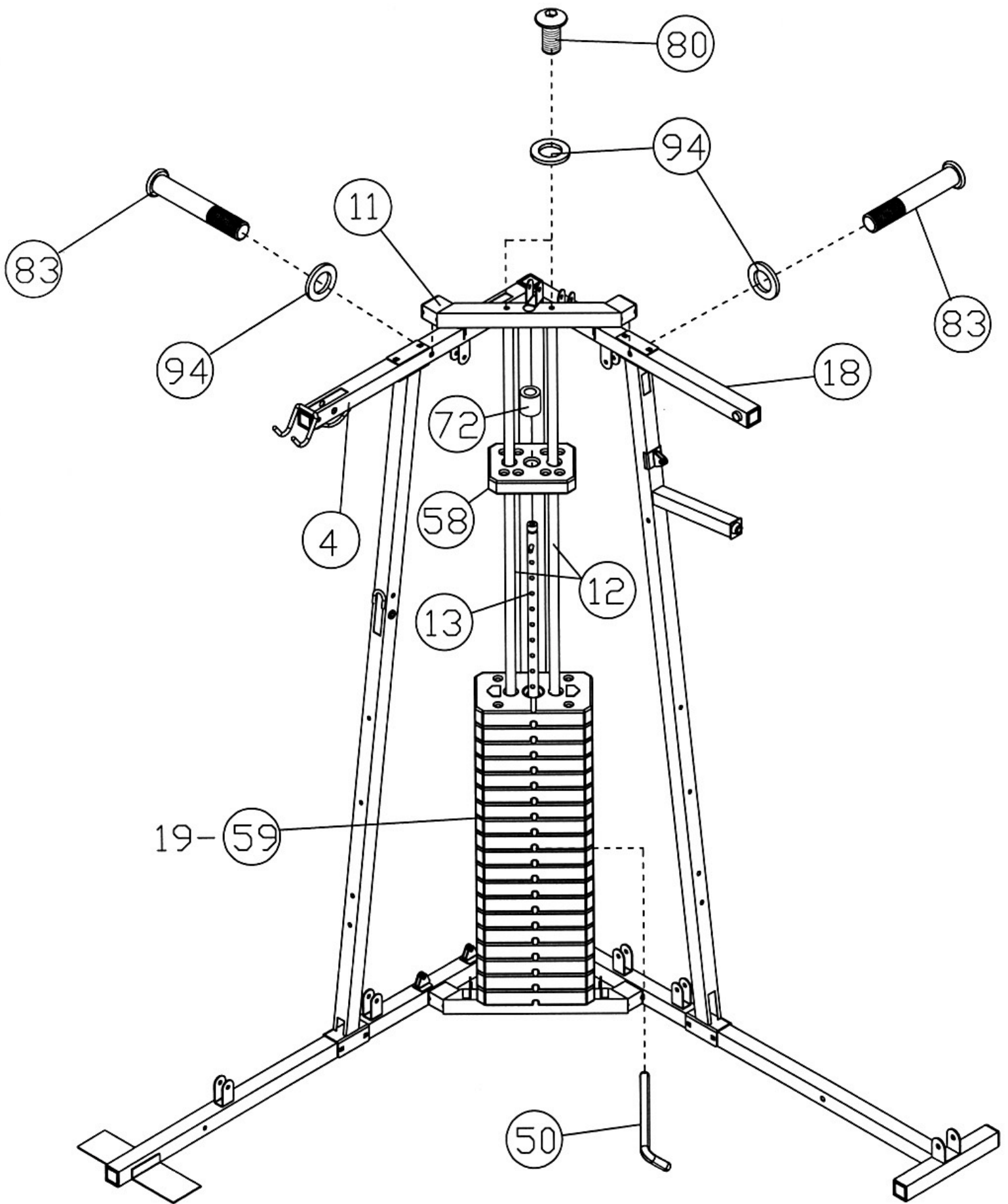
DIAGRAM 3



STEP 4 (See Diagram 4)

- A.) Slide nineteen Weight Plates (#59) onto the Guide Rods (#12). Make sure the groove on the Plates all face toward front of the machine. Insert the Selector Rod (#13) into the center hole. It is strongly recommended to spray lubricant such as WD-40 on the two Guide Rods to minimize friction.
- B.) Slide the Selector Stem (#58) onto the two Guide Rods and the Selector Rod. Slide the $\text{Ø } 1 \frac{3}{4} \text{''} \times 2 \text{''}$ Rubber Bumper (#72) onto the Selector Rod. Insert a Weight Selector Pin (#50) into the selected hole on the Plates.
- C.) Place the Guide Rod Upper Frame (#11) onto the Guide Rods. Secure it with two M10 x $\frac{3}{4} \text{''}$ Allen Bolts (#80) and $\text{Ø } \frac{3}{4} \text{''}$ Washers (#94).
- D.) Attach each end of the Guide Rod Upper Frame to the Right and Left Upper Frames (#4 & #18). Secure each end with one M10 x 2 $\frac{1}{8} \text{''}$ Allen Bolt (#83) and $\text{Ø } \frac{3}{4} \text{''}$ Washer (#94).

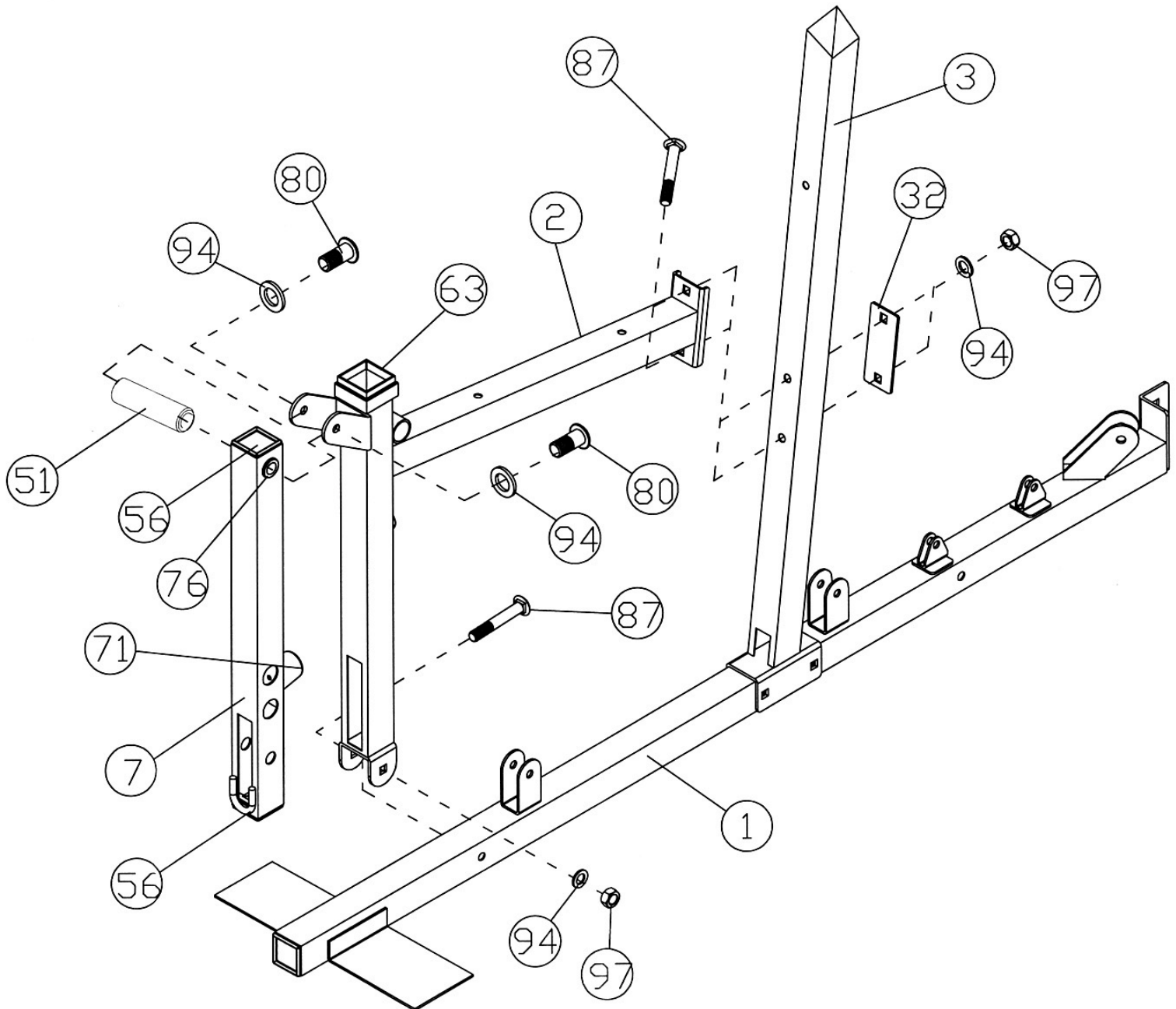
DIAGRAM 4



STEP 5 (See Diagram 5)

- A.) Attach the Right Seat Support (#2) onto the Right Base Frame (#1). Secure it with one M10 x 2 1/2" Carriage Bolt (#87), Ø 3/4" Washer (#94), and M10 Aircraft Nut (#97).
- B.) Attach the Right Seat Support (#2) to the Right Vertical Beam (#3). Secure it with two M10 x 2 1/2" Carriage Bolts (#87), one 4 3/8" x 1 3/4" Bracket (#32), two Ø 3/4" Washers (#94), and two M10 Aircraft Nuts (#97).
- C.) Attach the Leg Developer (#7) to the bracket on the Right Seat Support (#2). Secure it with a 2" Axle (#51), two M10 x 3/4" Allen Bolts (#80), and two Ø 3/4" Washers (#94).

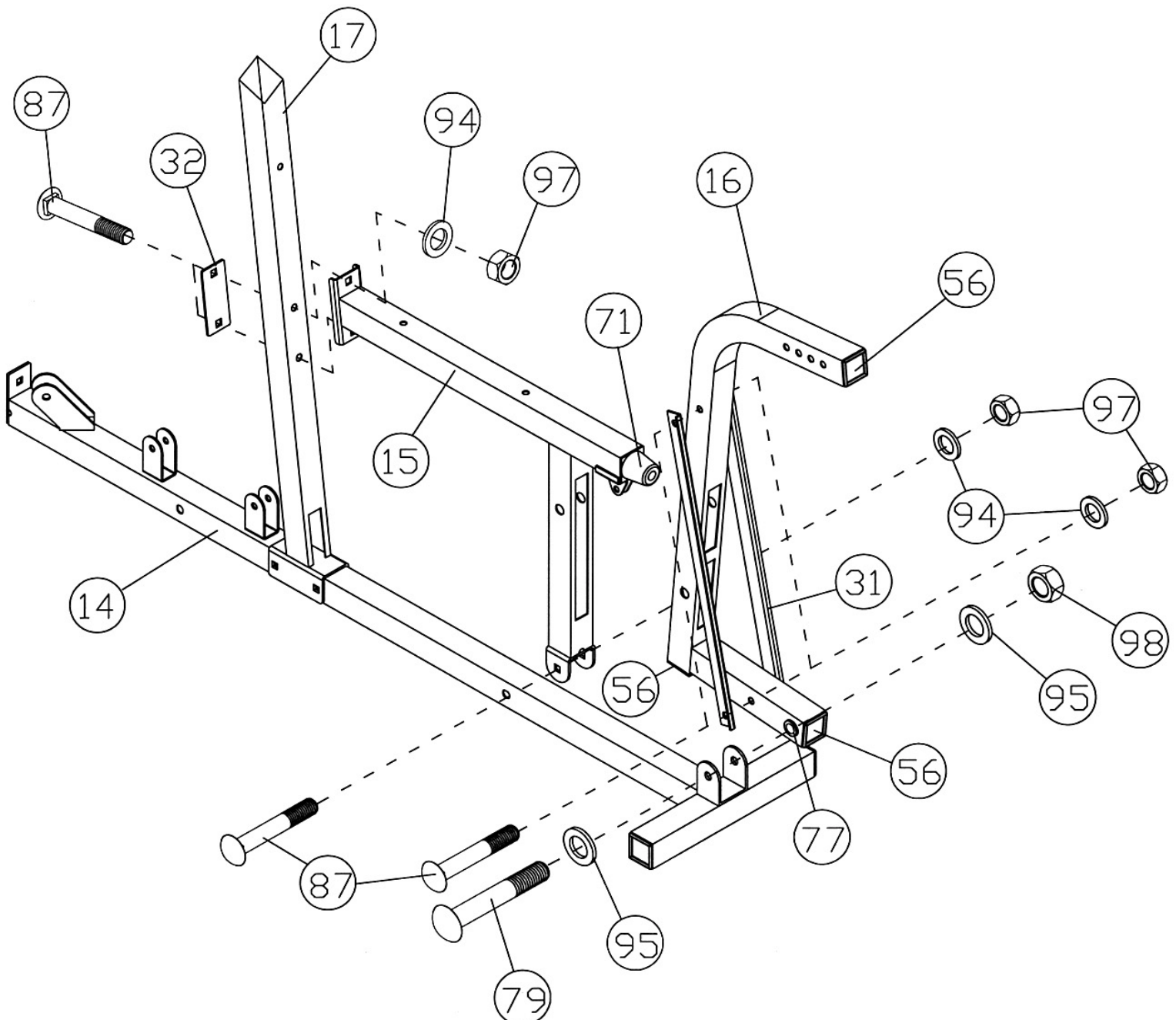
DIAGRAM 5



STEP 6 (See Diagram 6)

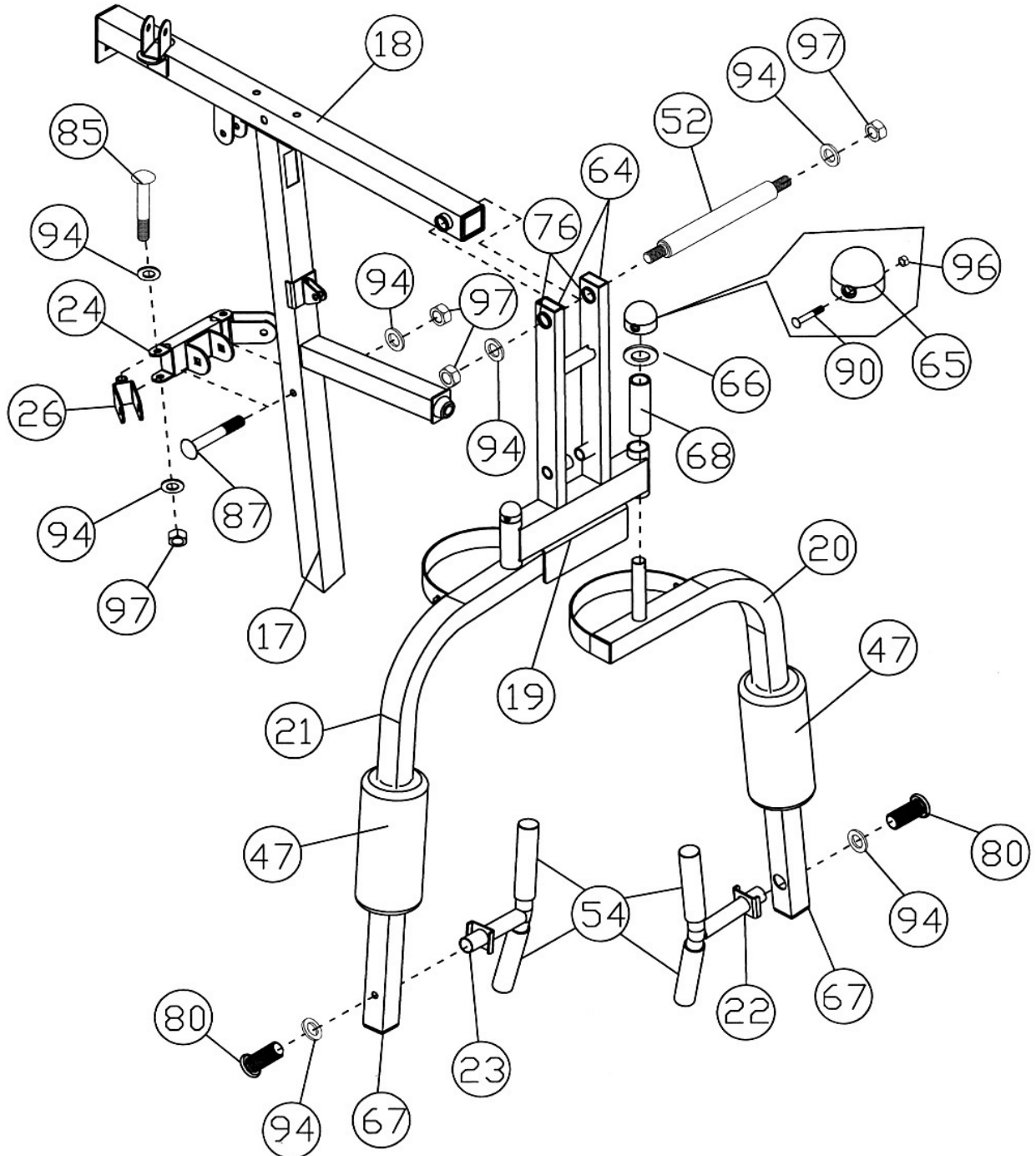
- A.) Attach the Left Seat Support (#15) to the Left Base Frame (#14). Secure it with one M10 x 2 ½" Carriage Bolts (#87), Ø ¾" Washer (#94), and M10 Aircraft Nut (#97).
- B.) Attach the Left Seat Support to the Left Vertical Beam (#17). Secure it with two M10 x 2 ½" Carriage Bolts (#87), one 4 3/8" x 1 ¾" Bracket (#32), two Ø ¾" Washers (#94), and two M10 Aircraft Nuts (#97).
- C.) Attach the Leg Press Frame (#16) to the bracket on the Left Base Frame (#14). Secure it with one M12 x 3" Allen Bolt (#79), two Ø 1" Washers (#95), and one M12 Aircraft Nut (#98).
- D.) Attach two Leg Press Diagonal Supports (#31) to the Leg Press Frame from both sides. Secure them with two M10 x 2 ½" Carriage Bolts (#87), Ø ¾" Washers (#94), and M10 Aircraft Nuts (#97). Make sure the Leg Press Frame is able to swivel on its pivot.
- E.) Securely tighten all Nuts and Bolts previously installed.

DIAGRAM 6

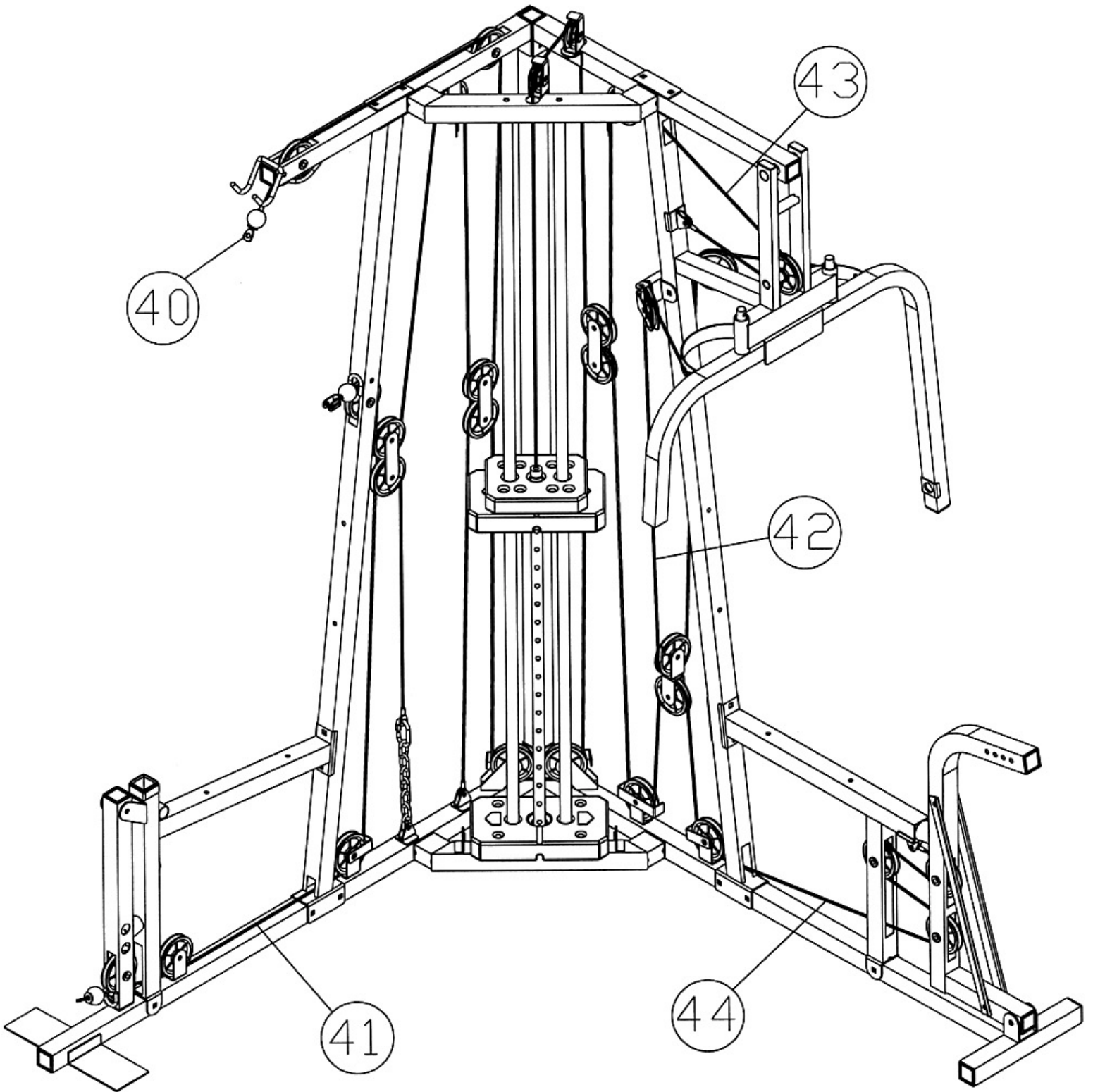


STEP 7 (See Diagram 7)

- A.) Align the Front Press Base (#19) to the Left Upper Frame (#18). Insert a 6" Axle (#52) through the holes and secure it with two $\text{\O} \frac{3}{4}$ " Washers (#94) and M10 Aircraft Nuts (#97).
- B.) Insert the axle on the Left Butterfly (#20) through the holes on the Front Press Base. Slide a $\text{\O} 1 \frac{1}{2}$ " x $\text{\O} \frac{3}{4}$ " Washer (#66) onto the axle. Secure the axle with one Lock Ring (#65), M6 x 1 $\frac{1}{4}$ " Allen Screw (#90), and M6 Aircraft Nut (#96).
- C.) Push a Large Foam Roll (#47) onto the Left Butterfly. Insert Left Press Handle (#22) into the Left Butterfly. Secure it with one M10 x $\frac{3}{4}$ " Allen Bolt (#80) and $\text{\O} \frac{3}{4}$ " Washer (#94).
- D.) Repeat Procedures B & C above to install the Right Butterfly (#21).
- E.) Attach the Butterfly Pulley Bracket (#24) to the back of the Left Vertical Beam (#17). Secure it with one M10 x 2 $\frac{1}{2}$ " Carriage Bolt (#87), $\text{\O} \frac{3}{4}$ " Washer (#94), and M10 Aircraft Nut (#97).
- F.) Attach two Swivel Pulley Brackets (#26) to the Butterfly Pulley Bracket (#24). Secure each Swivel Bracket with one M10 x 2 $\frac{1}{2}$ " Allen Bolt (#85), two $\text{\O} \frac{3}{4}$ " Washers (#94), and one M10 Aircraft Nut (#97). Do not overtighten the Brackets. Make sure they are able to swivel.



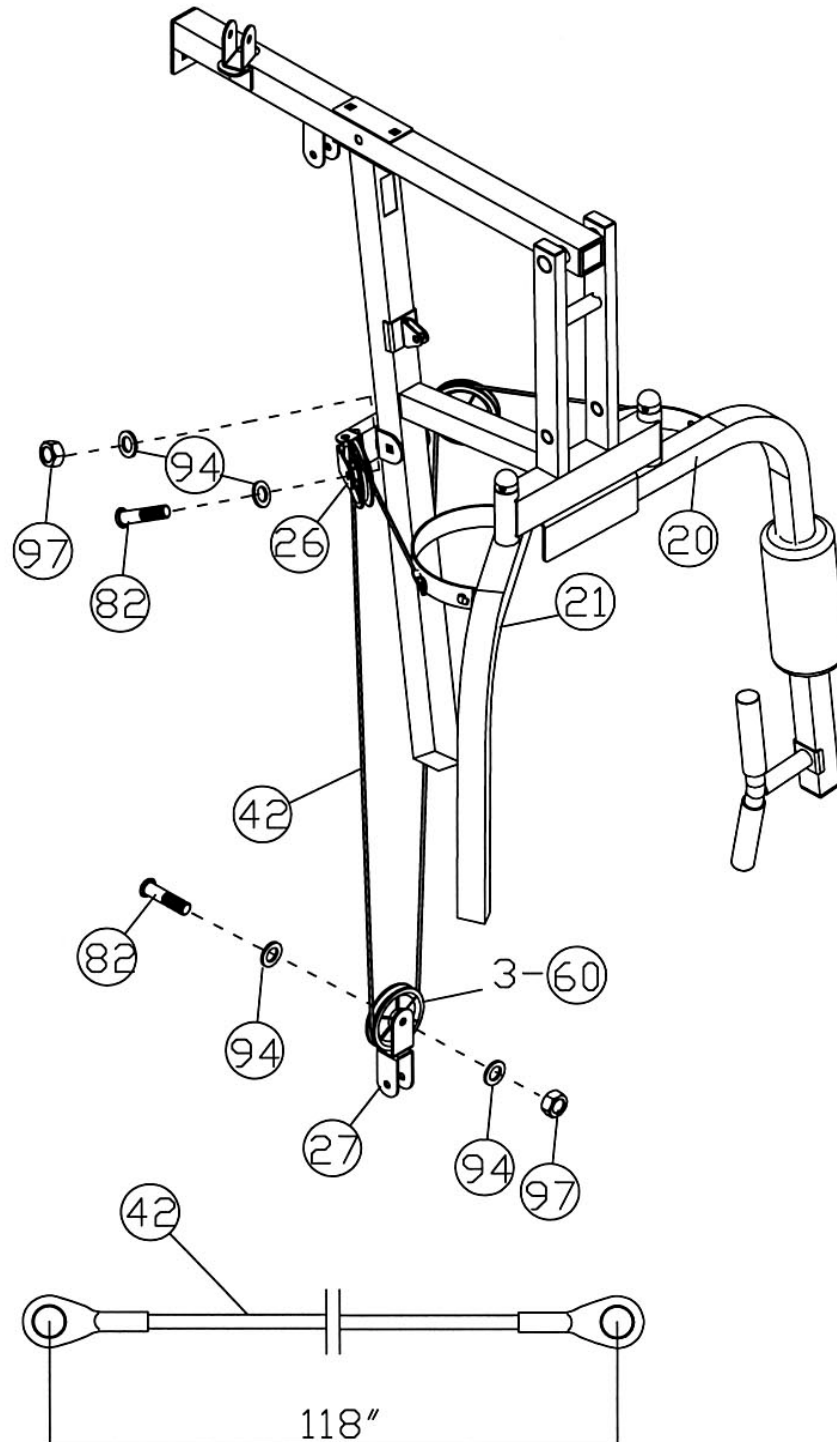
Cable Loop Diagram



STEP 8 (See Diagram 8 & Cable Loop Diagram)

- A.) Attach one end of the 118" Butterfly Cable (#42) to the hook on the Right Butterfly (#21). Draw the Cable to the right open Swivel Pulley Bracket (#26).
- B.) Attach a Pulley (#60) to the Bracket. Secure it with one M10 x 1 3/4" Allen Bolt (#82), two Ø 3/4" Washers (#94), and one M10 Aircraft Nut (#97).
- C.) Draw the Cable around the Pulley then downward. Repeat Step B above to install a Pulley to the Angled Double Floating Pulley Bracket (#27). Let the Bracket hanging for now. Draw the Cable upward to the left open Swivel Pulley Bracket.
- D.) Repeat Step B above to install another Pulley to the left Swivel Pulley Bracket. Draw the Cable around the Pulley to the Left Butterfly (#20). Attach the end of the Cable to the hook on the Left Butterfly.

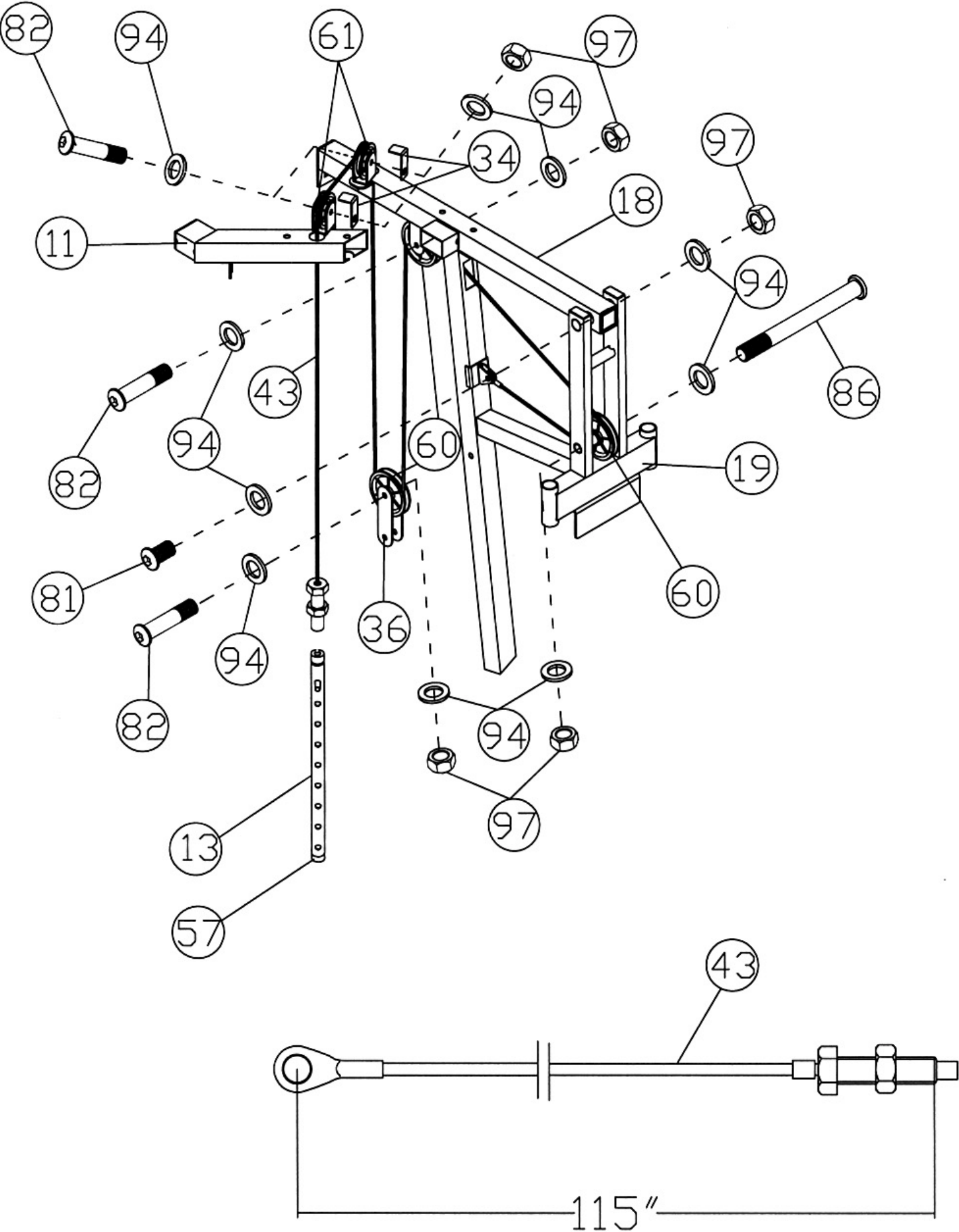
DIAGRAM 8



STEP 9 (See Diagram 9 & Cable Loop Diagram)

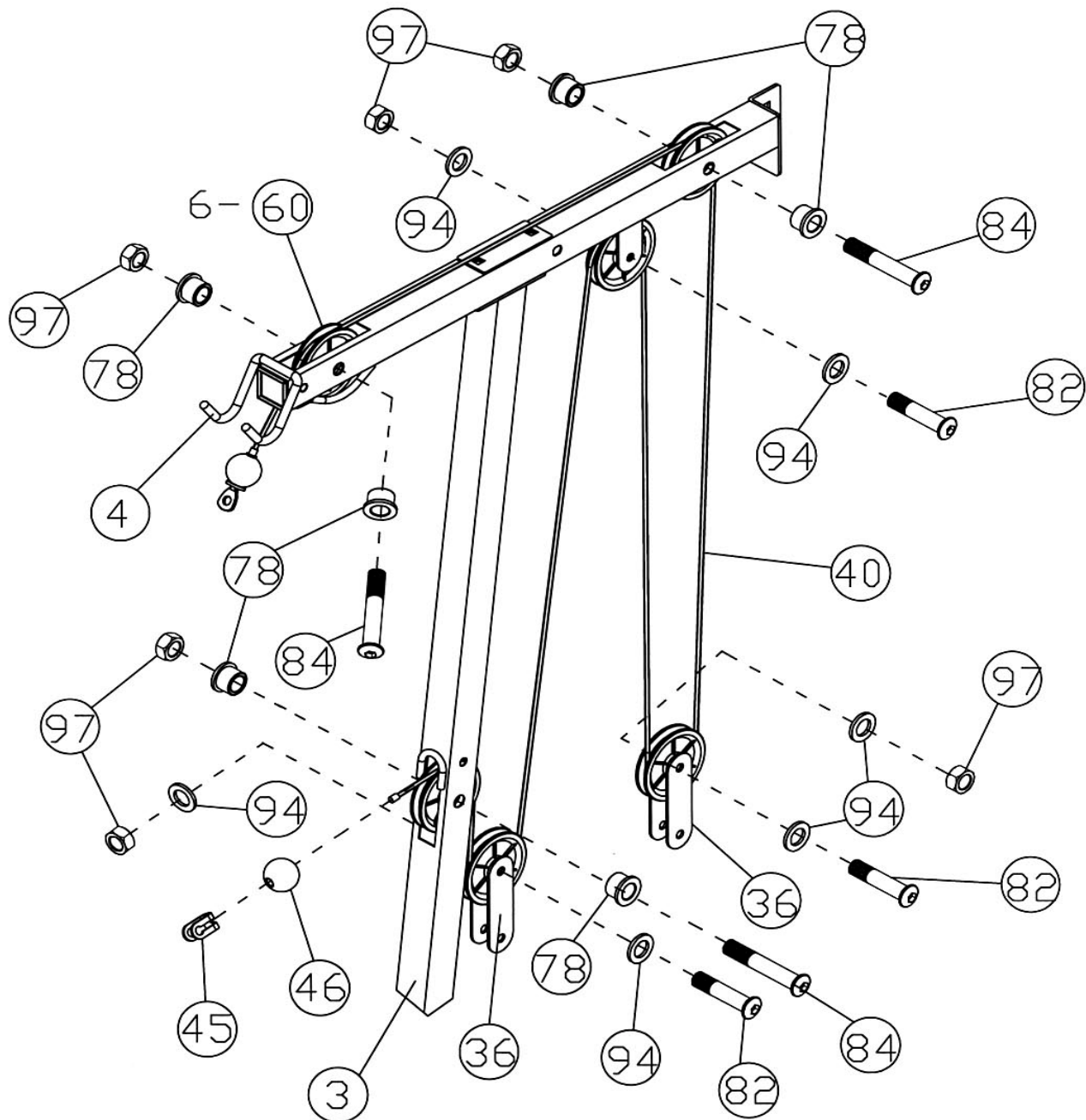
- A.) Attach the end of the 115" Front Press Cable (#43) to the open bracket on the Left Vertical Beam (#17). Secure it with one M10 x 1" Allen Bolt (#81), two Ø ¾" Washers (#94), and one M10 Aircraft Nut (#97).
- B.) Draw the Cable to the opening on the Front Press Base (#19). Attach a Pulley to the opening. Secure the Pulley to the Front Press Base with one M10 x 5 1/8" Allen Bolt (#86), two Ø ¾" Washers (#94), and one M10 Aircraft Nut (#97).
- C.) Draw the Cable around the Pulley then back to the opening on the Left Vertical Beam to the open bracket underneath the Left Upper Frame (#18). Attach a Pulley to the bracket. Secure it with one M10 x 1 ¾" Allen Bolt (#82), two Ø ¾" Washers (#94), and one M10 Aircraft Nut (#97).
- D.) Draw the Cable around the Pulley then downward. Install a Pulley to two Flat Double Floating Pulley Brackets (#36). Draw the Cable around the Pulley then upward to the open bracket on the Left Upper Frame. Let the Bracket hanging for now.
- E.) Install a Small Pulley (#61) to the bracket with a 2 ½" L-shaped Cable Retainer (#34).
- F.) Draw the Cable over the Small Pulley then to the open bracket on the Guide Rod Upper Frame (#11). Install a Small Pulley to the bracket with a 2 ½" L-shaped Cable Retainer (#34).
- G.) Draw the Cable around the Small Pulley then downward to the Selector Rod (#13). Thread the Bolt at the end of the Cable into the Selector Rod. Use the Nut on the Bolt to secure the Bolt into the Rod.

DIAGRAM 9



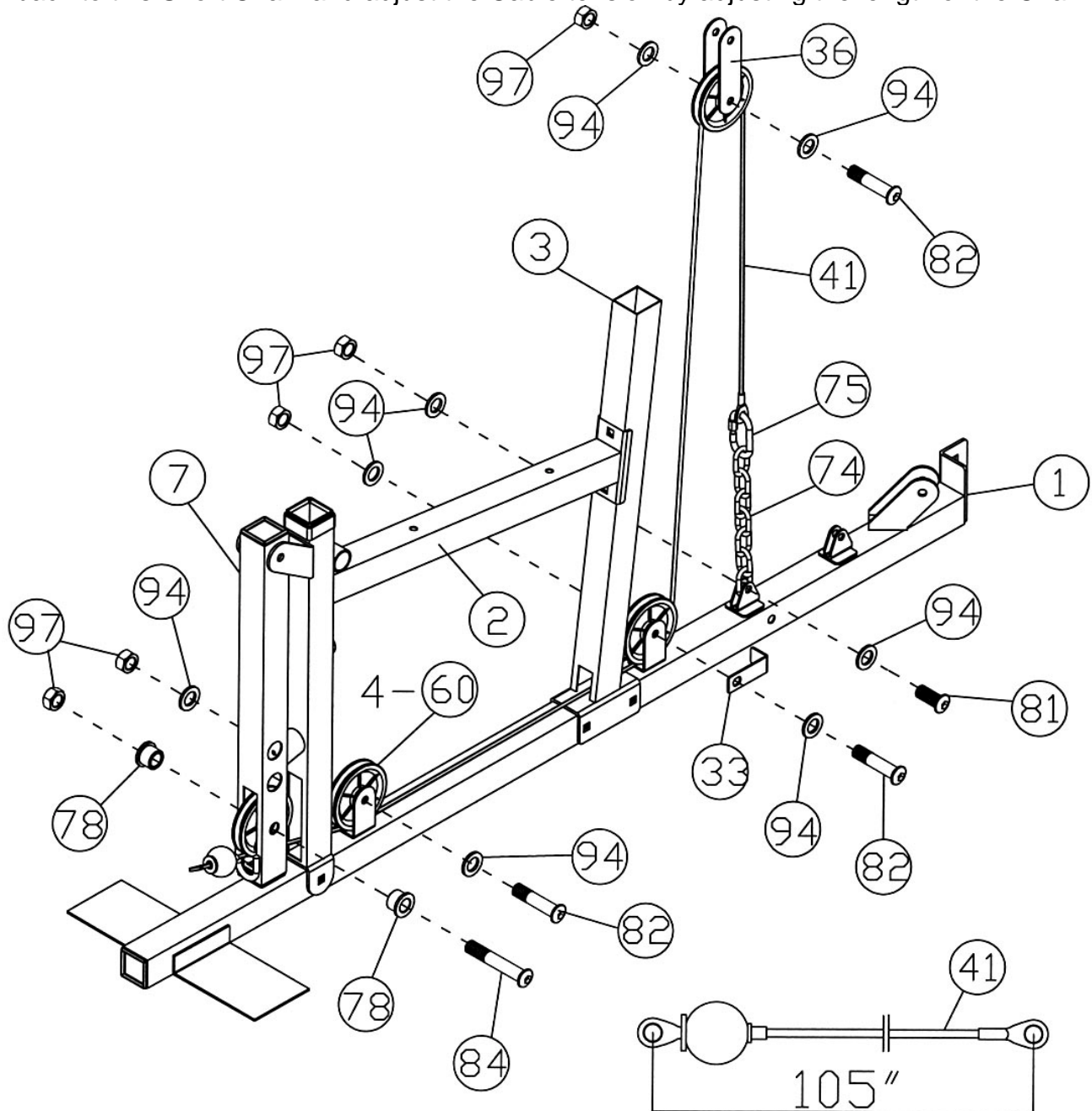
STEP 10 (See Diagram 10 & Cable Loop Diagram)

- A.) Attach the 180" Upper Cable (#40) to the front opening on the Right Upper Frame (#4).
- B.) Place a Pulley (#60) to the opening and secure it with one M10 x 2 3/8" Allen Bolt (#84), two Pulley Bushings (#78), and one M10 Aircraft Nut (#97). Make sure the ball stopper on the Cable is underneath the Right Upper Frame.
- C.) Draw the Cable over the Pulley along the Right Upper Frame to the rear opening on the Right Upper Frame. Repeat Procedure B above to Install a Pulley. Draw the Cable around the Pulley then downward. Install a Pulley to two Flat Double Floating Pulley Brackets (#36). Draw the Cable around the Pulley then upward to the open bracket underneath the Right Upper Frame. Let the Brackets hanging for now.
- D.) Install a Pulley to the bracket. Draw the Cable around the Pulley then downward. Install a Pulley to two Flat Double Floating Pulley Brackets. Draw Cable around the Pulley then to the opening on the Right Vertical Beam (#3). Let the Brackets hanging for now.
- E.) Repeat Procedure B above to install a Pulley to the opening. Draw the Cable around the Pulley then through the opening. Insert the end of Cable through a Ball Stopper (#46) to a Cable Head Connector (#45). Drop the end into the slot on the connector.



STEP 11 (See Diagram 11 & Cable Loop Diagram)

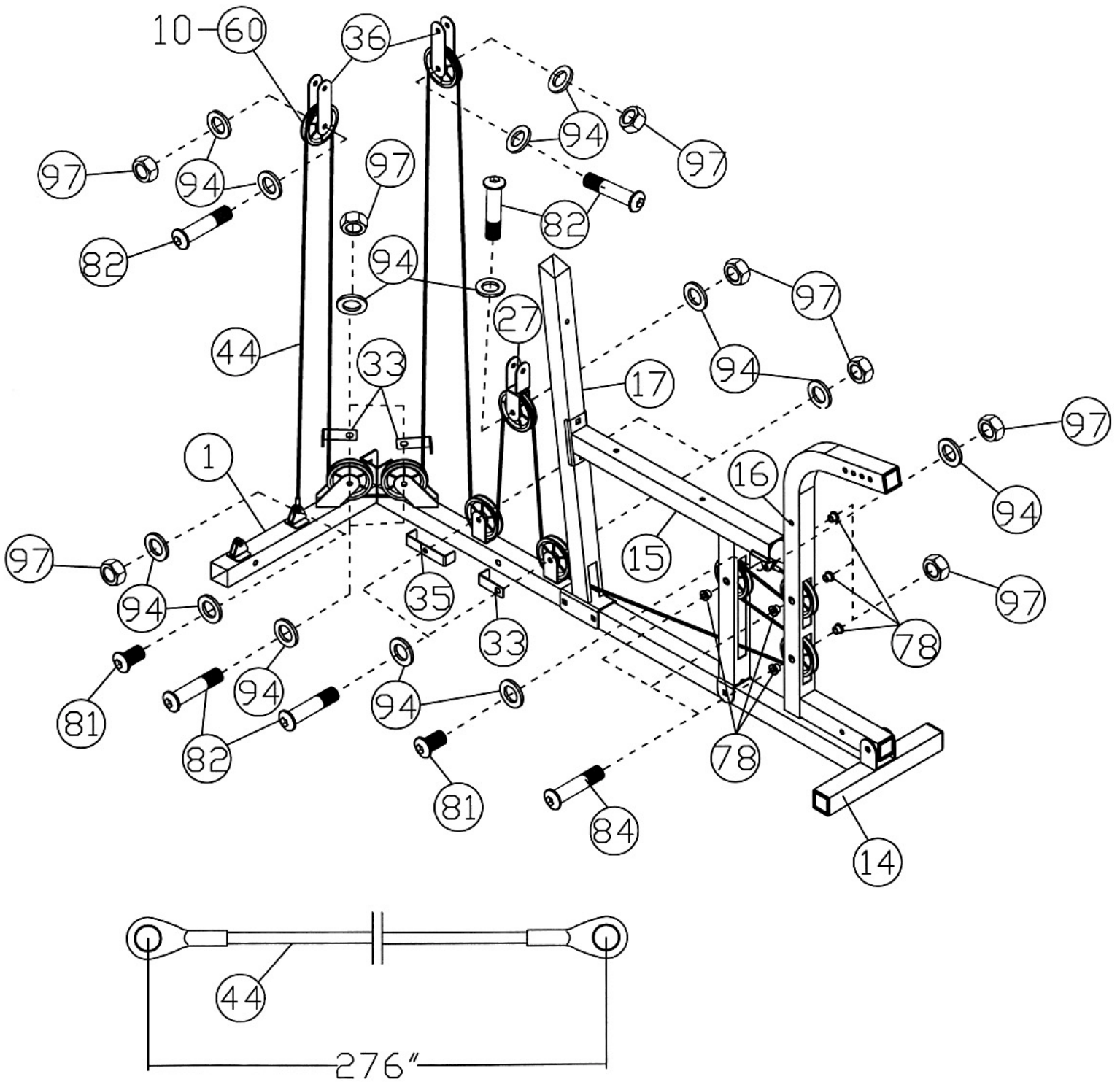
- A.) Attach the 105" Lower Cable (#41) to the opening on the bottom of Leg Developer (#7).
- B.) Attach a Pulley (#60) to the opening. Secure it with one M10 x 2 3/8" Allen Bolt (#84), two Pulley Bushings (#78), and one M10 Aircraft Nut (#97).
- C.) Draw the Cable underneath the Pulley towards the back of the machine to the open bracket on the Right Base Frame (#1). Attach a Pulley to the Bracket. Secure it with one M10 x 1 3/4" Allen Bolt (#82), two $\text{\O} \frac{3}{4}$ " Washers (#94), and one M10 Aircraft Nut (#97).
- D.) Draw the Cable underneath the Pulley through the opening on the bottom of Right Vertical Beam (#3) to the open bracket on the Right Base Frame. Install a Pulley to the bracket with a 2 7/8" L-shaped Cable Retainer (#33).
- E.) Draw the Cable around the Pulley then upward to the Flat Double Floating Pulley Brackets (#36) previously installed in Step-10. Install another Pulley.
- F.) Draw the Cable around the Pulley then downward. Connect the Cable to the first open bracket on the Right Base Frame with a C-clip (#75) and a Short Chain (#74).
- G.) Secure the Short Chain to the bracket with one M10 x 1" Allen Bolt (#81), two $\text{\O} \frac{3}{4}$ " Washers (#94), and one M10 Aircraft Nut (#97). After completing the entire cable installations, come back to this Short Chain and adjust the Cable tension by adjusting the length of the Chain.



STEP 12 (See Diagram 12 & Cable Loop Diagram)

- A.) Attach one end of the 276" Leg Press Cable (#44) to the open bracket underneath the Left Seat Support (#15). Secure it with one M10 x 1" Allen Bolt (#81), two $\varnothing \frac{3}{4}$ " Washers (#94), and one M10 Aircraft Nut (#97).
- B.) Attach a Pulley to the top opening on the Leg Press Frame (#16). Secure it with one M10 x 2 3/8" Allen Bolt (#84), two Pulley Bushings (#78), and one M10 Aircraft Nut (#97).
- C.) Draw the Cable around the Pulley then back to the top opening on the Left Seat Support. Repeat Procedure B above to install a Pulley.
- D.) Draw the Cable around the Pulley back to the lower opening on the Leg Press Frame (#16). Repeat Procedure B above to install a Pulley.
- E.) Draw the Cable around the Pulley along the Left Base Frame (#14) through the opening on the bottom of Left Vertical Beam (#17) to the first open bracket on the Left Base Frame.
- F.) Install a Pulley and secure it with one M10 x 1 3/4" Allen Bolt (#82), one 2 7/8" L-shaped Cable Retainer (#33), two $\varnothing \frac{3}{4}$ " Washers (#94), and one M10 Aircraft Nut (#97).
- G.) Draw the Cable underneath the Pulley then upward to the Angled Double Floating Pulley Bracket (#27) previously installed in Step-8. Install a Pulley to the Bracket.
- H.) Draw the Cable around the Pulley then downward to the second open bracket on the Left Base Frame. Install a Pulley with an U-shaped Cable Retainer (#35).
- I.) Draw the Cable upward to the Flat Double Floating Pulley Brackets (#36) previously installed in Step-9. Install another Pulley.
- J.) Draw the Cable around the Pulley then downward to the open bracket on the rear of Left Base Frame. Install a Pulley with a 2 7/8" L-shaped Cable Retainer (#33).
- K.) Draw the Cable underneath the Pulley across the corner to the open bracket on the Right Base Frame (#1). Repeat Procedure J above to install a Pulley.
- L.) Draw the Cable underneath the Pulley then upward to the Flat Double Floating Pulley Bracket (#36) previously installed in Step-10. Install another Pulley.
- M.) Draw the Cable around the Pulley then downward to the open bracket on the Right Base Frame (#1). Secure the end of the Cable with one M10 x 1" Allen Bolt (#81), two $\varnothing \frac{3}{4}$ " Washers (#94), and one M10 Aircraft Nut (#97).
- N.) Check the tension of the cable loop system. If the cables are too loose, shorten the Short Chain previously installed in Step 11 G.

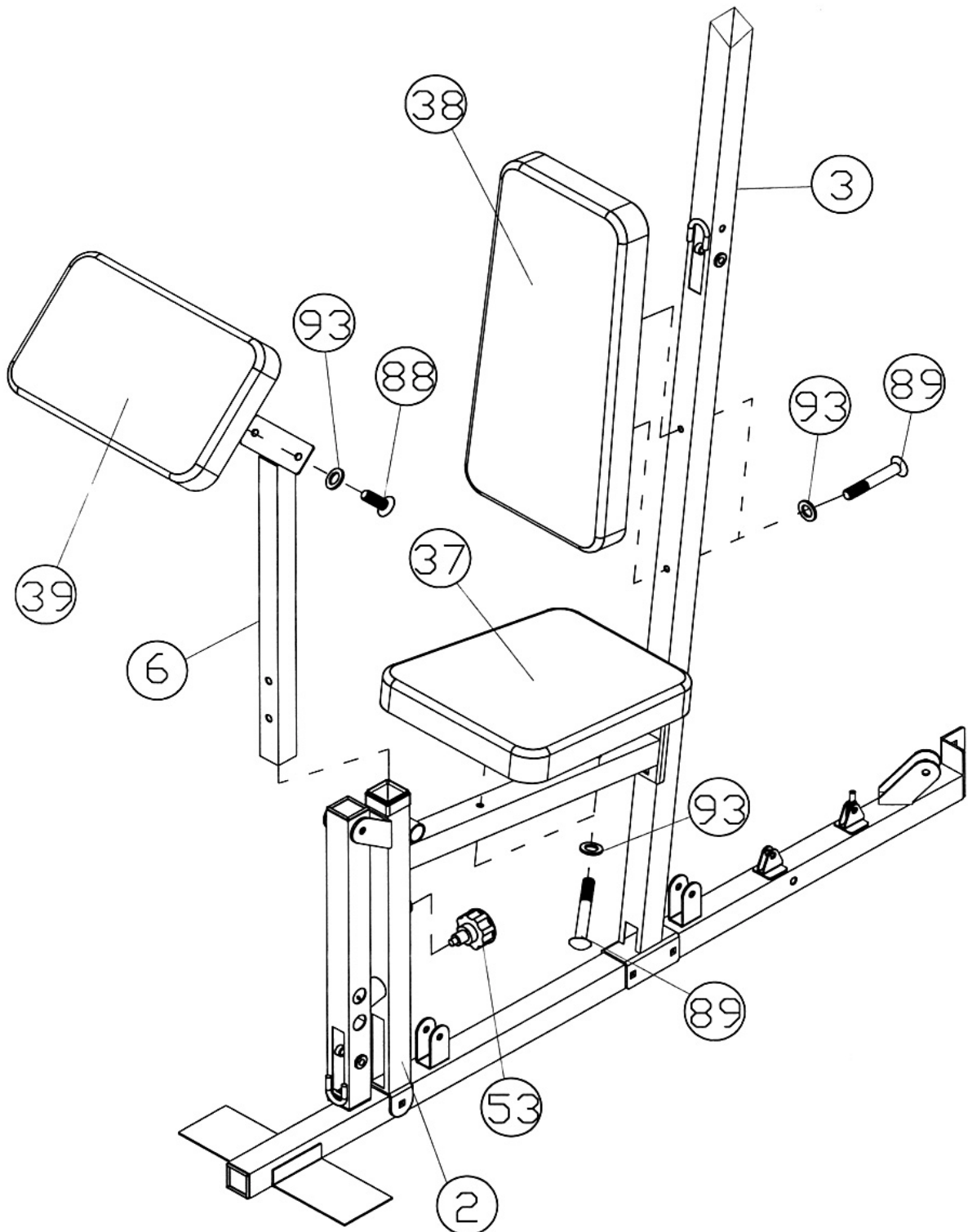
DIAGRAM 12



STEP 13 (See Diagram 13)

- A.) Attach a Backrest Board (#38) to the Right Vertical Beam (#3). Secure it with two M8 x 2 1/8" Allen Bolts (#89) and Ø 5/8" Washers (#93).
- B.) Attach a Seat Pad (#37) onto the Right Seat Support (#2). Secure it with two M8 x 2 1/8" Allen Bolts (#89) and Ø 5/8" Washers (#93).
- C.) Attach the Arm Curl Pad (#39) to the Arm Curl Stand (#6). Secure it with two M8 x 5/8" Allen Bolts (#88) and Ø 5/8" Washers (#93).
- D.) Insert the Arm Curl Stand into the opening on the Right Seat Support and secure it with a Lock Knob (#53).

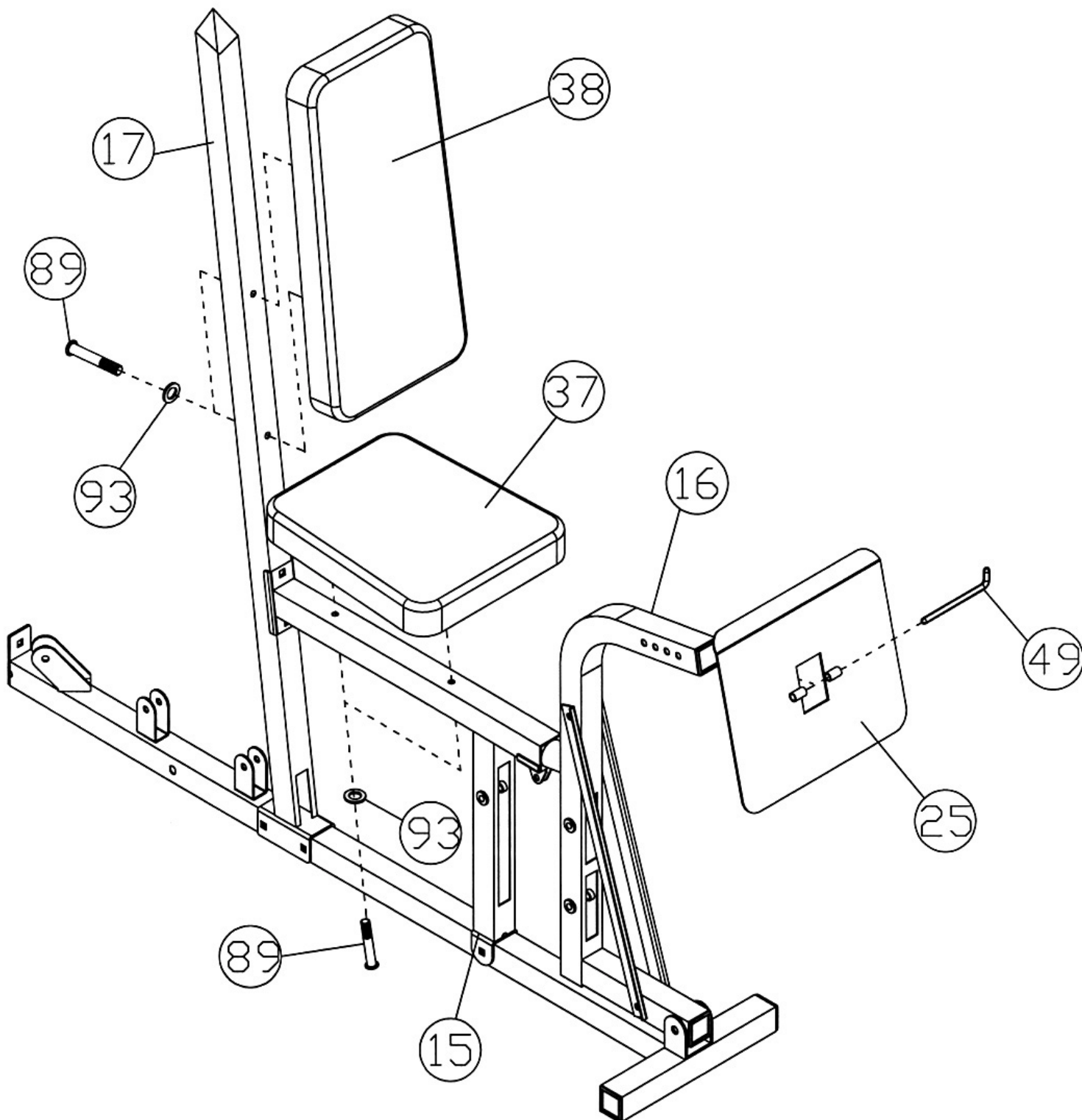
DIAGRAM 13



STEP 14 (See Diagram 14)

- A.) Attach a Backrest Board (#38) to the Left Vertical Beam (#17). Secure it with two M8 x 2 1/8" Allen Bolts (#89) and Ø 5/8" Washers (#93).
- B.) Attach a Seat Pad (#37) onto the Left Seat Support (#15). Secure it with two M8 x 2 1/8" Allen Bolts (#89) and Ø 5/8" Washers (#93).
- C.) Attach the Leg Press Plate (#25) to the Leg Press Frame (#16). Secure it with a Leg Press Lock Pin (#49).

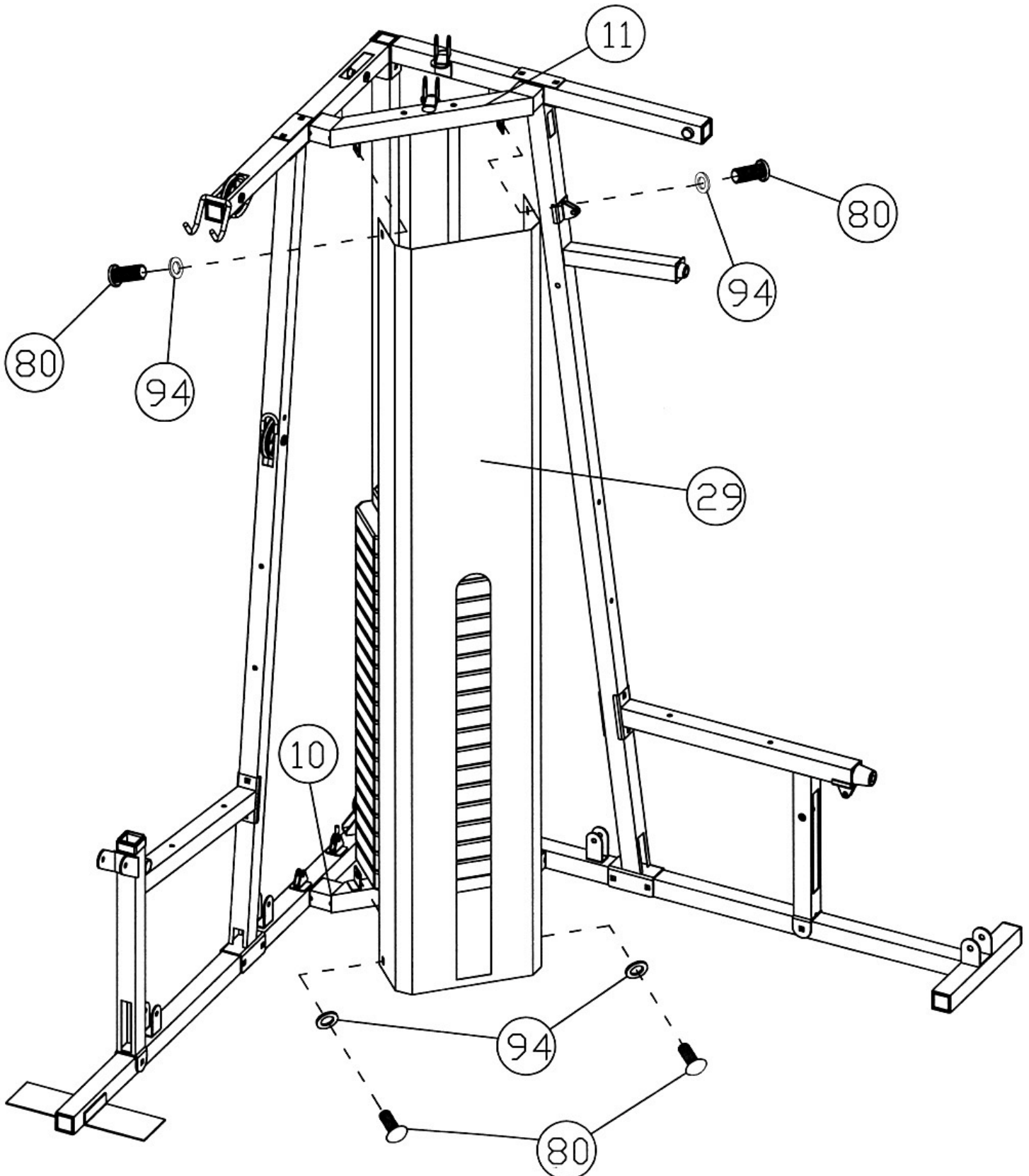
DIAGRAM 14



STEP 15 (See Diagram 15)

A.) Attach the Weight Stack Cover (#29) to the Guide Rod Upper Frame (#11) and Guide Rod Base (#10). Secure it with four M10 x ¾" Allen Bolts (#80) and Ø ¾" Washers (#94).

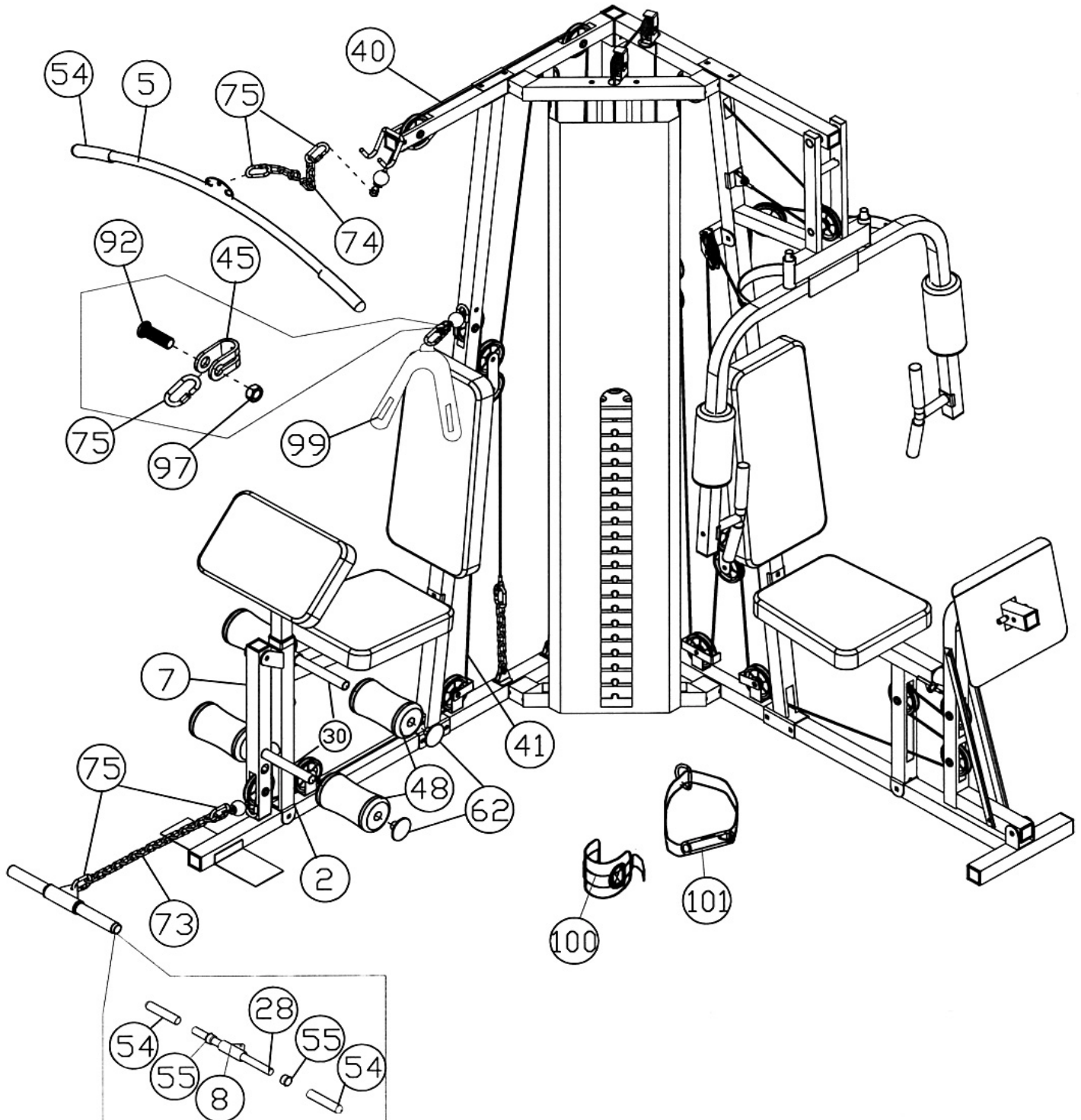
DIAGRAM 15



STEP 16 (See Diagram 16)

- A.) Connect the Lat Bar (#5) to the 180" Upper Cable (#40) with two C-clips (#75) and a Short Chain (#74). Store the Lat Bar onto the hooks on the Right Upper Frame.
- B.) Connect the Abdominal Strap (#99) to the Cable Head Connector (#45) with a C-clip. Secure the C-clip to the Connector with one M10 x 1 1/8" Allen Bolt (#92) and M10 Aircraft Nut (#97).
- C.) Insert two Foam Tubes (#30) halfway through the holes on the Right Seat Support (#2) and Leg Developer (#7). Push four Foam Rolls (#48) onto the Tubes from both sides. Plug four Foam Roll End Caps (#62) into the ends.
- D.) Connect the Arm Curl Handle (#8) to the 105" Lower Cable (#41) with a Long Chain (#73) and two C-clips.

DIAGRAM 16



PARTS LIST

KEY NO.	DESCRIPTION	Q'ty			
1	Right Base Frame	1	51	2" Axle	1
2	Right Seat Support	1	52	6" Axle	1
3	Right Vertical Beam	1	53	Lock Knob	1
4	Right Upper Frame	1	54	5 1/4" Grip	8
5	Lat Bar	1	55	Ø 1 1/2" x 1" Bushing	2
6	Arm Curl Stand	1	56	1 3/4" Square End Cap	12
7	Leg Developer	1	57	Ø 1" Con-shaped End Cap	1
8	Arm Curl Handle	1	58	Selector Stem	1
9	Rear Vertical Beam	1	59	Weight Plate	19
10	Guide Rod Base	1	60	Pulley	26
11	Guide Rod Upper Frame	1	61	Small Pulley	2
12	Guide Rod	2	62	Foam Roll End Cap	4
13	Selector Rod	1	63	Sleeve	1
14	Left Base Frame	1	64	1 5/8" x 3/4" End Cap	2
15	Left Seat Support	1	65	Lock Ring	2
16	Leg Press Frame	1	66	Ø 1 1/2" x Ø 3/4" Washer	2
17	Left Vertical Beam	1	67	1 1/2" End Cap	2
18	Left Upper Frame	1	68	Ø 1" x Ø 3/4" Bushing	2
19	Front Press Base	1	69	Ø 1 1/2" x 5/8" Rubber Bumper	1
20	Left Butterfly	1	70	Ø 2" x 1" Rubber Bumper	2
21	Right Butterfly	1	71	Ø 1 3/4" x 1 5/8" Rubber Bumper	2
22	Left Press Handle	1	72	Ø 1 3/4" x 2" Rubber Bumper	1
23	Right Press Handle	1	73	Long Chain	1
24	Butterfly Pulley Bracket	1	74	Short Chain	2
25	Leg Press Plate	1	75	C-clip	6
26	Swivel Pulley Bracket	2	76	Ø 1" x Ø 5/8" Bushing	8
27	Angled Double Floating Pulley Bracket	1	77	Ø 1" x 1/2" Bushing	2
28	Arm Curl Handle Bar	1	78	Pulley Bushing	14
29	Weight Stack Cover	1	79	M12 x 3" Allen Bolt	1
30	Foam Tube	2	80	M10 x 3/4" Allen Bolt	12
31	Leg Press Diagonal Support	2	81	M10 x 1" Allen Bolt	4
32	4 3/8" x 1 3/4" Bracket	4	82	M10 x 1 3/4" Allen Bolt	20
33	2 7/8" L-shaped Cable Retainer	4	83	M10 x 2 1/8" Allen Bolt	4
34	2 1/2" L-shaped Cable Retainer	2	84	M10 x 2 3/8" Allen Bolt	9
35	U-shaped Cable Retainer	1	85	M10 x 2 1/2" Allen Bolt	2
36	Flat Double Floating Pulley Bracket	6	86	M10 x 5 1/8" Allen Bolt	1
37	Seat Pad	2	87	M10 x 2 1/2" Carriage Bolt	19
38	Backrest Board	2	88	M8 x 5/8" Allen Bolt	2
39	Arm Curl Pad	1	89	M8 x 2 1/8" Allen Bolt	8
40	180" Upper Cable	1	90	M6 x 1 1/4" Allen Screw	2
41	105" Lower Cable	1	91	M6 x 5/8" Philips Screw	3
42	118" Butterfly Cable	1	92	M10 x 1 1/8" Allen Bolt	1
43	115" Front Press Cable	1	93	Ø 5/8" Washer	10
44	276" Leg Press Cable	1	94	Ø 3/4" Washer	95
45	Cable Head Connector	1	95	Ø 1" Washer	2
46	Ball Stopper	1	96	M6 Aircraft Nut	2
47	Large Foam Roll	2	97	M10 Aircraft Nut	56
48	Foam Roll	4	98	M12 Aircraft Nut	1
49	Leg Press Lock Pin	1	99	Abdominal Strap	1
50	Weight Selector Pin	1	100	Ankle Strap	1
			101	Single Handle	1

EVE-1500 Weight Resistance Chart

WEIGHT PLATE	FRONT PRESS	LOW PULLEY	LAT BAR	BUTTERFLY STATION	AB STATION	LEG PRESS
1	25	30	30	15	30	30
2	35	40	40	20	40	45
3	45	50	50	25	50	60
4	55	60	60	30	60	75
5	65	70	70	35	70	90
6	75	80	80	40	80	105
7	85	90	90	45	90	120
8	95	100	100	50	100	135
9	105	110	110	55	110	150
10	115	120	120	60	120	165
11	125	130	130	65	130	180
12	135	140	140	70	140	195
13	145	150	150	75	150	210
14	155	160	160	80	160	225
15	165	170	170	85	170	240
16	175	180	180	90	180	255
17	185	190	190	95	190	270
18	195	200	200	100	200	285
19	205	210	210	105	210	300

*Each plate weights approximately 10 lbs.

*Resistance measured in pounds.

*Numbers are approximate. Actual number may vary.

IMPEX INC.

LIMITED WARRANTY

IMPEX Inc. ("IMPEX") warrants this product to be free from defects in workmanship and material, under normal use and service conditions, for a period of two years on the Frame from the date of purchase. This warranty extends only to the original purchaser. IMPEX's obligation under this Warranty is limited to replacing or repairing, at IMPEX's option.

All returns must be pre-authorized by IMPEX. Pre-authorization may be obtained by calling IMPEX Customer Service Department at 1-800-999-8899. All freights on products returned to IMPEX must be prepaid by the customer. This warranty does not extend to any product or damage to a product caused by or attributable to freight damage, abuse, misuse, improper or abnormal usage or repairs not provided by an IMPEX authorized service center or for products used for commercial or rental purposes. No other warranty beyond that specifically set forth above is authorized by IMPEX.

IMPEX is not responsible or liable for indirect, special or consequential damages arising out of or in connection with the use or performance of the product or other damages with respect to any economic loss, loss of property, loss of revenues or profits, loss of enjoyments or use, costs of removal, installation or other consequential damages or whatsoever natures. Some states do not allow the exclusion or limitation of incidental or consequential damages. Accordingly, the above limitation may not apply to you.

The warranty extended hereunder is in lieu of any and all other warranties and any implied warranties of merchantability or fitness for a particular purpose is limited in its scope and duration to the terms set forth herein. Some states do not allow limitations on how long an implied warranty lasts. Accordingly, the above limitation may not apply to you.

This warranty gives you specific legal right. You may also have other rights which vary from state to state. **Register on-line at www.impex-fitness.com**

**IMPEX INC.
14777 Don Julian
City of Industry, CA 91746**

ORDERING REPLACEMENT PARTS

Replacement parts can be ordered by calling our Customer Service Department toll-free at **1-800-999-8899** during our regular business hours: Monday through Friday, 9 am until 5 pm Pacific standard time.

info@impex-fitness.com

When ordering replacement parts, always give the following information.

1. Model
2. Description of Parts
3. Part Number
4. Date of Purchase

Free Manuals Download Website

<http://myh66.com>

<http://usermanuals.us>

<http://www.somanuals.com>

<http://www.4manuals.cc>

<http://www.manual-lib.com>

<http://www.404manual.com>

<http://www.luxmanual.com>

<http://aubethermostatmanual.com>

Golf course search by state

<http://golfingnear.com>

Email search by domain

<http://emailbydomain.com>

Auto manuals search

<http://auto.somanuals.com>

TV manuals search

<http://tv.somanuals.com>