

Low Overspray CleanShot™ Valve

311103C

Model 287727

For use on the Graco Low Overspray Kit.

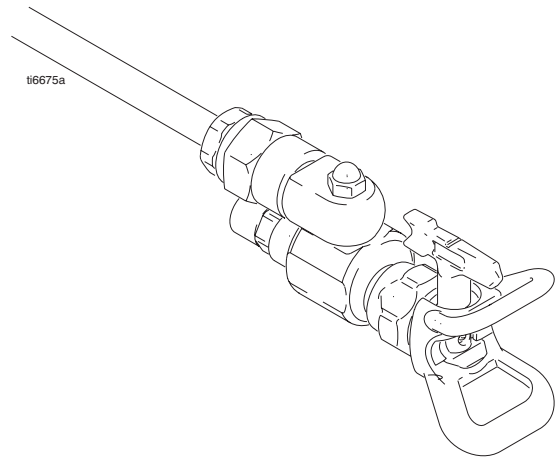
Includes RAC® 5 321 SwitchTip™ and RAC 5 HandTite™ Guard.

3600 psi (25 MPa, 248 bar) Maximum Working Pressure



Important Safety Instructions






Read all warnings and instructions in this manual.
Save these instructions.









PROVEN QUALITY. LEADING TECHNOLOGY.

Warnings

The following general warnings are related to the safe setup, use, grounding, maintenance and repair of this equipment. In the text of this manual, the exclamation point symbol alerts you to a warning and the hazard symbol refers to specific risks. Refer back to these General Warning pages. Additional procedure-specific warnings will be included where applicable.

|  WARNING | |
|--|--|
|  | <p>FIRE AND EXPLOSION HAZARD</p> <p>Flammable fumes, such as solvent and paint fumes, in work area can ignite or explode. To help prevent fire and explosion:</p> <ul style="list-style-type: none"> • Use equipment only in well ventilated area. • Eliminate all ignition sources; such as pilot lights, cigarettes, portable electric lamps, and plastic drop cloths (potential static arc). • Keep work area free of debris, including solvent, rags and gasoline. • Do not plug or unplug power cords, or turn power or light switches on or off when flammable fumes are present. • Ground equipment and conductive objects in work area. See Grounding instructions. • Use only grounded hoses. • Hold gun firmly to side of grounded pail when triggering into pail. • If there is static sparking or you feel a shock, stop operation immediately. Do not use equipment until you identify and correct the problem. • Keep a fire extinguisher in the work area. |
|  | <p>FIRE AND EXPLOSION HAZARD</p> <p>When flammable fluids are present in the work area, such as gasoline and windshield wiper fluid, be aware that flammable fumes can ignite or explode. To help prevent fire and explosion:</p> <ul style="list-style-type: none"> • Use equipment only in well ventilated area. • Eliminate all ignition sources, such as cigarettes and portable electric lamps. • Keep work area free of debris, including rags and spilled or open containers of solvent and gasoline. • Do not plug or unplug power cords or turn lights on or off when flammable fumes are present. • Ground equipment. • Use only grounded hoses. • If there is static sparking or you feel a shock, stop operation immediately. Do not use equipment until you identify and correct the problem. • Keep a fire extinguisher in the work area. |
|   | <p>SKIN INJECTION HAZARD</p> <p>High-pressure fluid from gun, hose leaks, or ruptured components will pierce skin. This may look like just a cut, but it is a serious injury that can result in amputation. Get immediate surgical treatment.</p> <ul style="list-style-type: none"> • Do not point gun at anyone or at any part of the body. • Do not put your hand over the spray tip. • Do not stop or deflect leaks with your hand, body, glove, or rag. • Do not spray without tip guard and trigger guard installed. • Engage trigger lock when not spraying. • Follow Pressure Relief Procedure in this manual, when you stop spraying and before cleaning, checking, or servicing equipment. |

|  WARNING | |
|--|--|
|  | <p>PRESSURIZED EQUIPMENT HAZARD</p> <p>Fluid from the gun/dispense valve, leaks, or ruptured components can splash in the eyes or on skin and cause serious injury.</p> <ul style="list-style-type: none"> • Follow Pressure Relief Procedure in this manual, when you stop spraying and before cleaning, checking, or servicing equipment. • Tighten all fluid connections before operating the equipment. • Check hoses, tubes, and couplings daily. Replace worn or damaged parts immediately. |
|  | <p>EQUIPMENT MISUSE HAZARD</p> <p>Misuse can cause death or serious injury.</p> <ul style="list-style-type: none"> • Do not exceed the maximum working pressure or temperature rating of the lowest rated system component. See Technical Data in all equipment manuals. • Use fluids and solvents that are compatible with equipment wetted parts. See Technical Data in all equipment manuals. Read fluid and solvent manufacturer's warnings. • Check equipment daily. Repair or replace worn or damaged parts immediately. • Do not alter or modify equipment. • Use equipment only for its intended purpose. Call your Graco distributor for information. • Route hoses and cables away from traffic areas, sharp edges, moving parts, and hot surfaces. • Do not kink or over bend hoses or use hoses to pull equipment. • Keep children and animals away from work area. • Comply with all applicable safety regulations. |
|  | <p>PRESSURIZED ALUMINUM PARTS HAZARD</p> <p>Do not use 1,1,1-trichloroethane, methylene chloride, other halogenated hydrocarbon solvents or fluids containing such solvents in pressurized aluminum equipment. Such use can cause serious chemical reaction and equipment rupture, and result in death, serious injury, and property damage.</p> |
|  | <p>MOVING PARTS HAZARD</p> <p>Moving parts can pinch or amputate fingers and other body parts.</p> <ul style="list-style-type: none"> • Keep clear of moving parts. • Do not operate equipment with protective guards or covers removed. • Pressurized equipment can start without warning. Before checking, moving, or servicing equipment, follow the Pressure Relief Procedure in this manual. Disconnect power or air supply. |
|  | <p>PERSONAL PROTECTIVE EQUIPMENT</p> <p>You must wear appropriate protective equipment when operating, servicing, or when in the operating area of the equipment to help protect you from serious injury, including eye injury, inhalation of toxic fumes, burns, and hearing loss. This equipment includes but is not limited to:</p> <ul style="list-style-type: none"> • Protective eyewear • Clothing and respirator as recommended by the fluid and solvent manufacturer • Gloves • Hearing protection |

Pressure Relief Procedure


WARNING


Follow **Pressure Relief Procedure** when you stop spraying and before cleaning, checking, servicing, or transporting equipment. Read warnings.

1. Engage trigger lock.
2. Close the bleed-type master air valve.
3. Disengage the trigger lock.
4. Hold a metal part of the gun firmly to a grounded metal pail. Trigger the gun to relieve pressure.
5. Engage the trigger lock.
6. Open all fluid drain valves in the system, having a waste container ready to catch drainage. Leave drain valve(s) open until you are ready to spray again.
7. If you suspect the spray tip or hose is clogged or that pressure has not been fully relieved after following the steps above, **VERY SLOWLY** loosen tip guard retaining nut or hose end coupling to relieve pressure gradually, then loosen completely. Clear hose or tip obstruction.

Trigger Lock

Always engage the trigger lock when you stop spraying to prevent the gun from being triggered accidentally by hand or if dropped or bumped.

Installation

⚠ WARNING

To reduce the risk of serious bodily injury from fluid injection or splashing in the eyes or on the skin, stop using the nozzle immediately if it starts to leak or cannot be turned easily.

Installing the Tip and Guard (Fig. 1 and Fig. 2)

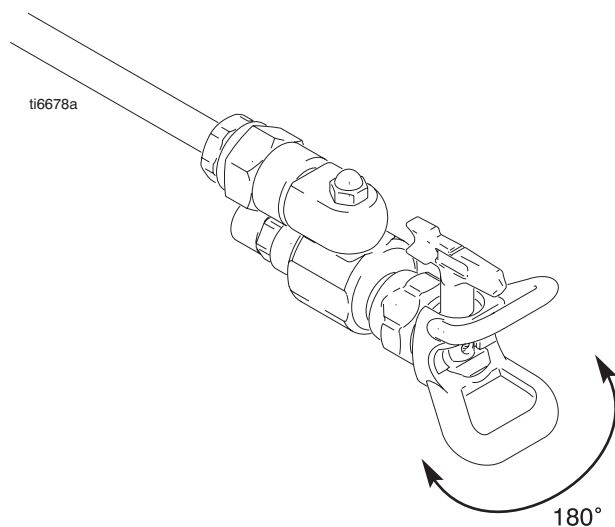


Fig. 1 _____

- 1 Without the spray tip installed, start sprayer, turn the knob on the Low Overspray CleanShot Valve counter-clockwise to the FLUSH position (Fig. 2).
- 2 Flush and prime the spray system.
- 3 Follow the **Pressure Relief Procedure** described in the warning pages of this manual.
- 4 Install the spray tip.
- 5 Turn the knob of the Low Overspray CleanShot Valve to SPRAY (Fig. 2).
- 6 Rotate the Low Overspray CleanShot Valve to any desired position within 180°. Do not use any tools.
- 7 Refer to your separate gun instruction manual for operating and tip cleaning instructions.
- 8 This adapter is repairable.

⚠ CAUTION

To avoid damage to the o-ring in the swivel:

- Relieve fluid pressure before rotating the swivel.
- Do not soak the entire swivel in solvent.

Flush and Spray

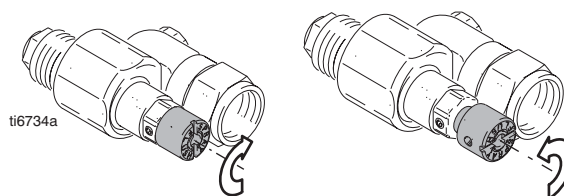


Fig. 2 _____

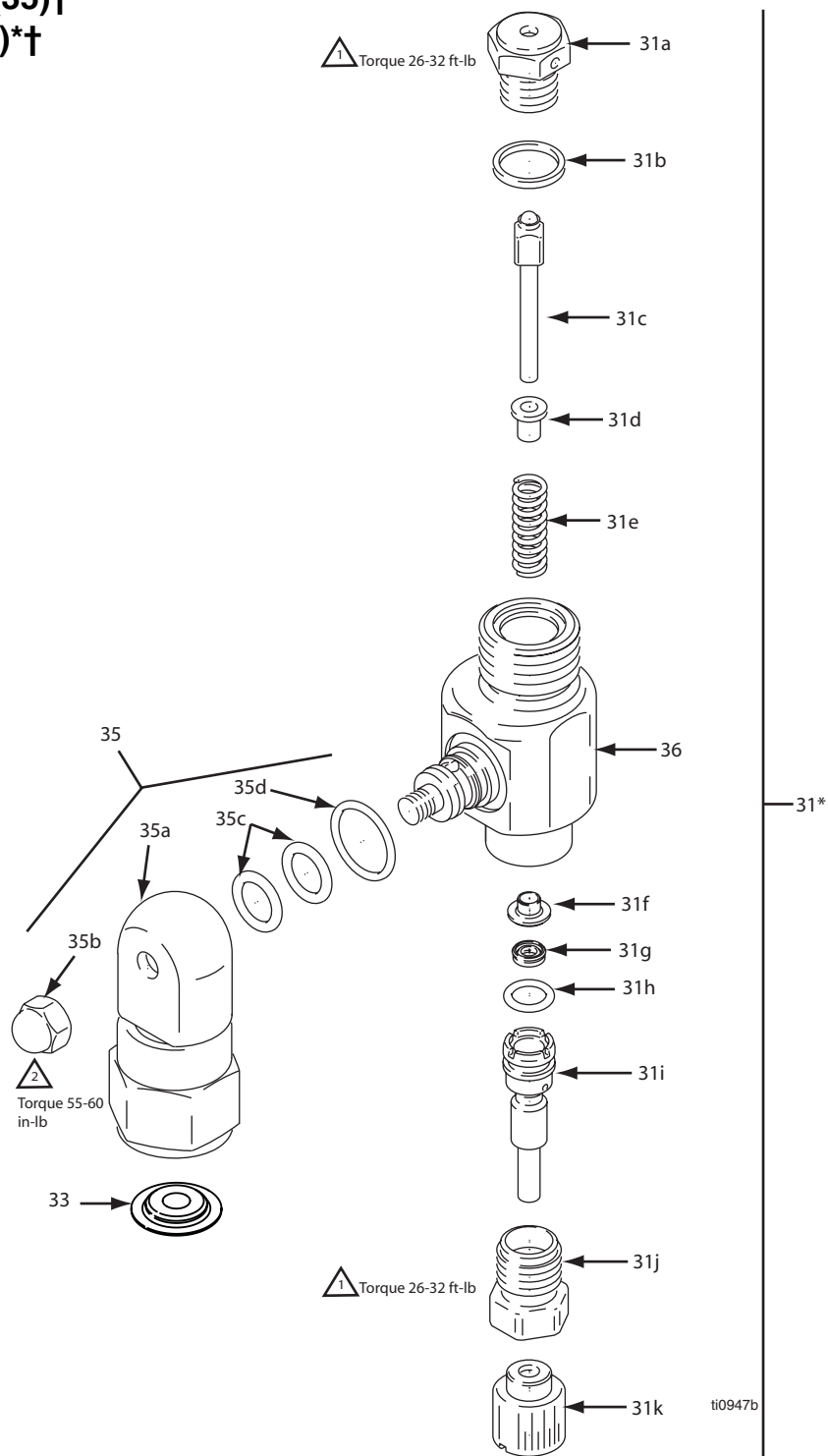
The Low Overspray CleanShot Valve provides two settings: SPRAY and FLUSH. The valve is factory set to the SPRAY position for spraying at pressures above 700 psi (4.8 MPa, 48 bar). Turn the valve (override) to the FLUSH position for flushing, cleaning, priming and relieving pressure. FLUSH is also used for low pressure spraying applications below 1000 psi (6.9 MPa, 69 bar).

Parts

CleanShot Repair Kit 244162 (31)

Swivel Repair Kit 244363 (35)†

Valve Body Kit 245687 (36)*†



* 36 Valve Body Kit must be purchased separately

† Series A and B

Parts List

| Ref. | No. | Part No. | Description | Qty. |
|------|-----|----------|--|------|
| | 31 | 244162 | KIT, CleanShot, repair includes 31a-31k | 1 |
| | 31a | | SEAT, valve | 1 |
| | 31b | | GASKET | 1 |
| | 31c | | RETAINER, ball | 1 |
| | 31d | | DAMPENER, spring | 1 |
| | 31e | | SPRING, compression | 1 |
| | 31f | | GUIDE, spring | 1 |
| | 31g | | SEAL, u-cup | 1 |
| | 31h | | PACKING, o-ring | 1 |
| | 31i | | RETAINER, u-cup | 1 |
| | 31j | | CAP, end, u-cup | 1 |
| | 31k | | KNOB, valve | 1 |
| | 33 | 15H622 | GASKET, non-metallic | 2 |
| | 35 | 244363 | KIT, swivel repair | 1 |
| | 35a | 244663 | SWIVEL, inlet assembly | 1 |
| | 35b | 120189 | NUT, cap | 1 |
| | 35c | 107505 | PACKING, o-ring | 2 |
| | 35d | 109576 | PACKING, o-ring | 1 |
| | 36 | 245687 | KIT, valve body | 1 |
| | 36a | | STUD, manifold | 1 |
| | 36b | | GASKET, nylon | 1 |
| | 36c | | VALVE, outlet | 1 |
| | | LL5321 | RAC 5 TIP, spray, striping (not shown) | |
| | | 243160 | RAC 5 HandTite Guard (not shown) | |

Technical Data

Wetted parts Aluminum, Tungsten, Carbide,
PTFE, Stainless Steel

Fluid inlet/outlet 7/8-14 UNF

Maximum working pressure 3600 psi (25 MPa,
248 bar)

Graco Standard Warranty

Graco warrants all equipment referenced in this document which is manufactured by Graco and bearing its name to be free from defects in material and workmanship on the date of sale to the original purchaser for use. With the exception of any special, extended, or limited warranty published by Graco, Graco will, for a period of twelve months from the date of sale, repair or replace any part of the equipment determined by Graco to be defective. This warranty applies only when the equipment is installed, operated and maintained in accordance with Graco's written recommendations.

This warranty does not cover, and Graco shall not be liable for general wear and tear, or any malfunction, damage or wear caused by faulty installation, misapplication, abrasion, corrosion, inadequate or improper maintenance, negligence, accident, tampering, or substitution of non-Graco component parts. Nor shall Graco be liable for malfunction, damage or wear caused by the incompatibility of Graco equipment with structures, accessories, equipment or materials not supplied by Graco, or the improper design, manufacture, installation, operation or maintenance of structures, accessories, equipment or materials not supplied by Graco.

This warranty is conditioned upon the prepaid return of the equipment claimed to be defective to an authorized Graco distributor for verification of the claimed defect. If the claimed defect is verified, Graco will repair or replace free of charge any defective parts. The equipment will be returned to the original purchaser transportation prepaid. If inspection of the equipment does not disclose any defect in material or workmanship, repairs will be made at a reasonable charge, which charges may include the costs of parts, labor, and transportation.

THIS WARRANTY IS EXCLUSIVE, AND IS IN LIEU OF ANY OTHER WARRANTIES, EXPRESS OR IMPLIED, INCLUDING BUT NOT LIMITED TO WARRANTY OF MERCHANTABILITY OR WARRANTY OF FITNESS FOR A PARTICULAR PURPOSE.

Graco's sole obligation and buyer's sole remedy for any breach of warranty shall be as set forth above. The buyer agrees that no other remedy (including, but not limited to, incidental or consequential damages for lost profits, lost sales, injury to person or property, or any other incidental or consequential loss) shall be available. Any action for breach of warranty must be brought within two (2) years of the date of sale.

GRACO MAKES NO WARRANTY, AND DISCLAIMS ALL IMPLIED WARRANTIES OF MERCHANTABILITY AND FITNESS FOR A PARTICULAR PURPOSE, IN CONNECTION WITH ACCESSORIES, EQUIPMENT, MATERIALS OR COMPONENTS SOLD BUT NOT MANUFACTURED BY GRACO. These items sold, but not manufactured by Graco (such as electric motors, switches, hose, etc.), are subject to the warranty, if any, of their manufacturer. Graco will provide purchaser with reasonable assistance in making any claim for breach of these warranties.

In no event will Graco be liable for indirect, incidental, special or consequential damages resulting from Graco supplying equipment hereunder, or the furnishing, performance, or use of any products or other goods sold hereto, whether due to a breach of contract, breach of warranty, the negligence of Graco, or otherwise.

FOR GRACO CANADA CUSTOMERS

The Parties acknowledge that they have required that the present document, as well as all documents, notices and legal proceedings entered into, given or instituted pursuant hereto or relating directly or indirectly hereto, be drawn up in English. Les parties reconnaissent avoir convenu que la rédaction du présente document sera en Anglais, ainsi que tous documents, avis et procédures judiciaires exécutés, donnés ou intentés, à la suite de ou en rapport, directement ou indirectement, avec les procédures concernées.

TO PLACE AN ORDER, contact your Graco distributor, or call 1-800-690-2894 to identify the distributor closest to you.

*All written and visual data contained in this document reflects the latest product information available at the time of publication.
Graco reserves the right to make changes at any time without notice.*

This manual contains English. MM 311103C

Graco Headquarters: Minneapolis

International Offices: Belgium, China, Japan, Korea

GRACO INC. P.O. BOX 1441 MINNEAPOLIS, MN 55440-1441

www.graco.com

311103C

Download from Www.Somania.com. All Manuals Search And Download.

Free Manuals Download Website

<http://myh66.com>

<http://usermanuals.us>

<http://www.somanuals.com>

<http://www.4manuals.cc>

<http://www.manual-lib.com>

<http://www.404manual.com>

<http://www.luxmanual.com>

<http://aubethermostatmanual.com>

Golf course search by state

<http://golfingnear.com>

Email search by domain

<http://emailbydomain.com>

Auto manuals search

<http://auto.somanuals.com>

TV manuals search

<http://tv.somanuals.com>