

Merkur ES Hopper Kit

334011B
EN

Material supply for Merkur ES spray packages. This manual contains kit installation instructions only.

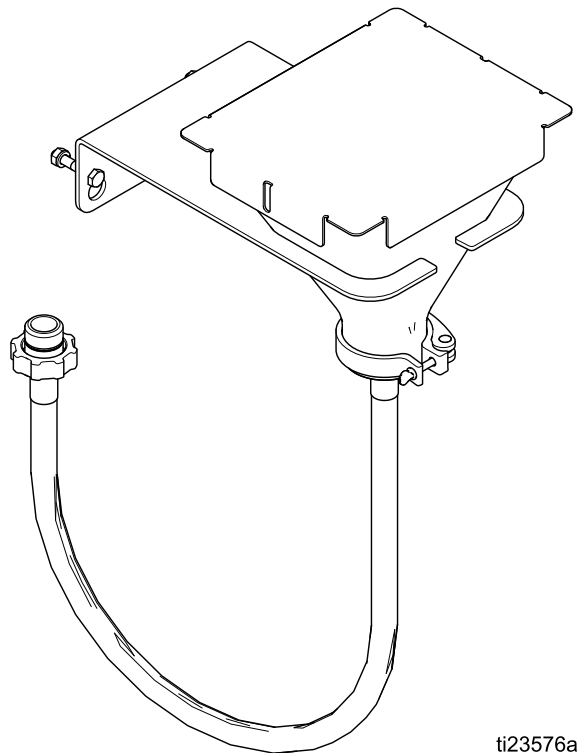


Important Safety Instructions

Read all warnings and instructions in this manual and in your Merkur ES Spray Package manual.

Save all instructions.

17A493, 2 Liter Hopper


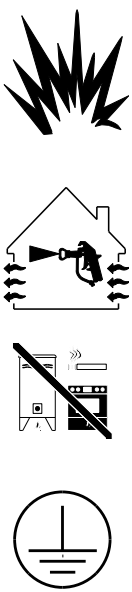








ti23576a

PROVEN QUALITY. LEADING TECHNOLOGY.

Warnings

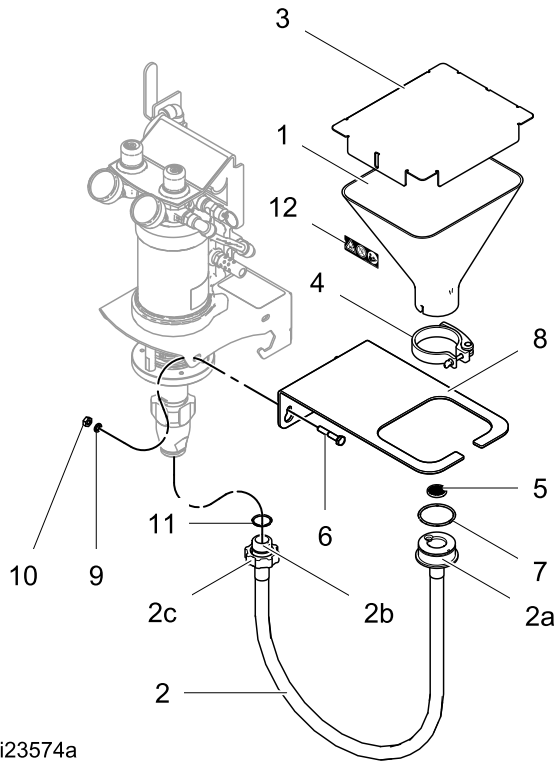
The following warnings are for the setup, use, grounding, maintenance, and repair of this equipment. The exclamation point symbol alerts you to a general warning and the hazard symbols refer to procedure-specific risks. When these symbols appear in the body of this manual or on warning labels, refer back to these Warnings. Product-specific hazard symbols and warnings not covered in this section may appear throughout the body of this manual where applicable.

 <h2 style="margin: 0;">WARNING</h2>	
	<p>FIRE AND EXPLOSION HAZARD</p> <p>Flammable fumes, such as solvent and paint fumes, in work area can ignite or explode. To help prevent fire and explosion:</p> <ul style="list-style-type: none"> • Use equipment only in a well ventilated area. • Eliminate all ignition sources; such as pilot lights, cigarettes, portable electric lamps, and plastic drop cloths (potential static arc). • Do not plug or unplug power cords or turn lights on or off when flammable fumes are present. • Keep work area free of debris, including solvent, rags, and gasoline. • Do not plug or unplug power cords, or turn power or light switches on or off when flammable fumes are present. • Ground all equipment in the work area. See Grounding Instructions, manual 3A0732. • Use only grounded hoses. • Hold gun firmly to side of grounded pail when triggering into pail. • If there is static sparking or you feel a shock, stop operation immediately. Do not use equipment until you identify and correct the problem. • Keep a working fire extinguisher in the work area.
	<p>SPECIAL CONDITIONS FOR SAFE USE</p> <p>Static charge may build up on plastic parts during cleaning and could discharge and ignite flammable vapors. To help prevent fire and explosion:</p> <ul style="list-style-type: none"> • Clean plastic parts only in well ventilated area. • Do not clean with a dry cloth. • Do not operate electrostatic guns in equipment work area.

 <h1 style="margin: 0;">WARNING</h1>	
 	<p>EQUIPMENT MISUSE HAZARD</p> <ul style="list-style-type: none"> • Misuse can cause death or serious injury. • Do not operate the unit when fatigued or under the influence of drugs or alcohol. • Use fluids and solvents that are compatible with equipment wetted parts. See Technical Data in all equipment manuals. Read fluid and solvent manufacturer's warnings. For complete information about your material, request MSDS from distributor or retailer. • Do not leave the work area while equipment is energized or under pressure. Turn off all equipment and follow the Pressure Relief Procedure when equipment is not in use. • Check equipment daily. Repair or replace worn or damaged parts immediately with genuine manufacturer's replacement parts only. • Do not alter or modify equipment. • Use equipment only for its intended purpose. Call your distributor for information. • Route hoses and cables away from traffic areas, sharp edges, moving parts, and hot surfaces. • Do not kink or over bend hoses or use hoses to pull equipment. • Keep children and animals away from work area. • Comply with all applicable safety regulations.
	<p>TOXIC FLUID OR FUMES</p> <p>Toxic fluids or fumes can cause serious injury or death if splashed in the eyes or on the skin, inhaled, or swallowed.</p> <ul style="list-style-type: none"> • Read MSDSs to know the specific hazards of the fluids you are using. • Store hazardous fluid in approved containers, and dispose of it according to applicable guidelines.
	<p>PERSONAL PROTECTIVE EQUIPMENT</p> <p>Wear appropriate protective equipment when in the work area to help prevent serious injury, including eye injury, hearing loss, inhalation of toxic fumes, and burns. This equipment includes but is not limited to:</p> <ul style="list-style-type: none"> • Protective eyewear, and hearing protection. • Respirators, protective clothing, and gloves as recommended by the fluid and solvent manufacturer.

Installation

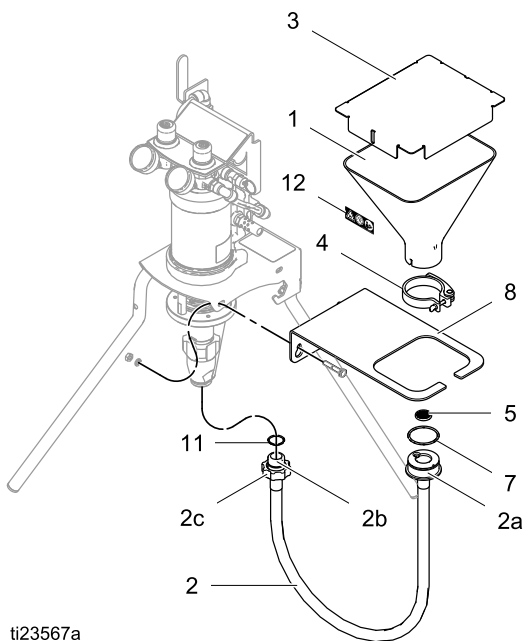
Wall Packages



ti23574a

1. Install bracket to the side of the existing air motor bracket. Secure using bolts (6), washers (9), and nuts (10).
2. Slip bracket holes over bolt heads and slide into place.
3. Tighten bolts.
4. Grease adapter o-ring (11).
5. Install pump hose fitting (2b) into the lower and tighten the jam nut (2c)
6. Open clamp (4) around hopper outlet.
7. Use 7/8" hex on outlet hose fitting (2a) to rotate the hose in the hopper (1) for optimal fit in the bracket (8).
8. Tighten the adjustable screw on the clamp (4) and close latch.
NOTE: The adjustable screw should be tight enough that the latch on the clamp has firm resistance when closing.

Stand Packages

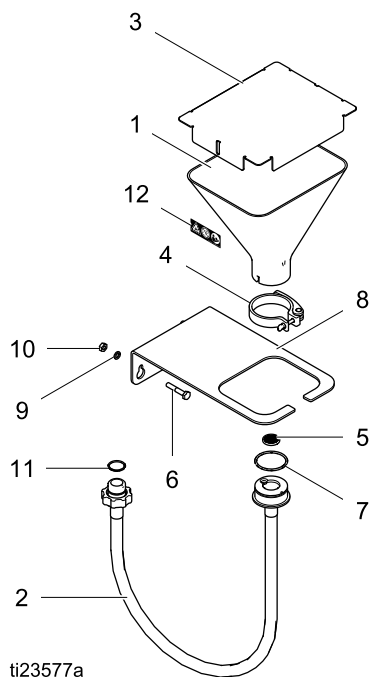


ti23567a

1. Loosen the two stand bolts on either side of the existing air motor bracket.
NOTE: Nuts (10), washers (9), and bolts (6) are used with wall packages only.
2. Slip bracket holes over bolt heads and slide into place.
3. Tighten bolts.
4. Grease adapter o-ring (11).
5. Install pump hose fitting (2b) into the lower and tighten the jam nut (2c).
6. Open clamp (4) around hopper outlet.
7. Use 7/8" hex on outlet hose fitting (2a) to rotate the hose in the hopper (1) for optimal fit in the bracket (8).
8. Tighten the adjustable screw on the clamp (4) and close latch.
NOTE: The adjustable screw should be tight enough that the latch on the clamp has firm resistance when closing.

Parts

Hopper Kit 17A493 Parts



Ref No.	Description	Qty.
1	HOPPER, 2L	1
2	HOSE, Low Pressure Suction Hose	1
3	COVER	1
4	CLAMP, Quick Release	1
5*	SCREEN, SST 30 Mesh	1
6	SCREW, 1/4"-20x5/8"	2
7 ■	O-RING	1
8	BRACKET	2
9	WASHER	2
10	NUT	2
11 ■	O-RING	1
12 ▲	LABEL, warning	1

* These parts are included in kit 17B207 (pack of 5)

■ These parts are included in repair kit 17B208

▲ Replacement Danger and Warning labels, tags, and cards are available at no cost. Order part number 17A366.

Kit and Accessories

Kit Description	Part No.
Screens (pack of 5)	17B207
Suction Hose O-rings	17B208

Kit Description	Part No.
Bungee Cord	17C166
Clamp	17B831

Technical Data

	U.S.	Metric
Maximum fluid temperature	160°F	71°C
Ambient air temperature range	35–120°F	2–49°C
Hopper assembly wetted parts	Nylon, acetal, polyethylene	

Graco Information

For the latest information about Graco products, visit www.graco.com. For patent information, see www.graco.com/patents.

To place an order, contact your Graco Distributor or call to identify the nearest distributor.

Phone: 612-623-6921 or **Toll Free:** 1-800-328-0211 **Fax:** 612-378-3505

All written and visual data contained in this document reflects the latest product information available at the time of publication. Graco reserves the right to make changes at any time without notice.

Original Instructions. This manual contains English, MM 3A0732

Graco Headquarters: Minneapolis

International Offices: Belgium, China, Japan, Korea

GRACO INC. AND SUBSIDIARIES • P.O. BOX 1441 • MINNEAPOLIS, MN 55440-1441 • USA

Copyright 2014, Graco Inc. All Graco manufacturing locations are registered to ISO 9001.

www.graco.com

Revision B, August 2014

Free Manuals Download Website

<http://myh66.com>

<http://usermanuals.us>

<http://www.somanuals.com>

<http://www.4manuals.cc>

<http://www.manual-lib.com>

<http://www.404manual.com>

<http://www.luxmanual.com>

<http://aubethermostatmanual.com>

Golf course search by state

<http://golfingnear.com>

Email search by domain

<http://emailbydomain.com>

Auto manuals search

<http://auto.somanuals.com>

TV manuals search

<http://tv.somanuals.com>