



ES 450/30 Art. 4060

- D Gebrauchsanweisung**  
Elektro-Rasenlüfter
- 
- GB Operating Instructions**  
Electric Lawn Scarifier
- 
- F Mode d'emploi**  
Aérateur électrique
- 
- NL Gebruiksaanwijzing**  
Elektrische gazonbeluchter
- 
- S Bruksanvisning**  
Elektrisk Gräsmattluftare
- 
- I Istruzioni per l'uso**  
Arieggiatore elettrico
- 
- E Manual de instrucciones**  
Aireador de césped eléctrico
- 
- P Instruções de utilização**  
Arejador de relva eléctrico
- 
- DK Brugsanvisning**  
Elektrisk Plæneluffer

**D**

Bitte lesen Sie diese Gebrauchsanweisung vor Montage und Inbetriebnahme Ihres Gerätes sorgfältig. Beim Lesen der Gebrauchsanweisung bitte die Umschlagseite herausklappen.

Inhaltsverzeichnis	Seite
1. Technische Daten	6
2. Hinweise zur Gebrauchsanweisung	6
3. Ordnungsgemäßer Gebrauch	6
4. Montage	6
5. Inbetriebnahme	7
6. Richtiges Lüften	7
7. Wartung, Pflege und Aufbewahrung	8
8. Hinweise zur ordnungsgemäßen Benutzung, Sicherheitshinweise	9
9. Störungen	10
Garantie	61

**GB**

Please read these operating instructions carefully before assembling and using your Electric Lawn Scarifier. Unfold inside cover pages to read the operating instructions.

Contents	Page
1. Technical Data	12
2. Operating Instructions Information	12
3. Proper Use	12
4. Assembly	12
5. Putting into Operation	13
6. Correct Aerating	13
7. Maintenance, Care and Storage	14
8. Advice for Proper Use / Safety Instructions	15
9. Faults	16
Guarantee	61

**F**

Nous vous remercions de bien vouloir lire attentivement ce mode d'emploi avant le montage et l'utilisation de votre appareil. Dépliez le 2ème volet de la couverture pour avoir les illustrations sous les yeux pendant la lecture du mode d'emploi.

Contenu	Page
1. Caractéristiques techniques	18
2. Informations sur le mode d'emploi	18
3. Domaine d'utilisation	18
4. Montage de l'aérateur électrique	18
5. Mise en service	19
6. Conseils pour bien aérer sa pelouse	19
7. Maintenance, entretien et stockage	20
8. Conseils de sécurité et précautions d'emploi	21
9. Incidents de fonctionnement	22
Garantie	61

**NL**

Lees deze gebruiksaanwijzing voor de montage en ingebruikname van het apparaat zorgvuldig door. Bij het lezen van de gebruiksaanwijzing de omslagzijde open slaan.

Inhoudsopgave	Pagina
1. Technische gegevens	24
2. Aanwijzing bij de gebruiksaanwijzing	24
3. Juiste gebruik	24
4. Montage	24
5. Ingebruikname	25
6. Op de juiste manier beluchten	25
7. Onderhoud en opslag	26
8. Aanwijzing voor het juiste gebruik, veiligheidstips	27
9. Storingen	28
Garantie	61

**S**

Läs omsorgsfullt igenom bruksanvisningen och säkerhetsföreskrifterna innan Du tar Elektrisk Gräsmattluftare i bruk. Ha omslaget utvikt när Du läser bruksanvisningen.

Innehåll	Sida
1. Tekniska data	30
2. Anvisningar till bruksanvisningen	30
3. Rätt användning	30
4. Montering av Elektrisk Gräsmattluftare	30
5. Start	31
6. Anvisning för korrekt luftning	31
7. Underhåll, skötset och förvaring	32
8. Anvisningar för riktig användning / Säkerhetsanvisningar	33
9. Felsökning	34
Garanti	61

**I**

Prima di montare e mettere in uso l'attrezzo, leggere attentamente le istruzioni tenendo aperto il pieghevole per avere sott'occhio i disegni esplicativi.

Indice	Pagina
1. Dati tecnici	36
2. Avvertenze	36
3. Uso corretto	36
4. Montaggio	36
5. Messa in uso	37
6. Modalità funzionali	37
7. Manutenzione	38
8. Norme d'uso e di sicurezza	39
9. Anomalia di funzionamento	40
Garanzia	62

**E**

Lea detenidamente estas instrucciones de este montaje y de la puesta en marcha del aparato. Durante la lectura, rogamos desdoble la portada.

Indice	Página
1. Datos técnicos	42
2. Indicaciones al manual de instrucciones	42
3. Uso correcto	42
4. Montaje	42
5. Puesta en marcha	43
6. Airear correctamente	44
7. Mantenimiento, conservación, almacenamiento	44
8. Indicaciones para un correcto uso / indicaciones de seguridad	45
9. Anomalías	46
Garantía	62

**P**

Leia atentamente estas instruções antes de montar ou utilizar esta aparelho. Para ler este manual de instruções, desdobre a capa.

Indice	Página
1. Dados técnicos	49
2. Informação sobre as instruções de utilização	49
3. Utilização correcta	49
4. Montagem	49
5. Colocação em funcionamento	50
6. Arejar a relva correctamente	51
7. Manutenção, conservação e armazenagem	51
8. Conselhos para uma utilização correcta / instruções de segurança	52
9. Falhas	53
Garantia	62

**DK**

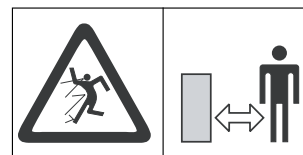
Læs denne brugsanvisning omhyggeligt igennem før montering og igangsætning af apparatet. Klap brugsanvisningens omslagsside ud under læsningen.

Inhold	Side
1. Tekniske data	55
2. Henvisninger til brugsanvisningen	55
3. Korrekt anvendelse	55
4. Montering	55
5. Igangsætning	56
6. Rigtig luftning	56
7. Vedligeholdelse, pleje og opbevaring	57
8. Henvisninger til den korrekte anvendelse, sikkerhedshenvisninger	58
9. Fejl	59
Garanti	62

Beachten Sie die Sicherheits-hinweise auf dem Gerät:  
Please adhere to the following safety instructions on the casing:  
Veuillez respecter les consignes de sécurité figurant sur l'appareil :  
Houdt rekening met de veiligheidsaanwijzingen op het apparaat:  
Följ följande säkerhetsanvisningar:  
Attenzione ai simboli di sicurezza riportati sull'attrezzo:  
Observen las indicaciones de seguridad en el aparato:  
Por favor siga atentamente as instruções de segurança fornecidas no aparelho:  
lagtag sikkerhedshenvisningerne på apparatet:

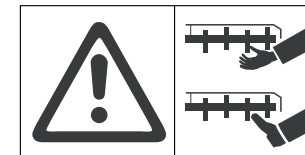


**Achtung! Vor Inbetriebnahme Gebrauchsanweisung lesen!**  
**Warning! Read instruction handbook!**  
**Attention! Merci de lire attentivement le mode d'emploi avant d'utiliser cet appareil!**  
**Let op! Voor ingebruikname gebruiksaanwijzing doorlezen!**  
**OBS! Läs bruksanvisningen före bruk.**  
**Attenzione! Prima di mettere in uso l'attrezzo, leggere attentamente le istruzioni!**  
**¡Atención! Antes de la puesta en marcha, lea el manual de instrucciones.**  
**Atenção! Leia atentamente este manual de instruções antes de usar o aparelho.**  
**OBS! Før igangsætning skal brugsanvisningen læses!**

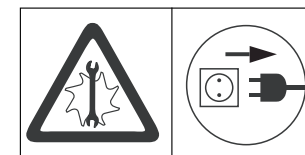


**Dritte aus dem Gefahrenbereich fernhalten!**  
**Keep bystanders away!**  
**Maintenez tout tiers hors de la zone de travail!**  
**Zorg ervoor dat derden buiten de gevarenzone blijven!**

Håll säkerhetsavstånd till andra personer.  
Tenere lontano i terzi dalla zona di lavoro!  
¡Mantener alejados a terceros del área de trabajo!  
Mantenha terceiros fora da área de perigo!  
Andre personer må ikke komme ind i fareområdet!

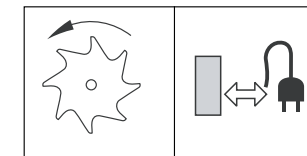


**Scharfe Zinken – von Fingern und Füßen entfernt halten. Verletzungsgefahr!**  
**Sharp tines – beware of cutting fingers or toes. Danger of injury.**  
**N'approchez ni vos mains ni vos pieds du rouleau d'aération – risque de blessures!**  
**Scherpe beluchtungsveren – weghouden van vingers en voeten.**  
**Verwondingsgevaar!**  
**Skarpa spröt – håll avstånd från fingrar och fötter. Fara för personskador.**  
**Tenere mani e piedi lontani dal cilindro aeratore. Pericolo di lesioni!**  
**Dientes afilados – mantener alejado de los dedos y pies. ¡Peligro de lesiones!**  
**Dentes afiados! Mantê-los afastados dos dedos e dos pés. Perigo de ferimentos!**  
**Skarpe tænder – må ikke komme i nærheden af fingre og fødder.**  
**Fare for kvæstelser!**

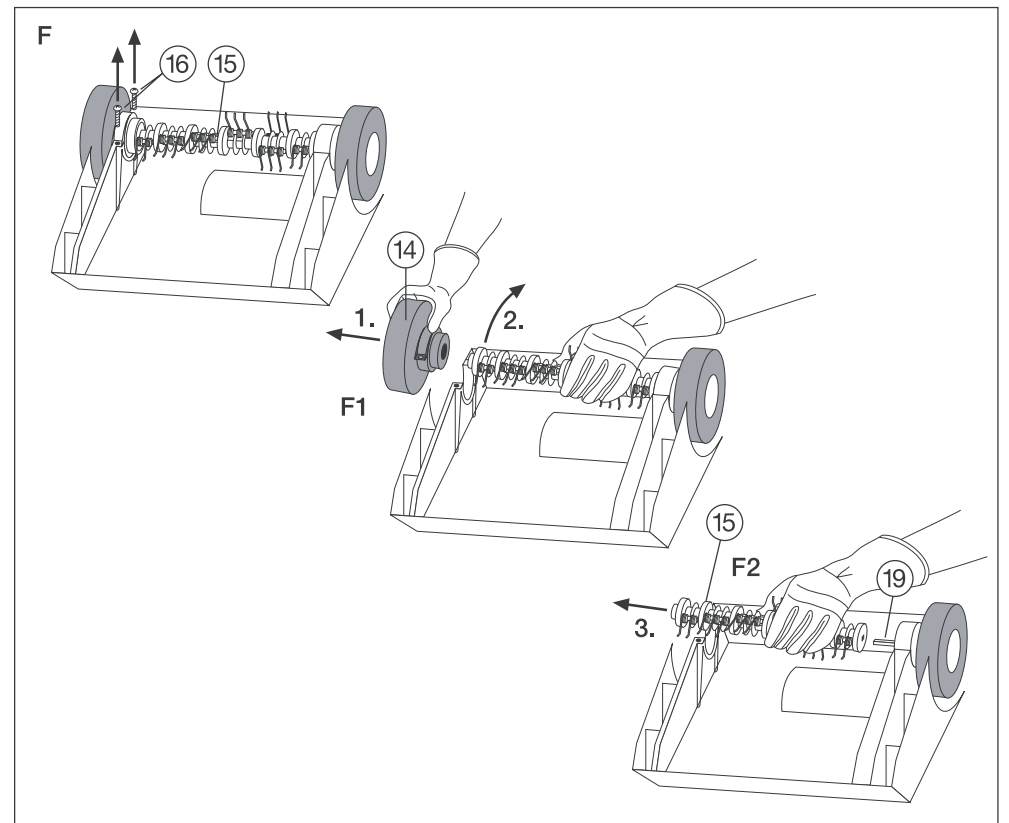
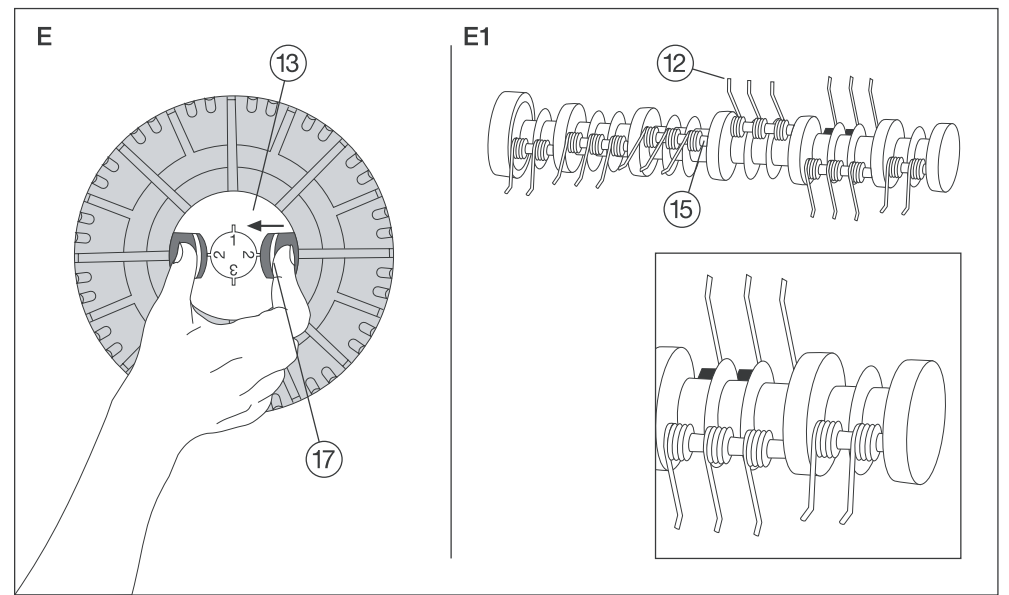
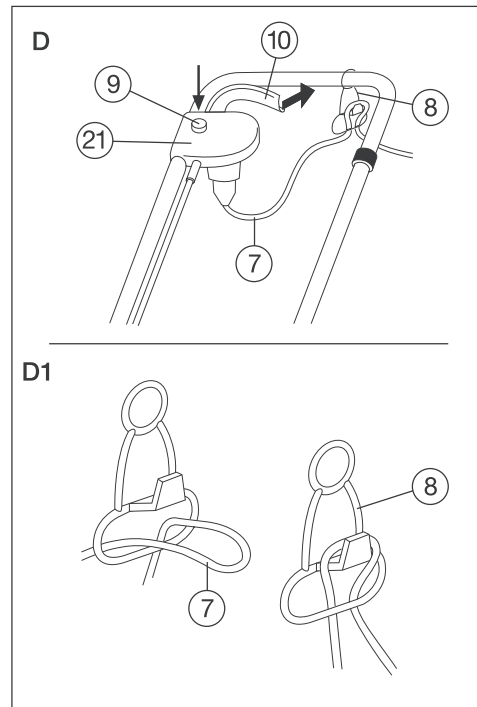
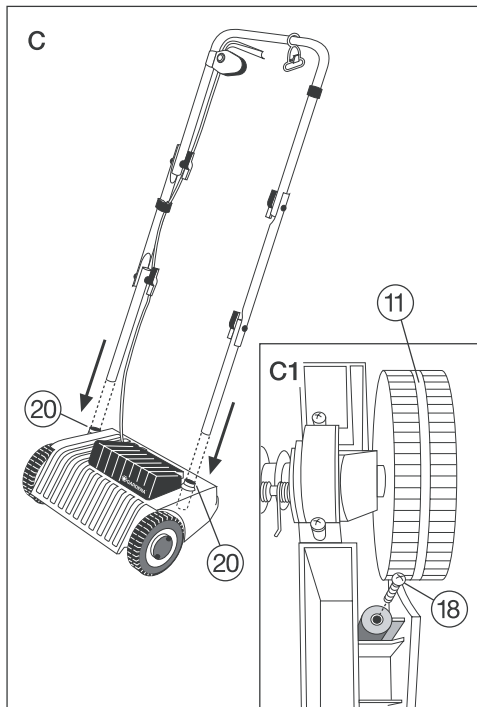
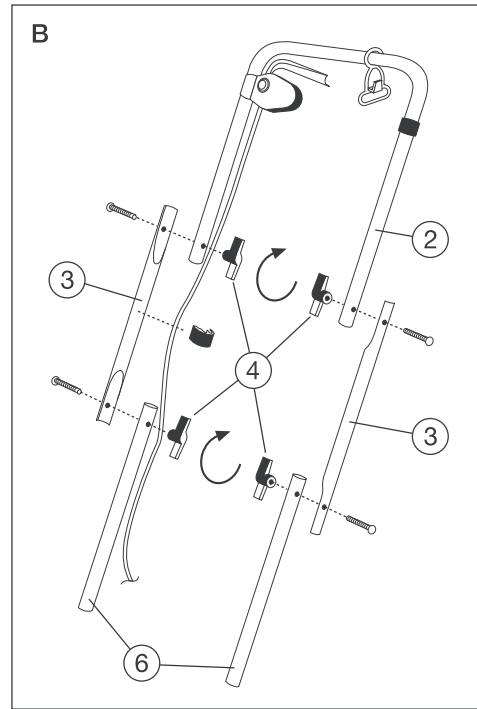
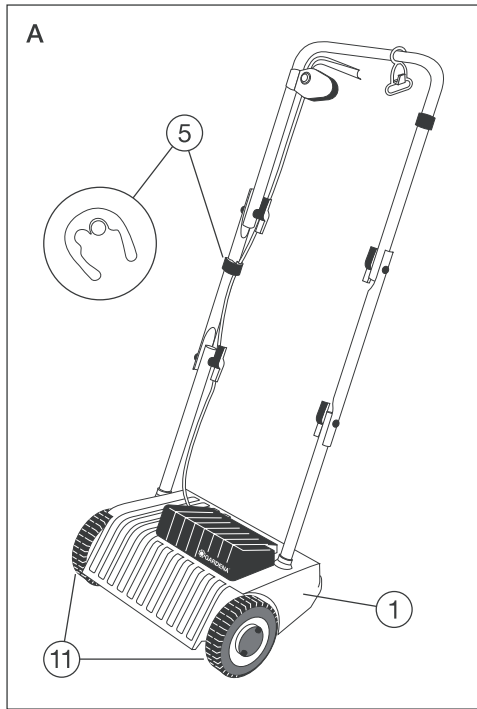


**Vor Arbeiten am Schneidwerkzeug Netzstecker ziehen!**  
**Before maintenance, disconnect the plug from the mains!**  
**Débranchez l'appareil avant toute intervention sur le système de coupe!**  
**Voor werkzaamheden aan de snijinrichting, de stekker uit het stopcontact halen!**

Dra ut stickkontakten före underhåll av maskinen.  
Prima di qualsiasi intervento di manutenzione, staccare la spina dalla corrente!  
Para ejecutar trabajos de limpieza, control o de mantenimiento desenchufe el aparato.  
Antes de qualquer operação de reparação desligue a ficha da tomada.  
Før arbejde på skæreværktøjet skal netstikket trækkes ud!



**Achtung! Netzanschlussleitung von der Maschine fernhalten. Teile laufen nach Abschalten der Maschine nach.**  
**Caution! Keep the mains cable away from the aerator. The aerator does not stop immediately after the motor has been turned off.**  
**Attention! Eloignez le câble d'alimentation de l'appareil. Après l'arrêt du système de coupe, certaines pièces continuent de tourner quelques instants.**  
**Let op! Netaansluiting weghouden van de machine. Onderdelen lopen nog door na het uitschakelen van de machine.**  
**OBS! Håll strömkabeln på avstånd från maskinen. Luftarvalse stannar inte omedelbart efter avstängning av maskinen.**  
**Attenzione! Quando si spegne l'attrezzo, il cilindro aeratore gira ancora alcuni istanti per inerzia! Tenere lontano il cavo di alimentazione. ¡Atención! Mantener alejado de la máquina el cable de conexión a la red. Las piezas de la máquina continúan moviéndose por inercia después de desconectarla.**  
**Atenção! Manter o cabo de ligação afastado da máquina. Alguns componentes da máquina continuam a girar por algum tempo, após a mesma ter sido desligada.**  
**OBS! Netledningen må ikke komme i nærheden af maskinen. Dele fortsætter efter frakobling af apparatet.**



# GARDENA Electric Lawn Scarifier ES 450/30


## 1. Technical Data

Power consumption	450 W
Voltage	230 V
Frequency	50/60 Hz
Working speed of the tool	2500 - 2800 rpm
Aerator width	30 cm
Working depth	max. 4 mm
Working area related emission characteristic value $L_{pA}^{1)}$	78 dB (A)
Noise level $L_{WA}^{2)}$	91 dB (A)
Vibrations $a_{vhv}^{1)}$	≤ 2.5 ms <sup>-2</sup>

Measuring method according to  
1) EN 60335-1 2) directive 2000/14/EC

## 2. Operating Instructions Information

Please read and follow these operating instructions carefully. Familiarise yourself with the unit's features, its proper use and the safety instructions included.

 **For safety reasons children under the age of 16 or people not familiar with these operating instructions**

**must not use this Electric Lawn Scarifier.**


**Please keep these instructions in a safe place.**

## 3. Product use

The GARDENA Electric Lawn Scarifier ES 450/30 is designed for aerating lawns and grassy areas in private domestic and hobby gardens.

It is not designed for use in public facilities, parks, sporting grounds, on roads, in agriculture or forestry.

It is essential to observe the manufacturer's operating instructions to ensure the unit's proper functioning. The operating instructions also contain advice for service, maintenance and repair.

 **Attention! To prevent injury, the Electric Lawn Scarifier must not be used for trimming bushes, hedges and shrubs. In addition, the Electric Lawn Scarifier must not be used for levelling irregularities in the soil.**

## 4. Assembly

### 4.1 Checking all the Parts are Included

The Lawn Scarifier box contains the following parts:

- Electric Lawn Scarifier ES 450/30
- 2 lower sections of the guide handle
- 2 middle sections of the guide handle
- 1 upper section of the guide handle (frame with switch/plug combination and strain relief device)
- Assembly parts and cable clip for guide handle in a plastic bag

- Operating instructions

### 4.2 Operating Parts

- ① Lawn scarifier housing
- ② Upper section of the guide handle
- ③ Middle sections of the guide handle
- ④ Wing nuts with bolts
- ⑤ Cable clip
- ⑥ Lower sections of the guide handle
- ⑦ Extension cable (not included)
- ⑧ Cable relief device
- ⑨ Release knob
- ⑩ Starting lever

- ⑪ Wheels
- ⑫ Springs
- ⑬ Adjustment unit
- ⑭ Wheel with end plate
- ⑮ Aerator
- ⑯ Screws for end plate
- ⑰ Retaining spring
- ⑱ Screws for guide handle
- ⑲ Drive shaft (receptacle square bar)
- ⑳ Receptacle holes
- ㉑ Switch/plug combination

### 4.3 Assembling the Guide Handle (Fig. B)

**Warning! When assembling the guide handle ensure that the mains cable is free, that it is not squashed in the parts of the handle which are connected and is not pulled.**

Assemble the guide rail as follows:

1. Guide the upper section of the guide handle ② into the

- grooves in both sides of the two middle sections of the guide rail ③.
2. Screw the upper section ② to the middle sections of the guide handle ③ using the wing nuts and bolts provided ④.
3. Clip the cable clip ⑤ with the cable threaded through onto the inner side of the guide handle.
4. Guide both lower sections of the guide handle ⑥ into the

- grooves in the middle sections ③ of the guide handle.
5. Screw both lower sections of the guide handle ⑥ to the middle sections ③ using the wing nuts ④ provided.
6. Insert the assembled guide handle into the holes ㉑, Fig. C.
7. Screw the assembled guide handle from below to the housing of the Lawn Scarifier using the screws provided ⑩ (Fig. C/C 1).

## 5. Putting into Operation

### 5.1 Connecting the Unit – Cable Lock / Extension Cable (Fig. D 1)

1. First plug the extension cable ⑦ from below into the base socket of the combination switch/plug.
2. Loop the extension cable ⑦ and insert it into the cable lock ⑧ on the guide handle, allow the lead to the socket to sag a little.  
**Note:** The cable lock prevents unintentional disconnection of the electricity.

**Note: When in operation, the mains cable must always be guided in the direction you are working at the side of the area you are aerating. Always work away from the mains cable.**


### 5.2 Starting up (Fig. D)


1. Stand the scarifier on an even part of the lawn.  
**Note: Always maintain the safety distance from the aerator indicated by the length of the guide handle. Danger of injury!**
2. To start the scarifier, press the release button ⑨ on the switch/plug combination and hold it down. At the same time, pull the starting lever ⑩ with the other hand towards the handle.
3. When the motor is running, you can release the release button ⑨. If you release the starting lever ⑩ the motor switches off.

### Blockage Protection

If the aerator is blocked by a foreign body or if the motor is

overloaded, the motor is automatically switched off by the blockage protection. Wait for approx. 1 minute and start the scarifier again.

 **Warning! If you do not release the starting lever ⑩, the scarifier automatically switches on again after approx. 1 minute. Danger of injury.**

 **The safety devices installed on the scarifier by GARDENA must not be removed or bridged, e.g. by tying the starting lever ⑩ to the guide handle. The scarifier can then no longer switch off automatically. Danger of injury.**

**Warning! The aerator does not stop immediately after the motor has been turned off!**

## 6. Correct Aerating

The aerator cylinder can be used for removing matting and moss in the lawn as well as for cutting flat-rooting ranks.


(e.g. while you were away on holiday).

**Recommendation: the shorter you mow your lawn, the easier it is to aerate, thus lessening the strain on the scarifier and increasing the lifetime of the aerator.**

**Note:** Remaining in one spot for too long while aerating can damage the grass.

1. First of all, mow your lawn to the length you require. We particularly recommend this if the grass has grown tall
2. For good results, guide the Lawn Scarifier at an appropriate speed in strips as straight as possible across your lawn.

To prevent leaving gaps, the strips should always overlap by a few centimetres.

 **Warning! The rotating aerator can cause injuries. Always push the scarifier at a walking pace. When working on inclines always stand diagonally to the incline in a sturdy, safe stance. Do not work on extremely steep slopes. Danger of injury.**

**To prevent tripping, take particular care when moving backwards and when pulling the scarifier.**

- When turning the scarifier, always turn the cable strain relief device ⑧ on the guide handle to the side you are working on. This makes it considerably easier to guide the cable.
- When aerating areas of very mossy lawn we recommend re-sowing the lawn after aerating.

This helps the areas of lawn which were replaced by moss to regenerate more quickly.


- After using the scarifier, disconnect the mains plug, remove the grass etc. from the wheels and clean the aerator cylinder.

**Important! Do not rinse the scarifier with water.**

 **Note: To prevent injury, wear protective gloves!**

**6.2 Transport**  
**Important! Switch off the motor, remove the mains plug from the socket and wait until the tool has stopped moving.**

When moving the scarifier over sensitive surfaces, e.g. tiles, we recommend you carry the scarifier.

 **Warning! The aerator does not stop immediately after the motor has been turned off. Danger of injury due to spring prongs.**

## 7. Maintenance, Care and Storage

### 7.1 Adjusting the Aerator (Fig. E/E1)

Like every technical unit the Lawn Scarifier has wear by using. The more intensive use the bigger will be natural abrasion. Hard and heavy soils accelerate wear also like over-proportional use of the scarifier, e.g. by lending it often or improper handling. If the results of your work with the aerator become increasingly worse the aerator can be adjusted up to two steps lower. If the springs have worn down to the bend (Fig. E1) we recommend you exchange the aerator as described in "Exchanging the Aerator".

#### Adjusting Positions of the Aerator

The aerator has the following adjusting positions:

##### Position 1

Position set at the factory

##### Position 2

First adjustment position after wear (aerator lowered by 5 mm)

##### Position 3

Second adjustment position after wear (aerator lowered by a further 5 mm)

#### Adjusting the Position (Fig. E)

The adjusting unit ⑬ in the centre of the wheels is optimally factory pre-set (position 1).

**Tip:** Adjusting the aerator without visible wear of springs could damage the aerator.

If the aerator is worn it can be adjusted as follows:

- Turn off the scarifier, remove the mains plug from the socket and wait until the aerator has stopped turning. Keep your hands and feet away from the rotating parts.**
- Press the retaining spring ⑰ together and pull out the adjustment unit ⑬ **on the right hand side of the aerator in the direction of movement** (i.e. on the right hand side when standing behind the aerator) approx. 6 mm.
- Turn the adjustment unit ⑬ until the next highest number is in the 12 o'clock position.
- Re-attach the wheel to the axle by pressing the middle of the adjustment unit ⑬ until the retaining spring ⑰ provides an audible snap-in. The wheel is now re-attached to the axle. **Note:** If necessary remove all dirt and contamination from the recesses.
- Repeat points 1-4 with the adjustment unit ⑬ **on the left hand side of the aerator in the direction of movement** (i.e. on the left hand side when standing behind the aerator). **Important!** This time you must turn the adjustment unit


⑬ in an **anticlockwise** direction.

#### Important information:

The aerator must be set to the **same number** on both sides.

### 7.2 Exchanging the Aerator (Fig. F)

After you have adjusted the aerator twice (lowered twice) the aerator cylinder must be exchanged. A new aerator cylinder is available from GARDENA Service, Art. No. 4097.

 **Warning! Danger of injury due to spring prongs. Wear protective gloves.**


Change the aerator as follows:

- Turn off the scarifier, remove the mains plug from the socket and wait until the aerator has stopped rotating.**
- Turn the scarifier over so the aerator cylinder is facing upwards (Fig. F).
- Loosen the two screws ⑯ of the end plate ⑭ using a Phillips screw driver (Fig. F).
- Lift the wheel with the end plate ⑭ diagonally until you can remove the aerator from the square bar ⑰ of the drive shaft (Fig. F1).
- Remove the aerator ⑮ by tilting and pulling it from the receptacle square bar of the drive shaft ⑰ (Fig. F2).

- Insert the new aerator with the square bar hole on the receptacle square bar ⑰.
- Replace the wheel with end plate ⑭ on the mount of the aerator cylinder and secure with the two screws ⑯.
- Set the adjustment unit ⑬ to 1 as described in "Adjusting the Position".

**Note:** Ensure that the parts are not under stress when installed and that the screws in the end plate are not overturned.

### 7.3 Care

 **Warning: Always disconnect the mains plug before working on the scarifier!**

Clean the wheels of the scarifier immediately after you have used it to remove grass etc.

**Important! Do not rinse the scarifier with water.**

Also remove grass etc. from the aerator cylinder.

**Important: To prevent damaging the scarifier, do not use hard or sharp objects to remove the grass.**

**Note:** Mixed with cooling air that was taken in, the air inlets may collect dirt. Therefore remove all dirt from the air inlets before putting into operation.

### 7.4 Storage

Always store the scarifier in a closed room.

## 8. Advice for Proper Use / Safety Instructions

 **Checks before each Operation**

Inspect the unit before each use. Do not use the Electric Lawn Scarifier if safety devices (starting lever; safety cover) are damaged or worn. Never operate the unit with the safety devices by-passed or missing.

**Note:** Ensure that all nuts, bolts and screws are tight and that the scarifier is in good working order. For safety reasons, allow all worn out and damaged parts to be exchanged by GARDENA Service or authorised specialist dealers.

Inspect the area to be aerated before beginning work. Remove any foreign objects (e.g. stones) from the area. Check the working area for foreign objects (e.g. stones, branches) during work.

 **Proper Use / Responsibility**

**This Electric Lawn Scarifier can cause serious injuries! You are responsible for the safety of the working area.**

**Only use the Electric Lawn Scarifier for the purposes specified in these instructions.**

**Only work when visibility is good.**

Familiarise yourself with the surroundings of your working area. Check for possible risks which might be not audible due to the noise of the machine.

Wear sturdy shoes and long trousers to protect your legs.

Keep fingers and feet away from the aerator cylinder. **Danger of injury!**

Make sure that there are no other people (especially children) or animals anywhere near the working area.

Always push the scarifier at a walking pace.

Ensure that you have a secure foothold when working. The cable should always be kept away from the aerating area. **Attention!** Take extra care when walking backwards. You may stumble!

If, in spite of this, you contact any obstruction when cutting, turn off the Electric Lawn Scarifier and remove the obstruction. Check the unit for damage and have it repaired if necessary.

 **Interruptions of Work**

**Never leave the Electric Lawn Scarifier unattended at the working area.**

If you interrupt your work store the unit in a safe place. **Disconnect the mains plug!**

When you interrupt work in order to go to another working area, always switch off the Electric Lawn Scarifier during transport.

 **Check the Environment**

Never use the unit when it is raining or in damp or wet areas.

Do not operate your Electric Lawn Scarifier near swimming pools or garden ponds.

Please observe the prescribed local quiet times.

 **Electric Safety**

Keep the mains cable away from the aerator!

Check the power cable regularly for damage and signs of wear and tear.

The Electric Lawn Scarifier must only be operated with undamaged electric cable. If the electric cable or the extension cable is damaged disconnect the mains plug immediately.

The socket of an extension cable should be water-proof or the connection sockets for extension cables must be

made of rubber or be encased in rubber.

Extension cables must meet the requirements of DIN VDE 0620. Only use permitted extension cables. Ask your electrician.

Attachment fittings must be used for extension cables.

For portable units, which are used outdoors, we recommend to use a residual-current device having a residual-current rating  $\leq 30$  mA.

In Switzerland use of a residual-current device is obligatory.

## 9. Faults

The following table contains the most common faults and the appropriate remedies.

Problem	Possible cause	Remedy
<b>Abnormal noise. Clattering in the unit.</b>	Foreign bodies in the aerator banging against the housing.	<b>Switch off the scarifier. Remove the mains plug from the socket and wait until the aerator has stopped rotating.</b> Remove foreign bodies.
<b>Whistling sound.</b>	Foreign bodies blocking the aerator cylinder.	Remove foreign bodies.
	Cog-belt slipping.	Contact GARDENA Service.
<b>Motor will not start.</b>	Faulty cable.	Check cable.
	The conductor cross-section of the extension cable is possibly too low.	Contact your electrician.
<b>Motor cuts out.</b>	Blocked by foreign bodies. Blockage protection has been activated.	Switch off the motor. Remove the plug. Remove the foreign bodies. After 1 minute switch on the scarifier.
	The aerating height you have chosen is too low. Blockage protection has been activated.	Mow the lawn before aerating. See description in section "Correct Aerating".
	The grass is too tall.	
<b>Aerating results are not satisfactory.</b>	The springs of the aerator are worn.	See description in "Adjusting the Aerator".
	Cog-belt faulty.	Allow GARDENA Service to change the cog-belt.
	Lawn has grown too tall.	Mow the lawn before using the scarifier.

If you have any problem with your Electric Lawn Scarifier, please contact our Customer Service, or return the defective unit together with a short description of the problem and, if covered under guarantee, with a copy of the receipt, directly to one of the

GARDENA Service Centres listed on the back of this leaflet.

**We expressly point out that, according to the product liability law, we are not liable for any damage caused by our units if, in case of repair or**

**exchange, other than original GARDENA parts are used and repair is not carried out by a GARDENA service centre or an authorised specialist. The same also applies to spare parts and accessories.**

## EU Certificate of Conformity

The undersigned

GARDENA Kress + Kastner GmbH · Hans-Lorenser-Str. 40 · D-89079 Ulm

hereby certifies that, when leaving our factory, the unit indicated below is in accordance with the harmonised EU guidelines, EU standards of safety and product specific standards.

This certificate becomes void if the unit is modified without our approval.

### Description of the unit:

Electric Lawn Scarifier

Type: ES 450/30

Art. No.: 4060

### EU directives:

Machinery Directive 98/37/EC

Electromagnetic Compatibility 89/336/EC

Low Voltage Directive 73/23/EC

Directive 93/68/EC

Directive 2000/14/EC

### Harmonised European standards:

EN 292-1

EN 292-2

EN 60335-1

prEN 60335-2-77

### Noise level:

measured: 91 dB (A)

guaranteed: 95 dB (A)

### Year of CE marking:

1998

Ulm, 03.05.2002

Thomas Heint  
Technical Dept. Manager

## D

### Garantie

GARDENA gewährt für dieses Produkt 2 Jahre Garantie (ab Kaufdatum). Diese Garantieleistung bezieht sich auf alle wesentlichen Mängel des Gerätes, die nachweislich auf Material- oder Fabrikationsfehler zurückzuführen sind. Sie erfolgt durch die Ersatzlieferung eines einwandfreien Gerätes oder durch die kostenlose Reparatur des eingesandten Gerätes nach unserer Wahl, wenn folgende Voraussetzungen gewährleistet sind:

- Das Gerät wurde sachgemäß und laut den Empfehlungen in der Gebrauchsanweisung behandelt.
- Es wurde weder vom Käufer noch von einem Dritten versucht, das Gerät zu reparieren.

Das Verschleißteil Lüfterwalze ist von der Garantie ausgeschlossen.

Diese Hersteller-Garantie berührt die gegenüber dem Händler/Verkäufer bestehenden Gewährleistungsansprüche nicht.

Im Servicefall schicken Sie bitte das defekte Gerät zusammen mit einer Kopie des Kaufbelegs und einer Fehlerbeschreibung frankiert an die auf der Rückseite angegebene Serviceadresse.

## GB

### Guarantee

GARDENA guarantees this product for 2 years (from date of purchase). This guarantee covers all serious defects of the unit that can be proved to be material or manufacturing faults. Under warranty we will either replace the unit or repair it free of charge if the following conditions apply:

- The unit must have been handled properly and in keeping with the requirements of the operating instructions.

- Neither the purchaser or a non-authorized third party have attempted to repair the unit.

The aerator cylinder is a wearing part and is not covered by the guarantee.

This manufacturer's guarantee does not affect the user's existing warranty claims against the dealer/seller.

In case of claim, please return the faulty unit together with a copy of the receipt and a description of the fault, with postage paid to one of the GARDENA Service Centres listed on the back of these operating instructions.

## F

### Garantie

GARDENA accorde pour cet appareil une garantie contractuelle de 2 ans à compter du jour de l'achat. Elle est assurée par le remplacement gratuit des pièces défectueuses ou de l'appareil. Le choix en étant laissé à la libre initiative de GARDENA. En tout état de cause s'applique la garantie légale couvrant toutes les conséquences des défauts ou vices cachés (article 1641 et suivants du Code Civil).

Pour que ces garanties soient valables, les conditions suivantes doivent être remplies :

- L'appareil a été manipulé de manière adéquate, suivant les instructions du mode d'emploi.
- Il n'y a eu aucun essai de réparation, ni par le client, ni par un tiers.

Le rouleau d'aération est une pièce d'usure et est par conséquent exclu de la garantie.

Une intervention sous garantie ne prolonge pas la durée initiale de la garantie contractuelle.

**Toutes les revendications dépassant le contenu de ce texte ne sont pas couvertes par la**

**garantie, quel que soit le motif de droit.**

**Pendant la période de garantie, le Service Après-Vente et les Centres SAV agréés effectueront, à titre payant, les réparations nécessaires par suite de manipulations erronées.**

En cas de réclamation, veuillez envoyer le produit en port payé avec le bon d'achat et une description du problème, à l'adresse du Service Après-Vente figurant au verso.

## NL

### Garantie

GARDENA geeft op dit product 2 jaar garantie (vanaf de aankoopdatum). Deze garantie heeft betrekking op alle wezenlijke defecten aan het toestel, die aanwijsbaar op materiaal- of fabricagefouten berusten. Garantie vindt plaats door de levering van een vervangend apparaat of door de gratis reparatie van het ingestuurde apparaat, naar onze keuze, indien aan de volgende voorwaarden is voldaan:

- Het apparaat werd vakkundig en volgens de adviezen in de gebruiksaanwijzing behandeld.
- Noch de koper, noch een derde persoon heeft getracht het apparaat te repareren.

De aan slijtage onderhevige beluchtingswals valt niet onder de garantie.

Deze garantie van de producent heeft geen betrekking op de ten aanzien van de handelaar/verkoper bestaande aansprakelijkheid.

In geval van reclamatie het defecte apparaat samen met de kassabon en een beschrijving van de storing gefrankeerd op naar het op de achterzijde aangegeven serviceadres opsturen.

**Deutschland**

GARDENA Kress + Kastner GmbH  
GARDENA Service  
Hans-Lorenser-Straße 40  
D-89079 Ulm  
Produktfragen: (07 31) 490-123  
Reparaturen: (07 31) 490-290

**Argentina**

Argensem S.A.  
Venezuela 1075  
(1618) El Talar - Buenos Aires

**Australia**

NYLEX Corporation Ltd.  
25-29 Nepean Highway  
P.O. Box 68  
Mentone, Victoria 3194

**Austria**

GARDENA Österreich Ges. m.b.H.  
Stettnerweg 11-15  
2100 Korneuburg

**Belgium**

MARKT (Belgium) NV/SA  
Sterrebeekstraat 163  
1930 Zaventem

**Brazil**

M. Cassab  
Av. das Nações Unidas, 20.882  
Santo Amaro, CEP 04795-000  
São Paulo - S.P.

**Bulgaria / България**

ДЕНЕКС ООД  
Бул. "Г.М.Димитров" 16 ет.4  
София 1797

**Canada**

GARDENA Canada Ltd.  
100, Summerlea Road  
Brampton, Ontario  
Canada L6T 4X3

**Chile**

Antonio Martinic Y CIA. LTDA.  
Gilberto Fuenzalida 185 Loc.  
Las Condes - Santiago de Chile

**Costa Rica**

Compania Exim  
Euroiberoamericana S.A.  
350 Sur del Automercado  
Los Yoses  
San Pedro

**Cyprus**

FARMOKIPIKI LTD  
P.O. Box 7098  
74, Digeni Akrita Ave.  
1641 Nicosia

**Czech Republic**

GARDENA spol. s.r.o.  
Řípská 20a, č.p. 1153  
62700 Brno

**Denmark**

GARDENA Danmark A/S  
Naverland 8  
2600 Glostrup

**Finland**

Habitec Oy  
Martinkyläntie 52  
01720 Vantaa

**France**

GARDENA France  
Service Après-Vente  
BP 50080  
95948 ROISSY CDG Cedex

**Great Britain**

GARDENA UK Ltd.  
27-28 Brenkley Way  
Bleazard Business Park  
Seaton Burn  
Newcastle upon Tyne  
NE13 6DS

**Greece**

Agrokip G. Psomadopoulos & Co.  
20, Lykourgou str.  
Kallithea - Athens

**Hungary**

GARDENA Magyarország Kft.  
Késmárk utca 22  
1158 Budapest

**Iceland**

Heimilistaeki hf  
Saetun 8  
P.O. Box 5340  
125 Reykjavik

**Republic of Ireland**

Michael McLoughlin & Sons  
Hardware Limited  
Long Mile Road  
Dublin 12

**Italy**

GARDENA Italia S.r.l.  
Via Donizetti 22  
20020 Lainate (Mi)

**Japan**

KAKUDAI Mfg. Co. Ltd.  
1-4-4, Itachibori Nishi-ku  
Osaka 550

**Luxembourg**

Magasins Jules Neuberg  
Grand Rue 30  
Case Postale No. 12  
Luxembourg 2010

**Netherlands**

GARDENA Nederland B.V.  
Postbus 50176  
1305 AD ALMERE

**Neth. Antilles**

Jonka Enterprises N.V.  
Sta. Rosa Weg 196  
P.O. Box 8200  
Curaçao

**New Zealand**

NYLEX New Zealand Limited  
Private Bag 94001  
South Auckland Mail Centre  
10 Offenhauser Drive  
East Tamaki, Manukau

**Norway**

GARDENA Norge A/S  
Postboks 214  
2013 Skjetten

**Poland**

GARDENA Polska Sp. z o.o.  
Szymanów 9 d  
05-532 Baniocha

**Portugal**

MARKT (Portugal), Lda.  
Recta da Granja do Marquês  
Edif. GARDENA  
Algueirão  
2725-596 Mem Martins

**Russia / Россия**

АО АМИДА ТТЦ  
ул. Мосфильмовская 66  
117330 Москва

**Singapore**

Variware  
Holland Road Shopping Centre  
227-A 1st Fl., Unit 29  
Holland Avenue  
Singapore 1027

**Slovenia / Croatia**

Silk d.o.o. Trgovina  
Brodišče 15  
1236 Trzin

**South Africa**

GARDENA South Africa (Pty.) Ltd.  
P.O. Box 11534  
Vorna Valley 1686

**Spain**

ANMI Andreu y Miriam S.A.  
Calle Pere IV, 111  
08018 Barcelona

**Sweden**

GARDENA Svenska AB  
Box 9003  
20039 Malmö

**Switzerland**

GARDENA Kress + Kastner AG  
Bitziberg 1  
8184 Bachenbülach

**Ukraine / Украина**

АОЗТ АЛЬЦЕСТ  
ул. Гайдара 50  
г. Киев 01033

**Turkey**

Dost Diş Ticaret Mümesillik A.Ş.  
Yeşilbağlar Mah. Başkent  
Cad. No. 26  
Pendik - Istanbul

**USA**

GARDENA  
3085 Shawnee Drive  
Winchester, VA 22604

4060-20.960.08/0021  
GARDENA Kress + Kastner GmbH  
Postfach 27 47, D-89070 Ulm  
<http://www.gardena.com>



## Free Manuals Download Website

<http://myh66.com>

<http://usermanuals.us>

<http://www.somanuals.com>

<http://www.4manuals.cc>

<http://www.manual-lib.com>

<http://www.404manual.com>

<http://www.luxmanual.com>

<http://aubethermostatmanual.com>

Golf course search by state

<http://golfingnear.com>

Email search by domain

<http://emailbydomain.com>

Auto manuals search

<http://auto.somanuals.com>

TV manuals search

<http://tv.somanuals.com>