

INSTALLATION INSTRUCTIONS

Over The Range Microwave Oven

BEFORE YOU BEGIN

Read these instructions completely and carefully.

- **IMPORTANT** Save these instructions for local inspector's use.
- **IMPORTANT** Observe all governing codes and coordinates.
- **NOTE TO INSTALLER** – Be sure to leave these instructions with the Consumer.
- **NOTE TO CONSUMER** – Keep these instructions for future reference.
- **SKILL LEVEL** – Installation of this appliance requires basic mechanical and electrical skills.
- Proper installation is the responsibility of the installer.
- Product failure due to improper installation is not covered under the Warranty.
- Please read all instructions thoroughly before installing the Over the Range Microwave Oven. Two people are recommended to install this product.
- If a new electrical outlet is required, its installation should be completed by a qualified electrician before the Microwave Oven is installed. See **3 ELECTRICAL GROUNDING INSTRUCTIONS** on page 2.

1 MOUNTING SPACE

This Microwave Oven/Hood requires a mounting space on a wall as shown in Figure 1. It is designed to be used with standard 12" wall cabinets.

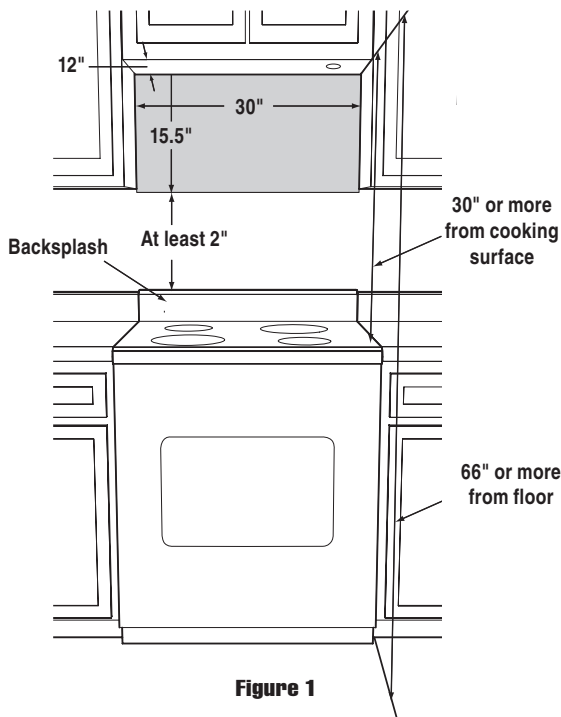


Figure 1

2 WALL CONSTRUCTION

This Microwave Oven/Hood should be mounted against and supported by a flat vertical wall. The wall must be flat for proper installation. If the wall is not flat, use spacers to fill in the gaps. Wall construction should be a minimum of 2" x 4" wood studding and 3/8" or more thick dry wall or plaster/lath. The mounting surfaces must be capable of supporting weight of 110 pounds—the oven and contents—AND the weight of all items which would normally be stored in the top cabinet above the unit.

The unit should be attached to a minimum of one 2" x 4" wall stud or two 2" x 3" wall studs.

To find the location of the studs, one of the following methods may be used:

- Use a stud finder, a magnetic device which locates the nails in the stud.
- Use a hammer to tap lightly across the mounting surface to find a solid sound. This will indicate stud location.

The center of the stud can be located by probing the wall with a small nail to find the edges of the stud and then placing a mark halfway between the edges. The center of any adjacent studs will normally be 16" or 24" to either side of this mark.

NEED HELP?

For customers in the United States, call: 1-800-944-9044

For customers in Canada, call: 1-800-213-9397 (English)
1-800-668-4606 ext.8199 (French)

READ CAREFULLY. KEEP THESE INSTRUCTIONS.

INSTALLATION INSTRUCTIONS

3 ELECTRICAL GROUNDING INSTRUCTIONS

This appliance must be grounded. This oven is equipped with a cord having a grounding wire with a grounding plug. It must be plugged into a wall receptacle that is properly installed and grounded in accordance with the National Electrical Code and local codes and ordinances. In the event of an electrical short circuit, grounding reduces risk of electric shock by providing an escape wire for the electric current.

WARNING - Improper use of the grounding plug can result in a risk of electric shock.

ELECTRICAL REQUIREMENTS

The oven is equipped with a 3-prong grounding plug. **DO NOT UNDER ANY CIRCUMSTANCES CUT OR REMOVE THE GROUNDING PIN FROM THE PLUG.**

DO NOT USE AN EXTENSION CORD.

The Power Supply Cord and plug must be connected to a separate 120 Volt AC, 60 Hz, 15 Amp, or more branch circuit, single grounded receptacle. The receptacle should be located inside the cabinet directly above the Microwave Oven mounting location as shown in Figure 2.

NOTE:

1. If you have any questions about the grounding or electrical instructions, consult a qualified electrician or serviceperson.
2. Neither Electrolux nor the dealer can accept any liability for damage to the oven or personal injury resulting from failure to observe the correct electrical connection procedures.

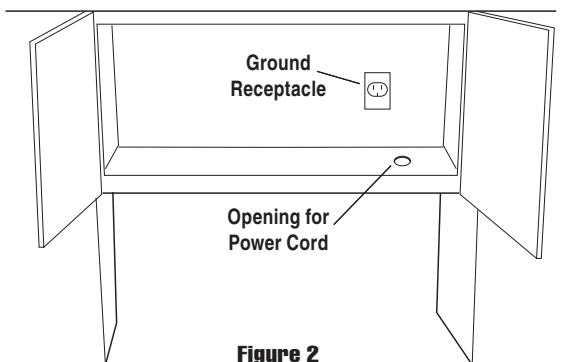


Figure 2

4 HOOD EXHAUST DUCT

When the hood is vented to the outside, a hood exhaust duct is required. All ductwork must be metal; absolutely do not use plastic duct. Check that all connections are made securely. Please read the following carefully:

EXHAUST CONNECTION: The hood exhaust has been designed to connect to a standard 3 1/4" x 10" rectangular duct. If round duct is required, a rectangular-to-round adapter must be used.

REAR EXHAUST: If a rear or horizontal exhaust is to be used, care should be taken to align the exhaust with the space between the studs, or wall should be prepared at the time it is constructed by leaving enough space between wall studs to accommodate exhaust.

MAXIMUM DUCT LENGTH: For satisfactory air movement, the total duct length of 3 1/4" x 10" rectangular or 6" diameter round duct should not exceed 140 feet.

Elbows, adapters, wall caps, roof caps, etc. present additional resistance to air flow and are equivalent to a section of straight duct which is longer than their actual physical size. When calculating the total length, add the equivalent lengths of all transitions and adapters plus the length of all straight duct sections. Figure 3 shows the approximate feet of equivalent length of some typical ductwork parts. Use the values in parentheses for calculating air flow resistance equivalent, which should total less than 140 feet.

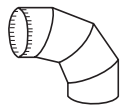



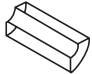
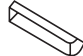

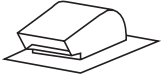
 90° Elbow (10 ft.)	 45° Elbow (5 ft.)	 Adaptor (5 ft.)	 10" Wide Elbow (10 ft.)
 90° Elbow (25 ft.)	 45° Elbow (5 ft.)	 Wall cap (40 ft.)	 Roof cap (24 ft.)

Figure 3

INSTALLATION INSTRUCTIONS

5 TOOLS RECOMMENDED FOR INSTALLATION

- Phillips Screwdriver
- Electric Drill
- 1/2", 5/8" and 3/32" Drill Bits
- 1 1/2" Wood Bit or Metal Hole Cutter (if metal cabinet is used)
- Saw to cut exhaust opening (if needed)
- Protective Drop Cloth for product and range - you may also use carton for protection
- Scissors
- Pencil
- Measure
- Tape

6 INSTALLATION HARDWARE

The INSTALLATION HARDWARE (items ①-⑦) packed with the oven should contain the following:

Item	Name	Quantity
①	Wood Screw 5 x 35 mm	6
②	Toggle Bolt 3/16"	4
③	Top Cabinet Screw 5 x 85 mm	2
④	Flat Washer 30 mm diameter	2
⑤	Grommet	1
⑥	Tapping Screw 4 x 8 mm	4
⑦	Exhaust Damper Assembly	1
⑧	Grease Filter	2

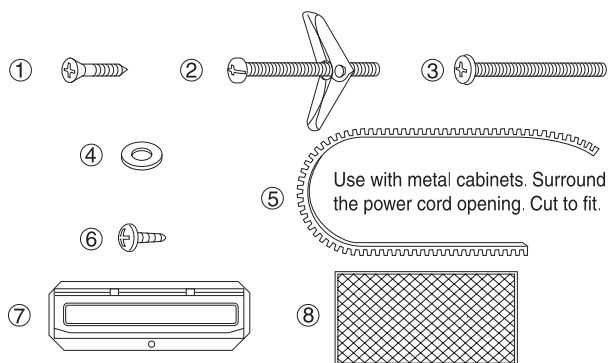


Figure 4

Parts shown not to common scale.

7 PREPARATION OF THE OVEN

1. Open the bottom of the carton, bend the carton flaps back and tilt the oven over to rest on plastic foam pad. Lift carton off oven and remove all packing materials, Installation Instructions, Wall Template, Top Template, Charcoal Filter, Turntable and Turntable Support; however, DO NOT REMOVE THE WAVEGUIDE COVER, which is located on the ceiling in the oven cavity. SAVE THE CARTON AS IT MAY MAKE INSTALLATION EASIER.
2. CHECK THE OVEN.

Check the oven for any damage, such as misaligned or bent door, damaged door seals and sealing surfaces, broken or loose door hinges and latches and dents inside the cavity or on the door. If there is any damage, do not operate the oven and contact your dealer or Electrolux AUTHORIZED SERVICER.

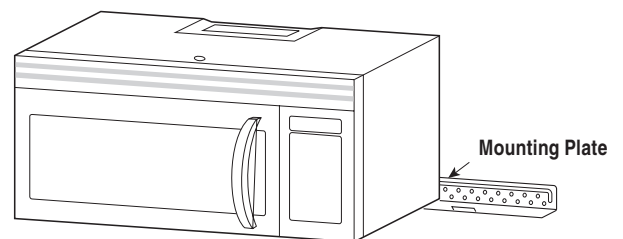


Figure 5

INSTALLATION INSTRUCTIONS

8 VENTILATION SYSTEM (PREPARING OVEN FOR INSTALLATION)

This microwave oven/hood is designed for adaptation to three types of hood ventilation systems. Select the type required for your installation.

RECIRCULATING — non-vented, ductless.

Follow installation procedure (A). Recirculating requires the use of the Charcoal Filter, which has already been installed in the oven.

HORIZONTAL EXHAUST — outside ventilation.

Follow installation procedure (B).

VERTICAL EXHAUST — outside ventilation.

Follow installation procedure (C).

(A) RECIRCULATING: NON-VENTED, DUCTLESS OPERATION

1. The unit is shipped assembled for recirculating.
2. The Exhaust Damper Assembly is not required for recirculating exhaust.
3. Charcoal Filter, included with the unit, is required for recirculating exhaust. Attach the Charcoal Filter to the upper side of the oven by sliding into the tabs. See Figure 6. The Charcoal Filter should be replaced every 6 to 12 months, depending on use.

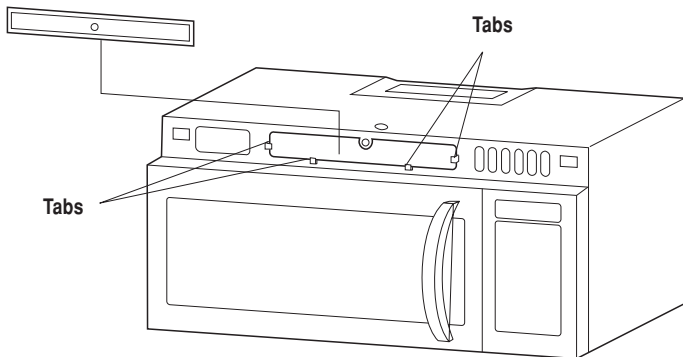


Figure 6

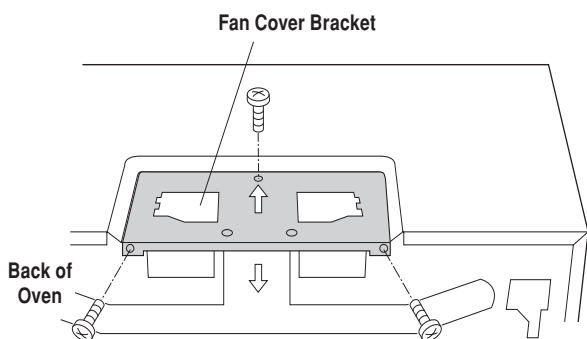


Figure 7

(B) HORIZONTAL EXHAUST: OUTSIDE VENTILATION

1. Remove and save 2 screws from back edge and 1 screw from the top center of Fan Cover Bracket. Remove Fan Cover Bracket by sliding it in the opposite direction of the arrow on the Fan Cover Bracket, as shown in Figure 7.
2. Withdraw Hood Fan Unit carefully and slip wires out of Wire Box. See Figure 8.

CAUTION: Do not pull or stretch hood fan wiring.

3. Rotate the Hood Fan Unit and turn end-over-end so that the fan blade openings are facing the back of the oven. Replace Hood Fan Unit into the oven. Be careful not to pinch the lead wire between the inner bracket and the Hood Fan Unit. See Figure 9.
4. Put the lead wire into Wire Box. See Figure 10.
5. Replace the Fan Cover Bracket by sliding it into the slits in the same direction as the arrow on the Fan Cover Bracket. Make sure the fan blades are visible through the rear openings in the oven before proceeding. Attach Fan Cover Bracket to unit with 3 screws, which were removed in Step 1 above. See Figure 11. The Hood Fan Unit is now rotated for horizontal exhaust operation.
6. Attach the Exhaust Damper Assembly to the back of the unit. See Figure 10. Use two Tapping Screws 4 x 8 from the INSTALLATION HARDWARE and tighten into place.

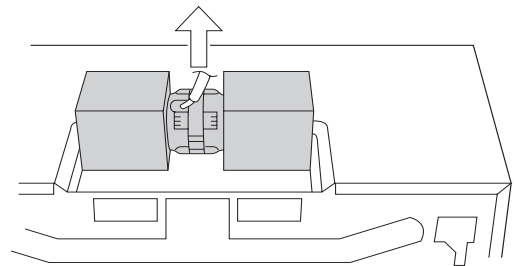


Figure 8

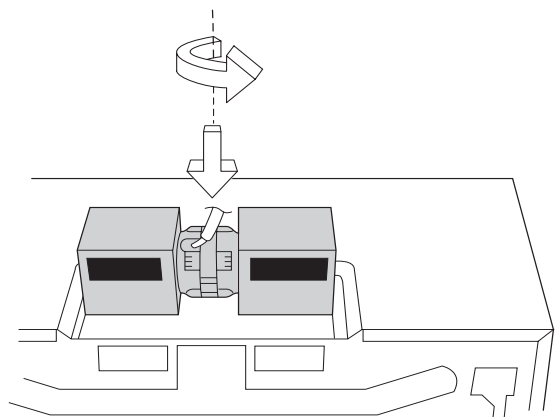


Figure 9

INSTALLATION INSTRUCTIONS

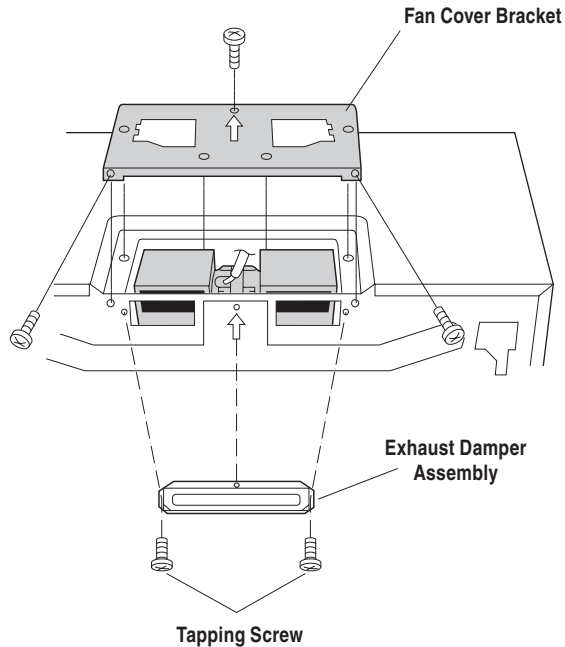


Figure 10

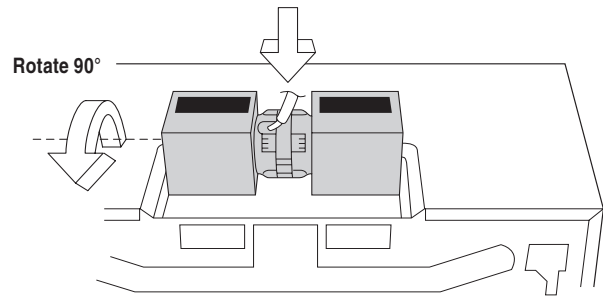


Figure 11

8 VENTILATION SYSTEM (PREPARING OVEN FOR INSTALLATION)

(C) VERTICAL EXHAUST: OUTSIDE VENTILATION

1. Remove and save 2 screws from back edge and 1 screw from the top center of the Fan Cover Bracket. Remove Fan Cover Bracket by sliding it in the opposite direction of the arrow on the Fan Cover Bracket as shown in Figure 7.
2. Withdraw Hood Fan Unit carefully and slip wires out of Wire Box. See Figure 8.
CAUTION: Do not pull or stretch hood fan wiring.
3. Turn the Hood Fan Unit end-over-end. Rotate the Hood Fan Unit 90° so that the fan blade openings are facing upward. Replace Hood Fan Unit into the oven. Be careful not to pinch the lead wire between the inner bracket and the Hood Fan Unit. See Figure 11.
4. Put the lead wire into Wire Box. See Figure 11.
5. Replace the Fan Cover Bracket by sliding it into the slits in the same direction as the arrow on the Fan Cover Bracket. Make sure the fan blades are visible through the top openings in the oven before proceeding. Attach the Fan Cover Bracket to unit with 3 screws, which were removed in Step 1 above. See Figure 10. The Hood Fan Unit is now rotated for vertical exhaust operation.
6. Attach the Exhaust Damper Assembly to the fan cover bracket on the top of the outcase cabinet after mounting the oven. To attach the Exhaust Damper Assembly, refer to MOUNTING OVEN TO THE WALL, page 6 Figure 17.

9 OVEN INSTALLATION

THIS OVEN CANNOT BE PROPERLY INSTALLED WITHOUT REFERRING TO THE MOUNTING INSTRUCTIONS FOUND ON BOTH TEMPLATES.

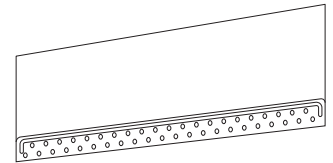
THE NEXT STEP IS TO READ AND FOLLOW MOUNTING INFORMATION ON BOTH TOP CABINET AND WALL TEMPLATES.

NOTE: THIS OVEN SHOULD BE ATTACHED TO AT LEAST ONE WALL STUD.

MOUNTING PLATE

1. Separate 4 Toggle Bolts, packed in the INSTALLATION HARDWARE, from the Toggle Nuts.

2. **IMPORTANT** Use the mounting template provided to Use wood screws to attach mounting plate to the stud or studs. Use Toggle Bolts to attach mounting plate through the holes UNLESS THOSE HOLES ARE LOCATED ON THE STUD. Insert one Toggle Bolt where appropriate (these correspond to holes of the Wall Template) and put the Toggle Nuts onto the Toggle Bolts. **Figure 13. Refer to instructions in Wall Template.**



3. Position the Mounting Plate with the Toggle Bolts attached at the wall location and insert Toggle Nuts and Bolts through the holes in the wall with the Toggle Nuts closed. Figure 15. Use Wood Screws to attach the Mounting Plate to studs.

NOTE: Before insertion, be sure you leave a space more than the thickness of the wall between the Mounting Plate and the end of each of the Toggle Nuts (in the closed position). If you do not leave enough space, the Toggle Nut will not be able to open on the other side of the wall. Also, once a Toggle Nut opens, it cannot be withdrawn from the hole; therefore make sure all of the Toggles are in the correct position before insertion.

4. Align the Mounting Plate carefully and hold in position while tightening Toggle Bolts. Pull Toggle Bolt toward you and turn clockwise to tighten. Figure 14.

INSTALLATION INSTRUCTIONS

9 OVEN INSTALLATION cont.

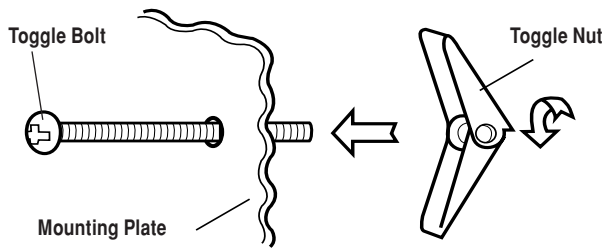


Figure 12

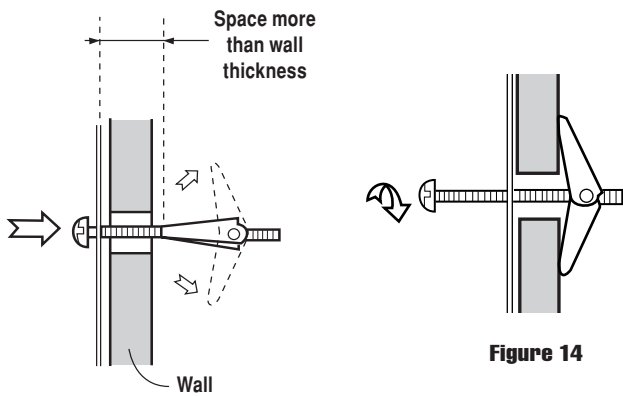


Figure 13

Figure 14

MOUNTING OVEN TO THE WALL

Two people are recommended to attach the Microwave Oven/Hood to the Mounting Plate.

1. Thread the power supply cord through the hole made in the bottom of the top cabinet.
2. Install the oven by tilting it forward and sliding it onto the tabs of the Mounting Plate. Rotate the oven up so it rests against the wall. See Figure 15.
3. Use the two Top Cabinet Screws and two Flat Washers, supplied in the INSTALLATION HARDWARE, to attach the unit to the top cabinet. See Figure 16.
4. Secure the bottom of the oven to the Mounting Plate by using two Tapping Screws 4 x 8 mm from the INSTALLATION HARDWARE. See Figure 16.

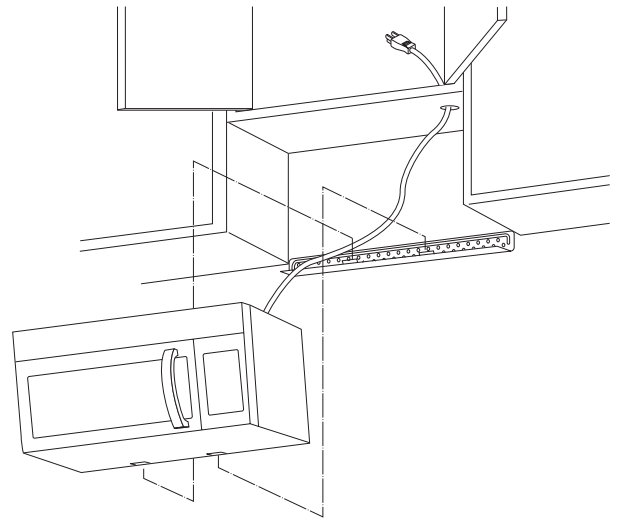
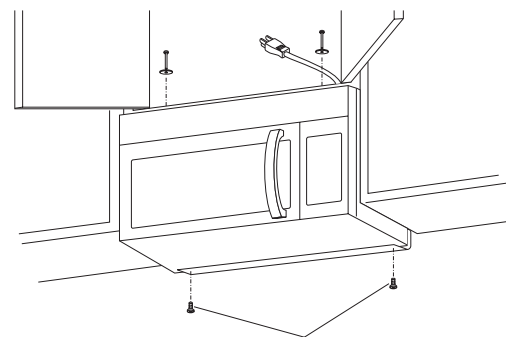


Figure 15



Tapping Screw

Figure 16

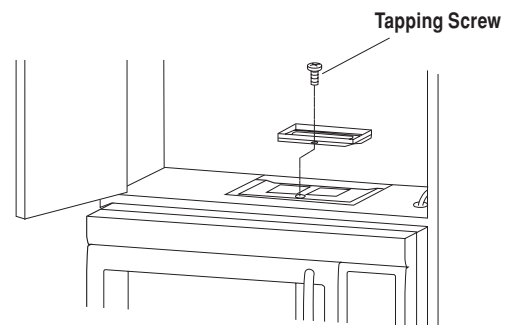


Figure 17

INSTALLATION INSTRUCTIONS

CHECKLIST FOR INSTALLATION

1. Make sure the unit has been installed according to all of the Installation Instructions and the Wall and Top Cabinet Templates.
2. Plug in the power cord.
3. Keep the Operation Manual.

Free Manuals Download Website

<http://myh66.com>

<http://usermanuals.us>

<http://www.somanuals.com>

<http://www.4manuals.cc>

<http://www.manual-lib.com>

<http://www.404manual.com>

<http://www.luxmanual.com>

<http://aubethermostatmanual.com>

Golf course search by state

<http://golfingnear.com>

Email search by domain

<http://emailbydomain.com>

Auto manuals search

<http://auto.somanuals.com>

TV manuals search

<http://tv.somanuals.com>