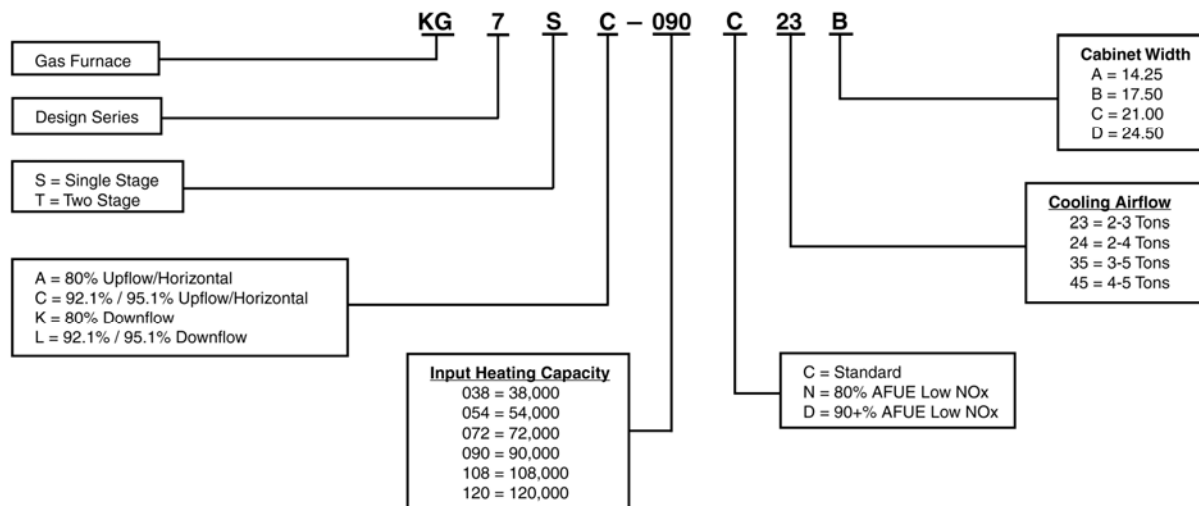


Furnaces

Philco KG7 Series Gas Furnace Features & Benefits

- **Category IV Venting System:** May be vertically or horizontally vented using either a non-direct vent (1 pipe) or direct vent (2 pipe) system
- **100% fired and tested:** All units and each component are tested on the manufacturing line
- **Low boy height:** Easy to apply in low ceiling applications, work well with taller high SEER coils
- **Best packaging in the industry:** Unique corner post design assure product will arrive to the homeowner dent free
- **Tubular primary heat exchanger:** Heavy gauge aluminized steel heat exchanger and stainless steel secondary heat exchanger assures long life
- **30 second blower delay at start-up:** Assures a warm duct temperature at furnace start-up. Adjustable blower settings (60, 90, 120 and 180 seconds)
- **30 second post purge:** Increases life of heat exchanger
- **Hot surface igniter:** Innovative application of an appliance igniter. Utilizes proven Smartlite® technology
- **Color coded wire harness:** Designed to fit the components, all with quick connect fittings for ease of service
- **High static blowers:** All models equipped with high static blowers
- **90 second fixed cooling cycle blower off delay (TDR):** Increases cooling performance when matched with a coil
- **LP convertible:** Simple burner orifice and regulator spring change for easy of convertibility
- **Diagnostic lights for easy troubleshooting without counting flashes:** Dedicated light for flame signal strength and 2 lights in combination to indicate all other fault codes
- **Integrated control board:** Incorporates connections for electronic air clear and humidifier
- **Two piece door design:** Enhances furnace appearance and uses captured screw to prevent losing door screws
- **Sealed vestibule:** Reduces burner and inducer sound levels
- **Extended flush jacket:** Jacket provides an "appliance appearance"
- **CSA certified design**
- **115V, 60Hz. Gas connections are 1/2" NPT**

MODEL IDENTIFICATION CODE



WARRANTY ON PHILCO FURNACES

Warranty Details: Lifetime Heat Exchanger and 10 years on all parts when product is registered, 1 year Heat Exchanger and 1 year parts when not registered



1 Year Comfort Quality Pledge: Replacement of the entire unit if Heat Exchanger fails within the first year of operation to the original owner

Warranty Registration: Register your system within 60 days of installation

PHILCO 
Heating and Cooling Products

Davies
Davies Supply Group Ltd.

Calgary (800) 661-1346
(403) 244-2161

Lethbridge (877) 595-7707
(403) 381-7707

Saskatoon (877) 355-3377
(306) 933-2433

Furnaces

92+ AFUE Single Stage Gas Furnace (High Efficiency)



- High efficiency blower kit maximize efficiencies
- Multi-speed direct drive blower designed to give a wide range of cooling capacities. Switches on PCB, provides ultra easy motor speed selection.

Input Btuh	HP -Speed-Type-FLA	R410 Coil	Model Number	Part Number
Upflow / Horizontal				
38,000	1/3 - 4 - PSC - 4.80	C6BAX24(C,U)A C6BAX30(C,U)A	KG7SC038D23A	904639K
54,000	1/2 - 4 - PSC - 8.20	C6BAX24(C,U)B C6BAX30(C,U)B C6BAX35(C,U)B C6BAX36(C,U)B	KG7SC054D24B	904640K
72,000	1/2 - 4 - PSC - 8.20	C6BAX24(C,U)B C6BAX30(C,U)B C6BAX35(C,U)B C6BAX36(C,U)B	KG7SC072D24B	904641K
72,000	1/2 - 4 - PSC - 7.50	C6BAX36(C,U)C C6BAX37(C,U)C C6BAX42(C,U)C	KG7SC072D35C	904642K
90,000	1.0 - 4 - PSC - 13.75	C6BAX36(C,U)C C6BAX37(C,U)C C6BAX42(C,U)C	KG7SC090D35C	904643K
108,000	1.0 - 4 - PSC - 13.75	C6BAX42(C,U)D C6BAX48(C,U)D C6BAX60(C,U)D	KG7SC108D45D	904644K
120,000	1.0 - 4 - PSC - 13.75	C6BAX42(C,U)D C6BAX48(C,U)D C6BAX60(C,U)D	KG7SC120D45D	904645K
Downflow				
54,000	1/2 - 4 - PSC - 8.20	C6BAX24(C,U)B C6BAX30(C,U)B C6BAX35(C,U)B C6BAX36(C,U)B	KG7SL054D24B	904651K
72,000	1/2 - 4 - PSC - 8.20	C6BAX24(C,U)B C6BAX30(C,U)B C6BAX35(C,U)B C6BAX36(C,U)B	KG7SL072D24B	904652K
90,000	1.0 - 4 - PSC - 7.50	C6BAX36(C,U)C C6BAX37(C,U)C C6BAX42(C,U)C	KG7SL090D35C	904653K
120,000	1.0 - 4 - PSC - 13.75	C6BAX42(C,U)D C6BAX48(C,U)D C6BAX60(C,U)D	KG7SL120D45D	904654K

R410 Coil:
(C=Cased, U=Uncased)



Davies
Davies Supply Group Ltd.

Calgary (800) 661-1346
(403) 244-2161

Lethbridge (877) 595-7707
(403) 381-7707

Saskatoon (877) 355-3377
(306) 933-2433

PHILCO 
Heating and Cooling Products

Furnaces

95+ AFUE Two Stage Gas Furnace (High Efficiency)



- Energy efficient brushless DC (ECM) motor
- Control board has connections for twinning

Input Btuh	HP -Speed-Type-FLA	R410 Coil	Model Number	Part Number
Fixed Speed Upflow / Horizontal				
60,000	1/2 - FS - BLDC - 6.2	C6BAX24(C,U)B C6BAX30(C,U)B C6BAX35(C,U)B C6BAX36(C,U)B	KG7TC060D24B	904727K
80,000	3/4 - FS - BLDC - 8.7	C6BAX36(C,U)C C6BAX37(C,U)C C6BAX42(C,U)C	KG7TC080D35C	904728K
100,000	3/4 - FS - BLDC - 8.7	C6BAX36(C,U)C C6BAX37(C,U)C C6BAX42(C,U)C	KG7TC100D35C	904729K
120,000	1.0 - FS - BLDC - 11.7	C6BAX42(C,U)D C6BAX48(C,U)D C6BAX60(C,U)D	KG7TC120D45D	904730K
Fixed Speed Downflow				
60,000	1/2 - FS - BLDC - 6.2	C6BAX24(C,U)B C6BAX30(C,U)B C6BAX35(C,U)B C6BAX36(C,U)B	KG7TL060D24B	904731K
80,000	3/4 - FS - BLDC - 8.7	C6BAX36(C,U)C C6BAX37(C,U)C C6BAX42(C,U)C	KG7TL080D35C	904732K
100,000	3/4 - FS - BLDC - 8.7	C6BAX36(C,U)C C6BAX37(C,U)C C6BAX42(C,U)C	KG7TL100D35C	904733K
120,000	1.0 - FS - BLDC - 11.7	C6BAX42(C,U)D C6BAX48(C,U)D C6BAX60(C,U)D	KG7TL120D45D	904734K

R410 Coil:
(C=Cased, U=Uncased)



Davies
Davies Supply Group Ltd.

Calgary (800) 661-1346
(403) 244-2161

Lethbridge (877) 595-7707
(403) 381-7707

Saskatoon (877) 355-3377
(306) 933-2433

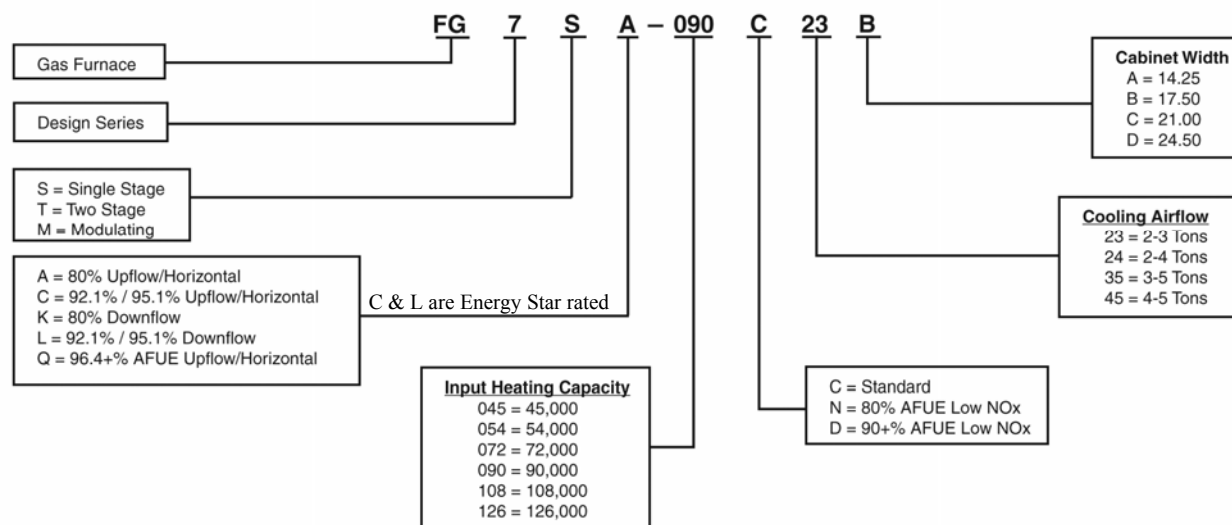
PHILCO 
Heating and Cooling Products

Furnaces

Frigidaire FG7 Series Gas Furnace Features & Benefits

- **Category IV Venting System:** May be vertically or horizontally vented using either a non-direct vent (1 pipe) or direct vent (2 pipe) system
- **100% fired and tested:** All units and each component are tested on the manufacturing line
- **Low boy height:** Easy to apply in low ceiling applications, work well with taller high SEER coils
- **Best packaging in the industry:** Unique corner post design assure product will arrive to the homeowner dent free
- **Tubular primary heat exchanger:** Heavy gauge aluminized steel heat exchanger and stainless steel secondary heat exchanger assure a long life
- **30 second blower delay at start-up:** Assures a warm duct temperature at furnace start-up. Adjustable blower settings (60, 90, 120 and 180 seconds)
- **30 second post purge:** Increases life of heat exchanger
- **Hot surface igniter:** Innovative application of a silicon nitride igniter. Utilizes proven Smartlite® technology
- **Color coded wire harness:** Designed to fit the components, all with quick connect fittings for ease of service
- **High static blowers:** All models equipped with high static blowers
- **90 second fixed cooling cycle blower off delay (TDR):** Increases cooling performance when matched with a coil
- **LP convertible:** Simple burner orifice and regulator spring change for easy of convertibility
- **Diagnostic lights for easy troubleshooting without counting flashes:** Dedicated light for flame signal strength and 2 lights in combination to indicate all other fault codes
- **Integrated control board:** Incorporates connections for electronic air clear and humidifier
- **Two piece door design:** Enhances furnace appearance and uses captured screw to prevent loosening door screws
- **Blower compartment:** Sealed door to reduce air leakage and insulated for ultra quiet operation
- **Sealed vestibule:** Reduces burner and inducer sound levels
- **Rounded corner jacket:** Provides an "appliance appearance"
- **CSA certified design**
- **115V, 60Hz. Gas connections are 1/2" NPT**

MODEL IDENTIFICATION CODE



WARRANTY ON FRIGIDAIRE FURNACES



Warranty Details: Lifetime Heat Exchanger and 10 years on all parts when product is registered, 20 years Heat Exchanger and 5 year parts when not registered

10 Year Comfort Quality Pledge: Replacement of the entire unit if Heat Exchanger fails within the first 10 years when registered, 1 year when not registered



Warranty Registration: Register your system within 60 days of installation

Extended Warranty Protection: Ask your Davies Rep for specific details on labor protection plans

FRIGIDAIRE

Davies
Davies Supply Group Ltd.

Calgary (800) 661-1346
(403) 244-2161

Lethbridge (877) 595-7707
(403) 381-7707

Saskatoon (877) 355-3377
(306) 933-2433

Furnaces

92+ AFUE Single Stage Gas Furnace (High Efficiency)



- Multi-speed direct drive blower designed to give a wide range of cooling capacities
- Switches on PCB, provide ultra easy motor speed selection



Input Btuh	HP -Speed-Type-FLA	R410 Coil	Model Number	Part Number
Upflow / Horizontal				
38,000	1/3 - 4 - PSC - 4.80	C6BAX24(C,U)A C6BAX30(C,U)A	FG7SC038D23A	904639F
54,000	1/2 - 4 - PSC - 8.20	C6BAX24(C,U)B C6BAX30(C,U)B C6BAX35(C,U)B C6BAX36(C,U)B	FG7SC054D24B	904640F
72,000	1/2 - 4 - PSC - 8.20	C6BAX24(C,U)B C6BAX30(C,U)B C6BAX35(C,U)B C6BAX36(C,U)B	FG7SC072D24B	904641F
72,000	1/2 - 4 - PSC - 7.50	C6BAX36(C,U)C C6BAX37(C,U)C C6BAX42(C,U)C	FG7SC072D35C	904642F
90,000	1.0 - 4 - PSC - 13.75	C6BAX36(C,U)C C6BAX37(C,U)C C6BAX42(C,U)C	FG7SC090D35C	904643F
108,000	1.0 - 4 - PSC - 13.75	C6BAX42(C,U)D C6BAX48(C,U)D C6BAX60(C,U)D	FG7SC108D45D	904644F
120,000	1.0 - 4 - PSC - 13.75	C6BAX42(C,U)D C6BAX48(C,U)D C6BAX60(C,U)D	FG7SC120D45D	904645F
Downflow				
54,000	1/2 - 4 - PSC - 8.20	C6BAX24(C,U)B C6BAX30(C,U)B C6BAX35(C,U)B C6BAX36(C,U)B	FG7SL054D24B	904651F
72,000	1/2 - 4 - PSC - 8.20	C6BAX24(C,U)B C6BAX30(C,U)B C6BAX35(C,U)B C6BAX36(C,U)B	FG7SL072D24B	904652F
90,000	1.0 - 4 - PSC - 7.50	C6BAX36(C,U)C C6BAX37(C,U)C C6BAX42(C,U)C	FG7SL090D35C	904653F
120,000	1.0 - 4 - PSC - 13.75	C6BAX42(C,U)D C6BAX48(C,U)D C6BAX60(C,U)D	FG7SL120D45D	904654F

R410 Coil:
(C=Cased, U=Uncased)



Davies
Davies Supply Group Ltd.

Calgary (800) 661-1346
(403) 244-2161

Lethbridge (877) 595-7707
(403) 381-7707

Saskatoon (877) 355-3377
(306) 933-2433

FRIGIDAIRE

Furnaces

95+ AFUE Two Stage Gas Furnace (High Efficiency)



- iSEER energy efficient brushless DC (ECM) motor gives up to 1 SEER point efficiency gain in cooling
- Two stage inducer optimizes efficiency on first stage heat and reduces sound levels

Input Btuh	HP -Speed-Type-FLA	R410 Coil	Model Number	Part Number
Fixed Speed Upflow / Horizontal				
60,000	1/2 - FS - BLDC - 6.2	C6BAX24(C,U)B C6BAX30(C,U)B C6BAX35(C,U)B C6BAX36(C,U)B	FG7TC060D24B	904727F
80,000	3/4 - FS - BLDC - 8.7	C6BAX36(C,U)C C6BAX37(C,U)C C6BAX42(C,U)C	FG7TC080D35C	904728F
100,000	3/4 - FS - BLDC - 8.7	C6BAX36(C,U)C C6BAX37(C,U)C C6BAX42(C,U)C	FG7TC100D35C	904729F
120,000	1.0 - FS - BLDC - 11.7	C6BAX42(C,U)D C6BAX48(C,U)D C6BAX60(C,U)D	FG7TC120D45D	904730F
Variable Speed Upflow / Horizontal				
60,000	1/2 - VS - 6.2	C6BAX24(C,U)B C6BAX30(C,U)B C6BAX35(C,U)B C6BAX36(C,U)B	FG7TC060DVB	904735F
80,000	3/4 - VS - 8.7	C6BAX36(C,U)C C6BAX37(C,U)C C6BAX42(C,U)C	FG7TC080DVC	904736F
100,000	3/4 - VS - 8.7	C6BAX36(C,U)C C6BAX37(C,U)C C6BAX42(C,U)C	FG7TC0100DVC	904737F
120,000	1.0 - VS - 11.7	C6BAX42(C,U)D C6BAX48(C,U)D C6BAX60(C,U)D	FG7TC120DVD	904738F

R410 Coil:
(C=Cased, U=Uncased)

iSEER™
Smartlite®

ecoLogic™



Don't Forget
PVC & CPVC Fittings

FRIGIDAIRE

Davies
Davies Supply Group Ltd.

Calgary (800) 661-1346
(403) 244-2161

Lethbridge (877) 595-7707
(403) 381-7707

Saskatoon (877) 355-3377
(306) 933-2433

Furnaces

97+ AFUE iQ Drive® Modulating Gas Furnace (Ultra High Efficiency)



- iQ Drive® Modulating Heating Operation Includes:
 - Modulating gas valve from 100% to 50% input in 5% increments
 - Time proportioning modulation down to 15%
 - Variable speed inducer and blower
- iQ Drive® thermostat provides modulation down to 15% and is required for furnace operation
- iSEER energy efficient brushless DC (ECM) motor gives up to 1 SEER point efficiency gain in cooling

Input Btuh	HP -Speed-FLA	R410 Coil	Model Number	Part Number
Fully Modulating, Variable Speed Upflow / Horizontal				
60,000	1/2 - Variable - 6.2	C6BAX24(C,U)B C6BAX30(C,U)B C6BAX35(C,U)B C6BAX36(C,U)B	FG7MQ060DVB	904743F
80,000	3/4 - Variable - 8.7	C6BAX36(C,U)C C6BAX37(C,U)C C6BAX42(C,U)C	FG7MQ080DVC	904744F
100,000	3/4 - Variable - 8.7	C6BAX36(C,U)C C6BAX37(C,U)C C6BAX42(C,U)C	FG7MQ100DVC	904745F
120,000	1.0 - Variable - 11.7	C6BAX42(C,U)D C6BAX48(C,U)D C6BAX60(C,U)D	FG7MQ120DVD	904746F

R410 Coil:
(C=Cased, U=Uncased)

**iSEER™
Smartlite®**

ecoLogic™



iQ Drive® Controller & Accessories



- Customizable programming options for every day, weekdays, weekends or individual days
- On-board diagnostics alert when service or maintenance is needed
- Smart recovery gradually adjusts indoor temperatures for greater comfort
- Senses humidity and has a dehumidification mode that removes moisture quickly
- Communicates to various components within the iQ Drive® System and serves as the main controller for an iQ Zone® System
- Auto changeover automatically switches the thermostat from heating to cooling
- No batteries required, settings are stored internally in the event of a power failure
- Two color backlight for easy viewing
- Energy saving features are customizable (temperature setbacks, heat pump/electric heat or furnace changeover)

IMPORTANT:
The iQ Drive® Furnace must be controlled by the iQ Drive® Controller. This Controller requires 18-22 gauge stranded wire with a grounded shield when connecting to furnace.

Description	Part Number
iQ Drive® Controller - Complete System Monitor & Controller	920621F
Accessories	
Individually Shielded Wire, 30m (100') 2 Pair, 4 Conductor, 22 AWG Stranded (7x30) TC Conductors, 300V RMS 60°C	B8723
Optional Outdoor Sensor	920938



PVC & CPVC Fittings

FRIGIDAIRE

Davies
Davies Supply Group Ltd.

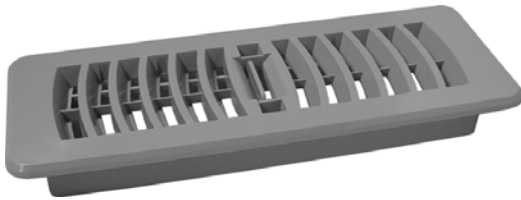
Calgary (800) 661-1346
(403) 244-2161

Lethbridge (877) 595-7707
(403) 381-7707

Saskatoon (877) 355-3377
(306) 933-2433

Furnaces

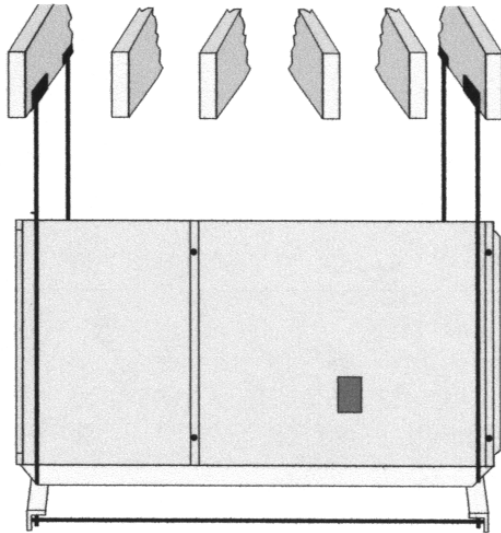
Floor Registers - Plastic



- Sleek modern look with rounded corners and blades
- Durable plastic construction, will not rust
- Smooth, quiet damper adjustment for desired level of air flow
- Easy to install, maintenance free

Description	Brand	Part Number
3"x10" Register - White	Deflecto	RF31003B
3"x10" Register - Taupe	Deflecto	RF31028B
3"x10" Register - Brown	Deflecto	RF31036B
4"x10" Register - White	Deflecto	RF41003B
4"x10" Register - Taupe	Deflecto	RF41028B
4"x10" Register - Brown	Deflecto	RF41036B

Horizontal Conversion Kit for Frigidaire "G6" Gas Furnaces



- For converting a 90+ upflow residential gas furnace to a horizontal left or horizontal right position

Kit Includes	Brand	Part Number
Installation Instructions (#707796) 1/2" barbed fitting (#663841) 2" to 1/2" PVC reducer bushing (#663840) 2" PVC tee (#663115) Tube, drain hard "J" - 5" x 2" (#663763) Tube, soft - 10" (#663764) Tube, soft - 50" (#663765) Tube, high temp, grey - 17.5" (#263965) Vinyl cap - 5/8" (#663723) Vinyl cap - 1/2" (#663684) Hose clamps (2) - 7/8" dia. (#668914) Reducer - 3" to 2" (#663692)	Frigidaire	903568

Horizontal installation suspended in attic or crawl space

Filter Rack

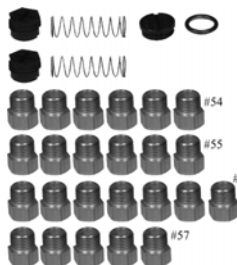


- Comes with door

Filter Size	Part Number
16" x 25" x 1"	FR16251
20" x 25" x 1"	FR20251

Furnace Accessories

LP Gas Conversion Kits



ATTENTION
THIS VALVE HAS
BEEN CONVERTED
FOR USE WITH
LP GAS

ATTENTION
THIS VALVE HAS
BEEN CONVERTED
FOR USE WITH
LP GAS

CONVERSION INFORMATION LABEL
ÉTIQUETTE D'INFORMATIONS SUR LA CONVERSION

This conversion kit can be used with G6 (series PSL/N6) series, and P61 series appliances.
Ce kit de conversion peut être utilisé sur les appareils de séries G6, PSL/N6 et P61.

NOTICE: This appliance has been converted after for high altitude operation or to produce LP gas. See the conversion information label inside of the control area for more details about this conversion.

AVERTISSEMENT: Cet appareil a été converti pour fonctionner à haute altitude ou au propane (gaz de pétrole). Voir l'étiquette d'informations sur la conversion située dans la zone de contrôle pour plus de détails sur cette conversion.

Type of Fuel (Type de carburant) _____
 Orifice Size (Taille de l'orifice) _____
 Manifold Pressure (Press. dans le collecteur) _____
 Input Rating (Orifice) _____
 Be certain to use original orifice plate of the appliance, for the maximum and minimum safe gas pressures.
 So certain à la bonne agencement d'origine de l'appareil pour les pressions maximales et minimales d'entrée de gaz.
 This appliance was converted on (Cet appareil a été converti le) _____
 by (par) _____
 Company (Entreprise) _____
 Address (Adresse) _____
 Phone No. (No. de tél.) _____
 I, _____, which accepts the responsibility that the conversion has been properly made. (Je m'engage la responsabilité de veiller que cette conversion a été correctement effectuée.) _____

For G6 & L1 Series Furnaces

- Designed for Canadian installations. To convert a natural gas furnace to LP/Propane gas for altitudes between 0 to 4,500 feet above sea level, the main gas orifice must be replaced. For higher altitudes (between 2,000 & 4,500 feet above seal level) the input must be de-rated by 10%. This can be done by simply reducing the manifold pressure without changing the gas orifices.
- Use on standard & slow opening models only**
- Not for use with step regulator valves**

Application	Brand	Part Number
For use with G6 & L1 series gas furnaces using a Honeywell Gas Valve	Frigidaire	904091A

For G7 Series Furnaces

- Designed for Canadian installations to convert a natural gas furnace to LP/Propane gas. Used for altitudes between 0 to 4,500 feet above sea level
- For altitudes between 0 and 1,999 feet, only the orifice needs to be changed. For altitudes between 2,000 and 4,500 feet, both the orifice and the regulator pressure need to be changed.

Application	Brand	Part Number
For use with G7 series gas furnaces using a Honeywell Gas Valve	Frigidaire	904915

For G7MQ Modulating Furnaces

Application	Brand	Part Number
For use with G7MQ series gas furnaces	Frigidaire	904950

This Page Left
Intentionally
Blank

Flue Gas Venting System - System 636™ PVC

- **Type BH Class IIA Vent:** For use with gas fired appliances producing flue gases of 65°C or less
- Complete system fully certified to ULC S636
- White pipe with unique blue certification markings made to SCH 40 dimensions



Description	Case	Part Number
2" Flue Gas Venting System		
2" Concentric Vent Termination Kit (no vent screen)	3	196005
2" Wall Termination Kit (no vent screen)	1	081216
2" x 10' Pipe (Straight End)	10	194000
2" Coupling (HubxHub)	70	196352
2" 45° Elbow (HubxHub)	110	196242
2" 90° Street Elbow (SPxHub)	60	196232
2" 90° Long Elbow (HubxHub)	55	196122
2" 90° Extra Long Elbow (HubxHub)	40	196022
2" Sanitary Tee (HubxHubxHub)	35	196082
3" Flue Gas Venting System		
3" Concentric Vent Termination Kit (no vent screen)	3	196006
3" Wall Termination Kit (no vent screen)	1	081219
3" x 10' Pipe (Straight End)	10	194001
3" Coupling (HubxHub)	60	196353
3" 45° Elbow (HubxHub)	25	196243
3" 90° Street Elbow (SPxHub)	15	196233
3" 90° Long Elbow (HubxHub)	23	196123
3" 90° Extra Long Elbow (HubxHub)	15	196023
3" Sanitary Tee (HubxHubxHub)	17	196083
Adapters & Other Components		
3" x 2" In increaser Coupling (HubxHub)	45	196364
3" x 2" Reducer Tee (HubxHubxHub)	10	196822
2" x 1 1/2" Reducer Bushing (SPxHub) <i>Used with #196278</i>	80	196282
1 1/2" x 1/2" Reducer Busing (SPxHose Barb)	80	196278
2" Testing Plug & Bushing Kit (SPxPlug)	10	196143
Cement		
PVC Cement, Low VOC (1 pint/473ml)	12	196040
PVC Cement, Low VOC (1 quart/946ml)	12	196041
Transition Cement - To ABS Only (1 pint/473ml)	12	196044
Primer		
Primer should be used when installing System636 products at temperatures below 0°C		
PVC/CPVC Purple Primer, Low VOC (1 pint/473ml)	12	196042
PVC/CPVC Clear Primer, Low VOC (1 pint/473ml)	12	196017
PVC/CPVC Purple Primer, Low VOC (1qt/946ml)	12	196043

Concentric Vent Kits

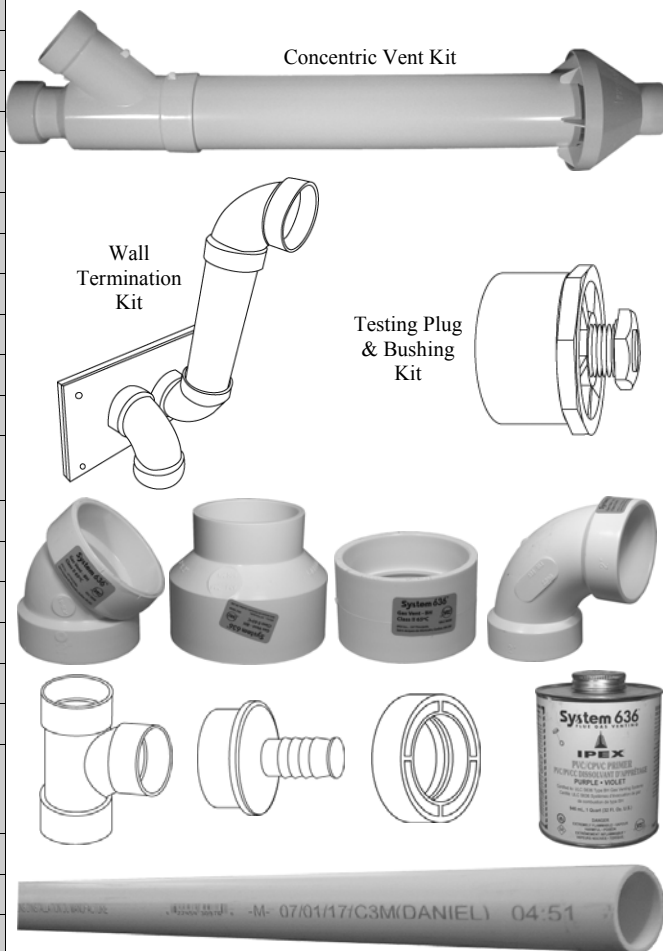
- These "pipe-in-pipe" kits allow for both exhaust and intake pipes to penetrate the roof or side wall through only one hole and are certified with mechanically fastened rain caps
- Screw/bolt assembly (included) for mechanically fastening the rain cap can be easily removed for cleaning or maintenance

Wall Termination Kits

- For a traditional vent style, IPEX's PVC Wall Termination Vent Kits require only two small wall penetrations for intake and exhaust.
- Kits include a white finishing plate with a self sealing foam back that can be screwed to the exterior wall.

Testing Plug & Bushing Kit

- Allows an inline access point for flue monitoring using fully certified System 636 components. The kit consists of a 2" x 1/2" reducer bushing (Spig x FPT) and a removable 1/2" MPT plug.
- May be installed in new installations or added to existing lines when monitoring is required
- Bushing must be inserted in a 2" fitting socket
- May be used on vent lines in any diameter
- Certified for use only on IPEX System 636 flue gas vent lines.



NOTES:

1. Do Not interchange pipe, fittings or chemicals from different BH vent manufactures. Doing so will void System636™ product certification and warranty.
2. Contractors must check local codes for proper venting

Furnaces

Condensate Water Neutralizer Kit For High Efficient Gas Furnaces



- Inline cartridge that will raise or neutralize the pH level of the condensate water
- Limestone neutralizer material should be changed yearly

Description	Includes	Part Number
2" Inline cartridge	1/2" ID vinyl tubing, hose clamps & mounting ties	902377

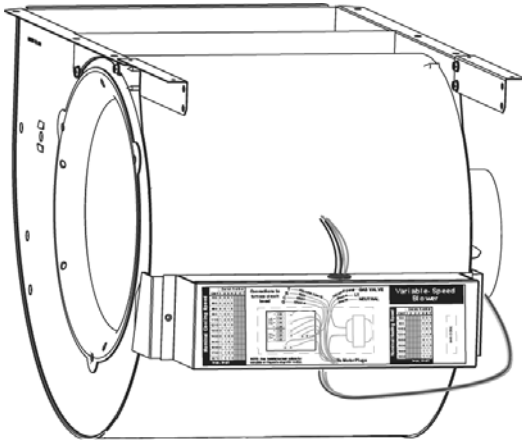
J Hooks (Furnace Venting Accessory)



Description	Part Number
2" x 7 1/2" DWV Swiveling J Hook (Plastic)	515-J2000
3" x 7 1/2" DWV Swiveling J Hook (Plastic)	515-J3000

Furnaces

Variable Speed Blower Kits for Frigidaire "G6 & L1" Gas Furnaces



- **904231** kit fits all G6/L1 series gas furnaces with an "A" width cabinet. May be configured for air conditioning/heat pump airflows from 1 1/2 to 3 tons nominal capacity.
- **904075** kit fits all G6 (RA,RC,RK&RL) series gas furnaces with "B" & "C" width cabinets. May be field configured for air conditioning/heat pump airflows from 2 to 5 tons nominal capacity.
- Designed to maximize system efficiencies, improve air quality and reduce sound levels
- Air conditioning and heat pump efficiencies up to 16 SEER and 8.5 HSPF
- ECM (electronically commutated motor) variable speed DC motor allows for 12 selected cooling airflows and 8 heating airflows to match any applications
- Extra low speed for "fan only" operation
- Extra quiet and smooth blower on and off cycles
- Warranty: Carries the balance of original equipment warranty

WARNING

Not for use with Model Numbers:

*G6RK096-12B & *GF1RK096-12B

Description	Part Number
Fits "A" Width Cabinets for G6 & L1 series	904231
Fits "B" & "C" Width Cabinets for G6: RA,RC,RK,RL series (not suitable for "B" cabinet 1200 CFM applications)	904075

Specifications		
	904231	904075
Nominal Blower Size	10" x 6"	11" x 10"
Maximum Motor HP	1/2	3/4
Motor Type	Programmable Variable Speed	Programmable Variable Speed
Cooling CFM Range*	720 to 1240	720 to 1870
Heating Airflow Range*	550 to 1215	720 to 1800

* Airflow is held constant regardless of external static pressure within the HP and RPM limits of the motor

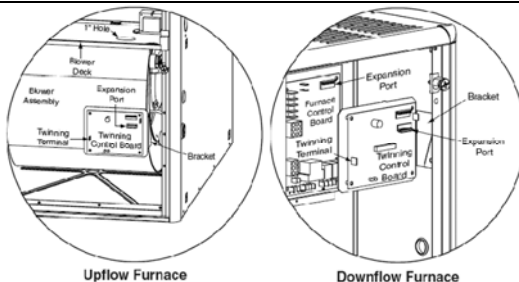
Variable Speed Motor Tester - TECMate PRO™



- Designed to assist field service technicians by troubleshooting GE ECM 2.3 motors independently of the HVAC system

Description	Part Number
TECMate Pro™ Variable Speed Motor Tester	904232

Twinning Kit For G7 Single Stage Gas Furnaces



- Provides the capability to combine the operation of two single stage gas furnaces with PSC motors (not for use with 2 stage, modulating or variable speed blower models)
- Twinning function not backwards compatible with furnaces manufactured prior to June 2009

Description	Part Number
G7 Twinning Kit For Single Stage Gas Furnaces Manufactured After June 2009	920919

This Page Left
Intentionally
Blank

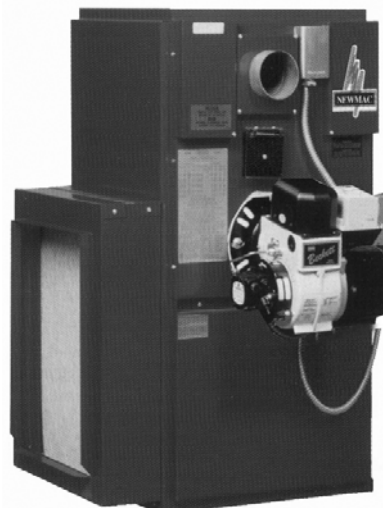
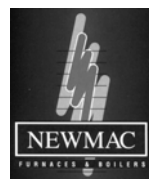
Furnaces

Oil-Fired Forced Air Furnaces With Burner

- 80+ AFUE
- Warranty: Limited lifetime on 14 gauge heat exchanger; 1 year parts
- **LFR Models:** Chamber-less unit is designed for compact installations requiring front or rear flue. The unit is approved for chimney or balanced flue venting and is ideal for electric conversions. The large filter rack can be placed on either side, bottom or rear
- **LFR-VSM Models:** With the Newmac Ultratech™ Motor Control. This system incorporates the furnace, control board, motor & blower. The 24VAC powered board uses a standard external HVAC transformer, is air conditioning ready and has LED indication and diagnostic output.
- **NLF Model:** For traditional replacement or new home construction requiring front flue
- **NL2 Model:** For traditional replacement or new home construction requiring rear flue
- **NH3 Model:** Vestibuled cabinet is approved for closet clearances
- **All Pre & Post Purge Burners can be used with a Sealed Venting System (SVS). This system allows direct venting without chimneys. Required for installation: Sealed Venting Unit, Oil Flex Vent & Air Duct.**

Description	Flue	Btuh Output	AC Rating (tons)	Direct Drive Blower Motor		Burner	Brand	Part Number (Model Number)
				HP	Speed			
Highboy	Front / Rear	81,000	3	1/3	4	F3 Riello	Newmac	8010050-3* (LFR)
Highboy	Front / Rear	81,000	3	1/3	4	Beckett AFG	Newmac	8010050-3B* (LFR80)
Highboy	Front / Rear	81,000	3	1/3	4	Beckett AFG Pre & Post Purge	Newmac	8010050-3BP* (LFR)
Highboy	Front / Rear	81,000	3	1/3	Variable Speed	Beckett AFG	Newmac	8010081-3B* (LFR-VSM)
Highboy	Front / Rear	81,000	3	1/3	Variable Speed	Beckett AFG Pre & Post Purge	Newmac	8010081-3BP* (LFR-VSM)
Lowboy	Front	118,000	3.5	1/2	4	Beckett AFG	Newmac	8010033DD-3B (NLF118)
Lowboy	Rear	77,000	3.5	1/2	4	Beckett AFG	Newmac	8010027DD-3B* (NL2)
Highboy	Top	101,000	3	1/2	4	Beckett AFG	Newmac	5010035 (NH3-101)

* Energy Star Rated



8010050-3B (LFR)



5010035 (NH3)

Davies also stocks a selection of Beckett Burners. Call Davies Pros On Controls for proper application.



Replacement Parts For 8010050-3B (LFR80) Furnace With Beckett AFG Burner

Description	Specifications	Part Number
Hago Nozzles	Capacity (USgal/hr): 0.50 Spray Angle: 45° - B	21566108
	Capacity (USgal/hr): 0.55 Spray Angle: 45° - B	21566109
Blower Unit (less Motor)	Bore: 1/2" Fan: 10" dia. Rotation: CW	2040116T

Furnaces

Combination Oil/Gas & Wood Furnace With Beckett AFG Burner



- Separate combustion chamber for oil/gas
- Extra large brick lined firebox
- Pre-heated combustion air is introduced by a thermostatically controlled draft system
- Disposable air filters
- Warranty: 10 year limited on the heat exchanger
- **CL85/95 Model:** Automatic switching from wood to oil
- **CL86/96C Model:** Automatic switching from wood to oil, separate thermostats & large fire door. Burns wood without grates for better control and efficiency.
- **CL86/96G Model (Wood/Oil/Coal):** Where wood or coal is available, this model gives the ultimate conservation choice. Large firebox and fire door with shaker grates for coal.

CFM	Btuh Output	Blower Motor	Brand	Part Number (Model Number)
900/1000	82,000/94,000	1/3 HP	Newmac	8010012-2B (CL85/95)
1200/1200	86,000/ 96,000	1/3 HP	Newmac	8010015-2B (CL86/96C)
1200/1200	86,000/ 96,000	1/3 HP	Newmac	8010014-2B (CL86/96G)

Wood Only Furnaces



8010024G



8010001

- **WA0 Model:** Is a wood add-on furnace designed for operation in conjunction with an existing residential oil furnace system with a firing rate of .75 gph to 1.10 gph. 10 year limited warranty.
- **WB100 Model:** Can be used alone or in conjunction with an existing residential system. 10 year limited warranty on the heat exchanger.

CFM	Btuh Output	Blower Motor	Brand	Part Number (Model Number)
1200	100,000	-	Newmac	8010024G (WA0)
1200	100,000	1/2 HP	Newmac	8010001 (WB100)



Free Manuals Download Website

<http://myh66.com>

<http://usermanuals.us>

<http://www.somanuals.com>

<http://www.4manuals.cc>

<http://www.manual-lib.com>

<http://www.404manual.com>

<http://www.luxmanual.com>

<http://aubethermostatmanual.com>

Golf course search by state

<http://golfingnear.com>

Email search by domain

<http://emailbydomain.com>

Auto manuals search

<http://auto.somanuals.com>

TV manuals search

<http://tv.somanuals.com>