



# 864TRV Arched Face

## Part Numbers

- Classic Black 99300497
- Nickel 95800615
- Artisan 99300498
- Artisan Antique Copper 95800619
- Artisan Antique Nickel 95800620
- French Country 99300499
- French Country Black 95800616

## Compatibility:

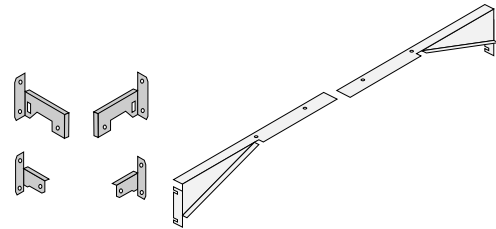
- 864TRV Fireplace
- 864 HH Fireplace

## Packing List:

- Face
- (2) Face Mounting Brackets (w screws)
- Glass Frame Cover
- (4) 8-32 Nuts
- (2) 10-24 1-1/2" Screws

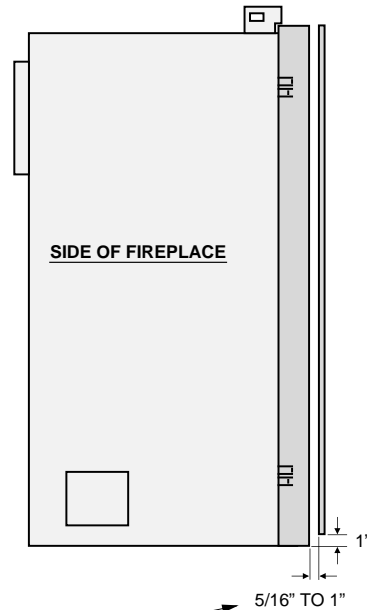
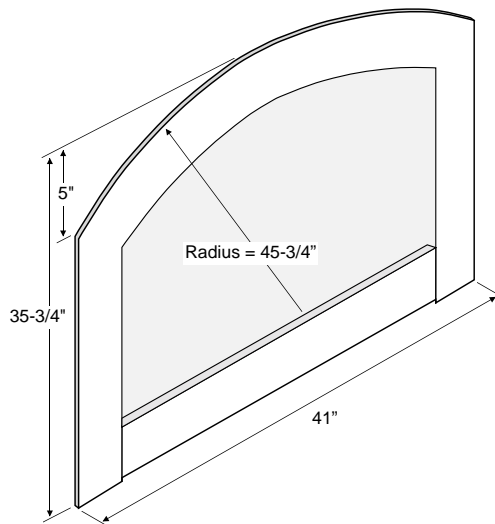


**The FPX Face Upgrade Kit (98500686) must be installed prior to installing the facing material and face.**



## Installation

### Details

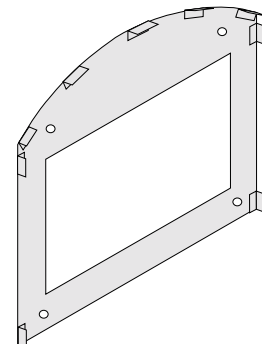


**NOTE:**

This face has an adjustable bracket that allows for different facing depths to be tucked under the face.

**NOTE FOR THICK FACING (BRICK, ROCK, ETC.):**

The Fireplace Xtrodinair 864 Set-Up Face is recommended for masonry installation (98500688). The set-up face helps locate and support the masonry during installation.

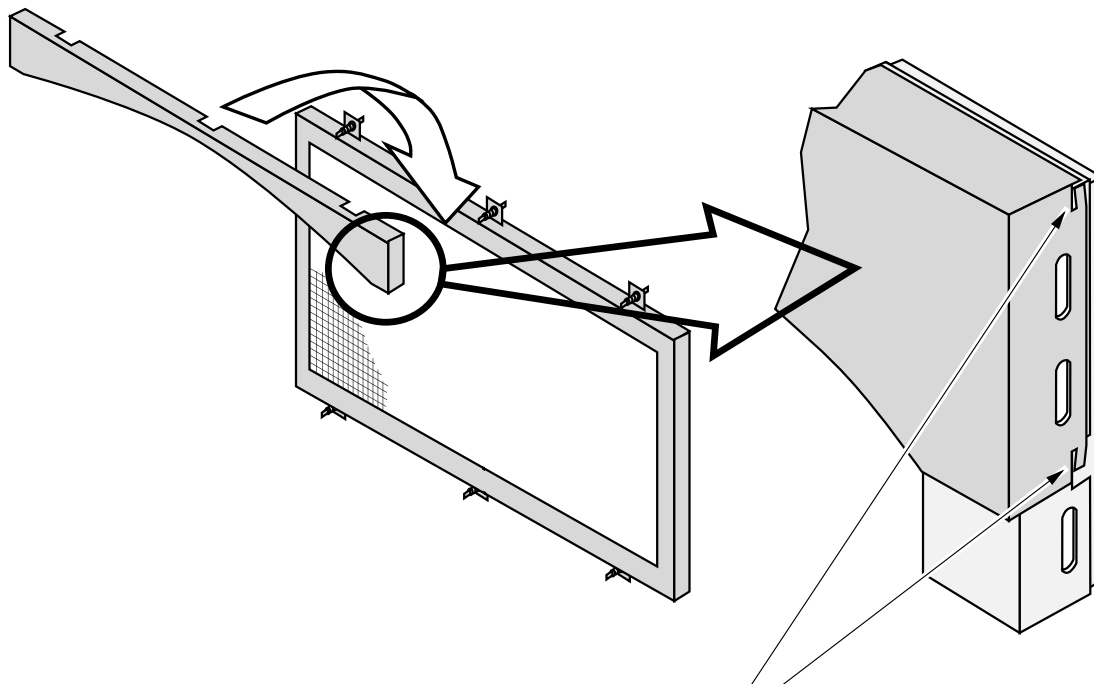


# 864TRV Arched Face

## **Installation**

- 1 Remove the glass frame (see the owner's manual for details). Install the glass frame cover following the directions below. Replace the glass frame.

Place the cover over the top of the door frame.



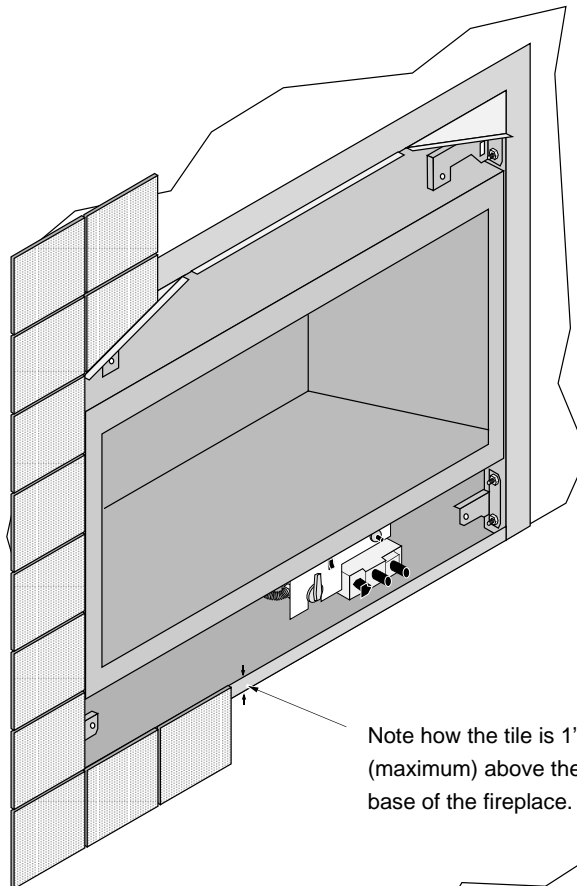
Push these pins inwards  
to lock the cover in place.



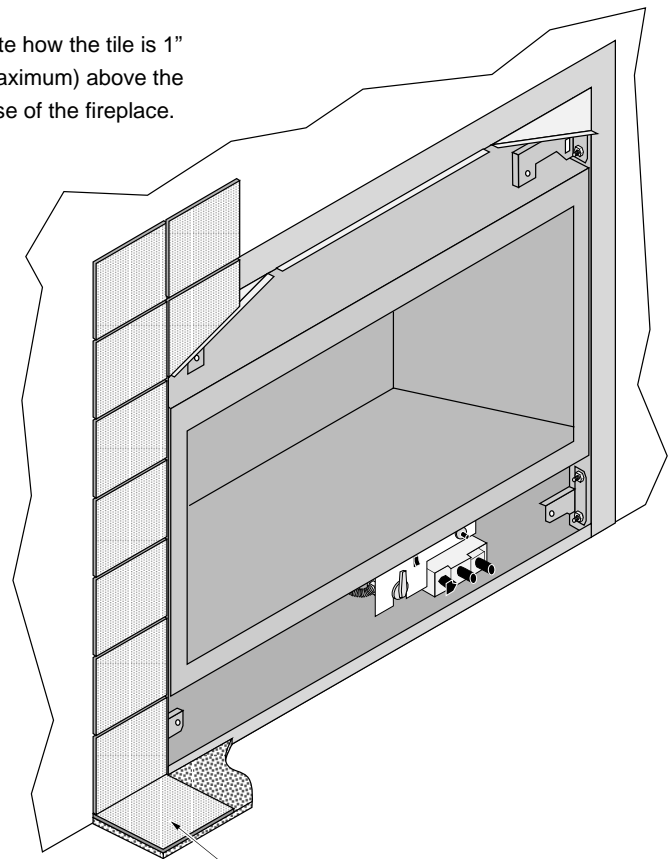
## 864TRV Arched Face

- 2 The facing and hearth (if applicable) must be installed prior to attaching the face. See the installation manual for complete details.

### Raised Fireplaces



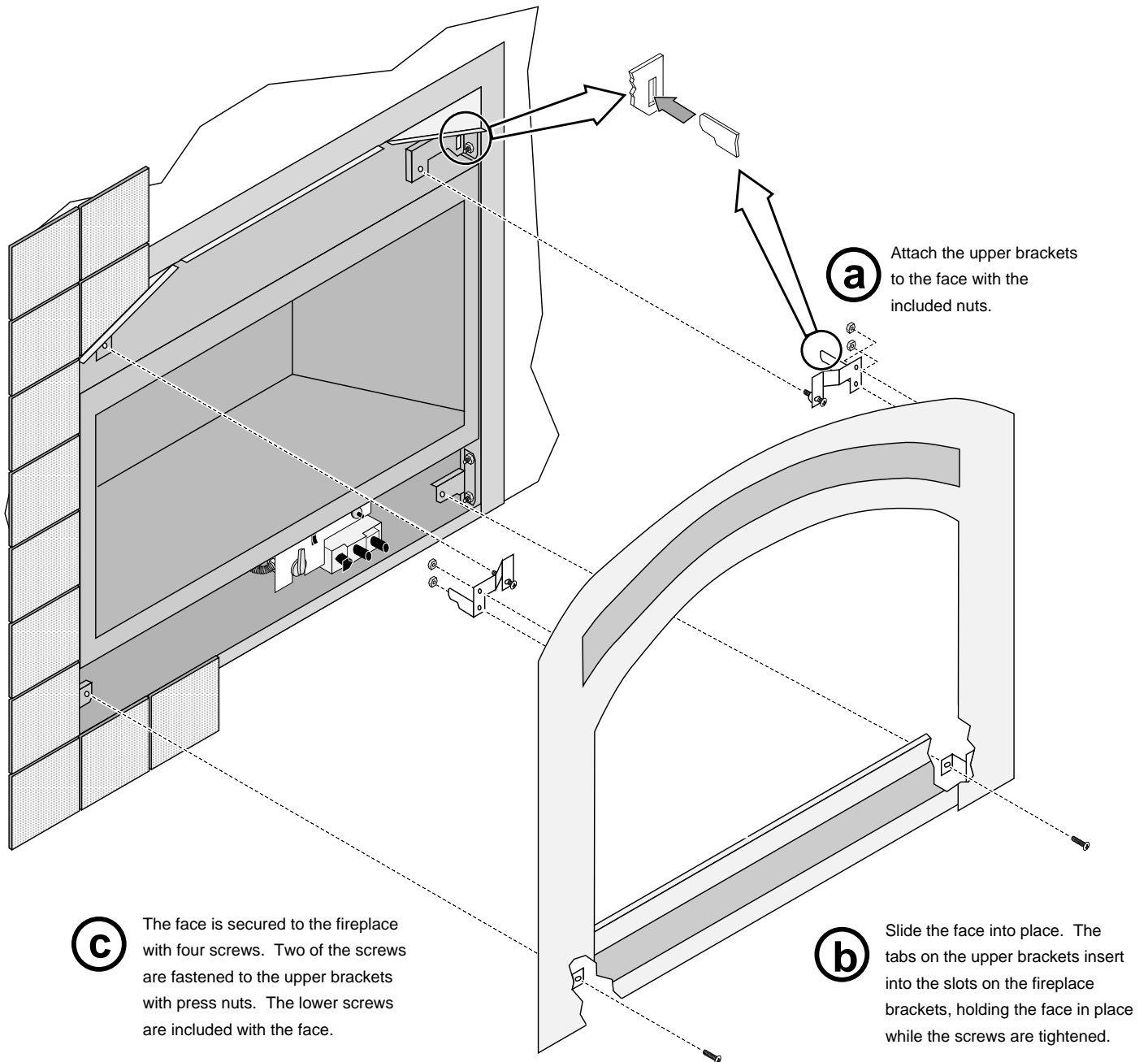
### Floor-Level Fireplaces





# 864TRV Arched Face

3 Install the face following the directions below.

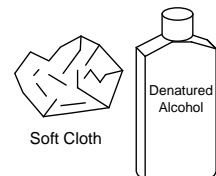


**c** The face is secured to the fireplace with four screws. Two of the screws are fastened to the upper brackets with press nuts. The lower screws are included with the face.

**b** Slide the face into place. The tabs on the upper brackets insert into the slots on the fireplace brackets, holding the face in place while the screws are tightened.

## **Plated Surfaces**

Use denatured alcohol and a soft cloth to clean plated surfaces. Marks left on the surface may damage the face.



## Free Manuals Download Website

<http://myh66.com>

<http://usermanuals.us>

<http://www.somanuals.com>

<http://www.4manuals.cc>

<http://www.manual-lib.com>

<http://www.404manual.com>

<http://www.luxmanual.com>

<http://aubethermostatmanual.com>

Golf course search by state

<http://golfingnear.com>

Email search by domain

<http://emailbydomain.com>

Auto manuals search

<http://auto.somanuals.com>

TV manuals search

<http://tv.somanuals.com>