



Operation Instruction



1/3" CCD Outdoor IR Bullet Color Camera, with Vari-focal

EZ430

Operation Instruction

© 2008 EverFocus Electronics Corp

Please read this manual first for correct installation and operation. This manual should be retained for future reference. The information in this manual was current when published. The manufacturer reserves the right to revise and improve its products. All specifications are therefore subject to change without notice.

All rights reserved. No part of the contents of this manual may be reproduced or transmitted in any form or by any means without written permission of the EverFocus Electronics Corporation.

Precautions

1. Do not place any object on top of the cover.
2. Be careful when handling the camera, do not drop it or subject it to strong shock or vibration to prevent any damages to it. Do not disassemble it or place it on an unstable base.
3. Install the camera away from TV, radio transmitter, magnet, electric motor, transformer, audio speakers because the magnetic fields generate from above devices will distort the video image.
4. Install the camera away from stoves, or other heat generating devices as the high temperature could cause deformation, discoloration or other damages of the camera. Install the camera at where the temperature range will stay between -40°C to 50°C (-40°F to 122°F).
5. Never aim the camera at the sun or other extremely bright objects whether it is in use or not.
6. Do not touch the surface of CCD sensor by hand directly. Use a soft cloth to remove the dirt from the camera body. Use lens tissue or a cotton tipped applicator and ethanol to clean the CCD sensor and the camera lens. When the camera is not in use, put the cover cap on the lens mount.
7. All warnings on the products and in the operating instructions should be adhered to.
8. Do not use attachments not recommended by the appliance manufacturer as they may cause hazards.
9. Do not allow anything to rest on the power cord. Do not locate this appliance where the cord will be abused by persons walking on it.
10. Do not overload wall outlets and extension cords as this can result in fire or electric shock.
11. Never push objects of any kind into his appliance through cabinet slots as they may touch dangerous voltage points or short out parts that could result in fire or electric shock.
12. Refer all work related to the installation of this product to qualified service personnel or system installers.

Federal Communication Commission Interference Statement

This equipment has been tested and found to comply with the limits for a Class A digital device, pursuant to Part 15 of the FCC Rules. These limits are designed to provide reasonable protection against harmful interference in a residential installation. This equipment generates, uses and can radiate radio frequency energy and, if not installed and used in accordance with the instructions, may cause harmful interference to radio communications. However, there is no guarantee that interference will not occur in a particular installation. If this equipment does cause harmful interference to radio or television reception, which can be determined by turning the equipment off and on, the user is encouraged to try to correct the interference by one of the following measures:

- Reorient or relocate the receiving antenna.
- Increase the separation between the equipment and receiver.
- Connect the equipment into an outlet on a circuit different from that to which the receiver is connected.
- Consult the dealer or an experienced radio/TV technician for help.

FCC Caution: Any changes or modifications not expressly approved by the party responsible for compliance could void the user's authority to operate this equipment.

This device complies with Part 15 of the FCC Rules. Operation is subject to the following two conditions: (1) This device may not cause harmful interference, and (2) this device must accept any interference received, including interference that may cause undesired operation.

Table of Contents

| | |
|---------------------------------------|----|
| 1. Product Overview..... | 5 |
| 1.1 Features | 5 |
| 1.2 Accessory Parts List..... | 6 |
| 1.3 Specifications | 7 |
| 1.4 Dimensions | 8 |
| 1.5 Camera Component Description..... | 10 |
| 1.6 Back Panel Layout | 11 |
| 2. INSTALLATION | 12 |
| 2.1 Wiring and Mounting | 12 |
| 2.2 Adjusting Camera Position | 13 |
| 2.3 Adjusting Image | 14 |

Chapter 1

Product Overview

The EverFocus EZ430 is a true day/night weatherproof IR bullet style color camera. Engineered with a motorized lens controller, you can adjust the zoom, focus and IRIS level with a simple touch of a button located on the back panel of the camera housing. EZ430 provides Cable Management Solution, allowing you to place cable wires inside the camera housing and bracket to eliminate messy wiring and damage. Vandal resistant and weatherproof IP66 rated, the EZ430 is perfect for any outdoor surveillance under the most extreme weather conditions.

1.1 Features

- 520 TVL of excellent high resolution technology
- Up to 30 meters/98 ft. of IR range
- Vari-focal lens to offer you a wide variety of angle viewing
- High sensitivity with SONY Super HAD CCD
- True Day/Night function with removable IR cut filter
- Motorized lens controller for easy zoom and focus adjustment
- IRIS level adjustment
- Cable wires are placed inside camera bracket to eliminate messy wiring and damage
- Intelligent Vari-frequency of IR control to save electricity and make brightness balance
- Split glass design to avoid LED light reflection
- Up to 20,000 hours of high IR LED lifespan
- Vandal resistant for intentional destruction
- Weatherproof and IP66 rated

1.2 Accessory Parts List



Please be careful when you unpack the box due to the electronics devices inside. Check and make sure that you have all the items listed below inside the original box:

Camera Unit x 1

Bracket x 1 (Connected with camera body)

Operation Manual x 1

Mounting kit includes:

- Long Screws x 4 (for mounting bracket)

- Expanding Screws x 4

- Washer x 4

- Hex key Wrench x1

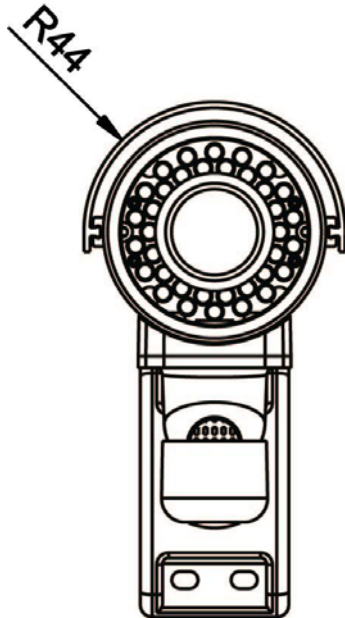
Please Note: If an item appears to have been damaged in shipment, replace it properly in its carton and notify the shipper. If any items are missing, notify your EverFocus Electronics Corp. Sales Representative or Customer Service. The shipping carton is the safest container in which the unit may be transported. Save it for possible future use.

1.3 Specifications

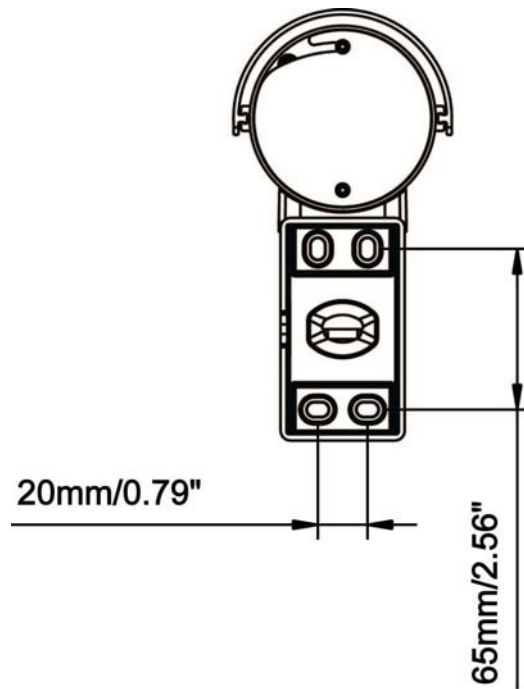
| Items | Parameter |
|-----------------------|--|
| Pickup Device | 1/3" SONY Super HAD CCD |
| Video Format | NTSC or PAL |
| Scanning System | NTSC:525 TV lines, 60 fields/sec PAL:625 TV lines, 50 fields/sec. |
| Picture Elements | 768 x 494(NTSC); 752 x 582 (PAL) |
| Horizontal Resolution | 520 TV lines |
| Sensitivity | 0.4 Lux / F=1.2(IR OFF) ; 0 Lux (IR ON) |
| S/N Ratio | Over 48 dB(AGC Off) |
| Electronic Shutter | 1/50(1/60)~1/100,000 |
| Lens Type | Vair-focal lens, f=2.9~10mm , f=9~22mm |
| Back Light Comp. | Yes |
| Auto Gain Control | Yes |
| Auto White Balance | Yes(2500°K ~9000°K) |
| True Day & Night | Yes |
| Gamma Correction | 0.45 |
| Video Output | BNC 1.0Vp-p, 75ohm |
| Sync. Mode | Internal sync. |
| Power Source | 12VDC/24VAC |
| Power Consumption | 12VDC:12W max. (Heater On & IR LED On) 24VAC:15W max. (Heater On & IR LED On) |
| Dimensions | 88mm(W) x 235.3mm(D) x 174.2mm(H); 3.46"(W)x 9.26"(D) x 6.86"(H) |
| Weight | 1.15kg ; 2.53lbs |
| Operating Temperature | -40°C ~ 50°C ; -40°F~122°F (20%~80% Humidity) |
| IR Distance | 30M / 98 feet |
| IR Wavelength | 850nm |
| IR LED Lifespan | 20,000 hours |
| Weatherproof | IP66 |
| Vandal Resistant | Yes |
| Heater | Yes, built-in |
| Certifications | FCC/CE |

1.4 Dimensions

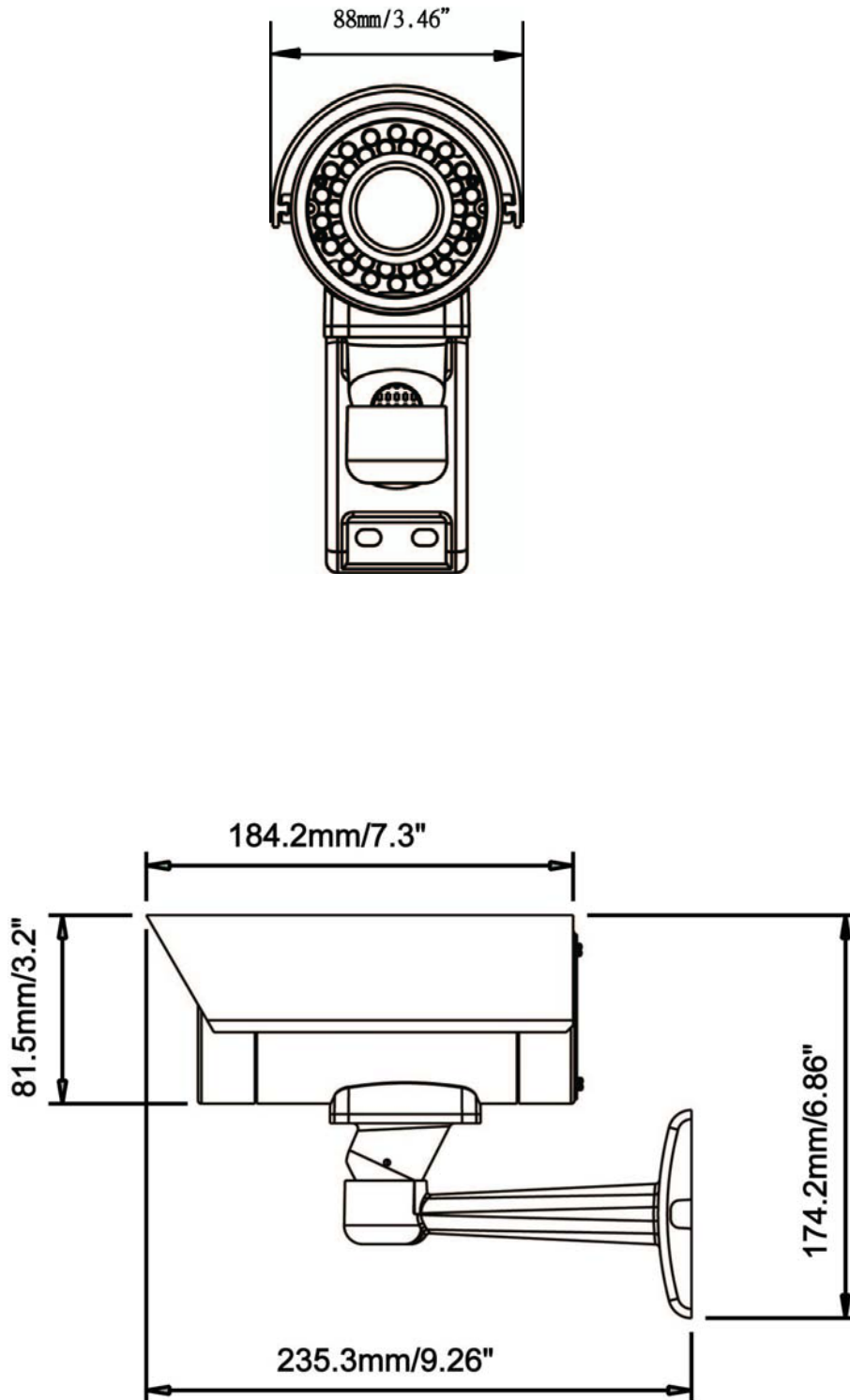
Radius: 88mm/3.46 inches



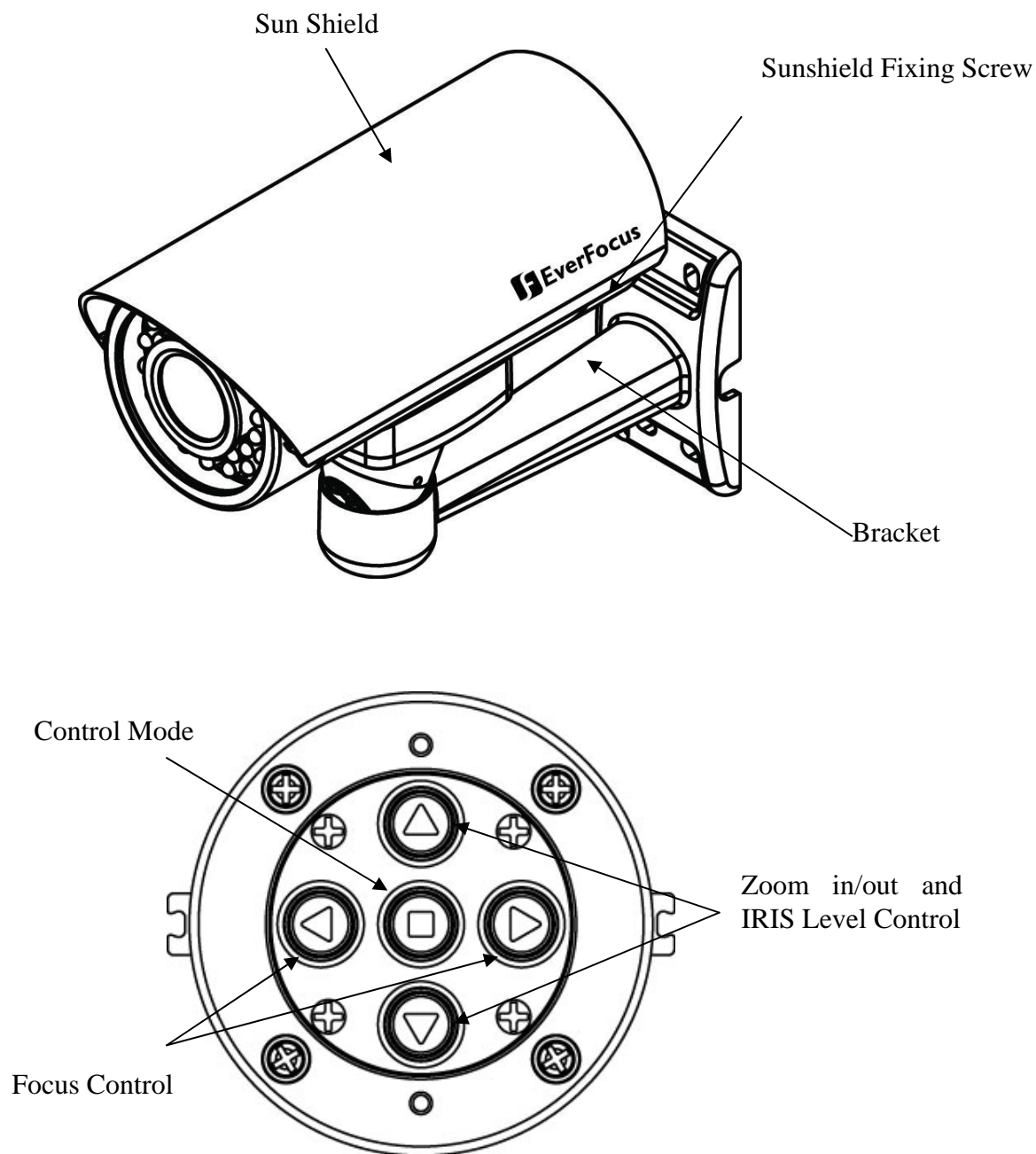
Dimension of holes to holes



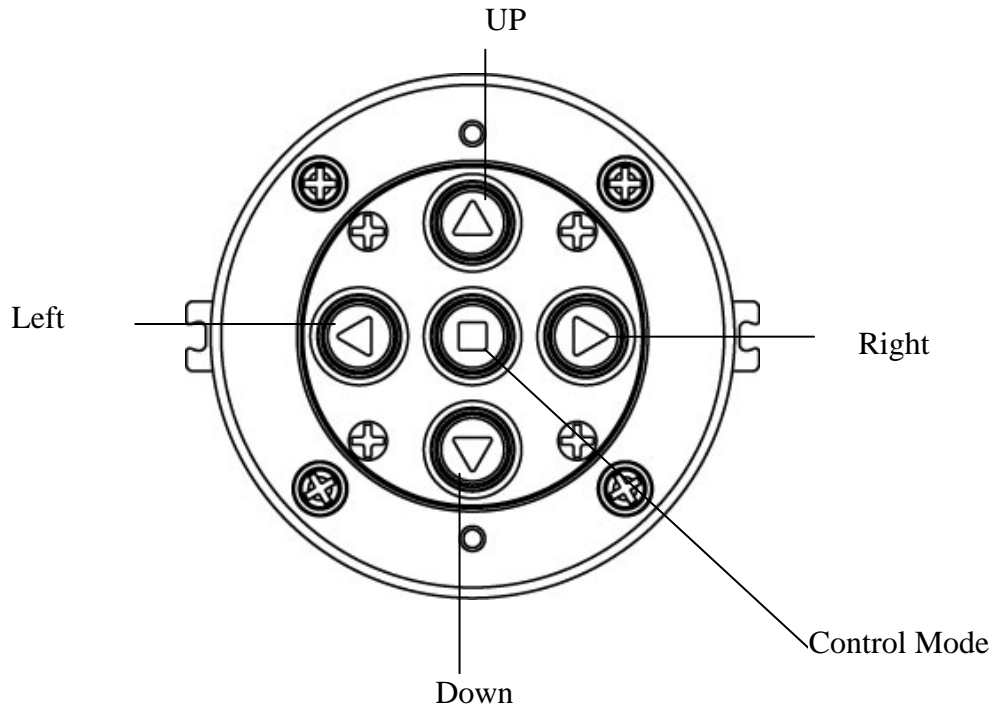
Dimension of whole camera with bracket



1.5 Camera Component Description



1.6 Back Panel Layout



There are two modes in “Control Mode” button. When power is on, it turns to green light. Press “Control Mode” can toggle switch green light and red light.

1. Green Light on

Press Up and Down keys to adjust Zoom In / Zoom out

Press Right and Left keys to adjust focus

2. Red Light

(1) Press Up and Down keys to adjust IRIS Level.

(2) Press Left and Right keys simultaneously to reset the default value for IRIS level.

Installation

This chapter will describe, in general terms, how to install the EZ430 camera.

STEPS:

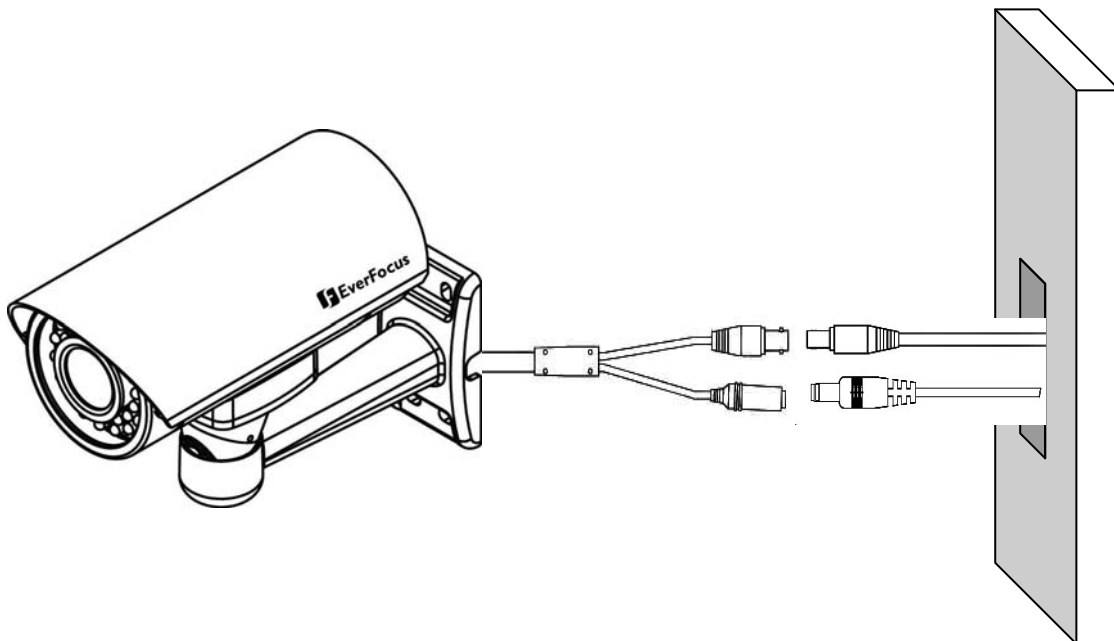
1. Wire and mount the camera, See 2.1
2. Adjust the camera position, See 2.2
3. Adjusting image, See 2.3

Warning

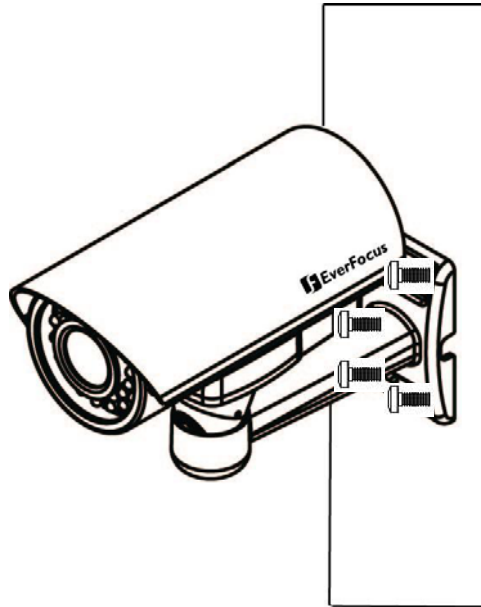
- To prevent electrical shock, turn off the electrical power before making electrical connections.
- Do not connect high voltage power to the camera. It may damage the camera.
- Do not short circuit the power leads and expose the wire when connecting the power supply to the camera

2.1 Wiring and Mounting

1. Pull the cables to be connected to power and video cables from wall.

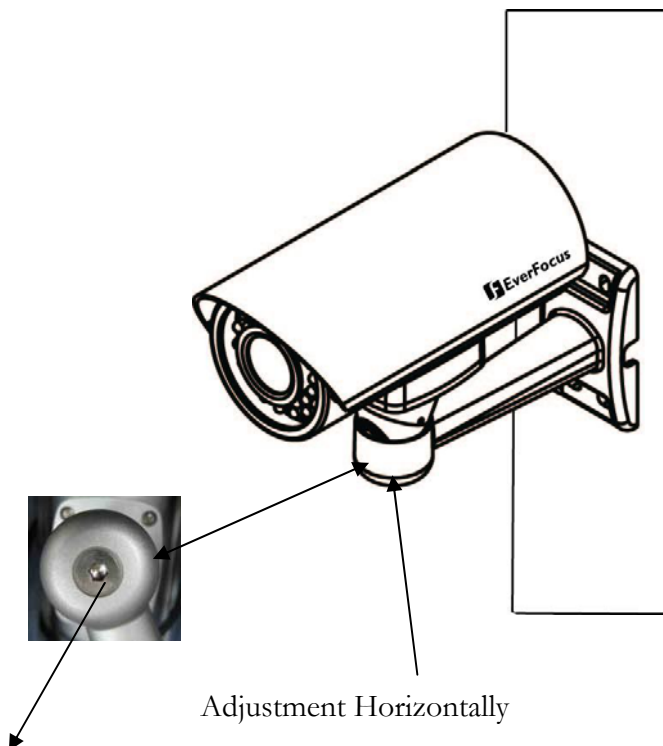


2. Fix the camera to the wall by using the 4 screws.



2.2 Adjusting Camera Position

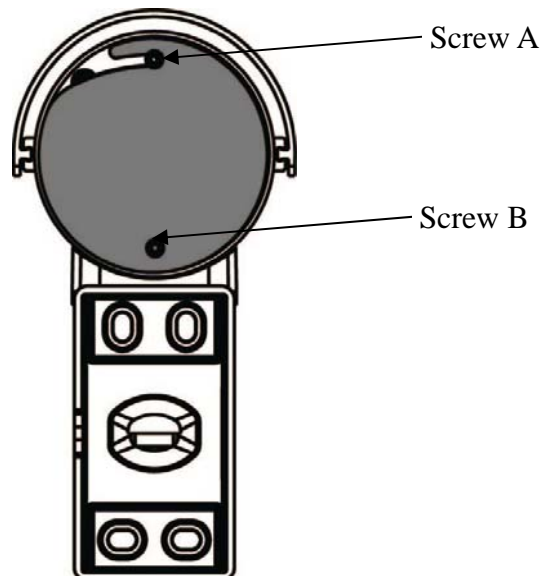
Adjust camera for the best viewing angle by using hex key wrench.



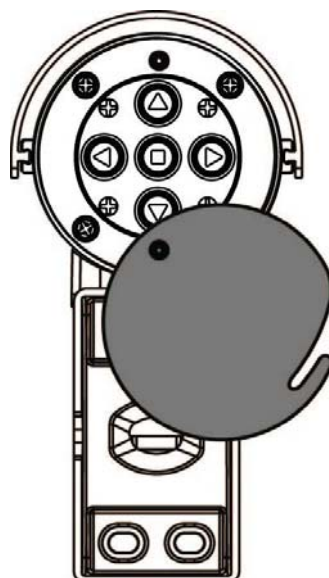
Note: Before you adjust camera's angle, please use Hex key Wrench to loose the screw first. To adjust the angle easier and to avoid paint-off scratches the bracket.

2.3 Adjusting Image

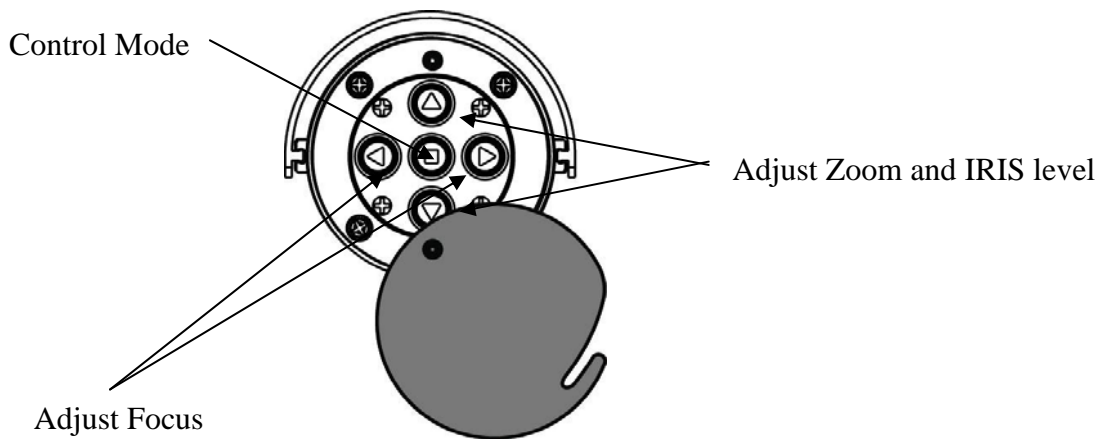
1. There is a protect cover at camera's back panel, loose screw A.



2. Remove the "protect cover".



3. Adjust focus, zoom and IRIS level.



(1) Green Light on

Press Up and Down keys to adjust Zoom In / Zoom out

Press Right and Left keys to adjust focus

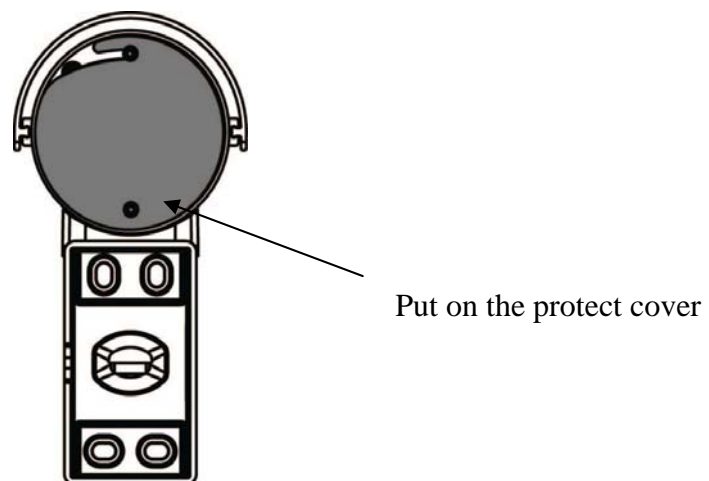
(2) Red Light

(A) Press Up and Down keys to adjust IRIS Level.

(B) Press left and right keys simultaneously to reset the default value for IRIS level.

4. Put on the protect cover

To avoid people touching the zoom and focus buttons, put on the protect cover all the time after adjusted the image.



EverFocus Electronics Corp.

Headquarter Office

12F, No.79 Sec.1 Shin-Tai Wu Road,
Hsi-Chi, Taipei, Taiwan
Tel: +886-2-26982334
Fax: +886-2-26982380

Beijing office

Room 609,Technology Trade Building.
Shangdi Information Industry Base,
Haidian District,Beijing China
Tel: +86-10-62971096
Fax: +86-10-62971423

European Office

Albert-Einstein-Strasse 1,
D-46446 Emmerich, Germany
Tel: +49-2822-9394-0
Fax: +49-2822-939495

Japan Office

5F Kinshicho City Building · 2-13-4 Koto-bashi ·
Sumida-Ku · Tokyo · 130-0022 · Japan
Tel: +81-3-5625-8188
Fax: +81-3-5625-8189

USA California Office

1801 Highland Ave. Unit A
Duarte, CA 91010 ,U.S.A
Tel: +1-626-844-8888
Fax: +1-626-844-8838

USA New York Office

415 Oser Ave Unit S
Hauppauge, NY 11788
Sales: +1-631-436-5070
Fax: +1-631-436-5027

India Office

Suite 803, 8th Floor,
Housefin Bhavan,
C-21 Bandra Kurla Complex,
Bandra (East), Mumbai 400 051
Tel: +91 22 6128-8700



Your EverFocus product is designed and manufactured with high quality materials and components which can be recycled and reused. This symbol means that electrical and electronic equipment, at their end-of-life, should be disposed of separately from your household waste. Please, dispose of this equipment at your local community waste collection/recycling centre. In the European Union there are separate collection systems for used electrical and electronic product. Please, help us to conserve the environment we live in!

Ihr EverFocus Produkt wurde entwickelt und hergestellt mit qualitativ hochwertigen Materialien und Komponenten, die recycelt und wieder verwendet werden können. Dieses Symbol bedeutet, dass elektrische und elektronische Geräte am Ende ihrer Nutzungsdauer vom Hausmüll getrennt entsorgt werden sollen. Bitte entsorgen Sie dieses Gerät bei Ihrer örtlichen kommunalen Sammelstelle oder im Recycling Centre. Helfen Sie uns bitte, die Umwelt zu erhalten, in der wir leben!



EverFocus[®]

P/N: 4605XZ0430001AR_Ver.C

Free Manuals Download Website

<http://myh66.com>

<http://usermanuals.us>

<http://www.somanuals.com>

<http://www.4manuals.cc>

<http://www.manual-lib.com>

<http://www.404manual.com>

<http://www.luxmanual.com>

<http://aubethermostatmanual.com>

Golf course search by state

<http://golfingnear.com>

Email search by domain

<http://emailbydomain.com>

Auto manuals search

<http://auto.somanuals.com>

TV manuals search

<http://tv.somanuals.com>