

Speed Dome

EPTZ3100/EPTZ3100I

USER MANUAL



Date: Jan. 2009

Table of Contents

1. EPTZ3100/EPTZ3100I OVERVIEW.....	5
1.1. Introduction	5
1.2. Specifications	7
1.3. Feature	9
1.3.1. Profile of EPTZ3100/EPTZ3100I.....	9
1.3.2. EPTZ3100/EPTZ3100I Base Board	10
1.4. EPTZ3100/EPTZ3100I Quick Operation Guide (Work with EKB500)	12
2. EPTZ3100/EPTZ3100I INSTALLATION	13
2.1. Packing List	13
2.2. Cable Needed.....	15
2.3. Initial Setup	15
2.3.1. Address Setting.....	16
2.3.2. Communication Protocol Setting	20
2.3.3. Transmission Speed Setting (Baud Rate Setting)	20
2.4. Bracket and Speed Dome Installation	21
2.4.1. Installation Requirements.....	21
2.4.2. EPTZ3100 Dome Camera Wall Mount Simple Installation	22
2.4.3. EPTZ3100 Dome Camera Wall Mount Installation	25
2.4.4. EPTZ3100 Dome Camera Ceiling Mount Installation	32
2.5. Bracket and Adapter	36
2.5.1. Indoor Ceiling Pendent Mount Bracket.....	36
2.5.2. Pole Mount Adapter.....	36
2.5.3. Corner Mount Adapter	37
2.5.4. Indoor Concrete Ceiling Mount Adapter	37

3.	EPTZ3100/EPTZ3100I CAMERA SETUP MENU	38
3.1.	Structure of the Setup Menu	38
3.2.	VIDEO SETTINGS	39
3.2.1.	EXPOSURE	39
3.2.2.	FOCUS MODE.....	41
3.2.3.	DIGITAL ZOOM.....	42
3.2.4.	WHITE BALANCE	42
3.2.5.	DAY/NIGHT	42
3.2.6.	DIG. NOISE REDUCE	43
3.2.7.	WIDE DYNAMIC RANGE.....	43
3.2.8.	EXIT	44
3.3.	POSITIONS.....	45
3.4.	OSD/AREAS	48
3.4.1.	CAM. TITLE.....	48
3.4.2.	AREAS	48
3.4.3.	DIRECTIONS	50
3.4.4.	DISPLAY	52
3.4.5.	EXIT	54
3.5.	AUTO MODES	54
3.5.1.	AUTOPAN	54
3.5.2.	PRESET TOURS	57
3.5.3.	PATTERN.....	58
3.5.4.	AUTO RESUME	59
3.5.5.	RESUME TO	59
3.5.6.	POWER UP FUNC.....	60
3.5.7.	AUTO FLIP.....	60

3.5.8.	EXIT	60
3.6.	ALARM	60
3.6.1.	ALARM INPUTS.....	60
3.6.2.	ALARM OUTPUTS.....	63
3.6.3.	MOTION DETECT.....	64
3.6.4.	EXIT	64
3.7.	PRIVATE ZONES	65
3.8.	SYSTEM.....	67
3.9.	INFO.....	68
3.10.	EXIT	69
4.	EPTZ3100/3100I FUNCTION SETUP AND OPERATION	70
4.1.	Manual Control Mode	70
4.2.	Auto Pan Mode	70
4.3.	Position Setting	71
4.4.	Tour Mode	72
4.5.	Alarm Link to a Position/Tour	73
4.6.	Other Operations	74

1. EPTZ3100/EPTZ3100I OVERVIEW

1.1. Introduction

EPTZ3100 series has 2 types, EPTZ3100 is outdoor type whereas EPTZ3100I is indoor type, using high sensitivity and high resolution CCD to display high quality image. The design of ICR (IR cut filter removable) can provide real color even under strong sunlight in day time. Under slight light in night time, a clear image can still be displayed. WDR design allows the camera to be installed in any environment. Fast moving function can reach to 360°/1sec. No matter high speed scanning or low speed scanning, the solid base can avoid vibration. This full-functioned speed dome can perform best quality images!

- EPTZ3100 for outdoor model; EPTZ3100I for indoor model
- Built in 30x Optical Zoom Lens
- Super High Resolution 520TV Lines
- True Day/Night function (IR Cut Filter Removable)
- Wide Dynamic Range
- Digital Slow Shutter
- Privacy Zone Masking
- Motion Detection
- Auto detection of protocols
- Tilt rotation range: 180°
- 192 preset positions are available
- 16 cruise tours can be set, and each tour contains up to 16 positions
- 4 Alarm Inputs / 2 Alarm Outputs
- Running to position speed, 0.01°/s to 360°/s
- RS485 Communication
- IP66 (for EPTZ3100)

Furthermore, the micro control unit enables camera a nimble and exact movement from minimal 0.01°/sec to maximal 360°/sec. It can go to every preset position in 1 second. It also has other advantages such as:

- 192 preset positions are available.
- 16 cruise tours can be set, and each tour contains up to 16 positions.
- Up to 256 speed domes can be supported on a RS-485 bus when all speed domes are controlled by keyboard EKB500.
- Built-in fan to enhance heat dissipation at high temperature and circulate heat to keep system operation at low temperature.
- Built-in 4 alarm inputs and 2 alarm outputs.

All of the features make the intelligent high-speed dome camera works for a wide range and demanding application such as banks, airports, stations, casinos, streets of cities, intelligent buildings, etc.

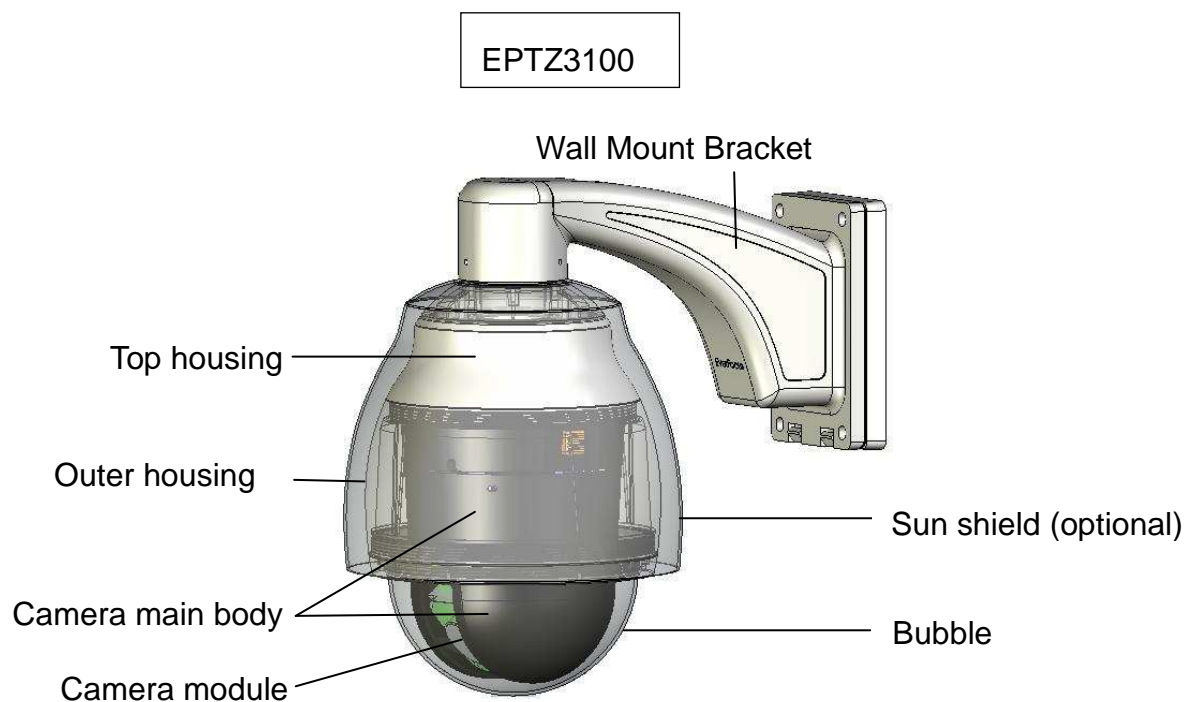
1.2. Specifications

Product Model	EPTZ3100 (outdoor)	EPTZ3100I (indoor)
Pickup Device	1/4" CCD	
Video Format	NTSC or PAL	
Scanning System	NTSC: 525 TV lines, 60 fields/sec PAL: 625 TV lines, 50 fields/sec.	
Picture Elements	768 x 494 (NTSC) 752 x 582 (PAL)	
Horizontal Resolution	520 TV Lines	
Sensitivity	0.4 Lux/ F1.6 (ICR OFF) 0.08 Lux/ F1.6 (ICR ON)	
S/N Ratio	50 dB (Weight ON)	
Electronic Shutter	128x~1/60~1/120,000(s) (NTSC) 128x~1/50~1/120,000(s) (PAL)	
Digital Slow Shutter	128x	
Shutter Selection	AUTO; A.FLK; Manual 128x~1/60 (1/50)~1/120,000 selectable	
Lens Type	30x optical zoom, f=3.3 mm (wide) to 99.0mm (tele), F1.6 to F3.2	
Zoom Ratio	240x max. (30x Optical and 8x Digital zoom)	
True Day & Night	Yes (Auto/DAY/NIGHT)	
Backlight Comp.	Yes (OFF/LOW/MIDDLE/HIGH)	
Wide Dynamic Range	Yes (OFF/ON/AUTO)	
White Balance	Indoor / Outdoor/MAN5100K/MAN3200K/MAN2000K/ONE PUSH	
Motion Detection	Yes (ON/OFF)	
Privacy Zone Masking	Yes (8 zones)	
Video Output	1Vp-p / 75 ohm	
Sync. Mode	Internal	
Power Source	24VAC	
Power Consumption	21W Max	
Operating Temperature	- 40°C ~+50°C ≤95%	-10°C ~+50°C ≤85%
Focus Control	One push/Auto/Manual	

Horizontal Rotation Speed	0.01°/s – 360°/s (1-255 grade shift gears)
Horizontal Rotation Range	360° unlimited rotation
Tilt Rotation Range	180° pendulum motion
Auto Zoom Speed Control	Control speed auto-adjusted according to zoom length changing
Auto Pan, 2 points scanning	Can set freely
Auto Pan Speed	1 – 255 grade available
Dwell Time (2 points)	1 – 99 second available
Preset Positions	192 positions
Running to position speed	1 – 255 grade available, 0.01°/s - 360°/s
Dwell time at preset position	1 – 99 available
Tour	16 groups
Tour point per group	16 preset positions
Pattern	4 patterns with 90 sec long each
Fan	Fan auto starts
Position Accuracy	±0.1°
Alarm	4 in 2 out with tour/position auto triggering
Built-in Menu for Functions	Yes
Communication	RS-485
Communication Speed	1200/2400/4800/9600bps
Built-in Protocols	EVF-1; EVF-2; Pelco-P ;Pelco-D; A-Type; Plus-D; AUTO; Panasonic (Plus-D supports all other brands, it is equivalent to Pelco-D)
Address Editable	Yes (through DIP switch)
Speed Dome Address	0-255
Manual Pan/Tilt Speed	Pan: 0.01° ~ 360°/s ; Tilt: 0.01° ~ 180°/s
Safety	CE, FCC
Dimensions	180mm(W) x 270mm(H) ; 70.9"x106.3"
Weight	3.0kg

1.3. Feature

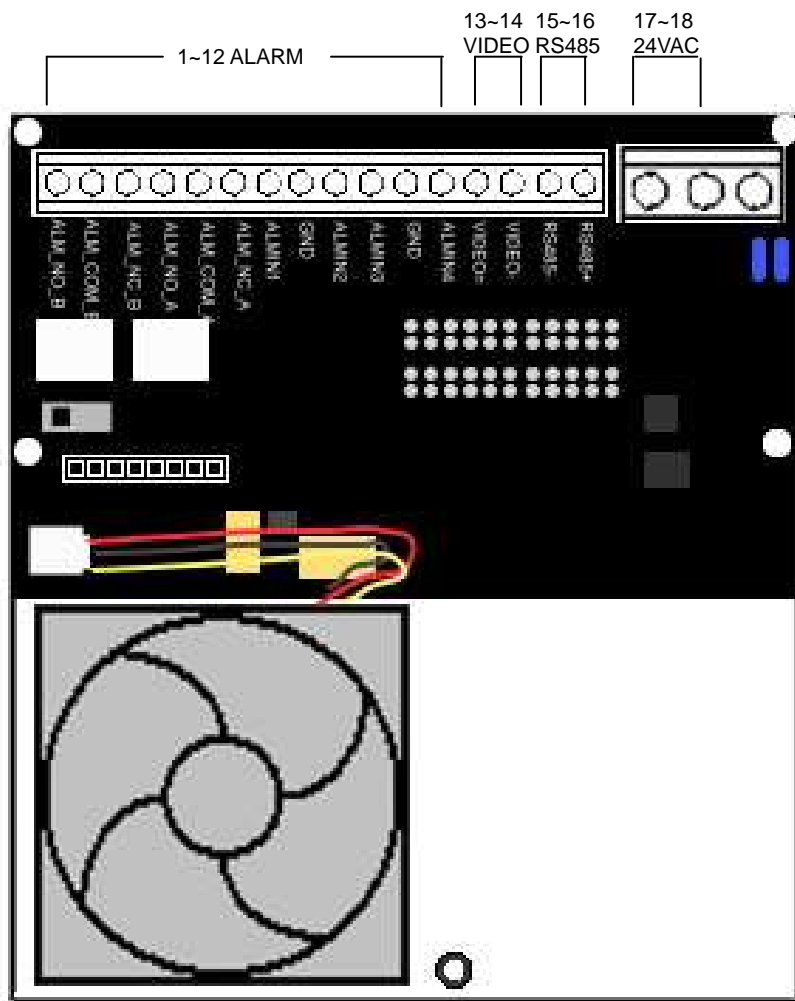
1.3.1. Profile of EPTZ3100/EPTZ3100I



1.3.2. EPTZ3100/EPTZ3100I Base Board

The base board that is inside the top housing connects to power cable, video cable, control cable, alarm cable and fan. In order to connect to cables, the board needs to be taken off, and put back after finishing connecting to all cables. The connectors of cable names are marked on the board in white text. The details of the alarm connector are shown on the APPENDIX.

There are 4 alarm inputs and 2 alarm outputs available, represented by Pin 1~12. Pin 13 and 14 are video pins for connecting to video cable. Pin 15~16 are RS485 pin for connecting to keyboard. Pin 17 and 18 are power pin for connecting to 24VAC power.



EPTZ3100 Base board

Pin #	Function
1	ALM_NO_B (Alarm Output Normal Open B)
2	ALM_COM_B (Alarm Output Common B)
3	ALM_NC_B (Alarm Output Normal Close B)
4	ALM_NO_A (Alarm Output Normal Open A)
5	ALM_COM_A (Alarm Output Common A)
6	ALM_NC_A (Alarm Output Normal Close A)
7	ALMIN1 (Alarm Input 1)
8	GND (Ground)
9	ALMIN2 (Alarm Input 2)
10	ALMIN3 (Alarm Input 3)
11	GND (Ground)
12	ALMIN4 (Alarm Input 4)
13	VIDEO+
14	VIDEO-
15	RS485-
16	RS485+
17	AC24A+
18	AC24B-

1.4. EPTZ3100/EPTZ3100I Quick Operation Guide (Work with EKB500)

EPTZ3100/EPTZ3100I and EKB500 (Keyboard) can work together by using factory default setting. You just need to connect cables by the following steps:

1. Connect the RS-485 cable to EPTZ3100/EPTZ3100I and a keyboard (EKB500).
2. Connect a video cable from EPTZ3100/EPTZ3100I to a monitor.
3. Connect the power to the EPTZ3100/EPTZ3100I and a keyboard (EKB500).

After the EPTZ3100/EPTZ3100I finishes the self-test mode, you can start to operate the EPTZ3100/EPTZ3100I via the keyboard.

To operate the EPTZ3100/EPTZ3100I:



1. Shift the Joystick up/down or right/left to view from camera.
2. Turn the top of the Joystick to zoom in/out.
3. Press Zoom In/Out, Focus F./N. and IRIS +/- function keys to operate the EPTZ3100/EPTZ3100I.

2. EPTZ3100/EPTZ3100I INSTALLATION

2.1. Packing List

There are 3 boxes that are camera main body with a camera module, top housing with a base board & pin connector and outer housing with bubble, plus one tool packet in the package. The detail accessories are listed below:

Standard

- Camera Main Body x 1
- Top Housing x1
- Outer Housing with Bubble x1
- Tool packet
 - ◇ Glove x 1 pair
 - ◇ RS485 Terminal Block
 - ◇ 3 desiccant packs

Optional Accessories

* EPTZ-PBOX
(External Power
Connection Box)



* Corner Mount Adapter



* Pole Mount Adapter



* Indoor Ceiling Pendent Mount
Bracket



* Outdoor Sunshield



* Indoor Recessed Mount Bracket



* Wall Mount Bracket



* Indoor Concrete Ceiling Mount
Adapter



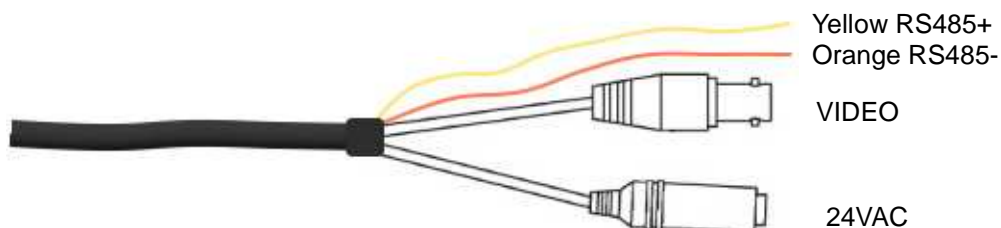
* EKB500 (Keyboard)



* EKB200 (USB Controller Keyboard)



2.2. Cable Needed



Power Cable

An adapter with 24VAC/3.5A output provides the power to the EPTZ3100/EPTZ3100I. An extension power line may be needed.

Note: The input AC voltage range of an adapter depends on different area.

Please make sure the voltage range before installing.

Video Cable

A BNC cable is used for connecting an EPTZ3100/EPTZ3100I to a DVR or a monitor. An amplifier may be needed if the video cable is too long.

RS485 Cable

Yellow wire represents RS485+, orange wire represents RS485-. Connect RS485 to EKB500 and you will be able to control the speed dome by a keyboard. If you are unable to control the speed dome with EKB500, it is probably due to a mis-connection. Please try to switch RS485 wires and connect again.

2.3. Initial Setup

Initial setup includes dome address, communication protocol, transmission speed, and

terminal resistance settings. All of the settings should be confirmed before the dome is installed. The control-related setting that is address, communication protocol and transmission speed have to be set consistently with the control device such as a keyboard or a DVR.

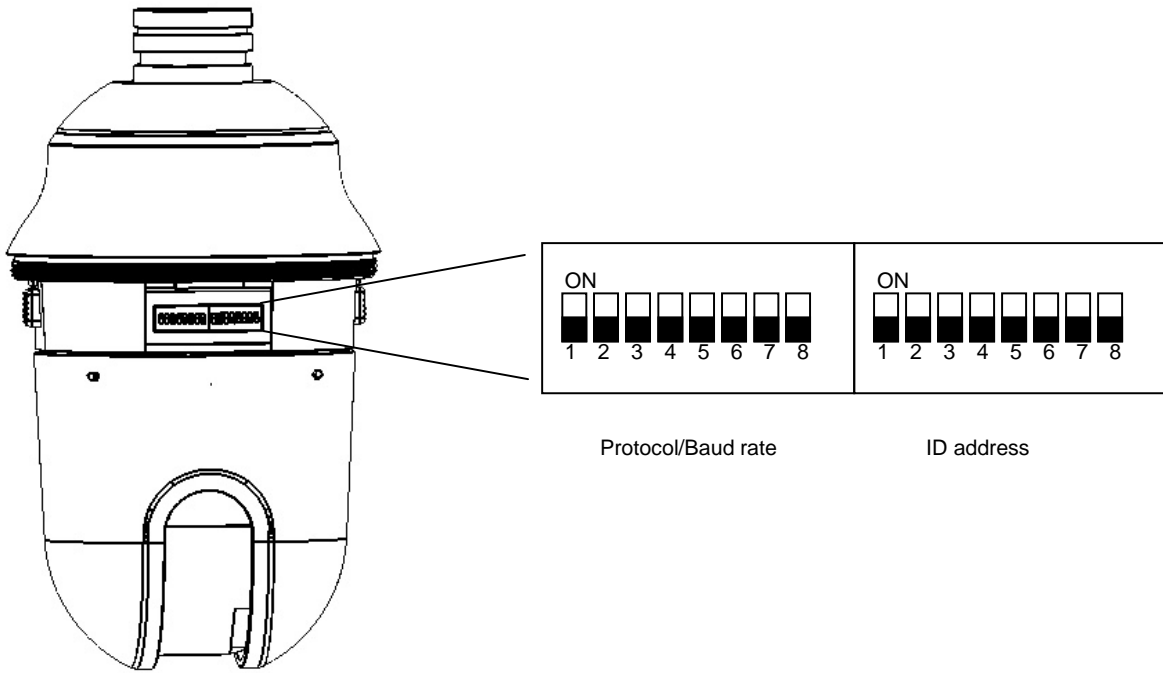
Notice: Please make sure the power is off before setting, and restart the EPTZ3100/EPTZ3100I to enable a new value after changing.

2.3.1. Address Setting

The address code of the EPTZ3100/EPTZ3100I should be set to correspond properly with a control device to control multiple dome cameras. The address codes are made up by the dip switch on the camera main body. The 8 bits dip switch indicates the binary coded of the address, and there are 256 addresses can be selected (0 ~ 255). It also means that there are up to 256 dome cameras that can cascade on the RS-485 bus. The dip switch setting and the indicated address are represented in the following diagram.

Note: The factory default address is 1.

Notice: Please make sure the power is off before setting, and restart the EPTZ3100/EPTZ3100I to enable a new value after changing.



Note: You will see the label of Protocol & Baud Rate as well as RS-485 ID address show on the speed dome. White part represents the switch key. For example: for EVF protocol, white keys are all switched downward; for ID Address 0, white keys are all switched downward.

SW1: Protocol, Baud Rate						
Protocol	1	2	3	Baud Rate	4	5
Auto (Default)	<input type="checkbox"/>	<input type="checkbox"/>	<input type="checkbox"/>	1200	<input type="checkbox"/>	<input type="checkbox"/>
EVF EverFocus	<input type="checkbox"/>	<input type="checkbox"/>	<input type="checkbox"/>	2400	<input type="checkbox"/>	<input type="checkbox"/>
Pelco-D, Plus-D	<input type="checkbox"/>	<input type="checkbox"/>	<input type="checkbox"/>	4800	<input type="checkbox"/>	<input type="checkbox"/>
Pelco-P	<input type="checkbox"/>	<input type="checkbox"/>	<input type="checkbox"/>	9600	<input type="checkbox"/>	<input type="checkbox"/>
A-Type (Samsung EL)	<input type="checkbox"/>	<input type="checkbox"/>	<input type="checkbox"/>		<input type="checkbox"/>	<input type="checkbox"/>
Panasonic	<input type="checkbox"/>	<input type="checkbox"/>	<input type="checkbox"/>		<input type="checkbox"/>	<input type="checkbox"/>

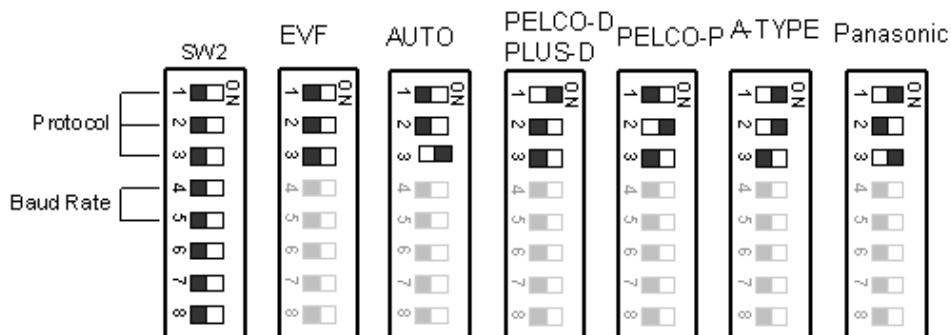
SW2: RS-485-Address (complete list in user manual)																		
Addr.	1	2	3	4	5	6	7	8	Addr.	1	2	3	4	5	6	7	8	
0	<input type="checkbox"/>	<input type="checkbox"/>	<input type="checkbox"/>	<input type="checkbox"/>	<input type="checkbox"/>	<input type="checkbox"/>	<input type="checkbox"/>	<input type="checkbox"/>	6	<input type="checkbox"/>	<input type="checkbox"/>	<input type="checkbox"/>	<input type="checkbox"/>	<input type="checkbox"/>	<input type="checkbox"/>	<input type="checkbox"/>	<input type="checkbox"/>	<input type="checkbox"/>
1	<input type="checkbox"/>	<input type="checkbox"/>	<input type="checkbox"/>	<input type="checkbox"/>	<input type="checkbox"/>	<input type="checkbox"/>	<input type="checkbox"/>	<input type="checkbox"/>	7	<input type="checkbox"/>	<input type="checkbox"/>	<input type="checkbox"/>	<input type="checkbox"/>	<input type="checkbox"/>	<input type="checkbox"/>	<input type="checkbox"/>	<input type="checkbox"/>	<input type="checkbox"/>
2	<input type="checkbox"/>	<input type="checkbox"/>	<input type="checkbox"/>	<input type="checkbox"/>	<input type="checkbox"/>	<input type="checkbox"/>	<input type="checkbox"/>	<input type="checkbox"/>	8	<input type="checkbox"/>	<input type="checkbox"/>	<input type="checkbox"/>	<input type="checkbox"/>	<input type="checkbox"/>	<input type="checkbox"/>	<input type="checkbox"/>	<input type="checkbox"/>	<input type="checkbox"/>
3	<input type="checkbox"/>	<input type="checkbox"/>	<input type="checkbox"/>	<input type="checkbox"/>	<input type="checkbox"/>	<input type="checkbox"/>	<input type="checkbox"/>	<input type="checkbox"/>	9	<input type="checkbox"/>	<input type="checkbox"/>	<input type="checkbox"/>	<input type="checkbox"/>	<input type="checkbox"/>	<input type="checkbox"/>	<input type="checkbox"/>	<input type="checkbox"/>	<input type="checkbox"/>
4	<input type="checkbox"/>	<input type="checkbox"/>	<input type="checkbox"/>	<input type="checkbox"/>	<input type="checkbox"/>	<input type="checkbox"/>	<input type="checkbox"/>	<input type="checkbox"/>	!									
5	<input type="checkbox"/>	<input type="checkbox"/>	<input type="checkbox"/>	<input type="checkbox"/>	<input type="checkbox"/>	<input type="checkbox"/>	<input type="checkbox"/>	<input type="checkbox"/>	255	<input type="checkbox"/>	<input type="checkbox"/>	<input type="checkbox"/>	<input type="checkbox"/>	<input type="checkbox"/>	<input type="checkbox"/>	<input type="checkbox"/>	<input type="checkbox"/>	<input type="checkbox"/>

Switch	Address	Switch	Address	Switch	Address	Switch	Address
	0		32		64		96
	1		33		65		97
	2		34		66		98
	3		35		67		99
	4		36		68		100
	5		37		69		101
	6		38		70		102
	7		39		71		103
	8		40		72		104
	9		41		73		105
	10		42		74		106
	11		43		75		107
	12		44		76		108
	13		45		77		109
	14		46		78		110
	15		47		79		111
	16		48		80		112
	17		49		81		113
	18		50		82		114
	19		51		83		115
	20		52		84		116
	21		53		85		117
	22		54		86		118
	23		55		87		119
	24		56		88		120
	25		57		89		121
	26		58		90		122
	27		59		91		123
	28		60		92		124
	29		61		93		125
	30		62		94		126
	31		63		95		127

Switch	Address	Switch	Address	Switch	Address	Switch	Address
	128		160		192		224
	129		161		193		225
	130		162		194		226
	131		163		195		227
	132		164		196		228
	133		165		197		229
	134		166		198		230
	135		167		199		231
	136		168		200		232
	137		169		201		233
	138		170		202		234
	139		171		203		235
	140		172		204		236
	141		173		205		237
	142		174		206		238
	143		175		207		239
	144		176		208		240
	145		177		209		241
	146		178		210		242
	147		179		211		243
	148		180		212		244
	149		181		213		245
	150		182		214		246
	151		183		215		247
	152		184		216		248
	153		185		217		249
	154		186		218		250
	155		187		219		251
	156		188		220		252
	157		189		221		253
	158		190		222		254
	159		191		223		255

2.3.2. Communication Protocol Setting

The 1st, 2nd and 3rd bits are used to set communication protocol. The factory default protocol is EVF.

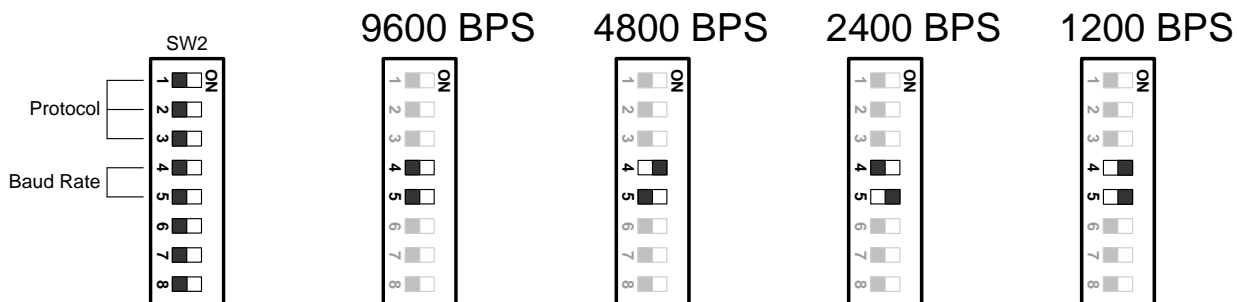


Notice: Please make sure the power is off before setting, and restart the EPTZ3100/EPTZ3100I to enable a new value after changing.

Set all of protocol switches to ON; the speed dome EPTZ3100/EPTZ3100I will enter a self-test mode.

2.3.3. Transmission Speed Setting (Baud Rate Setting)

The 4th and 5th bits on the PCB board are used to set the Baud Rate. The default baud rate setting is 9600.

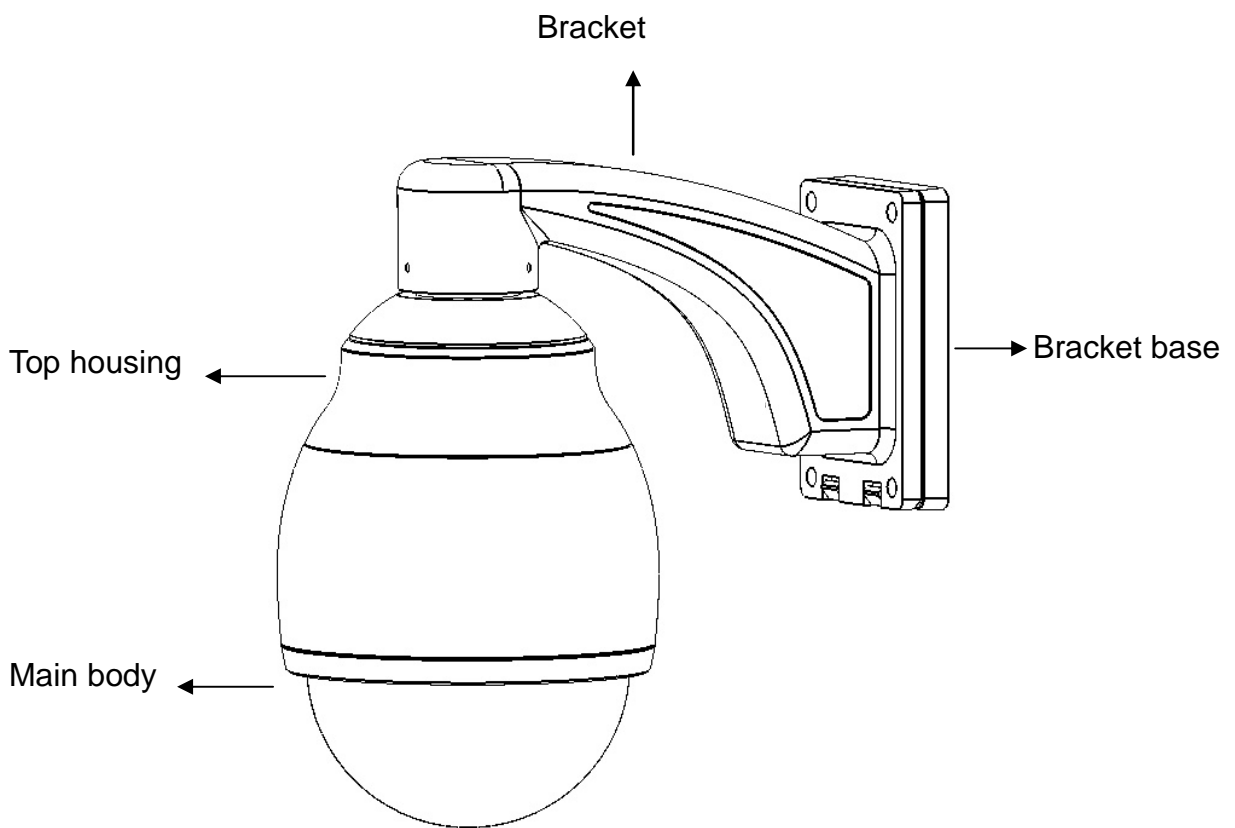


Notice: Please make sure the power is off before setting, and restart the EPTZ3100/EPTZ3100I to enable a new value after changing.

2.4. Bracket and Speed Dome Installation

2.4.1. Installation Requirements

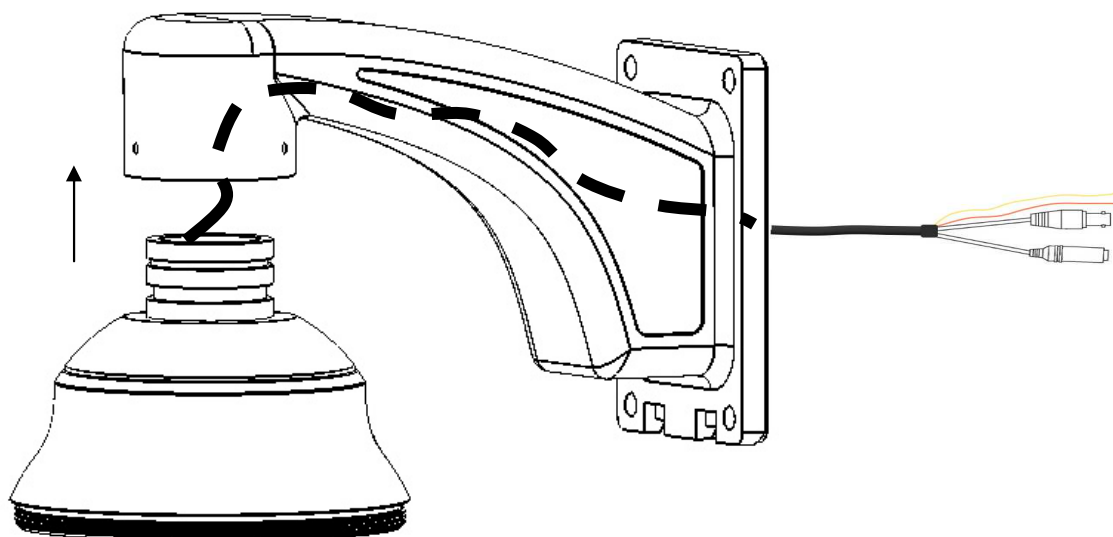
1. Installation should be handled by a qualified service agent and should comply with all local regulations. Service personnel should expect potential problems such as surface strength, surface material, falling objects, outer breaches, building vibration or other similar conditions.
2. Check for all necessary materials, and ensure if the selected installation location is suitable for the EPTZ3100/EPTZ3100I.



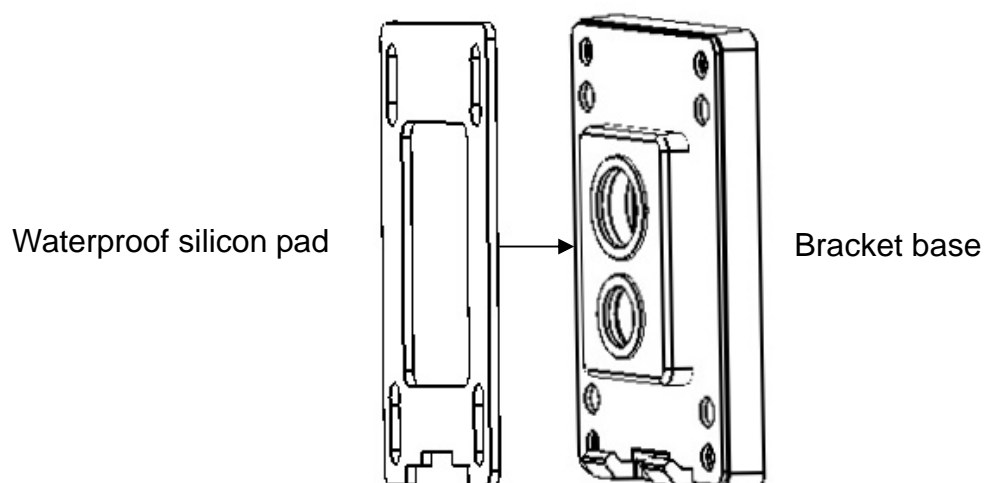
ETPZ3100 overview

2.4.2. EPTZ3100 Dome Camera Wall Mount Simple Installation

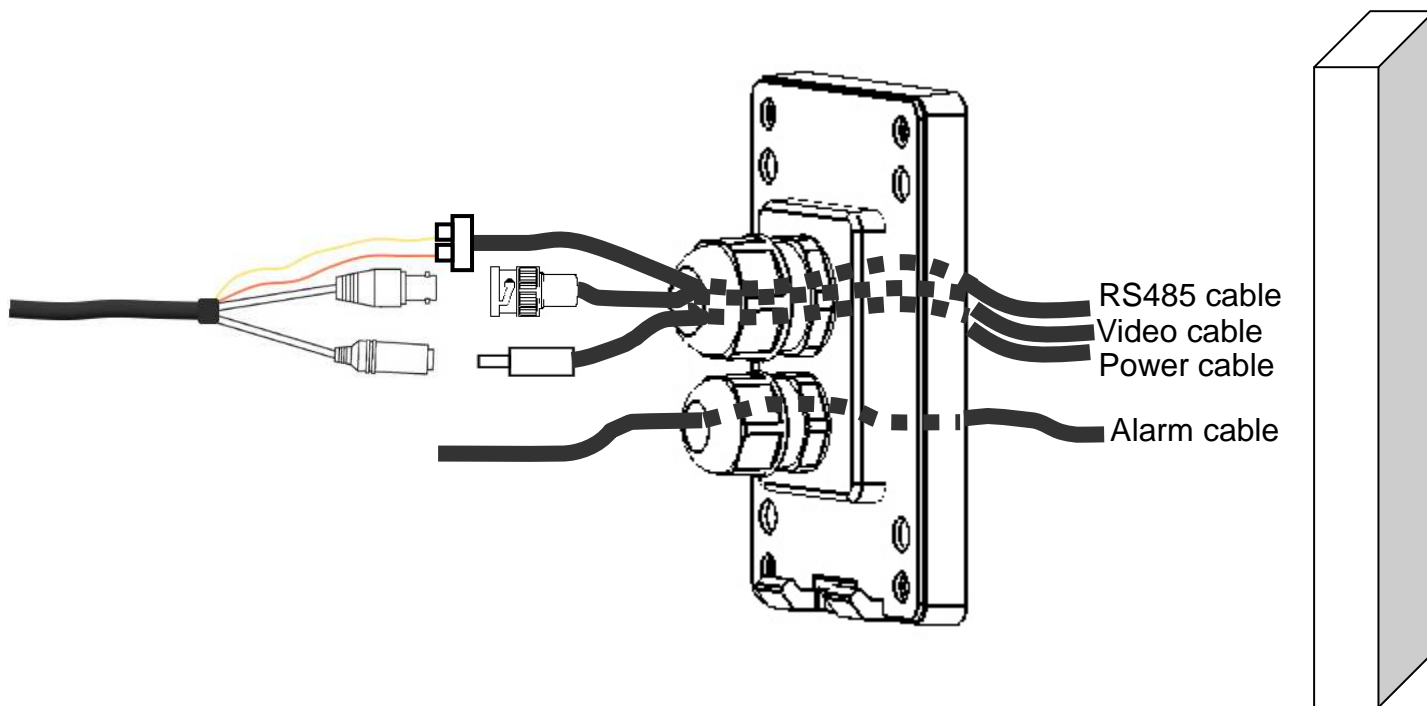
1. Screw the top housing to bracket by using a hexagon wrench.



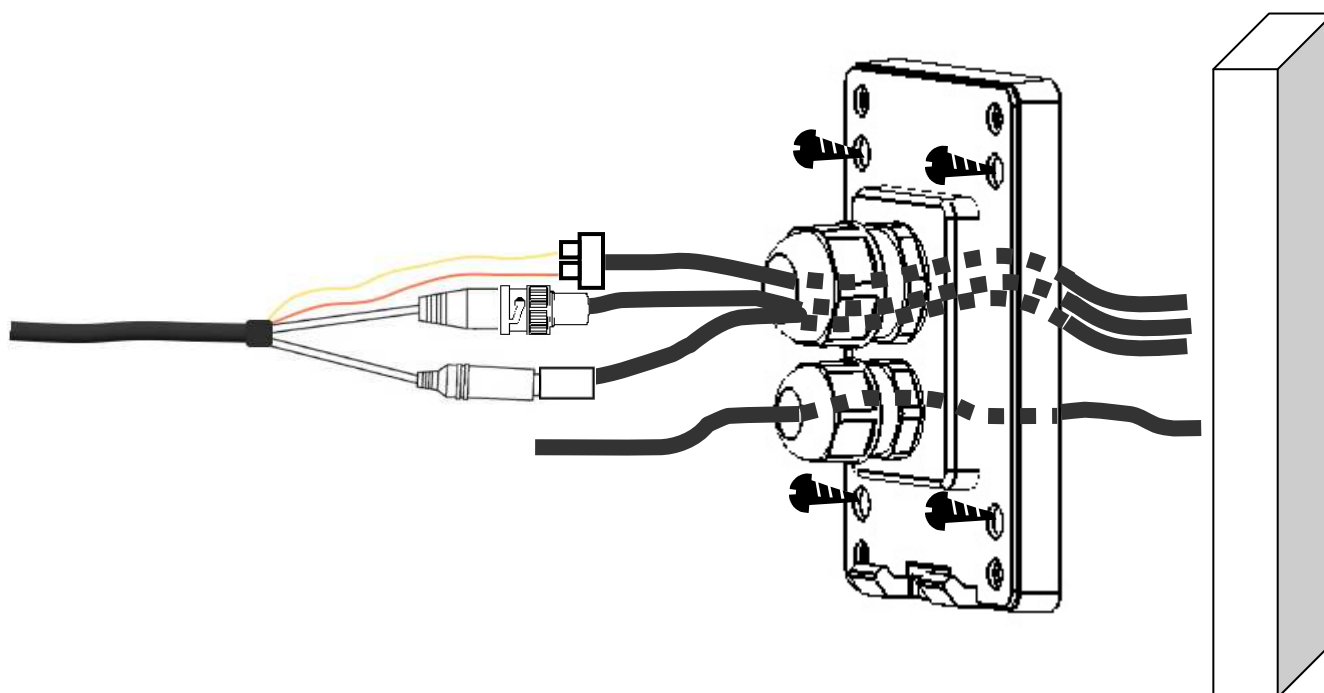
2. Put the waterproof silicon pad on top of the bracket base for waterproof purpose.



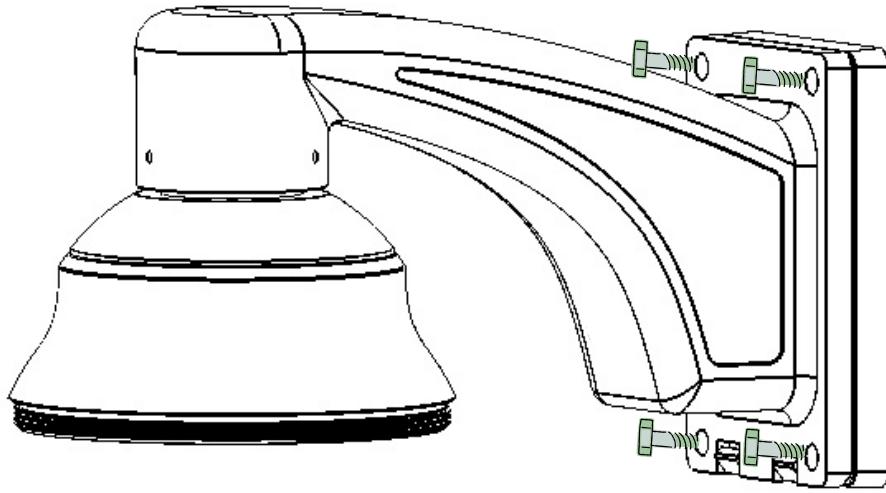
3. Connect the cable you detached from base board to the RS485 cable, Power cable and video cable you thread from the wall or ceiling. RS485 cable has to be connected via a terminal block. If you need to connect alarm cable, thread the alarm cable through the second hole. **Note:** Since video cable and power cable are bare wires, installers have to prepare their own BNC connector and power cord connector.



4. Screw in 4 screws for mounting the bracket base.



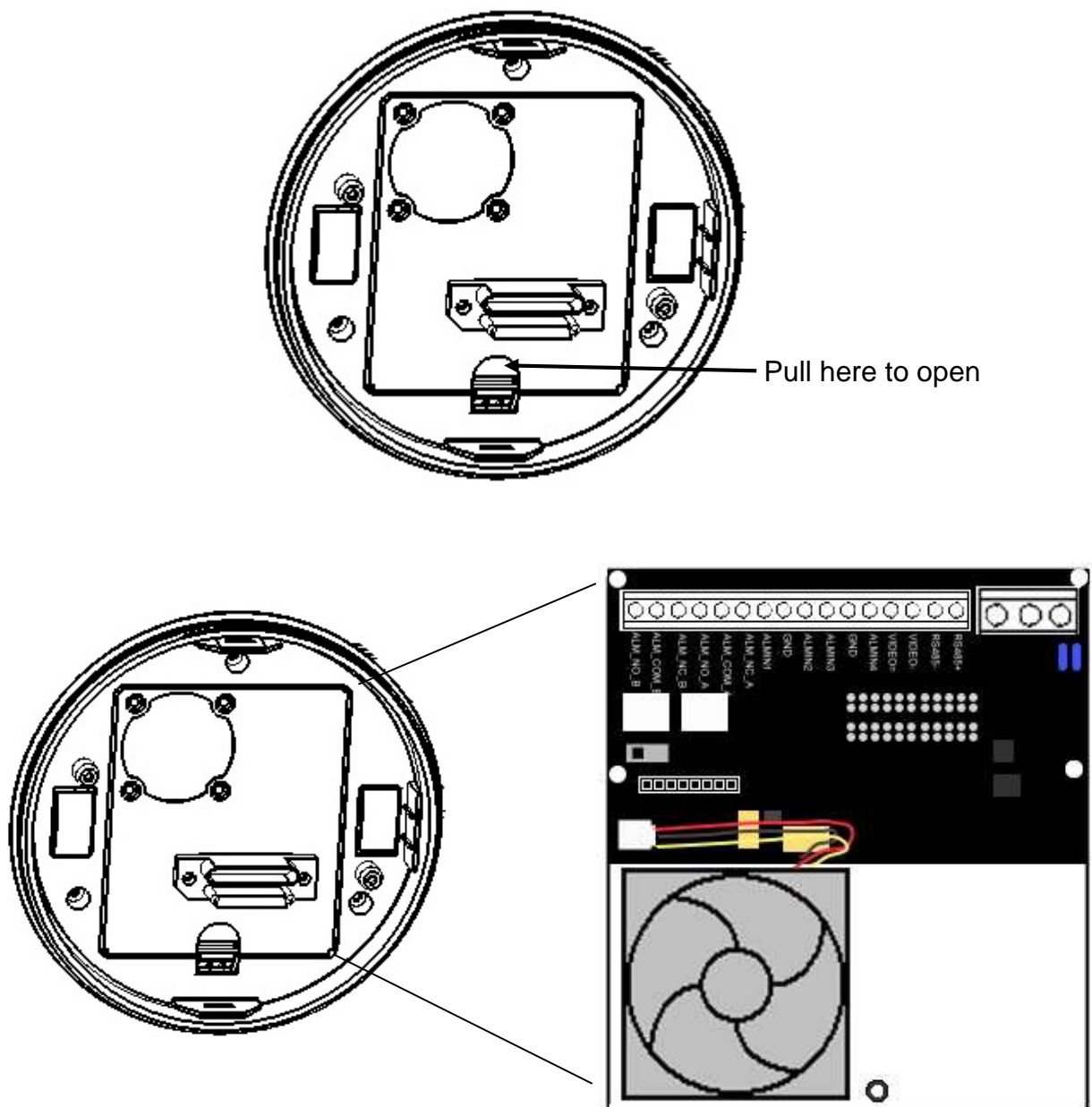
5. Screw in 4 long screws to fix the bracket to bracket base.



2.4.3. EPTZ3100 Dome Camera Wall Mount Installation

Note: Installation location that is a wall, a pole or a ceiling needs to support above five times the total weight of the camera assembly (about 16 kg) to avoid shaken images, and dropping.

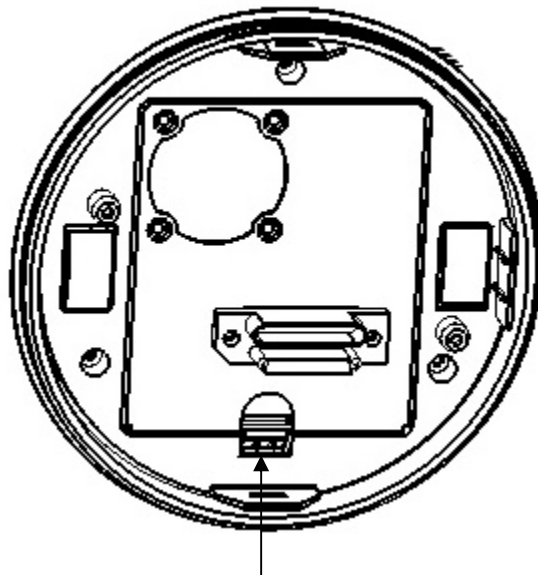
1. Pull the hole of the base board to open it. Detach the power and RS485 wires first by using a screw driver.



2. Apply the adhesive stripe at back of desiccant pack to the inner side of the top housing.
There are totally 3 desiccant packs to be applied.



3. When all the desiccant packs are pasted and alarm cables are connected properly, put the base board back to its original place, you will need to pull open the switch in order to have the base board fitted to the top housing.



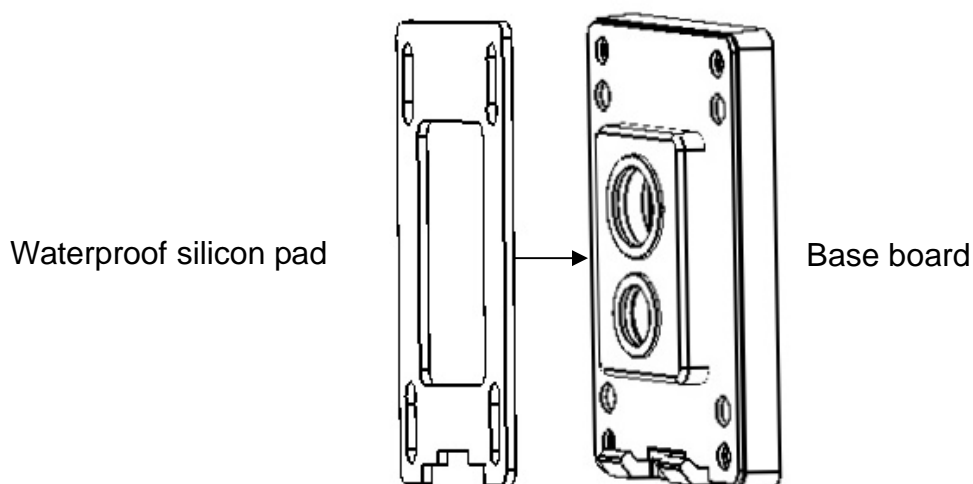
Pull open this switch

Note:

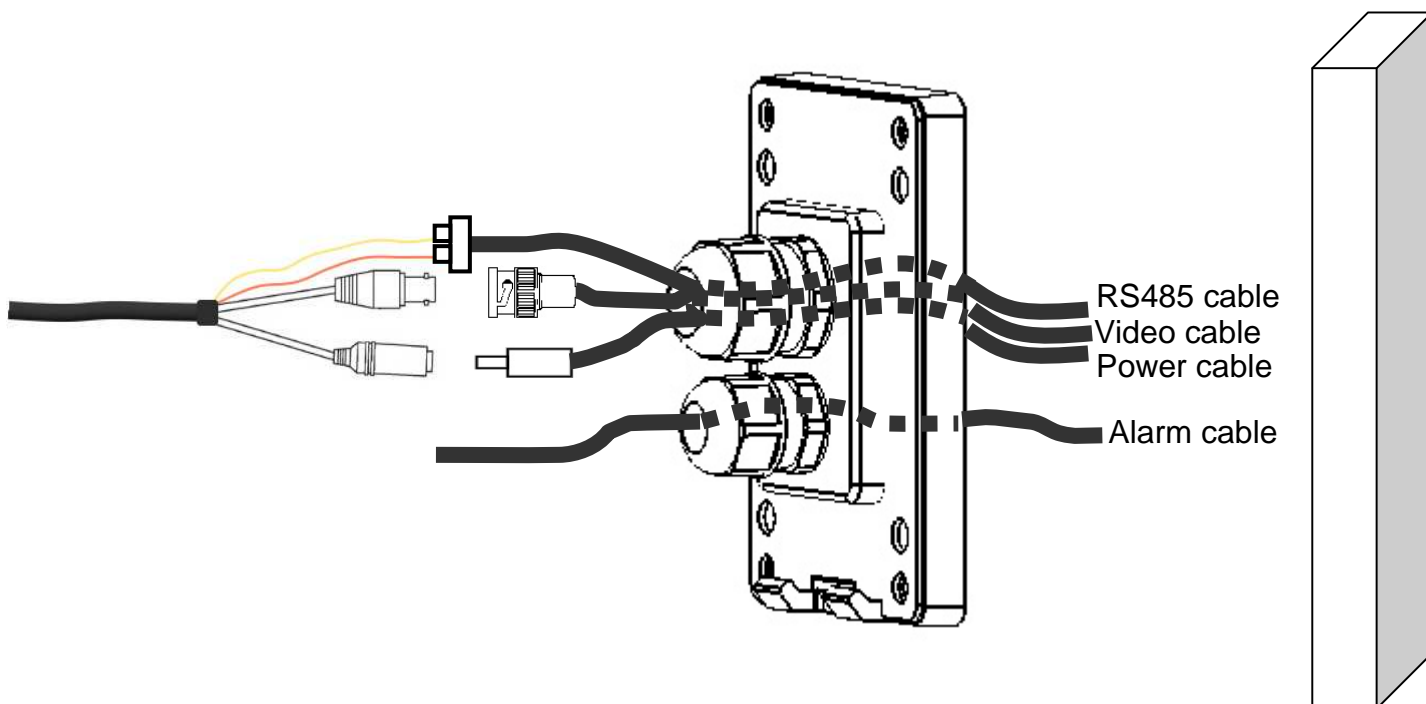
CAUTION!
PUSH TWICE TO LOCK IT UP

To close the base board, please push the base board twice consequently to lock it up.

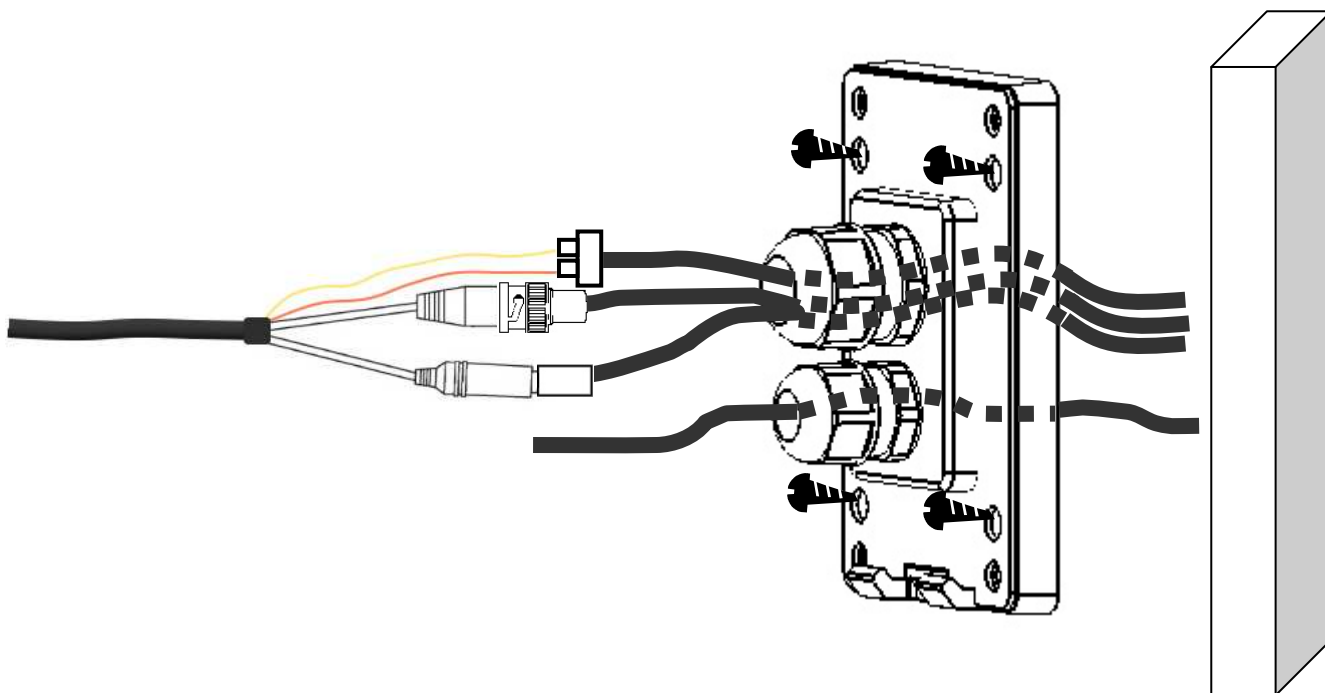
4. Put the waterproof silicon pad on top of the base board for waterproof purpose.



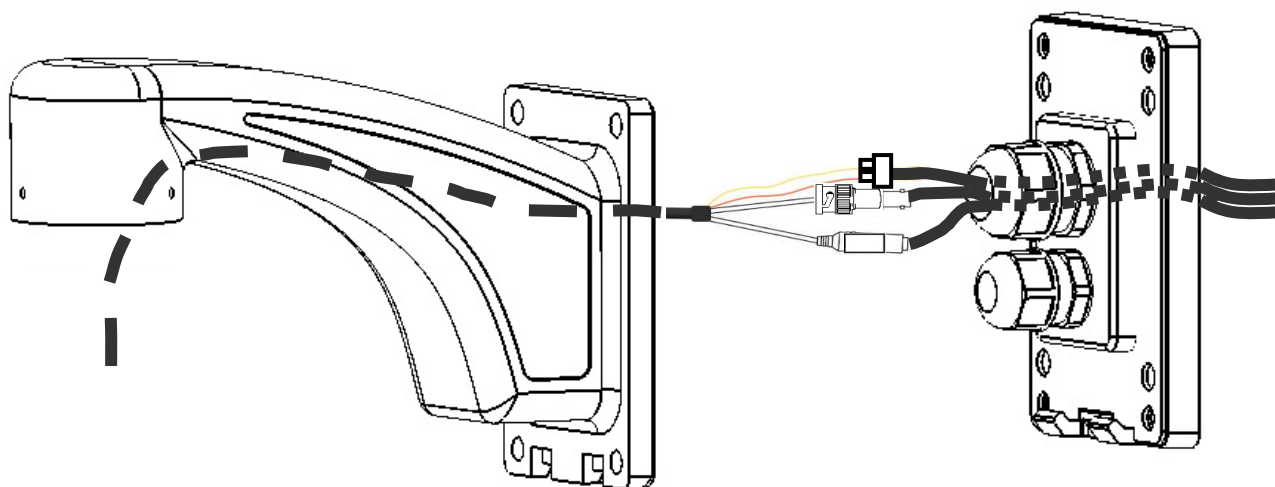
5. Connect the cable you detached from base board to the RS485 cable, Power cable and video cable you thread from the wall or ceiling. RS485 cable has to be connected via a terminal block. If you need to connect alarm cable, thread the alarm cable through the second hole. **Note:** Since video cable and power cable are bare wires, installers have to prepare their own BNC connector and power cord connector.



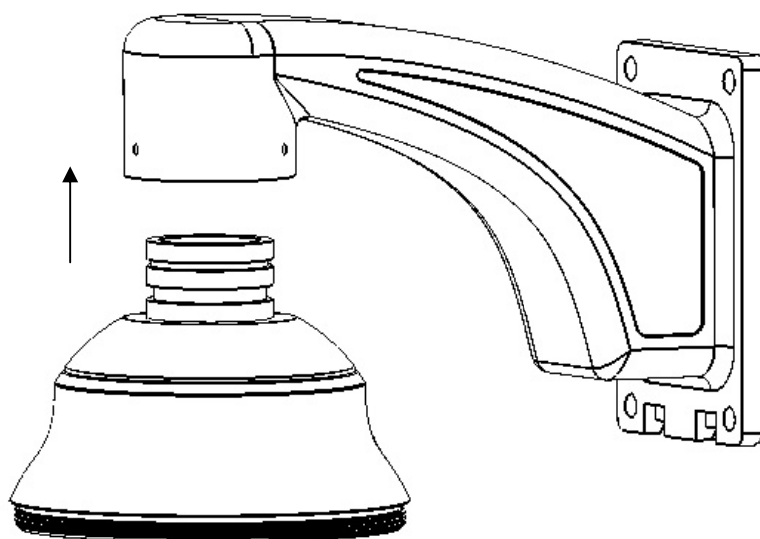
6. Screw in 4 screws for mounting the bracket base.



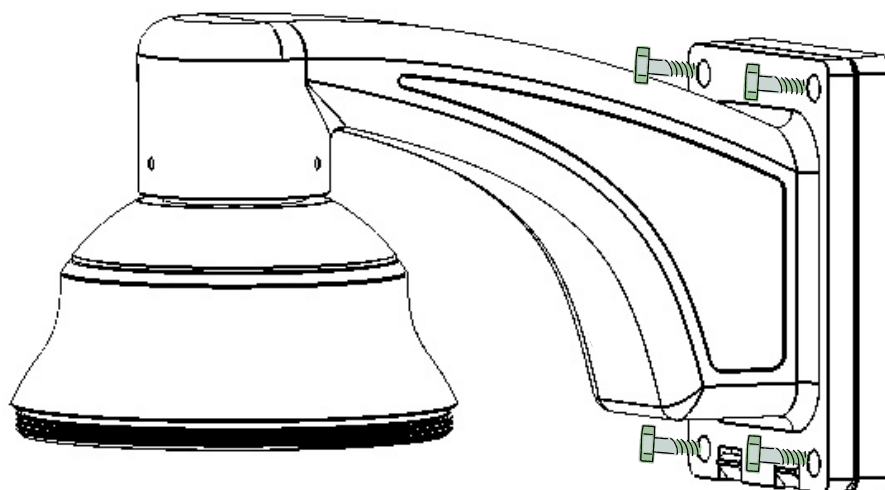
7. Thread the cable through the bracket.



8. Screw the top housing to bracket by using a hexagon wrench.



9. Screw in 4 long screws to fix the bracket to bracket base.



Note 1:



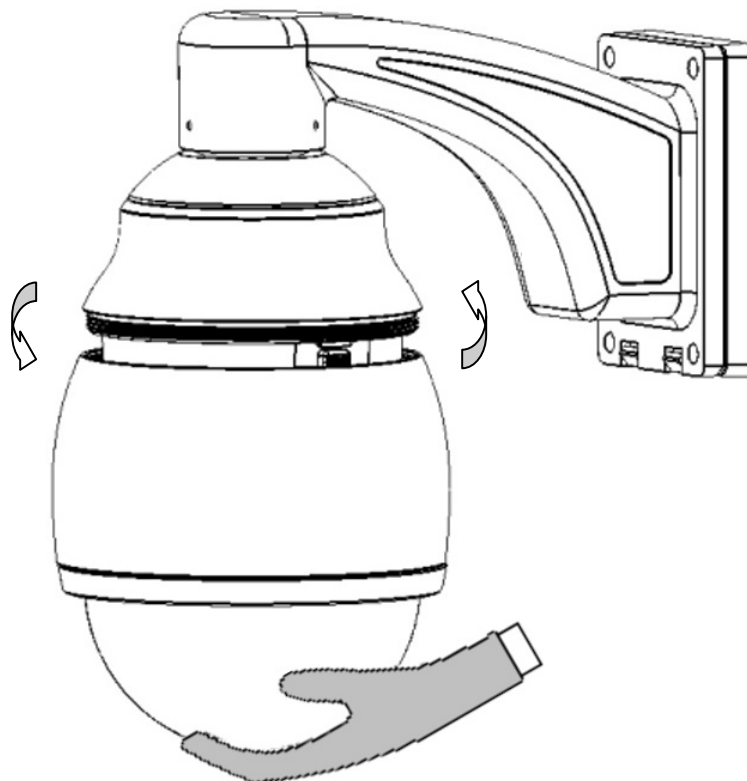
When you push the orange buttons to detach the main body from bracket, please hold the main body carefully, otherwise it may fall down.

Note 2:



Aim the Arrow label of the main body to the same Arrow label of the bracket when you need to push the main body toward bracket.

12. Twist the cover of main body to top housing clockwise until it is firmly fixed to top housing.



Note 1: In order to protect the bubble from dirt and scrape, please put on the gloves before installing the bubble.

Note 2: The camera module on the mechanical part is very sensitive. Please be careful when installing this part.

13. Turn on the power, and start to operate the EPTZ3100.

Note: When turning on the power, EPTZ3100 will enter self-inspection mode, and carry out a self-testing program. After finishing self-inspection, you can start to operate the EPTZ3100.

2.4.4. EPTZ3100 Dome Camera Ceiling Mount Installation

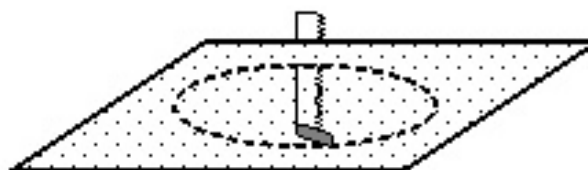


(Indoor Recessed Mount Bracket & Surface Ring)

The indoor recessed mount bracket and surface ring are used for ceiling mount installation.

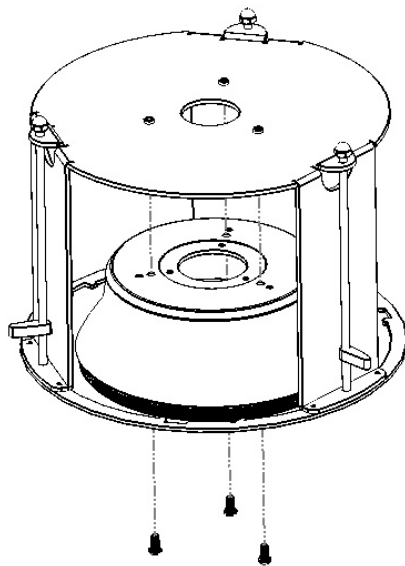
Installation steps are described below:

1. Use the ceiling template provided to cut the ceiling.

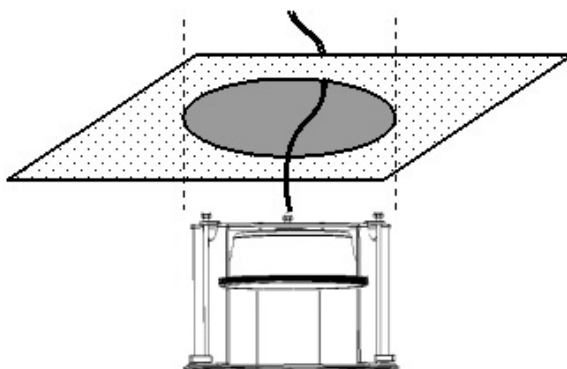


Cut the ceiling

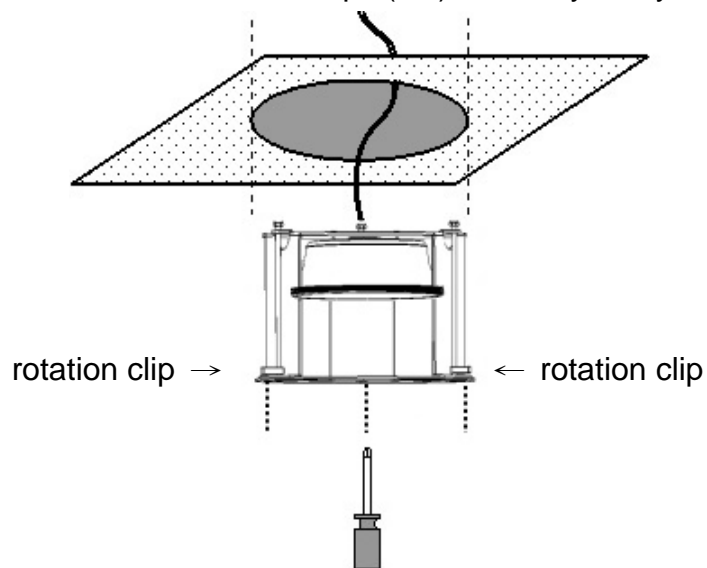
2. Screw the 3 screws of EPTZ top housing to the 3 holes of indoor recessed mount bracket.



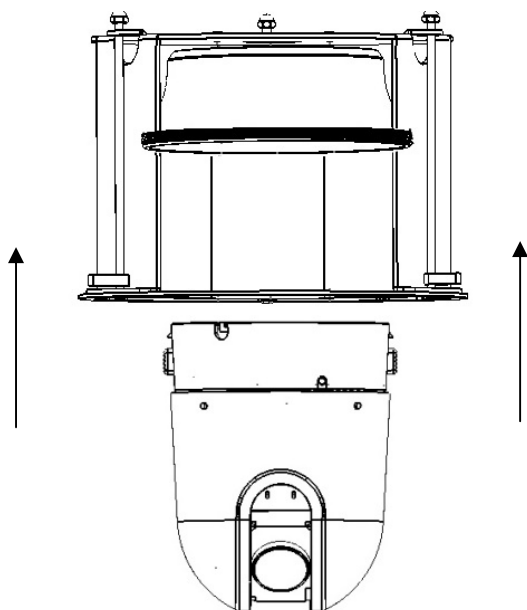
3. Put the indoor recessed mount bracket to the hole that you just made on ceiling.



4. Use a screwdriver to turn the rotation clips (x 3) until they firmly fix to the ceiling.



5. Snap main body to the indoor recessed mount bracket.

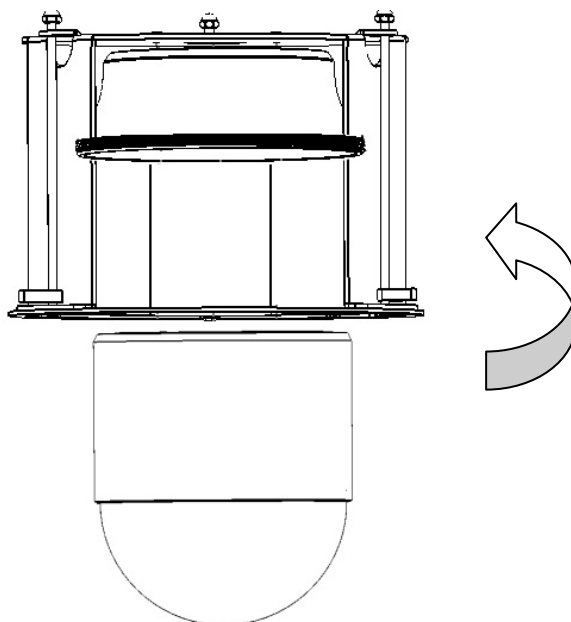


NOTE:

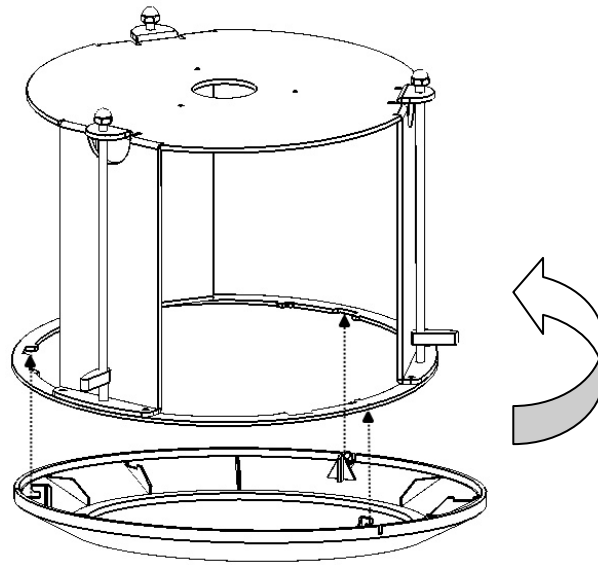


Aim the Arrow label of the main body to the same Arrow label of the bracket when you need to push the main body toward bracket.

6. Turn the housing of speed dome until it fixes to the top housing.



7. Aim bracket's fillister to surface ring's fillister, turn it until it is firmly fixed.



2.5. Bracket and Adapter

2.5.1. Indoor Ceiling Pendent Mount Bracket



The indoor ceiling pendent mount bracket is used for installing a speed dome on the ceiling.

2.5.2. Pole Mount Adapter



The pole adapter is used for installing a wall mount bracket to a pole indoors or outdoors.

2.5.3. Corner Mount Adapter



The corner mount is used for installing a wall mount bracket to a 270° corner of walls indoors or outdoors.

2.5.4. Indoor Concrete Ceiling Mount Adapter



Indoor Concrete Ceiling Mount Adapter is used for indoor installation to concrete ceiling.

3. EPTZ3100/EPTZ3100I CAMERA SETUP MENU

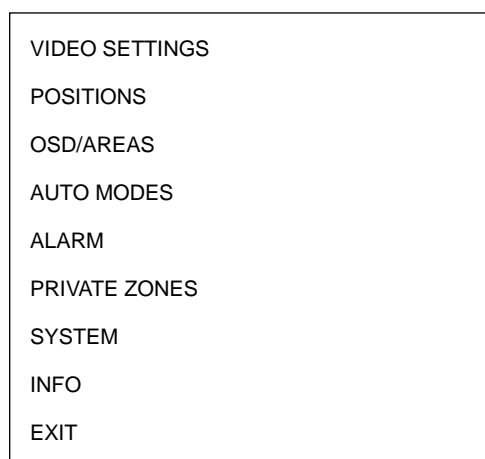
In this section, setup and operation guide of EPTZ3100/EPTZ3100I will be introduced.

There are 9 items of the setting menu.

3.1. Structure of the Setup Menu

Press **MENU** to enter camera setup menu.

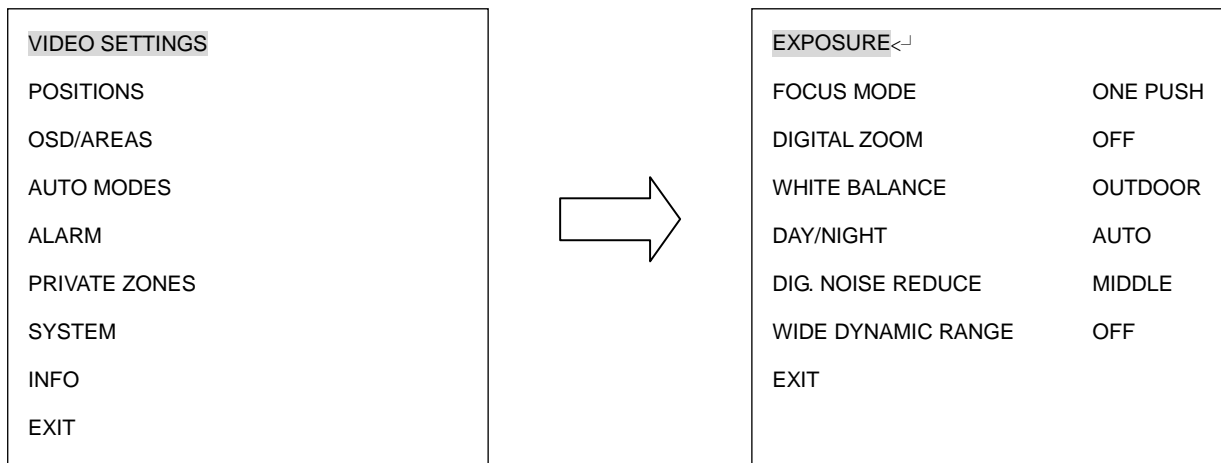
Turn the Joystick up/down to change subentries, and right/left to change the setting. If there is an arrow at the end of selection, it means that selection has a sub-menu, please press **Enter** key of keyboard to enter sub-menu.



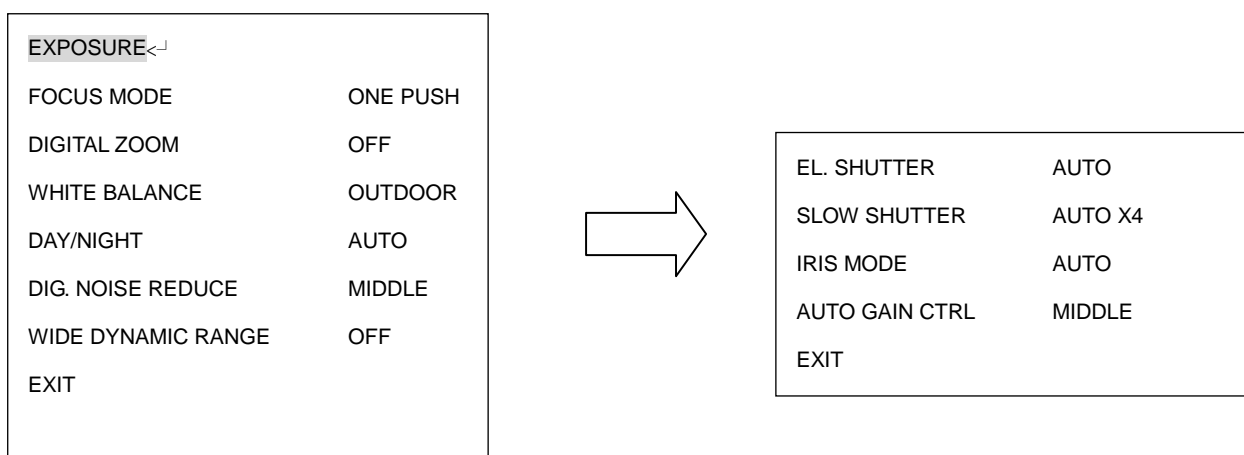
(diagram 3.1)

3.2. VIDEO SETTINGS

In main menu, turn joystick Up / Down to select VIDEO SETTINGS. Turn joystick Left / Right to enter VIDEO SETTINGS sub-menu (see diagram 3.2).



(diagram 3.2)



(diagram 3.3)

3.2.1. EXPOSURE

In Exposure menu, there is a sub-menu. Press **Enter** key or turn joystick Left / Right to enter Exposure sub-menu.

There are 4 options in Exposure: EL. SHUTTER, SLOW SHUTTER, IRIS MODE, and AUTO GAIN CTRL.

EL.SHUTTER: Select electronic shutter mode from the options of the menu. There are AUTO, A.FLK , 1/50, 1/160 , 1/250 , 1/1000 , 1/2500, 1/10000, 1/120,000, X2, X4, X6 and X8.

AUTO: The AUTO electronic shutter mode is enabled. The shutter speed is controlled automatically according to the brightness of the screen

A.FLK: Anti-Flicker. Camera will auto adjust the shutter to reduce the flicker caused by fluorescent light.

1/60 (NTSC) and 1/50 (PAL): default auto shutter.

1/160: 1/160 sec shutter for NTSC and PAL

1/250: 1/250 sec shutter for NTSC and PAL

1/1000: 1/1000 sec shutter for NTSC and PAL

1/2500: 1/2500 sec shutter for NTSC and PAL

1/10000: 1/10000 sec shutter for NTSC and PAL

1/120000: 1/120000 sec shutter for NTSC and PAL

X2: Two times of the standard shutter. The standard shutter is 1/60 sec for NTSC and 1/50 sec for PAL

X4: Four times of the standard shutter.

X6: Six times of the standard shutter.

X8: Eight times of the standard shutter.

SLOW SHUTTER: Slow electronic shutter. In order to enhance the view in the low lux environment, slow shutter allows more light go through the shutter. Select from OFF, AUTO X4, AUTO X8, AUTO X12, AUTO X16, AUTO X32, AUTO X64, and AUTO X128.
OFF: Disable Slow Shutter function.

AUTO X4: The slow shutter is automatically adjusted by the camera and limited up to four times of the standard shutter. The standard shutter is 1/60 sec for NTSC and 1/50

sec for PAL.

AUTO X8, AUTO X12, AUTO X16, AUTO X32, AUTO X64, and AUTO X128 work the same as AUTO X4 with different times of shutter speeds.

NOTE: If EL. SHUTTER is selected, SLOW SHUTTER will be disabled.

IRIS MODE: AUTO mode or MANUAL mode can be selected.

MANUAL: The brightness of the image can be adjusted.

AUTO: The brightness of the image signal can be adjusted automatically depending on the amount of light.

AUTO GAIN CTRL (AGC): When the brightness of the image taken under dark light is under a certain level, the AGC functions to define whether to control the Gain automatically or not. Select one mode from OFF, LOW, MIDDLE, HIGH.

EXIT: Select Exit to save settings and exit from current page.

3.2.2. FOCUS MODE

In Focus mode, we define focus type from **ONE PUSH**, **AUTO** and **Manual**.

ONE PUSH: Enable the one push trigger focus mode. The focus lens holds the same position until the next trigger command is received. This function prevents the wrong focus in dark.

AUTO: Auto focus is enabled. It automatically adjusts the focus position to maximize the high frequency content of the picture in a center measurement area, taking into consideration the high luminance and strong contrast components.

MANUAL: Enable the manual focus mode.

3.2.3. DIGITAL ZOOM

Magnification of the digital zoom can be selected among OFF, 2X, 4X and 8X.

OFF: Disable the digital zoom function.

3.2.4. WHITE BALANCE

The white balance function corrects the abnormal white color into the normal white color under any color temperature lighting. White Balance has the following modes:

OUTDOOR: This mode is an automatic mode. It is recommended to use this mode in an area under a broad color temperature.

INDOOR: This mode is an automatic mode. The camera balances the color automatically depending on the source of the light from 1800 to 10500K. It is recommended to use this mode in an area under the limited color temperature.

ONE PUSH: One Push Auto White Balance Mode.

MAN2000K: This mode is a manual mode. The color temperature will be fixed at 2000K.

MAN3200K: This mode is a manual mode. The color temperature will be fixed at 3200K.

MAN5100K: This mode is a manual mode. The color temperature will be fixed at 5100K.

3.2.5. DAY/NIGHT

In Day/Night, we define the ICR (IR Cut-Removable) mode settings. The camera is built-in an infrared (IR) Cut-Filter which can be disengaged from the image path for

increased sensitivity in low light environments.

Select from **AUTO**, **DAY** and **NIGHT**

NIGHT: IR cut filter is always removed (ICR ON).

DAY: IR cut filter is always attached (ICR OFF).

AUTO: Auto Day/Night mode switch. The camera will automatically switch the settings needed for attaching or removing the IR cut filter. With a set level of darkness, the IR cut filter is automatically disabled (ICR ON), and the infrared sensitivity is increased. With a set level of brightness, the IR cut filter is automatically enabled (ICR OFF).

3.2.6. DIG. NOISE REDUCE

DIGITAL NOISE REDUCE (DNR) function reduces background noise under low light conditions differently in different modes. The noise reduction effect grows in OFF, LOW, MIDDLE and HIGH modes in order.

OFF: No noise reduction effect.

LOW: Noise reduction effect is small but there is little afterimage.

MIDDLE: Noise reduction effect is generally effective in this mode. Noise can be reduced properly and the afterimage is not strong.

HIGH: Noise reduction effect is excellent but afterimage is also strong.

3.2.7. WIDE DYNAMIC RANGE

This function is effective when shooting images against the sun, or when shooting a very bright subject. When both, bright and dark areas exist, the objects of the two areas can be seen clearly. In Wide Dynamic Range, we define wide dynamic range from **LOW**, **MIDDLE**, **HIGH** and **OFF**.

OFF: Disable wide dynamic range.

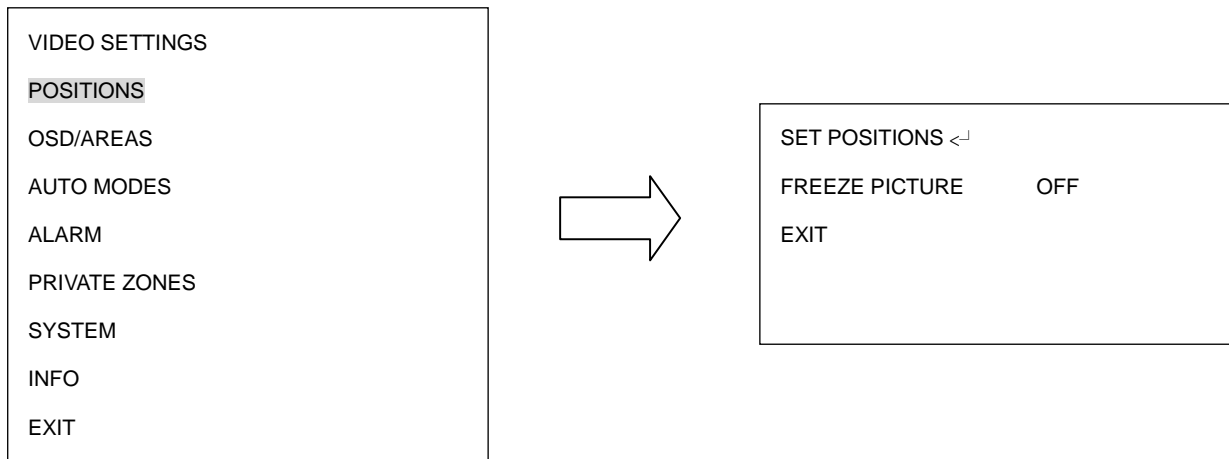
Notice: When the wide dynamic range is ON, some part of the image may appear solarized. This is normal for the wide dynamic range, and is not a camera malfunction.

3.2.8. EXIT

Select Exit to save settings and exit from current page.

3.3. POSITIONS

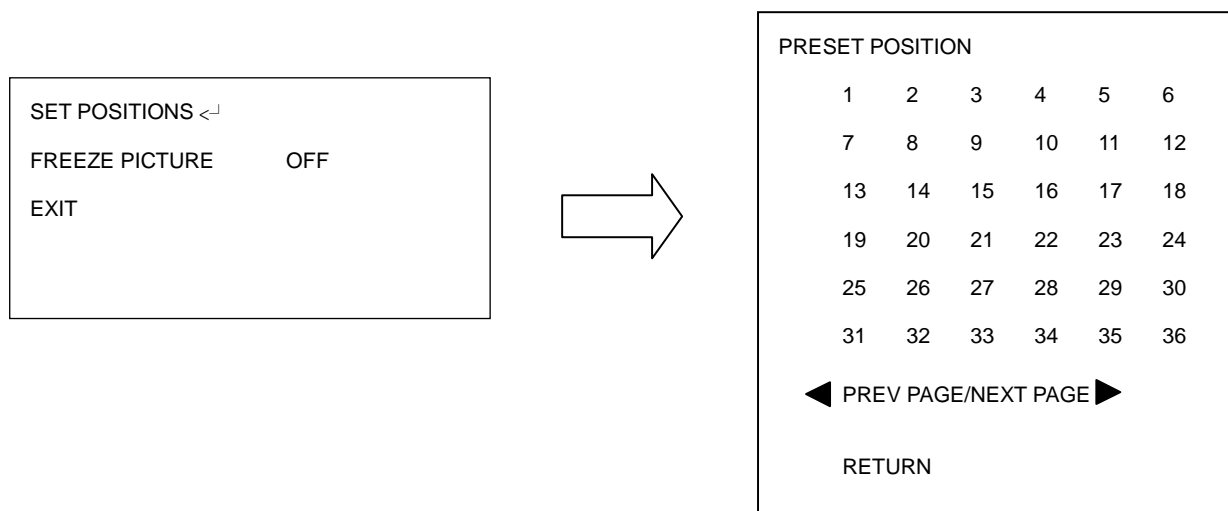
In main menu, turn joystick Up or Down to select POSITION option. Press **Enter** key or turn joystick Left / Right to enter POSITION sub-menu (see diagram 3.4).



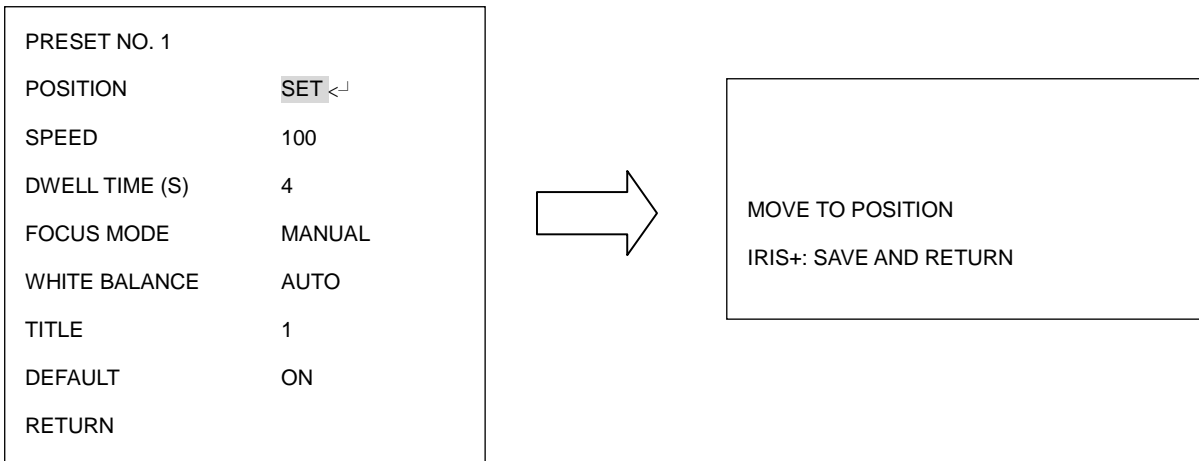
(diagram 3.4)

Press **Enter** key of keyboard to enter SET POSITIONS sub-menu.

Turn the joystick Left / Right to select preset position. There are totally 36 preset positions can be set in one page. Once the preset position is selected, there will be a star (*) sign beside preset number, then go to RETURN and turn the joystick Left / Right to exit from current page.



(diagram 3.5)



(diagram 3.6)

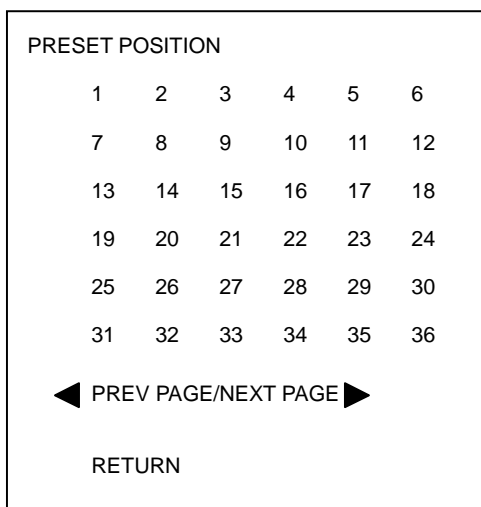
POSITION: Select from SET and CLEAR.

SET: Select SET and press **Enter** key of keyboard, you will be entered to a sub-menu.

Turn the joystick to your desired position. Once the position is confirmed, press **IRIS+** key of keyboard to save setting and return to previous menu. If position is set, there will be a star sign (*) beside position number.

Clear: Select Clear and press **Enter** key of keyboard, and the POSITION will be cleared.

You will automatically go back to the sub-menu of PRESET POSITION. Please see diagram 3.7.



(diagram 3.7)

SPEED: Select the speed for the preset position. The value is from 1 to 255 and 255 is the highest speed.

DWELL TIME (S): Select the dwell time (in second) for the preset position from 1 to 99.

FOCUS MODE: Select focus mode for the preset position from MANUAL, ONE PUSH and AUTO.

WHITE BALANCE: Select the white balance for the preset position from Auto, Indoor and outdoor.

TITLE: Enter title name for the preset position. Turn the joystick Up or Down to select the character. Turn the joystick Left or Right to select the character position. Once the title is inputted, turn the joystick to the last character and keep turning right again to return to previous mode.

DEFAULT: Select ON to set the preset position to default value.

FREEZE PICTURE: Speed dome will stop at the previous position until the next position is reached.

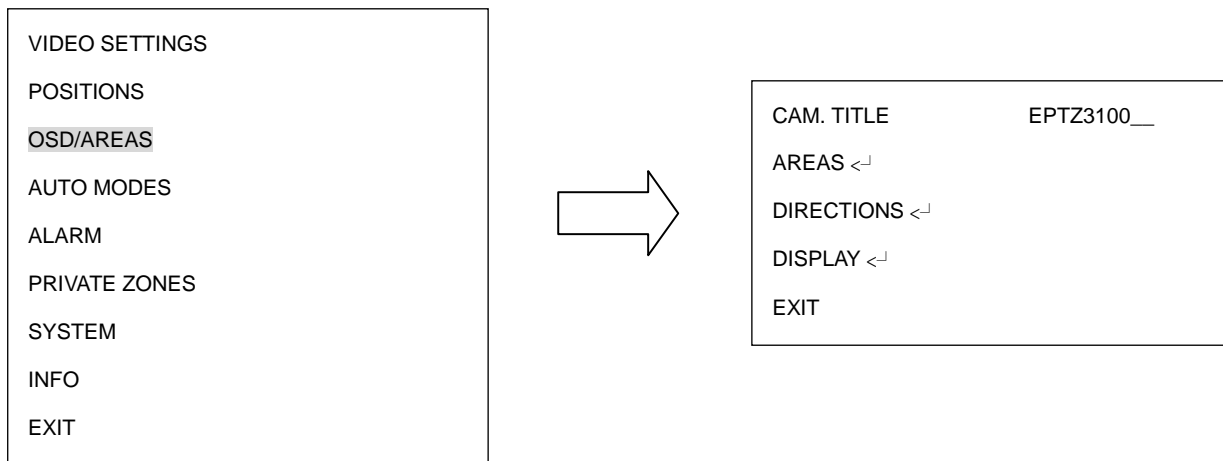
ON: freeze picture

OFF: disable freeze picture function.

EXIT: Select Exit to save settings and exit from current page.

3.4. OSD/AREAS

In main menu, turn joystick Up or Down to select OSD/AREAS. Turn joystick Left or Right to enter OSD/AREAS sub-menu (see diagram 3.8)



(diagram 3.8)

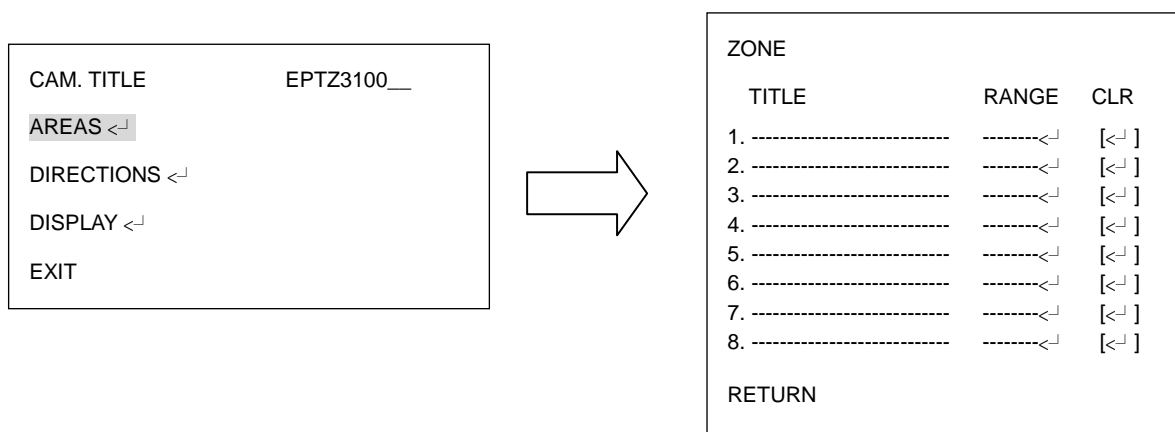
3.4.1. CAM. TITLE

Enter title name for the camera. Turn the joystick Up or Down to select the character.

Maximum 10 digits of character can be inputted. Turn the joystick Left or Right to select the character position. Once the title is inputted, turn the joystick to the last character and keep turning right again to return to previous mode.

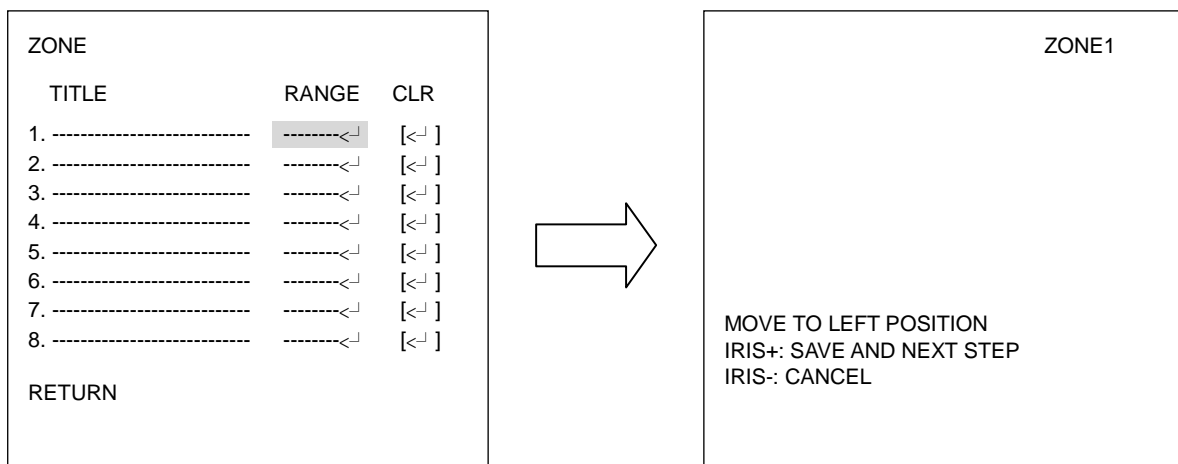
3.4.2. AREAS

Press **Enter** key of keyboard or turn joystick Left/Right to enter AREAS sub-menu.



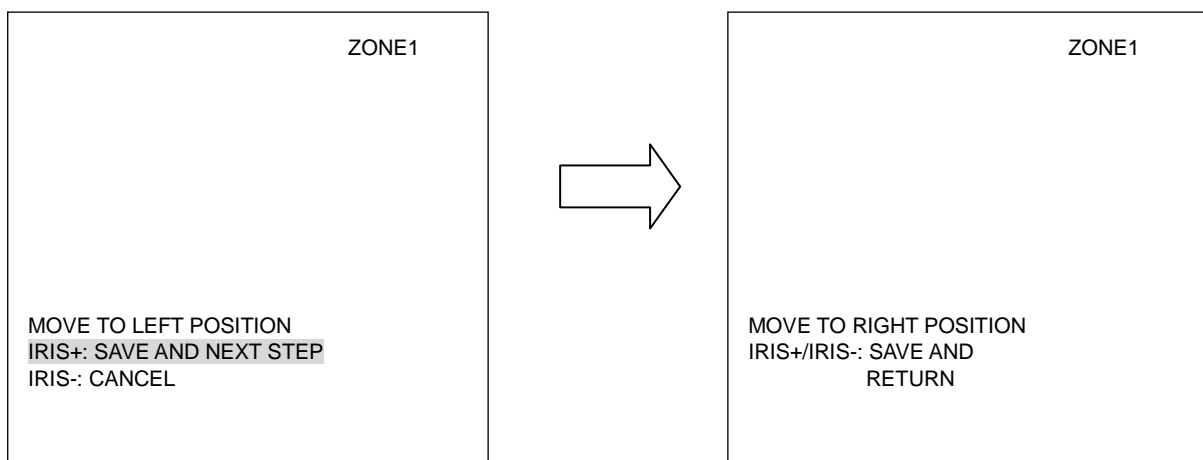
(diagram 3.9)

In zone menu, you can set a zone and name it, when the speed dome turns to the zone you set, it will display zone name on the screen (only if "OSD/AREAS->Display -> Zone" is set as "YES"). Turn the joystick to Up/Down to select the character. Turn the joystick Left or Right to select the character position. Once the title is inputted, turn the joystick Left/Right to go "Range" section, and press Enter key to enter Range sub-menu. Use the joystick to move speed dome to its left position. Press **IRIS+** key to save left position setting and go to next step or press **IRIS-** to cancel.



(diagram 3.10)

Use the joystick to move speed dome to its right position. Press **IRIS+** or **IRIS-** key to save and return.

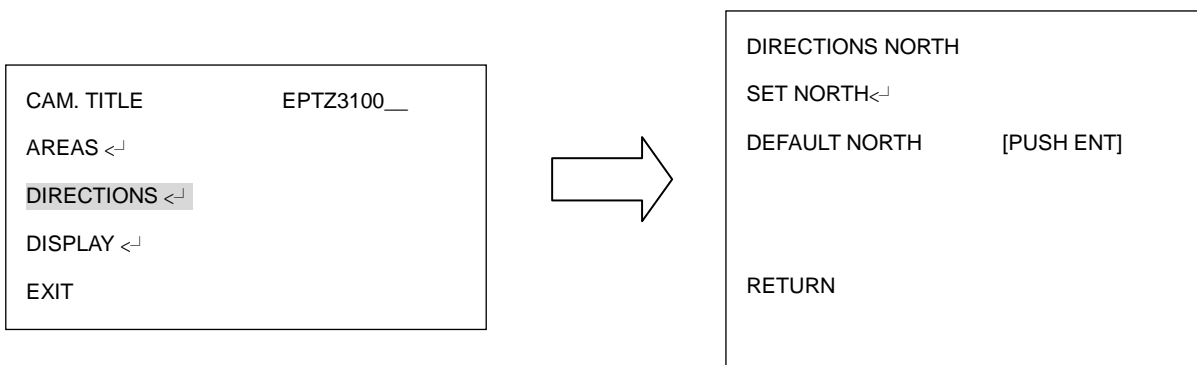


(diagram 3.11)

Turn joystick Right/Left to highlight the zone you have set and turn the joystick Up/Down to select another zone number. If you wish to clear the zone you have set, go to “CLR” and press Enter key.

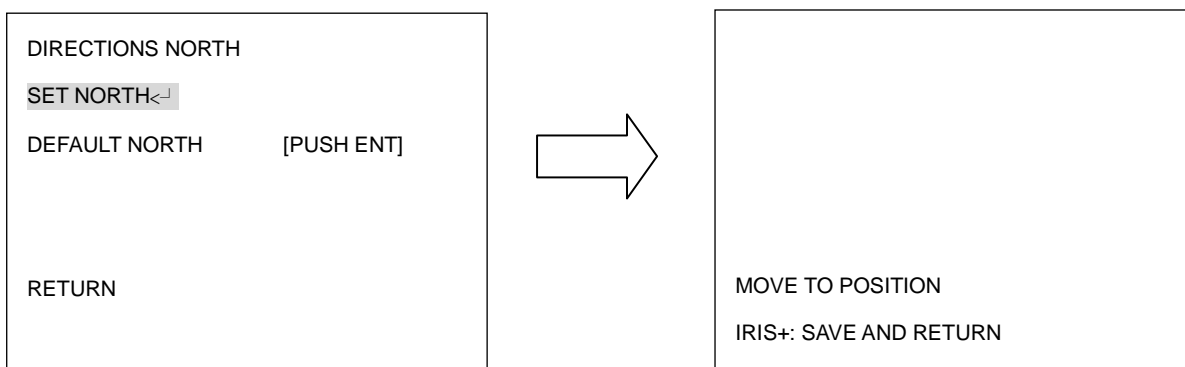
3.4.3. DIRECTIONS

Press **Enter** key of keyboard or turn joystick Left/Right to enter DIRECTIONS sub-menu (see diagram 3.12)



(diagram 3.12)

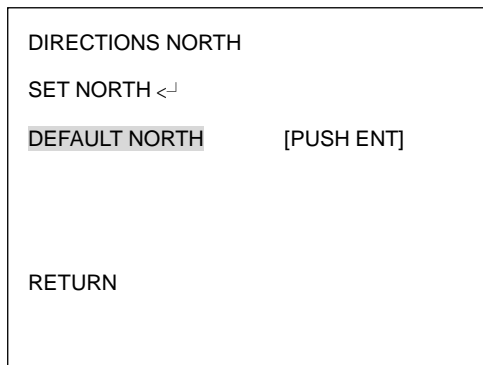
Press **Enter** key of keyboard or turn joystick Left/Right to enter DIRECTIONS sub-menu (see diagram 3.13)



(diagram 3.13)

1. Press **Enter** key of keyboard or turn joystick Left/Right to enter Set North position menu.
2. Move the joystick to North position.

3. Press IRIS+ key of keyboard to save and return.



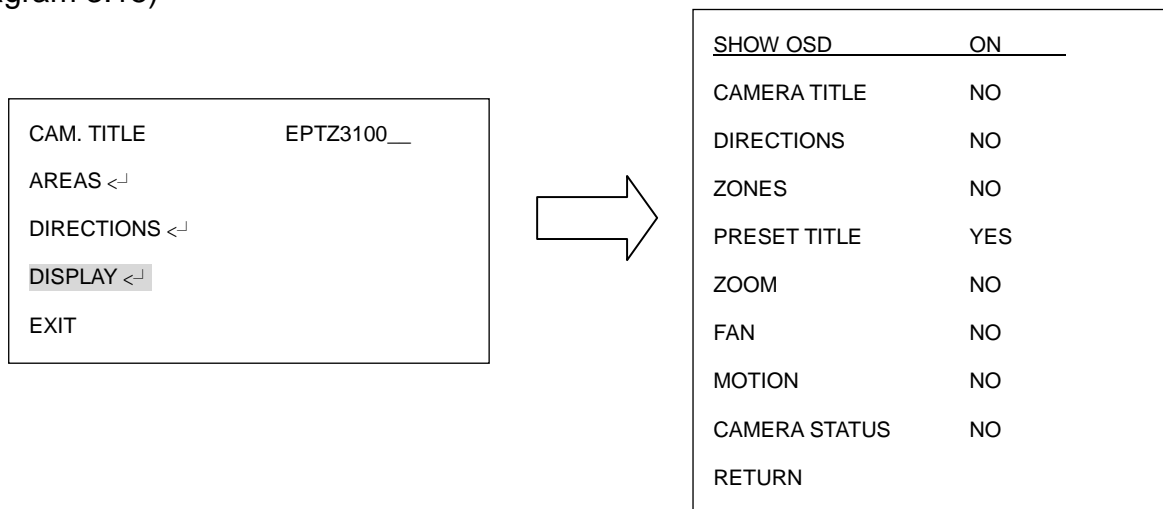
(diagram 3.14)

4. Go to “DEFAULT NORTH” and press Enter key to set the north position as default north position.

5. Go to Return and turn joystick Left/Right to return to previous menu.

3.4.4. DISPLAY

Press **Enter** key of keyboard or turn joystick Left/Right to enter DISPLAY sub-menu (see diagram 3.15)



(diagram 3.15)

1. SHOW OSD:

ON: show OSD of Camera Title, Directions, Zones, Preset Title, Motion, Zoom, Fan and Camera Status.

OFF: do not show OSD.

2 SEC: show OSD for 2 seconds.

5 SEC: show OSD for 5 seconds.

10 SEC: show OSD for 10 seconds.

2. CAMERA TITLE

YES: show camera title

NO: do not show camera title

3. DIRECTIONS

YES: show directions

NO: do not show directions

4. ZONES

YES: show zones

NO: do not show zones

5. PRESET TITLE

YES: show preset title

NO: do not show preset title

6. ZOOM

YES: show zoom multiple when zoom in or zoom out.

NO: do not show zoom multiple.

7. FAN

YES: show fan indication when fan is enabled.

NO: do not show fan indication.

8. MOTION

YES: show motion message when a motion occurs.

NO: do not show motion message when a motion occurs.

9. CAMERA STATUS

YES: shows camera status

NO: do not show camera status

10. RETURN

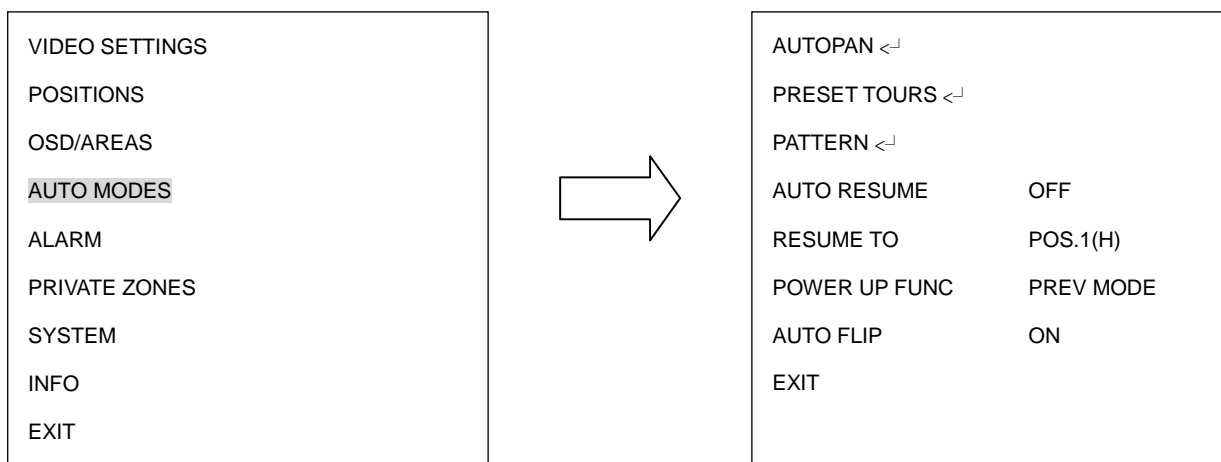
Turn joystick Left/Right to return to previous menu

3.4.5. EXIT

Select Exit to save settings and exit from current page.

3.5. AUTO MODES

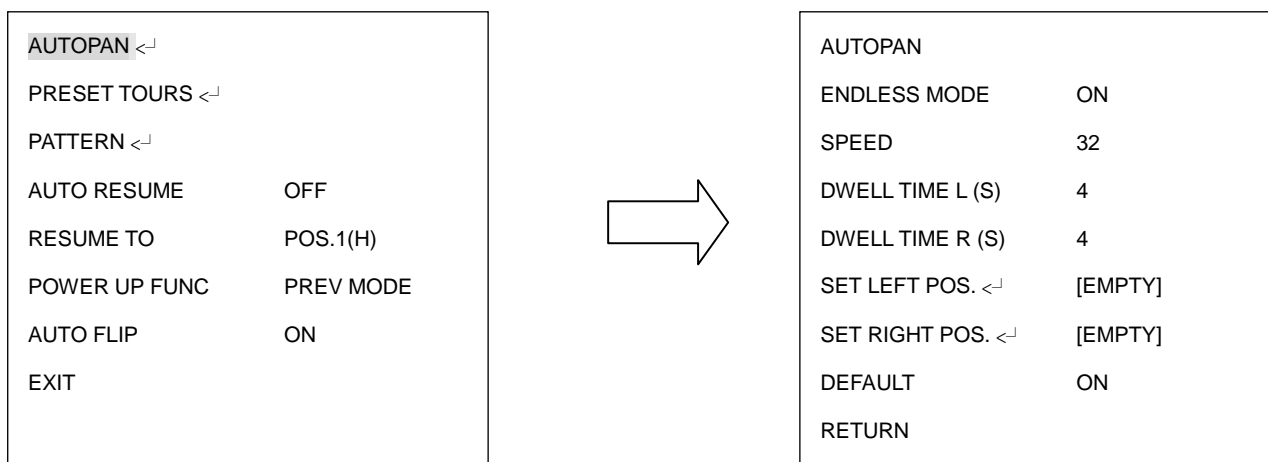
In main menu, turn joystick Up/Down to select AUTO MODES. Turn joystick Left/Right to enter AUTO MODES sub-menu (See diagram 3.16)



(diagram 3.16)

3.5.1. AUTOPAN

Press **Enter** key of keyboard or turn joystick Left/Right to enter AUTOPAN sub-menu (see diagram 3.17)



(diagram 3.17)

a. ENDLESS MODE

ON: enable endless mode. The speed dome will perform 360 degree endless auto-pan.

OFF: disable endless mode. The speed dome will perform auto-pan between position left and position right.

b. SPEED

Select speed from 1~255 and 255 is the highest speed.

c. DWELL TIME L (S)

Select dwell time of the left position from 1~99 seconds.

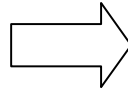
d. DWELL TIME R (S)

Select dwell time of the right position from 1~99 seconds

e. SET LEFT POS.

Press Enter key or turn the joystick Left/Right to enter SET LEFT POS. menu. Turn the joystick to the position where you wish to set Left position. Press **IRIS+** key of keyboard to save setting and return to previous menu. (see diagram 3.18)

AUTOPAN	
ENDLESS MODE	ON
SPEED	32
DWELL TIME L (S)	4
DWELL TIME R (S)	4
SET LEFT POS. <↵	
SET RIGHT POS. <↵	
DEFAULT	ON
IRIS-: RETURN	



MOVE TO POSITION
IRIS+: SAVE AND RETURN

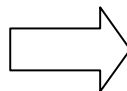
(diagram 3.18)

f. SET RIGHT POS.

Press Enter key or turn the joystick Left/Right to enter SET RIGHT POS. menu. Turn the joystick to the position where you wish to set RIGHT position. Press **IRIS+** key of keyboard to save setting and return to previous menu. (see diagram 3.19)

Note: When Left/Right Position are set, the speed dome will patrol from left position to right position clockwise.

AUTOPAN	
ENDLESS MODE	ON
SPEED	32
DWELL TIME L (S)	4
DWELL TIME R (S)	4
SET LEFT POS. <↵	
SET RIGHT POS. <↵	
DEFAULT	ON
IRIS-: RETURN	



MOVE TO POSITION
IRIS+: SAVE AND RETURN

(diagram 3.19)

g. DEFAULT

ON: all settings in AUTOPAN menu will be returned to default values.

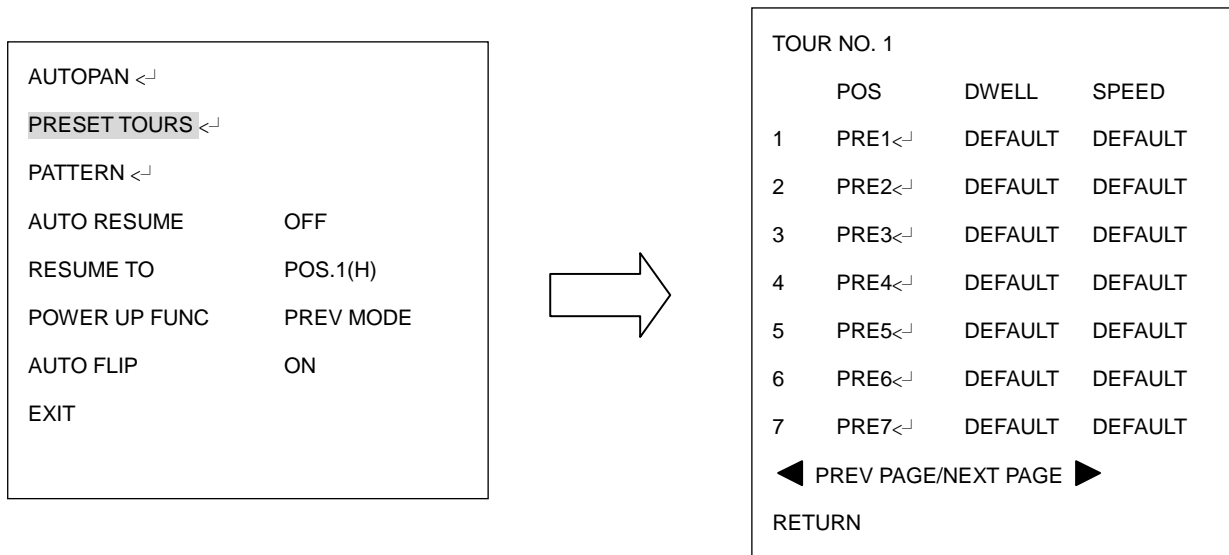
OFF: the setting in AUTOPAN menu is not default value.

h. RETURN

Turn joystick Left/Right to return to previous menu

3.5.2. PRESET TOURS

Press Enter key or turn the joystick Left/Right to enter PRESET TOURS sub-menu (see diagram 3.20)



(diagram 3.20)

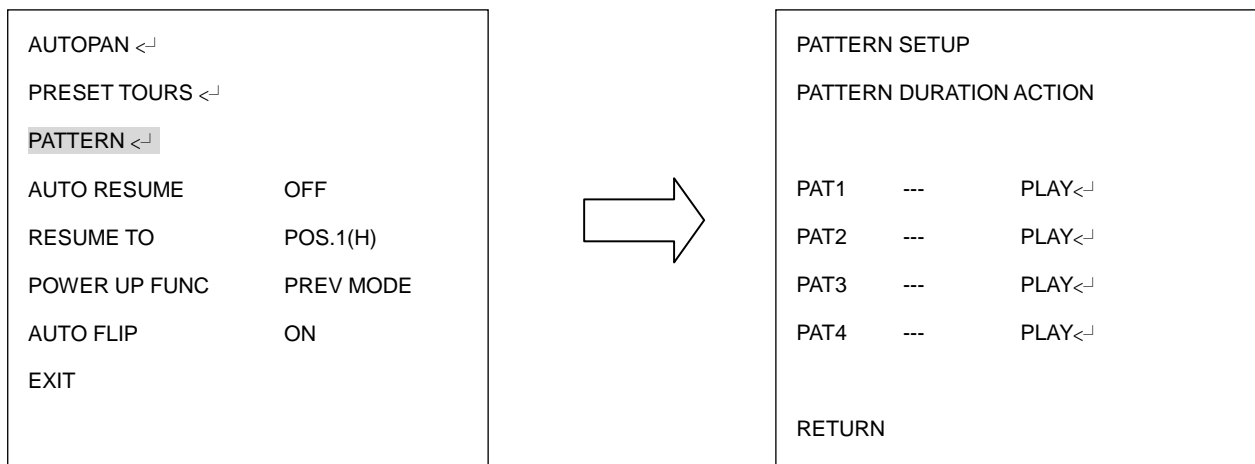
- Tour NO.: Turn the joystick Left/Right to select tour number first
- PRE: Turn the joystick Left/Right to select preset position. Press **Enter** key of keyboard to go next setting. Max. 16 positions can be set for a tour.
- DWELL: Turn the joystick Up/Down to set dwell time of the tour from 1~99 sec or default.
- SPEED: Turn the joystick Right after setting dwell time. Turn the joystick Up or Down to select tour speed from 1 ~255 or default. Press **Enter** key when you finish Tour

setting of preset position.

- e. PREV PAGE/NEXT PAGE: Turn the joystick Left to go previous page or turn joystick Right to go next page.
- f. RETURN: Turn joystick Left/Right to return to previous menu.

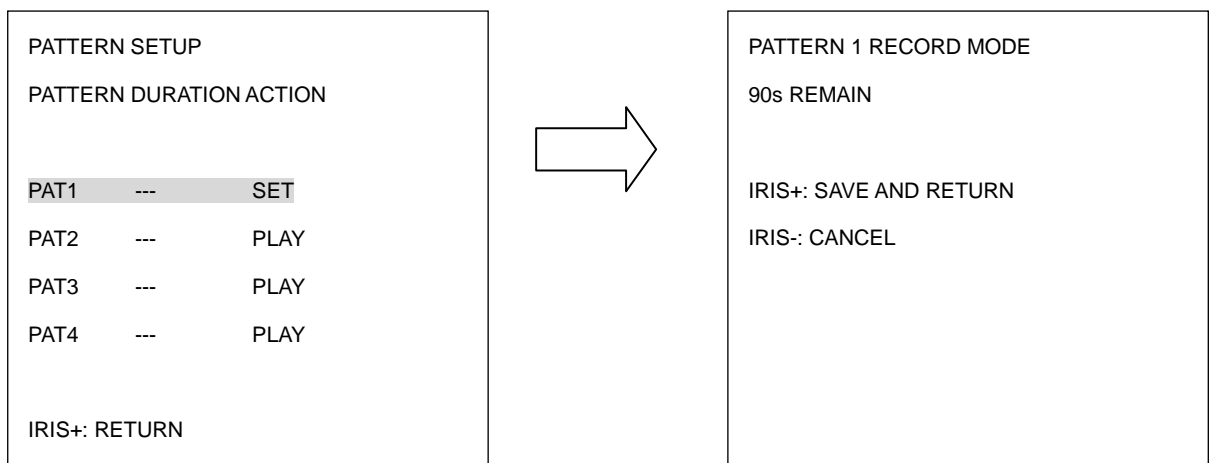
3.5.3. PATTERN

Press **Enter** key of keyboard to enter PATTERN sub-menu (see diagram 3.21)



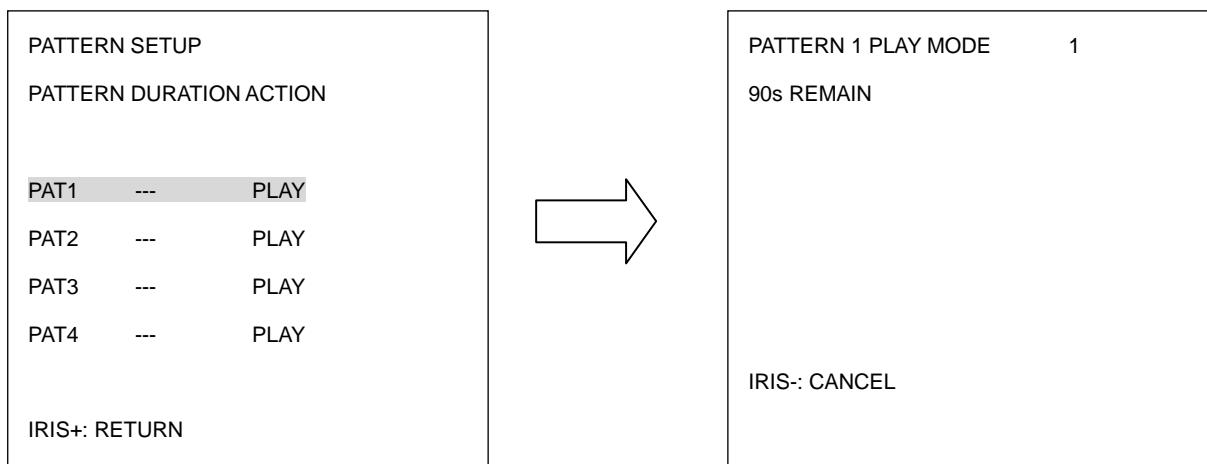
(diagram 3.21)

- a. Turn the joystick Up or Down to select pattern number.
- b. Turn the joystick Left or Right to select action mode, either **PLAY**, **SET** or **CLEAR**.
- c. Select **SET** and press **Enter** key of keyboard.



(diagram 3.22)

- d. Turn the joystick to record the tour you wish to set. Press **IRIS+** when you finish setting pattern tour. Press **IRIS-** if you wish to cancel this action. At duration column of PATTERN SETUP menu, you will see the duration time of pattern you set.
- e. When you return to PATTERN SETUP menu, turn the joystick Left/Right to **PLAY**. Press **Enter** key of keyboard. The camera starts to run the pattern tour you set. The camera keeps playing the pattern until you press **IRIS-** to cancel playing and it will return to PATTERN SETUP menu.



(diagram 3.23)

- f. RETURN: Turn joystick Left/Right to return to previous menu.

3.5.4. AUTO RESUME

Return to previous mode, if no action for a period.

Turn the joystick Left/Right to set AUTO RESUME. Auto Resume is selectable from OFF, After 30 sec, After 1 min, after 5 min, After 10 min, After 30 min and After 60 min. After this period of time, speed dome will resume to the mode you set in "RESUME TO". By selecting OFF, this function will be disabled.

3.5.5. RESUME TO

Turn the joystick Left/Right to select the mode to resume to. It is selectable from PREV

MODE, POS.1 (H), TOUR1, PAT.1 and AUTOPAN.

3.5.6. POWER UP FUNC

Turn the joystick Left or Right to select the mode to return to when power failure occurs.

It is selectable from PREV MODE, POS.1 (H), TOUR1, PAT.1, AUTOPAN and OFF

3.5.7. AUTO FLIP

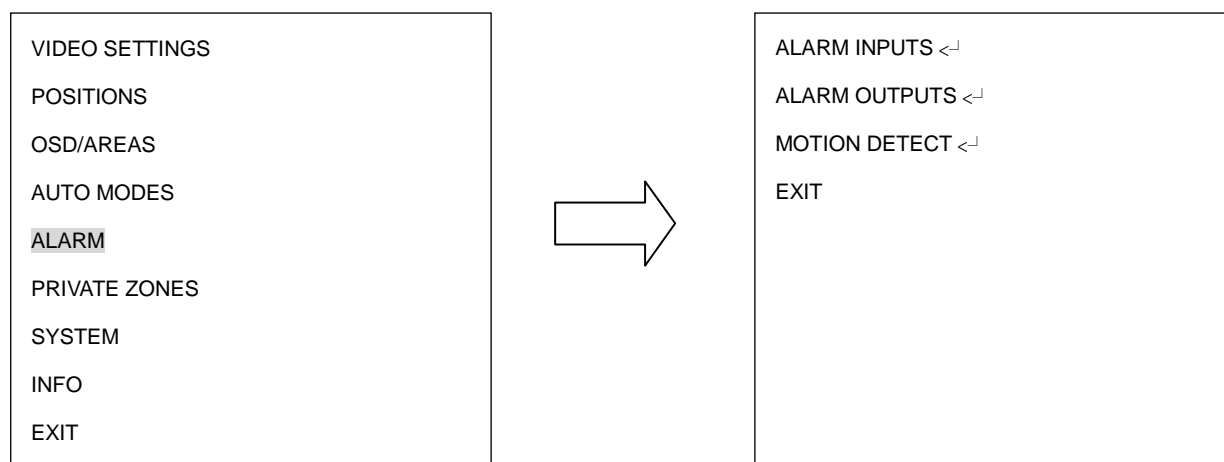
Select ON to enable Auto Flip function or select OFF to disable Auto Flip.

3.5.8. EXIT

Exit from the current menu.

3.6. ALARM

In main menu, turn joystick Up or Down to select ALARM. Turn joystick Left or Right to enter ALARM sub-menu (see diagram 3.24)



(diagram 3.24)

3.6.1. ALARM INPUTS

Press **Enter** key of keyboard to enter ALARM INPUTS sub-menu. (see diagram 3.25)

- a. Go to INPUT NO. selection and turn the joystick Left/Right to select alarm input number from 1 ~4.
- b. Type: Select Normal Close (NC), Normal Open (NO), NIGHT NC, NIGHT NO, or OFF for alarm type.

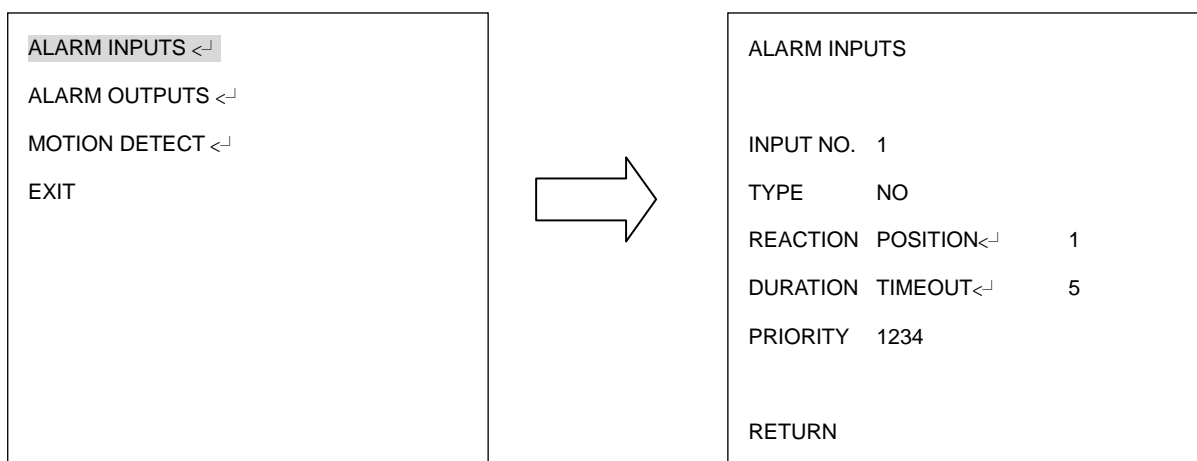
NC: Enable a normal close alarm input.

NO: Enable a normal open alarm input.

NIGHT NC: Set camera at night mode with normal close alarm input. When there is event triggered, the camera will be changed to day mode.

NIGHT NO: Set camera at night mode with normal open alarm input. When there is event triggered, the camera will be changed to day mode.

OFF: Disable alarm input.



(diagram 3.25)

- c. REACTION: The action will be taken when alarm is triggered.

OFF: No reaction will be taken when alarm is triggered.

POSITION: When the alarm is triggered, speed dome will go to the preset position.

Turn the joystick Left or Right to select on Position and press **Enter** key to select position number. Turn joystick Left/Right to make selection. It is selectable from 1~192. Press **Enter** key again to confirm selection.

PATTERN: When the alarm is triggered, speed dome will run the pattern. Turn the joystick Left/Right to select on Pattern and press **Enter** key to select pattern number. Turn joystick Left/Right to make selection. It is selectable from 1~4. Press **Enter** key again to confirm selection.

TOUR: When the alarm is triggered, speed dome will run the tour. Turn the joystick Left or Right to select on Tour and press **Enter** key to select tour number. Turn joystick Left or Right to make selection. It is selectable from 1~16. Press **Enter** key again to confirm selection.

d. **DURATION**: Duration of alarm input.

TIMEOUT: Turn the joystick Left or Right to select on TIMEOUT and press **Enter** key to select time-out. Time-out is selectable from 1~99. Press **Enter** key again to confirm selection.

LATCHED: Turn the joystick Left or Right to select on LATCHED. The alarm output will not stop until there is any operation on keyboard.

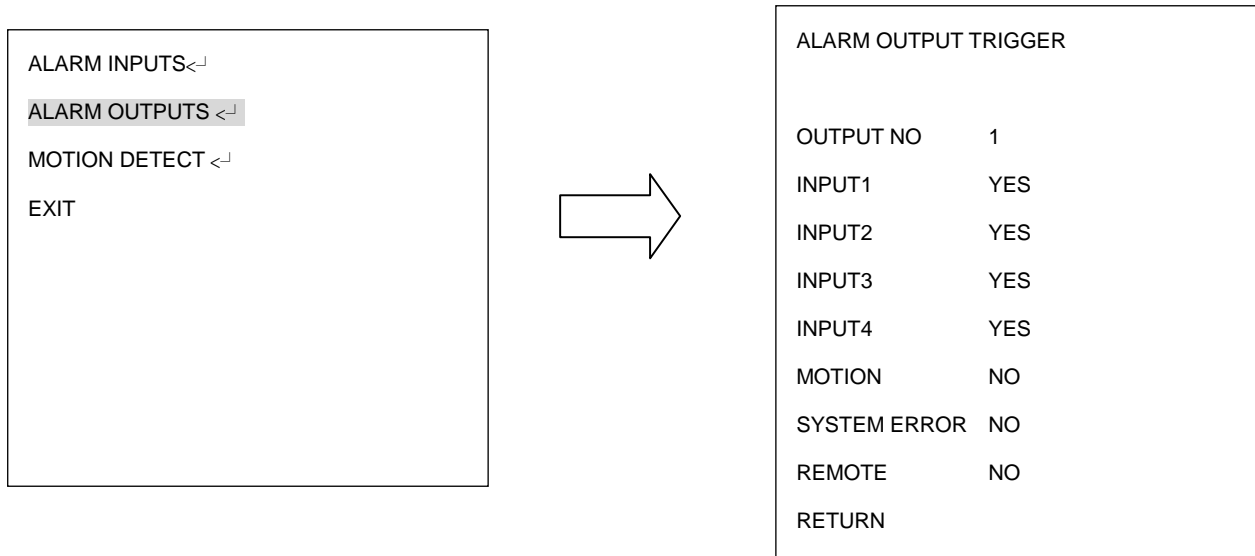
TRANSPARENT: Turn the joystick Left or Right to select on TRANSPARENT. The alarm output will not stop until the alarm is stopped.

e. **PRIORITY**: Turn the joystick Left or Right to select alarm input priority, it is selectable from 1234/2341/3412/4123.

f. **RETURN**: Turn joystick Left/Right to return to previous menu.

3.6.2. ALARM OUTPUTS

Press **Enter** key of keyboard to enter ALARM OUTPUTS sub-menu. (see diagram 3.26)



(diagram 3.26)

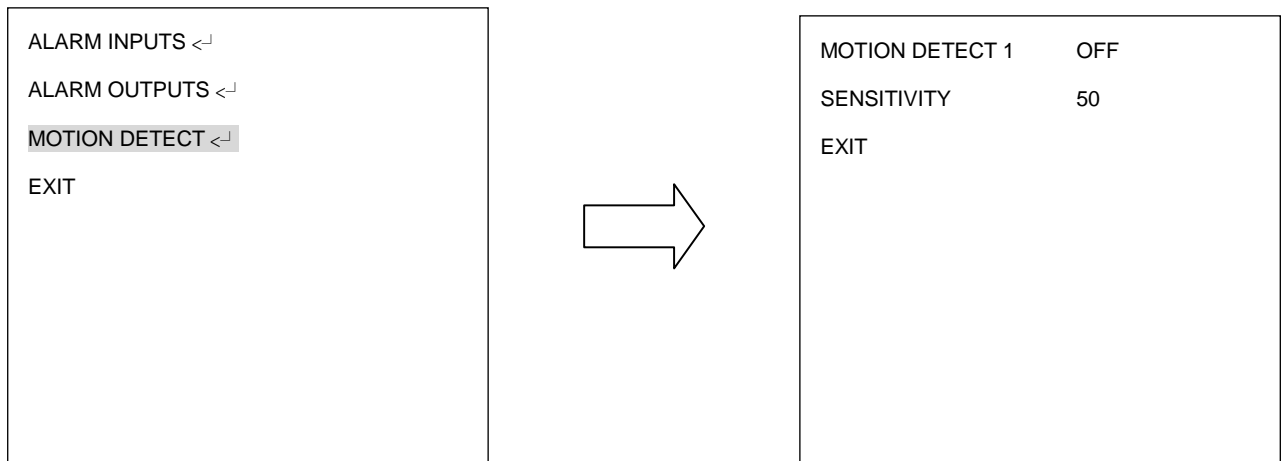
- a. OUTPUT NUM: Select Output number from 1~2.
- b. INPUT1: Select YES to enable Alarm input 1 for the alarm output selected. Select NO to disable Alarm input 1.
- c. INPUT2: Select YES to enable Alarm input 2 for the alarm output selected. Select NO to disable Alarm input 2.
- d. INPUT3: Select YES to enable Alarm input 3 for the alarm output selected. Select NO to disable Alarm input 3.
- e. INPUT4: Select YES to enable Alarm input 4 for the alarm output selected. Select NO to disable Alarm input 4.
- f. MOTION: Select YES to have alarm output triggered when a motion event is detected. Select NO to disable this function.
- g. SYSTEM ERROR: Select YES to have alarm output triggered when system error occurs. Select NO to disable this function.
- h. REMOTE: Select YES to have alarm output triggered when RS485 failure occurs.

Select NO to disable this function.

- i. RETURN: RETURN to the previous menu.

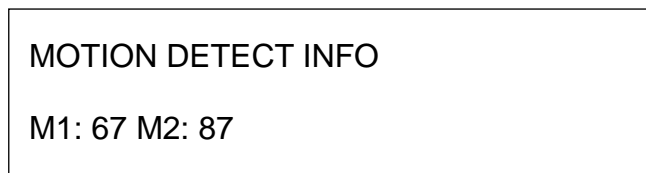
3.6.3. MOTION DETECT

Press **Enter** key of keyboard to enter MOTION DETECT sub-menu. (see diagram 3.27)



(diagram 3.27)

- a. Turn the joystick Left or Right to select ON for motion detection. A window as below pops up.



(diagram 3.28)

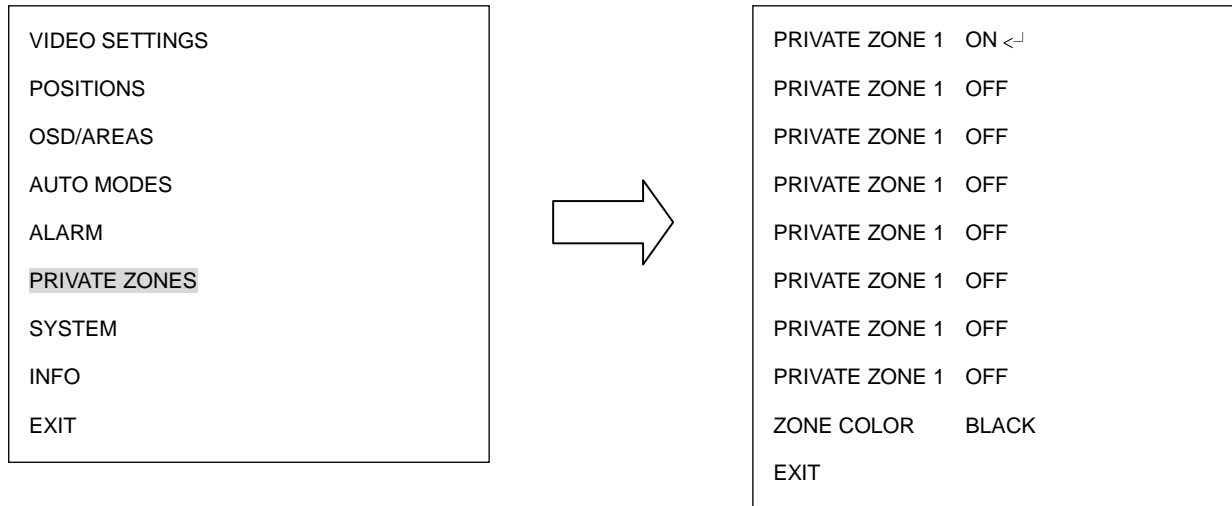
- b. SENSITIVITY: select motion detection sensitivity level from 1~100.

3.6.4. EXIT

Exit from the current menu.

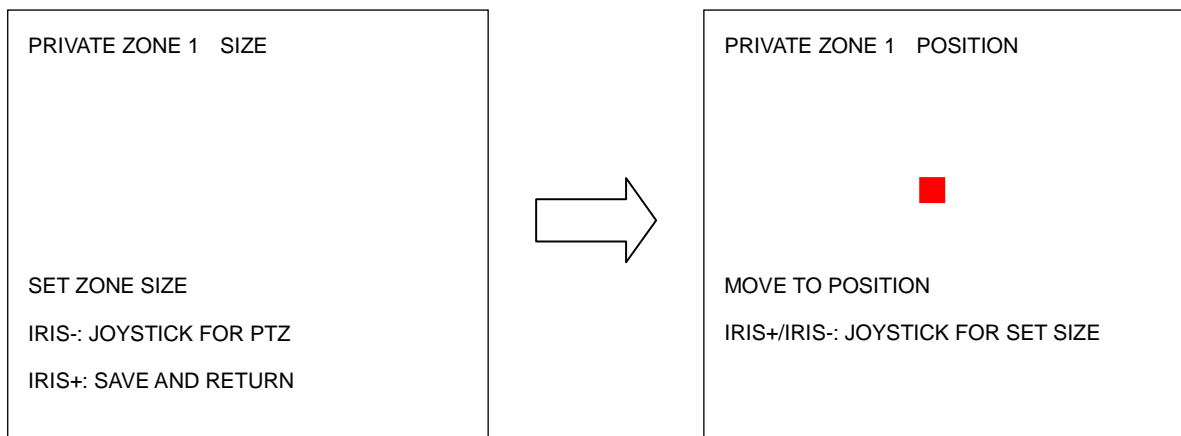
3.7. PRIVATE ZONES

In main menu, turn joystick Up/Down to select PRIVATE ZONES masking. Turn joystick Left/Right to enter PRIVATE ZONE sub-menu (see diagram 3.29)



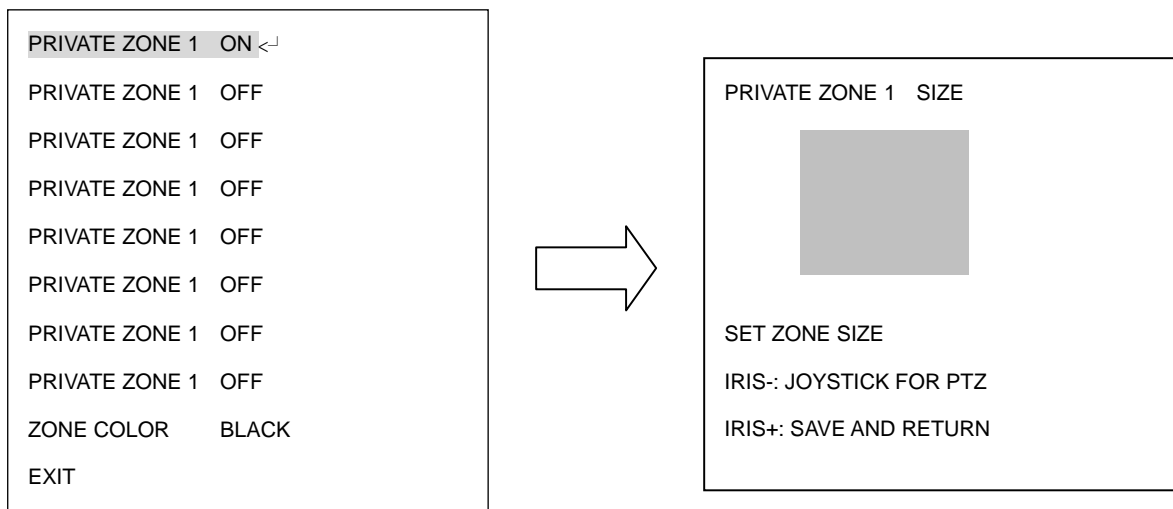
(diagram 3.29)

- a. ON: Turn joystick Left/Right to select ON/OFF. For private zone ON, press **Enter** key to enter private zone position.
- b. Turn the joystick and move to position (azimuth) of private zone. Press IRIS+ or IRIS- key to set private zone size.



(diagram 3.30)

- c. Select the area to be covered first. Turn joystick Left/Right to adjust width of the private zone area. Turn joystick Up or Down to adjust height of the private zone area. Press **IRIS-** key to set private zone position. Press **IRIS+** to save and return to previous menu.

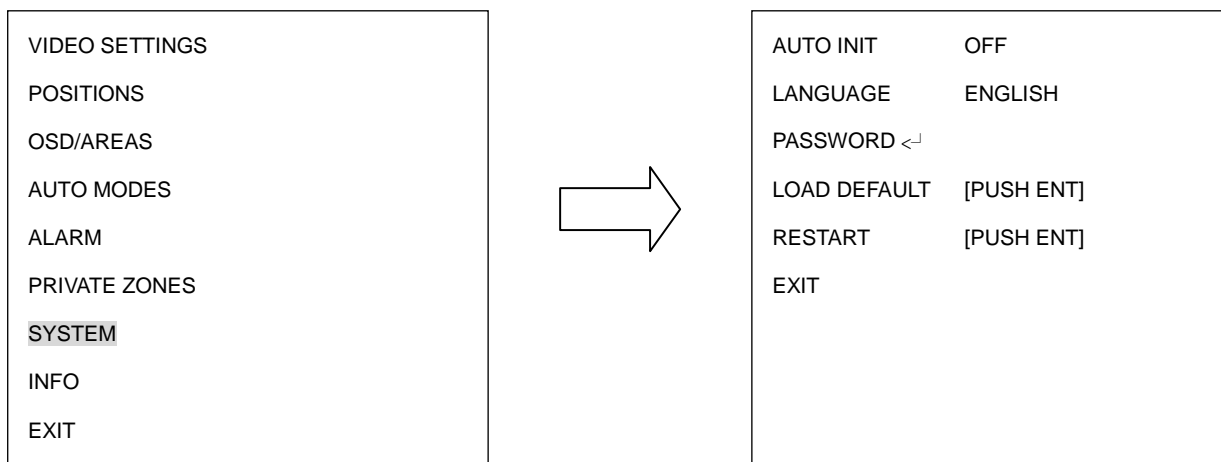


(diagram 3.31)

- d. Zone color: select private zone area color.
- e. Exit: exit from current menu.

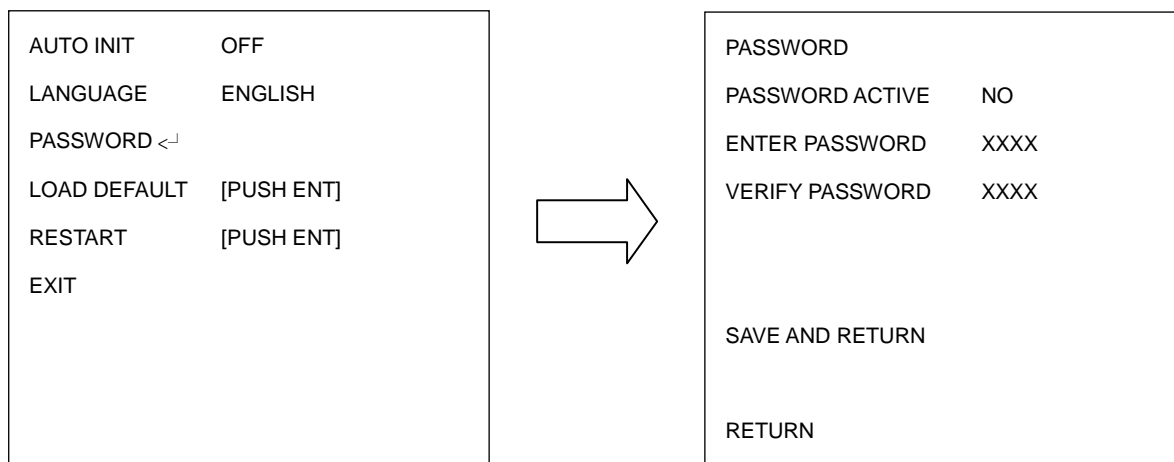
3.8. SYSTEM

In main menu, turn joystick Up/Down to select SYSTEM. Turn joystick Left/Right to enter SYSTEM sub-menu (see diagram 3.32)



(diagram 3.32)

- a. **AUTO INIT:** Select auto initiation time from OFF, DAILY, WEEKLY. Speed dome will automatically initiate and return to the previous position by maintaining all the settings you have done.
- b. **LANGUAGE:** Select language. The current version only supports English version.
- c. **PASSWORD:** Press **Enter** key or turn joystick Left/Right to enter password sub-menu.



(diagram 3.33)

PASSWORD ACTIVE: Select YES to activate password mode. Select NO to disable password mode.

ENTER PASSWORD: Enter the password

VERIFY PASSWORD: Enter the password again to confirm your input.

Press **IRIS+** key to save and return to previous menu. Press **IRIS-** key to cancel.

SAVE AND RETURN: Turn joystick Left/Right to save the changes and return to previous menu.

RETURN: Turn joystick Left/Right to return to previous menu without saving changes.

- d. **LOAD DEFAULT**: Press **Enter** key to load default values, all values will return to factory default value.
- e. **Restart**: Press **Enter** key to restart the speed dome.
- f. **EXIT**: Exit from current menu.

3.9. INFO

In main menu, turn joystick Up or Down to select INFO. Turn joystick Left or Right to enter INFO sub-menu (see diagram 3.34)

EPTZ31 series	
VERSION:	V1.0.0
PROTOCOL:	AUTO
BAUDRATE:	9600
RS-485-ID:	001
PRESET-CNT:	0000000000
X-CONT:	0000000001
Y-CONT:	0000000004
IRIS+:	RETURN

(diagram 3.34)

- a. **VERSION**: shows firmware version of this speed dome
- b. **PROTOCOL**: shows protocol of this speed dome

- c. BAUDRATE: shows baud rate of this speed dome
- d. RS-485-ID: shows RS-485 ID of this speed dome
- e. PRESET-CNT: Preset counter. This counter counts the preset movement, and 1 is counted when the speed dome runs to preset position.
- f. X-CONT: X-axis counter. This counter counts the x axis movement, and 1 is counted when the speed dome pans 360°.
- g. Y-CONT: Y-axis counter. This counter counts the y axis movement, and 1 is counted when the speed dome tilts 180°.
- h. Press **IRIS+** key to return to previous menu.

3.10. EXIT

Exit from the current menu.

4. EPTZ3100/3100I FUNCTION SETUP AND OPERATION

4.1. Manual Control Mode

- **Manual control:** Shift Joystick Up/Down/Left/Right, and turn it Clockwise/Counterclockwise to control speed dome.

Use the control keys which are Zoom, Focus and IRIS function keys on the keyboard to Zoom In/Out, focus N (near)/F (Far), or IRIS +/-.

Note: Zoom In/Out control keys will be disabled when entering to OSD menu mode.

- **HOME Mode:** The camera view will go back to the home position when there is no keyboard operation in a specific time. The home position and the specific time can be set by pressing **Set + Home**.

If you set the time to 0 minute, then the camera will go back to home if there is no keyboard operation in 5 seconds. This is the minimum no action time for HOME mode.

Note: If "HOME" function is enabled, dome will go to home immediately after powering on.

4.2. Auto Pan Mode

- **Two point auto pan:** Press **A.Pan** to enter the auto pan mode, and then the system will ask you to enter the auto pan speed (1~239). Press **Enter** to start auto pan.

In order to set the two points, press **Set + A.Pan**, and then enter the dwell time (1~127 seconds) of each point. EPTZ3100 begins to pan from point A to point B clockwise.

- **360° auto pan:** Press **Shift + A.Pan** to enter the 360° auto pan. System will ask you to enter 360° auto pan speed (1~239). The camera will turn 360° automatically, but not tilt.

4.3. Position Setting

- **Focus on a preset position:** Press the number key, and then press **Position** to focus on the number of preset position; or you can press **Position**, then enter the preset position number, and then press **Enter** to focus on the number of preset position.
- **Preset a position:** Shift the Joystick to the position you would like to preset, and then press **Shift + Position**. The system will ask you to enter the preset position number (1~192), and then press **Enter** to save the position. There are up to 192 positions can be preset.

Three specific preset positions can be set as follows:

92 => Set Left Limit Stop (A position)

93 => Set Right Limit Stop (B position)

95 => Enter Menu mode (Use keyboard control keys to control OSD items; **Focus F.** to go downward, **Focus N.** to go upward. **IRIS +** go to previous setting and **IRIS -** to exit).

You can directly go to the following specific preset positions:

33 => Rotation of 180 degree

34 => Go to Home position (if Home Position is set by EVF Keyboard)

90 => Run tour (one-way)

91 => Run Pattern

94 => Initial

96 => Stop Scan

97 => Start running tour 1

98 => Frame scan (60 degree / step)

Default speed is 32. It can be changed by EVF Keyboard (**Shift + A.Pan** setting

speed.

Dwell time: default is 2 sec; It can be changed by EVF Keyboard **Set** + **A.Pan** setting dwell time of A pos or B pos.

99 => Auto scan (360 degree)

Default speed is 32. It can be changed by EVF Keyboard (**Shift** + **A.Pan** setting speed).

We can even set camera's ICR Day/Night function with RS-485 command via keyboard. How to do this? Press **Position** + **88** to link to Day mode or **Position** + **89** to link to Night mode, "ICR AUTO" message will be shown on the right-bottom part of the screen. If OSD Day/Night ICR mode is "AUTO", it cannot be controlled by preset position setting.

- **Set the parameter of a preset position:** Press **Set** + **Position** to set the parameter of a preset position. You can set the going-to speed (1~239), dwell time (1~239 seconds), and the title of the position. Shift the joystick Right/Left to change bits, and shift the Joystick Up/Down to change the alphanumeric characteristic. The available alphanumeric characteristics are 0~9, A~Z, &, ?, !, :, ', ., ,, /, -, and a space.
- **Delete a preset position:** Press **Clr** + **Position** to delete a preset position. The system will ask you to enter the position number that you would like to delete, and then press **Enter**.

4.4. Tour Mode

In the tour mode, you can set a tour for viewing. There are 16 tours can be set, and 16 preset positions in a tour.

- **One-way tour Mode:** Press **Tour** to enter the tour mode. The system will ask you to enter the tour number you would like to run, and starts the tour after pressing **Enter**. To preset a tour before running is necessary.

Preset a one-way tour: Press **Set + Tour** to preset a one-way tour. The system will ask you to enter preset position numbers (The positions need to be preset). After finish entering all positions, press **Stop** to quit, and then press **Enter** to save the tour.
- **To-and-fro tour mode:** Press **Shift + Tour** to run a to-and-fro tour. The system will ask you to enter the tour number you would like to run, and starts the tour after pressing **Enter**. To preset a tour before running it is necessary.

Note 1: The difference between the One-way tour mode and To-and-fro tour mode is that the return modes are different. For example: There is a tour with 3 preset positions 1, 2 and 3. The camera runs 1→2→3→1→2→3 in the One-way tour mode, and 1→2→3→2→1 in the To-and-fro tour mode.

Note 2: You could set a pattern tour. Press **Set + Tour**, and input 0, press **Enter**. Sway the joystick to record the entire tour. Press **Stop** to stop recording tour. To view this pattern tour, simply press **Tour**, and input tour number 0.

4.5. Alarm Link to a Position/Tour

EPTZ3100/EPTZ3100I have 4 alarm inputs that can be set to link to a position or a tour when an alarm is triggered.

- **Set an alarm link:**

Press **F1** to set an alarm link. Enter the alarm number, and then press **Enter**.

Switch the Joystick up/down to select a position or a tour, enter a position or tour number, and then press **Enter** to confirm the alarm link setting.

If you set the position number to 99, the dome will do a 360 degree auto scan or AB two point pan if limit is ON. If you set the position number to 98, the dome will do a frame scan.

➤ **Delete an alarm link:**

Press **Clr** + **F1** to delete a link of alarm to position/tour.

Note 1: After alarm output signal is terminated, the speed dome will resume action or return to its original position.

Note 2: After powering on the speed dome, it will detect alarm status automatically.

4.6. Other Operations

The EPTZ3100/EPTZ3100I can work with a DVR that has PTZ control functions, and a matching protocol. The available control functions depend on different DVRs.

The EPTZ3100/EPTZ3100I can work with a keyboard that has PTZ control functions, and a matching protocol. The available control functions depend on different keyboards.

EverFocus Electronics Corp.

Head Office:

12F, No.79 Sec. 1 Shin-Tai Wu Road,
Hsi-Chih, Taipei, Taiwan
TEL: +886-2-26982334
FAX: +886-2-26982380
www.everfocus.com.tw

Europe Office:

Albert-Einstein-Strasse 1
D-46446 Emmerich, Germany
TEL: +49(0)-2822-9394-0
FAX: +49(0)-2822-9394-95
www.everfocus.de

USA L.A. Office:

1801 Highland Ave. Unit A
Duarte, CA 91010, U.S.A.
TEL: +1-626-844-8888
FAX: +1-626-844-8838
www.everfocus.com

China Office:

Room B-05D-1, KESHI PLAZA,
Shangdi Information Industry Base,
Haidian District, Beijing China
100085
TEL: +86-10-62973336/37/38/39
FAX: +86-10-62971423
www.everfocus.com.cn

USA N.Y. Office:

415 Oser Avenue Unit S
Hauppauge, NY 11788
TEL: +1-631-436-5070
FAX: +1-631-436-5027
www.everfocus.com

Japan Office:

1809 WBG MARIBU East 18F,
2-6 Nakase.Mihama-ku.
Chiba city 261-7118, Japan
TEL: +81-43-212-8188
FAX: +81-43-297-0081
www.everfocus.co.jp



Your EverFocus product is designed and manufactured with high quality materials and components which can be recycled and reused. This symbol means that electrical and electronic equipment, at their end-of-life, should be disposed of separately from your household waste. Please, dispose of this equipment at your local community waste collection/recycling centre. In the European Union there are separate collection systems for used electrical and electronic product. Please, help us to conserve the environment we live in!

Ihr EverFocus Produkt wurde entwickelt und hergestellt mit qualitativ hochwertigen Materialien und Komponenten, die recycelt und wieder verwendet werden können. Dieses Symbol bedeutet, dass elektrische und elektronische Geräte am Ende ihrer Nutzungsdauer vom Hausmüll getrennt entsorgt werden sollen. Bitte entsorgen Sie dieses Gerät bei Ihrer örtlichen kommunalen Sammelstelle oder im Recycling Centre. Helfen Sie uns bitte, die Umwelt zu erhalten, in der wir leben!



EverFocus®

P/N: MW01G02400_Ver.A

Free Manuals Download Website

<http://myh66.com>

<http://usermanuals.us>

<http://www.somanuals.com>

<http://www.4manuals.cc>

<http://www.manual-lib.com>

<http://www.404manual.com>

<http://www.luxmanual.com>

<http://aubethermostatmanual.com>

Golf course search by state

<http://golfingnear.com>

Email search by domain

<http://emailbydomain.com>

Auto manuals search

<http://auto.somanuals.com>

TV manuals search

<http://tv.somanuals.com>