



EVERFOCUS

1/3" Sony ExView Day/Night Rugged Dome Color Camera Operation Instructions

Model No. **EHD525EX**

Please read this manual first for correct installation and operation. This manual should be retained for future reference. The information in this manual was current when published. The manufacturer reserves the right to revise and improve its products. All specifications are therefore subject to change without notice.

PRECAUTIONS

1. Do not install the camera near electric or magnetic fields.

Install the camera away from TV, radio transmitter, magnet, electric motor, transformer, audio speakers since the magnetic fields generate from above devices will distort the video images.

2. Never disassemble the camera nor put impurities in it.

Disassembly or impurities may result in trouble or fire.

3. Never face the camera toward the sun.

Direct sunlight or severe ray may cause fatal damage to sensor and internal circuit.

4. Keep the power cord away from water and liquid.

Touching the wet power cord may result in electric shock.

5. Never install the camera in areas exposed to water, oil or gas.

Water, oil or gas may result in failure, electric shock or fire.

6. Cleaning

Do not touch the surface of sensor by hand directly. Use a soft cloth to remove the dirt from the camera body. Use lens tissue or a cotton swab and ethanol to clean the sensor and the camera lens.

7. Do not operate the camera beyond the specified temperature, humidity or power source ratings.

Use the camera at temperatures within -40°C ~ 50°C (-40°F ~ 122°F) and humidity between 20%~ 80%. The input power source is 12VDC/24VAC.

PREFACE

The most technically advanced EHD series are the newest vandal-resistant Color Rugged Dome Camera from EverFocus Electronics. The Color Rugged Dome Camera can withstand a blow from a 10-pound sledgehammer and has a built-in heater that allows for operation in low temperatures. It is perfect for all high-profile crime-prone applications such as building entrances, retail stores, and shopping malls. The extremely EHD series are unquestionably one of the world's toughest cameras and is your best choice for vandal resistance. EHD525EX is designed with True Day/Night function that allows removable Auto IR Cut and an enhanced B/W sensitivity, while turning the image from color to B/W.

FEATURES

- 560 TVL of horizontal resolution
- 1/3" Sony ExView CCD with low light sensitivity of 0.1 lux/F=1.2
- Revolutionary integrated 10-bit Digital Signal Processor (DSP) delivers excellent picture quality and sharp color images
- Designed with polycarbonate shell to withstand the impact of a 10 lb sledgehammer
- Aluminum base with smoke color shell
- Day/Night with IR cut removable module
- Dual voltage: 12VDC or 24VAC

PACKAGE CONTENTS

Standard Accessories

- Camera Unit x 1
- Accessory Pack includes:
 - Screws x 4
 - Expanding Screws x 4
 - Wrench x 1

- Conduit x 1
- Power & Video Cable x 1
- Desiccant Pack x 1
- Manual x 1

Optional Accessory

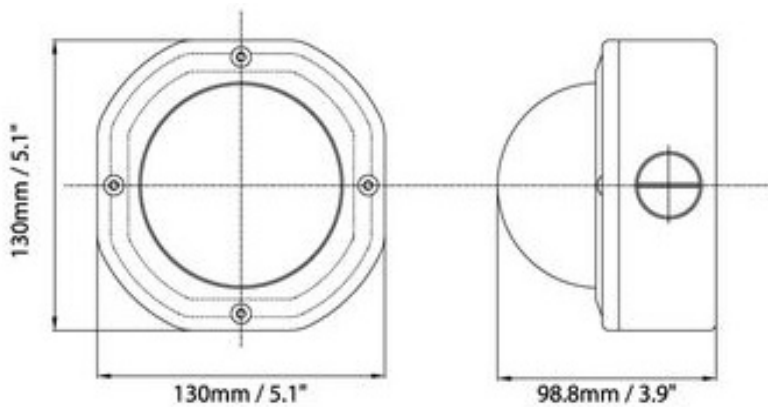
- Wall Mount Bracket (BA-EHD)

SPECIFICATIONS

Pickup Device	1/3" SONY EXView CCD
Video Format	NTSC or PAL
Scanning System	NTSC: 525 TV lines, 60 fields/sec PAL: 625 TV lines, 50 fields/sec
Picture Elements	768 x 494(NTSC) ; 752 x 582(PAL)
Horizontal Resolution	560TVL
Sensitivity	0.1Lux/F=1.2
S/N Ratio	Over 50dB(AGC off)
Electronic Shutter	1/50(1/60)~1/100,000
Lens Type	Vari-focal lens, Auto Iris f=2.9~10mm, F=1.2 f=3.6~9mm f=9~22mm, F=1.6 *Lens models and availability vary in different regions
Back Light Comp.	ON/OFF Switch
Auto Gain Control	ON/OFF Switch
Flickerless	ON/OFF Switch
Auto White Balance	Yes
Gamma Correction	0.45
Video Output	2 video outputs BNC 1.0Vp-p, 75ohm Additional testing video output 1.0Vp-p, 75ohm
Sync. Mode	Line Lock/Internal Sync.
Weatherproof	IP66
Vandal Resistant	Yes
Heater	Yes, built-in

Power Source	12VDC/24VAC
Power Consumption	24VAC: 6VA max. (Heater OFF) 24VAC: 20.5VA max. (Heater ON) 12VDC: 4W max. (Heater OFF) 12VDC: 11.5W max. (Heater ON)
Dimensions	130mm(W) x 98.8mm(H) x 130mm(D); 5.1"(W) x 3.9"(H) x 5.1"(D)
Weight	1.7kg ; 3.7lbs
Operating Temperature	-40°C~50°C ; - 40°F~122°F (20%~80% Humidity)
Certifications	FCC/CE

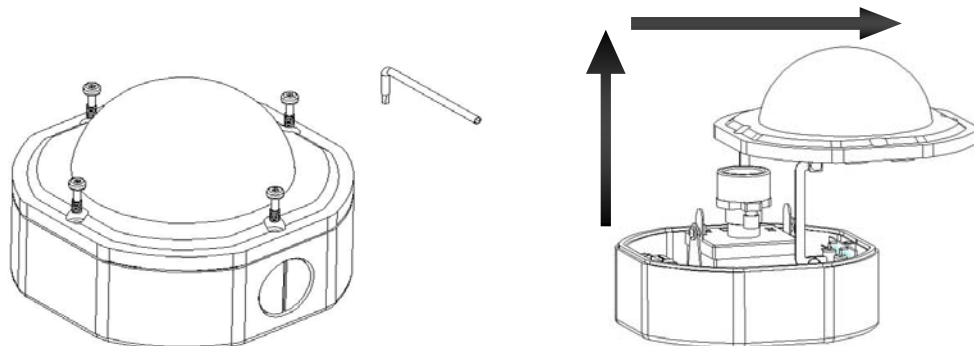
DIMENSIONS



INSTALLATION

1. Loosen the 4 fix screws on the housing cover by using the attached wrench (Figure 1).

Carefully uncap the housing cover as the direction shown below (Figure 2), please pay attention not to damage the lens. To remove the housing cover, push the hinges to the bottom of the bracket, the hinges can be easily removed from the bracket.



2. Remove the camera. Figure 1

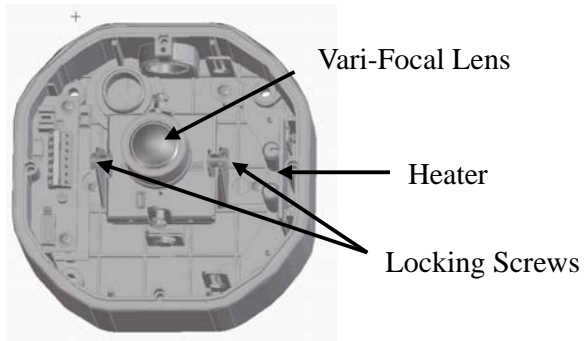


Figure 3

To remove the camera, first unplug the wire connection on the back of the camera. Then loosen the 2 locking screws on the camera base, push the camera base to the right (toward heater direction, as shown in Figure 3), remove the camera from the mounting base.

Reinstall the camera and the cable while the base mounting is completed.

3. Mounting the base.

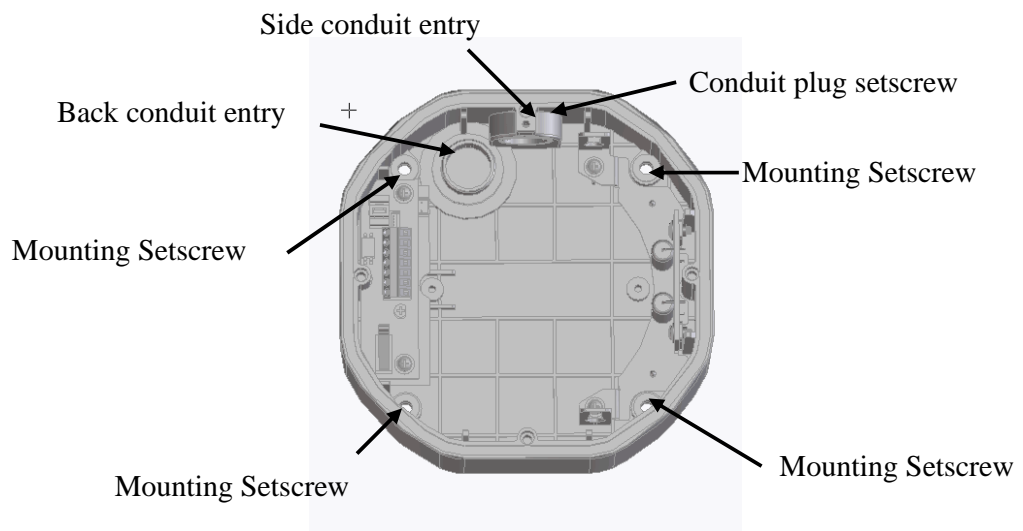
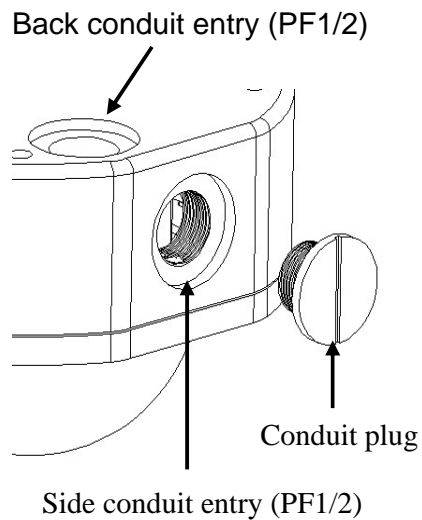


Figure 4

Attach the base to the wall or ceiling, fix the base by the 4 setscrews attached in the accessory pack. The dome is weighted 1.7kg, please make sure if the mounting is strengthened enough to support it, if not, please reinforce the mounting according to the environment.

Note: The diameter of the screw hole is ϕ 4.7mm.



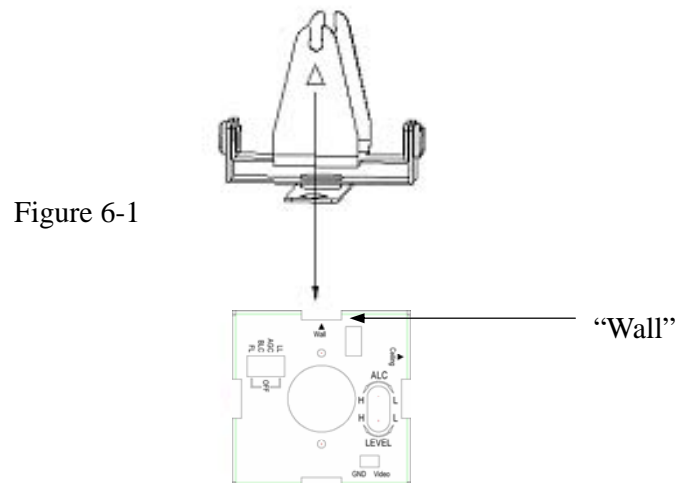
The camera comes with a conduit plug pre-installed in the PF 1/2 conduit entry on the side. The screw can be removed and installed in the back conduit entry. Loosen the conduit plug setscrew (as shown in Figure 5) before removing the conduit plug.

Figure 5

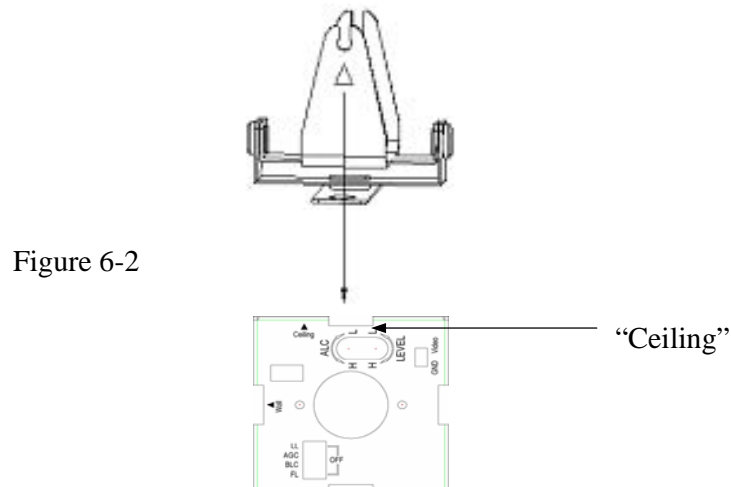
Caution: To prevent moisture leaking into the housing, apply an appropriate gasket or sealant around the conduit connection.

4. Re-assemble Camera

1. When mounting COLOR RUGGED DOME CAMERA on the wall, please aim the “**Wall**” in line with the triangle “▲” marked on the lead frame. (Factory default)



2. When mounting COLOR RUGGED DOME CAMERA on the ceiling, please aim the “**Ceiling**” in line with the triangle “▲” marked on the lead frame.



5. Wire Connection

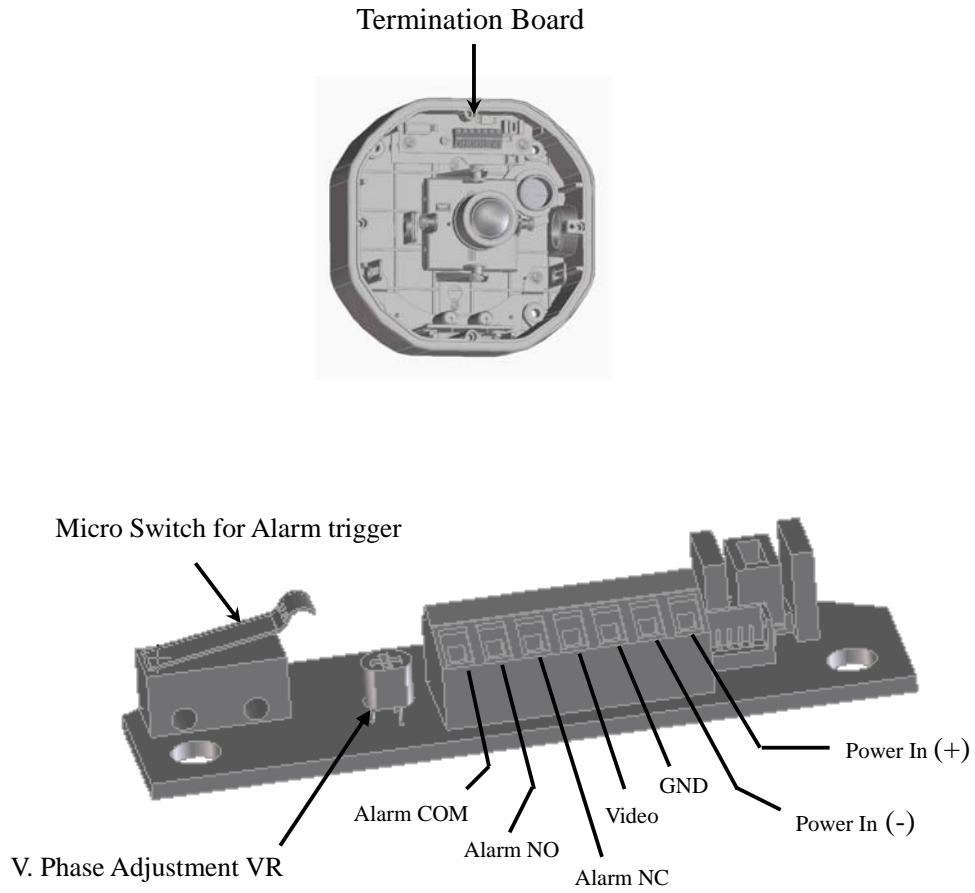


Figure 7

Connect the power supply cable (24VAC/12VDC), video output and alarm output to the proper connectors shown as Figure 7.

The V. Phase adjustment screw is located on the termination board. The vertical phase may require adjustment to synchronize the vertical phase of the camera with other camera in the system when it is to be used in the line-lock

sync mode. Make the adjustment when the vertical phase of the camera does not match with other cameras.

6. View Angle Adjustment

The camera can be rotated 360° horizontally, 140° vertically and 60° 3rd axis view angles (as shown in Figure 8). Adjust the proper camera view angle as needed. If a vari-focal lens is used, you may adjust the focus and zoom of the lens to bring the object in focus. Be sure to loosen the locking screws on the lens before you make adjustment.

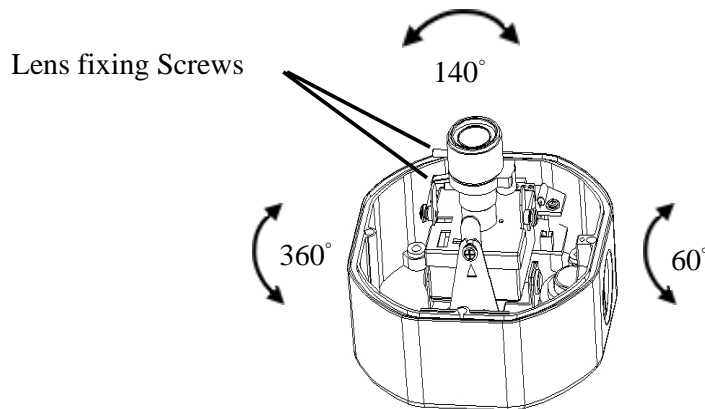


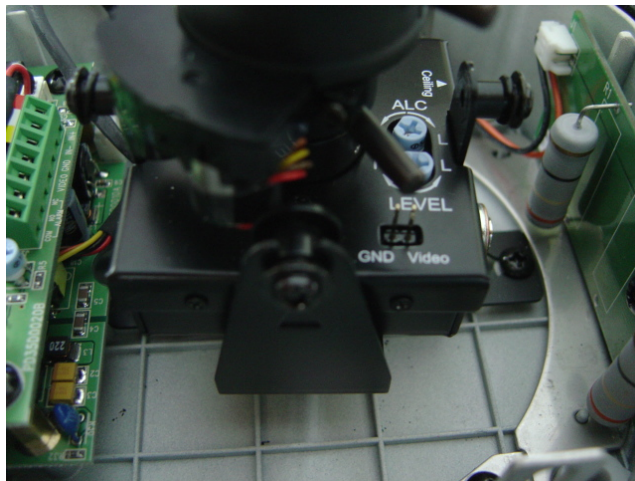
Figure 8

7. Repositioning the adjustment stick (only for 3.6-9mm Vari-focal lens)

a) The default position of adjustment stick is shown as below:



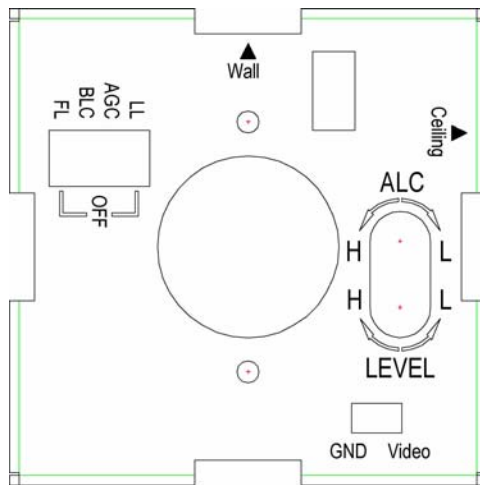
b) While zooming In/Out with the adjustment stick, it may obstruct other adjustments of Iris Level and Video Output.



c) In this case, you can gently take off the adjustment stick and place it to the other hole at its right-hand side. This will allow you to adjust zooming function smoothly.



DIP SWITCH FUNCTION



Vari-Focal Lens

LL (Line-Lock) OFF/ON

To select the sync mode between Internal Sync.(LL off) and Line-Lock (LL on).

Set the line-lock off, the camera will synchronize to the internal time base. Set the line-lock ON, the camera's vertical synchronization can be driven by the AC signal in the power lines.

Note: Line-Lock sync mode operation is possible only when used with an AC power source; it is not possible with a DC power source.

The default setting is OFF.

AGC (Automatic Gain Control) OFF/ON

AGC ON: The sensitivity increases automatically when light is low.

AGC OFF: A-low-noise picture is obtained under a low light condition.

The default setting is ON.

BLC (Back Light Compensation) ON/OFF

When BLC is turned on, the AGC, ES and IRIS operating points are determined by averaging over the center area instead of entire field-of-view, so that a dimly-lit foreground object at center area can be clearly distinguished from brightly-lit backgrounds.

BLC should not be used unless it is needed to compensate for back-lit.

The default setting is OFF.

FL (Flickerless Function) ON/OFF

When picture flicker fiercely, turn FL on, then the camera will stabilize the speed of electronic shutter at 1/100(NTSC) or 1/120(PAL) automatically, and reduce the flicker immediately.

The default setting is OFF

IRIS Level Adjustment

Brightness Level can be adjusted from the IRIS level VR.

- Turn counterclockwise to L to get darker picture.
- Turn clockwise to H to get brighter picture.

IRIS ALC Adjustment

To select light metering method

- Turn the IRIS ALC Adjustment VR counterclockwise for Average Metering.
- Turn the IRIS ALC Adjustment VR clockwise for Peak Metering.

SIMPLE INSTRUCTIONS FOR THE DESICCANT PACK

Due to the camera lens blurred from the humidity inside the camera.

The desiccant pack absorbs the humidity; please refer to the easy instruction as follows:

1. Adjust all settings first and place the desiccant pack on the horizontal rod, then bend the horizontal rod and fix it.
2. Install the outer cover and tighten the screws.

Installation steps for the EHD series:

Step 1

Horizontal rod



Desiccant pack

Step 2



Bend the horizontal rod and fix the desiccant pack

Step 3



Install the outer cover and tighten the screws

EverFocus Electronics Corp.

Head Office:

12F, No.79 Sec. 1 Shin-Tai Wu Road,
Hsi-Chih, Taipei, Taiwan
TEL: +886-2-26982334
FAX: +886-2-26982380
www.everfocus.com.tw

USA L.A. Office:

1801 Highland Ave. Unit A
Duarte, CA 91010, U.S.A.
TEL: +1-626-844-8888
FAX: +1-626-844-8838
www.everfocus.com

USA N.Y. Office:

415 Oser Avenue Unit S
Hauppauge, NY 11788
TEL: 631-436-5070
FAX: 631-436-5027
www.everfocus.com

Europe Office:


Albert-Einstein-Strasse 1
D-46446 Emmerich, Germany
TEL: 49-2822-9394-0
www.everfocus.de

China Office:

Room 609, Technology Trade Building,
Shangdi Information Industry Base, Haidian
District, Beijing, China 10085
TEL: +86-10-62973336/37/38/39
FAX: +86-10-62971423
www.everfocus.com.cn

Japan Office:

1809 WBG MARIBU East 18F,
2-6 Nakase.Mihama-ku.
Chiba city 261-7118, Japan
TEL: +81-43-212-8188
FAX: +81-43-297-0081
www.everfocus.com

	<p>Your EverFocus product is designed and manufactured with high quality materials and components which can be recycled and reused.</p> <p>This symbol means that electrical and electronic equipment, at their end-of-life, should be disposed of separately from your household waste.</p> <p>Please, dispose of this equipment at your local community waste collection/recycling centre.</p> <p>In the European Union there are separate collection systems for used electrical and electronic product.</p> <p>Please, help us to conserve the environment we live in!</p>	<p>Ihr EverFocus Produkt wurde entwickelt und hergestellt mit qualitativ hochwertigen Materialien und Komponenten, die recycelt und wieder verwendet werden können.</p> <p>Dieses Symbol bedeutet, dass elektrische und elektronische Geräte am Ende ihrer Nutzungsdauer vom Hausmüll getrennt entsorgt werden sollen.</p> <p>Bitte entsorgen Sie dieses Gerät bei Ihrer örtlichen kommunalen Sammelstelle oder im Recycling Centre.</p> <p>Helpen Sie uns bitte, die Umwelt zu erhalten, in der wir leben!</p>
---	--	---



P/N: MEHDG00910_Ver.C

Free Manuals Download Website

<http://myh66.com>

<http://usermanuals.us>

<http://www.somanuals.com>

<http://www.4manuals.cc>

<http://www.manual-lib.com>

<http://www.404manual.com>

<http://www.luxmanual.com>

<http://aubethermostatmanual.com>

Golf course search by state

<http://golfingnear.com>

Email search by domain

<http://emailbydomain.com>

Auto manuals search

<http://auto.somanuals.com>

TV manuals search

<http://tv.somanuals.com>