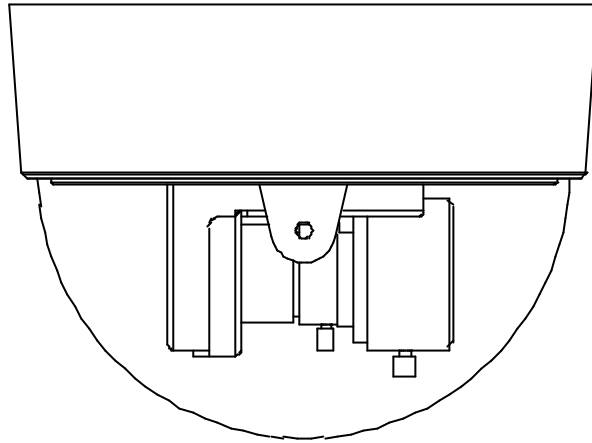


# ED300 Series



User's Manual  
and  
Operation Instructions

Version 1.1

# Notice

This manual is presented to the users of ED300 by EverFocus Electronics Corp. With years of engineering researches, EverFocus has spared all efforts to provide the high quality products to the worldwide users. For the policy of continual product improvement, EverFocus reserves the right to make changes to the product specifications and documentation without notice. All the components of the products, including accessories, components, and outlook, are based on the agreements of each deal to satisfy all kinds of users. Please be advised that every step of operation must follow the instruction of this manual to keep ED300 working under the best condition. Please notice that EverFocus will not be charged any claims or renewing cases resulting from inappropriate operation.

# Table of Contents

<i>Safety Warning</i> .....	<b>1</b>
<i>Introduction</i> .....	<b>3</b>
<i>Specification</i> .....	<b>4</b>
<b>Major Parts Names and Functions</b> .....	<b>5</b>
<b>Installation Instructions</b> .....	<b>7</b>
<b>Lens Adjustments</b> .....	<b>8</b>
<b>Adjustments</b> .....	<b>9</b>

# Safety Warning

## **1. Do not expose the camera to humidity and dust.**

Moisture can damage the camera and cause the danger of electric shock. If the camera is mounted outdoors, a camera housing is required. Do not install the camera at where there is greasy smoke or steam, where the humidity is too high, or where there is a lot of dust to prevent damages to the camera.

## **2. Do not disassemble the camera.**

Do not disassemble the camera body as it is dangerous and may cause the damages to the camera. Refer all servicing to qualified service personnel.

## **3. Handle the camera with care.**

Be careful when handling the camera, do not drop it or subject it too strong shock or vibration to prevent any damages to it.

## **4. Do not install the camera near electric or magnetic fields.**

Install the camera away from TV, radio transmitter, magnet, electric motor, transformer, audio speakers because the magnetic fields generate from above devices will distort the video image.

## **5. Do not install the camera in the high temperature environment.**

Install the camera away from stoves, or other heat generating devices, or where it could be subject to direct sunlight as the high temperatures could cause deformation, discoloration or other damages of the camera. Install the camera at where the temperature range will stay between 0 to 50 (32 to 122 ).

## **6. Cleaning**

Use a soft cloth to remove the dirt from the unit. Use lens tissue or a cotton tipped applicator and ethanol to clean the camera lens.

# Introduction

The High Resolution Dome Camera Series are compact, full function ED300 CCD Color Cameras. Their stylish appearance can be applied as per installer's ideal locations on the ceiling. The dome camera design ED300 with advanced ED300 digital processing circuitry for high resolution 1/3" color interline transfer CCD sensor, it has DIP switch for AGC on/off, BLC on/off. The dome camera uses a vari focal auto iris lens for discreet surveillance or close-up viewing and it features with iris LEVEL volume control for the best viewing quality.

## Main Features:

- ✍ ✍ Design ED300 with advanced ED300 digital signal processing circuitry for high image quality.
- ✍ ✍ The high sensitivity of 1.42 lux / F=1.6 is achieved ED300 by high-resolution 1/3" Interline transfer CCD.
- ✍ ✍ Built-in Vari Focal type, mechanical auto iris lens
- ✍ ✍ Able to adjust the viewing range with manual zoom lens.      c
- ✍ ✍ With manual PAN/TILT mechanism.
- ✍ ✍ BLC and AGC function on/off switchable.
- ✍ ✍ Compact size : 108mm O.D. x 80mm H.
- ✍ ✍ System available for NTSC or PAL

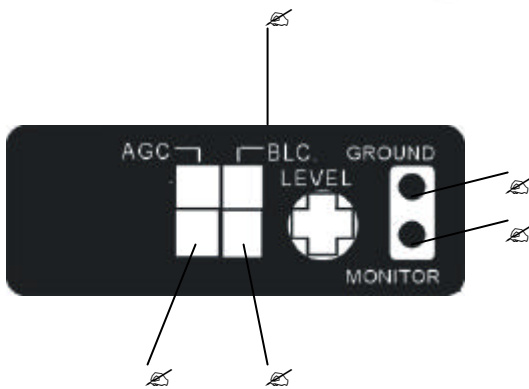
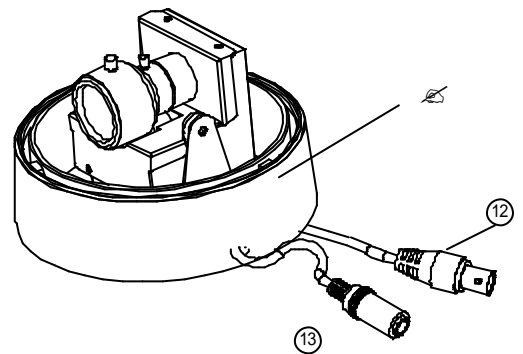
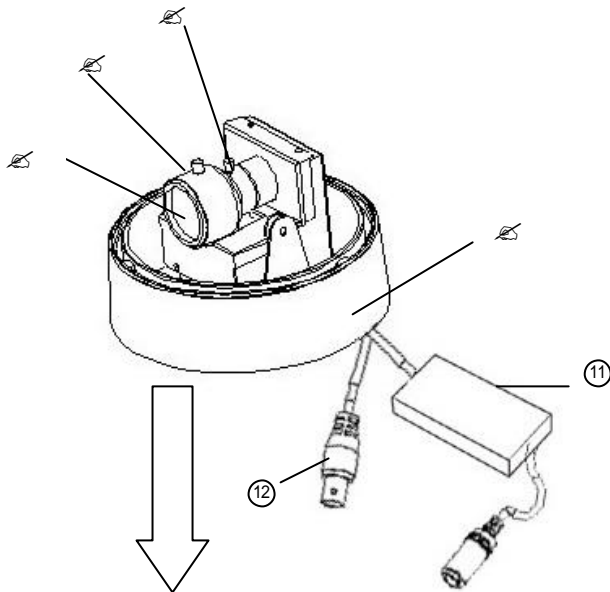
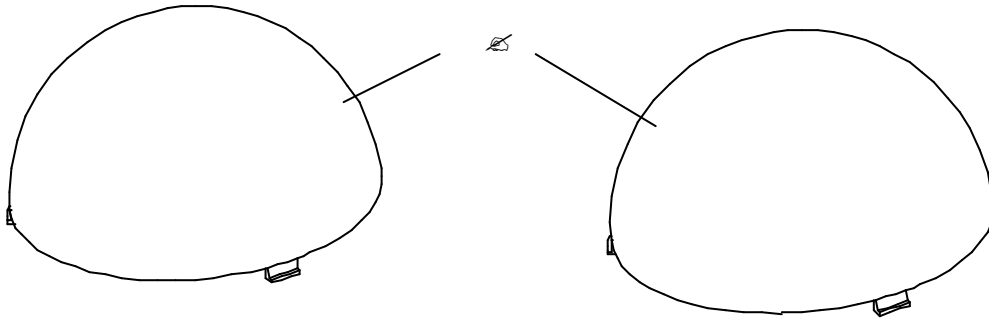
# Specification

<b>Pickup device:</b>	1/3" Interline transfer CCD
<b>Video format:</b>	NTSC/PAL
<b>Scanning system:</b>	NTSC: 525 TV lines, 60 fields/sec; PAL: 625 TV lines, 50 fields/sec.
<b>Picture elements:</b>	NTSC: 811(H) x 508 (V); PAL: 795 (H) x 596 (V)
<b>Effective picture elements:</b>	NTSC: 768 (H) x 494 (V); PAL: 752 (H) x 582 (V)
<b>Horizontal resolution:</b>	480 TV lines
<b>Sensitivity:</b>	1.42 lux / F=1.6
<b>S/N ratio:</b>	> 48 Db
<b>Varifocal lens:</b>	manual zoom and focus adjustment, mechanical auto IRIS
<b>IRIS level:</b>	Adjustable
<b>Back light comp.:</b>	On / Off Switch
<b>Auto Gain Control:</b>	On / Off Switch
<b>Auto white balance:</b>	Yes
<b>Gamma correction:</b>	0.45
<b>Monitor output pin:</b>	Yes, 1.0 Vp-p / 75 ohm, test point pin
<b>Video output:</b>	1.0Vp-p/75ohm
<b>Sync. mode:</b>	Internal sync.
<b>Audio</b>	Available for model High Resolution Dome A
<b>Power source</b>	12VDC or 24VAC, 300mA
<b>Dimension:</b>	108 mm O.D. x 80 mm H
<b>Operating temperature:</b>	0°C to +50°C/20~80%
<b>Power consumption:</b>	5W max.

# Major Parts Names and Functions

《ED300》

《ED300-A》



5.



### **🔍 Camera Cover**

This cover will protect the camera from dust and damage.

### **🔍 Lens**

This Vari-Focal Lens allows users to adjust the Zoom and Focus manually.

### **🔍 Base**

The camera unit is set in the dome base when it is shipped from the factory.

### **🔍 Focus Ring**

To set the focus, loosen the Focus ring knob first, then turn the ring toward < > or <N> as necessary. When the focus is obtained as desired, tighten the focus ring knob.

### **🔍 Zoom Ring**

Loosen the zoom ring knob, then you can adjust the viewing range. Turn the ring towards <W> for WIDE or <T> for TELE as necessary. When the setting is finished, tighten the zoom ring knob.

### **🔍 Auto Gain Control on/off switch.**

The factory setting is AGC on.

### **🔍 Back Light Compensation on/off switch**

The factory setting is BLC off.

### **🔍 Level Volume Control**

The iris level control for the lens.

### **🔍 Ground Pin**

For monitor use. Please see 🔍.

### **🔍 Monitor Pin**

When setting up the camera, connect a monitor to this video output pin and to the GROUND pin using alligator clip cables, then using the image display on the monitor, set the surveillance angle.

### **⑪⑫ Power input**

Use the connector to connect with 12VDC or 24VAC-power adaptor.

### **⑬ Video Output BNC Connector**

Use the connector to connect with the video in connector of a monitor.

# Installation Instructions

1. Remove the plastic dome cover.
2. Loosen the two screws of the supporting bracket to remove the camera body.
3. Using four screws to fix the camera base on the ceiling.
4. Put the camera body back to the supporting bracket, then tighten the two screws to fix the camera.
5. Connect the BNC connector of the camera to a color monitor, or other video device through a 75 ohm type coaxial cable with BNC female connector at cable extension.
6. Connect the DC+12V or 24VAC regulated 300 power source of the camera (DC Jack) to the DC12V or 24VAC Power-in jack with 2mm, center+, outer- plug.
7. Connect the audio output connector of the camera(model High Resolution Dome A) to the audio in connector of the monitor.

**NOTE:** Be very careful not to scratch or damage the lens while making any kind of setting.

# Lens Adjustments

## Zoom and focus adjustments

After the camera was installed, the zoom and focus of the lens must be adjusted.

1. Loosen the zoom ring knob, and then turn the ring towards <W> or <T> as necessary to obtain the desired view range.

W side (Zoom out)

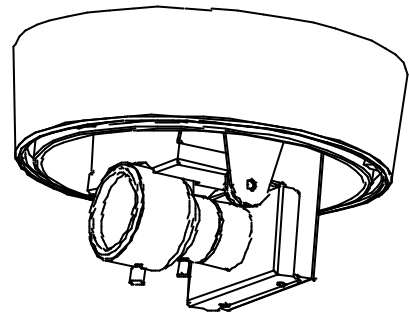
The viewing range will be wider and the subject is smaller.

T side (Zoom in)

The viewing range will be smaller and the subject is larger.

2. Loosen the focus ring knob, then turn the ring towards < > or <N> as necessary to obtain the clear video image.

Repeat steps 2 and 3 until the best image is obtained. Once the lens setting is finished, tighten the zoom ring and the focus ring knobs.

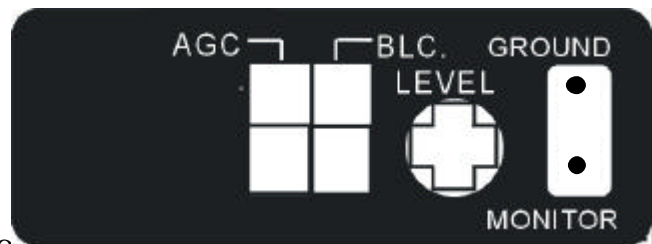


# Adjustments

## Auto Gain Control Adjustment

**AGC ON:** The sensitivity increases automatically when the light is low.

**AGC OFF:** A low-noise picture is obtained under a low light condition.



## Back Light Compensation Adjustment

When the background of the subject is very bright and the subject itself is dark, set the BLC (Back Light Compensation) ON. The BLC will measure the light of the image center and the lens iris will automatically set for optimum image quality.

## Level Volume Control

The iris level of lens can be adjusted by the level control. Turn the level control to the right direction and video images will become brighter; turn the level control to the left direction and the video images will become darker.

## ***EverFocus Electronics Corp.***

### **Head Office:**

12F, No.79 Sec. 1 Shin-Tai Wu Road,  
Hsi-Chi, Taipei, Taiwan  
TEL: +886-2-26982334  
FAX: +886-2-26982380  
[www.everfocus.com.tw](http://www.everfocus.com.tw)

### **USA Office:**

2445 Huntington Drive, San Marino,  
CA 91108, U.S.A.  
TEL: +1-626-844-8888  
FAX: +1-626-844-8838  
[www.everfocus.com](http://www.everfocus.com)

### **Japan Office:**

1809 WBG MARIBU East 18F,  
2-6 Nakase.Mihama-ku.  
Chiba city 261-7118, Japan  
TEL : +81-43-212-8188  
FAX : +81-43-297-0081  
[www.everfocus.com.tw](http://www.everfocus.com.tw)

### **European Office:**

Albert-Einstein-Strasse 1  
D-46446 Emmerich, Germany  
[www.everfocus.de](http://www.everfocus.de)  
TEL: 49-2822-9394-0  
FAX: 49-2822939495

### **Beijing Office:**

Room 609, Technology Trade  
Building,  
Shandgdi Information Industry  
Base,  
Haidian District, Beijing, China  
TEL: +86-10-62971096  
FAX: +86-10-62971432  
[www.everfocus.com.cn](http://www.everfocus.com.cn)

PN:MED3003G0080C

## Free Manuals Download Website

<http://myh66.com>

<http://usermanuals.us>

<http://www.somanuals.com>

<http://www.4manuals.cc>

<http://www.manual-lib.com>

<http://www.404manual.com>

<http://www.luxmanual.com>

<http://aubethermostatmanual.com>

Golf course search by state

<http://golfingnear.com>

Email search by domain

<http://emailbydomain.com>

Auto manuals search

<http://auto.somanuals.com>

TV manuals search

<http://tv.somanuals.com>