



Operation Instructions



1/3" CCD 3-Axis Outdoor IR Dome Camera

EBD430

Operation Instruction

© 2009 EverFocus Electronics Corp

Please read this manual first for correct installation and operation. This manual should be retained for future reference. The information in this manual was current when published. The manufacturer reserves the right to revise and improve its products. All specifications are therefore subject to change without notice.

All rights reserved. No part of the contents of this manual may be reproduced or transmitted in any form or by any means without written permission of the EverFocus Electronics Corporation.

Precautions

1. Do not place any object on top of the cover.
2. Be careful when handling the camera, to prevent any damage do not drop it or subject it to strong shock or vibration. Do not disassemble it or attach it on an unstable base.
3. Install the camera away from TV or radio transmitters, magnets, electric motors, transformers and audio speakers because the magnetic fields generated from these devices may distort the video image.
4. Install the camera away from heaters, or other heat generating devices as the high temperature could cause deformation, discoloration or other damage to the camera. Install the camera at where the temperature range will stay between -40°C to 50°C (-40°F to 122°F).
5. Never aim the camera at the sun or other extremely bright objects whether it is in use or not.
6. Do not touch the surface of CCD sensor directly with your fingers. Use a soft cloth to remove any dirt from the camera body. If necessary, use lens tissue or a cotton tipped applicator and ethanol to clean the CCD sensor and the camera lens. When the camera is not in use, protect the surfaces covering the lens and IR emitters.
7. All warnings on the product and in the operating instructions should be adhered to.
8. Do not use attachments not recommended by the camera manufacturer as they may cause hazards.
9. Do not allow anything to rest on the power cord. Do not locate this device where the cord may be abraded or may cause a hazard by persons walking on it.
10. Do not overload wall outlets and extension cords as this can result in fire or electric shock.
11. Never push objects of any kind into his appliance through cabinet slots as they may touch dangerous voltage points or short out parts that could result in fire, electric shock or damage to the camera.
12. Refer all work related to the installation of this product to qualified service personnel or system installers.

Federal Communication Commission Interference Statement

This equipment has been tested and found to comply with the limits for a Class A digital device, pursuant to Part 15 of the FCC Rules. These limits are designed to provide reasonable protection against harmful interference in a residential installation. This equipment generates, uses and can radiate radio frequency energy and, if not installed and used in accordance with the instructions, may cause harmful interference to radio communications. However, there is no guarantee that interference will not occur in a particular installation. If this equipment does cause harmful interference to radio or television reception, which can be determined by turning the equipment off and on, the user is encouraged to try to correct the interference by one of the following measures:

- Reorient or relocate the receiving antenna.
- Increase the separation between the equipment and receiver.
- Connect the equipment into an outlet on a circuit different from that to which the receiver is connected.
- Consult the dealer or an experienced radio/TV technician for help.

FCC Caution: Any changes or modifications not expressly approved by the party responsible for compliance could void the user's authority to operate this equipment.

This device complies with Part 15 of the FCC Rules. Operation is subject to the following two conditions: (1) This device may not cause harmful interference, and (2) this device must accept any interference received, including interference that may cause undesired operation.

Note: There is a screw located in the focus ring and the zoom ring for waterproofing purposes only. These are NOT set screws!! Please don't loosen or remove them.

Table of Contents

1.Product Overview	5
1.1 Features	5
1.2 Accessory Parts List.....	6
1.3 Specifications	7
1.4 Dimensions.....	8
1.5 Camera Component Description.....	9
1.6 Related Products.....	9
2.Installation	10
2.1 Wiring and Mounting	10
2.2 Adjusting Camera Position	13
2.3 Adjusting Zoom and Focus	14

Chapter 1

1. Product Overview

Equipped with a SONY Super HAD CCD II and removable IR cut filter, the EBD430 produces a clear and sharp picture at night or in low light. The long range IR LEDs illuminate up to 30m/98 feet, which allows EBD430 to capture images in complete darkness. Designed with 3-Axis rotation flexibility, you can easily position the camera at all angles. Moreover, it also provides external adjustment rings for the vari-focal lens focus and zoom, to easily adjust the field of view. This camera is waterproof (IP66) and comes with built-in heater for extreme outdoor applications.

Note: There is a screw located in the focus ring and the zoom ring for waterproofing purposes only. These are NOT set screws!! Please don't loosen or remove them.

1.1 Features

- High sensitivity with SONY Super HAD CCD II
- 520 TVL of excellent high resolution technology
- Up to 30 meters/98 ft. of IR range
- Vari-focal lens to offer you a wide adjustment of field of view
- True Day/Night function with removable IR cut filter
- External control of lens zoom & focus
- 3-Axis rotation for flexible view angle
- Intelligent Variable-frequency IR control saves electricity and balances brightness
- Split glass design to avoid undesired IR light reflection into the lens barrel
- Up to 20,000 hours of high intensity IR LED lifespan
- Vandal resistant design to prevent damage or tampering
- Weatherproof and IP66 rated

1.2 Accessory Parts List



Please be careful when you unpack the box to avoid any damage to the electronic device inside. Check and make sure that you have all the items listed below inside the original box:

Camera Unit x 1

Operation Manual x 1

Installation Template Sticker x 1

Mounting kit includes:

- Long Screw x 4 (for mounting bracket)
- Plastic Anchor x 4
- Hex Key Wrench x 1
- Fixing Screw x 3 (to prevent loosening of base ring)

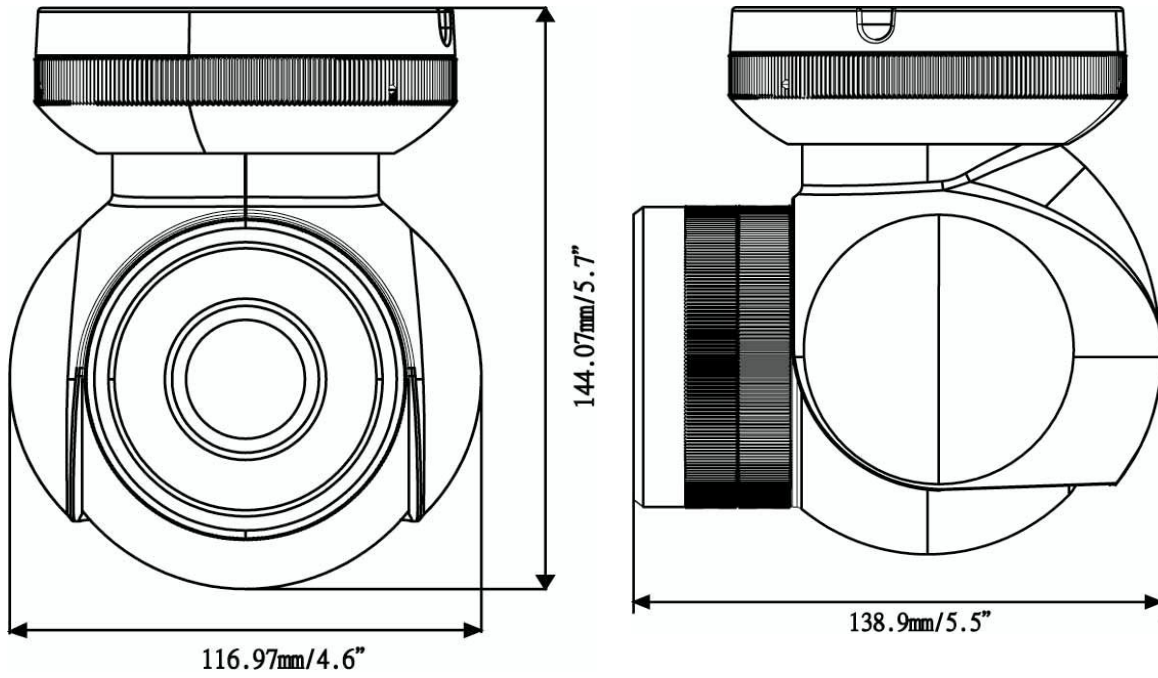
Note: If an item appears to have been damaged in shipment, replace it properly in its carton and notify the shipper. If any items are missing, notify your EverFocus Electronics Corp. Sales Representative or Customer Service. The shipping carton is the safest container in which the unit may be transported. Save it for possible future use.

1.3 Specifications

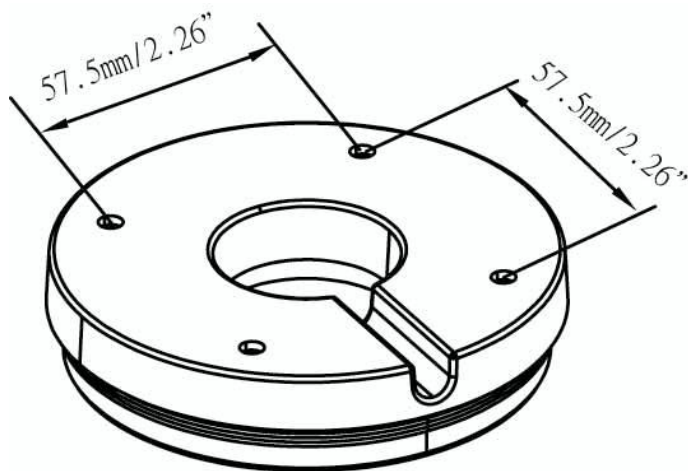
Pickup Device	1/3" SONY Super HAD CCD II
Video Format	NTSC or PAL
Scanning System	NTSC: 525 TVL, 60 fields/sec. PAL: 625 TVL, 50 fields/sec.
Picture Elements	768 x 494(NTSC) ; 752 x 582 (PAL)
Horizontal Resolution	520 TV Lines
Sensitivity	0.08 Lux / F=1.2(IR Off), 0 Lux (IR On)
S/N Ratio	Over 48 dB (AGC Off)
Electronic Shutter	1/50 (1/60) ~ 1/100,000
Lens Type	Vari-focal lens: f=2.9~10mm, f=9~22mm
Back Light Comp.	Yes
Auto Gain Control	Yes
Auto White Balance	Yes (2500°K ~9000°K)
True Day/Night	Yes
Gamma Correction	0.45
Video Output	BNC 1.0Vp-p, 75ohm
Sync. Mode	Internal Sync.
IR LED Lifespan	20,000 hours
Power Source	12VDC/24VAC
Power Consumption	12VDC:9W max. (Heater ON & IR LED ON) 24VAC:9.5W max. (Heater ON &IR LED ON)
Dimensions	116.97mm(W) x 144.07mm(H) x 138.9mm(D) ; 4.6"(W) x5.7"(H) x 5.5"(D)
Weight	1.15kg/2.54lbs
Operating Temperature	-40°C to +50°C ; -40°F to 122°F (20%~80% Humidity)
IR Distance	30M / 98 ft.
IR Wavelength	850nm
Vandal Resistant	Yes
Weatherproof	IP66
Certifications	FCC/CE

1.4 Dimensions

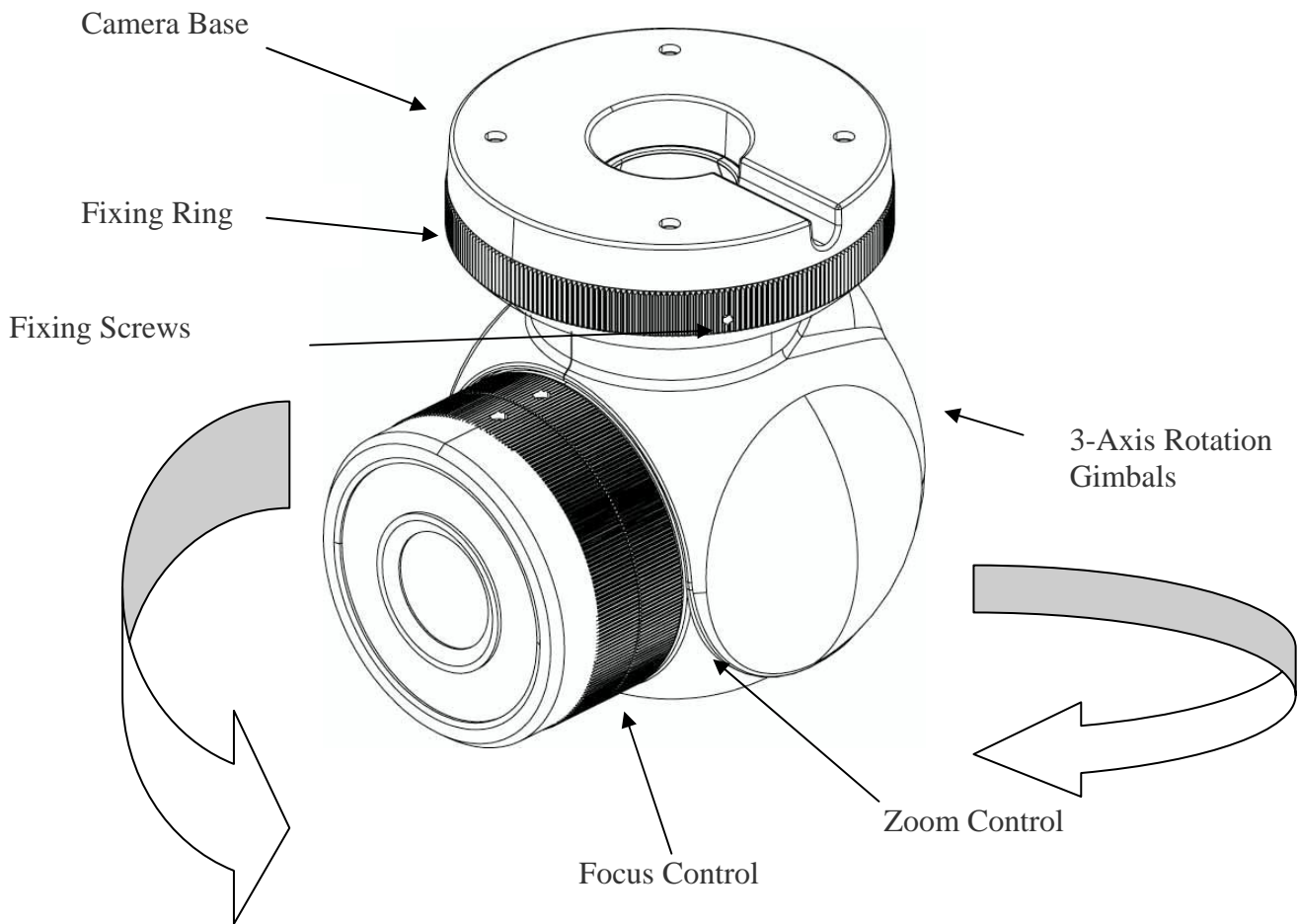
116.97mm(W) x 144.07mm(H) x 138.9mm(D) / 4.6"(W) x 5.7"(H) x 5.5"(D)



Dimension between holes center to center



1.5 Camera Component Description



1.6 Related Products

L Type Bracket

Recommended for outdoor installation to protect and tamper-proof the wiring.



2. Installation

This chapter will describe, in general terms, how to install the EBD430 camera.

STEPS:

1. Wire and mount the camera, See 2.1
2. Adjust the camera position, See 2.2
3. Adjust focus and zoom, See 2.3

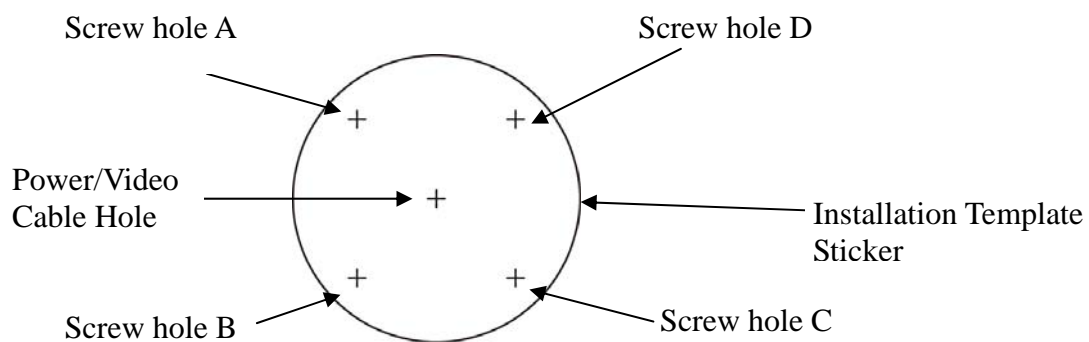
Warning

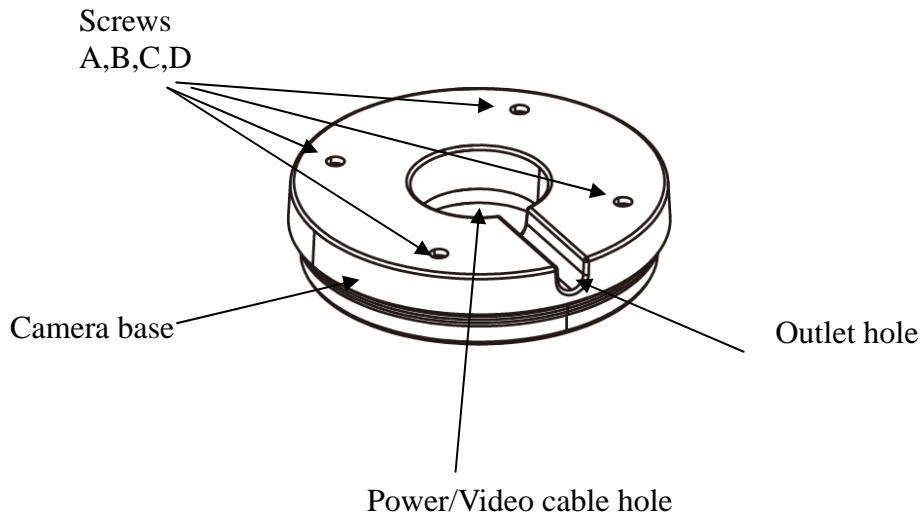
- To prevent electrical shock, turn off the electrical power before making electrical connections.
- Do not expose the appliance to water or moisture, nor try to operate it in wet areas.

2.1 Wiring and Mounting

2.1.1 Drill the Holes

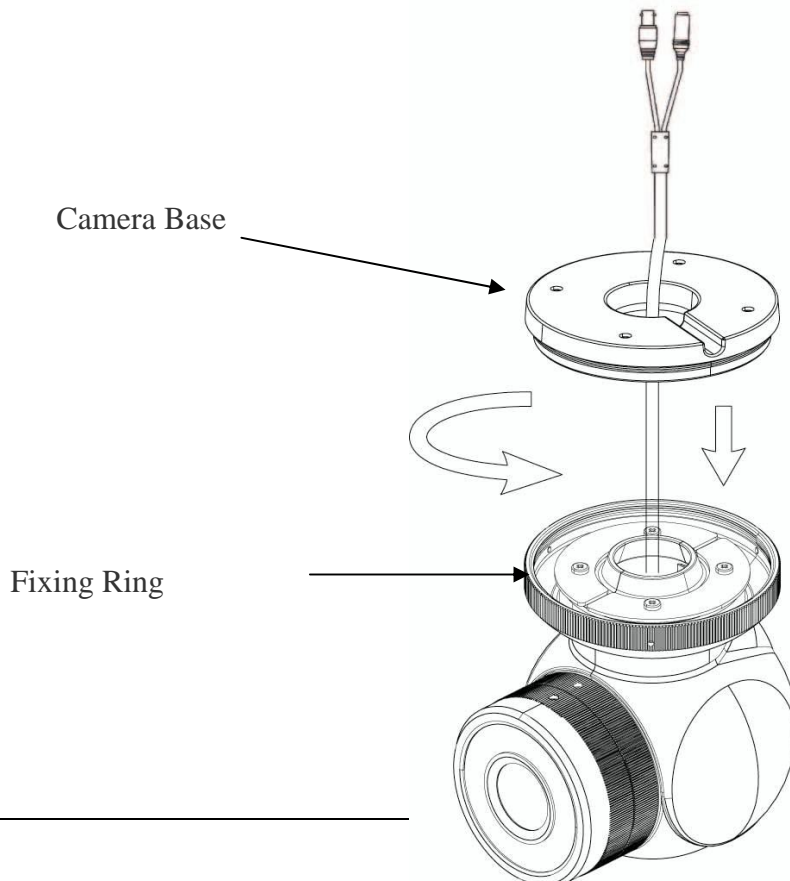
1. Paste the installation template sticker on the ceiling or wall
2. Drill 5 holes, 4 for screws A,B,C and D,
1 for the power/video cable.





2.1.2 Mounting

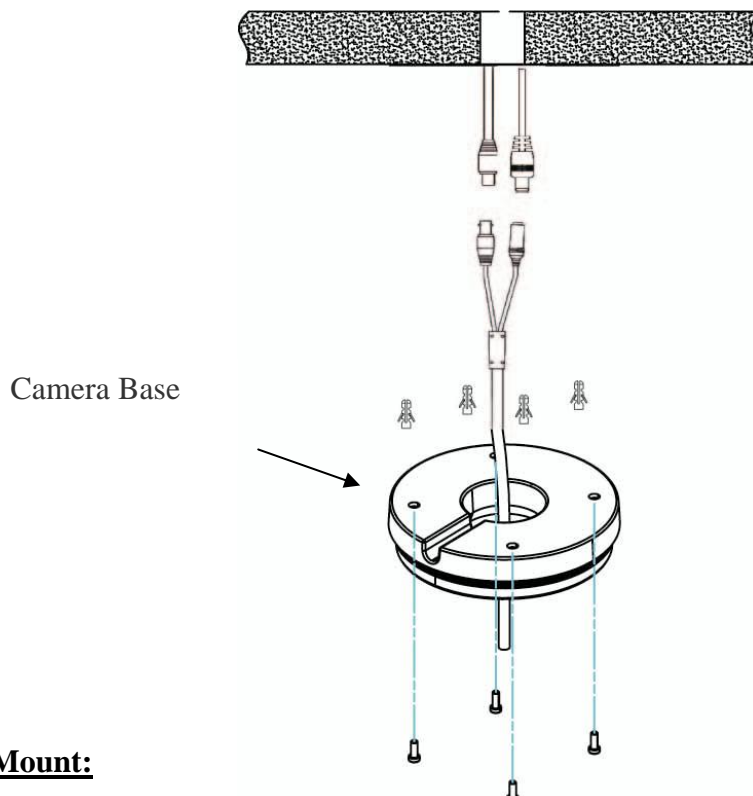
1. Remove the camera base from the fixing ring by turning the ring it counter clockwise.
2. Fix the camera base to the ceiling or wall by using the 4 screws provided.
3. Extend the cables to be connected to power and video through the ceiling or wall.
4. Reattach the camera to the base by turning the fixing ring clockwise.



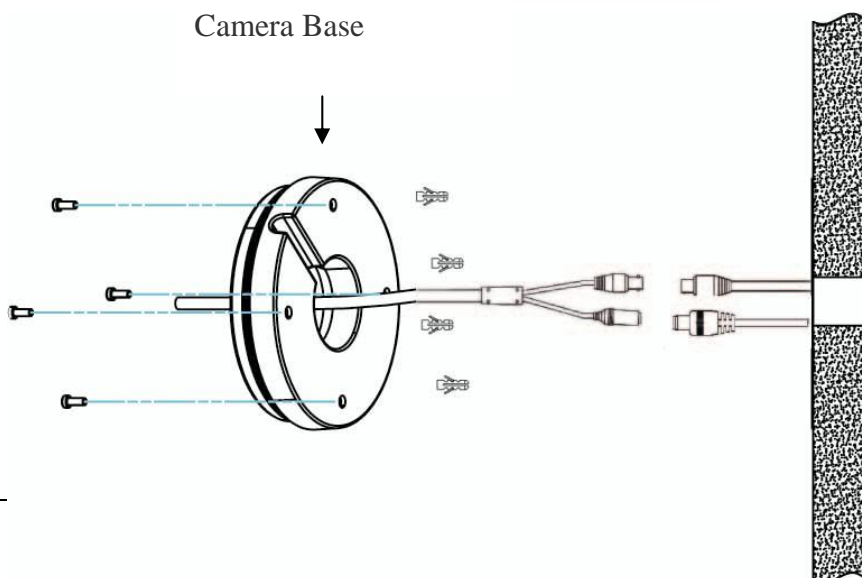
Warning

- To prevent electrical shock, turn off the electrical power before making electrical connections.
- Do not connect high voltage power to the camera. It may damage the camera.
- Do not short circuit the power leads or expose the wires when connecting the power supply to the camera.

Ceiling Mount:

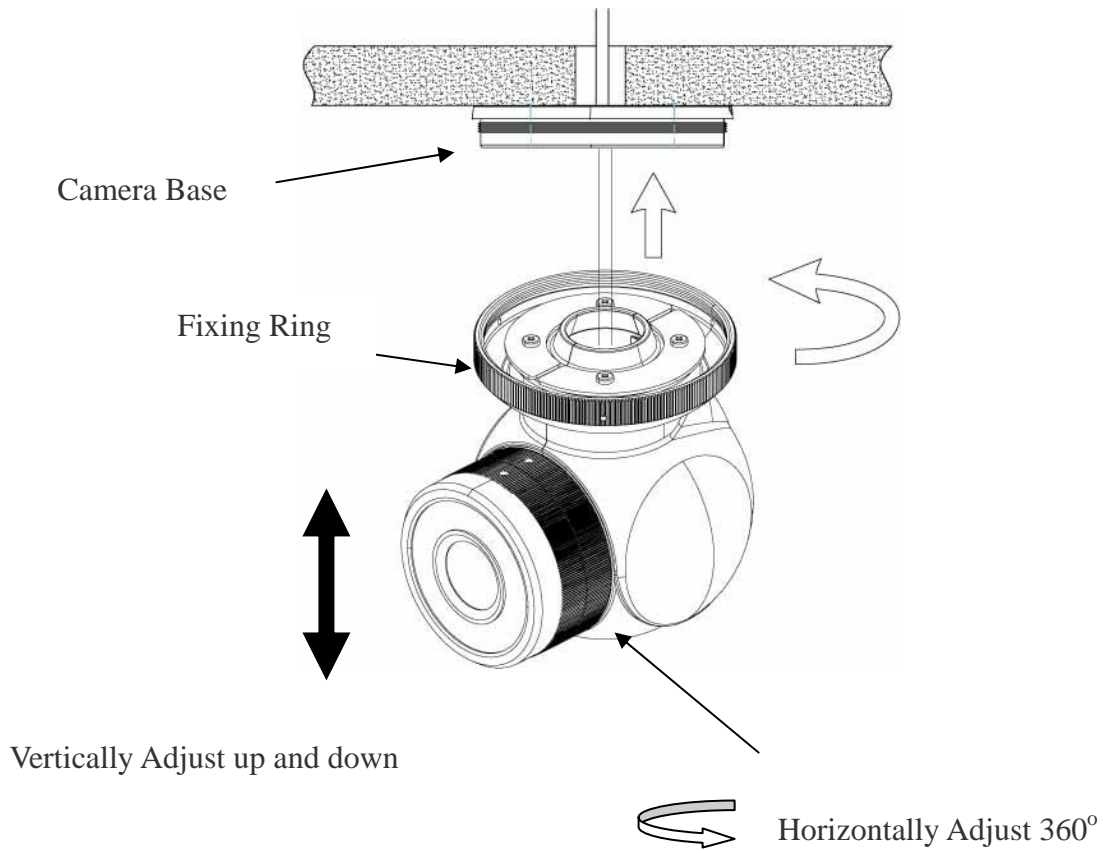


Wall Mount:

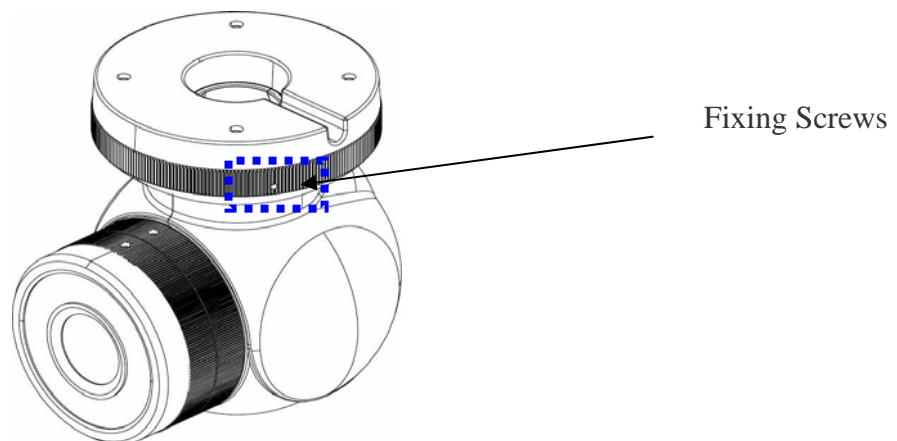


2.2 Adjusting Camera Position

1. Attach the fixing ring with the dome body to the camera base by turning it clockwise. Please do tighten it to camera base at this step, so that you can aim the camera.
2. Adjust the direction of the camera to get the direction of view you want.
3. Twist the fixing ring clockwise tightly to lock it to the camera base.



4. Tighten fixing screws.

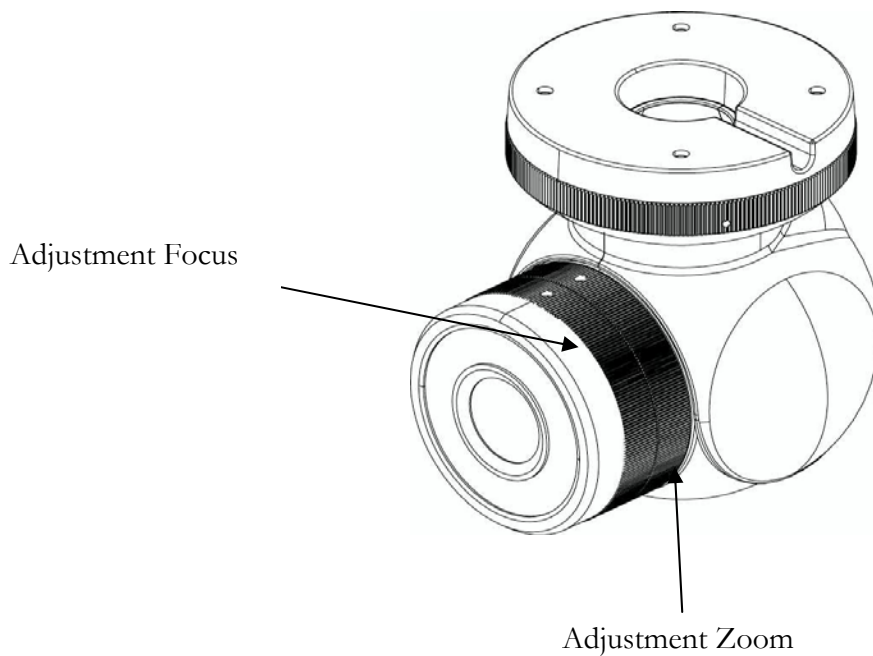


2.3 Adjusting Zoom and Focus

There are two rings for adjusting focus and zoom.

1. Adjust the outer ring to the right and left to adjust focus
2. Adjust the inner ring to the right and left to zoom in or zoom out.

Note: There is a screw located in the focus ring and the zoom ring for waterproofing purposes only. These are NOT set screws!! Please don't loosen or remove them.



EverFocus Electronics Corp.

Head Office:

12F, No.79 Sec. 1 Shin-Tai Wu Road,
Hsi-Chih, Taipei, Taiwan
TEL: +886-2-26982334
FAX: +886-2-26982380
www.everfocus.com.tw

USA L.A. Office:

1801 Highland Ave. Unit A
Duarte, CA 91010, U.S.A.
TEL: +1-626-844-8888
FAX: +1-626-844-8838
www.everfocus.com

USA N.Y. Office:

415 Oser Avenue Unit S
Hauppauge, NY 11788
TEL: +1-631-436-5070
FAX: +1-631-436-5027
www.everfocus.com

Europe Office:

Albert-Einstein-Strasse 1
D-46446 Emmerich, Germany
TEL: +49-2822-9394-0
FAX: +49-2822-939495
www.everfocus.de

China Office:

Room 609, Technology Trade
Building, Shangdi Information Industry
Base, Haidian District, Beijing, China
100085
TEL: +86-10-62973336/37/38/39
FAX: +86-10-62971423
www.everfocus.com.cn

Japan Office:

1809 WBG MARIBU East 18F,
2-6 Nakase, Mihama-ku,
Chiba city 261-7118, Japan
TEL: +81-43-212-8188
FAX: +81-43-297-0081
www.everfocus.co.jp



Your EverFocus product is designed and manufactured with high quality materials and components which can be recycled and reused.
This symbol means that electrical and electronic equipment, at their end-of-life, should be disposed of separately from your household waste.
Please, dispose of this equipment at your local community waste collection/recycling centre.
In the European Union there are separate collection systems for used electrical and electronic product.
Please, help us to conserve the environment we live in!

Ihr EverFocus Produkt wurde entwickelt und hergestellt mit qualitativ hochwertigen Materialien und Komponenten, die recycelt und wieder verwendet werden können.
Dieses Symbol bedeutet, dass elektrische und elektronische Geräte am Ende ihrer Nutzungsdauer vom Hausmüll getrennt entsorgt werden sollen.
Bitte entsorgen Sie dieses Gerät bei Ihrer örtlichen kommunalen Sammelstelle oder im Recycling Centre.
Helfen Sie uns bitte, die Umwelt zu erhalten, in der wir leben!



P/N: MEBDG01700VerA

Free Manuals Download Website

<http://myh66.com>

<http://usermanuals.us>

<http://www.somanuals.com>

<http://www.4manuals.cc>

<http://www.manual-lib.com>

<http://www.404manual.com>

<http://www.luxmanual.com>

<http://aubethermostatmanual.com>

Golf course search by state

<http://golfingnear.com>

Email search by domain

<http://emailbydomain.com>

Auto manuals search

<http://auto.somanuals.com>

TV manuals search

<http://tv.somanuals.com>