

DEWALT®

www.**DEWALT**.eu

D25960
D25961

Figure 1

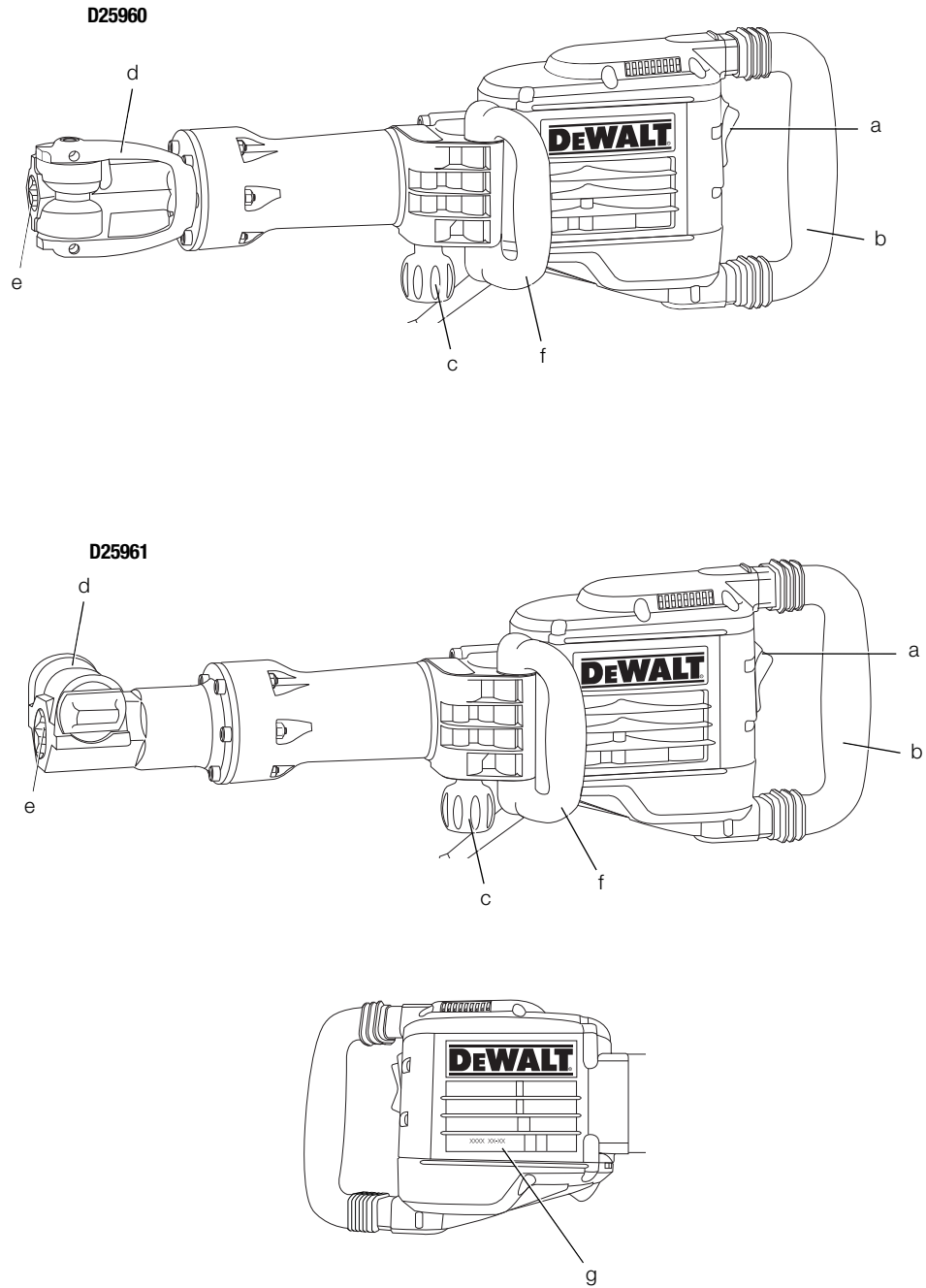


Figure 2A

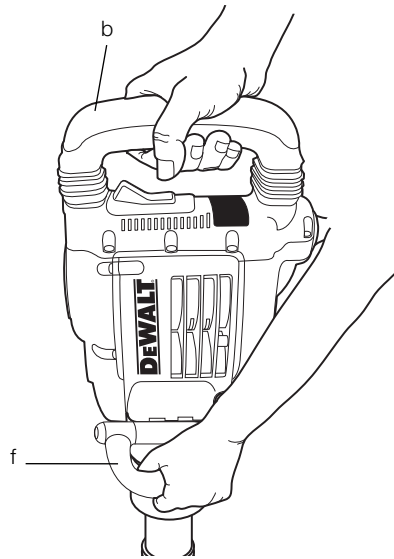


Figure 2B

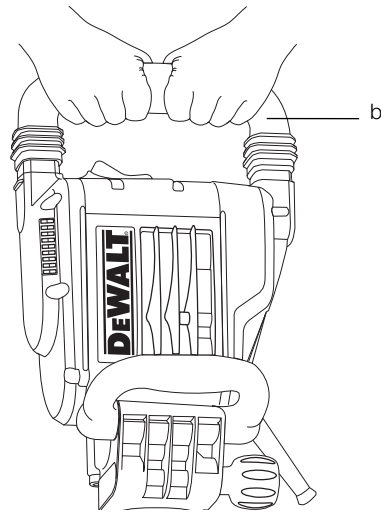


Figure 3

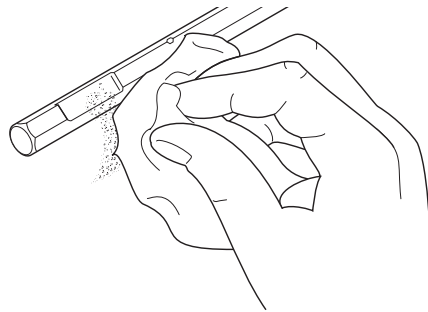


Figure 4A

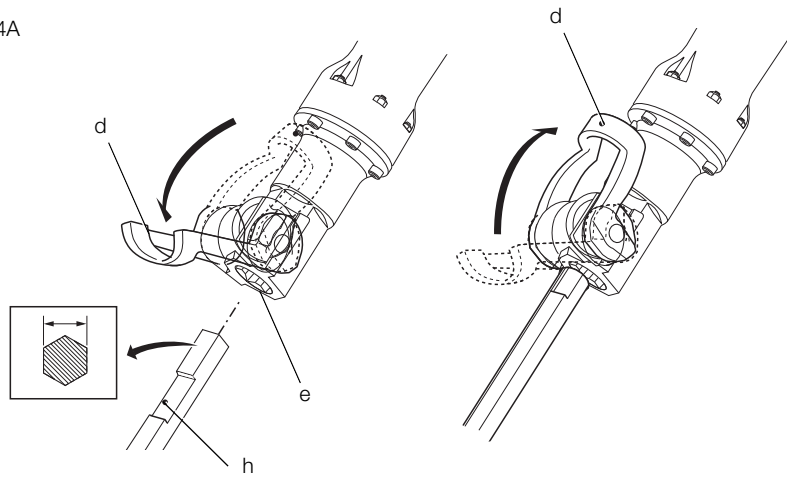


Figure 4B

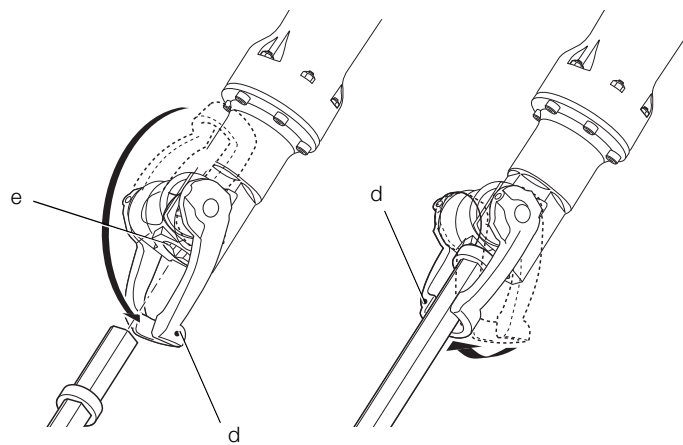


Figure 4C

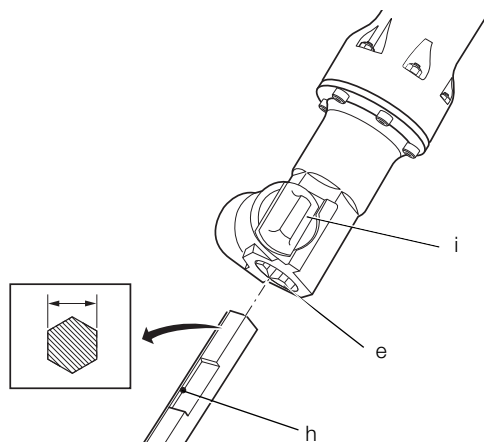


Figure 5

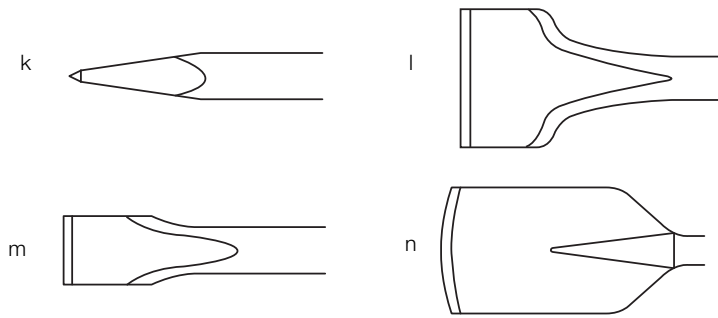
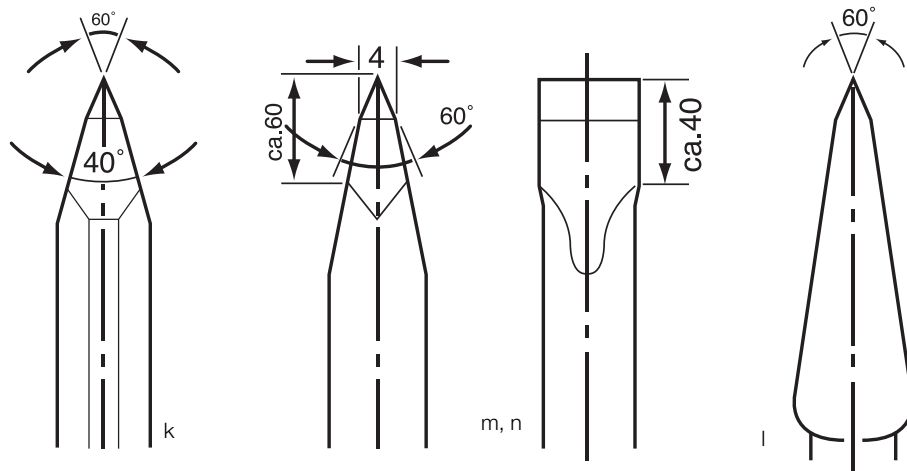


Figure 5



DEMOLITION HAMMER D25960, D25961

Congratulations!

You have chosen a DEWALT power tool. Years of experience, thorough product development and innovation make DEWALT one of the most reliable partners for professional power tool users.

Technical Data

		D25960	D25961
Voltage	V	230	230
U.K. & Ireland only	V	230/115	230/115
Type		1	1
Frequency	Hz	50	50
Power input	W	1600	1600
Impact rate	min ⁻¹	1450	1450
Impact energy (EPTA 05/2009)	J	35	35
Tool holder		28 mm Hex	30 mm Hex
Chisel positions		1	1
Weight	kg	18.4	16.9
<hr/>			
L _{PA} (sound pressure)	dB(A)	91	91
K _{PA} (sound pressure uncertainty)	dB(A)	3.0	3.0
L _{WA} (sound power)	dB(A)	102	102
K _{WA} (sound pressure uncertainty)	dB(A)	3.0	3.0

Vibration total values (triax vector sum) determined according to EN 60745:

Chiselling

Vibration emission value $a_{h, Cheq}$

hand position:

one handle on main handle

and one hand on side handle = m/s² 6.8 6.8

both hands on main handle = m/s² 4.5 4.5

Uncertainty K = m/s² 1.5 1.5

The vibration emission level given in this information sheet has been measured in accordance with a standardised test given in EN 60745 and may be used to compare one tool with another. It may be used for a preliminary assessment of exposure.



WARNING: The declared vibration emission level represents the main applications of the tool. However if the tool is used for different applications, with different accessories or poorly maintained, the vibration emission may differ. This may significantly increase the exposure level over the total working period.

An estimation of the level of exposure to vibration should also take into account the times when the tool is switched off or when it is running but not actually doing the job. This may significantly reduce the exposure level over the total working period.

Identify additional safety measures to protect the operator from the effects of vibration such as: maintain the tool and the accessories, keep the hands warm, organisation of work patterns.

Fuses:

Europe	230 V tools	10 Amperes, mains
U.K. & Ireland	230 V tools	13 Amperes, in plugs

the power tool. Keep cord away from heat, oil, sharp edges or moving parts. Damaged or entangled cords increase the risk of electric shock.

- e) **When operating a power tool outdoors, use an extension cord suitable for outdoor use.** *Use of a cord suitable for outdoor use reduces the risk of electric shock.*
- f) **If operating a power tool in a damp location is unavoidable, use a residual current device (RCD) protected supply.** *Use of an RCD reduces the risk of electric shock.*

3) PERSONAL SAFETY

- a) **Stay alert, watch what you are doing and use common sense when operating a power tool. Do not use a power tool while you are tired or under the influence of drugs, alcohol or medication.** *A moment of inattention while operating power tools may result in serious personal injury.*
- b) **Use personal protective equipment. Always wear eye protection.** *Protective equipment such as dust mask, non-skid safety shoes, hard hat, or hearing protection used for appropriate conditions will reduce personal injuries.*
- c) **Prevent unintentional starting. Ensure the switch is in the off position before connecting to power source and/or battery pack, picking up or carrying the tool.** *Carrying power tools with your finger on the switch or energising power tools that have the switch on invites accidents.*
- d) **Remove any adjusting key or wrench before turning the power tool on.** *A wrench or a key left attached to a rotating part of the power tool may result in personal injury.*
- e) **Do not overreach. Keep proper footing and balance at all times.** *This enables better control of the power tool in unexpected situations.*
- f) **Dress properly. Do not wear loose clothing or jewellery. Keep your hair, clothing and gloves away from moving parts.** *Loose clothes, jewellery or long hair can be caught in moving parts.*
- g) **If devices are provided for the connection of dust extraction and collection facilities, ensure these are connected and properly used.** *Use of dust collection can reduce dust-related hazards.*

4) POWER TOOL USE AND CARE

- a) **Do not force the power tool. Use the correct power tool for your application.** *The correct power tool will do the job better and safer at the rate for which it was designed.*
- b) **Do not use the power tool if the switch does not turn it on and off.** *Any power tool that cannot be controlled with the switch is dangerous and must be repaired.*
- c) **Disconnect the plug from the power source and/or the battery pack from the power tool before making any adjustments, changing accessories, or storing power tools.** *Such preventive safety measures reduce the risk of starting the power tool accidentally.*
- d) **Store idle power tools out of the reach of children and do not allow persons unfamiliar with the power tool or these instructions to operate the power tool.** *Power tools are dangerous in the hands of untrained users.*
- e) **Maintain power tools. Check for misalignment or binding of moving parts, breakage of parts and any other condition that may affect the power tool's operation. If damaged, have the power tool repaired before use.** *Many accidents are caused by poorly maintained power tools.*
- f) **Keep cutting tools sharp and clean.** *Properly maintained cutting tools with sharp cutting edges are less likely to bind and are easier to control.*
- g) **Use the power tool, accessories and tool bits etc., in accordance with these instructions taking into account the working conditions and the work to be performed.** *Use of the power tool for operations different from those intended could result in a hazardous situation.*

5) SERVICE

- a) **Have your power tool serviced by a qualified repair person using only identical replacement parts.** *This will ensure that the safety of the power tool is maintained.*

Additional Safety Instructions for Demolition Hammers

- **Wear ear protectors.** *Exposure to noise can cause hearing loss.*
- **Use auxiliary handles supplied with the tool.** *Loss of control can cause personal injury.*

ENGLISH

- **Hold power tools by insulated gripping surfaces when performing an operation where the cutting tool may contact hidden wiring or its own cord.** Cutting accessory contacting a "live" wire may make exposed metal parts of the tool "live" and shock the operator.
- **Be certain that the material being drilled does not conceal electric or gas service and that their locations have been verified with the utility companies.**
- **Keep a firm grip on the tool at all times. Do not attempt to operate this tool without holding it with both hands. Operating this tool with one hand will result in loss of control. Breaking through or encountering hard materials such as re-bar may be hazardous as well. Tighten the side handle securely before use.**
- **Ensure the chisel is secured in place before operating the tool.**
- **In cold-weather conditions or when the tool has not been used for a longer period of time, let the tool run with no load for several minutes before use.**
- **When working above ground level ensure the area below is clear.**
- **Do not touch the chisel or the parts close to the chisel immediately after operation, as they may be extremely hot and cause burns to the skin.**
- **Always direct the power cable to the rear, away from the chisel.**
- **Do not operate this tool for long periods of time.** Vibration caused by hammer action may be harmful to your hands and arms. Use gloves to provide extra cushion and limit exposure by taking frequent rest periods.

Residual Risks

The following risks are inherent to the use of demolition hammers:

- Injuries caused by touching the hot parts of the tool.

In spite of the application of the relevant safety regulations and the implementation of safety devices, certain residual risks cannot be avoided. These are:

- Impairment of hearing.
- Risk of squeezing fingers when changing the accessory.
- Health hazards caused by breathing dust developed when working in concrete and/or masonry.

Markings on Tool

The following pictograms are shown on the tool:



Read instruction manual before use.



Wear ear protection.



Wear eye protection.

DATE CODE POSITION (FIG. 1)

The Date Code (g), which also includes the year of manufacture, is printed into the housing.

Example:

2011 XX XX

Year of Manufacture

Package Contents

The package contains:

- 1 Demolition hammer
- 1 Side handle
- 1 Pointed chisel
- 1 Plastic case
- 1 Instruction manual
- 1 Exploded drawing

- Check for damage to the tool, parts or accessories which may have occurred during transport.
- Take the time to thoroughly read and understand this manual prior to operation.

Description (fig. 1)

- a. On/off switch
- b. Main handle
- c. Side handle clamping knob
- d. Tool retainer
- e. Tool holder
- f. Side handle

INTENDED USE

The D25960, D25961 heavy-duty demolition hammers are designed for heavy-duty demolition and breaking applications.

DO NOT use under wet conditions or in presence of flammable liquids or gases.

These heavy-duty demolition hammers are professional power tools.

DO NOT let children come into contact with the tool. Supervision is required when inexperienced operators use this tool.

Active Vibration Control

The active vibration control neutralises rebound vibration from the hammer mechanism. Lowering hand and arm vibration, it allows more comfortable use for longer periods of time and extends the life of the unit.

Electrical Safety

The electric motor has been designed for one voltage only. Always check that the power supply corresponds to the voltage on the rating plate.



Your DEWALT tool is double insulated in accordance with EN 60745; therefore no earth wire is required.

If the supply cord is damaged, it must be replaced by a specially prepared cord available through the DEWALT service organization.

Mains Plug Replacement (U.K. & Ireland Only)

If a new mains plug needs to be fitted:

- Safely dispose of the old plug.
- Connect the brown lead to the live terminal in the plug.
- Connect the blue lead to the neutral terminal.



WARNING: No connection is to be made to the earth terminal.

Follow the fitting instructions supplied with good quality plugs. Recommended fuse: 13 A.

For 115 V units with a power rating exceeding 1500 W, we recommend to fit a plug to BS4343 standard.



WARNING: 115 V units have to be operated via a fail-safe isolating transformer with an earth screen between the primary and secondary winding.

Using an Extension Cable

If an extension cable is required, use an approved 3-core extension cable suitable for the power input of this tool (see technical data). The minimum conductor size is 1.5 mm²; the maximum length is 30 m.

When using a cable reel, always unwind the cable completely.

ASSEMBLY AND ADJUSTMENT



WARNING: To reduce the risk of injury, turn unit off and disconnect machine from power source before installing and removing accessories, before adjusting or changing set-ups or when making repairs. Be sure the trigger switch is in the OFF position. An accidental start-up can cause injury.



WARNING: Always wear gloves when changing accessories. The exposed metal parts on the tool and accessory may become extremely hot during operation.

Inserting and Removing 28/30 mm Hex Accessories (fig. 3, 4)

D25960

This machine uses chisels with a 28 mm hex shank.

D25961

This machine uses chisels with a 30 mm hex shank.

Only DEWALT recommended accessories should be used with this product.

1. Clean the chisel shank (Fig. 3).

D25960

TO FIT A CHISEL WITH GROOVE IN THE SHANK (FIG. 4A)

1. Pull the tool retainer (d) to the unlock position.
2. Hold the chisel in front of the tool holder with the groove (h) facing upwards.
3. Insert the chisel shank into the tool holder (e).
4. Push the retainer (d) backwards to lock the accessory in position.
5. Pull on the chisel to check if it is properly locked. The hammering function requires the chisel to be able to move axially several centimetres when locked in the tool holder.
6. To remove a chisel pull back the retainer (d) and pull the chisel out of the tool holder (e).

TO FIT A CHISEL WITH COLLAR ON THE SHANK (FIG. 4B)

1. Pull the tool retainer (d) to the unlock position.
2. Insert the chisel shank into the tool holder (e).
3. Push the retainer (d) in line with the accessory shank to lock the accessory in position.
4. Pull on the chisel to check if it is properly locked. The hammering function requires the chisel to be able to move axially several centimetres when locked in the tool holder.

ENGLISH

5. To remove a chisel pull back the retainer (d) and pull the chisel out of the tool holder (e).

D25961

TO FIT A CHISEL WITH GROOVE IN THE SHANK (FIG. 4C)

1. Pull the retainer bolt (i) and turn it by 180° to the unlock position.
2. Hold the chisel in front of the tool holder with the groove (h) facing upwards.
3. Insert the chisel shank into the tool holder (e).
4. Pull the retainer bolt (i) and turn it by 180° back to the lock position.
5. Pull on the chisel to check if it is properly locked. The hammering function requires the chisel to be able to move axially several centimetres when locked in the tool holder.
6. To remove a chisel pull the retainer bolt (i) and turn it by 180° to the unlock position.

Adjusting the Side Handle (fig. 1)

The side handle (f) is assembled on the machine to suit both right- and left-hand users.



WARNING: Always operate the machine with the side handle properly mounted.

1. Loosen the clamp knob (c) and rotate the side handle to the desired position.
2. Lock the side handle in place by tightening the clamp knob (c).

OPERATION

Instructions for Use



WARNING:

- Always observe the safety instructions and applicable regulations.
- Be aware of the location of pipework and wiring.
- Apply a pressure of approx. 20 - 30 kg to the tool. Excessive force does not speed up chiselling but decreases tool performance and may shorten tool life.

Proper Hand Position (fig. 2)



WARNING: To reduce the risk of serious personal injury, **ALWAYS** use proper hand position as shown.



WARNING: To reduce the risk of serious personal injury, **ALWAYS** hold securely in anticipation of a sudden reaction.

IMPORTANT: The tool must be held with two hands at all times when in use.

Horizontal applications (fig. 2A):

Proper hand position requires one hand on the side handle (f) and the other hand on the main handle (b).

Vertical applications (fig. 2B):

Proper hand position requires both hands on the main handle (b).

Switching On and Off (fig. 1)

Switching on: set the on/off switch (a) to position 1.

Switching off: set the on/off switch (a) to position 0.

Demolition, Chasing and Channelling (fig. 1, 2)

1. Select the appropriate chisel, and clean its shank.
2. Insert the chisel and check whether it is properly locked.
3. Fit and adjust the side handle (f) and make sure it is firmly tightened.
4. Hold the tool with two hands on the main handle (b) or one hand on the main handle (b) and one hand on the side handle (f). The tool must be held with two hands at all times when in use. Refer to **Proper Hand Position**.
5. Switch on tool to run in continuous operation.
6. Always switch off the tool when work is finished and before unplugging.

Various types of chisels are available as an option.

Only DEWALT recommended accessories should be used with this product.

MAINTENANCE

Your DEWALT power tool has been designed to operate over a long period of time with a minimum of maintenance. Continuous satisfactory operation depends upon proper tool care and regular cleaning.

This machine is not user-serviceable. Take the tool to an authorised DEWALT repair agent periodically. If problems occur before this time contact an authorised DEWALT repair agent.

Accessory Maintenance (fig. 5, 6)



WARNING: These chisels can be reground only a limited number of times. If in doubt, contact your dealer for recommendations.



WARNING: Ensure that the cutting edge does not show discolouration caused by too much pressure. This may impair the hardness of the accessory.

For the best results only use sharp chisel bits. Sharpening chisel bits frequently will guarantee long life of the chisel bits and the best performance results.

GRINDING

Refer to figure 5 for the types of chisels to use with this tool.

Grind the chisels on grinding discs with continuous water flow. Refer to figure 6 for the appropriate angles of the following chisels:

- k. pointed chisel
- l. flat chisel
- m. wide scaling chisel
- n. clay spade

FORGING

For forging:

Heat the chisel to 850–1050°C (light red–yellow).

To harden the chisel again:

- Heat the chisel to 900°C and quench it in oil.
- Then place the chisel into the oven for 1 hour at 320°C (color is light blue).



Lubrication

Your power tool requires no additional lubrication.



Cleaning



WARNING: Blow dirt and dust out of the main housing with dry air as often as dirt is seen collecting in and around the air vents. Wear eye protection when performing this procedure.



WARNING: Never use solvents or other harsh chemicals for cleaning the non-metallic parts of the tool. These chemicals may weaken the materials used in these parts. Use a cloth dampened only with water and mild soap. Never let any liquid get inside the tool; never immerse any part of the tool into a liquid.

Optional Accessories



WARNING: Since accessories, other than those offered by DEWALT, have not been tested with this product, use of such accessories with this tool could be hazardous. To reduce the risk of injury, only DEWALT recommended accessories should be used with this product.

Consult your dealer for further information on the appropriate accessories.

Protecting the Environment



Separate collection. This product must not be disposed of with normal household waste.



Should you find one day that your DEWALT product needs replacement, or if it is of no further use to you, do not dispose of it with household waste. Make this product available for separate collection.



Separate collection of used products and packaging allows materials to be recycled and used again. Re-use of recycled materials helps prevent environmental pollution and reduces the demand for raw materials.

Local regulations may provide for separate collection of electrical products from the household, at municipal waste sites or by the retailer when you purchase a new product.

DEWALT provides a facility for the collection and recycling of DEWALT products once they have reached the end of their working life. To take advantage of this service please return your product to any authorised repair agent who will collect them on our behalf.

You can check the location of your nearest authorised repair agent by contacting your local DEWALT office at the address indicated in this manual. Alternatively, a list of authorised DEWALT repair agents and full details of our after-sales service and contacts are available on the Internet at: www.2helpU.com.

GUARANTEE

DEWALT is confident of the quality of its products and offers an outstanding guarantee for professional users of the product. This guarantee statement is in addition to and in no way prejudices your contractual rights as a professional user or your statutory rights as a private non-professional user. The guarantee is valid within the territories of the Member States of the European Union and the European Free Trade Area.

• 30 DAY NO RISK SATISFACTION GUARANTEE •

If you are not completely satisfied with the performance of your DEWALT tool, simply return it within 30 days, complete with all original components, as purchased, to the point of purchase, for a full refund or exchange. The product must have been subject to fair wear and tear and proof of purchase must be produced.

• ONE YEAR FREE SERVICE CONTRACT •

If you need maintenance or service for your DEWALT tool, in the 12 months following purchase, you are entitled to one service free of charge. It will be undertaken free of charge at an authorised DEWALT repair agent. Proof of purchase must be produced. Includes labour. Excludes accessories and spare parts unless failed under warranty.

• ONE YEAR FULL WARRANTY •

If your DEWALT product becomes defective due to faulty materials or workmanship within 12 months from the date of purchase, DEWALT guarantees to replace all defective parts free of charge or – at our discretion – replace the unit free of charge provided that:

- The product has not been misused;
- The product has been subject to fair wear and tear;
- Repairs have not been attempted by unauthorised persons;
- Proof of purchase is produced;
- The product is returned complete with all original components.

If you wish to make a claim, contact your seller or check the location of your nearest authorised DEWALT repair agent in the DEWALT catalogue or contact your DEWALT office at the address indicated in this manual. A list of authorised DEWALT repair agents and full details of our after-sales service is available on the Internet at: www.2helpU.com.

Free Manuals Download Website

<http://myh66.com>

<http://usermanuals.us>

<http://www.somanuals.com>

<http://www.4manuals.cc>

<http://www.manual-lib.com>

<http://www.404manual.com>

<http://www.luxmanual.com>

<http://aubethermostatmanual.com>

Golf course search by state

<http://golfingnear.com>

Email search by domain

<http://emailbydomain.com>

Auto manuals search

<http://auto.somanuals.com>

TV manuals search

<http://tv.somanuals.com>