

*If you have questions or comments, contact us.  
Pour toute question ou tout commentaire, nous contacter.  
Si tiene dudas o comentarios, contáctenos.*

**1-800-4-DEWALT • [www.dewalt.com](http://www.dewalt.com)**

**INSTRUCTION MANUAL  
GUIDE D'UTILISATION  
MANUAL DE INSTRUCCIONES**

INSTRUCTIVO DE OPERACIÓN, CENTROS DE SERVICIO Y PÓLIZA DE GARANTÍA. **ADVERTENCIA:** LÉASE ESTE INSTRUCTIVO ANTES DE USAR EL PRODUCTO.

---

# DEWALT®

---

**D55167  
Oil-Free Portable Air Compressor  
Compresseur d'air portatif sans huile  
Compresor de aire sin aceite portátil**

## D55167 Air Compressor

- |                             |  |
|-----------------------------|--|
| A. Auto(I)/Off(O) Switch    | F. Check Valve                         |
| B. Air Tank Pressure Gauge  | G. Safety Valve                        |
| C. Regulated Pressure Gauge | H. Air Tank Drain Valve<br>(not shown) |
| D. Regulator                | I. Pressure Switch                     |
| E. Quick Connect            | J. Air Intake Filter                   |

### Pump/Motor Specifications

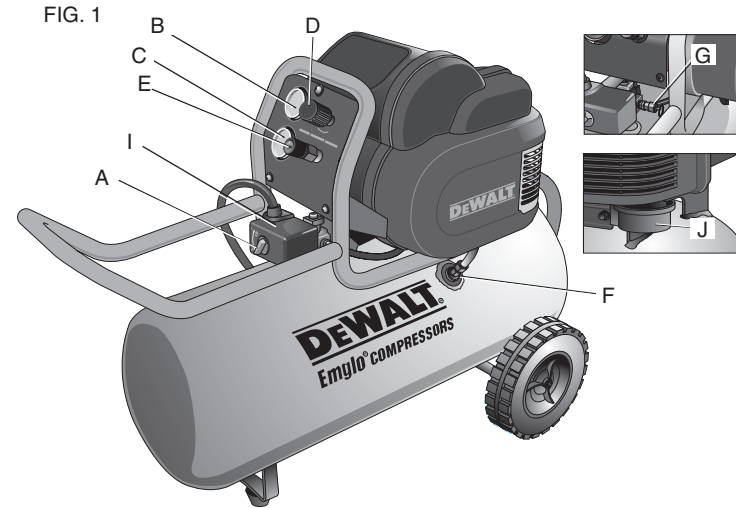
Voltage: Single Phase 120V

Minimum branch circuit requirement: 15 A

Fuse Type: Time delay

### Specifications

MODEL	D55167
WEIGHT	85 lbs. (38.6 kg)
HEIGHT	27.5" (698.5 mm)
WIDTH	18.0" (457.2 mm)
LENGTH	21.25" (539.8 mm)
AIR TANK CAPACITY	15 gallons (56.8 liters)
APPROX CUT-IN PRESSURE	160 psi
APPROX. CUT-OUT PRESSURE	200 psi
SCFM @ 90 PSI	4.8 *
NOISE LEVEL	79 dBA †
*Tested per ISO 1217:1996	
†Tested per ISO 3744:1994	



### Declared Noise Emission Values per ISO 3744

#### Noise Emission Values

Sound Pressure Level:	LpA = 79.0 dBA re 20 $\mu$ PA
Uncertainty in the Sound Pressure Level:	KpA = 3.0 dBA re 20 $\mu$ PA
Sound Power Level:	LwA = 93.0 dBA re 1 pw
Uncertainty in the Sound Power Level:	KwA = 3.0 dBA re 1 pw

The sum of the emission value and the uncertainty is the limit below which there is a 95% confidence the value of a single tool will lie below when the tool is new.

## Definitions: Safety Guidelines

The definitions below describe the level of severity for each signal word. Please read the manual and pay attention to these symbols.

**▲ DANGER:** Indicates an imminently hazardous situation which, if not avoided, **will** result in **death or serious injury**.

**▲ WARNING:** Indicates a potentially hazardous situation which, if not avoided, **could** result in **death or serious injury**.

**▲ CAUTION:** Indicates a potentially hazardous situation which, if not avoided, **may** result in **minor or moderate injury**.

**NOTICE:** Indicates a practice **not related to personal injury** which, if not avoided, **may** result in **property damage**.

IF YOU HAVE ANY QUESTIONS OR COMMENTS ABOUT THIS OR ANY DEWALT TOOL, CALL US TOLL FREE AT: 1-800-4-DEWALT (1-800-433-9258)

## Important Safety Instructions

**▲ WARNING:** Do not operate this unit until you read and understand this instruction manual for safety, operation and maintenance instructions.

**▲ WARNING:** This product contains chemicals known to the State of California to cause cancer, and birth defects or other reproductive harm. **Wash hands after handling.**

**▲ WARNING:** Some dust contains chemicals known to the State of California to cause cancer, birth defects or other reproductive harm such as asbestos and lead in lead based paint.

## SAVE THESE INSTRUCTION



### ▲ DANGER: RISK OF EXPLOSION OR FIRE

#### WHAT CAN HAPPEN

- It is normal for electrical contacts within the motor and pressure switch to spark.
- If electrical sparks from compressor come into contact with flammable vapors, they may ignite, causing fire or explosion.

#### HOW TO PREVENT IT

- Always operate the compressor in a well ventilated area free of combustible materials, gasoline, or solvent vapors.
- If spraying flammable materials, locate compressor at least 20 feet (6.1 m) away from spray area. An additional length of hose may be required.
- Store flammable materials in a secure location away from compressor.

- Restricting any of the compressor ventilation openings will cause serious overheating and could cause fire.
- Never place objects against or on top of compressor.
- Operate compressor in an open area at least 12" (30.5 cm) away from any wall or obstruction that would restrict the flow of fresh air to the ventilation openings.
- Operate compressor in a clean, dry well ventilated area. Do not operate unit indoors or in any confined area.
- Unattended operation of this product could result in personal injury or property damage. To reduce the risk of fire, do not allow the compressor to operate unattended.
- Always remain in attendance with the product when it is operating.
- Always turn off and unplug unit when not in use.



### **⚠ DANGER: RISK TO BREATHING (ASPHYXIATION)**

#### **WHAT CAN HAPPEN**

- The compressed air directly from your compressor is not safe for breathing. The air stream may contain carbon monoxide, toxic vapors, or solid particles from the air tank. Breathing these contaminants can cause serious injury or death.
- Exposure to chemicals in dust created by power sanding, sawing, grinding, drilling, and other construction activities may be harmful.
- Sprayed materials such as paint, paint solvents, paint remover, insecticides, weed killers, may contain harmful vapors and poisons.

#### **HOW TO PREVENT IT**

- Never use air obtained directly from the compressor to supply air for human consumption. The compressor is not equipped with suitable filters and in-line safety equipment for human consumption.
- Work in an area with good cross ventilation. Read and follow the safety instructions provided on the label or safety data sheets for the materials you are spraying. Always use certified safety equipment: NIOSH/OSHA respiratory protection or properly fitting face mask designed for use with your specific application.



### **⚠ WARNING: RISK OF BURSTING**

**Air Tank:** On February 26, 2002, the U.S. Consumer Product Safety Commission published Release # 02-108 concerning air compressor tank safety:

Air compressor receiver tanks do not have an infinite life. Tank life is dependent upon several factors, some of which include operating conditions, ambient conditions, proper installations, field modifications, and the level of maintenance. The exact effect of these factors on air receiver life is difficult to predict.

If proper maintenance procedures are not followed, internal corrosion to the inner wall of the air receiver tank can cause the air tank to unexpectedly rupture allowing pressurized air to suddenly and forcefully escape, posing risk of injury to consumers.

Your compressor air tank must be removed from service by the end of the year shown on your tank warning label.

The following conditions could lead to a weakening of the air tank, and result in a violent air tank explosion:

#### **WHAT CAN HAPPEN**

- Failure to properly drain condensed water from air tank, causing rust and thinning of the steel air tank.

#### **HOW TO PREVENT IT**

- Drain air tank daily or after each use. If air tank develops a leak, replace it immediately with a new air tank or replace the entire compressor.

- Modifications or attempted repairs to the air tank.
- Never drill into, weld, or make any modifications to the air tank or its attachments. Never attempt to repair a damaged or leaking air tank. Replace with a new air tank.
- Unauthorized modifications to the safety valve or any other components which control air tank pressure.
- The air tank is designed to withstand specific operating pressures. Never make adjustments or parts substitutions to alter the factory set operating pressures.

#### **Attachments & accessories:**

- Exceeding the pressure rating of air tools, spray guns, air operated accessories, tires, and other inflatables can cause them to explode or fly apart, and could result in serious injury.
- Follow the equipment manufacturers recommendation and never exceed the maximum allowable pressure rating of attachments. Never use compressor to inflate small low pressure objects such as children's toys, footballs, basketballs, etc.

**Tires:**

- Over inflation of tires could result in serious injury and property damage.
  - Use a tire pressure gauge to check the tires pressure before each use and while inflating tires; see the tire sidewall for the correct tire pressure.
- NOTE:** Air tanks, compressors and similar equipment used to inflate tires can fill small tires very rapidly. Adjust pressure regulator on air supply to no more than the rating of the tire pressure. Add air in small increments and frequently use the tire gauge to prevent over inflation.

**⚠ WARNING: RISK OF ELECTRICAL SHOCK****WHAT CAN HAPPEN**

- Your air compressor is powered by electricity. Like any other electrically powered device, If it is not used properly it may cause electric shock.

**HOW TO PREVENT IT**

- Never operate the compressor outdoors when it is raining or in wet conditions.
- Never operate compressor with protective covers removed or damaged.

- Repairs attempted by unqualified personnel can result in serious injury or death by electrocution.
- Any electrical wiring or repairs required on this product should be performed by a DEWALT factory service center or a DEWALT authorized service center in accordance with national and local electrical codes.
- **Electrical Grounding:** Failure to provide adequate grounding to this product could result in serious injury or death from electrocution. See **Grounding Instructions** under *Installation*.
- Make certain that the electrical circuit to which the compressor is connected provides proper electrical grounding, correct voltage and adequate fuse protection.

**⚠ WARNING: RISK FROM FLYING OBJECTS****WHAT CAN HAPPEN**

- The compressed air stream can cause soft tissue damage to exposed skin and can propel dirt, chips, loose particles, and small objects at high speed, resulting in property damage or personal injury.

**HOW TO PREVENT IT**

- Always wear certified safety equipment: ANSI Z87.1 eye protection (CAN/CSA Z94.3) with side shields when using the compressor.
- Never point any nozzle or sprayer toward any part of the body or at other people or animals.

- Always turn the compressor off and bleed pressure from the air hose and air tank before attempting maintenance, attaching tools or accessories.



**⚠ WARNING: RISK OF HOT SURFACES**

**WHAT CAN HAPPEN**

- Touching exposed metal such as the compressor head, engine head, engine exhaust or outlet tubes, can result in serious burns.

**HOW TO PREVENT IT**

- Never touch any exposed metal parts on compressor during or immediately after operation. Compressor will remain hot for several minutes after operation.
- Do not reach around protective shrouds or attempt maintenance until unit has been allowed to cool.



**⚠ WARNING: RISK FROM MOVING PARTS**

**WHAT CAN HAPPEN**

- Moving parts such as the pulley, flywheel, and belt can cause serious injury if they come into contact with you or your clothing.

**HOW TO PREVENT IT**

- Never operate the compressor with guards or covers which are damaged or removed.
- Keep your hair, clothing, and gloves away from moving parts. Loose clothes, jewelry, or long hair can be caught in moving parts.
- Air vents may cover moving parts and should be avoided as well.

- Attempting to operate compressor with damaged or missing parts or attempting to repair compressor with protective shrouds removed can expose you to moving parts and can result in serious injury.

- Any repairs required on this product should be performed by a DEWALT factory service center or a DEWALT authorized service center.



**⚠ WARNING: RISK OF UNSAFE OPERATION**

**WHAT CAN HAPPEN**

- Unsafe operation of your air compressor could lead to serious injury or death to you or others.

**HOW TO PREVENT IT**

- Review and understand all instructions and warnings in this manual.
- Become familiar with the operation and controls of the air compressor.
- Keep operating area clear of all persons, pets, and obstacles.
- Keep children away from the air compressor at all times.
- Do not operate the product when fatigued or under the influence of alcohol or drugs. Stay alert at all times.
- Never defeat the safety features of this product.
- Equip area of operation with a fire extinguisher.
- Do not operate machine with missing, broken, or unauthorized parts.



**⚠ WARNING: RISK OF FALLING**

**WHAT CAN HAPPEN**

- A portable compressor can fall from a table, workbench, or roof causing damage to the compressor and could result in serious injury or death to the operator.

**HOW TO PREVENT IT**

- Always operate compressor in a stable secure position to prevent accidental movement of the unit. Never operate compressor on a roof or other elevated position. Use additional air hose to reach high locations.



**⚠ WARNING: RISK OF INJURY FROM LIFTING**

**WHAT CAN HAPPEN**

- Serious injury can result from attempting to lift too heavy an object.

**HOW TO PREVENT IT**

- The compressor is too heavy to be lifted by one person. Obtain assistance from others before lifting.



**⚠ CAUTION: RISK FROM NOISE**

**WHAT CAN HAPPEN**

- Under some conditions and duration of use, noise from this product may contribute to hearing loss.

**HOW TO PREVENT IT**

- Always wear certified safety equipment: ANSI S12.6 (S3.19) hearing protection.



## SAVE THESE INSTRUCTIONS FOR FUTURE USE

### FEATURES (FIG. 1)

#### AUTO/OFF SWITCH

Place this switch (A) in the AUTO (I) position to provide automatic power to the pressure switch and OFF (O) to remove power at the end of each use.

#### PRESSURE SWITCH

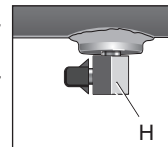
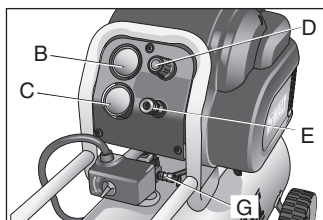
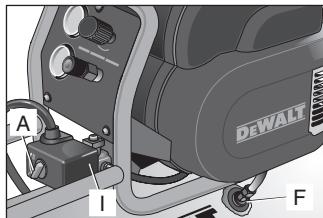
The pressure switch (I) automatically starts the motor when the air tank pressure drops below the factory set **cut-in** pressure. It stops the motor when the air tank pressure reaches the factory set **cut-out** pressure.

#### SAFETY VALVE

If the pressure switch does not shut off the air compressor at its cut-out pressure setting, the safety valve (G) will protect against high pressure by popping out at its factory set pressure (slightly higher than the pressure switch cut-out setting).

#### CHECK VALVE

When the air compressor is operating, the check valve (F) is open, allowing compressed air to enter the air tank. When the air compressor reaches cut-out pressure, the check valve closes, allowing air pressure to remain inside the air tank.



#### TANK PRESSURE GAUGE

The tank pressure gauge (B) indicates the reserve air pressure in the tank.

#### REGULATED PRESSURE GAUGE

The outlet pressure gauge (C) indicates the air pressure available at the outlet side of the regulator. This pressure is controlled by the regulator and is always less than or equal to the tank pressure.

#### REGULATOR

The regulator (D) controls the air pressure shown on the regulated pressure gauge. Pull the knob out and turn clockwise to increase pressure and counterclockwise to decrease pressure. When the desired pressure is reached push knob in to lock in place.

#### UNIVERSAL QUICK CONNECT BODY

The universal quick connect body (E) accepts the three most popular styles of quick connect plugs: Industrial, automotive, and ARO. One hand push-to-connect operation makes connections simple and easy.

#### DRAIN VALVE

The drain valve (H) is located at the base of the air tank and is used to drain condensation at the end of each use. See **Draining Air Tank** under *Maintenance*.

#### COOLING SYSTEM

This compressor contains an advanced design cooling system. It is normal for this fan to blow air through the vent holes in large amounts. The cooling system is working when air is expelled.

#### AIR COMPRESSOR PUMP

The pump compresses air into the air tank. Working air is not available until the compressor has raised the air tank pressure above that required at the air outlet.

## AIR INTAKE FILTER

The filter (J) is designed to clean air entering the pump. To ensure the pump continually receives a clean, cool, and dry air supply the filter must always be clean and the filter intake must be free from obstructions.

## MOTOR OVERLOAD PROTECTOR

The motor has a thermal overload protector. If the motor overheats for any reason, the overload protector will shut off the motor. The motor must be allowed to cool down before restarting. To restart:

1. Set the Auto/Off lever to OFF and unplug unit.
2. Allow the motor to cool.
3. Plug the power cord into the correct branch circuit receptacle.
4. Set the Auto/Off lever to AUTO position.

## INSTALLATION

### Assembly

#### INSTALLING HOSES

**▲ WARNING:** Risk of unsafe operation. Firmly grasp hose in hand when installing or disconnecting to prevent hose whip.

1. Ensure regulated pressure gauge reads 0 psi.
2. Grasp the hose at the quick connect plug and push the plug into the quick connect body (E). Coupler will snap into place.
3. Grasp the hose and pull to ensure coupler is seated.

#### DISCONNECTING HOSES

**▲ WARNING:** Risk of unsafe operation. Firmly grasp hose in hand when installing or disconnecting to prevent hose whip.

1. Ensure regulated pressure gauge reads 0 psi.
2. Pull coupler on quick connect body back to release Quick Connect plug on hose.

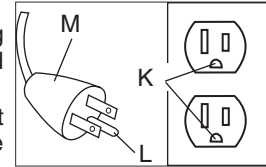
## Grounding Instructions

**▲ WARNING:** Risk of Electrical Shock. In the event of a short circuit, grounding reduces the risk of shock by providing an escape wire for the electric current. This air compressor must be properly grounded.

The portable air compressor is equipped with a cord having a grounding wire with an appropriate grounding plug.

1. The cord set and plug (M) with this unit contains a grounding pin (L). This plug **MUST** be used with a grounded outlet (K).

**IMPORTANT:** The outlet being used must be installed and grounded in accordance with all local codes and ordinances.



2. Ensure the outlet being used has the same configuration as the grounded plug. **DO NOT USE AN ADAPTER.**
3. Inspect the plug and cord before each use. Do not use if there are signs of damage.
4. If these grounding instructions are not completely understood, or if in doubt as to whether the compressor is properly grounded, have the installation checked by a qualified electrician.

**▲ DANGER:** Risk of Electrical Shock. **IMPROPER GROUNDING CAN RESULT IN ELECTRICAL SHOCK.**

- Do not modify the plug provided. If it does not fit the available outlet, a correct outlet should be installed by a qualified electrician.
- Repairs to the cord set or plug **MUST** be made by a qualified electrician.

## Extension Cords

If an extension cord must be used, be sure it is:

- a 3-wire extension cord that has a 3-blade grounding plug, and a 3-slot receptacle that will accept the plug on the product
- in good condition
- no longer than 50 feet (15.2 m)
- 12 gauge (AWG) or larger. (Wire size increases as gauge number decreases. 10 AWG and 8 AWG may also be used. DO NOT USE 14 OR 16 AWG.)

**NOTICE:** *The use of an undersized extension cord will cause voltage to drop resulting in power loss to the motor and overheating. Instead of using an extension cord, increase the working reach of the air hose by attaching another length of hose to its end. Attach additional lengths of hose as needed. Always use a minimum 3/8" (9.5 mm) or greater air hose rated at 300 psi.*

## Voltage and Circuit Protection

Refer to the **Voltage and Minimum Branch Circuit Requirements** under *Pump/Motor Specifications*.

**⚠ CAUTION:** *Certain air compressors can be operated on a 15 amp circuit if the following conditions are met.*

- *Voltage supply to circuit must comply with the National Electrical Code.*
- *Circuit is not used to supply any other electrical needs.*
- *Extension cords comply with specifications.*
- *Circuit is equipped with a 15 amp circuit breaker or 15 amp time delay fuse. **NOTE:** If compressor is connected to a circuit protected by fuses, use only time delay fuses. Time delay fuses should be marked "D" in Canada and "T" in the US.*

*If any of the above conditions cannot be met, or if operation of the compressor repeatedly causes interruption of the power, it may be*

*necessary to operate it from a 20 amp circuit. It is not necessary to change the cord set.*

## Compatibility

**NOTE:** Always use an air line filter to remove moisture and oil vapor when spraying paint.

## Location

Place the air compressor in a clean, dry and well ventilated area at least 12" (30.5 cm) away from the wall or other obstructions that will interfere with the flow of air. Keep the compressor away from areas that have dirt and/or volatile fumes in the atmosphere. These impurities may clog the intake filter and valves, causing inefficient operation.

**⚠ WARNING:** *The air compressor pump and shroud are designed to allow for proper cooling. The ventilation openings on the compressor are necessary to maintain proper operating temperature. Do not place rags or other containers on or near these openings.*

Place the air compressor on a flat surface resting on the rubber feet and wheels.

## ELECTRICAL

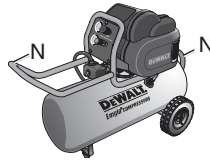
Refer to all safety instructions before using unit. Observe extension cord safety instructions if necessary. Always move the Auto/Off switch (A) to the OFF position before removing the plug from the outlet.

## TRANSPORTING

When transporting the compressor in a vehicle, trailer, etc., make sure the tank is drained and the unit is secured with straps to prevent tipping. Use care when driving to prevent tipping the unit over in the vehicle. Damage can occur to the compressor or surrounding items if the compressor is tipped.

**LIFTING**

Always use two people when lifting and lift from the recommended lift points (N). DO NOT lift by wheels or shroud.

**MOVING**

**⚠ CAUTION:** The wheels and handle do not provide adequate clearance, stability, or support for pulling the unit up and down stairs or steps. The unit must be lifted or pushed up a ramp.

1. Grasp handle of compressor and tilt compressor back to rest on wheels.

**⚠ WARNING:** Risk of Unsafe Operation. Ensure proper footing and use caution when rolling compressor so that unit does not tip or cause loss of balance.

2. When location is reached slowly lower compressor to ground. **Always store compressor in a horizontal position resting on the rubber bumpers and wheels.**

**PREPARATION FOR USE**

**⚠ WARNING:** Do not operate this unit until you read this instruction manual for safety, operation and maintenance instructions.

**Pre-Start Checklist (Fig. 1)**

1. Ensure the Auto/Off switch (A) is in the OFF position.
2. Plug the power cord into the correct branch circuit receptacle. See **Voltage and Circuit Protection** under *Installation*.
3. Ensure air tank is drained, see **Draining Air Tank** under *Maintenance*.
4. Ensure the drain valve (H) is closed.
5. Ensure safety valve (G) is functioning properly, see **Checking Safety Valve** under *Maintenance*.

6. Pull the regulator knob (D) out and turn counterclockwise until fully closed. Ensure regulated pressure gauge reads 0 psi. Push knob in to lock in place.
7. Attach hose and accessories. **NOTE:** Always use a minimum 3/8" (9.5 mm) or greater air hose rated at 300 psi.

**⚠ WARNING:** Risk of unsafe operation. Firmly grasp air hose in hand when installing or disconnecting to prevent hose whip.

**⚠ WARNING:** Risk of unsafe operation. Do not use damaged or worn accessories.

**⚠ WARNING:** Risk of Bursting. Too much air pressure causes a hazardous risk of bursting. Check the manufacturer's maximum pressure rating for air tools and accessories. The regulator outlet pressure must never exceed the maximum pressure rating.

**OPERATING PROCEDURES****Start-up (Fig. 1)**

1. Follow **Pre-Start Checklist** under *Preparation for Use*.
2. Move the Auto/Off switch to the AUTO position and allow tank pressure to build. Motor will stop when tank pressure reaches **cut-out** pressure.

**NOTICE:** Risk of property damage. Compressed air from the unit may contain water condensation and oil mist. Do not spray unfiltered air at an item that could be damaged by moisture. Some air operated tools or devices may require filtered air. Read the instructions for the air tool or device.

3. Adjust regulator (D) to desired setting. See **Regulator** under *Features*.

**Shut-down (Fig. 1)**

1. Move Auto/Off switch (A) to the OFF position. **NOTE:** If finished using compressor, follow Steps 2 - 6.

- Pull the regulator knob (D) out and turn counterclockwise until fully closed. Ensure regulated pressure gauge reads 0 psi. Push knob in to lock in place.
- Remove hose and accessory.

**▲ WARNING:** Risk of unsafe operation. Firmly grasp air hose in hand when installing or disconnecting to prevent hose whip.

- Drain the air tank, see **Draining Air Tank** under *Maintenance*. Ensure air tank pressure gauge reads 0 psi.

**▲ WARNING:** Risk of bursting. Drain air tank daily. Water will condense in air tank. If not drained, water will corrode and weaken the air tank causing a risk of air tank rupture.

- Allow the compressor to cool down.
- Wipe air compressor clean and store in a safe, non-freezing area.

## MAINTENANCE

The following procedures must be followed when maintenance or service is performed on the air compressor.

- Ensure Auto/Off switch is in the OFF position.
- Remove air compressor plug from outlet.
- Drain air tank.
- Allow air compressor to cool down before starting service.

**NOTE:** All compressed air systems contain maintenance parts (e.g., oil, filters, separators) that are periodically replaced. These used parts may contain substances that are regulated and must be disposed of in accordance with local, state, and federal laws and regulations.

**NOTE:** Take note of the positions and locations of parts during disassembly to make reassembly easier.

**NOTE:** Any service operations not included in this section should be performed by a DeWALT factory service center or a DeWALT authorized service center.

## Maintenance Chart

Procedure	Daily	Weekly	See tank warning label
Check safety valve	X		
Inspect air filter		X	
Drain air tank	X		
Check for unusual noise/vibration	X		
Check for air leaks	X <sup>1</sup>		
Clean compressor exterior		X	
Remove tank from service			X <sup>2</sup>
1 - To check for air leaks apply a solution of soapy water around joints. While compressor is pumping to pressure and after pressure cuts out, look for air bubbles to form.			
2 - For more information, call 1-800-4-DeWALT (1-800-433-9258)			

## Checking Safety Valve

**▲ WARNING:** Risk of bursting. If the safety valve does not work properly, over-pressurization may occur, causing air tank rupture or an explosion.

**▲ WARNING:** Risk from flying objects. Always wear certified safety equipment: ANSI Z87.1 eye protection (CAN/CSA Z94.3) with side shields when using the compressor.

Before starting compressor, pull the ring on the safety valve to make sure that the safety valve operates freely. **NOTE:** Ring may be difficult to pull when air tank pressure is at 0 psi. If the valve is stuck or does not operate smoothly, it must be replaced with the same type of valve.

## Draining Air Tank (Fig. 1)

**⚠ WARNING:** Risk of unsafe operation. Risk from noise. Air tanks contain high pressure air. Keep face and other body parts away from outlet of drain. Use eye protection [ANSI Z87.1 (CAN/CSA Z94.3)] when draining as debris can be kicked up into face.

**⚠ WARNING:** Risk from noise. Use ear protection [ANSI S12.6 (S3.19)] as air flow noise is loud when draining.

**NOTE:** All compressed air systems generate condensate that accumulates in any drain point (e.g. tanks, filter, aftercoolers, dryers). This condensate contains lubricating oil and/or substances which may be regulated and must be disposed of in accordance with local, state, and federal laws and regulations.

1. Ensure Auto/Off switch is in the OFF position.
2. Place a suitable container under the drain valve (H) to catch discharge.
3. Grasp lever on drain valve.
4. Slowly rotate lever to gradually bleed air from air tank.

**⚠ WARNING:** Risk of bursting. Drain air tank daily. Water will condense in air tank. If not drained, water will corrode and weaken the air tank causing a risk of air tank rupture.

**NOTICE:** Risk of property damage. Drain water from air tank may contain oil and rust, which can cause stains.

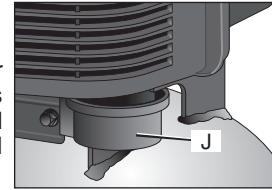
5. When air tank pressure gauge reads 10 psi, rotate valve to the fully open position.
6. Close drain valve when finished.

## Checking Air Filter Element (Fig. 1)

**⚠ WARNING:** Hot surfaces. Risk of burn. Outlet tube, pump head, and surrounding parts are very hot, do not touch. Allow compressor to cool prior to servicing.

1. Ensure Auto/Off switch (A) is in the OFF Position.
2. Allow unit to cool.

3. Remove filter cover (J) from base.
4. Remove element from filter base.
5. Place new element back in filter base. Purchase replacement parts from your local dealer or authorized service center. Always use identical replacement parts.
6. Snap filter cover to filter base.



**NOTICE:** Risk of unsafe operation. Do not operate without air inlet filter

## ACCESSORIES

Recommended accessories for use with your tool are available for purchase from your local dealer or authorized service center. If you need assistance in locating any accessory for your tool, please contact DEWALT Industrial Tool Co., 701 East Joppa Road, Baltimore, MD 21286, call 1-800-4-DEWALT (1-800-433-9258) or visit our website [www.dewalt.com](http://www.dewalt.com).

**⚠ WARNING:** The use of any other accessory not recommended for use with this tool could be hazardous. Use only accessories rated equal to or higher than the rating of the air compressor.

## SERVICE INFORMATION

Please have the following information available for all service calls:  
 Model Number \_\_\_\_\_ Serial Number \_\_\_\_\_  
 Date and Place of Purchase \_\_\_\_\_

## Repairs

To assure product SAFETY and RELIABILITY, repairs, maintenance and adjustment should be performed by a DEWALT factory service center, a DEWALT authorized service center or other qualified service personnel. Always use identical replacement parts.



## Troubleshooting Guide

This section provides a list of the more frequently encountered malfunctions, their causes and corrective actions. The operator or maintenance personnel can perform some corrective actions, and others may require the assistance of a qualified DEWALT technician or your dealer.

<b>Problem</b>	<b>Code</b>
Excessive air tank pressure-safety valve pops off .....	1, 2
Air leaks .....	3
Air leaks in air tank or at air tank welds .....	4
Air leaks between head and valve plate.....	5
Air leaks from safety valve.....	6
Knocking Noise.....	6
Pressure reading on the regulated pressure gauge drops when an accessory is used.....	7
Compressor is not supplying enough air to operate accessories.....	8, 9, 10, 11, 12, 22
Regulator knob has continuous air leak .....	13
Regulator will not shut off air outlet.....	13
Motor will not run .....	6, 14, 15, 16, 17, 18, 19, 20
Squealing Sound .....	21

## Troubleshooting Codes

<b>CODE</b>	<b>POSSIBLE CAUSE</b>	<b>POSSIBLE SOLUTION</b>
1	Pressure switch does not shut off motor when compressor reaches cut-out pressure	Set the Auto/Off switch to OFF, if the unit does not shut off contact a DEWALT factory service center or a DEWALT authorized service center.
2	Pressure switch cut-out too high	Contact a DEWALT factory service center or a DEWALT authorized service center.
3	Tube fittings are not tight enough	Tighten fittings where air can be heard escaping. Check fittings with soapy water solution. <b>Do Not Overtighten.</b>



CODE	POSSIBLE CAUSE	POSSIBLE SOLUTION
4	Defective air tank	Air tank must be replaced. Do not repair the leak. <b>⚠ WARNING:</b> Risk of bursting. Do not drill into, weld or otherwise modify air tank or it will weaken. The air tank can rupture or explode.
5	Leaking seals	Contact a DEWALT factory service center or a DEWALT authorized service center.
6	Defective safety valve	Operate safety valve manually by pulling on ring. If valve still leaks, it must be replaced.
7	Regulator is not adjusted correctly for accessory being used	It is normal for some pressure drop to occur when an accessory is used, adjust the regulator as instructed in <b>Regulator</b> under <i>Features</i> if pressure drop is excessive. <b>NOTE:</b> Adjust the regulated pressure under flow conditions while accessory is being used.
8	Prolonged excessive use of air	Decrease amount of air usage.
9	Compressor is not large enough for accessory	Check the accessory air requirement. If it is higher than the CFM or pressure supplied by your air compressor, a larger compressor is needed to operate accessory.
10	Hole in air hose	Replace air hose.
11	Check valve restricted	Remove, clean or replace.
12	Air leaks	Tighten fittings.
13	Regulator is damaged	Replace.
14	Motor overload protection switch has tripped	Refer to <b>Motor Overload Protection</b> under <i>Features</i> . If motor overload protection trips frequently, contact a DEWALT factory service center or a DEWALT authorized service center.

CODE	POSSIBLE CAUSE	POSSIBLE SOLUTION
15	Tank pressure exceeds pressure switch cut-in pressure	Motor will start automatically when tank pressure drops below cut-in pressure of pressure switch.
16	Extension cord is wrong length or gauge	Check for proper gauge wire and cord length refer to the <b>Extension Cords</b> under <i>Installation</i> .
17	Loose electrical connections	Check wiring connection inside pressure switch and terminal box area.
18	Possible defective motor	Contact a DEWALT factory service center or a DEWALT authorized service center.
19	Paint spray on internal motor parts	Contact a DEWALT factory service center or a DEWALT authorized service center. Do not operate the compressor in the paint spray area. See <b>Risk of Explosion or Fire</b> warning under <i>Important Safety Instructions</i> .
20	Fuse blown, circuit breaker tripped	<ol style="list-style-type: none"> <li>1. Check fuse box for blown fuse and replace as necessary. Reset circuit breaker. Do not use a fuse or circuit breaker with higher rating than that specified for our particular branch circuit.</li> <li>2. Check for proper fuse. You should use a time delay fuse.</li> <li>3. Check for low voltage conditions and/or proper extension cord.</li> <li>4. Disconnect the other electrical appliances from circuit or operate the compressor on its own branch circuit.</li> </ol>
21	Worn Belt	Contact a DEWALT factory service center or a DEWALT authorized service center.
22	Restricted air intake filter	Clean or replace air intake filter. Do not operate the air compressor with the filter removed. Refer to the <b>Air Filter</b> paragraph in the <i>Maintenance</i> section.

## Compresseur d'air, modèle D55167

- |                                   |   |
|-----------------------------------|---|
| A. Interrupteur Auto(I)/Arrêt (O) | G. Soupape de sûreté                                |
| B. Manomètre du réservoir d'air   | H. Soupape de purge du réservoir d'air (non montré) |
| C. Manomètre réglé                |   |
| D. Régulateur                     | I. Rembobineur de cordon d'alimentation             |
| E. Branchements rapides           | J. Filtre d'admission d'air                         |
| F. Clapet                         |   |

### Fiche technique de la pompe/moteur

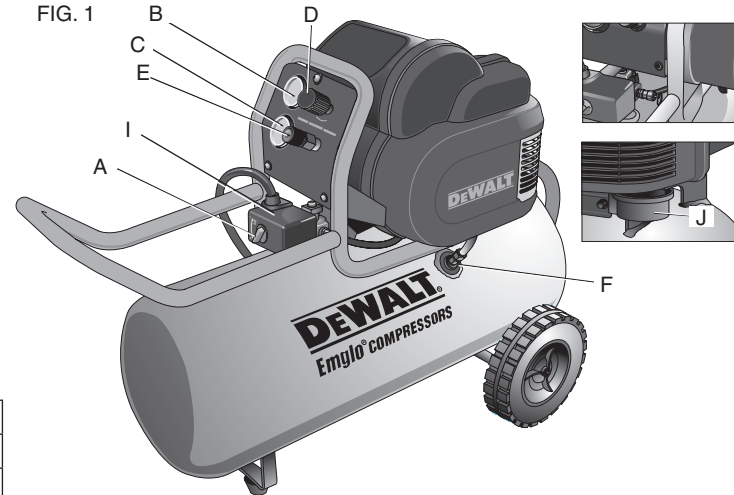
Tension : monophasé, 120V

Exigence minimale du circuit de dérivation : 15 A

Type de fusible : temporisation

### Fiche technique

MODÈLE	D55167
POIDS	38,6 kg (85 livres)
HAUTEUR	698,5 mm (27,5 po)
LARGEUR	457,2 mm (18,0 po)
LONGUEUR	539,8 mm (21,25 po)
CAPACITÉ DU RÉSERVOIR D'AIR	56,8 liters (15 gallons)
PRESSION D'ENCLÈCHEMENT APPROX.	160 psi
ENV. PRESSION DE DÉCLÈCHEMENT	200 psi
PCMS (SCFM) @ 90 PSI	4,8 *
NIVEAU SONORE	79 dBA +
*Testé conformément à la norme ISO 1217	
+ Testé conformément à la norme ISO 3744	



### Valeurs de l'émission de bruits déclarées en conformité avec l'ISO 3744

#### Valeur de l'émission de bruits

Niveau de pression acoustique :	LpA = 79,0 dBA re 20 $\mu$ PA
Incertitude du niveau de pression acoustique calculé :	KpA = 3,0 dBA re 20 $\mu$ PA
Niveau de puissance acoustique :	LwA = 93,0 dBA re 1 pw
Incertitude du niveau de puissance acoustique :	KwA = 3,0 dBA re 1 pw

La somme de la valeur de l'émission et de l'incertitude établit la limite sous laquelle la valeur pour un seul outil y sera inférieure et ce, à 95 % de fiabilité statistique.

## Définitions : Lignes directrices en matière de sécurité

Les définitions ci-dessous décrivent le niveau de gravité pour chaque symbole. Veuillez lire le mode d'emploi et porter une attention particulière à ces symboles.

**⚠ DANGER :** Indique une situation dangereuse imminente qui, si elle n'est pas évitée, **causera la mort ou des blessures graves.**

**⚠ AVERTISSEMENT :** Indique une situation potentiellement dangereuse qui, si elle n'est pas évitée, **pourrait se solder par un décès ou des blessures graves.**

**⚠ ATTENTION :** Indique une situation potentiellement dangereuse qui, si elle n'est pas évitée **pourrait se solder par des blessures mineures ou modérées.**

**AVIS :** Indique une pratique ne posant **aucun risque de dommages corporels** mais qui par contre, si rien n'est fait pour l'éviter, **pourrait poser des risques de dommages matériels.**

POUR TOUTES QUESTIONS OU COMMENTAIRES RELATIFS (VES) À L'OUTIL OU À PROPOS DE TOUT AUTRE OUTIL DEWALT, COMPOSER SANS FRAIS LE : **1-800-4-DEWALT (1-800-433-9258)**

### Directives de sécurité importantes

**⚠ AVERTISSEMENT :** Ne pas utiliser cet appareil avant d'avoir lu et compris le mode d'emploi ainsi que l'intégralité des directives de sécurité, d'utilisation et d'entretien.

**⚠ AVERTISSEMENT :** Ce produit contient des produits chimiques reconnus par l'État de la Californie comme étant cancérogènes et pouvant entraîner des anomalies congénitales ou d'autres problèmes liés aux fonctions reproductrices. **Se laver les mains après toute manipulation.**

**⚠ AVERTISSEMENT :** Certaines poussières contiennent des produits chimiques reconnus par l'État de la Californie comme cancérogènes et pouvant entraîner des anomalies congénitales et d'autres problèmes liés aux fonctions reproductrices, tels que l'amiante et le plomb contenus dans les peintures au plomb.

## CONSERVER CES DIRECTIVES



### ⚠ DANGER : RISQUE D'EXPLOSION OU D'INCENDIE

#### CE QUI PEUT SE PRODUIRE

- Il est normal que des contacts électriques dans le moteur et le manoccontacteur fassent une étincelle.

#### COMMENT L'ÉVITER

- Faites toujours fonctionner le compresseur dans une zone bien aérée sans matière combustible, essence ou vapeur de solvant.

- Si une étincelle électrique provenant du compresseur entre en contact avec des vapeurs inflammables, elle peut s'enflammer et causer un incendie ou une explosion.

- Si vous aspergez des matériaux inflammables, placez le compresseur à au moins 6,1 m (20 pieds) de la zone pulvérisée. Il est possible que vous ayez besoin d'une longueur de tuyau additionnelle.
- Entrez les matières inflammables dans un endroit sécuritaire, éloigné du compresseur.

- Le fait de limiter les ouvertures d'aération de compresseur causera une importante surchauffe et pourrait causer un incendie.

- Ne placez jamais des objets contre le compresseur ou sur celui-ci.
- Faites fonctionner le compresseur dans un endroit aéré à au moins 30,5 cm (12 po) du mur ou de l'obstruction qui pourrait limiter le débit d'air frais dans les ouvertures d'aération.
- Faites fonctionner le compresseur dans un endroit propre, sec et bien aéré. Ne pas utiliser l'appareil à l'intérieur ou dans un endroit exigü.

- Le fonctionnement de ce produit sans surveillance pourrait se solder par des blessures personnelles ou des dommages à la propriété. Afin de réduire le risque d'incendie, ne pas laisser le compresseur fonctionner sans surveillance.

- Être toujours présent lorsque le produit est en marche.
- Toujours éteindre et débrancher l'appareil si non utilisé.



### **⚠ DANGER : RISQUE RESPIRATOIRE (ASPHYXIE)**

#### **CE QUI PEUT SE PRODUIRE**

- Il est dangereux de respirer l'air comprimé sortant du compresseur. Le flux d'air peut contenir du monoxyde de carbone, des vapeurs toxiques ou des particules solides provenant du réservoir d'air. La respiration de ces contaminants peut causer de sérieuses blessures, voire la mort.

#### **COMMENT L'ÉVITER**

- Ne jamais utiliser l'air obtenu directement du compresseur pour l'alimentation en air destinée à la consommation humaine. Le compresseur n'est pas muni de filtres et d'équipement de sécurité en ligne qui conviennent à la consommation humaine.

- Une exposition aux produits chimiques présents dans la poussière générée par les activités de ponçage, sciage, meulage, perçage et autres, peut être nocive
- Les matériaux vaporisés comme la peinture, les solvants de peinture, les décapants, les insecticides, les herbicides, pourraient contenir des vapeurs nocives et du poison.
- Travailler dans un endroit ayant une bonne aération transversale. Lire et respecter les directives en matière de sécurité imprimées sur l'étiquette ou les fiches signalétiques des matériaux qui sont pulvérisés. Toujours utiliser un équipement de sécurité homologué : une protection respiratoire conforme aux normes NIOSH/OSHA, ou un masque facial bien ajusté, conçus spécifiquement pour votre utilisation particulière.



### **▲ AVERTISSEMENT : RISQUE D'ÉCLATEMENT**

**Réservoir d'air comprimé :** Le 26 février 2002, la U.S. Consumer Product Safety Commission américaine a publié la règle n° 02-108 portant sur la sécurité en matière de réservoir d'air comprimé des compresseurs :

Les réservoirs d'air comprimé des compresseurs n'ont pas une durée de vie illimitée. La durée de vie des réservoirs dépend de plusieurs facteurs, qui comprennent entre autres : les conditions d'utilisation, les conditions ambiantes, une installation adéquate, les modifications sur site, et le niveau de maintenance. L'effet exact que peut avoir ces facteurs sur la durée de vie des réservoirs d'air est difficilement prévisible.

Si les procédures adéquates de maintenance ne sont pas suivies, la corrosion sur la paroi interne du réservoir d'air comprimé peut faire que celui-ci éclate de façon inopinée laissant soudainement l'air pressurisé s'échapper avec force, posant ainsi des risques de dommages corporels à l'utilisateur.

Le réservoir d'air de votre compresseur doit être mis hors service à la fin de l'année mentionnée sur l'étiquette d'avertissement apposée sur le réservoir.

Les conditions suivantes peuvent amener la dégradation du réservoir d'air, et faire que ce dernier explose violemment :

**CE QUI PEUT SE PRODUIRE**

- L'eau condensée n'est pas correctement vidangée du réservoir d'air provoquant ainsi la formation de rouille et un amincissement du réservoir d'air en acier.
- Modifications apportées au réservoir d'air ou tentatives de réparation.
- Des modifications non autorisées de la soupape de sûreté ou de tous autres composants qui régissent la pression du réservoir d'air.

**COMMENT L'ÉVITER**

- Vidanger le réservoir d'air quotidiennement ou après chaque utilisation. Si le réservoir présente une fuite, le remplacer immédiatement par un nouveau réservoir d'air ou par un nouveau compresseur.
- Ne jamais percer un trou dans le réservoir d'air ou ses accessoires, y faire de la soudure ou y apporter quelque modification que ce soit. Ne jamais essayer de réparer un réservoir d'air endommagé ou avec des fuites. Le remplacer par un nouveau réservoir d'air.
- Le réservoir d'air a été conçu pour supporter des pressions spécifiques de fonctionnement. Ne faites jamais effectuer de réglages ou de substitutions de pièces en vue de modifier les pressions de fonctionnement réglées en usine.

**Accessoires :**

- Lorsqu'on excède la pression nominale des outils pneumatiques, des pistolets pulvérisateurs, des accessoires à commande pneumatique, des pneus et d'autres dispositifs pneumatiques, on risque de les faire exploser ou de les projeter et ainsi entraîner des blessures graves.

- Respecter les recommandations du fabricant de l'équipement et ne jamais dépasser la pression nominale maximale permise des accessoires. Ne jamais utiliser le compresseur pour gonfler de petits objets à basse pression comme des jouets d'enfant, des ballons de football et de basket-ball, etc.

**Pneus :**

- Des pneus surgonflés pourraient provoquer des blessures graves et des dommages à la propriété.

- Utiliser un manomètre pour vérifier la pression des pneus avant chaque utilisation et lors du gonflage; consulter le flanc de pneu pour obtenir la pression correcte.

**REMARQUE :** Les réservoirs d'air comprimé, compresseurs et autres équipements similaires utilisés pour gonfler les pneus peuvent remplir ces derniers très rapidement. Régler le régulateur de pression d'air à une pression moindre que celle indiquée sur le pneu. Ajouter de l'air par petite quantité et utiliser fréquemment le manomètre pour empêcher un surgonflage.



### ⚠ **AVERTISSEMENT : RISQUE DE CHOC ÉLECTRIQUE**

#### CE QUI PEUT SE PRODUIRE

- Votre compresseur d'air est alimenté à l'électricité. Tout comme n'importe quel autre dispositif alimenté de façon électrique, s'il n'est pas utilisé correctement, il peut causer un choc électrique.
- Les tentatives de réparation par un personnel non qualifié peuvent résulter en de graves blessures, voire la mort par électrocution.

#### COMMENT L'ÉVITER

- Ne faites jamais fonctionner le compresseur à l'extérieur lorsqu'il pleut ou dans des conditions humides.
- Ne faites jamais fonctionner le compresseur avec les couvercles de protection enlevés ou endommagés.
- Tout câblage électrique ou toute réparation nécessaire pour ce produit doit être pris en charge par un centre de réparation en usine autorisé DEWALT ou un centre de réparation DEWALT conformément aux codes électriques nationaux et locaux.

- **Mise à la terre électrique** : le fait de ne pas faire une mise à la terre adéquate de ce produit pourrait résulter en des blessures graves voire la mort par électrocution. Consulter **les directives relatives à la mise à la terre** sous *Installation*.

- Assurez-vous que le circuit électrique auquel le compresseur est branché fournit une mise à la terre électrique adéquate, une tension appropriée et une bonne protection des fusibles.



### ⚠ **AVERTISSEMENT : RISQUE PROVENANT DES OBJETS PROJÉTÉS EN L'AIR**

#### CE QUI PEUT SE PRODUIRE

- Le flux d'air comprimé peut endommager les tissus mous de la peau exposée et peut projeter la poussière, des fragments, des particules détachées et des petits objets à haute vitesse, ce qui entraînerait des dommages et des blessures personnelles.

#### COMMENT L'ÉVITER

- Toujours utiliser de l'équipement de sécurité homologué : protection oculaire conforme à la norme ANSI Z87.1 (CAN/CSA Z94.3) munie d'écrans latéraux lors de l'utilisation du compresseur.
- Ne jamais pointer une buse ou un pulvérisateur vers une partie du corps ou vers d'autres personnes ou des animaux.



- Toujours mettre le compresseur hors tension et purger la pression du tuyau à air et du réservoir d'air avant d'effectuer l'entretien, de fixer des outils ou des accessoires.



### ⚠ **AVERTISSEMENT : ATTENTION SURFACES CHAUDES**

#### **CE QUI PEUT SE PRODUIRE**

- Toucher à du métal exposé comme la tête du compresseur ou du moteur, la tubulure des gaz d'échappement ou de sortie, peut se solder en de sérieuses brûlures.

#### **COMMENT L'ÉVITER**

- Ne jamais toucher à des pièces métalliques exposées sur le compresseur pendant ou immédiatement après son utilisation. Le compresseur reste chaud pendant plusieurs minutes après son utilisation.
- Ne pas toucher ni effectuer des réparations aux coiffes de protection avant que l'appareil n'ait refroidi.



### ⚠ **AVERTISSEMENT : RISQUE ASSOCIÉ AUX PIÈCES MOBILES**

#### **CE QUI PEUT SE PRODUIRE**

- Les pièces mobiles comme une poulie, un volant ou une courroie peuvent provoquer de graves blessures si elles entrent en contact avec vous ou vos vêtements.

#### **COMMENT L'ÉVITER**

- Ne jamais utiliser le compresseur si les protecteurs ou les couvercles sont endommagés ou retirés.
- Tenir les cheveux, les vêtements et les gants hors de portée des pièces en mouvement. Les vêtements amples, bijoux ou cheveux longs peuvent s'enchevêtrer dans les pièces mobiles.
- S'éloigner des événements car ces derniers pourraient camoufler des pièces mobiles.

- Utiliser le compresseur avec des pièces endommagées ou manquantes ou le réparer sans coiffes de protection risque de vous exposer à des pièces mobiles et peut se solder par de graves blessures.
- Toutes les réparations requises pour ce produit devraient être effectuées par un centre de réparation de l'usine DEWALT ou un centre de réparation autorisé DEWALT.



**⚠ AVERTISSEMENT : RISQUE ASSOCIÉ À  
UTILISATION DANGEREUSE**

**CE QUI PEUT SE PRODUIRE**

- Une utilisation dangereuse de votre compresseur d'air pourrait provoquer de graves blessures, voire votre décès ou celle d'autres personnes.

**COMMENT L'ÉVITER**

- Revoir et comprendre toutes les directives et les avertissements contenus dans le présent mode d'emploi.
- Se familiariser avec le fonctionnement et les commandes du compresseur d'air.
- Dégager la zone de travail de toutes personnes, animaux et obstacles.
- Tenir les enfants hors de portée du compresseur d'air en tout temps.
- Ne pas utiliser le produit en cas de fatigue ou sous l'emprise d'alcool ou de drogues. Rester vigilant en tout temps.
- Ne jamais rendre inopérant les fonctionnalités de sécurité du produit.
- Installer un extincteur dans la zone de travail.

- Ne pas utiliser l'appareil lorsqu'il manque des pièces ou que des pièces sont brisées ou non autorisées.



**⚠ AVERTISSEMENT : RISQUE DE CHUTE**

- Un compresseur portable peut tomber d'une table, d'un établi ou d'un toit et causer des dommages au compresseur, ce qui pourrait résulter en de graves blessures, voire la mort de l'opérateur.
- Toujours faire fonctionner le compresseur alors qu'il est dans une position sécuritaire et stable afin d'empêcher un mouvement accidentel de l'appareil. Ne jamais faire fonctionner le compresseur sur un toit ou sur toute autre position élevée. Utiliser un tuyau d'air supplémentaire pour atteindre les emplacements en hauteur.



**⚠ AVERTISSEMENT : RISQUE DE BLESSURE  
EN SOULEVANT LE PRODUIT**

**CE QUI PEUT SE PRODUIRE**

- Soulever un objet trop lourd peut se solder par de graves blessures.

**COMMENT L'ÉVITER**

- Le compresseur est trop lourd pour être soulevé par une seule personne. Demander de l'aide avant de le soulever.



### ⚠ ATTENTION : RISQUE ASSOCIÉ AU BRUIT

#### CE QUI PEUT SE PRODUIRE

- Dans certaines conditions et selon la durée d'utilisation, le bruit provoqué par ce produit peut contribuer à une perte auditive.

#### COMMENT L'ÉVITER

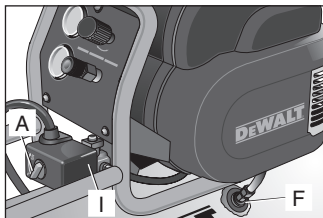
- Toujours utiliser un équipement de sécurité homologué : protection auditive conforme à la norme ANSI S12.6 (S3.19).

## CONSERVER CES DIRECTIVES POUR UN USAGE ULTÉRIEUR

### CARACTÉRISTIQUES (FIG. 1)

#### INTERRUPTEUR AUTO/ARRÊT

Mettre cet interrupteur (A) sur la position AUTO (I) pour avoir une alimentation automatique au manostat et sur la position ARRÊT (O) pour la mise hors tension à la fin de chaque utilisation.

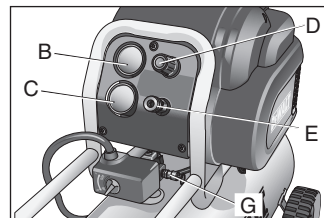


#### MANOCONTACTEUR

Le manostat démarre automatiquement le moteur lorsque la pression du réservoir d'air chute sous la pression d'enclenchement réglée en usine. Il arrête le moteur lorsque la pression du réservoir d'air atteint la pression de déclenchement réglée en usine.

#### SOUPE DE SÛRETÉ

Si le manostat ne met pas hors tension le compresseur d'air à sa pression de déclenchement réglée, la soupape de sûreté (G) sert de protection contre une pression élevée en allant à la pression réglée en usine (pression légèrement plus élevée que le réglage de déclenchement du manostat).



#### CLAPET

Lorsque le compresseur d'air fonctionne, le clapet (F) est ouvert, ce qui permet à l'air comprimé d'entrer dans le réservoir d'air. Lorsque le compresseur d'air atteint la pression de déclenchement, le clapet se ferme, ce qui permet à la pression d'air de rester dans le réservoir d'air.

#### MANOMÈTRE DE RÉSERVOIR

Le manomètre de réservoir (B) indique la pression d'air de réserve dans le réservoir.

#### MANOMÈTRE DE PRISE DE COURANT

Le manomètre de prise (C) indique la pression d'air disponible du côté de la prise du régulateur. Cette pression est contrôlée par le régulateur et est toujours inférieure ou égale à la pression du réservoir.

#### RÉGULATEUR

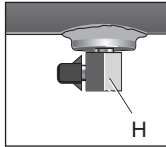
Le régulateur (D) contrôle la pression d'air indiquée sur le manomètre de sortie. Tirez le bouton et tournez-le dans le sens des aiguilles d'une montre pour augmenter la pression et dans le sens contraire pour réduire la pression. Une fois que la pression désirée est atteinte, poussez le bouton pour le verrouiller.

### CORP DE BRANCHEMENT RAPIDE UNIVERSEL

Le corps de branchement rapide universel (E) accepte les trois styles de prises de branchement rapide les plus populaires : industrielle, automobile, et ARO. Il suffit tout simplement d'appuyer une seule fois pour connecter le corps de branchement rapide à la prise. Les deux corps de branchement rapide permettent d'utiliser deux outils en même temps.

### ROBINET DE PURGE

Le robinet de purge (H) se trouve à la base du réservoir d'air et est utilisé pour vidanger la condensation à la fin de chaque utilisation. Consulter le chapitre **Vidange du réservoir** sous *Entretien*.



### SYSTÈME DE REFROIDISSEMENT

Ce compresseur contient un système de refroidissement de conception évoluée. Il est tout à fait normal pour ce ventilateur de souffler de l'air par les orifices d'aération en grandes quantités. Le système de refroidissement fonctionne lorsque l'air est expulsé.

### POMPE DE COMPRESSEUR D'AIR

La pompe compresse l'air dans le réservoir d'air. L'air de travail n'est pas disponible avant que le compresseur ait augmenté la pression du réservoir d'air au-dessus de ce qui est requis à la sortie d'air.

### FILTRE D'ADMISSION D'AIR

Le filtre (J) sert à purifier l'air qui entre dans la pompe. Pour que la pompe reçoive un flux d'air constant propre, froid et sec, le filtre doit toujours être propre et l'entrée d'air doit être exempte d'obstructions.

### PROTECTEUR DE SURCHARGE DU MOTEUR

Le moteur dispose d'un protecteur de surcharge thermique. Si le moteur surchauffe, peu importe la raison, le protecteur de surcharge met le moteur hors tension. Il faut donner au moteur le temps de refroidir avant de le redémarrer. Redémarrage :

1. Mettre le levier Auto/Arrêt en position d'ARRÊT, puis débrancher l'appareil.
2. Laisser le moteur refroidir.
3. Brancher le cordon d'alimentation dans le bon réceptacle de circuit de dérivation.
4. Mettre le levier Auto/Arrêt en position de AUTO (I).

## INSTALLATION

### Assemblage

#### RACCORDEMENT DES TUYAUX

**⚠ AVERTISSEMENT :** *Risque d'utilisation dangereuse. Saisir fermement le tuyau en main lors du raccordement ou de la déconnexion pour empêcher un à-coup du tuyau.*

1. S'assurer que le manomètre régulé indique 0 psi.
2. Saisir le tuyau au niveau de la prise de branchement rapide et enfoncer la prise dans le corps de branchement rapide (E). Le coupleur se mettra en place.
3. Saisir le tuyau et tirer pour s'assurer que le coupleur est bien en place.

#### DÉCONNEXION DES TUYAUX

**⚠ AVERTISSEMENT :** *Risque d'utilisation dangereuse. Saisir fermement le tuyau en main lors du raccordement ou de la déconnexion pour empêcher un à-coup du tuyau.*

1. S'assurer que le manomètre régulé indique 0 psi.

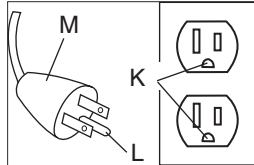
- Retirer le coupleur du corps de branchement rapide pour dégager la prise de branchement rapide du tuyau.

### Directives relatives à la mise à la terre

**⚠ AVERTISSEMENT :** *Risque de choc électrique. Au cas où un court-circuit se produirait, la mise à la terre réduit le risque de choc électrique en fournissant un fil d'échappement pour le courant électrique. Le compresseur d'air doit être correctement mis à la terre.*

Le compresseur d'air portatif est muni d'un cordon ayant un fil de mise à terre avec une prise de mise à la terre.

- Le cordon qui se fixe et se branche (M) avec cet appareil contient une goupille de mise à la terre (L). Cette prise **DOIT** être utilisée avec une prise correctement mise à la terre (K).



**IMPORTANT :** La prise utilisée doit être installée et mise à la terre en fonction de tous les codes et de toutes les ordonnances à l'échelle locale.

- Assurez-vous que la prise utilisée a la même configuration que la fiche mise à la terre. **N'UTILISEZ PAS UN ADAPTEUR.**
- Inspectez la fiche et le cordon avant chaque utilisation. Ne les utilisez pas s'ils présentent des signes de dommages.
- Si ces directives sur la mise à la terre ne sont pas entièrement comprises, ou si vous n'êtes pas certain que le compresseur a correctement été mis à la terre, faites vérifier l'installation par un électricien qualifié.

**⚠ DANGER :** *Risque de choc électrique. UNE MISE À LA TERRE INADÉQUATE PEUT PROVOQUER UN CHOC ÉLECTRIQUE.*

- Ne modifiez pas la fiche fournie. Si elle ne s'incère pas dans la prise disponible, une prise adéquate doit être installée par un électricien qualifié.

- Les réparations au cordon ou à la fiche **DOIVENT** être faites par un électricien qualifié.

### Rallonges

Si une rallonge doit être utilisée, s'assurer :

- d'utiliser une rallonge à trois fils, munie d'une fiche à trois lames avec mise à la terre et une prise de courant à trois fentes qui accepte la fiche de la rallonge;
- qu'elle est en bon état;
- qu'elle n'excède pas 15,2 m (50 pi);
- que les fils sont d'un calibre minimum de 12 AWG. (La grosseur du fil augmente comme le numéro de calibre diminue. Les fils de calibre 10 AWG et 8 AWG peuvent également être utilisés. **NE PAS UTILISER UN FIL DE CALIBRE 14 OU 16 AWG.**)

**AVIS :** *L'utilisation d'une rallonge produira une chute de tension qui entraînera une perte de puissance au moteur ainsi qu'une surchauffe. Au lieu d'utiliser une rallonge électrique, augmentez plutôt la longueur du boyau d'air en connectant un autre boyau à l'extrémité. Connectez des boyaux supplémentaires au besoin. Toujours utiliser un tuyau d'air de 9,5 mm (3/8 po) ou plus prévu pour une pression de 300 psi.*

### Protection de la tension et du circuit

Consulter les **Exigences en matière de tension et de circuit de dérivation minimales** sous *Fiche technique de la pompe/du moteur.*

**⚠ ATTENTION :** *Certains compresseurs d'air peuvent fonctionner sur un circuit de 15 A si les conditions suivantes sont réunies.*

- L'alimentation en tension doit se conformer au Code électrique national.
- Le circuit n'est pas utilisé pour alimenter d'autres besoins en électricité.

- Les rallonges doivent se conformer aux spécifications.
- Le circuit est équipé d'un disjoncteur de 15 A au minimum ou d'un fusible à temporisation de 15 A. **REMARQUE** : si le compresseur est branché à un circuit protégé par des fusibles, utiliser seulement des circuits à temporisation. Les fusibles de temporisation devraient avoir l'inscription « D » au Canada et « T » aux É.-U.

Si une des conditions ci-dessus n'est pas satisfaite, ou si le fonctionnement du compresseur cause des interruptions du courant électrique, il peut s'avérer nécessaire de faire fonctionner l'appareil à partir d'un circuit à 20 A. Il n'est pas nécessaire de changer les cordons.

## Compatibilité

**REMARQUE** : Toujours utiliser un filtre de canalisation d'air pour retirer l'humidité et les vapeurs d'huile lors de la pulvérisation de peinture.

## Emplacement

Placer le compresseur d'air dans un endroit propre, sec et bien aéré à au moins 30,5 cm (12 po) du mur ou d'autres obstructions qui pourraient interférer avec le débit d'air. Tenir le compresseur à l'écart des endroits poussiéreux et chargés d'émanations. Ces impuretés pourraient boucher le filtre et les soupapes d'admission et s'y agglutiner, nuisant ainsi au bon fonctionnement du compresseur d'air.

**⚠ AVERTISSEMENT** : La pompe de compresseur d'air et le déflecteur ont été conçus pour assurer un refroidissement adéquat. Les ouvertures d'aération sur le compresseur sont nécessaires pour garder une température de fonctionnement appropriée. Ne placez pas de chiffons ou d'autres contenants sur les ouvertures ou à proximité de celles-ci.

Placer le compresseur d'air sur une surface plane et s'assurer qu'il repose sur ses pieds de caoutchouc et ses roulettes

## ÉLECTRICITÉ

Consulter toutes les directives de sécurité avant d'utiliser l'appareil. Respecter les directives de sécurité du cordon d'alimentation le cas échéant. Toujours mettre l'interrupteur Auto/Arrêt (A) en position d'ARRÊT avant de retirer la fiche de la prise.

## TRANSPORT

Lors du transport du compresseur d'air dans un véhicule, une remorque, etc. s'assurer que le réservoir d'air soit bien purgé et que l'appareil soit bien ancré. Conduire prudemment pour éviter de basculer l'appareil dans le véhicule. Un basculement risque d'endommager le compresseur ou les pièces contiguës.

## LEVAGE

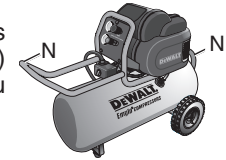
Toujours soulever l'appareil à deux personnes et utiliser les points de transport (N) recommandés. NE PAS le lever par la roues ou le déflecteur.

## DÉPLACEMENT

**⚠ ATTENTION** : Les roues et la poignée n'offrent pas le dégagement, la stabilité ou l'appui nécessaire pour descendre ou monter des escaliers ou des marches avec l'appareil. On doit soulever l'appareil ou le pousser le long d'une rampe.

1. Pour ce faire, saisir la poignée du compresseur et l'incliner vers l'arrière sur ses roues.

**⚠ AVERTISSEMENT** : Garder les pieds bien ancrés et faire preuve d'une grande prudence en transportant le compresseur afin d'éviter de perdre l'équilibre.



2. Une fois le compresseur à l'endroit voulu, l'abaisser lentement sur le sol. **Toujours ranger le compresseur en position horizontal en l'appuyant sur les amortisseurs et les roues.**

## MODE D'EMPLOI

**⚠ AVERTISSEMENT :** Ne pas utiliser cet appareil avant d'avoir lu et compris le mode d'emploi ainsi que l'intégralité des directives de sécurité, d'utilisation et d'entretien.

### Liste de vérification de pré-démarrage (Fig. 1)

1. S'assurer que le commutateur Auto/Arrêt (A) est en position d'ARRÊT.
2. Branchez le cordon d'alimentation dans le bon réceptacle de circuit de dérivation. Consulter la rubrique **Protection de la tension et du circuit** sous *Installation*.
3. S'assurer que le réservoir d'air soit bien purgé, consulter la rubrique **Vidange du réservoir d'air** sous *Entretien*.
4. S'assurer que la soupape de purge (H) soit fermée.
5. S'assurer que la soupape de sûreté (G) fonctionne correctement, consulter la rubrique **Vérification de la soupape de sûreté** sous *Entretien*.
6. Tirez le bouton du régulateur et tourner le bouton du régulateur (D) en sens antihoraire jusqu'à fermeture complète. S'assurer que le manomètre régulé indique 0 psi. Poussez le bouton pour le verrouiller.
7. Fixez le tuyau et les accessoires. **NOTE:** Toujours utiliser un tuyau d'air de 9,5 mm (3/8 po) ou plus prévu pour une pression de 300 psi.

**⚠ AVERTISSEMENT :** Risque d'utilisation dangereuse. Saisir fermement le tuyau en main lors du raccordement ou de la déconnexion pour empêcher un à-coup du tuyau.

**⚠ AVERTISSEMENT :** Risque d'utilisation dangereuse. N'utilisez pas les accessoires endommagés ou portés.

**⚠ AVERTISSEMENT :** Risque d'éclatement. Trop de pression d'air cause un risque sérieux d'éclatement. Vérifiez la pression maximum suggérée par le fabricant pour les outils pneumatiques et les accessoires. La pression de sortie du régulateur ne doit jamais dépasser une pression nominale maximale.

## PROCÉDURES DE FONCTIONNEMENT

### Démarrage (Fig. 1)

1. Utiliser la **Liste de vérification de pré-démarrage** sous *Mode d'emploi*.
2. Mettre l'interrupteur Auto/Arrêt en position AUTO (I) et laisser du temps pour l'accumulation de pression du réservoir. Le moteur s'arrête lorsque la pression du réservoir atteint la **pression de déclenchement**.

**AVIS :** Risques de dommages matériels. L'air comprimé de l'appareil pourrait contenir de l'eau condensée et des brumes d'huile. Ne pas vaporiser de l'air non filtré sur un article que l'humidité pourrait endommager. Certains outils ou dispositifs pneumatiques pourraient requérir de l'air filtré. Lire les directives pour l'outil ou le dispositif pneumatique.

3. Régler le régulateur (D) à la valeur souhaitée. Consulter la rubrique **Régulateur** sous *Caractéristiques*.

### Arrêt (Fig. 1)

1. Mettre l'interrupteur Auto/Arrêt (A) en position d'ARRÊT. **REMARQUE :** Si l'utilisation du compresseur est terminée, suivre les étapes 2 à 6.

- Tirez le bouton du régulateur et tourner le bouton du régulateur (D) en sens antihoraire jusqu'à fermeture complète. S'assurer que le manomètre réglé indique 0 psi. Poussez le bouton pour le verrouiller.
- Retirer le tuyau et l'accessoire.

**⚠ AVERTISSEMENT :** *Risque d'utilisation dangereuse. Saisir fermement le tuyau en main lors du raccordement ou de la déconnexion pour empêcher un à-coup du tuyau.*

- Purger le réservoir d'air, consulter la rubrique **Purger le réservoir d'air** sous *Entretien*. S'assurer que le manomètre du réservoir d'air affiche 0 psi.

**⚠ AVERTISSEMENT :** *Risque d'éclatement. Purger le réservoir d'air quotidiennement. L'eau se condensera dans le réservoir d'air. Si l'eau n'est pas vidangée, elle corrodera et affaiblira le réservoir d'air, provoquant ainsi un risque de rupture du réservoir d'air.*

- Laisser refroidir le compresseur.
- Nettoyer le compresseur d'air avec un chiffon et le ranger dans un endroit sûr sans risque de gel.

## ENTRETIEN

Suivre les procédures suivantes lors de l'entretien ou des réparations du compresseur d'air.

- S'assurer que le commutateur Auto/Arrêt est en position d'ARRÊT.
- Débrancher le compresseur d'air.
- Purger le réservoir d'air.
- Laisser refroidir le compresseur d'air avant de débiter une réparation.

**REMARQUE :** Tous les systèmes de compression d'air comprennent des pièces (par ex., huile, filtres, séparateurs) qui sont régulièrement remplacées. Ces pièces usées pourraient contenir des substances

contrôlées et doivent être mises au rebut conformément aux lois et règlements municipaux, provinciaux, territoriaux et fédéraux.

**REMARQUE :** Noter la position et l'emplacement des pièces au démontage pour faciliter le remontage subséquent.

**REMARQUE :** Toute réparation non décrite dans cette rubrique devrait être exécutée à un centre de réparation de l'usine DEWALT ou un centre de réparation agréé DEWALT.

## Programme d'entretien

Procédure	Quotidienne	Hebdomadaire	Se reporter à l'étiquette d'avertissement sur le réservoir
Vérification de la soupape de sûreté	X		
Inspecter le filtre à air		X	
Vidange du réservoir d'air	X		
Recherche de bruits ou de vibrations inhabituels	X		
Vérification des fuites d'air	X <sup>1</sup>		
Nettoyage de la partie externe du compresseur		X	
Mettre le réservoir hors service			X <sup>2</sup>
1 - Pour trouver des fuites d'air, appliquer une solution d'eau savonneuse autour des joints. Alors que le compresseur développe la pression et que l'accumulation de pression cesse, rechercher toute trace de bulles d'air.			
2 - Pour plus d'informations, composer le 1-800-4-DEWALT (1-800-433-9258).			



## Vérification de la soupape de sûreté

**⚠ AVERTISSEMENT :** *Risque d'éclatement. Si la soupape de sûreté ne fonctionne pas correctement, il peut se produire une surpressurisation, causant ainsi la rupture du réservoir d'air ou une explosion.*

**⚠ AVERTISSEMENT :** *Risque provenant des objets projet. ÉS Toujours utiliser de l'équipement de sécurité homologué : protection oculaire conforme à la norme ANSI Z87.1 (CAN/CSA Z94.3) munie d'écrans latéraux lors de l'utilisation du compresseur.*

Avant de mettre en marche le compresseur, tirez sur la bague de la soupape de sûreté pour vous assurer que la soupape fonctionne librement. **REMARQUE :** Il peut être difficile de tirer sur l'anneau si la pression du réservoir d'air est à 0 psi. Si la soupape est coincée ou ne fonctionne pas bien, il faut la remplacer par une soupape du même type.

## Vidange du réservoir d'air (Fig. 1)

**⚠ AVERTISSEMENT :** *Risque d'utilisation dangereuse. Risque associé au bruit. Les réservoirs d'air contiennent de l'air sous haute pression. Éloigner le visage [ANSI Z87.1 (CAN/CSA Z94.3)] et toutes autres parties du corps de l'orifice de vidange. Porter des lunettes de sécurité lors de la vidange car il y a risque de projection de débris au visage.*

**⚠ AVERTISSEMENT :** *Risque associé au bruit. Utiliser une protection auditive [ANSI S12.6 (S3.19)] car le flux d'air sortant est strident en cours de vidange.*

**REMARQUE :** Tous les systèmes de compression d'air génèrent des condensats qui s'accumulent à un point de vidange (par ex., réservoir, filtre, dispositifs de postrefroidissement ou sécheur). Le condensat contient de l'huile lubrifiante ou des substances contrôlées, ou les deux, et doivent être éliminés conformément aux lois et règlements municipaux, provinciaux, territoriaux et fédéraux.

1. S'assurer que le commutateur Auto/Arrêt (A) en position d'ARRÊT.
2. Déposer un récipient convenable sous la soupape de purge pour recueillir les résidus.
3. Saisir le levier noir de la soupape de purge.
4. Tourner lentement le levier pour purger graduellement l'air du réservoir.

**⚠ AVERTISSEMENT :** *Risque d'éclatement. Purger le réservoir d'air quotidiennement. L'eau se condensera dans le réservoir d'air. Si l'eau n'est pas vidangée, elle corrodera et affaiblira le réservoir d'air, provoquant ainsi un risque de rupture du réservoir d'air.*

**AVIS :** *Risque de dégâts matériels. Évacuez l'eau le réservoir d'air peut contenir l'huile et se rouiller qui peut causer des taches.*

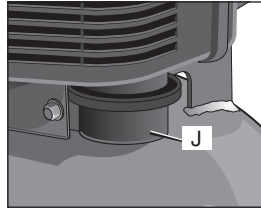
5. Une fois que le manomètre du réservoir affiche 10 psi, tourner complètement le levier en position ouverte.
6. Fermer la soupape de purge dès la fin de l'opération.

## Vérification des éléments du filtre d'air (Fig. 1)

**⚠ AVERTISSEMENT :** *Surfaces chaudes. Risque de brûlure. Le postrefroidisseur, la tête de pompe et les pièces contiguës sont très chaudes – ne pas les toucher. Laisser refroidir le compresseur avant d'effectuer des réparations sur l'appareil.*

1. S'assurer que le commutateur Auto/Arrêt (A) en position d'ARRÊT.

2. Permettez à l'unité de se refroidir.
3. Enlevez la couverture de filtre (J) de la base.
4. Enlevez l'élément de la base de filtre.
5. Placez le nouvel élément en arrière dans la base de filtre. Achetez les pièces de rechange de votre revendeur local ou centre commercial autorisé. Employez toujours les pièces de rechange identiques.
6. Couverture instantanée de filtre pour filtrer la base.



**AVIS :** *Risque d'utilisation dangereuse. Ne pas utiliser sans le filtre d'admission d'air.*

## ACCESSOIRES

Les accessoires recommandés pour votre outil peuvent être achetés auprès du distributeur local ou d'un centre de réparation agréé. Si vous avez besoin d'assistance pour trouver un accessoire pour votre outil, veuillez contacter DEWALT Industrial Tool Co., 701 East Joppa Road, Baltimore, MD 21286, États-Unis, composer le 1-800-4-DEWALT (1-800-433-9258) ou visiter notre site Web à [www.dewalt.com](http://www.dewalt.com).

**⚠ AVERTISSEMENT :** *L'utilisation de tout autre accessoire non recommandé avec cet outil pourrait s'avérer dangereuse. Utiliser uniquement des accessoires de classement égal ou supérieur à celui de la compresseur d'air.*

## INFORMATION SUR LES RÉPARATIONS

Veuillez recueillir les informations suivantes pour tous les appels au Service à la clientèle :

Numéro du modèle \_\_\_\_\_ Numéro de série \_\_\_\_\_  
Date et lieu de l'achat \_\_\_\_\_

## Réparations

Pour assurer la SÉCURITÉ et la FIABILITÉ du produit, les réparations, l'entretien et les réglages doivent être réalisés par un centre de réparation en usine DEWALT, un centre de réparation agréé DEWALT ou par d'autres techniciens qualifiés. Toujours utiliser des pièces de rechange identiques.

## Garantie complète d'un (1) an

Les outils industriels de service intensif de DEWALT sont garantis pour une période de un (1) an à partir de la date d'achat. DEWALT réparera gratuitement toutes déficiences provoquées par un défaut de matériel ou de fabrication. Pour des renseignements relatifs aux réparations sous garantie, composer le 1-800-4-DEWALT (1-800-433-9258). Cette garantie ne s'applique pas aux accessoires ni aux dommages causés par des réparations réalisées ou tentées par des tiers. Cette garantie vous accorde des droits légaux spécifiques et il est possible que vous ayez d'autres droits qui varient d'un État ou d'une province à l'autre.

**AMÉRIQUE LATINE :** Cette garantie ne s'applique pas aux produits vendus en Amérique latine. Pour ceux-ci, veuillez consulter les informations relatives à la garantie spécifique présente dans l'emballage, appeler l'entreprise locale ou consulter le site Web pour les informations relatives à cette garantie.

## REEMPLACEMENT GRATUIT DES ÉTIQUETTES D'AVERTISSEMENT : Si les étiquettes d'avertissement deviennent illisibles ou sont manquantes, composer le 1-800-4-DEWALT (1-800-433-9258) pour en obtenir le remplacement gratuit.

**⚠ WARNING** DRAIN TANK DAILY OR AFTER EVERY 4 HOURS OF USE. CONDENSATION BUILD-UP MAY CAUSE CORROSION INSIDE TANK RESULTING IN TANK FAILURE. SEE MANUAL FOR INSPECTION PROCEDURES.  
TO DRAIN TANK OPEN VALVE SLOWLY AND TILT COMPRESSOR TO EMPTY ACCUMULATED WATER.

**⚠ ADVERTENCIA** DRENE EL TANQUE A DIARIO O DESPUÉS DE CADA 4 HORAS DE USO. LA ACUMULACIÓN DE CONDENSACIÓN PUEDE OCASIONAR CORROSIÓN DENTRO DEL TANQUE Y PRODUCIR LA FALLA DEL TANQUE. CONSULTE EL MANUAL PARA CONOCER LOS PROCEDIMIENTOS DE INSPECCIÓN. PARA DRENEAR EL TANQUE, ABRA LA VÁLVULA LENTAMENTE E INCLINE EL COMPRESOR PARA DRENAR EL AGUA ACUMULADA.

**⚠ AVERTISSEMENT** RÉSERVOIR DE VIDANGE QUOTIDIEN OU APRÈS TOUTES 4 HEURES D'UTILISATION. UN CHARGÉ DE CONDENSATION PEUT CAUSER LA CORROSION À L'INTÉRIEUR DU RÉSERVOIR AVANT POUR RÉSULTAT LE CHÈQUE DE RÉSERVOIR. VOIR LE MANUEL POUR DES PROCÉDURES D'INSPECTION À LA VÁLVUE OUVERTE DE RÉSERVOIR DE VIDANGE LENTEMENT ET AU COMPRESSEUR D'INCLINAISON À L'EAU ACCUMULÉE VIDE.

⚠ WARNING	⚠ ADVERTENCIA	⚠ AVERTISSEMENT
<p>NEVER USE ANY CABLES AND/OR BELLOWS FOLLOW THESE INSTRUCTIONS</p> <p><b>RISK OF BURNING.</b> MAKE SURE THE COMPRESSOR OUTLET PRESSURE IS LOW ENOUGH TO USE BEFORE CONNECTING THE COMPRESSOR. THE PRESSURE MUST BE RELEASED TO THE SAFE WORKING PRESSURE BEFORE THE COMPRESSOR WILL BE USED TO INFLATE TYRES. ALWAYS USE THE VALVE WHICH IS THE SAFEST TO USE.</p> <p><b>RISK OF FIRE OR EXPLOSION.</b> DO NOT SPRAY A FLAMMABLE OR COMBUSTIBLE LIQUID ON TO THE NEAR SPARK AREA. DO NOT SPRAY A COMBUSTIBLE LIQUID ON TO THE NEAR SPARK AREA. THE SPRAY AREA MUST BE WELL VENTILATED. KEEP COMPRESSOR AT LEAST 10 FEET AWAY FROM SPARK AREA. DO NOT CARRY AND OPERATE THE COMPRESSOR IN ANY OTHER POSITION. ALWAYS WEAR THE SPARK ARRESTOR BEFORE USING.</p> <p><b>SPRINKLER.</b> USE A MINIMUM OF 20 FEET OF HOSE TO CONNECT A SPRINKLER TO THE COMPRESSOR.</p> <p><b>RISK OF PERSONAL INJURY.</b> NEVER SAFETY CLIPPER, NEVER SPRAY COMPRESSOR ON TO MATERIALS THAT COULD BE SET ON FIRE. COMPRESSOR IS FOR AIR ONLY. DO NOT USE FOR OTHER PURPOSES.</p> <p><b>RISK OF ELECTRICAL SHOCK.</b> ALWAYS USE VOLTAGE CHECKER TO VERIFY BEFORE REPAIRING CIRCUIT. DO NOT FORCE TO TURN. STOP WORK IMMEDIATELY IF YOU FEEL SHOCK. STOP WORK IMMEDIATELY IF YOU FEEL SHOCK. STOP WORK IMMEDIATELY IF YOU FEEL SHOCK.</p> <p><b>REPAIR INSTRUCTIONS.</b></p>	<p>EL USO INDEBIDO PUEDE CAUSAR LESIONES. SIGUIR ESTAS INSTRUCCIONES</p> <p><b>RIESGO DE ESTALLIDO.</b> ASEGURESE QUE LA VALVULA DE SALIDA DEL COMPRESOR ESTE SUFICIENTE PARA USARLA ANTES DE OPERARLA. LA PRESION DEBE SER BASTANTE BAJA PARA USARLA ANTES DE OPERARLA. LA PRESION DEBE SER BASTANTE BAJA PARA USARLA ANTES DE OPERARLA. LA PRESION DEBE SER BASTANTE BAJA PARA USARLA ANTES DE OPERARLA.</p> <p><b>RIESGO DE FUEGO O EXPLOSION.</b> NO VERSEAR UN LIQUIDO INFLAMMABLE O COMBUSTIBLE CERCA DE CHISPAS. LA ZONA DE NEBLA DE FUEGO DEBE SER BIEN VENTILADA. MANTENGA EL COMPRESOR A AL MENOS 10 METROS DE LA ZONA DE CHISPAS. NO LLEVAR Y OPERAR EL COMPRESOR EN OTRA POSICION. SIEMPRE USAR EL PROTECTOR ANTES DE USAR.</p> <p><b>ROCIADOR.</b> USAR UN MINIMO DE 20 METROS DE TUBERIA PARA CONECTAR UN ROCIADOR AL COMPRESOR.</p> <p><b>RIESGO DE LESIONES PERSONALES.</b> NUNCA CLIPPER DE SEGURIDAD, NUNCA VERSEAR EL COMPRESOR EN MATERIALES QUE PUEDAN ENCENDERSE. EL COMPRESOR ES PARA AIRE SOLO. NO USAR PARA OTROS FINES.</p> <p><b>RIESGO DE CHOQUE ELECTRICIDAD.</b> SIEMPRE USAR UN VERIFICADOR DE VOLTAJE ANTES DE REPARAR EL CIRCUITO. NO FUERZAR A GIRAR. DEJAR DE TRABAJAR INMEDIATAMENTE SI SE SIENTE UN CHOQUE. DEJAR DE TRABAJAR INMEDIATAMENTE SI SE SIENTE UN CHOQUE. DEJAR DE TRABAJAR INMEDIATAMENTE SI SE SIENTE UN CHOQUE.</p> <p><b>PARA SOLUCIONES COMPLETAS, OPERACIONES E INSTRUCCIONES PARA REPARAR, LEER EL MANUAL DEL OPERADOR.</b></p>	<p>UNE UTILISATION INCORRECTE PEUT ÊTRE DANGEREUSE. SUIVRE LES INSTRUCTIONS</p> <p><b>RISQUE D'ÉCHAUFFEMENT.</b> ASSUREZ-VOUS QUE LA PRESSION DE SORTIE DU COMPRESSEUR EST SUFFISAMMENT BASSE POUR L'UTILISER AVANT D'OPÉRER. LA PRESSION DOIT ÊTRE SUFFISAMMENT BASSE POUR L'UTILISER AVANT D'OPÉRER. LA PRESSION DOIT ÊTRE SUFFISAMMENT BASSE POUR L'UTILISER AVANT D'OPÉRER.</p> <p><b>RISQUE D'INCENDIE OU D'EXPLOSION.</b> NE PAS VERSEMER DE LIQUIDES INFLAMMABLES OU COMBUSTIBLES PRÈS DES CHISPES. LA ZONE DE NEBLA DE FUEGO DOIT ÊTRE BIEN VENTILÉE. GARDER LE COMPRESSEUR À AU MOINS 10 MÈTRES DE LA ZONE DE CHISPES. NE PAS PORTER ET OPÉRER LE COMPRESSEUR EN AUTRE POSITION. TOUJOURS PORTER LE PROTECTEUR AVANT D'UTILISER.</p> <p><b>VERREUSE.</b> UTILISER UN MINIMUM DE 20 MÈTRES DE TUYAU POUR RACCORDER UN VERREUSE AU COMPRESSEUR.</p> <p><b>RISQUE DE BLESSURES PERSONNELLES.</b> NE JAMAIS CLIPPER DE SÉCURITÉ, NE JAMAIS VERSEMER LE COMPRESSEUR SUR DES MATÉRIELS QUI PEUVENT S'ENFLEMMER. LE COMPRESSEUR EST DESTINÉ À L'AIR SEULEMENT. NE PAS L'UTILISER À D'AUTRES FINS.</p> <p><b>RISQUE DE CHOC ÉLECTRIQUE.</b> TOUJOURS VÉRIFIER LA TENSION AVANT DE RÉPARER LE CIRCUIT. NE PAS FORCER LA MANÈVRE. ARRÊTER TRAVAIL IMMÉDIATEMENT SI VOUS SENTEZ UN CHOC. ARRÊTER TRAVAIL IMMÉDIATEMENT SI VOUS SENTEZ UN CHOC. ARRÊTER TRAVAIL IMMÉDIATEMENT SI VOUS SENTEZ UN CHOC.</p> <p><b>RISQUE DE CHOC ÉLECTRIQUE.</b> VÉRIFIER LA TENSION AVANT DE RÉPARER LA MACHINE AVANT D'OPÉRER. NE PAS FORCER LA MANÈVRE. ARRÊTER TRAVAIL IMMÉDIATEMENT SI VOUS SENTEZ UN CHOC. ARRÊTER TRAVAIL IMMÉDIATEMENT SI VOUS SENTEZ UN CHOC. ARRÊTER TRAVAIL IMMÉDIATEMENT SI VOUS SENTEZ UN CHOC.</p> <p><b>REPARER INSTRUCTIONS.</b></p>

<p><b>⚠ WARNING</b> ALWAYS WEAR THE SPARK ARRESTOR BEFORE USING. NEVER SPRAY COMPRESSOR ON TO MATERIALS THAT COULD BE SET ON FIRE. COMPRESSOR IS FOR AIR ONLY. DO NOT USE FOR OTHER PURPOSES.</p>	<p><b>⚠ WARNING</b> HOT SURFACES</p>
<p><b>⚠ ADVERTENCIA</b> SIEMPRE USAR EL PROTECTOR ANTES DE USAR. NUNCA VERSEAR EL COMPRESOR EN MATERIALES QUE PUEDAN ENCENDERSE. EL COMPRESOR ES PARA AIRE SOLO. NO USAR PARA OTROS FINES.</p>	<p><b>⚠ ADVERTENCIA</b> SUPERFICIES CALIENTES</p>
<p><b>⚠ AVERTISSEMENT</b> TOUJOURS PORTER LE PROTECTEUR AVANT D'UTILISER. NE JAMAIS VERSEMER LE COMPRESSEUR SUR DES MATÉRIELS QUI PEUVENT S'ENFLEMMER. LE COMPRESSEUR EST DESTINÉ À L'AIR SEULEMENT. NE PAS L'UTILISER À D'AUTRES FINS.</p>	<p><b>⚠ AVERTISSEMENT</b> SURFACES CHAUDES</p>

## GLOSSAIRE

**CFM** : pied cube par minute.

**SCFM** : pied cube par minute (standard), une unité de mesure du soufflage.

**PSI** : livres par pouce carré, une unité de mesure de pression.

**Code de certifications** : les produits qui affichent un ou plusieurs des étampes suivantes : UL\*, CUL, ETL\*, CETL ont été évalués pas un laboratoire de sécurité indépendant sanctionné par l'OSHA et qui répond aux normes en vigueur des en ce qui a trait à la sécurité.

\* UL® est une marque de commerce déposée d'Underwriters Laboratories et ETL® est une marque de commerce déposée d'Electrical Testing Laboratories.

**Pression d'enclenchement** : lorsque le moteur est éteint, la pression du réservoir d'air chute quand vous continuez à utiliser votre accessoire. Lorsque la pression du réservoir chute pour atteindre un niveau bas, le moteur se remet en marche automatiquement. La basse pression à laquelle le moteur se remet en marche automatiquement est appelée **pression d'enclenchement**.

**Pression de déclenchement** : lorsqu'un compresseur d'air est mis sous tension et se met à fonctionner, la pression d'air dans le réservoir d'air commence à s'accumuler. Une haute pression s'accumule avant que le moteur se mette automatiquement hors tension en protégeant votre réservoir d'air d'une pression supérieure à sa capacité. La haute pression à laquelle le moteur se met hors tension est appelée **pression de déclenchement**.

**Circuit de dérivation** : le circuit qui transporte de l'électricité du panneau électrique à la prise.

**Cycle de travail** : cette pompe du compresseur d'air peut fonctionner en continu. Cependant, pour prolonger la durée de vie de votre compresseur, il est recommandé de maintenir un cycle de travail de 50 % à 75 % en moyenne, donc que la pompe du compresseur ne doit pas fonctionner plus de 30 à 45 minutes par heure.

Français

## Guide de dépannage

Cette section énumère les défaillances les plus communes, leurs causes et les mesures correctives. L'opérateur ou le personnel d'entretien peut exécuter certaines mesures correctives, d'autres exigent l'assistance d'un technicien DEWALT qualifié ou du distributeur.

Problème	Code
Pression excessive dans le réservoir d'air - la soupape de sûreté claque .....	1, 2
Fuites d'air .....	3
Fuites d'air dans le réservoir d'air ou dans les soudures du réservoir d'air .....	4
Fuites d'air entre la tête et la plaque porte-soupapes .....	5
Fuites d'air à la soupape de sûreté.....	6
Cliquetis .....	6
Le relevé de pression sur le manomètre réglementé chute lorsque l'accessoire est utilisé .....	7
Le compresseur ne fournit pas la quantité d'air requise pour le fonctionnement d'accessoires.....	8, 9, 10, 11, 12, 22
Fuite d'air continue au bouton du régulateur .....	13
Le régulateur ne parvient pas à fermer la sortie d'air.....	13
Pompe refuse de fonctionner .....	6, 14, 15, 16, 17, 18, 19, 20
Sifflement.....	21

## Codes de dépannage

CODE	CAUSE PROBABLE	SOLUTION PROBABLE
1	Le manocontacteur n'éteint pas le moteur lorsque le compresseur atteint la pression de déclenchement.	Mettre l'interrupteur Auto/Arrêt en position d'ARRÊT, si l'appareil ne s'éteint pas, contacter un centre de réparation en usine de DEWALT ou un centre de réparation agréé DEWALT.
2	La pression de l'interrupteur de déclenchement est trop élevée	Communiquer avec un centre de réparation en usine de DEWALT ou un centre de réparation agréé DEWALT.
3	Les raccords de tube ne sont pas assez serrés.	Serrer les raccords qui émettent un sifflement de fuite d'air. Contrôler les raccords avec une solution d'eau savonneuse. <b>Ne serrez pas trop.</b>

CODE	CAUSE PROBABLE	SOLUTION PROBABLE
4	Réservoir d'air défectueux	Le réservoir d'air doit être remplacé. Ne pas réparer la fuite. <b>▲ AVERTISSEMENT</b> : Risque d'éclatement. Ne pas percer le réservoir d'air, ni le souder ou le modifier de quelque manière qui soit. Ces interventions l'affaibliront. Le réservoir risque de rompre ou d'exploser.
5	Joints d'étanchéité fuyants	Communiquer avec un centre de réparation en usine de DEWALT ou un centre de réparation agréé DEWALT.
6	Soupape de sûreté défectueuse	Faites fonctionner la soupape manuellement en tirant sur la bague. Si la soupape fuit toujours, la remplacer.
7	Le régulateur n'est pas réglé correctement pour l'accessoire utilisé	Il est normal que la pression chute lorsqu'un accessoire est utilisé, <b>ajuster le régulateur</b> comme indiqué sous <i>Caractéristiques</i> si la pression chute trop. <b>REMARQUE</b> : Régler la pression régulée sous des conditions de travail avec l'utilisation de l'accessoire.
8	Utilisation excessive prolongée de l'air	Diminuer la quantité d'air utilisée.
9	Le compresseur ne dispose pas de la capacité adéquate pour l'utilisation d'accessoires	Vérifier les exigences d'air de l'accessoire. Si elles sont supérieures au CFM ou à la pression fournie par le compresseur d'air, un compresseur de plus grande capacité est requis pour l'utilisation de l'accessoire.
10	Trou dans le tuyau d'air	Remplacer le tuyau d'air.
11	Clapet obstrué	Retirer, nettoyer ou remplacer.
12	Fuites d'air	Serrez les raccords.
13	Le régulateur est endommagé	Le remplacer.

CODE	CAUSE PROBABLE	SOLUTION PROBABLE
14	Le commutateur de protection de surcharge du moteur a été déclenché.	Consulter la rubrique <b>Surcharge du moteur</b> sous <i>Caractéristiques</i> . Si la protection de surcharge de moteur se déclenche fréquemment, Communiquer avec un centre de réparation en usine de DEWALT ou un centre de réparation agréé DEWALT.
15	La pression du réservoir excède la pression d'enclenchement du commutateur	Le moteur démarre automatiquement lorsque la pression du réservoir chute sous la pression d'enclenchement.
16	La rallonge n'a pas la bonne longueur ou épaisseur	Vérifier la bonne longueur ou épaisseur du cordon. Consulter la rubrique <b>Rallonges</b> sous <i>Installation</i> .
17	Raccords électriques lâches	Communiquer avec un centre de réparation en usine de DEWALT ou un centre de réparation agréé DEWALT.
18	Possibilité d'un moteur	Communiquer avec un centre de réparation en usine de DEWALT ou un centre de réparation agréé DEWALT.
19	Présence de peinture sur les pièces internes du moteur	Communiquer avec un centre de réparation en usine de DEWALT ou un centre de réparation agréé DEWALT. Ne pas faire fonctionner le compresseur dans une zone de pulvérisation de peinture. Lire l'avertissement concernant les <b>risque d'explosion ou d'incendie</b> de la rubrique <i>Directives de sécurité importantes</i> .

CODE	CAUSE PROBABLE	SOLUTION PROBABLE
20	Fusible grillé, disjoncteur déclenché	<ol style="list-style-type: none"> <li>1. Vérifiez la boîte à fusibles et remplacez les fusibles, au besoin. Remettez le disjoncteur à zéro. N'utilisez pas un fusible ou un disjoncteur ayant une puissance nominale supérieure à ce qui est précisé pour votre circuit de dérivation.</li> <li>2. Vérifiez s'il s'agit du bon fusible. Utilisez seulement des fusibles temporisés.</li> <li>3. Vérifiez s'il y a un problème de basse tension et/ou de mauvaise rallonge.</li> <li>4. Débranchez les autres appareils électriques du circuit ou faites fonctionner le compresseur sur son propre circuit de dérivation.</li> </ol>
21	Courroie usée	Communiquer avec un centre de réparation en usine de DEWALT ou un centre de réparation agréé DEWALT.
22	Filtre d'admission d'air obstrué	Nettoyer ou remplacer le filtre d'admission d'air. Ne pas utiliser le compresseur d'air sans le filtre. Se reporter au paragraphe relatif au <b>filtre à air</b> de la rubrique <i>Entretien</i> .

## Compresor de aire D55167

- A. Interruptor de auto(I)/apagado (O) G. Válvula de seguridad  
 B. Manómetro del tanque de aire H. Válvula de drenaje del tanque  
 C. Regulado de aire (no demostrado)  
 D. Regulador de presión I. Enrollacable eléctrico  
 E. Conectores rápidos J. Filtro de entrada de aire  
 F. Válvula de control

### Especificaciones de la Bomba y el Motor

Voltaje: 120V, una sola fase

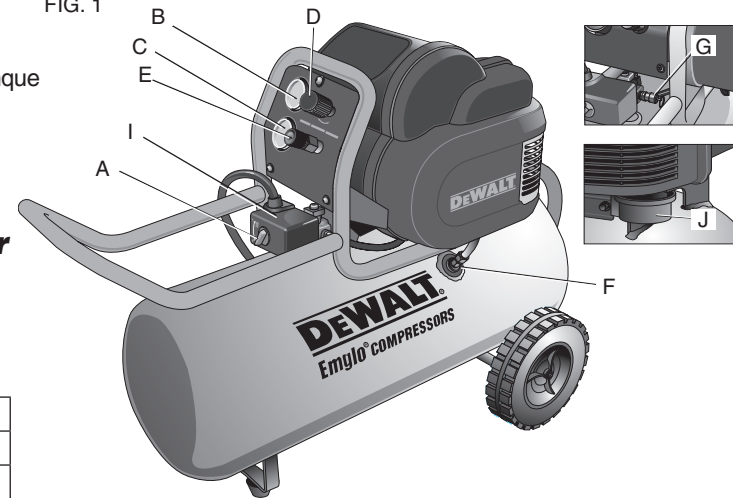
Requisito mínimo para el circuito de derivación: 15 A

Fusible de tipo acción retardada

### Especificaciones

MODELO	D55167
PESO	38,6 kg (85 libras)
ALTURA	698,5 mm (27,5 pulg.)
ANCHO	457,2 mm (18,0 pulg.)
LONGITUD	539,8 mm (21,25 pulg.)
CAPACIDAD DEL TANQUE DE AIRE	56,8 litros (15 galones)
PRESIÓN DE ARRANQUE APROXIMADA	160 psi
PRESIÓN DE CORTE APROX.	200 psi
SCFM A 90 PSI	4,8 *
NIVEL DE RUIDO	79 dBA +
*Probado según la norma ISO 1217:1996	
+ Probado según la norma ISO 3744:1994	

FIG. 1



### Valores de emisión de ruido declarados según ISO 3744

#### Válvulas de emisión de ruido

Nivel de presión del sonido:	LpA = 79,0 dBA re 20μPA
Incertidumbre en el nivel de presión del sonido:	KpA = 3,0 dBA re 20μPA
Nivel de potencia del sonido:	LwA = 93,0 dBA re 1 pw
Incertidumbre en el nivel de potencia del sonido:	KwA = 3,0 dBA re 1 pw

La suma del valor de emisión y de la incertidumbre es el límite debajo del cual hay un porcentaje de confianza del 95% de que estará el valor de una herramienta cuando la herramienta es nueva.



### **Definiciones: Normas de seguridad**

Las siguientes definiciones describen el nivel de gravedad de cada advertencia. Lea el manual y preste atención a estos símbolos.

**⚠ PELIGRO:** Indica una situación de peligro inminente que, si no se evita, **provocará la muerte o lesiones graves.**

**⚠ ADVERTENCIA:** Indica una situación de peligro potencial que, si no se evita, **podría provocar la muerte o lesiones graves**

**⚠ ATENCIÓN:** Indica una situación de peligro potencial que, si no se evita, **puede provocar lesiones leves o moderadas.**

**AVISO:** Se refiere a una práctica **no relacionada a lesiones corporales** que de no evitarse **puede resultar en daños a la propiedad.**

SI TIENE ALGUNA PREGUNTA O DESEA HACER ALGÚN COMENTARIO SOBRE ESTA O CUALQUIER OTRA HERRAMIENTA DEWALT, LLAME SIN COSTO AL: 1-800-4-DEWALT (1-800-433-9258)

### **Instrucciones de seguridad importantes**

**⚠ ADVERTENCIA:** No opere esta unidad hasta que haya leído y comprendido este manual de instrucciones de seguridad, operación y mantenimiento.

**⚠ ADVERTENCIA:** Este producto contiene sustancias químicas, incluido el plomo, reconocidas por el Estado de California como causantes de cáncer, defectos de nacimiento u otros problemas reproductivos. **Lávese las manos después de utilizarlo.**

**⚠ ADVERTENCIA:** Algunos tipos de polvo contienen sustancias químicas, como el amianto y el plomo de las pinturas de base plomo, reconocidas por el Estado de California como causantes de cáncer, defectos de nacimiento u otros problemas

### **GUARDE ESTAS INSTRUCCIONES**



**⚠ PELIGRO: RIESGO DE EXPLOSIÓN O INCENDIO**

#### **¿QUÉ PUEDE SUCEDER?**

- Es normal que los contactos eléctricos dentro del motor y el interruptor de presión produzcan chispas.
- Si las chispas eléctricas del compresor entran en contacto con vapores inflamables, pueden encenderse, provocando un incendio o una explosión.

#### **CÓMO EVITARLO**

- Opere siempre el compresor en un área bien ventilada libre de materiales combustibles, gasolina o vapores de solventes.
- Si se pulverizan materiales inflamables, ubique el compresor al menos a 6,1 m (20 pies) del área de pulverización. Se puede necesitar manguera adicional.
- Guarde los materiales inflamables en lugar seguro lejos del compresor.

- Restringir cualquiera de las aberturas de ventilación del compresor puede producir un sobrecalentamiento grave y podría provocar un incendio.
- Nunca coloque objetos contra o sobre el compresor.
- Opere el compresor en un lugar abierto con una distancia de al menos 30,5 cm (12 pulg.) a cualquier pared u obstrucción que pudiera restringir el flujo de aire fresco a las aberturas de ventilación.
- Opere el compresor en un área limpia, seca y bien ventilada. No opere la unidad dentro de la casa o en un área muy cerrada.
- El funcionamiento sin atención de este producto podría provocar lesiones personales o daños a la propiedad. Para disminuir el riesgo de incendio, no permita que el compresor funcione sin que alguien lo controle.
- Permanezca siempre controlando el producto cuando está en funcionamiento.
- Siempre apague y desenchufe la unidad cuando no esté en uso.



### ▲ PELIGRO: RIESGO RESPIRATORIO (ASFIXIA)

#### ¿QUÉ PUEDE SUCEDER?

- El aire comprimido que sale de su compresor no es seguro para respirarlo. El flujo de aire puede contener monóxido de carbono, vapores tóxicos o partículas sólidas del tanque de aire. Respirar estos contaminantes puede provocar lesiones graves o la muerte.
- La exposición a productos químicos en el polvo producido por las herramientas eléctricas al lijar, aserrar, esmerilar, taladrar y otras actividades de la construcción puede ser peligrosa.
- Los materiales pulverizados como pintura, solventes para pinturas, removedor de pintura, insecticidas y herbicidas pueden contener vapores dañinos y venenos.

#### CÓMO EVITARLO

- El aire que se obtiene directamente del compresor no se debe usar nunca para consumo humano. El compresor no incluye equipo de seguridad en línea y filtros adecuados para consumo humano.
- Trabaje en un área con buena ventilación cruzada. Lea y siga las instrucciones de seguridad que se proveen en la etiqueta o en la ficha técnica de los materiales que está utilizando. Siempre utilice equipamiento de seguridad certificado: protección respiratoria aprobada por NIOSH/OSHA o una mascarilla facial adecuada diseñada para usar para los fines que usted requiere.



### **▲ ADVERTENCIA: RIESGO DE EXPLOSIÓN**

**Tanque de aire:** El 26 de febrero de 2002, la Comisión de Seguridad para Productos de Consumo de los Estados Unidos publicó el Comunicado # 02-108 sobre la seguridad en los tanques de compresores de aire:

Los tanques receptores de los compresores de aire no tienen una vida útil infinita. La vida útil del tanque depende de diversos factores, incluyendo las condiciones de operación, las condiciones ambientales, la instalación debida del mismo, modificaciones realizadas en el campo y el nivel de mantenimiento que reciba. Es difícil prever cuál será el efecto exacto de estos factores sobre la vida útil del tanque receptor de aire.

Si no se siguen procedimientos de mantenimiento debidos, la corrosión interna de la pared interior del tanque receptor de aire puede causar una ruptura imprevista en el tanque de aire, lo que hará que el aire presurizado escape con fuerza y repentinamente, pudiendo lesionar al usuario.

El tanque de su compresor de aire debe ser dado de baja al final del año que aparece en la etiqueta de advertencia de su tanque.

Las siguientes condiciones pueden llevar a debilitar el tanque de aire y ocasionar la explosión violenta del mismo:

### **¿QUÉ PUEDE SUCEDER?**

- No drenar correctamente el agua condensada del tanque de aire, que provoca óxido y adelgazamiento del tanque de aire de acero.
- Modificaciones o intento de reparación del tanque de aire.
- Las modificaciones no autorizadas de la válvula de seguridad o cualquier otro componente que controle la presión del tanque.

### **CÓMO EVITARLO**

- Drene el tanque diariamente o luego de cada uso. Si un tanque de aire presenta una pérdida, reemplácelo inmediatamente con un tanque nuevo o reemplace todo el compresor.
- Nunca perforo, suelde o haga ninguna modificación al tanque de aire o a sus elementos. Nunca intente reparar un tanque de aire dañado o con pérdidas. Reemplácelo con un tanque de aire nuevo.
- El tanque está diseñado para soportar determinadas presiones de operación. Nunca realice ajustes ni sustituya piezas para cambiar las presiones de operación fijadas en la fábrica.

**Elementos y accesorios:**

- Exceder las indicaciones de presión para las herramientas neumáticas, las pistolas pulverizadoras, los accesorios neumáticos, los neumáticos y otros artículos inflables puede hacer que exploten o revienten, y puede provocar lesiones graves.
- Siga la recomendación del fabricante del equipo y nunca exceda el nivel máximo de presión aceptable para los elementos. Nunca utilice el compresor para inflar objetos pequeños de baja presión, tales como juguetes de niños, pelotas de fútbol o de basquetbol, etc.

**Neumáticos:**

- El inflado excesivo de los neumáticos podría causar lesiones graves y daño a la propiedad.
- Utilice un medidor de presión de neumáticos para controlar la presión de éstos antes de cada uso y mientras los infla; observe el flanco para ver la presión correcta del neumático.

**NOTA:** Los tanques de aire, los compresores y el equipo similar que se usa para inflar neumáticos pequeños como éstos con mucha rapidez. Ajuste el regulador de presión en el suministro de aire a un valor que no supere el de la presión del neumático. Agregue aire en forma gradual y use con frecuencia el medidor de presión de neumáticos para evitar inflarlos.

**⚠ ADVERTENCIA: RIESGO DE DESCARGA ELÉCTRICA****¿QUÉ PUEDE SUCEDER?**

- Su compresor de aire funciona con electricidad. Como cualquier otro mecanismo que funciona con electricidad, si no se lo utiliza correctamente puede provocar descargas eléctricas.
- Que personal no calificado intente realizar reparaciones puede provocar lesiones graves o muerte por electrocución.

**CÓMO EVITARLO**

- Nunca haga funcionar el compresor al aire libre cuando está lloviendo o en condiciones de humedad.
- Nunca haga funcionar el compresor sin las cubiertas de protección o si están dañadas.
- Cualquier cableado eléctrico o las reparaciones requeridas para este producto deben ser realizadas por un centro de servicio de fábrica DEWALT o un centro de mantenimiento autorizado DEWALT de acuerdo con los códigos eléctricos nacionales y locales.
- **Puesta a tierra:** La no colocación de la puesta a tierra adecuada para este producto puede provocar lesiones graves o muerte por electrocución. **Consulte las Instrucciones de Conexión a tierra en *Instalación*.**
- Asegúrese de que el circuito eléctrico al que se conecta el compresor suministre la conexión a tierra adecuada, el voltaje adecuado y el fusible de protección adecuado.



**⚠ ADVERTENCIA: RIESGO DE OBJETOS DESPEDIDOS**

**¿QUÉ PUEDE SUCEDER?**

- La corriente de aire comprimido puede provocar lesiones en los tejidos blandos de la piel expuesta y puede impulsar suciedad, astillas, partículas sueltas y objetos pequeños a gran velocidad, que pueden producir daños en la propiedad y lesiones personales.

**CÓMO EVITARLO**

- Utilice siempre equipo de seguridad certificado: anteojos de seguridad ANSI Z87.1 (CAN/CSA Z94.3) con protección lateral al usar el compresor.
- Nunca apunte ninguna boquilla ni pulverizador a ninguna parte del cuerpo o a otras personas o animales.
- Apague siempre el compresor y drene la presión de la manguera de aire y del tanque de aire antes de intentar hacer mantenimiento, conectar herramientas o accesorios.



**⚠ ADVERTENCIA: RIESGO DE SUPERFICIES CALIENTES**

**¿QUÉ PUEDE SUCEDER?**

- Tocar metal expuesto como el cabezal del compresor, el cabezal del motor, el escape del motor, o los tubos de salida puede provocar quemaduras graves.

**CÓMO EVITARLO**

- Nunca toque ninguna parte metálica expuesta del compresor durante o inmediatamente después de su funcionamiento. El compresor continuará caliente durante varios minutos después de su funcionamiento.
- No toque las cubiertas protectoras ni intente realizar mantenimiento hasta que la unidad se haya enfriado.



### ⚠ **ADVERTENCIA: RIESGO POR PIEZAS MÓVILES**

#### ¿QUÉ PUEDE SUCEDER?

- Las piezas móviles como la polea, el volante y la correa pueden provocar lesiones graves si entran en contacto con usted o con sus ropas.

#### CÓMO EVITARLO

- Nunca haga funcionar el compresor sin los protectores o cubiertas o si los mismos están dañados.
- Mantenga el cabello, la ropa y los guantes alejados de las piezas en movimiento. Las ropas holgadas, las joyas o el cabello largo pueden quedar atrapados en las piezas móviles.
- Los orificios de ventilación pueden cubrir piezas en movimiento, por lo que también se deben evitar.
- Cualquier reparación requerida por este producto debe ser realizada por un centro de servicio de fábrica DEWALT o un centro de servicio autorizado DEWALT.

- Intentar hacer funcionar el compresor con partes dañadas o faltantes, o intentar reparar el compresor sin las cubiertas protectoras puede exponerlo a piezas móviles lo que puede provocar lesiones graves.



### ⚠ **ADVERTENCIA: RIESGO DE OPERACIÓN INSEGURA**

#### ¿QUÉ PUEDE SUCEDER?

- La operación insegura de su compresor de aire podría producir lesiones graves o la muerte, a usted mismo o a otras personas.

#### CÓMO EVITARLO

- Revise y comprenda todas las instrucciones y advertencias de este manual.
- Familiarícese con la operación y los controles del compresor de aire.
- Mantenga el área de operaciones libre de personas, mascotas y obstáculos.
- Mantenga a los niños alejados del compresor de aire en todo momento.
- No opere el producto cuando esté cansado o bajo la influencia de alcohol o drogas. Manténgase alerta en todo momento.
- Nunca anule las características de seguridad de este producto.

- Equipe el área de operaciones con un extintor de incendios.
- No opere la máquina si faltan piezas, si éstas están rotas o si no son las autorizadas.



### ⚠ **ADVERTENCIA: RIESGO DE CAÍDAS**

#### ¿QUÉ PUEDE SUCEDER?

- Un compresor portátil se puede caer de una mesa, banco o techo, provocando daños al compresor y puede producir lesiones graves o la muerte del operador.

#### CÓMO EVITARLO

- Opere siempre el compresor en una posición estable y segura para evitar que la unidad se mueva accidentalmente. Nunca opere el compresor sobre un techo u otra ubicación elevada. Utilice una manguera de aire adicional para alcanzar las ubicaciones elevadas.



### ⚠ **ADVERTENCIA: RIESGO DE LESIÓN POR LEVANTAR MUCHO PESO**

#### ¿QUÉ PUEDE SUCEDER?

- El intento de levantar un objeto muy pesado puede provocar lesiones graves.

#### CÓMO EVITARLO

- El compresor es demasiado pesado como para que lo levante una sola persona. Consiga ayuda de otras personas para levantarlo.



### ⚠ **ATENCIÓN: RIESGO POR RUIDOS**

#### ¿QUÉ PUEDE SUCEDER?

- En determinadas condiciones y según el período de uso, el ruido provocado por este producto puede originar pérdida de audición.

#### CÓMO EVITARLO

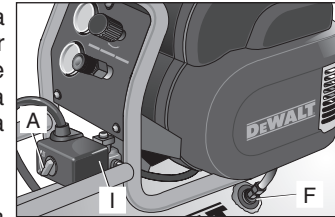
- Utilice siempre equipo de seguridad certificado: protección auditiva ANSI S12.6 (S3.19).

## **CONSERVE ESTAS INSTRUCCIONES PARA FUTURAS CONSULTAS**

### **CARACTERÍSTICAS (FIG. 1)**

#### **INTERRUPTOR DE AUTO/APAGADO**

Coloque este interruptor (A) en la posición AUTO (I) para suministrar energía automática al interruptor de presión y en APAGADO (O) para cortar la energía al final de cada uso.

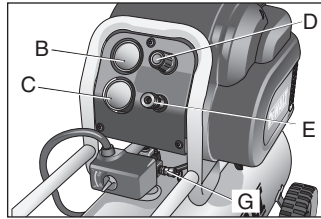


#### **INTERRUPTOR DE PRESIÓN**

El interruptor de presión arranca automáticamente el motor cuando la presión del tanque de aire cae por debajo de la **presión de arranque** fijada en fábrica. Detiene el motor cuando la presión del tanque de aire alcanza la **presión de corte** fijada en fábrica.

## VÁLVULA DE SEGURIDAD

Si el interruptor de presión no apaga el compresor de aire en su punto de presión de corte, la válvula de seguridad (G) protegerá contra la presión alta saltando a la presión fijada en fábrica (ligeramente mayor que la fijada para el corte del interruptor de presión).



## VÁLVULA DE CONTROL

Cuando el compresor de aire está funcionando, la válvula de control (F) está abierta, permitiendo al aire comprimido entrar al tanque de aire. Cuando el compresor de aire alcanza la presión de corte, la válvula de control se cierra, permitiendo que la presión de aire se conserve dentro del tanque de aire.

## MANÓMETRO (MEDIDOR DE PRESIÓN) DEL TANQUE

El manómetro (medidor de presión) del tanque (B) indica la presión de aire de reserva en el tanque.

## MANÓMETRO (MEDIDOR DE PRESIÓN) DE SALIDA

El manómetro (medidor de presión) de salida (C) indica la presión del aire disponible en la salida del regulador. Esta presión la controla el regulador y es siempre menor que o igual a la presión del tanque.

## REGULADOR

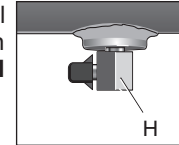
La regulador (D) controla la presión de aire mostrada en el manómetro de salida. Tire de la perilla y gírela en sentido horario para incrementar la presión, y hágalo en sentido inverso para disminuirla. Cuando se logre la presión deseada, presione la perilla para bloquearla.

## CONECTORE RÁPIDO UNIVERSALE

El conector rápido universal (E) acepta los tres estilos más populares de enchufes de conexión rápida: Industrial, para automóviles y ARO. “Empujar para conectar” con una sola mano, esta operación hace que las conexiones sean más simples y fáciles. Los dos conectores rápidos permiten la utilización de dos herramientas al mismo tiempo.

## VÁLVULA DE DRENAJE

La válvula de drenaje (H) está ubicada en la base del tanque de aire y se utiliza para drenar la condensación al terminar cada etapa de uso. Consulte **Drenar el tanque de aire** en la sección *Mantenimiento*.



## SISTEMA DE ENFRIAMIENTO

Este compresor tiene un sistema de enfriamiento de diseño avanzado. Es normal que este ventilador sople aire a través de los orificios de ventilación en cantidades importantes. El sistema de enfriamiento está funcionando cuando se expulsa aire.

## BOMBA DEL COMPRESOR DE AIRE

La bomba comprime el aire en el tanque de aire. No hay aire para trabajar hasta que el compresor no ha elevado la presión del tanque de aire por encima de la requerida en la salida de aire.

## FILTRO DE ENTRADA DE AIRE

El filtro (J) está diseñado para limpiar el aire que ingresa a la bomba. Para asegurar que la bomba reciba continuamente un suministro de aire limpio, fresco y seco, el filtro debe estar siempre limpio y la entrada del filtro libre de obstrucciones.

## PROTECTOR DE SOBRECARGA DEL MOTOR

El motor tiene un protector de sobrecarga térmica. Si el motor se recalienta por alguna razón, el protector de sobrecarga apagará el motor. Se debe permitir que el motor se enfríe antes de volver a encenderlo. Para volver a encenderlo:



1. Coloque la palanca Auto/Apagado en la posición APAGADO y desenchufe la unidad.
2. Espere que el motor se enfríe.
3. Enchufe el cable eléctrico en el receptáculo apropiado del circuito de derivación.
4. Coloque la palanca Auto/Apagado en la posición AUTO.

## INSTALACIÓN

### Ensamblaje

#### INSTALACIÓN DE LAS MANGUERAS

**⚠ ADVERTENCIA:** *Riesgo de operación insegura. Sostenga la manguera firmemente con las manos al instalarla o desconectarla para evitar la desconexión repentina de la manguera.*

1. Asegúrese de que el manómetro regulado marque 0 psi.
2. Tome la manguera por el enchufe de conexión rápida y empuje el enchufe en el conector rápido (E). El acople quedará en la posición correcta.
3. Tome la manguera y tire de ella para asegurarse de que el acople esté bien colocado.

#### DESCONEXIÓN DE LAS MANGUERAS

**⚠ ADVERTENCIA:** *Riesgo de operación insegura. Sostenga la manguera firmemente con las manos al instalarla o desconectarla para evitar la desconexión repentina de la manguera.*

1. Asegúrese de que el manómetro regulado marque 0 psi.
2. Del conector rápido, tire el acople hacia atrás para liberar el enchufe de conexión rápida de la manguera.

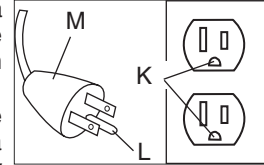
## Instrucciones de conexión a tierra

**⚠ ADVERTENCIA:** *Riesgo de descarga eléctrica. En el caso de cortocircuito, la puesta a tierra reduce el riesgo de descarga eléctrica al proveer un cable de escape para la corriente eléctrica. Este compresor de aire debe estar correctamente conectado a tierra.*

El compresor de aire portátil está equipado con un cable que tiene un cable a tierra con el enchufe a tierra apropiado.

1. El juego de cable y enchufe (M) de esta unidad tiene una pata a tierra (L). Este enchufe **SE DEBE** usar con un tomacorriente con puesta a tierra (K).

**IMPORTANTE:** El tomacorriente que se utiliza debe estar instalado y puesto a tierra de acuerdo con todos los códigos y ordenanzas locales.



2. Asegúrese de que el tomacorriente que se utiliza tenga la misma configuración que el enchufe a tierra. **NO UTILICE UN ADAPTADOR.**
3. Inspeccione el enchufe y el cable cada vez que vaya a utilizarlo. No lo utilice si hay señales de daño.
4. Si no se comprenden completamente estas instrucciones de puesta a tierra, o si tiene dudas sobre si el compresor está puesto a tierra correctamente, haga que un electricista calificado controle la instalación.

**⚠ PELIGRO:** *Riesgo de descarga eléctrica. UNA PUESTA A TIERRA INCORRECTA PUEDE PROVOCAR UNA DESCARGA ELÉCTRICA.*

- No modifique el enchufe provisto. Si no coincide con el tomacorriente disponible, un electricista calificado debe instalar un tomacorriente apropiado.
- Las reparaciones del cable o del enchufe deben ser realizadas por un electricista calificado.

## Cables prolongadores

Si - no obstante - debe utilizarse una extensión de cable, asegúrese de que:

- La extensión eléctrica de 3 conductores, tenga un enchufe de conexión a tierra de 3 hojas, y que exista un receptáculo que acepte el enchufe del producto.
- Esté en buenas condiciones.
- No más largo que 15,2 m (50 pies).
- Calibre 12 (AWG) o mayor. (La medida de los cables se incrementa a medida que su número ordinal decrece. 10 y 8 AWG pueden ser usados también. NO USE 14 NI 16 AWG).

**AVISO:** El uso de cables de extensión eléctrica originará una caída de tensión, lo que determinará una pérdida de potencia del motor así como su recalentamiento. En lugar de utilizar un cable de extensión eléctrica, incremente el alcance de la manguera de aire dentro de la zona de trabajo, añadiéndole otro largo de manguera a su extremo. Conecte los largos adicionales de manguera de acuerdo a su necesidad. Use siempre una manguera de aire de un mínimo de 9,5 mm (3/8 pulg.) o mayor con una capacidad nominal de 300 psi.

## Voltaje y protección del circuito

Consulte el voltaje y los requisitos mínimos del circuito de derivación en la sección Especificaciones de la Bomba y el Motor.

**⚠ ATENCIÓN:** Ciertos compresores de aire se pueden operar mediante un circuito de 15 A si se cumplen las siguientes condiciones.

- El suministro de voltaje al circuito debe cumplir con el Código de Electricidad Nacional.
- El circuito no se utiliza para cubrir ninguna otra necesidad de electricidad.

- Los cables prolongadores cumplen con las especificaciones.
- El circuito está equipado con un disyuntor de 15 A mínimo o un fusible de acción retardada de 15 A. **NOTA:** Si el compresor está conectado a un circuito protegido con fusibles, utilice únicamente fusibles de acción retardada. Los fusibles de acción retardada deben estar marcados "D" en Canadá y "T" en EE.UU.

Si no se puede cumplir alguna de las condiciones indicadas anteriormente, o si el funcionamiento del compresor provoca repetidas interrupciones de energía, puede ser necesario hacerlo funcionar con un circuito de 20 A. No es necesario cambiar el cable.

## Compatibilidad

**NOTA:** Utilice siempre un filtro de línea de aire para eliminar la humedad y el vapor de aceite al pulverizar pintura.

## Lugar

Coloque el compresor de aire en un área limpia, seca y bien ventilada a una distancia de al menos 30,5 cm (12 pulg.) de la pared o cualquier obstrucción que interfieran con el flujo de aire. Mantenga el compresor alejado de áreas que tengan suciedad y/o humo volátil en la atmósfera. Estas impurezas puedan atascar el filtro de entrada y las válvulas, provocando un funcionamiento ineficiente.

**⚠ ADVERTENCIA:** La bomba y la cubierta del compresor de aire están diseñadas para permitir un enfriamiento correcto. Las aberturas de ventilación del compresor son necesarias para mantener la temperatura de operación correcta. No coloque trapos u otros recipientes sobre o cerca de estas aberturas.

Coloque el compresor de aire en una superficie plana apoyado en las patas de goma. Coloque el compresor de aire en una superficie plana apoyado sobre las patas y ruedas de goma.

## ELÉCTRICAS

Consulte todas las instrucciones de seguridad antes de utilizar la unidad. Observe las instrucciones de seguridad del cable prolongador, de ser necesario. Siempre mueva el interruptor de Automático/Apagado (A) a la posición de APAGADO antes de quitar el enchufe del tomacorriente.

## TRANSPORTE

Al transportar el compresor en un vehículo, remolque, etc., asegúrese de que el tanque se haya drenado y que la unidad esté asegurada y colocada. Maneje con cuidado para evitar que la unidad se incline en el vehículo. El compresor o los elementos circundantes se pueden dañar si el compresor se inclina.

## TRASLADAR LA UNIDAD

**⚠ ATENCIÓN:** Las ruedas y la agarradera no brindan espacio, estabilidad ni apoyo adecuados para subir o bajar la unidad por escaleras o escalones. La unidad se debe levantar, o empujar sobre una rampa.

1. Tome la agarradera del compresor e incline el compresor hacia atrás para que se apoye en las ruedas.

**⚠ ADVERTENCIA:** Riesgo de operación insegura. Asegure el punto de apoyo adecuado y tenga precaución al desplazar el compresor de manera que la unidad no se incline ni pierda el equilibrio.

2. Cuando llegue al lugar deseado, baje lentamente compresor hacia el piso. **Siempre guarde el compresor en posición horizontal apoyado sobre protectores de goma y ruedas.**



## PREPARACIÓN PARA EL USO

**⚠ ADVERTENCIA:** No opere esta unidad hasta que haya leído y comprendido este manual de instrucciones de seguridad, operación y mantenimiento.

### Lista de control previa a la puesta en marcha (Fig. 1)

1. Asegúrese de que el interruptor Auto/Apagado (A) está en la posición APAGADO.
2. Enchufe el cable eléctrico en el receptáculo apropiado del circuito de derivación. Consulte **Voltaje y protección del circuito** en la sección *Instalación*.
3. Asegúrese de que el tanque de aire se haya drenado, consulte **Drenar el tanque de aire** en la sección *Mantenimiento*.
4. Asegúrese de que la válvula de drenaje (H) esté cerrada.
5. Asegúrese de que la válvula de seguridad (G) funcione correctamente, consulte **Controlar la válvula de seguridad** en la sección *Mantenimiento*.
6. Tire de la perilla del regulador (D) et gire la perilla en sentido contrario a las agujas del reloj hasta que esté completamente cerrada. Asegúrese de que el manómetro regulado marque 0 psi. Presione la perilla para bloquearla.
7. Conecte la manguera y los accesorios. **NOTA:** use siempre una manguera de aire de un mínimo de 9,5 mm (3/8 pulg.) o mayor con una capacidad nominal de 300 psi.

**⚠ ADVERTENCIA:** Riesgo de operación insegura. Sostenga la manguera firmemente con las manos al instalarla o desconectarla para evitar la desconexión repentina de la manguera.

**⚠ ADVERTENCIA:** Riesgo de operación insegura. No utilice los accesorios dañados o usados.

**⚠ ADVERTENCIA:** *Riesgo de explosión. Demasiada presión de aire produce peligro de estallido. Controle el valor nominal máximo de presión del fabricante para las herramientas y los accesorios neumáticos. La presión de salida del regulador nunca debe exceder el valor máximo de presión.*

## PROCEDIMIENTOS OPERATIVOS

### Puesta en marcha (Fig. 1)

1. Siga la **Lista de control previa a la puesta en marcha** en la sección *Preparación para el uso*.
2. Mueva el botón de Auto/Apagado a la posición ENCENDIDO (I) y permita que se acumule presión en el tanque. El motor se detendrá cuando la presión del tanque alcance la **presión** de corte.

**AVISO:** *Riesgo de daños a la propiedad. El aire comprimido de la unidad puede contener condensación de agua y emanación de aceite. No pulverice aire no filtrado sobre un artículo que podría dañarse con la humedad. Algunos dispositivos o herramientas neumáticas pueden requerir aire filtrado. Lea las instrucciones del dispositivo o la herramienta neumática.*

3. Ajuste el regulador (D) en la configuración deseada. Consulte el punto **Regulador** en la sección *Características*.

### Apagado (Fig. 1)

1. Mueva el interruptor Auto/Apagado (A) hacia la posición APAGADO.  
**NOTA:** Si terminó de utilizar el compresor, siga los pasos 2 a 6.
2. Tire de la perilla del regulador (D) et gire en sentido contrario a las agujas del reloj hasta que esté completamente cerrada. Asegúrese de que el manómetro regulado marque 0 psi. Presione la perilla para bloquearla.
3. Retire la manguera y los accesorios.

**⚠ ADVERTENCIA:** *Riesgo de operación insegura. Sostenga la manguera firmemente con las manos al instalarla o desconectarla para evitar la desconexión repentina de la manguera.*

4. Drene el tanque de aire, consulte **Drenar el tanque de aire** en la sección *Mantenimiento*. Asegúrese de que el manómetro regulado marque 0 psi.

**⚠ ADVERTENCIA:** *Riesgo de explosión. Drene el tanque de aire diariamente. El agua se condensará en el tanque de aire. Si no se drena, el agua corroerá y debilitará al tanque de aire provocando el riesgo de rotura del mismo.*

5. Deje enfriar el compresor.
6. Limpie el compresor de aire y guárdelo en un área segura, que no se congele.

## MANTENIMIENTO

Se deben seguir los siguientes procedimientos cuando se realicen tareas de mantenimiento o servicio en el compresor de aire.

1. Asegúrese de que el interruptor Auto/Apagado esté en la posición APAGADO.
2. Retire el enchufe del compresor de aire del tomacorriente.
3. Drene el tanque de aire.
4. Deje enfriar el compresor de aire antes de comenzar las tareas de mantenimiento.

**NOTA:** Todos los sistemas de aire comprimido contienen piezas de mantenimiento (por ejemplo, aceite, filtros, separadores) que se reemplazan periódicamente. Estas piezas usadas pueden contener sustancias reguladas y se deben desechar conforme a las leyes y reglamentaciones locales, estatales y federales.

**NOTA:** Tome nota de las posiciones y ubicaciones de las piezas durante el desarmado para facilitar el reensamblaje.

**NOTE:** Cualquier tarea de mantenimiento no incluida en esta sección debe ser realizada por un centro de servicio de fábrica DEWALT o un centro de servicio autorizado DEWALT.

## Tabla de mantenimiento

Procedimiento	Diariamente	Semanalmente	Remítase a la etiqueta de advertencia del tanque
Controlar la válvula de seguridad	X		
Inspeccionar el filtro de aire		X	
Drenar el tanque de aire	X		
Controlar ruidos o vibraciones inusuales	X		
Verificar si hay pérdidas de aire	X <sup>1</sup>		
Limpiar el exterior del compresor		X	
El tanque debe ser dado de baja			X <sup>2</sup>
1- Para verificar si hay pérdidas de aire aplique una solución de agua jabonosa alrededor de las juntas. Mientras el compresor bombea para generar presión y luego de que la presión se corte, vea si se forman burbujas de aire.			
2 - Para mayor información, llame al 1- 800-4-DEWALT (1-800-433-9258)			

## Controlar la válvula de seguridad

**⚠ ADVERTENCIA:** Riesgo de explosión. Si la válvula de seguridad no trabaja correctamente, puede haber sobrepresurización, provocando la rotura del tanque de aire o una explosión.

**⚠ ADVERTENCIA:** Riesgo de objetos despedidos. Utilice siempre equipo de seguridad certificado: anteojos de seguridad ANSI Z87.1 (CAN/CSA Z94.3) con protección lateral al usar el compresor.

Antes de arrancar el compresor, tire del anillo de la válvula de seguridad para asegurarse de que la válvula de seguridad trabaja libremente. **NOTA:** Es posible que resulte difícil jalar del anillo cuando la presión del tanque de aire sea 0 psi. Si la válvula está atascada o no opera con facilidad, se la debe reemplazar con el mismo tipo de válvula.

## Drenar el tanque de aire (Fig. 1)

**⚠ ADVERTENCIA:** Riesgo de operación insegura. Riesgo por ruidos. Los tanques de aire contienen aire de alta presión. Mantenga la cara y otras partes del cuerpo lejos de la salida del drenaje. Utilice anteojos de seguridad [ANSI Z87.1 (CAN/CSA Z94.3)], ya que al drenar se pueden desprender residuos hacia la cara.

**⚠ ADVERTENCIA:** Riesgo por ruidos. Utilice protección auditiva [ANSI S12.6 (S3.19)], ya que el ruido del flujo de aire es alto durante el drenaje.

**NOTA:** Todos los sistemas de aire comprimido generan condensación que se acumula en cualquier punto de drenaje (por ejemplo, tanques, filtro, posenfriadores, secadores). Esta condensación contiene aceite lubricante y/o sustancias que pueden estar reguladas y que se deben desechar conforme a las leyes y reglamentaciones locales, estatales y federales.

1. Asegúrese de que el interruptor Auto/Apagado esté en la posición APAGADO.
2. Coloque un recipiente adecuado debajo de la válvula (H) de drenaje para recoger la descarga.
3. Tome el palanca estriado de la válvula de drenaje.
4. Gire lentamente el palanca para descargar aire del tanque de aire en forma gradual.

**⚠ ADVERTENCIA:** Riesgo de explosión. Drene el tanque de aire diariamente. El agua se condensará en el tanque de aire. Si no se drena, el agua corroerá y debilitará al tanque de aire provocando el riesgo de rotura del mismo.

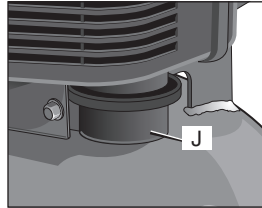
**AVISO:** Riesgo de daño a la propiedad. Drene el agua del tanque de aire puede contener aceite y óxido, lo que puede provocar manchas.

5. Cuando el manómetro del tanque de aire marque 10 psi, gire la válvula hasta la posición de completamente abierta.
6. Cierre la válvula de drenaje cuando termine.

## Controlar el elemento del filtro de aire (Fig. 1)

**⚠ ADVERTENCIA:** Superficies calientes. Riesgo de superficies calientes. El tubo de enchufe, cabeza de la bomba, y las piezas circundantes son muy calientes, no toca. Permita que el compresor se refresque antes del mantenimiento.

1. Asegúrese de que el interruptor Auto/ Apagado (A) esté en la posición APAGADO.
2. Permita que la unidad se frío.
3. Retire la cubierta del filtro (J) de base.
4. Retire el elemento de base del filtro.
5. Ponga el nuevo elemento detrás en base del filtro. Compre las piezas de recambio de su distribuidor local o centro de servicio autorizado. Utilice siempre las piezas de recambio idénticas.
6. Cubierta rápida del filtro para filtrar la base.



**AVISO:** Riesgo de operación insegura. No opere la unidad sin el filtro de entrada de aire.

## ACCESORIOS

Los accesorios que se recomiendan para la herramienta están disponibles para la compra en su distribuidor local o en el centro de mantenimiento autorizado. Si necesita ayuda para localizar algún accesorio para su herramienta, comuníquese con DEWALT Industrial Tool Co., 701 East Joppa Road, Baltimore, MD 21286, llame al 1- 800-4-DEWALT (1-800-433-9258) o visite nuestro sitio Web [www.dewalt.com](http://www.dewalt.com).

**⚠ ADVERTENCIA:** El uso de accesorios no recomendados para utilizar con esta herramienta puede resultar peligroso. Use solamente accesorios con una capacidad nominal igual o superior a la de la compresor de aire.

## Póliza de Garantía

IDENTIFICACIÓN DEL PRODUCTO:

Sello o firma del Distribuidor.

Nombre del producto: \_\_\_\_\_ Mod./Cat.: \_\_\_\_\_

Marca: \_\_\_\_\_ Núm. de serie: \_\_\_\_\_

(Datos para ser llenados por el distribuidor)

Fecha de compra y/o entrega del producto: \_\_\_\_\_

Nombre y domicilio del distribuidor donde se adquirió el producto: \_\_\_\_\_

Este producto está garantizado por un año a partir de la fecha de entrega, contra cualquier defecto en su funcionamiento, así como en materiales y mano de obra empleados para su fabricación. Nuestra garantía incluye la reparación o reposición del producto y/o componentes sin cargo alguno para el cliente, incluyendo mano de obra, así como los gastos de transportación razonablemente erogados derivados del cumplimiento de este certificado.

Para hacer efectiva esta garantía deberá presentar su herramienta y esta póliza sellada por el establecimiento comercial donde se adquirió el producto, de no contar con ésta, bastará la factura de compra.

### EXCEPCIONES.

Esta garantía no será válida en los siguientes casos:

- Cuando el producto se hubiese utilizado en condiciones distintas a las normales;
- Cuando el producto no hubiese sido operado de acuerdo con el instructivo de uso que se acompaña;
- Cuando el producto hubiese sido alterado o reparado por personas distintas a las enlistadas al final de este certificado.

Anexo encontrará una relación de sucursales de servicio de fábrica, centros de servicio autorizados y franquiciados en la República Mexicana, donde podrá hacer efectiva su garantía y adquirir partes, refacciones y accesorios originales.

## Garantía completa de un año

Las herramientas industriales DEWALT para trabajo pesado tienen garantía de un año a partir de la fecha de compra. Repararemos, sin cargo, cualquier defecto debido a fallas en los materiales o a la mano de obra. Para obtener información sobre las reparaciones cubiertas por la garantía, llame al 1-800-4-DEWALT (1-800-433-9258). Esta garantía no se extiende a los accesorios o a los daños causados por terceros al intentar realizar reparaciones. Esta garantía le concede derechos legales específicos; usted goza también de otros derechos que varían según el estado o provincia.

**AMÉRICA LATINA:** Esta garantía no se aplica a los productos que se venden en América Latina. Para los productos que se venden en América Latina, debe consultar la información de la garantía específica del país que viene en el empaque, llamar a la compañía local o visitar el sitio Web a fin de obtener esa información.

## REEMPLAZO GRATUITO DE LAS ETIQUETAS DE ADVERTENCIA: Si sus etiquetas de advertencia se tornan ilegibles o faltan, llame al 1-800-4-DEWALT (1-800-433-9258) para que se le reemplacen gratuitamente.

<p><b>▲ WARNING</b> DRAIN TANK ONLY AFTER EVERY 4 HOURS OF USE. CONDENSATION BUILD-UP MAY CAUSE CORROSION INSIDE TANK RESULTING IN TANK FAILURE. SEE MANUAL FOR INSPECTION PROCEDURES. TO DRAIN TANK OPEN VALVE SLOWLY AND TILT COMPRESSOR TO EMPTY ACCUMULATED WATER.</p> <p><b>▲ ADVERTENCIA</b> DRENE EL TANQUE A DIARIO O DESPUÉS DE CADA 4 HORAS DE USO. LA ACUMULACIÓN DE CONDENSACIÓN PUEDE OCASIONAR CORROSIÓN DENTRO DEL TANQUE Y PROVOCAR FALLA DEL TANQUE. CONSULTE EL MANUAL PARA CONOCER LOS PROCEDIMIENTOS DE INSPECCIÓN. PARA DRENAR EL TANQUE, ABRA LA VALVULA LENTAMENTE E INCLINE EL COMPRESOR PARA ELIMINAR EL AGUA ACUMULADA.</p> <p><b>▲ AVERTISSEMENT</b> RÉSERVOIR DE VIDANGE QUOTIDIEN OU APRÈS TOUTES LES 4 HEURES D'UTILISATION. L'AMBIAGE DE CONDENSATION PEUT CAUSER LA CORROSION À L'INTÉRIEUR DU RÉSERVOIR AVANT POUR RÉSULTAT L'ÉCHEC DE RÉSERVOIR. VOIR LE MANUEL POUR DES PROCÉDURES D'INSPECTION. À LA VALVE OUVRIÈRE DE RÉSERVOIR DE VIDANGE LENTEMENT ET AU COMPRESSEUR D'INCLINAISON À CEAU ACCUMULÉE VIDE.</p>	<p><b>▲ WARNING</b> HOT SURFACES</p> <p><b>▲ ADVERTENCIA</b> SUPERFICIES CALIENTES</p> <p><b>▲ AVERTISSEMENT</b> SURFACES CHAUDES</p>
--	---

<p><b>▲ WARNING</b> INCORRECT USE CAN CAUSE INJURIES. FOLLOW THESE INSTRUCTIONS: <b>RISK OF BURNING:</b> MAKE SURE THE COMPRESSOR IS NOT EXPOSED TO HOT SURFACES. <b>RISK OF FIRE OR EXPLOSION:</b> DO NOT SPRAY A FLAMMABLE OR CORROSIVE LIQUID ON TOOLS OR EQUIPMENT. <b>RISK OF ELECTRICAL SHOCK:</b> DO NOT TOUCH ELECTRICAL WIRES OR ELECTRICAL CONNECTIONS NEAR THE SPRAY AREA. NEVER SWAP WIRE WHEN SPRAYING. USE A WIRE STRIPPER TO STRIP OFF INSULATION TO SPRAY TO THE COMPRESSOR. <b>RISK OF PERSONAL INJURY:</b> WEAR PROTECTIVE GEAR. NEVER SPRAY COMPRESSOR OR MATERIAL AT SELF OR OTHERS. DO NOT USE COMPRESSOR AS A POWER TOOL. REGULATE PRESSURE TO 20 PSI (1.4 BAR). <b>RISK OF ELECTRICAL SHOCK:</b> READ OWNER'S MANUAL FOR COMPLETE SAFETY, OPERATION, AND REPAIR INSTRUCTIONS.</p>	<p><b>▲ ADVERTENCIA</b> EL USO INCORRECTO PUEDE GENERAR LESIONES. SEGUIR ESTAS INSTRUCCIONES: <b>RISGO DE QUEMADURA:</b> ASEGURESE DE QUE LA HERRAMIENTA O EQUIPO NO ESTÉ EXPOSIDO A SUPERFICIES CALIENTES. <b>RISGO DE FUEGO O EXPLOSIÓN:</b> NO DEBE ROCIAR UN LÍQUIDO INFLAMMABLE O CORROSIVO EN LAS HERRAMIENTAS O EQUIPO. <b>RISGO DE GOLPE ELÉCTRICO:</b> NO TOQUE LOS CABLES ELÉCTRICOS O CONEXIONES ELÉCTRICAS CERCA DEL ÁREA DE ROCIADO. NUNCA CAMBIE LOS CABLES ELÉCTRICOS CUANDO ESTÉ ROCIANDO. USE UN CORTACABLES PARA QUITAR EL AISLAMIENTO DE LOS CABLES PARA CONECTAR LA HERRAMIENTA AL COMPRESOR. <b>RISGO DE LESIONES PERSONALES:</b> USE EQUIPO DE PROTECCIÓN PERSONAL. NUNCA DIRIGIR EL CHORRO DE AIRE COMPRESOR A SU PROPIA PERSONA O A OTRAS PERSONAS. NO USE EL COMPRESOR COMO HERRAMIENTA DE TRABAJO. REGULE LA PRESIÓN A 20 PSI (1.4 BAR). <b>RISGO DE GOLPE ELÉCTRICO:</b> LEA EL MANUAL DEL USUARIO PARA OBTENER LA INFORMACIÓN COMPLETA SOBRE LA SEGURIDAD, EL USO Y EL REPARACIÓN.</p>	<p><b>▲ AVERTISSEMENT</b> UNE UTILISATION INCORRECTE PEUT ÊTRE DANGEREUSE. SUIVRE LES INSTRUCTIONS: <b>RISQUE DE BRÛLURE:</b> ASSUREZ-VOUS QUE LA PRESION DE SORTIE DU COMPRESSEUR EST DIRIGÉE EN UN RÉSULTAT VERS LA PRESION ET NE PAS EN DIRECTION DE LA PERSONNE. <b>RISQUE D'INCENDIE OU D'EXPLOSION:</b> NE PAS VERSEZ D'UN LIQUIDE INFLAMMABLE OU CORROSIF SUR LES Outils OU L'ÉQUIPEMENT. <b>RISQUE DE CHOC ÉLECTRIQUE:</b> NE PAS TOUCHER LES CÂBLES ÉLECTRIQUES OU LES CONNEXIONS ÉLECTRIQUES PRÈS DE LA ZONE DE VERSEMENT. NE PAS ÉCHANGER LES CÂBLES ÉLECTRIQUES QUAND VOUS VERSEZ. UTILISEZ UN STRIPPER DE FIL POUR DÉMARRER L'ISOLATION DES CÂBLES POUR REPARER LE COMPRESSEUR. <b>RISQUE DE BLESSURES CORPORELLES:</b> PORTER DES ÉQUIPEMENTS DE PROTECTION ADÉQUATS. NE PAS DIRIGER LE CHORREAU D'AIR COMPRESSEUR SUR SOI-MÊME, SUR D'AUTRES PERSONNES, NI SUR UN MATÉRIEL. RÉGULER LA PRESION À 20 PSI (1.4 BAR). <b>RISQUE DE CHOC ÉLECTRIQUE:</b> LIRE LE MANUEL D'UTILISATION POUR OBTENIR LA MÊME INFORMATION COMPLÈTE CONCERNANT LA SÉCURITÉ, L'UTILISATION ET LES RÉPARATIONS.</p>
--	--	--

**PARA REPARACIÓN Y SERVICIO DE SUS  
HERRAMIENTAS ELÉCTRICAS, FAVOR DE DIRIGIRSE  
AL CENTRO DE SERVICIO MÁS CERCANO**

**CULIACAN, SIN**

Blvd.Emiliano Zapata 5400-1 Poniente  
Col. San Rafael (667) 717 89 99

**GUADALAJARA, JAL**

Av. La Paz #1779 - Col. Americana Sector Juárez (33) 3825 6978

**MEXICO, D.F.**

Eje Central Lázaro Cárdenas No. 18  
Local D, Col. Obrera (55) 5588 9377

**MERIDA, YUC**

Calle 63 #459-A - Col. Centro (999) 928 5038

**MONTERREY, N.L.**

Av. Francisco I. Madero 831 Poniente - Col. Centro (818) 375 23 13

**PUEBLA, PUE**

17 Norte #205 - Col. Centro (222) 246 3714

**QUERETARO, QRO**

Av. San Roque 274 - Col. San Gregorio (442) 2 17 63 14

**SAN LUIS POTOSI, SLP**

Av. Universidad 1525 - Col. San Luis (444) 814 2383

**TORREON, COAH**

Blvd. Independencia, 96 Pte. - Col. Centro (871) 716 5265

**VERACRUZ, VER**

Prolongación Díaz Mirón #4280 - Col. Remes (229) 921 7016

**VILLAHERMOSA, TAB**

Constitución 516-A - Col. Centro (993) 312 5111

**PARA OTRAS LOCALIDADES:**

Si se encuentra en México, por favor llame al (55) 5326 7100

Si se encuentra en U.S., por favor llame al  
1-800-433-9258 (1-800 4-DEWALT)

SOLAMENTE PARA PROPÓSITO DE MÉXICO:

IMPORTADO POR: DEWALT S.A. DE C.V.

BOSQUES DE CIDROS, ACCESO RADIATAS NO.42

3A. SECCIÓN DE BOSQUES DE LAS LOMAS

DELEGACIÓN CUAJIMALPA,

05120, MÉXICO, D.F.

TEL. (52) 555-326-7100

R.F.C.: BDE810626-1W7

Para servicio y ventas consulte  
"HERRAMIENTAS ELÉCTRICAS"  
en la sección amarilla.





## **GLOSARIO**

**CFM:** Pies cúbicos por minuto.

**PSI:** Libras por pulgada cuadrada; una unidad de medida de presión.

**SCFM:** pies cúbicos estándar por minuto; unidad de medida de suministro de aire.

**Certificación de código:** Los productos que tienen una o más de las indicaciones siguientes: UL<sup>®</sup>, CUL, ETL<sup>®</sup>, CETL, han sido evaluados por los laboratorios de seguridad independientes certificados de OSHA y cumplen los estándares de seguridad de cuya aplicación corresponda.

*\* UL<sup>®</sup> es una marca registrada de Underwriters Laboratories y ETL<sup>®</sup> es una marca registrada de Electrical Testing Laboratories.*

**Presión de arranque:** Mientras el motor está apagado, la presión del tanque de aire cae cuando utiliza un accesorio. Cuando la presión del tanque baja a determinado nivel el motor volverá a encenderse automáticamente. La presión baja en la cual el motor se vuelve a encender automáticamente se llama **presión** de arranque.

**Presión de corte:** Cuando se enciende o cuando comienza a funcionar un compresor de aire, comienza a elevarse la presión del aire en el tanque de aire. Se eleva hasta determinada presión antes de que el motor se apague automáticamente, protegiendo a su tanque de aire de una presión de aire mayor a su capacidad. La presión alta en la cual el motor se apaga se llama **presión** de corte.

**Circuito de derivación:** Es el circuito que lleva electricidad del tablero eléctrico al tomacorriente.

**Factor de trabajo:** Esta bomba del compresor de aire puede funcionar en forma continua. Sin embargo, para prolongar la vida útil del compresor de aire, se recomienda que se mantenga un promedio entre un 50% y un 75% de factor de trabajo, por lo que la bomba del compresor de aire no debe funcionar más de 30 a 45 minutos en una hora dada.

## **Guía de detección de problemas**

Esta sección proporciona una lista de las fallas que se presentan con mayor frecuencia, sus causas y las medidas correctivas correspondientes. El operador o el personal de mantenimiento pueden llevar a cabo algunas de estas acciones correctivas, pero es posible que otras necesiten la asistencia de un técnico DEWALT calificado o de su distribuidor.

<b>Problema</b>	<b>Código</b>
Presión excesiva en el tanque de aire: la válvula de seguridad salta .....	1, 2
Pérdidas de aire .....	3
Pérdidas de aire en el tanque de aire o en las soldaduras del tanque de aire .....	4
Pérdidas de aire entre el cabezal y la placa de la válvula.....	5
Pérdidas de aire de la válvula de seguridad .....	6
Ruido de golpeteo.....	6
La lectura de la presión en el manómetro regulado cae cuando se usa un accesorio.....	7
El compresor no suministra suficiente aire para operar los accesorios .....	8, 9, 10, 11, 12, 22
La perilla del regulador tiene una pérdida constante de aire.....	13
El regulador no cierra la salida de aire .....	13
El motor no funciona.....	6, 14, 15, 16, 17, 18, 19, 20
Sonidos agudos .....	21

## **Códigos de detección de problemas**

CÓDIGO	CAUSA POSIBLE	SOLUCIÓN POSIBLE
1	El interruptor de presión no apaga el motor cuando el compresor alcanza la presión de corte.	Ubique el interruptor Auto/Apagado en la posición APAGADO, si la unidad no se apaga comuníquese con un centro de servicio de fábrica DEWALT o con un centro de servicio autorizado DEWALT.
2	El valor de corte del interruptor de presión es demasiado alto	Comuníquese con un centro de servicio de fábrica DEWALT o con un centro de servicio autorizado DEWALT.
3	Las conexiones de los tubos no están bien ajustadas.	Ajuste las conexiones en los lugares donde sienta escapes de aire. Controle las conexiones con una solución de agua jabonosa. <b>No ajuste demasiado.</b>

CÓDIGO	CAUSA POSIBLE	SOLUCIÓN POSIBLE
4	Tanque de aire defectuoso	Se debe reemplazar el tanque de aire. No repare la pérdida. <b>▲ ADVERTENCIA:</b> <i>Riesgo de explosión. No perfore, suelde ni modifique el tanque de aire o el mismo se debilitará. El tanque de aire se puede romper o explotar.</i>
5	Sellos de pérdidas	Comuníquese con un centro de servicio de fábrica DEWALT o con un centro de servicio autorizado DEWALT.
6	Válvula de seguridad defectuosa	Opere la válvula de seguridad manualmente tirando del anillo. Si la válvula aún pierde, debe ser reemplazada.
7	El regulador no está correctamente ajustado para el uso de un accesorio	Es normal que se presente alguna caída de presión cuando se usa un accesorio, ajuste el regulador como se indica en <b>Regulador</b> en la sección <i>Características</i> si la caída es excesiva. <b>NOTA:</b> Ajuste la presión regulada bajo condiciones de flujo mientras se usa el accesorio.
8	Uso excesivo y prolongado de aire	Disminuya el uso de aire.
9	El compresor no es lo suficientemente grande para el accesorio	Controle los requisitos de aire del accesorio. Si es mayor que el flujo de aire o la presión provista por su compresor de aire, necesita un compresor más grande para operar el accesorio.
10	Agujero en la manguera de aire	Reemplace la manguera de aire.
11	Válvula de control restringida	Retire, limpie o reemplace.
12	Pérdidas de aire	Ajuste las conexiones.
13	El regulador está dañado	Reemplácelo

CÓDIGO	CAUSA POSIBLE	SOLUCIÓN POSIBLE
14	Se activó el interruptor de sobrecarga del motor	Consulte <b>Sobrecarga del motor</b> en la sección <i>Características</i> . Si la protección de la sobrecarga del motor dispara con frecuencia, comuníquese con un centro de servicio de fábrica DEWALT o con un centro de servicio autorizado DEWALT.
15	La presión del tanque excede la presión de arranque del interruptor de presión	El motor arrancará en forma automática cuando la presión del tanque descienda por debajo de la presión de arranque del interruptor de presión.
16	El cable prolongador es de longitud o calibre incorrectos	Verifique el calibre del conductor y la longitud del cable adecuados. Consulte <b>Cables prolongadores</b> en la sección <i>Instalación</i> .
17	Conexiones eléctricas flojas	Comuníquese con un centro de servicio de fábrica DEWALT o con un centro de servicio autorizado DEWALT.
18	Posible motor defectuosos	Comuníquese con un centro de servicio de fábrica DEWALT o con un centro de servicio autorizado DEWALT.
19	Piezas internas del motor salpicadas con pintura	Comuníquese con un centro de servicio de fábrica DEWALT o con un centro de servicio autorizado DEWALT. No opere el compresor en la zona salpicada con pintura. Consulte la advertencia sobre <b>Riesgo de explosión o incendio</b> en la sección <i>Instrucciones de seguridad importantes</i> .

CÓDIGO	CAUSA POSIBLE	SOLUCIÓN POSIBLE
20	Fusible quemado, interruptor automático activado	<ol style="list-style-type: none"> <li>1. Controle si hay algún fusible quemado en la caja de fusibles y reemplácelo de ser necesario. Reinicie el interruptor automático. No utilice un fusible o un interruptor automático de valor mayor al especificado para su circuito de derivación en particular.</li> <li>2. Verifique si el fusible es correcto. Utilice solamente un fusible de acción retardada.</li> <li>3. Verifique si hay bajo voltaje y/o si el cable prolongador es el adecuado.</li> <li>4. Desconecte los otros artefactos eléctricos del circuito u opere el compresor sobre su propio circuito de derivación.</li> </ol>
21	Correa desgastada	Comuníquese con un centro de servicio de fábrica DEWALT o con un centro de servicio autorizado DEWALT.
22	Filtro de entrada de aire restringida	Limpie o reemplace el filtro de entrada de aire. No haga funcionar al compresor sin el filtro. Consulte el párrafo <b>Filtro de aire</b> en la sección <i>Mantenimiento</i> .





DEWALT Industrial Tool Co., 701 Joppa Road, Baltimore, MD 21286  
(AUG09) Part No. N043050 D55167 Copyright © 2007, 2008, 2009 DEWALT

The following are trademarks for one or more DEWALT power tools: the yellow and black color scheme; the “D” shaped air intake grill; the array of pyramids on the handgrip; the kit box configuration; and the array of lozenge-shaped humps on the surface of the tool.



## Free Manuals Download Website

<http://myh66.com>

<http://usermanuals.us>

<http://www.somanuals.com>

<http://www.4manuals.cc>

<http://www.manual-lib.com>

<http://www.404manual.com>

<http://www.luxmanual.com>

<http://aubethermostatmanual.com>

Golf course search by state

<http://golfingnear.com>

Email search by domain

<http://emailbydomain.com>

Auto manuals search

<http://auto.somanuals.com>

TV manuals search

<http://tv.somanuals.com>