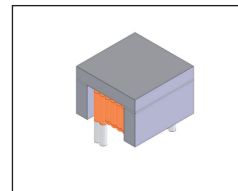


# Through Hole Power Inductors

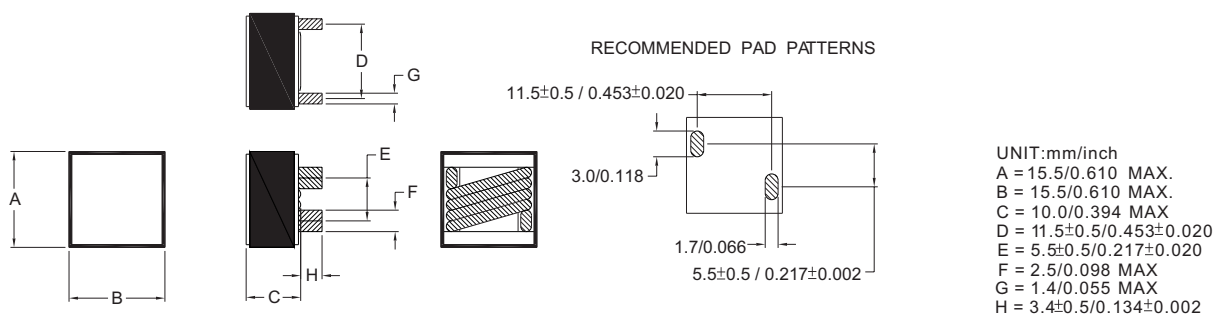
## THCN1510 Type

### Features

- High current ( $I_{sat}$  up to 70A ) though hole type.
- Magnetically shielded, suitable for high density mounting.
- High energy storage and low DCR.
- Ideal for power source circuits, DC-DC converter, DC-AC inverters inductor application.
- In addition to the standard versions shown here, customized inductors are available to meet your exact requirements.



### Mechanical Dimension:



### Electrical Characteristics: At 25°C: 100KHz, 1.0V

PART NO.	$L^1$ ( $\mu$ H)	DCR ( $m\Omega$ ) MAX	$I_{sat}^2$ (A $\cdot$ c)	$I_{rms}^3$ (A $\cdot$ c)
THCN1510-0R3	0.3	0.8	70	40
THCN1510-0R5	0.5	1.0	60	30
THCN1510-0R6	0.6	1.0	40	30
THCN1510-0R9	0.9	2.5	35	25
THCN1510-1R2	1.2	2.5	30	25
THCN1510-1R5	1.5	3.2	25	22
THCN1510-2R2	2.2	3.6	22	18
THCN1510-3R3	3.3	6.0	19	13
THCN1510-4R7	4.7	6.0	9.0	13

- 1.Tolerance of inductance : 0.3~47 $\mu$ H $\pm$ 20%
2. $I_{sat}$  is the DC current which cause the inductance drop less than 20% of its nominal inductance without current
3. $I_{rms}$  is the DC current which cause the surface temperature of the part increase less than 45°C
- 4.Operating temperature: -40°C to 125°C ( including self-temperature rise )



DELTA ELECTRONICS, INC.

(TAOYUAN PLANT CPBG) 252, SAN YING ROAD, KUEISAN INDUSTRIAL ZONE, TAOYUAN SHIEN, 333, TAIWAN, R.O.C.

TEL: 886-3-3591968; FAX: 886-3-3591991

<http://www.deltawww.com>

## Free Manuals Download Website

<http://myh66.com>

<http://usermanuals.us>

<http://www.somanuals.com>

<http://www.4manuals.cc>

<http://www.manual-lib.com>

<http://www.404manual.com>

<http://www.luxmanual.com>

<http://aubethermostatmanual.com>

Golf course search by state

<http://golfingnear.com>

Email search by domain

<http://emailbydomain.com>

Auto manuals search

<http://auto.somanuals.com>

TV manuals search

<http://tv.somanuals.com>