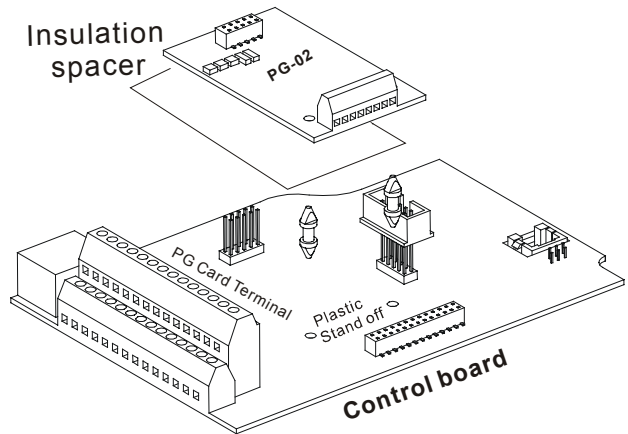
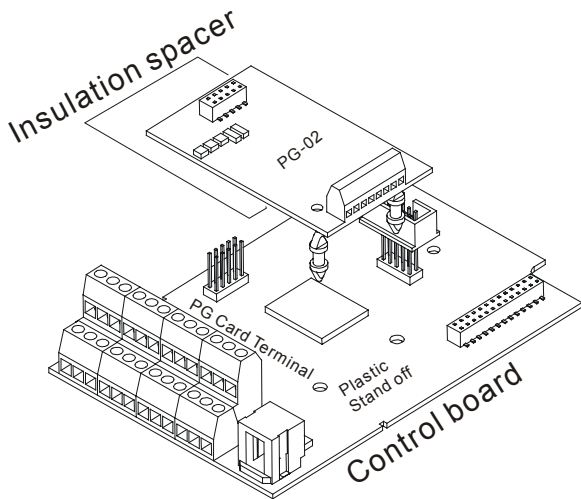


PG-02 Pulse Generator Card for VFD-B Series Installation Instruction

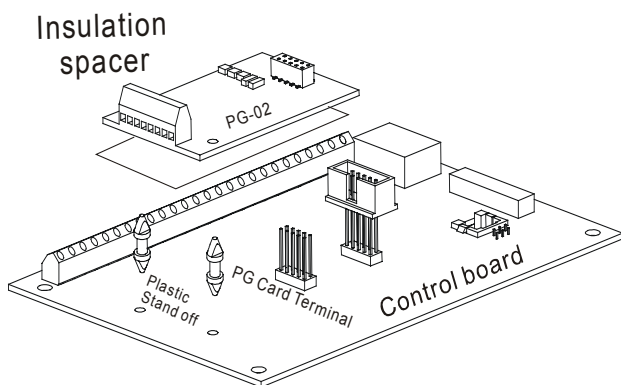
Installation

1 to 2HP (0.75kW to 1.5kW)

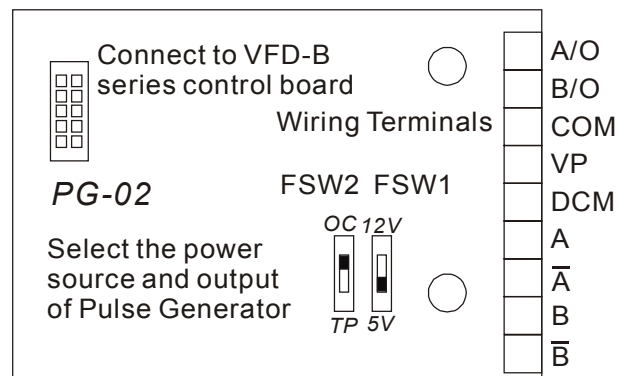
3 to 5HP (2.2kW to 3.7kW)



7.5HP (5.5kW) and above

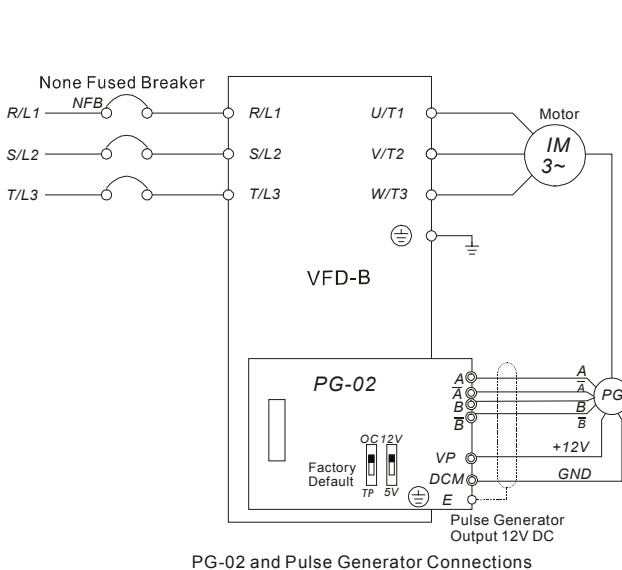


Control Terminals Block Designations

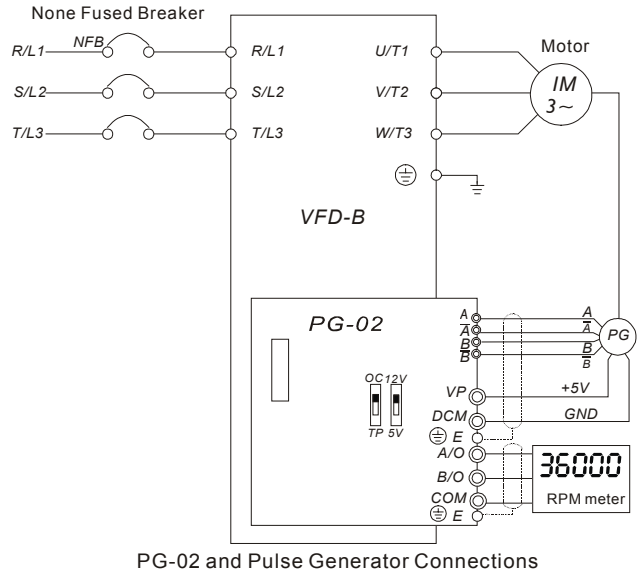


PG Card and Pulse Generator

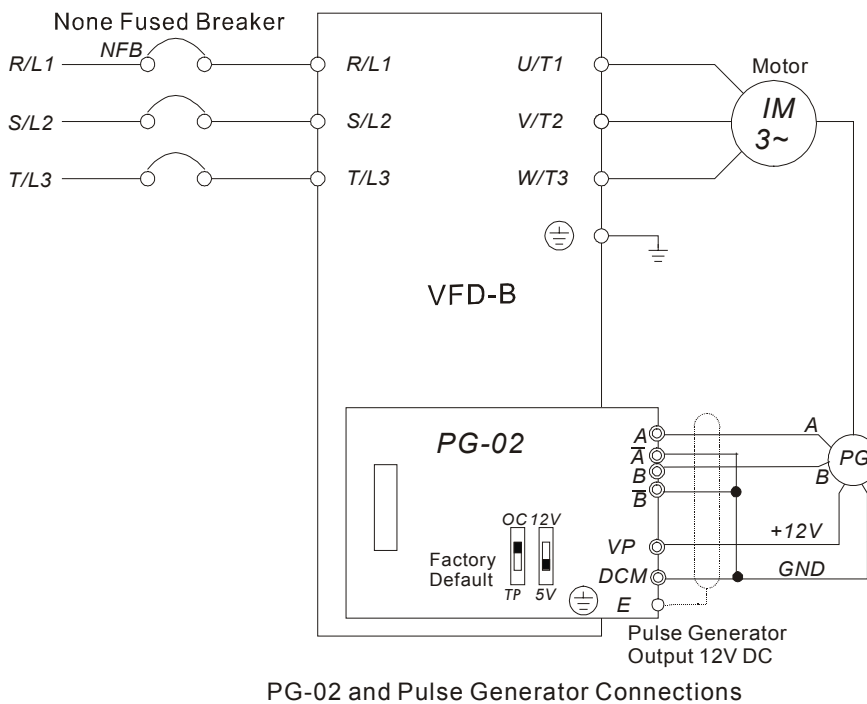
A. Basic Wiring Diagram



B. Basic Wiring Diagram with RPM Meter Attached.



C. When Pulse Generators is Open Collector type, please wire as following.



3


PG-02 Terminal Descriptions

Terminals

Terminal Symbols	Descriptions
VP	Power source of PG-02 (FSW1 can be switched to 12V or 5V) Output Voltage: (+12VDC \pm 5% 200mA) or (+5VDC \pm 2% 400mA)
DCM	Power source (VP) and input signal (A, B) common
A, \bar{A} , B, \bar{B}	Input signal from Pulse Generator. Input type is selected by FSW2. Maximum 500KP/Sec
A/O, B/O	PG-02 output signal for use with RPM Meter. Maximum DC24V 300mA
COM	PG-02 output signal (A/O, B/O) common.

Wiring Notes

The control, power supply and motor leads must be laid separately. They must not be fed through the same cable conduit / trunking.

1. Please use a shield cable to prevent interference. Do not run control wire parallel to any high voltage AC power line (220 V and up).
2. Connect shielded wire to  E only.
3. Recommended wire size 0.21 to 0.81mm² (AWG24 to AWG18).
4. Wire length:

Types of Pulse Generators	Maximum Wire Length	Wire Gauge
Output Voltage	50m	1.25mm ² (AWG16) or above
Open Collector	50m	
Line Driver	300m	
Complementary	70m	

Types of Pulse Generators

Types of Pulse Generators		FSW1 and FSW2 switches	
		5V	12V
Output Voltage			
Open collector			
Line driver			
Complimentary			

ASIA

DELTA ELECTRONICS, INC.
TAOYUAN Plant/
 31-1, SHIEN PAN ROAD,
 KUEI SAN INDUSTRIAL ZONE
 TAOYUAN 333
 TEL: 886-3-362-6301
 FAX: 886-3-362-7267

NORTH/SOUTH AMERICA

DELTA PRODUCTS CORPORATION
Sales Office/
 P.O. BOX 12173
 5101 DAVIS DRIVE
 RTP, NC 27709 U. S. A.
 TEL: 1-919-767-3813
 FAX: 1-919-767-3969

EUROPE

DELTRONICS (Netherlands) B.V.
Sales Office/
 Industriegebied Venlo Nr. 9031
 Columbusweg 20
 NL-5928 LC Venlo
 The Netherlands
 TEL: 31-77-324-1930
 FAX: 31-77-324-1931

Free Manuals Download Website

<http://myh66.com>

<http://usermanuals.us>

<http://www.somanuals.com>

<http://www.4manuals.cc>

<http://www.manual-lib.com>

<http://www.404manual.com>

<http://www.luxmanual.com>

<http://aubethermostatmanual.com>

Golf course search by state

<http://golfingnear.com>

Email search by domain

<http://emailbydomain.com>

Auto manuals search

<http://auto.somanuals.com>

TV manuals search

<http://tv.somanuals.com>