

Dell™ Workgroup Laser Printer W5300

Owner's Manual

Look Inside For:

- Network Printing
- Installing Printer Drivers
- Installing Memory Cards
- Loading Paper
- Using Your Printer

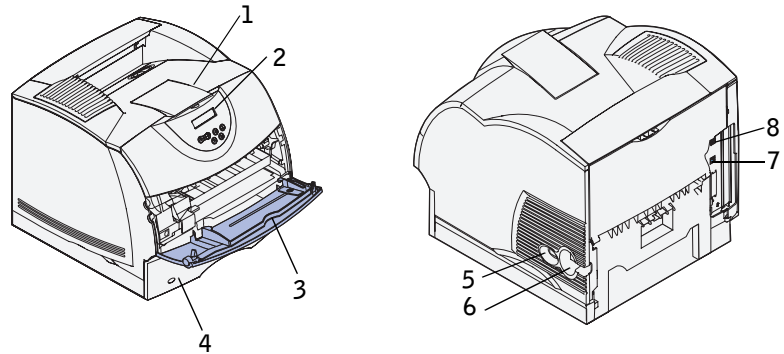


Order toner cartridges

Dell™ toner cartridges are available only through Dell. You can order toner cartridges online at www.dell.com/supplies or by phone.

USA	877-465-2968 (877-Ink2You)
Canada	877-501-4803
Mexico	001-800-210-7607
Puerto Rico	800-805-7545
UK	0870 907 4574
Ireland	1850 707 407
France	0825387247
Italy	800602705
Spain	902120385
Germany	0800 2873355
Austria	08 20 - 24 05 30 35
Netherlands	020 - 674 4881
Belgium	02.713 1590
Sweden	08 587 705 81
Norway	231622 64
Denmark	3287 5215
Finland	09 2533 1411
Switzerland	0848 801 888

Dell™ Workgroup Laser Printer W5300



1	Standard output bin	5	On/Off switch
2	Operator panel	6	Power cord connector
3	Multipurpose feeder	7	Ethernet port
4	Standard tray (500 sheets)	8	USB port

If you purchased additional options, for example, paper trays, a duplex unit, or an envelope feeder, refer to the *User's Guide* (**Start** → **Programs** or **All Programs** → **Dell Printers** → **Dell Laser Printer W5300** → **User's Guide**) for installation instructions.

Notes, Notices, and Cautions



NOTE: A NOTE indicates important information that helps you make better use of your computer.



NOTICE: A NOTICE indicates either potential damage to hardware or loss of data and tells you how to avoid the problem.



CAUTION: A CAUTION indicates a potential for property damage, personal injury, or death.

**Information in this document is subject to change without notice.
© 2003 Dell Computer Corporation. All rights reserved.**

Reproduction in any manner whatsoever without the written permission of Dell Computer Corporation is strictly forbidden.

Trademarks used in this text: *Dell* and *DELL* logo are trademarks of Dell Computer Corporation; *Microsoft* and *Windows* are registered trademarks of Microsoft Corporation; *Novell* and *NetWare* are registered trademarks of Novell, Inc.; *UNIX* is a registered trademark of The Open Group in the United States and other countries.

Other trademarks and trade names may be used in this document to refer to either the entities claiming the marks and names of their products. Dell Computer Corporation disclaims any proprietary interest in trademarks and trade names other than its own.

UNITED STATES GOVERNMENT RESTRICTED RIGHTS

This software and documentation are provided with RESTRICTED RIGHTS. Use, duplication or disclosure by the Government is subject to restrictions as set forth in subparagraph (c)(1)(ii) of the Rights in Technical Data and Computer Software clause at DFARS 252.227-7013 and in applicable FAR provisions: Dell Computer Corporation, One Dell Way, Round Rock, Texas, 78682, USA.

FCC emissions information

This equipment has been tested and found to comply with the limits for a Class B digital device, pursuant to Part 15 of the FCC rules. Refer to the *Drivers and Utilities* CD for details.

Contents

1	Set up for network printing	
	Selecting your printer network setup	12
	Attaching locally to a print server	13
	Complete Microsoft Plug and Play Wizard	13
	Installing drivers in a Linux environment	18
	Installing drivers in a Novell environment	19
	Set up the queue on the print server	19
	Install printer drivers on one client computer	20
	Attaching directly to the network (print server)	21
	Locate the IP address	21
	Set up the queue on the print server	22
	Install printer drivers on one or more remote client computers	23
	Attaching directly to the network (no print server)	24
	Locate the IP address	24
	Assign an IP Address	24
	Install printer drivers	26
	Install printer drivers on one client computer	27
2	Install optional memory cards	
	Accessing the printer system board	30
	Installing printer memory	33
	Replacing the shield	36

3 Set up for local printing

Installing printer drivers	38
---	-----------

4 Load paper

Loading paper and transparencies	46
---	-----------

In the standard tray	46
--------------------------------	----

In the multipurpose feeder	49
--------------------------------------	----

Loading envelopes	53
------------------------------------	-----------

In the multipurpose feeder	53
--------------------------------------	----

5 Use your printer

Changing the language on the operator panel	56
--	-----------

Using the operator panel to change printer settings	56
--	-----------

Restore factory default settings	57
--	----

Disable menus	58
-------------------------	----

Printing a job	60
---------------------------------	-----------

Canceling a job from the printer operator panel	60
--	-----------

Utilizing additional software tools	61
--	-----------

Status Monitor	61
--------------------------	----

Status Monitor Center	61
---------------------------------	----

Printing Status window	62
----------------------------------	----

Dell Toner Reorder Window	62
-------------------------------------	----

Dell Printer Software Uninstall	62
---	----

Driver Profiler	63
---------------------------	----

Replacing the toner cartridge	64
--	-----------

Removing the used toner cartridge	64
---	----

Cleaning the printer	65
--------------------------------	----

Installing the new toner cartridge	66
--	----

6	Appendix	
	Contacting Dell	70
	Dell Software License Agreement	80
	Index	83

CAUTION: SAFETY INFORMATION

Use the following safety guidelines to help ensure your own personal safety and to help protect your system and working environment from potential damage.

- Your product uses a laser.

CAUTION: Use of controls or adjustments or performance of procedures other than those specified herein may result in hazardous radiation exposure.

- Your product uses a printing process that heats the print media, and heat can cause certain media to release emissions. You must understand the section in your operating instructions that discusses the guidelines for selecting appropriate print media to avoid the possibility of harmful emissions.

CAUTION: If your product is *not* marked with this symbol , it *must* be connected to an electrical outlet that is properly grounded.

- The power cord must be connected to an electrical outlet that is near the product and easily accessible.
- Refer service or repairs, other than those described in the operating instructions, to a professional service person.
- This product is designed to meet safety standards with the use of specific Dell-authorized components. The safety features of some parts may not always be obvious. Dell disclaims liability associated with use of non-Dell-authorized components.

SECTION 1

Set up for network printing

Selecting your printer network setup

Attaching locally to a print server

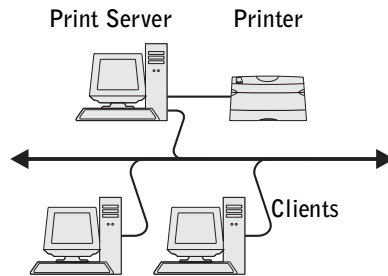
Attaching directly to the network (print server)

Attaching directly to the network (no print server)

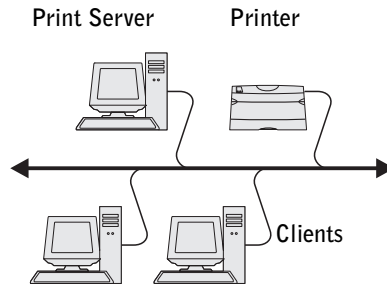
Selecting your printer network setup

Determine your network setup from the three options below.

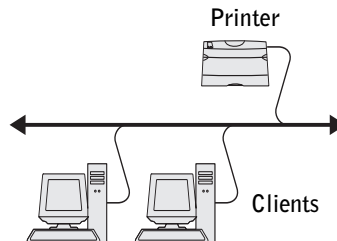
- 1 Attach your printer to a print server (or other computer) with a USB cable. Go to page 13 for instructions.



- 2 Attach your printer directly to the network with an Ethernet cable, with the print server managing the print queue. Go to page 21 for instructions.



- 3 Attach your printer directly to the network with an Ethernet cable (no print server). Go to page 24 for instructions.



Attaching locally to a print server

If you are connecting the printer to a print server with a USB cable and want to share the printer with multiple users on the network, use this method. In this section you will:

- Complete the Microsoft Plug and Play Wizard.
- Set up the queue on the print server.
- Install printer drivers for all clients connected to the print server.

Complete Microsoft Plug and Play Wizard

When you turned on the printer and print server, the Found New Hardware Wizard screen appeared.

Use the table below to find instructions for the operating system on the print server.

Computer operating system	Go to page...
Windows XP	14
Windows 2000	14
Windows Me	15
Windows NT	16
Windows 98	16
Linux	18
Novell	19



NOTE: The Dell Laser Printer W5300 only supports Windows 95 with a network connection to a computer.

Using Windows XP

- 1 Insert the *Drivers and Utilities* CD into your computer.
The Wizard automatically searches for an appropriate driver.
- 2 Scroll through the list of drivers until you see `D:\drivers\win_2000\dkaag1da.inf` selected in the Location column. Instead of **D:** you will see the letter of your CD-ROM drive.
- 3 Click **Next**.
The wizard copies all of the necessary files and installs the printer drivers.
- 4 Click **Finish** when the software is installed.
- 5 Go to “Set up the queue on the print server” on page 19.

Using Windows 2000

- 1 Insert the *Drivers and Utilities* CD, and then click **Next**.
- 2 Select **Search for a suitable driver**, and then click **Next**.
- 3 Select **Specify a location only**, and then click **Next**.
- 4 Browse to the location of the printer driver on the *Drivers and Utilities* CD.
**D:\Drivers\Win_2000\
Replace D:\ with the letter of your CD-ROM drive (for example, type **D:** where *D* is the drive letter of your CD).**
- 5 Click **Open**, and then click **OK**.
- 6 Click **Next** to install the driver that is displayed.
D:\Drivers\Win_2000\dkaag1da.inf
- 7 Click **Finish** when the software is installed.
- 8 Go to “Set up the queue on the print server” on page 19.

Using Windows Me



NOTE: Depending on the software and printers already installed on your computer, your screens may vary from those in the instructions.

You must install both a USB port driver and a custom print driver.

- 1 Insert the *Drivers and Utilities* CD.

The Wizard automatically searches for the USB driver on the CD and installs it.

- 2 After the USB port driver is found, click **Finish**.
- 3 Select **Automatic search for the best driver (recommended)**, and then click **Next**.


The wizard searches for a printer driver.


- 4 Select your printer and driver from the list on the screen, and then click **OK**. Use the following table to identify the driver for your language.

If your computer uses this language	Select the driver from the list (Replace the D:\ in the table with the letter of your CD-ROM drive)
English	D:\DRIVERS\WIN_9X\ENGLISH\LMPCL5C.INF
French	D:\DRIVERS\WIN_9X\FRENCH\LMPCL5C.INF
German	D:\DRIVERS\WIN_9X\GERMAN\LMPCL5C.INF
Italian	D:\DRIVERS\WIN_9X\ITALIAN\LMPCL5C.INF
Spanish	D:\DRIVERS\WIN_9X\SPANISH\LMPCL5C.INF

- 5 Click **Next** to install the printer driver.
- 6 Click **Next** to complete installation.
- 7 Use the default printer name (for example, Dell Laser Printer W5300) or type a unique name for your printer, and then click **Next**.
- 8 Click **Yes (recommended)**, and then click **Finish** to print a test page.
- 9 After the test page prints, click **Yes** to close the window.
- 10 Click **Finish** to complete the installation and close the wizard.
- 11 Go to “Set up the queue on the print server” on page 19.


Using Windows NT

 **NOTE:** USB support is not available for Windows NT operating systems.

 **NOTE:** You need administrative access to install printer drivers on your computer.

- 1 Insert the *Drivers and Utilities* CD.
- 2 Click **Install the printer for Use on this Computer only (Personal Installation)**.
When all the files are installed on your computer, the Congratulations screen appears.
- 3 Click **Finish** to complete the installation and close the wizard.
- 4 Go to "Set up the queue on the print server" on page 19.

Using Windows 98

 **NOTE:** Depending on the software and printers already installed on your computer, your screens may vary from those in the instructions.

You must install both a USB port driver and a custom print driver.

When you attached the cable and turned on the printer and computer, the Add New Hardware Wizard screen appeared on your computer screen.

- 1 Insert the *Drivers and Utilities* CD, and then click **Next**.
- 2 Select **Search for the best driver for your device (recommended)**, and then click **Next**.
- 3 Select **CD-ROM drive only**, and then click **Next**.
- 4 After the wizard finds the USB port driver, click **Next**.
- 5 When the USB port driver is installed, click **Finish**.
The wizard prompts you to search for new drivers.
- 6 Click **Next** to search for a printer driver.
- 7 Select **Search for the best driver for your device (recommended)**, and then click **Next**.
- 8 Select **Specify a location only** and browse to the location of the printer driver on the *Drivers and Utilities* CD.

Use the following table to identify the driver for your language.

If your computer uses this language	Select the driver from the list (Replace the D:\ in the table with the letter of your CD-ROM drive)
English	D:\DRIVERS\WIN_9X\ENGLISH\LMPCL5C.INF
French	D:\DRIVERS\WIN_9X\FRENCH\LMPCL5C.INF
German	D:\DRIVERS\WIN_9X\GERMAN\LMPCL5C.INF
Italian	D:\DRIVERS\WIN_9X\ITALIAN\LMPCL5C.INF
Spanish	D:\DRIVERS\WIN_9X\SPANISH\LMPCL5C.INF

- 9 Highlight the driver, and then select to install the updated driver (recommended).
- 10 Click **Next**.
- 11 Click **Next** to complete installation.
- 12 Use the default printer name (for example, Dell Laser Printer W5300) or type a unique name for your printer, and then click **Next**.
- 13 Select **Yes** to print a test page, and then click **Finish**. All the necessary files are installed on your computer.
- 14 After the test page prints, click **Yes** to close the message window.
- 15 Click **Finish** to complete the installation.

Using Windows 95



NOTE: The Dell Laser Printer W5300 only supports Windows 95 with a network connection to a computer.

- 1 Insert the *Drivers and Utilities* CD, and then click **Next**.
If a system-compatible driver is found on your operating system, the Wizard installs it.
If no compatible system driver is found on your operating system, click **Other Locations**.
- 2 Browse to the location of the printer driver on the *Drivers and Utilities* CD, and then click **OK**.

Use the following table to identify the driver for your language.

If your computer uses this language	Select the driver from the list (Replace the D:\ in the table with the letter of your CD-ROM drive)
English	D:\DRIVERS\WIN_9X\ENGLISH\LMPCL5C.INF
French	D:\DRIVERS\WIN_9X\FRENCH\LMPCL5C.INF
German	D:\DRIVERS\WIN_9X\GERMAN\LMPCL5C.INF
Italian	D:\DRIVERS\WIN_9X\ITALIAN\LMPCL5C.INF
Spanish	D:\DRIVERS\WIN_9X\SPANISH\LMPCL5C.INF

- 3 Highlight the appropriate driver, and then click **Finish**.

The Add Printer Wizard screen appears.

- 4 Use the default printer name (for example, Dell Laser Printer W5300), or type a unique name for your printer.
- 5 Select whether or not to use this printer as the default printer.
- 6 Click **Next**.
- 7 You are prompted to insert the *Drivers and Utilities* CD. Click **OK**.
A dialog box asks for the file "lexdrv.in.exe".
- 8 Browse to the appropriate folder on the *Drivers and Utilities* CD (for example, D:\Drivers\Win_9x\English).
- 9 Click **OK**.
- 10 Click **OK** again.
All the necessary files are installed on your computer.
- 11 Go to "Set up the queue on the print server" on page 19.

Installing drivers in a Linux environment

Your printer supports Red Hat Linux versions 7.1, 7.2, and 7.3, and SuSE Linux 7.2, 7.3, and 8.0. Refer to the Unix®/packages on the *Drivers and Utilities* CD for instructions on installing your printer in a Linux environment.

Installing drivers in a Novell environment

Your printer supports Novell® NetWare® versions 3.x, 4.x, 5.x, and 6.x. For information on using your printer in a Novell environment, refer to your Novell documentation.

Set up the queue on the print server

- 1 Click **Install the printer on the Network (Network Installation)** and then click **Next**.
- 2 Click **On a print server**, and then click **Next**.
- 3 Select both options to install the software and the *User's Guide* on the print server, and then click **Next**.
- 4 The box to share the printer is checked. Create a share name you want to use for the PCL driver and/or the PostScript driver. Make it an obvious name for clients to easily find when they are browsing for a shared printer.

 **NOTE:** You do not need to create share names for both drivers if you are only using one driver.

- 5 Click **Next**.
- 6 Select **TCP/IP**, and then click **Next**.

If your network also uses NetWare, click **NetWare Systems** as well.

- 7 Choose the port that corresponds to the hardware port you used when you connected the printer to the print server (or other computer). For example, USB001 represents the USB port on the print server.
- 8 Click **Finish**.
The Congratulations screen appears.
- 9 Click **Print a Test Page** to verify the driver is installed correctly.
- 10 Click **Finish**.

If you are sitting at the print server and want to install printer drivers on one client computer, you can go to that client computer, insert the *Drivers and Utilities* CD, and follow the steps on the screen, or you can install the drivers remotely (see “Install printer drivers on one or more remote client computers” on page 23).

Install printer drivers on one client computer

If you are connecting one client computer to the print server, go to that client computer and insert the *Drivers and Utilities CD*.

- 1 Click **Install the printer on the Network (Network installation)**, and then click **Next**.
- 2 Click **On this client computer**.
- 3 Click **Next**.
- 4 Select the software or documentation you want your users to have access to.
- 5 Select the printer protocols you want to install, and then click **Next**.
- 6 Select the Universal Network Connection (UNC) port.
- 7 Type the name of the print server the printer is connected to as well as the name of the printer:
`\\Server Name\PrinterShareName.`

To find out the print server name, right-click your mouse and choose **My Computer** → **Properties** → **Network Identification**.

- 8 Click **Finish**.

The Congratulations screen appears.

- 9 Click **Print a Test Page** to verify the driver is installed correctly.
- 10 Click **Finish**.

Attaching directly to the network (print server)

If your print server is in one location (for example, a secure area) and the network printer is in another location (for example, a printer room), use this method to install software on one or multiple printers on the network.

In this section you will:

- Locate the IP address.
- Assign an IP address to the printer.
- Set up the queue on the print server.
- Install printer drivers for all clients connected to the print server.

Locate the IP address

- 1 Print a network setup page.
 - a Press the menu button on the printer until you see **Utilities Menu**, and then press **Select**.
 - b Press the menu button on the printer until you see **Print Net Setup**, and then press **Select** to print the page.

- 2 Under the Standard Network Card heading on the network setup page, make sure Status is Connected.

If Status is Not Connected:

- Make sure the Ethernet cable is firmly plugged into the back of the printer.
- Plug the Ethernet cable into another wall outlet.


- 3 Find the IP address located under the TCP/IP heading. If the IP address equals 0.0.0.0, wait a few minutes and print the network setup page again.

If the IP address still shows 0.0.0.0, go to "Assign an IP Address" on page 24.

If the IP address is something other than 0.0.0.0, go to "Set up the queue on the print server" on page 22.

Set up the queue on the print server

- 1 Insert the *Drivers and Utilities* CD, and then click **Next**.
- 2 Click **Install the printer on the Network** (Network installation), and then click **Next**.
- 3 Click **On a print server**, and then click **Next**.
- 4 Select both options to install the software and the *User's Guide* on the print server, and then click **Next**.
- 5 The box to share the printer is checked. Create a share name you want to use for the PCL driver and/or the PostScript driver. Make it an obvious name for clients to easily find when they are browsing for a shared printer.

 **NOTICE:** You do not need to create share names for both drivers if you are only using one driver.

- 6 Click **Next**.
- 7 Select **TCP/IP**, and then click **Next**.

If your network also uses NetWare, click **NetWare Systems** as well.

- 8 Set **TCP/IP** as the Port Type.
- 9 Specify a port name. Make it an obvious name for clients to easily find when they are browsing for a shared printer.
- 10 Type the printer IP address, for example, **192.168.0.11** If you don't know the IP address, see "Locate the IP address" on page 21.

- 11 Click **Finish**.

The Congratulations screen appears.

- 12 Click **Print a Test Page** to verify the driver is installed correctly.
- 13 Click **Finish**.

If you are sitting at the print server and want to install printer drivers on several client computers, follow the steps below. If you want to install drivers on one client computer, go to "Install printer drivers on one client computer" on page 20.

Install printer drivers on one or more remote client computers

If you are connecting client computers to the print server, run the *Drivers and Utilities* CD installer again:

- 1 Go to **Start** → **Run** → `d:\setup.exe` (d represents the CD drive).
- 2 Click **Install the printer on the Network (Network installation)**, and then click **Next**.
- 3 Click **On one or more remote client computers**.
- 4 Click **Next**.
- 5 Type your Administrator user name and password.
- 6 Specify which client computers are allowed to print to the new Dell Laser Printer W5300.

Browse or type each client's computer name or IP address. You can specify as many clients as you wish.

- 7 When you are finished adding clients, click **Next**.
- 8 Select the software or documentation you want your users to have access to.
- 9 Select the printer protocols you want to install, and then click **Next**.
- 10 Select the Universal Network Connection (UNC) port.
- 11 Click the **Browse for Printer** button or type the name of the print server the printer is connected to as well as the name of the printer:
`\\Server Name\PrinterShareName`.

To find out the print server name, right-click your mouse and choose **My Computer** → **Properties** → **Network Identification**.

- 12 Click **Finish**.

The Congratulations screen appears.

- 13 Click **Finish**.

Attaching directly to the network (no print server)

If you are sharing your network printer in a small workgroup environment and are not using a print server, use this method.

In this section you will:

- Locate the IP address.
- Assign an IP address to the printer.
- Install printer drivers on each client that needs to print to the new printer.

Locate the IP address

- 1 Print a network setup page.
 - a Press the menu button on the printer until you see the **Utilities Menu**, and then press **Select**.
 - b Press the menu button on the printer until you see **Print Net Setup**, and then press **Select** to print the page.

- 2 Under the Standard Network Card heading on the network setup page, make sure Status is Connected.

If Status is Not Connected:

- Make sure the Ethernet cable is firmly plugged into the back of the printer.
- Plug the Ethernet cable into another wall outlet.

- 3 Find the IP address located under the TCP/IP heading. If the IP address equals 0.0.0.0, wait a few minutes and print the network setup page again.

If the IP address still shows 0.0.0.0, go to "Assign an IP Address" on page 24.

If the IP address is something other than 0.0.0.0, go to "Install printer drivers" on page 26.

Assign an IP Address



NOTE: Assigning a STATIC IP Address is considered an advanced function and is normally performed by your system administrator.

An IP Address is a unique string of numbers consisting of four (4) Octets, each Octet separated using a period. Example: 192.168.1.108. Assigning an IP address already in use can cause serious network performance issues.

See page 56 for details on using the Operator Control Panel.

To setup the printer to use a STATIC IP address:

- 1 Make sure the printer is on and the **Ready** message appears.
- 2 Press the **Menu** button until you see **Network Menu**, and then press **Select**.
- 3 Under **Network Menu**, the item **Standard Network** appears. Press **Select**.
- 4 Under **Standard Network**, press the **Menu** button until you see the item **STD NET SETUP**, and then press **Select**.
- 5 Under **STD NET SETUP**, press the **Menu** button until you see the item **TCP/IP**, and then press **Select**.
- 6 Under **TCP/IP**, press the **Menu** button until you see the item **Enable BOOTP**, and then press **Select**.
- 7 Press the **Menu** button to select **No**, and then press **Select**. The word **SAVED** will briefly display.
- 8 Repeat steps 6 & 7 to select **No** for the items **ENABLE DHCP** and **ENABLE RARP**.
- 9 Under **TCP/IP**, press the **Menu** button until you see the item **Set IP Address**, and then press **Select**.
- 10 The number in the 1st Octet is flashing. Using the **Menu** button, cycle the 1st Octet of the IP Address to the number desired, and then press **Select**.
- 11 The number in the 2nd Octet is flashing. Using the **Menu** button, cycle the 2nd Octet to the number desired, and then press **Select**.
- 12 The number in the 3rd Octet is flashing. Using the **Menu** button, cycle the 3rd Octet to the number desired, and then press **Select**.
- 13 The number in the 4th Octet is flashing. Using the **Menu** button, cycle the 4th Octet to the number desired, and then press **Select**. The word **SAVED** will briefly display.
- 14 Under **TCP/IP**, press the **Menu** button until you see the item **Set IP Netmask**, and then press **Select**.
- 15 Repeat steps 10 through 13 to set each Octet for Netmask.
- 16 Under **TCP/IP**, press the **Menu** button until you see the item **Set IP Gateway**, and then press **Select**.

- 17 Repeat steps 10 through 13 to set each Octet for Gateway.

A Static IP Address has been assigned to the printer. You can verify the settings by opening a web browser on any computer on the same network and entering the IP address into the Address line of the browser. Example: <http://192.168.1.108>. If the IP address was setup correctly, the browser should display a Web page provided by the Dell Laser Printer W5300.

Install printer drivers

- 1 Insert the *Drivers and Utilities* CD.
- 2 Click **Install the printer on the Network (Network Installation)**.
- 3 Click **On one or more remote client computers**.
- 4 Type your Administrator user name and password.
- 5 Specify which client computers are allowed to print to the new Dell Laser Printer W5300.

Browse or type each client's computer name or IP address. You can specify as many clients as you wish.

- 6 When you are finished adding clients, click **Next**.
- 7 Select the software and documentation you want your users to have access to.
- 8 Select **TCP/IP**, and then click **Next**.

If your network also uses NetWare, select **NetWare Systems** too.

- 9 Set **TCP/IP Port** as the Port Type.
- 10 Specify a port name that is meaningful in your environment. The port name establishes a logical link between the printer and each client.
- 11 Type the printer IP address, for example, **192.168.0.11**. If you don't know the IP address, see "Locate the IP address" on page 24.
- 12 Click **Finish**.

The Congratulations screen appears.

- 13 Click **Finish**.

Now all of the clients connected to this printer can select this printer to print their jobs.

Install printer drivers on one client computer

- 1 From the client computer, insert the *Drivers and Utilities* CD.
- 2 Click **Install the printer on the Network (Network installation)**, and then click **Next**.
- 3 Click **On this client computer**.
- 4 Click **Next**.
- 5 Select the software or documentation you want your users to have access to.
- 6 Select the printer protocols you want to install, and then click **Next**.
- 7 Set **TCP/IP Port** as the Port Type.
- 8 Specify a port name that is meaningful in your environment. The port name establishes a logical link between the printer and each client.
- 9 Type the printer IP address, for example, **192.168.0.11**. If you don't know the IP address, see "Locate the IP address" on page 24.
- 10 Click **Finish**.
The Congratulations screen appears.
- 11 Click **Print a Test Page** to verify the driver is installed correctly.
- 12 Click **Finish**.

SECTION 2


Install optional memory cards

Accessing the printer system board


Installing printer memory


Replacing the shield

You can increase printer memory capacity and connectivity by purchasing additional printer memory or option cards.

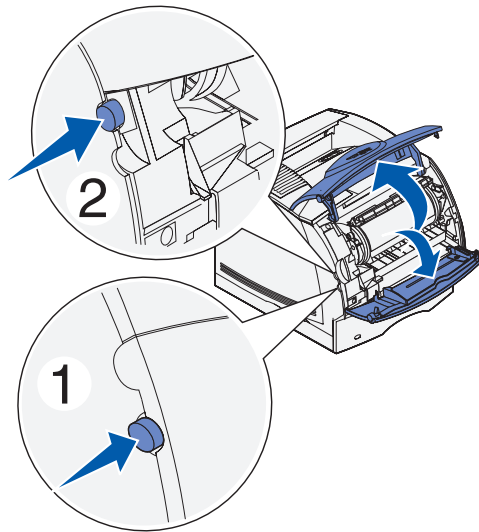
 **NOTE:** Memory options designed for other Dell printers may not work with your printer.

Accessing the printer system board

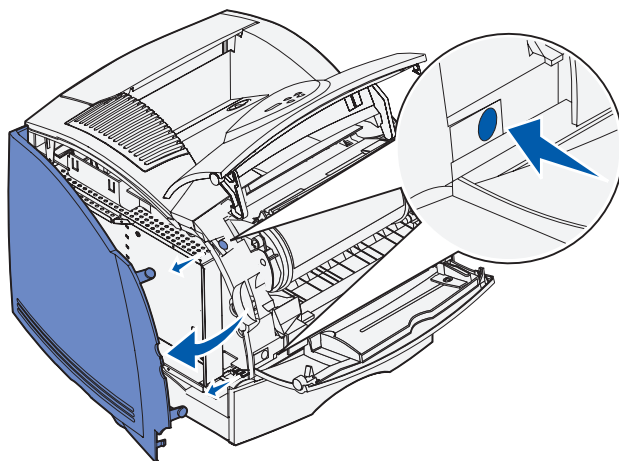
 **NOTE:** Use a small Phillips screwdriver to remove the system board access cover and to install some of the cards.

 **CAUTION:** Before performing any of the procedures listed below, read and follow the safety instructions.

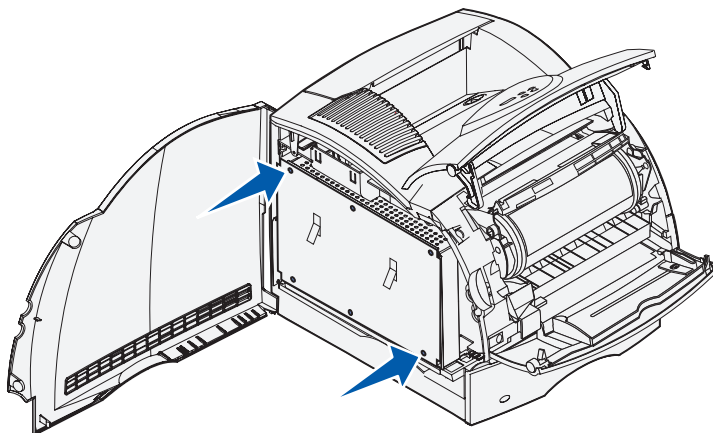
- 1 Turn the printer off and unplug the power cord before continuing.
- 2 Press latch 1 to open the lower door. Press latch 2 to open the upper door.



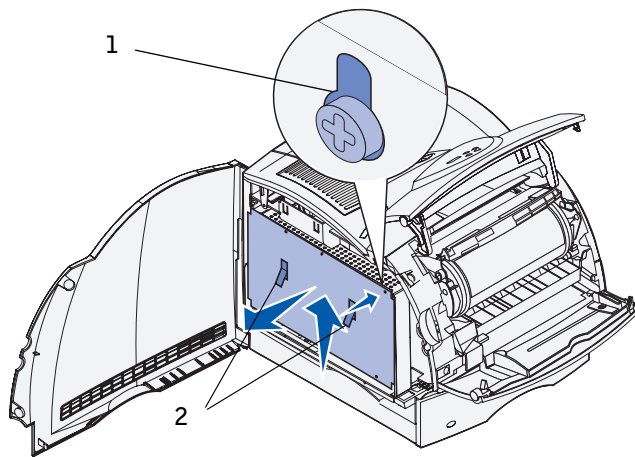
- 3 Press down on the side door latches and open the side door.



- 4 Use a small Phillips screwdriver to loosen, but not remove, the six screws on the shield.




- 5 Use the tabs to slide the shield up until the top three screws fit into the three keyholes on the shield.




1 Keyhole	2 Tabs
-----------	--------

- 6 Hold the shield by the tabs and lift it off.

Installing printer memory

 **NOTICE:** Electronic components can be damaged by static electricity. Touch something metal on the printer before you touch the memory option.

Your printer comes with 80MB memory. You can buy optional memory cards to increase printer memory up to 336MB.

 **CAUTION:** Before performing any of the following procedures, read and follow the safety instructions.

Optional Memory Cards

7Y762 KIT, PTR, MEM, UM, 16MB

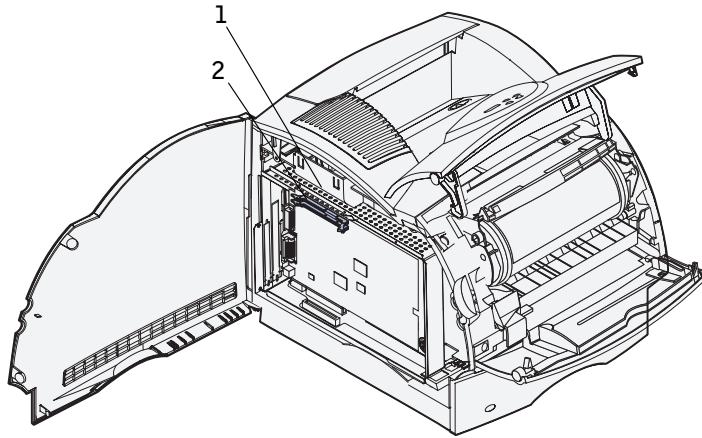
7Y763 KIT, PTR, MEM, UM, 32MB

7Y764 KIT, PTR, MEM, UM, 64MB

7Y765 KIT, PTR, MEM, UM, 128MB

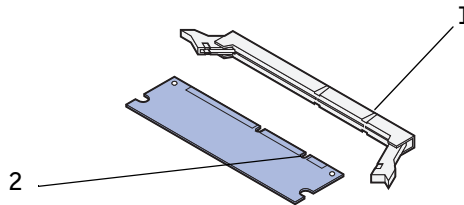
- 1 Unpack the optional printer memory card. Avoid touching the connection points along its edge.

- 2 Open both latches on the connector completely.



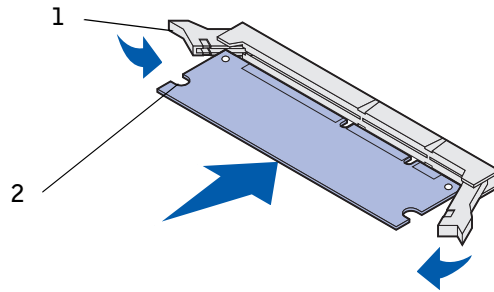
- | | |
|---|--------------------|
| 1 | Memory connector 1 |
| 2 | Memory connector 2 |

- 3 Align the notches on the memory card with the ridges on the connector.



- | | |
|---|-------|
| 1 | Ridge |
| 2 | Notch |

- 4 Push the memory card straight into the connector until it *snaps* into place. Make sure each latch fits over the notch located on either side of the memory card.



1 Latch

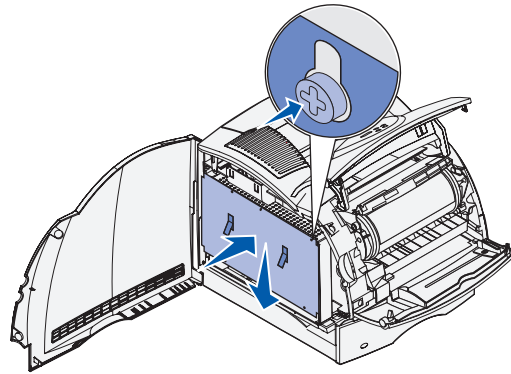
2 Notch

Replacing the shield

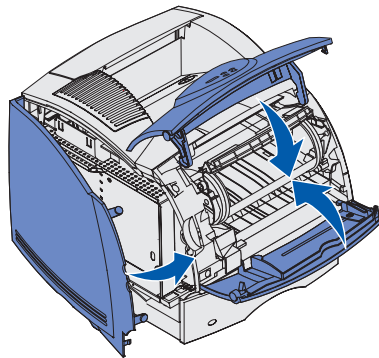
Follow these steps to reattach the shield and close the doors.

⚠ CAUTION: Before performing any of the procedures listed below, read and follow the safety instructions.

- 1 Grasp the shield by the tabs and align the three keyholes on the shield with the top three screws. Holding the shield by the tabs, slide it down onto the screws. Tighten all six screws.



- 2 Close the side door.
- 3 Close the upper door and the lower door.



- 4 Plug in the power cord and turn on the printer.

SECTION 3

Set up for local printing


Installing printer drivers

A local printer is a printer attached to your computer using a USB cable. *If your printer is attached to a network instead of your computer, go on to “Set up for network printing” on page 11.*

Installing printer drivers

A printer driver is software that lets your computer communicate with your printer. To obtain all the features described in “Utilizing additional software tools” on page 61, use the *Drivers and Utilities* CD to install them. Use the following table to find the instructions you need for your operating system.

Computer operating system	Go to page...
Windows XP	39
Windows 2000	40
Windows Me	41
Windows NT	42
Windows 98	43

 **NOTE:** The Dell Laser Printer W5300 only supports Windows 95 with a network connection to a computer.

You need to complete Microsoft’s Plug and Play before installing the custom driver from your printer drivers CD.

Using Windows XP



NOTE: Business versions of Windows XP require that you have administrative access to install printer drivers on your computer.

When you attached the cable and turned on the printer, the Found New Hardware Wizard appeared on your computer screen.

- 1 Insert the *Drivers and Utilities* CD into your computer.

The Wizard automatically searches for an appropriate driver.

- 2 Scroll through the list of drivers until you see D:\drivers\win_2000\dkaag1da.inf selected in the Location column. Instead of D:\ you will see the letter of your CD-ROM drive.

- 3 Click **Next**.

The wizard copies all of the necessary files and installs the printer drivers.

- 4 Click **Finish** when the software is installed.

- 5 Launch the *Drivers and Utilities* CD: click **Start** → **Run** and browse your CD drive (for example, type **D:** where *D* is the drive letter of your CD).

- 6 Select **SETUP.EXE**, and then click **OK**.

- 7 When the Dell *Drivers and Utilities* CD screen appears, click **Install the printer for Use on this Computer only (Personal Installation)** to install the additional software for your printer.

When all of the files are installed on your computer, the Congratulations screen appears.

- 8 Click **Print a Test Page** to verify printer setup.

- 9 Click **Finish** when the test page prints successfully.

- 10 Click **Exit** on the *Drivers and Utilities* CD screen.

Using Windows 2000

When you attached the cable and turned on the printer and computer, the Found New Hardware Wizard screen appeared on your computer screen.

- 1 Insert the *Drivers and Utilities* CD, and then click **Next**.
- 2 Select **Search for a suitable driver**, and then click **Next**.
- 3 Select **Specify a location only**, and then click **Next**.
- 4 Browse to the location of the printer driver on the *Drivers and Utilities* CD.

D:\Drivers\Win_2000

Replace D:\ with the letter of your CD-ROM drive (for example, type **D:** where *D* is the drive letter of your CD).

- 5 Click **Open**, and then click **OK**.
- 6 Click **Next** to install the driver that is displayed.


D:\Drivers\Win_2000\dkaag1da.inf

- 7 Click **Finish** when the software is installed.
- 8 When the Dell Drivers and Utilities screen appears, choose **Install the printer for Use on this Computer only (Personal Installation)** to install the additional software for your printer.
- 9 If the *Drivers and Utilities* CD does not automatically launch, click **Start → Run** and browse your CD drive (for example, type **D:** where *D* is the drive letter of your CD). Select **SETUPEXE**, and then click **OK**.

When all the files are installed on your computer, the Congratulations screen appears.

- 10 Click **Print a Test Page** to verify printer setup.
- 11 Click **Finish** when the test page prints successfully.
- 12 Click **Exit** on the *Drivers and Utilities* CD screen.

Using Windows Me

 **NOTE:** Depending on the software and printers already installed on your computer, your screens may vary from those in the instructions.

You must install both a USB port driver and a custom print driver.

When you attached the cable and turned on the printer and computer, the Add New Hardware Wizard screen appeared on your computer screen.

- 1 Insert the *Drivers and Utilities* CD.

The Wizard automatically searches for the USB driver on the CD and installs it.

- 2 After the USB port driver is found, click **Finish**.

- 3 Select **Automatic search for the best driver (recommended)**, and then click **Next**.

The wizard searches for a printer driver.

- 4 Select your printer and driver from the list on the screen, and then click **OK**. Use the following table to identify the driver for your language.

If your computer uses this language	Select the driver from the list (Replace the D:\ in the table with the letter of your CD-ROM drive)
English	D:\DRIVERS\WIN_9X\ENGLISH\LMPCL5C.INF
French	D:\DRIVERS\WIN_9X\FRENCH\LMPCL5C.INF
German	D:\DRIVERS\WIN_9X\GERMAN\LMPCL5C.INF
Italian	D:\DRIVERS\WIN_9X\ITALIAN\LMPCL5C.INF
Spanish	D:\DRIVERS\WIN_9X\SPANISH\LMPCL5C.INF

- 5 Click **Next** to install the printer driver.
- 6 Click **Next** to complete installation.
- 7 Use the default printer name (for example, Dell Laser Printer W5300) or type a unique name for your printer, and then click **Next**.
- 8 Click **Yes (recommended)**, and then click **Finish** to print a test page.
- 9 After the test page prints, click **Yes** to close the window.
- 10 Click **Finish** to complete the installation and close the wizard.
- 11 Launch the *Drivers and Utilities* CD: click **Start** → **Run** and browse your CD drive (for example, type **D:** \ where *D* is the drive letter of your CD).
- 12 Select **SETUPEXE**, and then click **OK**.
- 13 When the Dell *Drivers and Utilities* screen appears, click **Install the printer for Use on this Computer only (Personal Installation)** to install the additional software for your printer.

When all of the files are installed on your computer, the Congratulations screen appears.
- 14 Click **Exit** on the *Drivers and Utilities* CD screen.

Using Windows NT



NOTE: USB support is not available for Windows NT operating systems.



NOTE: You need administrative access to install printer drivers on your computer.

- 1 Insert the *Drivers and Utilities* CD.
- 2 Click **Install the printer for Use on this Computer only (Personal Installation)**.

When all the files are installed on your computer, the Congratulations screen appears.
- 3 Click **Finish** to complete the installation and close the wizard. You are now ready to print.
- 4 Close the *Drivers and Utilities* CD screen.

Using Windows 98



NOTE: Depending on the software and printers already installed on your computer, your screens may vary from those in the instructions.

You must install both a USB port driver and a custom print driver.

When you attached the cable and turned on the printer and computer, the Add New Hardware Wizard screen appeared on your computer screen.

- 1 Insert the *Drivers and Utilities* CD, and then click **Next**.
- 2 Select **Search for the best driver for your device (recommended)**, and then click **Next**.
- 3 Select **CD-ROM drive only**, and then click **Next**.
- 4 After the wizard finds the USB port driver, click **Next**.
- 5 When the USB port driver is installed, click **Finish**.

The wizard prompts you to search for new drivers.

- 6 Click **Next** to search for a printer driver.
- 7 Select **Search for the best driver for your device (recommended)**, and then click **Next**.
- 8 Select **Specify a location only** and browse to the location of the printer driver on the *Drivers and Utilities* CD.

Use the following table to identify the driver for your language.

If your computer uses this language	Select the driver from the list (Replace the D:\ in the table with the letter of your CD-ROM drive)
English	D:\DRIVERS\WIN_9X\ENGLISH\LMPCL5C.INF
French	D:\DRIVERS\WIN_9X\FRENCH\LMPCL5C.INF
German	D:\DRIVERS\WIN_9X\GERMAN\LMPCL5C.INF
Italian	D:\DRIVERS\WIN_9X\ITALIAN\LMPCL5C.INF
Spanish	D:\DRIVERS\WIN_9X\SPANISH\LMPCL5C.INF

- 9 Highlight the driver, and then select to install the **updated driver (recommended)**.
- 10 Click **Next**.
- 11 Click **Next** to complete installation.

- 12** Use the default printer name (for example, Dell Laser Printer W5300) or type a unique name for your printer, and then click **Next**.
- 13** Select **Yes** to print a test page, and then click **Finish**.
All the necessary files are installed on your computer.
- 14** After the test page prints, click **Yes** to close the message window.
- 15** Click **Finish** to complete the installation.
- 16** Launch the *Drivers and Utilities* CD: click **Start** → **Run** and browse your CD drive (for example, type **D:** where *D* is the drive letter of your CD).
- 17** Select **SETUPEXE**, and then click **OK**.
- 18** When the Dell *Drivers and Utilities* CD screen appears, click **Install the printer for Use on this Computer only (Personal Installation)** to install the additional software for your printer.
If you are prompted to restart your computer, click **Yes**.
Otherwise, the Congratulations screen appears.
- 19** Click **Exit** on the *Drivers and Utilities* CD screen.

SECTION 4

Load paper

Loading paper and transparencies

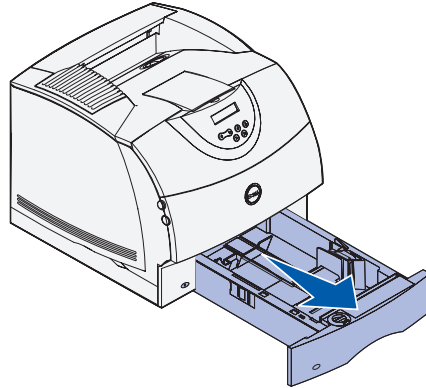
Loading envelopes

Loading paper and transparencies

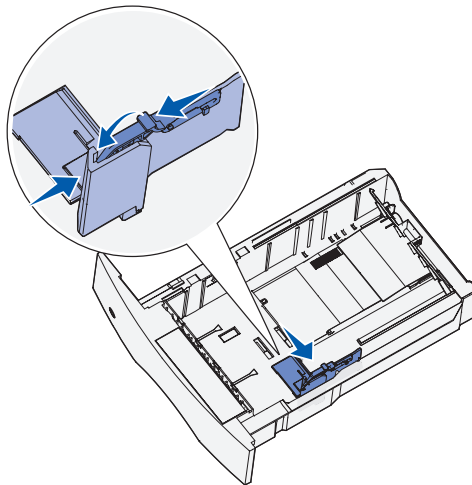
In the standard tray

Load the print media you use for the majority of your print jobs in the standard tray.

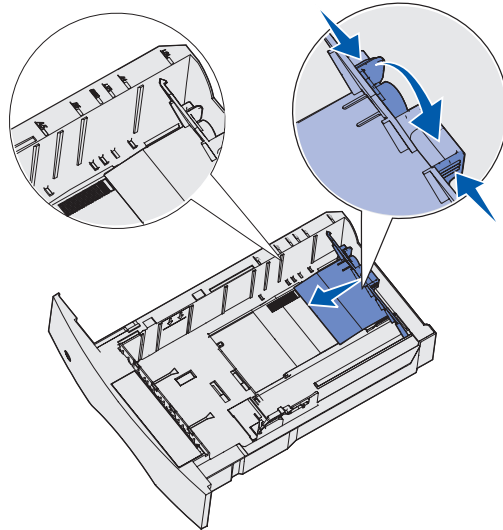
- 1 Remove the tray.



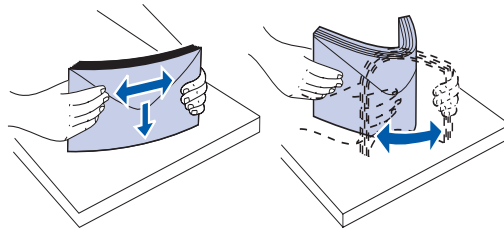
- 2 Squeeze the width guide tab and the side of the guide as shown. Slide the width guide to the far right side of the tray.



- 3 Squeeze the length guide lever and slide the length guide to the correct position for the size of print media you are loading.



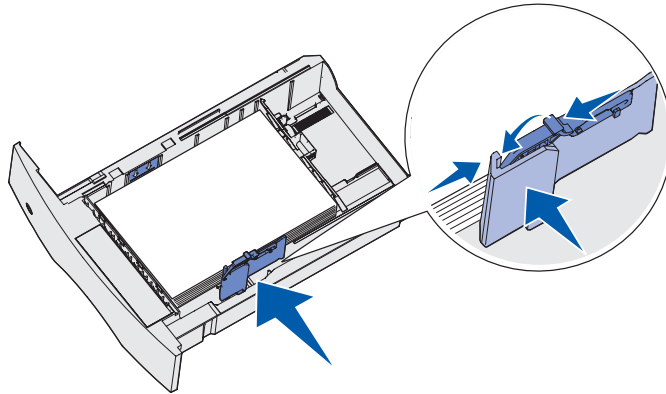
Before loading print media, flex the sheets back and forth to loosen them, and then fan them. Do not fold or crease the print media. Straighten the edges of the stack on a level surface.




- 4 Place the print media into the tray with the recommended print side face down for single-sided printing and face up for double-sided printing.

Do not exceed the maximum stack height indicated by the label in the tray. Overfilling the tray may cause jams.

- 5 Squeeze the width guide tab and the side of the guide together. Slide the width guide to the left until it lightly rests against the edge of the print media stack.



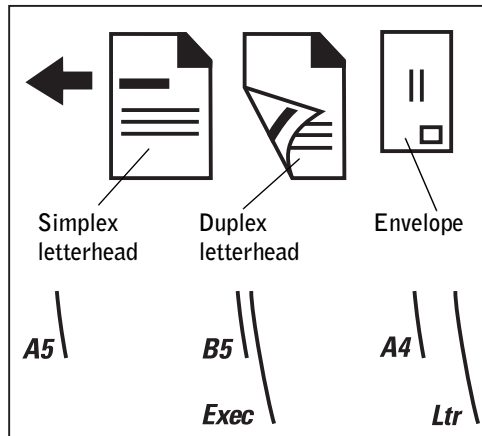
- 6 Insert the tray.

 **NOTE:** If you load any print media other than plain letter or A4 paper into the tray, make sure you change the Paper Type and Paper Size settings for that tray from your software application.

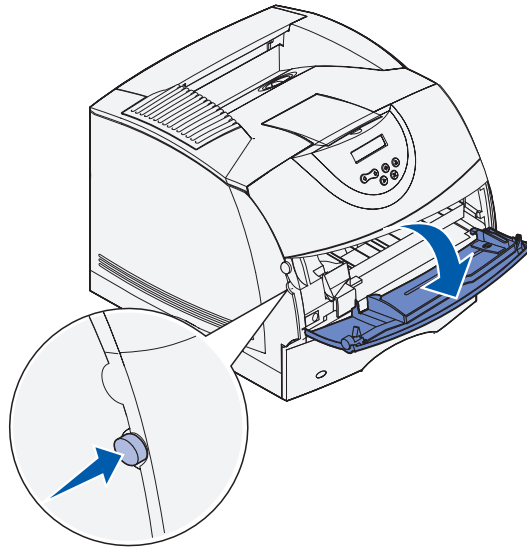
In the multipurpose feeder

The multipurpose feeder can hold several sizes and types of print media, such as transparencies, postcards, note cards, and envelopes. It is useful for single page printing on letterhead or colored paper.

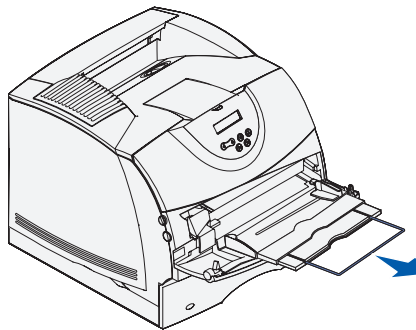
The icons on the multipurpose feeder show you how to load the multipurpose feeder with paper, how to turn an envelope for printing, and how to load letterhead paper for simplex or duplex printing. If you purchased a duplex option, refer to the *User's Guide* (Start → Programs or All Programs → Dell Printers → Dell Laser Printer W5300 → User's Guide).



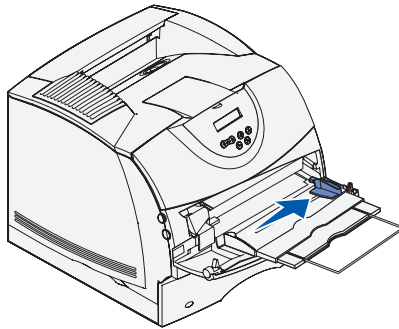
- 1 Push the lower release latch. The multipurpose feeder door drops open.



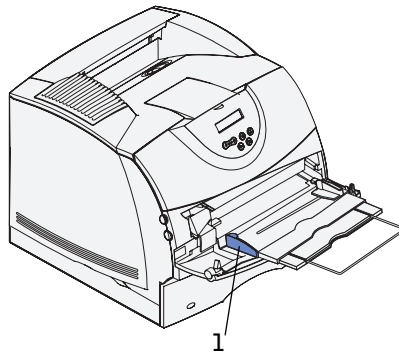
- 2 Locate the metal bar in the recessed area on the multipurpose feeder. Pull the bar out far enough to accommodate the print media you will be using.



- 3 Slide the width guide to the far right.

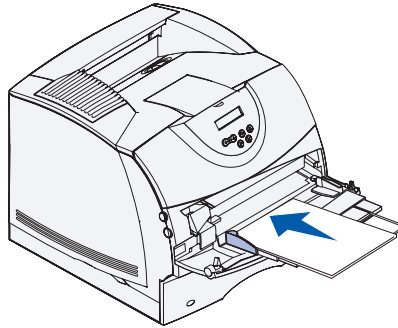


- 4 Load paper or transparencies with the left edge of the stack against the stack height limiter and with the recommended print side face up.

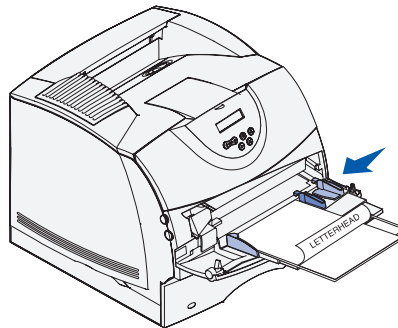


1 Stack height limiter

- 5 Gently slide the print media into the multipurpose feeder as far as it will go. Forcing the print media may cause it to buckle.



- 6 Slide the width guide to the left until it lightly touches the stack of print media. Do not bend the print media.



- 7 Select the source, size, and type from your software application and select print media size and type from the printer operator panel.
 - Make sure the Paper Size and Paper Type for the multipurpose feeder (MP Feeder Size and MP Feeder Type) are set to the correct value for the print media you are loading.
 - Press **Go** to return to **Ready**.

For tips on recommended papers, solving printing problems, and clearing jams, refer to the *User's Guide* (Start → Programs or All Programs → Dell Printers → Dell Laser Printer W5300 → User's Guide).

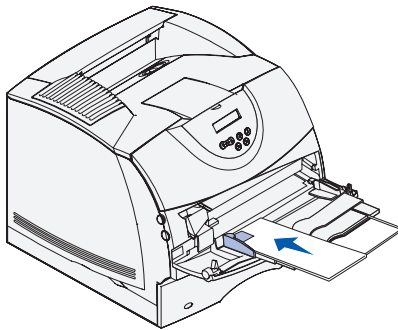
Loading envelopes

You can load envelopes in the multipurpose feeder or the optional envelope feeder. If you purchased the optional envelope feeder, refer to the *User's Guide* for loading instructions.

In the multipurpose feeder

Load envelopes flap side down with the stamp area and flap on the left. The end of the envelope with the stamp area enters the multipurpose feeder first.

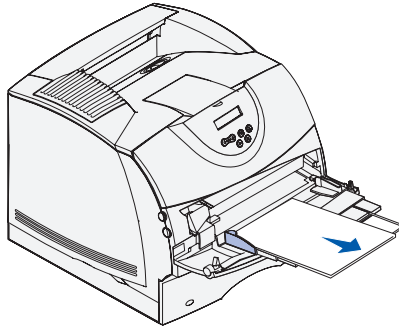
- ➔ **NOTICE:** Never use envelopes with stamps, clasps, snaps, windows, coated linings, or self-stick adhesives. These envelopes may severely damage the printer. The stamp is shown in the illustration only for placement.



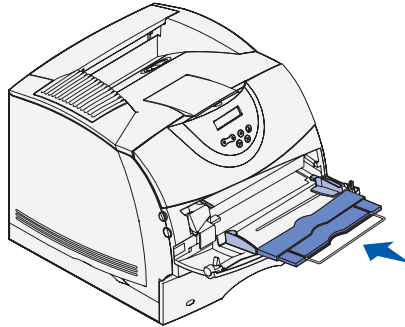
- ✎ **NOTE:** If envelopes jam while printing, try reducing the number of envelopes in the multipurpose feeder.

Closing the multipurpose feeder

- 1 Remove print media from the multipurpose feeder.



- 2 Push the metal bar straight back to collapse the multipurpose feeder to its short-length position.



- 3 Close the multipurpose feeder door.

SECTION 5

Use your printer

Changing the language on the operator panel

Using the operator panel to change printer settings

Printing a job

Canceling a job from the printer operator panel

Utilizing additional software tools

Replacing the toner cartridge

Changing the language on the operator panel

To display a different language on the operator panel:

- 1 Press and release **Menu** until you see **Setup Menu**, and then press **Select**.
- 2 Press and release **Menu** until **Display Language** appears, and then press **Select**.
- 3 Scroll through the languages to choose the one you want, and then press **Select**.

Using the operator panel to change printer settings

The diagram on page 59 shows the menu items in each menu. For detailed explanations of the menus, refer to the *User's Guide* (**Start** → **Programs** or **All Programs** → **Dell Printers** → **Dell Laser Printer W5300** → **User's Guide**).

You can select menu items and corresponding values from the operator panel. When you first enter the printer menus from the operator panel, you see an asterisk (*) next to a value in the menus. This asterisk indicates the *factory default setting*. These settings are the original printer settings. (Factory defaults may vary for different countries.)

When you select a new setting from the operator panel, the **Saved** message appears. When the **Saved** message disappears, an asterisk appears next to the setting to identify it as the current *user default setting*. These settings are active until new ones are selected or the factory defaults are restored.

To select a new value as a setting:

- 1 Make sure the printer is on and the **Ready** message appears on the display.
- 2 Press the **Menu** button on the printer. The menu names appear.
- 3 Continue to press and release **Menu** until you see the menu you need.
- 4 Press **Select** to select the menu or menu item on the second line of the display.
 - If the selection is a menu, the menu is opened and the first printer setting in the menu appears.
 - If the selection is a menu item, the default setting for the menu item appears. (The current user default setting has an asterisk [*] beside it.)

Each menu item has a list of values for the menu item. A value can be:

- A phrase or word to describe a setting
- A numerical value that can be changed
- An On or Off setting

5 Press **Menu** to scroll to the value you need.

6 Press **Select** to select the value on the second line of the operator panel. An asterisk appears beside the value to indicate that it is now the user default setting. The new setting appears for one second, clears, displays the word **Saved**, and then displays the previous list of menu items.

7 Press **Return** to go back to previous menus. Make additional menu selections to set new default settings. Press **Go** if this is the last printer setting you want to change.

User default settings remain in effect until you save new settings or restore the factory defaults. Settings you choose from your software application can also change or override the user default settings you select from the operator panel.

Restore factory default settings

To restore the original printer factory default settings:

- 1** Make sure the printer is on and the **Ready** message appears.
- 2** Press the **Menu** button on the printer until you see **Utilities Menu**, and then press **Select**.
- 3** Press **Menu** until you see **Factory Defaults**, and then press **Select**.
- 4** Restore appears on the second line of the display.
- 5** Press **Select**.

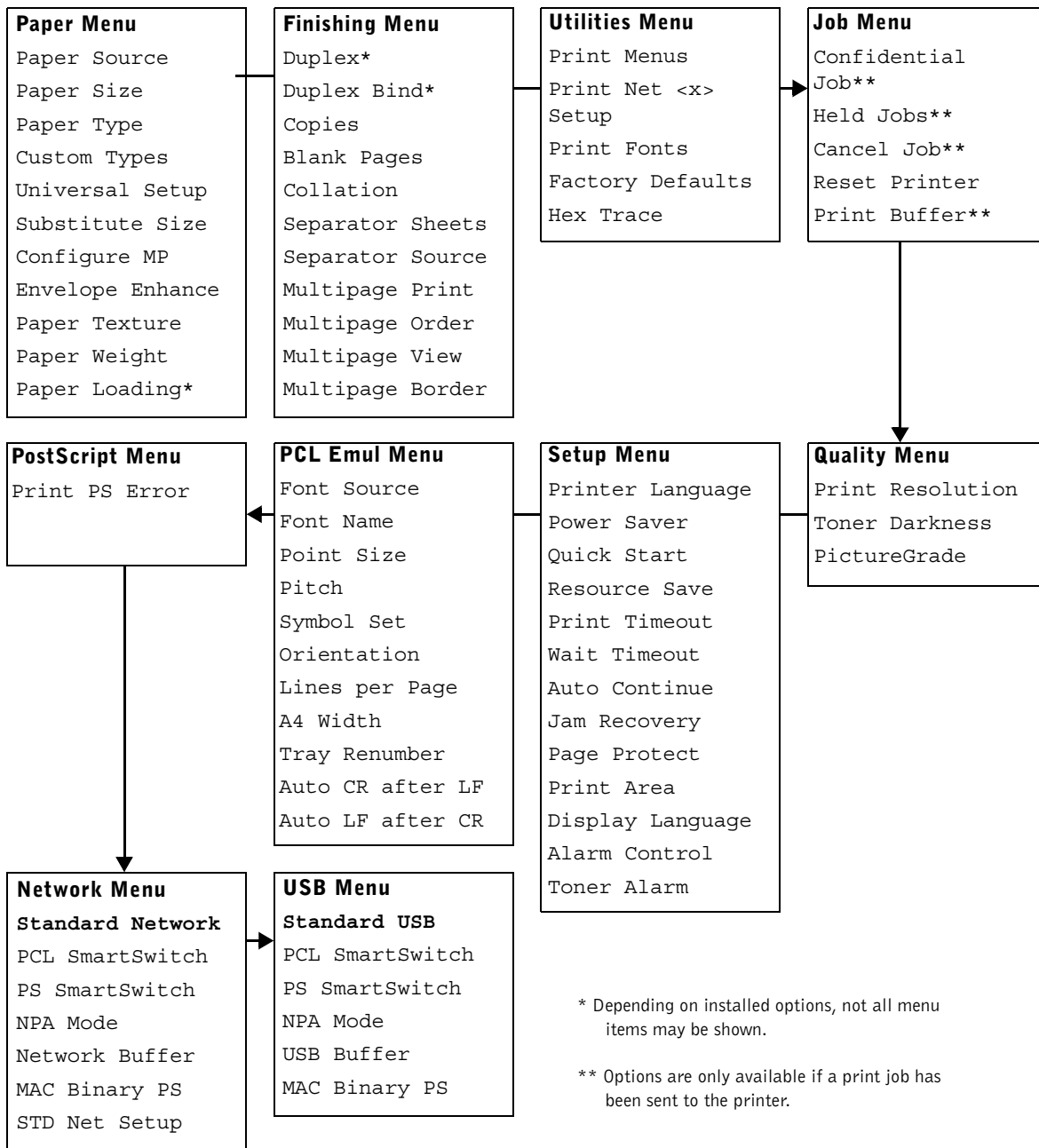
The message **Restoring Factory Defaults** appears, followed by the **Ready** message.

When you select Restore:

- No other button actions are available on the operator panel while Restoring Factory Defaults appears.
- All downloaded resources (fonts, macros, and symbol sets) in printer memory (RAM) are deleted. (Resources residing in flash memory or on the optional hard disk are unaffected.)
- All menu settings are returned to the factory default values, except:
 - The operator panel Display Language setting in the Setup Menu.
 - All settings in the Network Menu and USB Menu.

Disable menus

- **Menus Disabled** may appear when you press the **Menu** button from the **Ready** state. Disabling the menus prevents users from inadvertently changing a printer default that has been set by the person managing the printer. You can still clear messages and select items from the Job Menu when printing a job, but you cannot change other printer settings. You can, however, use your printer driver to override printer defaults and select settings for individual print jobs.



Printing a job

To print a job from a typical Microsoft® Windows® application:

- 1 Open the file you want to print.
- 2 From the File menu, select **Print**.
- 3 Verify that the correct printer is selected in the dialog box. Modify the printer settings as appropriate (such as the pages you want to print or the number of copies).
- 4 Click **Properties** or **Setup** to change printer settings not available from the first screen, and then click **OK**.
- 5 Click **OK** or **Print** to send the job to the printer.

Canceling a job from the printer operator panel

To cancel a print job after it has started printing:

- 1 Press the left arrow on the **Menu** button once. **JOB MENU** and **Cancel Job** are displayed.
- 2 Press **Select**. **Canceling Job** is displayed.

Utilizing additional software tools

Use the *Drivers and Utilities* CD that came with your printer to install a combination of software applications, depending on your operating system.

Operating System	Status Monitor	Status Monitor Center	Dell Toner Reorder Window	Dell Printer Software Uninstall	Driver Profiler
Windows 2000, Windows XP	Y	Y	Y	Y	Y
Windows NT	Y	Y	N	Y	Y
Windows 95, Windows 98, Windows Me	Y	N	N	Y	Y



NOTE: If you purchased your printer and computer separately, you must use the Drivers and Utilities CD to install these software applications.

Status Monitor

The Status Monitor alerts you when an error or warning occurs, for example, when the top cover is open or toner is running low.

The Status Monitor launches when you send a print job to the printer and only appears on the computer screen when an error or warning occurs.

Status Monitor Center

Use the Status Monitor Center to manage multiple Status Monitors.

- Select a printer from the drop-down list and then select **Run** to open a Status Monitor for a particular printer.
- Select **Update** to change the appearance of the list of printers.
- Select **Help** to read the online help.

Printing Status window

The Printing Status window displays the status of the printer (Printer Ready, Printer Offline, and Error—Check Printer) and the name of the job when you send a job to print. The Printing Status window also displays the level of toner so you can:

- Monitor the toner level for your printer.
- Click **Order Toner** to order replacement toner cartridges. See **Order Toner Reorder window** for more information.

Dell Toner Reorder Window

The Order Toner Cartridges dialog box can be launched from the Printing Status window, the Programs window, or the desktop icon.

You can order toner by phone or from the Web.

- 1** Click **Start** → **Programs** or **All Programs** → **Dell Printers** → **Dell Laser Printer W5300** → **Dell Printer Supplies—Laser**.
The Order Toner Cartridges window appears.
- 2** If ordering from the Web:
 - a** Choose your printer model from the drop-down list on the screen.
Enter your Dell printer Service Tag number in the field provided.
Your Service Tag number is located inside the front door of your printer.
 - b** Click **Visit Dell's cartridge ordering website**.
- 3** If ordering by phone, call the number that appears under the **By Telephone** heading.

Dell Printer Software Uninstall

Use the Uninstall software utility to remove any currently installed printer software or printer objects. You can access the Uninstall software utility two ways:

- 1** For Windows XP only: Click **Start** → **Control Panel** → **Printers and Other Hardware** → **Printers and Faxes**.
For all others: Click **Start** → **Settings** → **Printers**.
 - a** Select the printer object to uninstall, and then right-click the mouse.
 - b** Select **Dell Software Uninstall**.
 - c** Select the components to uninstall, and then click **Next**.


- d Click **Uninstall Now**.
- e Click **OK** when the uninstall is complete.
- 2 Click **Start** → **Programs** or **All Programs** → **Dell Printers** → **Dell Laser Printer W5300**.
 - a Select **Dell Printer Software Uninstall**.
 - b Select the components to uninstall, and then click **Next**.
 - c Click **Uninstall Now**.
 - d Click **OK** when the uninstall is complete.

Driver Profiler

Use the Driver Profiler to create driver profiles that contain custom driver settings. A driver profile can contain a group of saved printer driver settings and other data for things such as:

- Print orientation and N-Up (document settings)
- Installation status of an output tray (printer options)
- User-defined paper sizes (custom papers)
- Simple text and watermarks
- Overlay references
- Font references
- Form associations


Replacing the toner cartridge

 **CAUTION:** Before performing any of the procedures listed below, read and follow the safety instructions.


To order replacement toner cartridges, contact Dell online or by phone (see “Order toner cartridges” on page 2).

In addition to the toner level indicator that is displayed each time you send a job to print, an **88 Toner Low** message appears on the operator panel to alert you it’s time to order a new toner cartridge.

To use the remaining toner, remove the toner cartridge, shake it gently back and forth, and reinsert it. When the print fades or no longer prints satisfactorily, replace the toner cartridge.

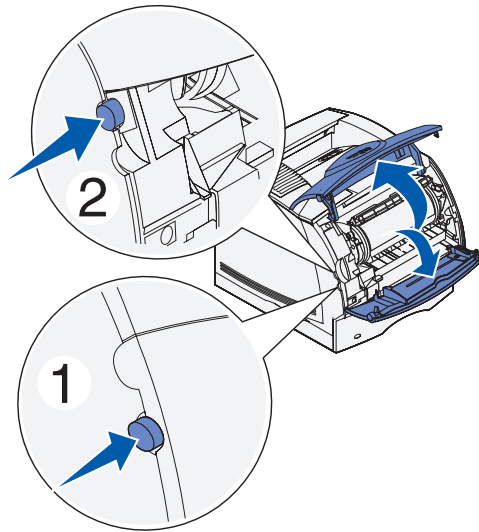
 **NOTE:** Dell does not recommend that you use toner cartridges from a third-party refiller. Print quality and printer reliability cannot be guaranteed if you do. For best results, use Dell supplies.

Removing the used toner cartridge

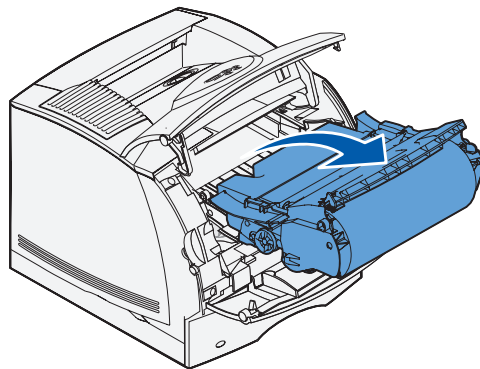
 **NOTE:** Remove any print jobs from the output bin before opening the upper front door.

Before performing any of the procedures listed in this section, read and follow the safety information on page 9.

- 1 Press latch 1 to open the lower door. Press latch 2 to open the upper door.



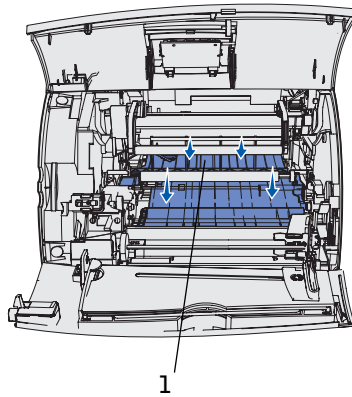
- 2 Grasp the toner cartridge by the handle and pull it up and out.



Cleaning the printer

Using a clean, lint-free cloth, gently clean the shaded areas by wiping toward the front of the printer.

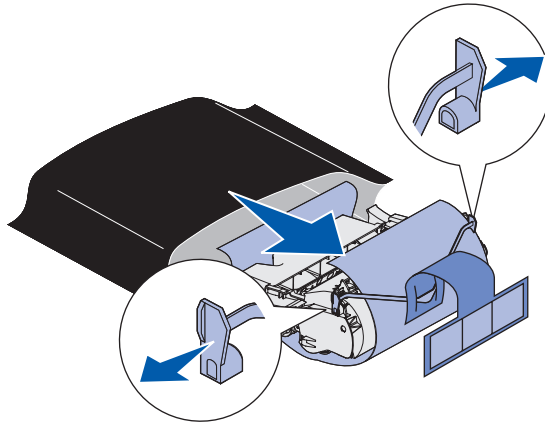
NOTICE: Do not touch the transfer roller.



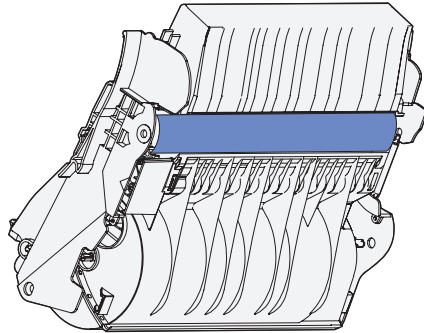
1 Transfer roller

Installing the new toner cartridge

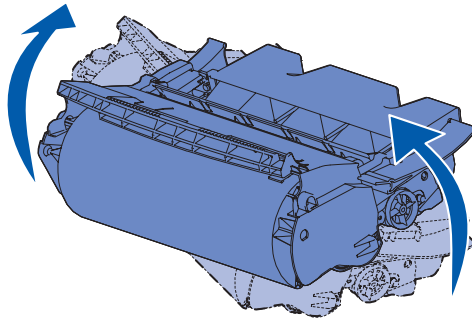
Remove the new cartridge from the packaging. Pull the tabs on each side of the plastic strap to remove the packaging foam from the toner cartridge.



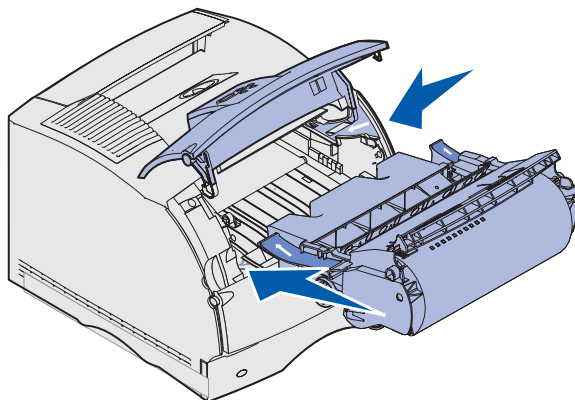
ⓘ NOTICE: Do not touch the photoconductor drum on the underside of the toner cartridge.



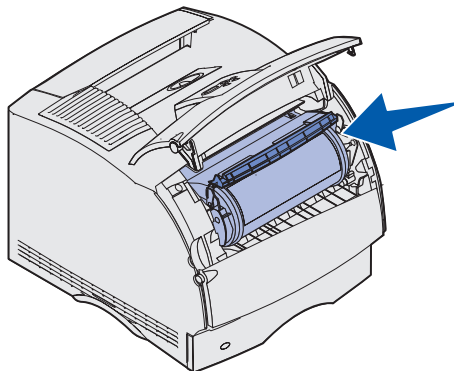
- 1 Gently shake the cartridge to distribute the toner.



- 2 Align the arrows on either side of the toner cartridge with the corresponding arrows in the printer.



- 3 Guide the toner cartridge in until it *snaps* into place.



- 4 Close the upper door, and then the lower door.
- 5 Turn the printer on.

SECTION 6

Appendix

Contacting Dell

Dell Software License Agreement

Contacting Dell

To contact Dell electronically, you can access the following websites:

- www.dell.com
- support.dell.com (technical support)
- premiersupport.dell.com (technical support for educational, government, healthcare, and medium/large business customers, including Premier, Platinum, and Gold customers)

For specific web addresses for your country, find the appropriate country section in the table below.

NOTE: Toll-free numbers are for use within the country for which they are listed.

When you need to contact Dell, use the electronic addresses, telephone numbers, and codes provided in the following table. If you need assistance in determining which codes to use, contact a local or an international operator.

Country (City) International Access Code Country Code City Code	Department Name or Service Area, Website and E-Mail Address	Area Codes, Local Numbers, and Toll-Free Numbers
Belgium (Brussels)	Website: support.euro.dell.com	
International Access Code: 00	E-mail: tech_be@dell.com	
Country Code: 32	E-mail for French Speaking Customers: support.euro.dell.com/be/fr/emaildell/	
City Code: 2	Technical Support	02 481 92 88
	Customer Care	02 481 91 19
	Corporate Sales	02 481 91 00
	Fax	02 481 92 99
	Switchboard	02 481 91 00

Country (City) International Access Code Country Code City Code	Department Name or Service Area, Website and E-Mail Address	Area Codes, Local Numbers, and Toll-Free Numbers
Canada (North York, Ontario) International Access Code: 011 Country Code: 1 City Code: 416	Online Order Status: www.dell.ca/ostatus AutoTech (automated technical support) TechFax Customer Care (Home Sales/Small Business) Customer Care (med./large business, government) Technical Support (Home Sales/Small Business) Technical Support (med./large bus., government) Sales (Home Sales/Small Business) Sales (med./large bus., government) Spare Parts Sales & Extended Service Sales	toll-free: 1-800-247-9362 toll-free: 1-800-950-1329 toll-free: 1-800-847-4096 toll-free: 1-800-326-9463 toll-free: 1-800-847-4096 toll-free: 1-800-387-5757 toll-free: 1-800-387-5752 toll-free: 1-800-387-5755 1 866 440 3355
Denmark (Copenhagen) International Access Code: 00 Country Code: 45	Website: support.euro.dell.com E-mail Support (portable computers): den_nbk_support@dell.com E-mail Support (desktop computers): den_support@dell.com E-mail Support (servers): Nordic_server_support@dell.com Technical Support Customer Care (Relational) Home/Small Business Customer Care Switchboard (Relational) Fax Switchboard (Relational) Switchboard (Home/Small Business) Fax Switchboard (Home/Small Business)	7023 0182 7023 0184 3287 5505 3287 1200 3287 1201 3287 5000 3287 5001
Finland (Helsinki) International Access Code: 990 Country Code: 358 City Code: 9	Website: support.euro.dell.com E-mail: fin_support@dell.com E-mail Support (servers): Nordic_support@dell.com Technical Support Technical Support Fax Relational Customer Care Home/Small Business Customer Care Fax Switchboard	09 253 313 60 09 253 313 81 09 253 313 38 09 693 791 94 09 253 313 99 09 253 313 00

Country (City) International Access Code Country Code City Code	Department Name or Service Area, Website and E-Mail Address	Area Codes, Local Numbers, and Toll-Free Numbers
France (Paris) (Montpellier) International Access Code: 00 Country Code: 33 City Codes: (1) (4)	Website: support.euro.dell.com	
	E-mail: support.euro.dell.com/fr/fr/emaildell/	
	Home and Small Business	
	Technical Support	0825 387 270
	Customer Care	0825 823 833
	Switchboard	0825 004 700
	Switchboard (calls from outside of France)	04 99 75 40 00
	Sales	0825 004 700
	Fax	0825 004 701
	Fax (calls from outside of France)	04 99 75 40 01
	Corporate	
	Technical Support	0825 004 719
	Customer Care	0825 338 339
	Switchboard	01 55 94 71 00
	Sales	01 55 94 71 00
Fax	01 55 94 71 01	
Germany (Langen)	Website: support.euro.dell.com	
	E-mail: tech_support_central_europe@dell.com	
	Technical Support	06103 766-7200
	Home/Small Business Customer Care	0180-5-224400
	Global Segment Customer Care	06103 766-9570
	Preferred Accounts Customer Care	06103 766-9420
	Large Accounts Customer Care	06103 766-9560
	Public Accounts Customer Care	06103 766-9555
Switchboard	06103 766-7000	
Greece	Website: support.euro.dell.com	
	E-mail: support.euro.dell.com/gr/en/emaildell/	
	Technical Support	080044149518
	Gold Technical Support	08844140083
	Switchboard	2108129800
	Sales	2108129800
Fax	2108129812	

Country (City) International Access Code Country Code City Code	Department Name or Service Area, Website and E-Mail Address	Area Codes, Local Numbers, and Toll-Free Numbers
India	Technical Support	1600 33 8045
	Sales	1600 33 8044
Ireland (Cherrywood)	Website: support.euro.dell.com	
International Access Code: 16	E-mail: dell_direct_support@dell.com	
Country Code: 353	Ireland Technical Support	1850 543 543
City Code: 1	U.K. Technical Support (dial within U.K. only)	0870 908 0800
	Home User Customer Care	01 204 4014
	Small Business Customer Care	01 204 4014
	U.K. Customer Care (dial within U.K. only)	0870 906 0010
	Corporate Customer Care	1850 200 982
	Corporate Customer Care (dial within U.K. only)	0870 907 4499
	Ireland Sales	01 204 4444
	U.K. Sales (dial within U.K. only)	0870 907 4000
	Fax/SalesFax	01 204 0103
	Switchboard	01 204 4444
Italy (Milan)	Website: support.euro.dell.com	
International Access Code: 00	E-mail: support.euro.dell.com/it/it/emaildell/	
Country Code: 39	Home and Small Business	
City Code: 02	Technical Support	02 577 826 90
	Customer Care	02 696 821 14
	Fax	02 696 821 13
	Switchboard	02 696 821 12
	Corporate	
	Technical Support	02 577 826 90
	Customer Care	02 577 825 55
	Fax	02 575 035 30
	Switchboard	02 577 821

Country (City) International Access Code Country Code City Code	Department Name or Service Area, Website and E-Mail Address	Area Codes, Local Numbers, and Toll-Free Numbers
Latin America	Customer Technical Support (Austin, Texas, U.S.A.)	512 728-4093
	Customer Service (Austin, Texas, U.S.A.)	512 728-3619
	Fax (Technical Support and Customer Service) (Austin, Texas, U.S.A.)	512 728-3883
	Sales (Austin, Texas, U.S.A.)	512 728-4397
	SalesFax (Austin, Texas, U.S.A.)	512 728-4600 or 512 728-3772
Luxembourg	Website: support.euro.dell.com	
International Access Code: 00	E-mail: tech_be@dell.com	
Country Code: 352	Technical Support (Brussels, Belgium)	3420808075
	Home/Small Business Sales (Brussels, Belgium)	toll-free: 080016884
	Corporate Sales (Brussels, Belgium)	02 481 91 00
	Customer Care (Brussels, Belgium)	02 481 91 19
	Fax (Brussels, Belgium)	02 481 92 99
	Switchboard (Brussels, Belgium)	02 481 91 00
Mexico	Customer Technical Support	001-877-384-8979
International Access Code: 00		or 001-877-269-3383
Country Code: 52	Sales	50-81-8800 or 01-800-888-3355
	Customer Service	001-877-384-8979 or 001-877-269-3383
	Main	50-81-8800 or 01-800-888-3355

Country (City) International Access Code Country Code City Code	Department Name or Service Area, Website and E-Mail Address	Area Codes, Local Numbers, and Toll-Free Numbers
Netherlands (Amsterdam) International Access Code: 00 Country Code: 31 City Code: 20	Website: support.euro.dell.com	
	E-mail (Technical Support):	
	(Enterprise): nl_server_support@dell.com	
	(Latitude): nl_latitude_support@dell.com	
	(Inspiron): nl_inspiron_support@dell.com	
	(Dimension): nl_dimension_support@dell.com	
	(OptiPlex): nl_optiplex_support@dell.com	
	(Dell Precision):	
	nl_workstation_support@dell.com	
	Technical Support	020 674 45 00
	Technical Support Fax	020 674 47 66
	Home/Small Business Customer Care	020 674 42 00
	Relational Customer Care	020 674 4325
	Home/Small Business Sales	020 674 55 00
Relational Sales	020 674 50 00	
Home/Small Business Sales Fax	020 674 47 75	
Relational Sales Fax	020 674 47 50	
Switchboard	020 674 50 00	
Switchboard Fax	020 674 47 50	
Norway (Lysaker) International Access Code: 00 Country Code: 47	Website: support.euro.dell.com	
	E-mail Support (portable computers):	
	nor_nbk_support@dell.com	
	E-mail Support (desktop computers):	
	nor_support@dell.com	
	E-mail Support (servers):	
	nordic_server_support@dell.com	
	Technical Support	671 16882
	Relational Customer Care	671 17514
Home/Small Business Customer Care	23162298	
Switchboard	671 16800	
Fax Switchboard	671 16865	

Country (City) International Access Code Country Code City Code	Department Name or Service Area, Website and E-Mail Address	Area Codes, Local Numbers, and Toll-Free Numbers
Poland (Warsaw)	Website: support.euro.dell.com	
International Access Code: 011	E-mail: pl_support@dell.com	
Country Code: 48	Customer Service Phone	57 95 700
City Code: 22	Customer Care	57 95 999
	Sales	57 95 999
	Customer Service Fax	57 95 806
	Reception Desk Fax	57 95 998
	Switchboard	57 95 999
Portugal	Website: support.euro.dell.com	
International Access Code: 00	E-mail: support.euro.dell.com/pt/en/emailldell/	
Country Code: 351	Technical Support	707200149
	Customer Care	800 300 413
	Sales	800 300 410 or 800 300 411 or 800 300 412 or 21 422 07 10
	Fax	21 424 01 12
Puerto Rico	General Support	1-800-805-7545
Singapore (Singapore)	Technical Support	toll-free: 800 6011 051
International Access Code: 005	Customer Service (Penang, Malaysia)	604 633 4949
Country Code: 65	Transaction Sales	toll-free: 800 6011 054
	Corporate Sales	toll-free: 800 6011 053
Spain (Madrid)	Website: support.euro.dell.com	
International Access Code: 00	E-mail: support.euro.dell.com/es/es/emailldell/	
Country Code: 34	Home and Small Business	
City Code: 91	Technical Support	902 100 130
	Customer Care	902 118 540
	Sales	902 118 541
	Switchboard	902 118 541
	Fax	902 118 539
	Corporate	
	Technical Support	902 100 130
	Customer Care	902 118 546
	Switchboard	91 722 92 00
	Fax	91 722 95 83

Country (City) International Access Code Country Code City Code	Department Name or Service Area, Website and E-Mail Address	Area Codes, Local Numbers, and Toll-Free Numbers
Sweden (Upplands Vasby) International Access Code: 00 Country Code: 46 City Code: 8	Website: support.euro.dell.com E-mail: swe_support@dell.com E-mail Support for Latitude and Inspiron: Swe-nbk_kats@dell.com E-mail Support for OptiPlex: Swe_kats@dell.com E-mail Support for Servers: Nordic_server_support@dell.com	
	Technical Support	08 590 05 199
	Relational Customer Care	08 590 05 642
	Home/Small Business Customer Care	08 587 70 527
	Employee Purchase Program (EPP) Support	20 140 14 44
	Fax Technical Support	08 590 05 594
	Sales	08 590 05 185
Switzerland (Geneva) International Access Code: 00 Country Code: 41 City Code: 22	Website: support.euro.dell.com E-mail: swisstech@dell.com E-mail for French-speaking HSB and Corporate Customers: support.euro.dell.com/ch/fr/emailldell/	
	Technical Support (Home and Small Business)	0844 811 411
	Technical Support (Corporate)	0844 822 844
	Customer Care (Home and Small Business)	0848 802 202
	Customer Care (Corporate)	0848 821 721
	Fax	022 799 01 90
	Switchboard	022 799 01 01

Country (City) International Access Code Country Code City Code	Department Name or Service Area, Website and E-Mail Address	Area Codes, Local Numbers, and Toll-Free Numbers
U.K. (Bracknell)	Website: support.euro.dell.com	
International Access Code: 00	Customer Care website: support.euro.dell.com/uk/en/ECare/Form/Home.asp	
Country Code: 44		
City Code: 1344	E-mail: dell_direct_support@dell.com	
	Technical Support (Corporate/Preferred Accounts/PAD [1000+ employees])	0870 908 0500
	Technical Support (direct/PAD and general)	0870 908 0800
	Global Accounts Customer Care	01344 373 186
	Home and Small Business Customer Care	0870 906 0010
	Corporate Customer Care	01344 373 185
	Preferred Accounts (500–5000 employees) Customer Care	0870 906 0010
	Central Government Customer Care	01344 373 193
	Local Government & Education Customer Care	01344 373 199
	Health Customer Care	01344 373 194
	Home and Small Business Sales	0870 907 4000
	Corporate/Public Sector Sales	01344 860 456

Country (City) International Access Code Country Code City Code	Department Name or Service Area, Website and E-Mail Address	Area Codes, Local Numbers, and Toll-Free Numbers
U.S.A. (Austin, Texas)	Automated Order-Status Service	toll-free: 1-800-433-9014
International Access Code: 011 Country Code: 1	AutoTech (portable and desktop computers)	toll-free: 1-800-247-9362
	Consumer (Home and Home Office)	
	Technical Support	toll-free: 1-800-624-9896
	Customer Service	toll-free: 1-800-624-9897
	DellNet™ Service and Support	toll-free: 1-877-Dellnet (1-877-335-5638)
	Employee Purchase Program (EPP) Customers	toll-free: 1-800-695-8133
	Financial Services website: www.dellfinancialservices.com	
	Financial Services (lease/loans)	toll-free: 1-877-577-3355
	Financial Services (Dell Preferred Accounts [DPA])	toll-free: 1-800-283-2210
	Business	
	Customer Service and Technical Support	toll-free: 1-800-822-8965
	Employee Purchase Program (EPP) Customers	toll-free: 1-800-695-8133
	Projectors Technical Support	toll-free: 1-877-459-7298
	Public (government, education, and healthcare)	
	Customer Service and Technical Support	toll-free: 1-800-456-3355
	Employee Purchase Program (EPP) Customers	toll-free: 1-800-234-1490
	Dell Sales	toll-free: 1-800-289-3355 or toll-free: 1-800-879-3355
	Dell Outlet Store (Dell refurbished computers)	toll-free: 1-888-798-7561
	Software and Peripherals Sales	toll-free: 1-800-671-3355
	Spare Parts Sales	toll-free: 1-800-357-3355
	Extended Service and Warranty Sales	toll-free: 1-800-247-4618
	Fax	toll-free: 1-800-727-8320
	Dell Services for the Deaf, Hard-of-Hearing, or Speech-Impaired	toll-free: 1-877-DELLTTY (1-877-335-5889)

Dell Software License Agreement

This is a legal agreement between you, the user, and Dell Products, L.P. ("Dell"). This agreement covers all software that is distributed with the Dell product, for which there is no separate license agreement between you and the manufacturer or owner of the software (collectively the "Software"). By opening or breaking the seal on the Software packet(s), installing or downloading the Software, or using the Software that has been preloaded or is embedded in your computer, you agree to be bound by the terms of this agreement. If you do not agree to these terms, promptly return all Software items (disks, written materials, and packaging) and delete any preloaded or embedded Software.

You may use one copy of the Software on only one computer at a time. If you have multiple licenses for the Software, you may use as many copies at any time as you have licenses.

"Use" means loading the Software in temporary memory or permanent storage on the computer. Installation on a network server solely for distribution to other computers is not "use" if (but only if) you have a separate license for each computer to which the Software is distributed. You must ensure that the number of persons using the Software installed on a network server does not exceed the number of licenses that you have. If the number of users of Software installed on a network server will exceed the number of licenses, you must purchase additional licenses until the number of licenses equals the number of users before allowing additional users to use the Software. If you are a commercial customer of Dell or a Dell affiliate, you hereby grant Dell, or an agent selected by Dell, the right to perform an audit of your use of the Software during normal business hours, you agree to cooperate with Dell in such audit, and you agree to provide Dell with all records reasonably related to your use of the Software. The audit will be limited to verification of your compliance with the terms of this agreement.

The Software is protected by United States copyright laws and international treaties. You may make one copy of the Software solely for backup or archival purposes or transfer it to a single hard disk provided you keep the original solely for backup or archival purposes. You may not rent or lease the Software or copy the written materials accompanying the Software, but you may transfer the Software and all accompanying materials on a permanent basis if you retain no copies and the recipient agrees to the terms hereof. Any transfer must include the most recent update and all prior versions. You may not reverse engineer, decompile or disassemble the Software. If the package accompanying your computer contains compact discs, 3.5" and/or 5.25" disks, you may use only the disks appropriate for your computer. You may not use the disks on another computer or network, or loan, rent, lease, or transfer them to another user except as permitted by this agreement.

Limited Warranty

Dell warrants that the Software disks will be free from defects in materials and workmanship under normal use for ninety (90) days from the date you receive them. This warranty is limited to you and is not transferable. Any implied warranties are limited to ninety (90) days from the date you receive the Software. Some jurisdictions do not allow limits on the duration of an implied warranty, so this limitation may not apply to you. The entire liability of Dell and its suppliers, and your exclusive remedy, shall be (a) return of the price paid for the Software or (b) replacement of any disk not meeting this warranty that is sent with a return authorization number to Dell, at your cost and risk. This limited warranty is void if any disk damage has resulted from accident, abuse, misapplication, or service or modification by someone other than Dell. Any replacement disk is warranted for the remaining original warranty period or thirty (30) days, whichever is longer.

Dell does NOT warrant that the functions of the Software will meet your requirements or that operation of the Software will be uninterrupted or error free. You assume responsibility for selecting the Software to achieve your intended results and for the use and results obtained from the Software.

DELL, ON BEHALF OF ITSELF AND ITS SUPPLIERS, DISCLAIMS ALL OTHER WARRANTIES, EXPRESS OR IMPLIED, INCLUDING, BUT NOT LIMITED TO, IMPLIED WARRANTIES OF MERCHANTABILITY AND FITNESS FOR A PARTICULAR PURPOSE, FOR THE SOFTWARE AND ALL ACCOMPANYING WRITTEN MATERIALS. This limited warranty gives you specific legal rights; you may have others, which vary from jurisdiction to jurisdiction.

IN NO EVENT SHALL DELL OR ITS SUPPLIERS BE LIABLE FOR ANY DAMAGES WHATSOEVER (INCLUDING, WITHOUT LIMITATION, DAMAGES FOR LOSS OF BUSINESS PROFITS, BUSINESS INTERRUPTION, LOSS OF BUSINESS INFORMATION, OR OTHER PECUNIARY LOSS) ARISING OUT OF USE OR INABILITY TO USE THE SOFTWARE, EVEN IF ADVISED OF THE POSSIBILITY OF SUCH DAMAGES. Because some jurisdictions do not allow an exclusion or limitation of liability for consequential or incidental damages, the above limitation may not apply to you.

U.S. Government Restricted Rights

The software and documentation are "commercial items" as that term is defined at 48 C.F.R. 2.101, consisting of "commercial computer software" and "commercial computer software documentation" as such terms are used in 48 C.F.R. 12.212. Consistent with 48 C.F.R. 12.212 and 48 C.F.R. 227.7202-1 through 227.7202-4, all U.S. Government end users acquire the software and documentation with only those rights set forth herein. Contractor/manufacturer is Dell Products, L.P., One Dell Way, Round Rock, Texas 78682.

General

This license is effective until terminated. It will terminate upon the conditions set forth above or if you fail to comply with any of its terms. Upon termination, you agree that the Software and accompanying materials, and all copies thereof, will be destroyed. This agreement is governed by the laws of the State of Texas. Each provision of this agreement is severable. If a provision is found to be unenforceable, this finding does not affect the enforceability of the remaining provisions, terms, or conditions of this agreement. This agreement is binding on successors and assigns. Dell agrees and you agree to waive, to the maximum extent permitted by law, any right to a jury trial with respect to the Software or this agreement. Because this waiver may not be effective in some jurisdictions, this waiver may not apply to you. You acknowledge that you have read this agreement, that you understand it, that you agree to be bound by its terms, and that this is the complete and exclusive statement of the agreement between you and Dell regarding the Software.

Index

A

- attaching the printer
 - directly to the network (no queue), 24
 - directly to the network (queue), 21
 - locally, 13

C

- canceling a job, 60
- changing printer settings
 - from the operator panel, 56
- changing the language
 - from the operator panel, 56

D

- Dell Printer Software Uninstall, 62
- Dell Toner Re-Order Window, 62
- disable menus
 - from the operator panel, 58
- driver profiler, using, 63
- drivers, installing, 38

F

- factory defaults, restoring, 57

I

- installing
 - a toner cartridge, 66
 - optional memory cards, 29
 - printer drivers, 38
 - for all clients, 20, 23, 27
 - on the network, 26
 - using Linux, 18
 - using Novell NetWare, 19
 - using Windows 2000, 14, 40
 - using Windows 95, 17
 - using Windows 98, 16, 43
 - using Windows Me, 15, 41
 - using Windows NT, 16, 42
 - using Windows XP, 14, 39
- IP address, locating, 21, 24

L

- Linux, drivers, 18
- loading paper
 - multipurpose feeder, 49
 - standard tray, 46

- loading transparencies
 - multipurpose feeder, 49
 - standard tray, 46
- local printing, 38
- locating the IP address, 21, 24

M

- maintaining the printer
 - cleaning the printer, 65
 - toner cartridge
 - installing, 66
- memory cards, installing, 29
- menus, disabled, 58
- multipurpose feeder
 - closing, 54
 - icons, 49
 - loading paper, 49
 - loading transparencies, 49

N

- network printing, 11
- network, attaching to, 21, 24
- Novell NetWare, using, 19

O

- operator panel
 - changing printer settings, 56
 - changing the language, 56
 - disable menus, 58
 - restoring factory default settings, 57
- ordering supplies, 2

P

- print server
 - attaching locally to, 13
 - shared printing, 19
- printer memory, 29
- printer software uninstall, using, 62
- printing
 - local, 37
 - network, 37
 - using a USB cable, 13
- printing a job, 60
- printing status window, using, 62

R

- replacing the toner cartridge, 64
- restoring factory defaults, 57

S

- safety information, 9

- shared printing
 - on a print server, 19
 - on a server, 22
- software applications
 - driver profiler, 63
 - printing status, 62
 - status monitor, 61
 - status monitor center, 61
 - toner re-order, 62
 - uninstall, 62
- status monitor center, using, 61
- status monitor, using, 61
- supplies, ordering, 2

T

- toner cartridge
 - cleaning the printer, 65
 - replacing, 64
- toner cartridge, installing, 66
- toner re-order window, using, 62
- toner, ordering, 2

U

- uninstall software, 62

W

- Windows 98, drivers, 16
- Windows Me, drivers, 15
- Windows NT, drivers, 16



Free Manuals Download Website

<http://myh66.com>

<http://usermanuals.us>

<http://www.somanuals.com>

<http://www.4manuals.cc>

<http://www.manual-lib.com>

<http://www.404manual.com>

<http://www.luxmanual.com>

<http://aubethermostatmanual.com>

Golf course search by state

<http://golfingnear.com>

Email search by domain

<http://emailbydomain.com>

Auto manuals search

<http://auto.somanuals.com>

TV manuals search

<http://tv.somanuals.com>