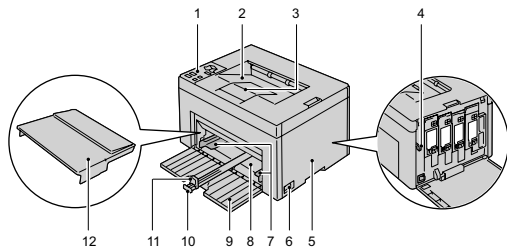
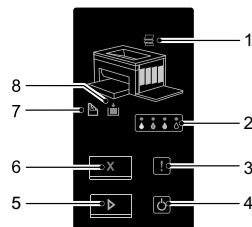


About Your Printer

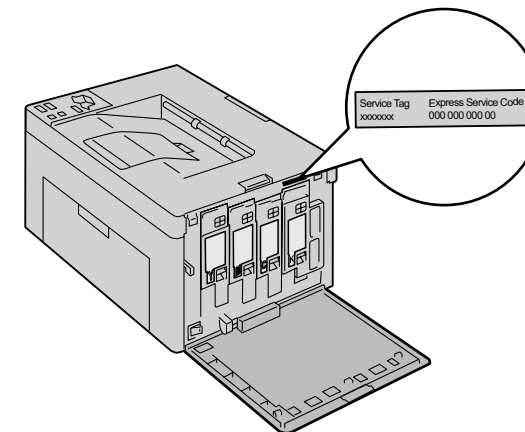


1	Operator Panel	2	Output Tray
3	Output Tray Extension	4	Print Head Cleaning Rod
5	Toner Access Cover	6	Power Switch
7	Paper Width Guides	8	Multipurpose Feeder (MPF)
9	Front Cover	10	Length Guide
11	MPF Extension	12	Paper Cover



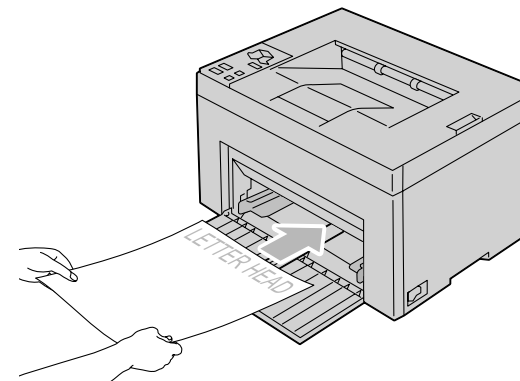
1	(Jam) indicator	<ul style="list-style-type: none"> Indicates that a paper jam occurred or the rear cover is open.
2	(Toner) indicator	<ul style="list-style-type: none"> Indicates that the toner is low or empty, or toner error occurred.
3	(Error) indicator	Indicates that an error occurred.
4	(Ready/Data) indicator	Indicates the printer status, such as receiving and printing data.
5	(Start) button/indicator	<ul style="list-style-type: none"> Press this button to start duplex printing after loading paper. Press and hold this button to print the Report pages.
6	(Cancel) button	Press this button to cancel a job or clear an error.
7	(Manual Duplex) indicator	Indicates that the printer is ready to print the second side (odd) pages for duplex printing.
8	(Load Paper) indicator	Indicates that no paper is loaded or a paper jam occurred in the multipurpose feeder.

Locating the Service Tag



Loading Letterhead

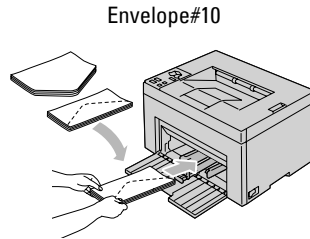
Load the letterhead in the printer with the print-side facing up. Ensure that the title on the letter head enters the printer first.



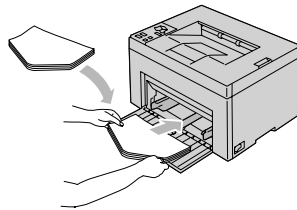
Loading Envelopes

Load envelopes in the printer as shown below:

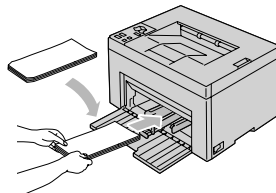
NOTE: When you print on envelopes, be sure to specify the envelope setting on the printer driver. If not specified, the print image will be rotated 180 degrees.



To prevent DL and Monarch from being wrinkled, they are recommended to be loaded with the print-side facing up, flap opened, and facing you.



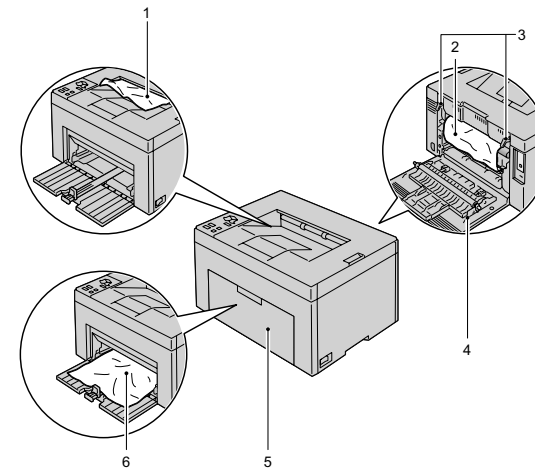
C5, Monarch, or DL



Identifying the Location of Paper Jams



The paper jams may occur at any of the locations shown below:

CAUTION: To avoid permanent damage to your printer, do not attempt to clear paper jams using any tools or instruments.



- | | |
|---|---------------------------|
| 1 | Output Tray |
| 2 | Transfer Belt |
| 3 | Fuser Release lever |
| 4 | Rear Cover |
| 5 | Front Cover |
| 6 | Multipurpose Feeder (MPF) |

Printing the Printer Settings Page

- 1 Ensure that the green LED on the  (Ready/Data) indicator is on and not blinking, and then press and hold the  (Start) button for over three seconds. The printer settings page is printed.

Finding Information

For more information, see the following documents available on the *Drivers and Utilities* disc.

- **Setup Guide**
Setup instructions for printer hardware. Access to software and drivers.
- **User's Guide**
Additional information about printer components, paper jam clearance, and consumable replacement.

Troubleshooting

Clearing jams

- ➔ See "Clearing Jams" in the *User's Guide*

Print quality and other printing problems

- ➔ See "Troubleshooting" in the *User's Guide*

Common error messages

- ➔ See "Understanding Printer Messages" in the *User's Guide*

Cleaning the Printer

Vertical blanks in prints

- ➔ See "Maintaining Your Printer" in the *User's Guide*

An alert for the CTD sensor appears

- ➔ See "Maintaining Your Printer" in the *User's Guide*

Replacing Toners

To replace toners

- ➔ See "Maintaining Your Printer" in the *User's Guide*

Free Manuals Download Website

<http://myh66.com>

<http://usermanuals.us>

<http://www.somanuals.com>

<http://www.4manuals.cc>

<http://www.manual-lib.com>

<http://www.404manual.com>

<http://www.luxmanual.com>

<http://aubethermostatmanual.com>

Golf course search by state

<http://golfingnear.com>

Email search by domain

<http://emailbydomain.com>

Auto manuals search

<http://auto.somanuals.com>

TV manuals search

<http://tv.somanuals.com>