

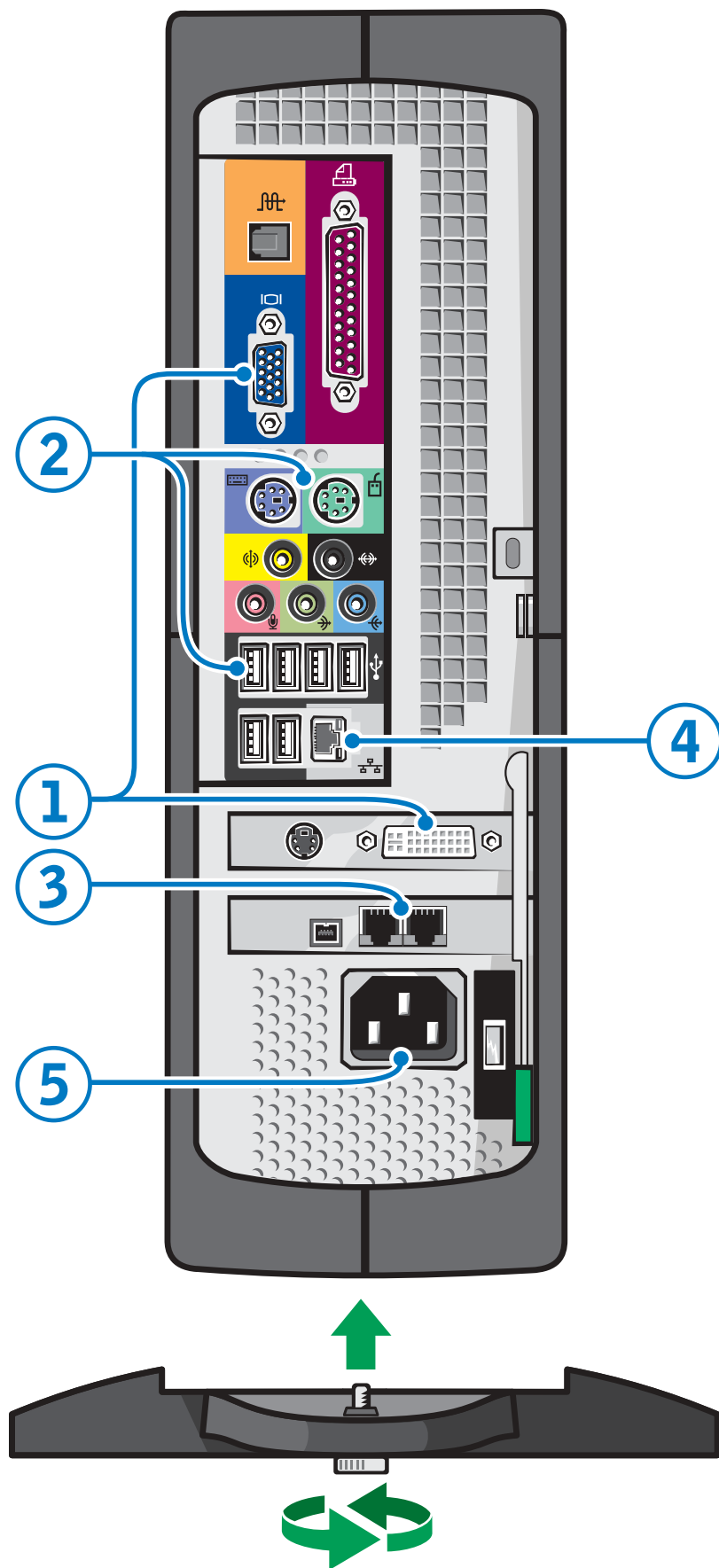


Set Up Your Computer First

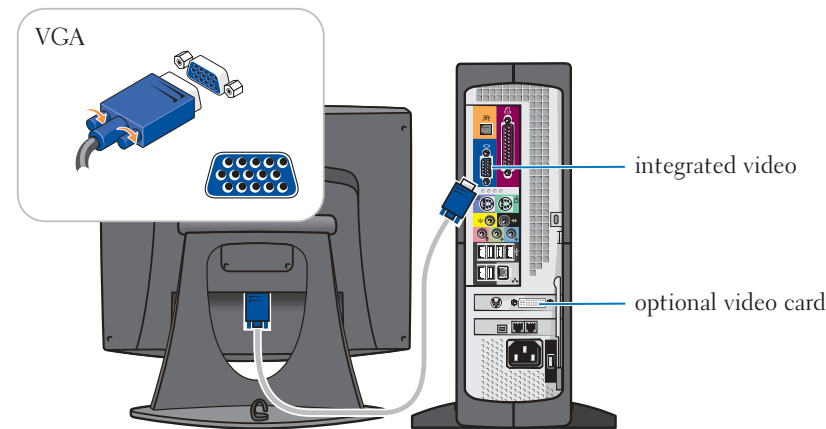


CAUTION:

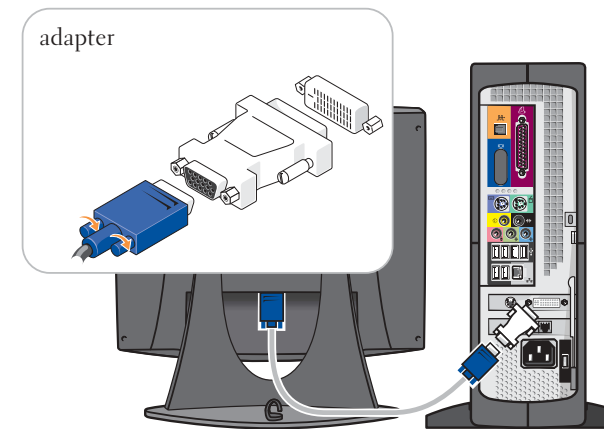
Before you set up and operate your Dell™ computer, read and follow the safety instructions in your *Owner's Manual*.



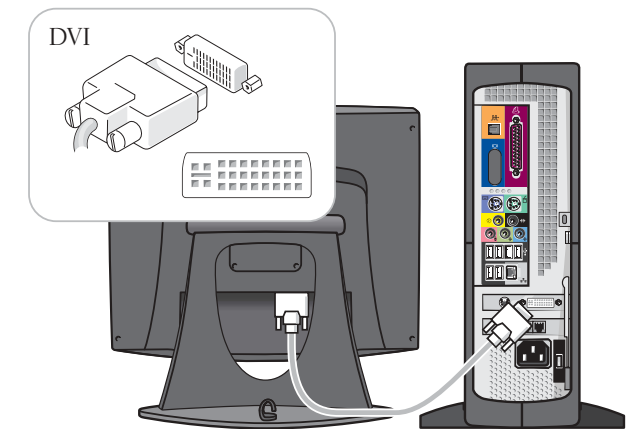
See your *Owner's Manual* for instructions on attaching the stand. The screw is attached to the bottom of the stand.



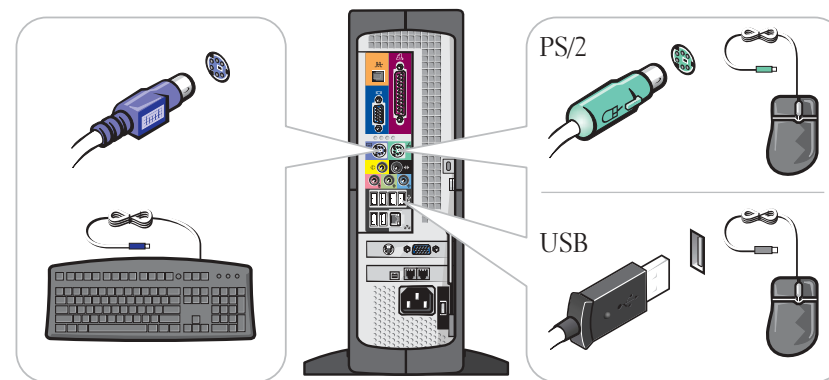
1 Options for connecting the monitor - VGA→VGA
If your monitor has a VGA connector and the optional video card is not present, connect your monitor to the integrated video connector.



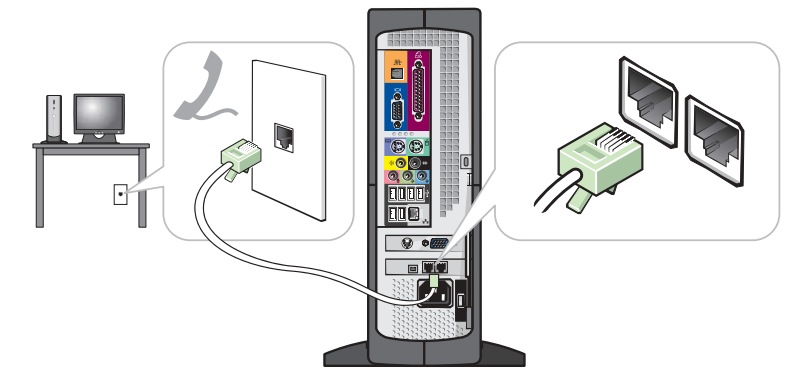
VGA→DVI
If your monitor has a VGA connector and the optional video card is present, connect your monitor to the optional video card connector using the DVI adapter (included).



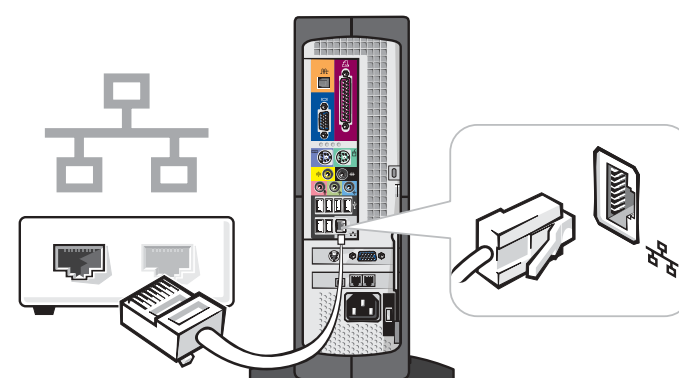
DVI→DVI
If your monitor has a DVI connector, connect your monitor to the optional video card connector.



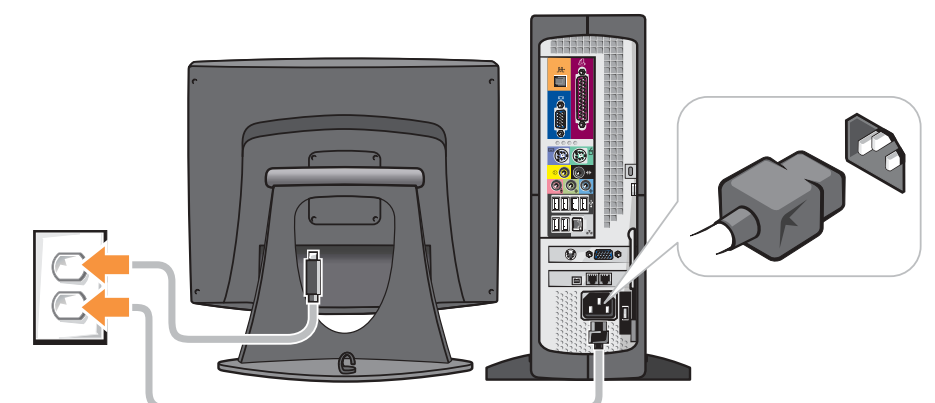
2 Connect a keyboard and a mouse.



3 If you have a modem, connect a telephone cable to either of the modem connectors (not all modems have two connectors).



4 If you have a network device, connect a network cable to the network connector.



5 Connect the computer and monitor to electrical outlets.



09Y560A03

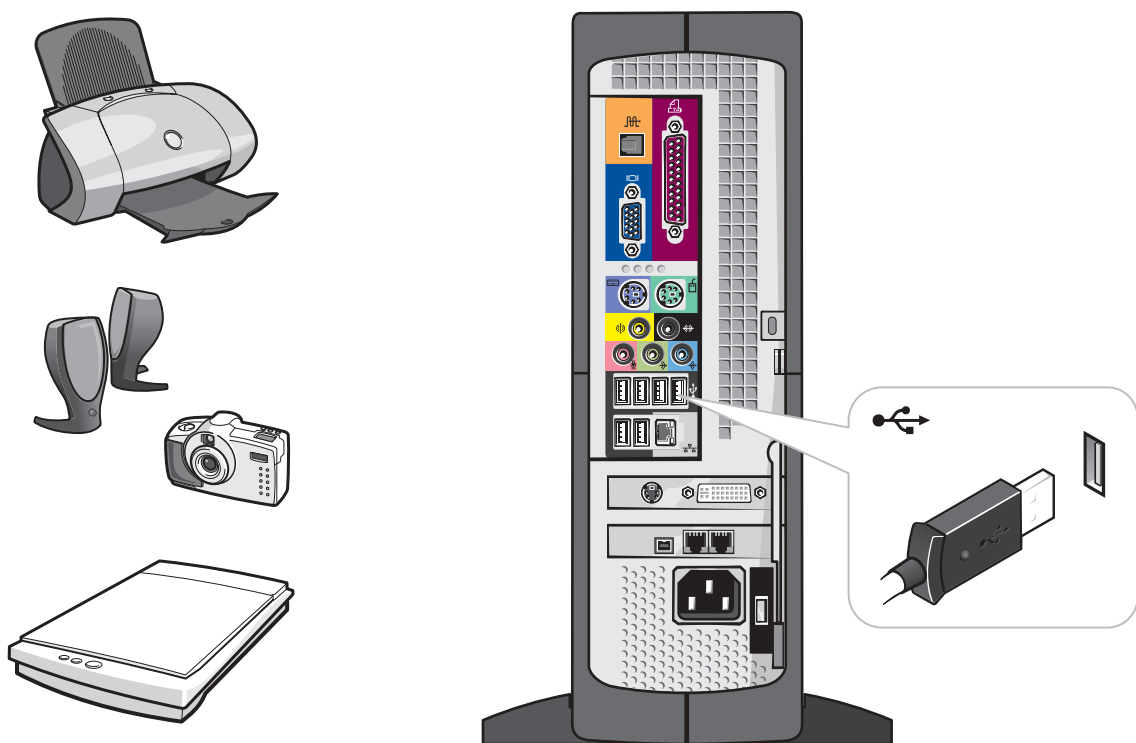




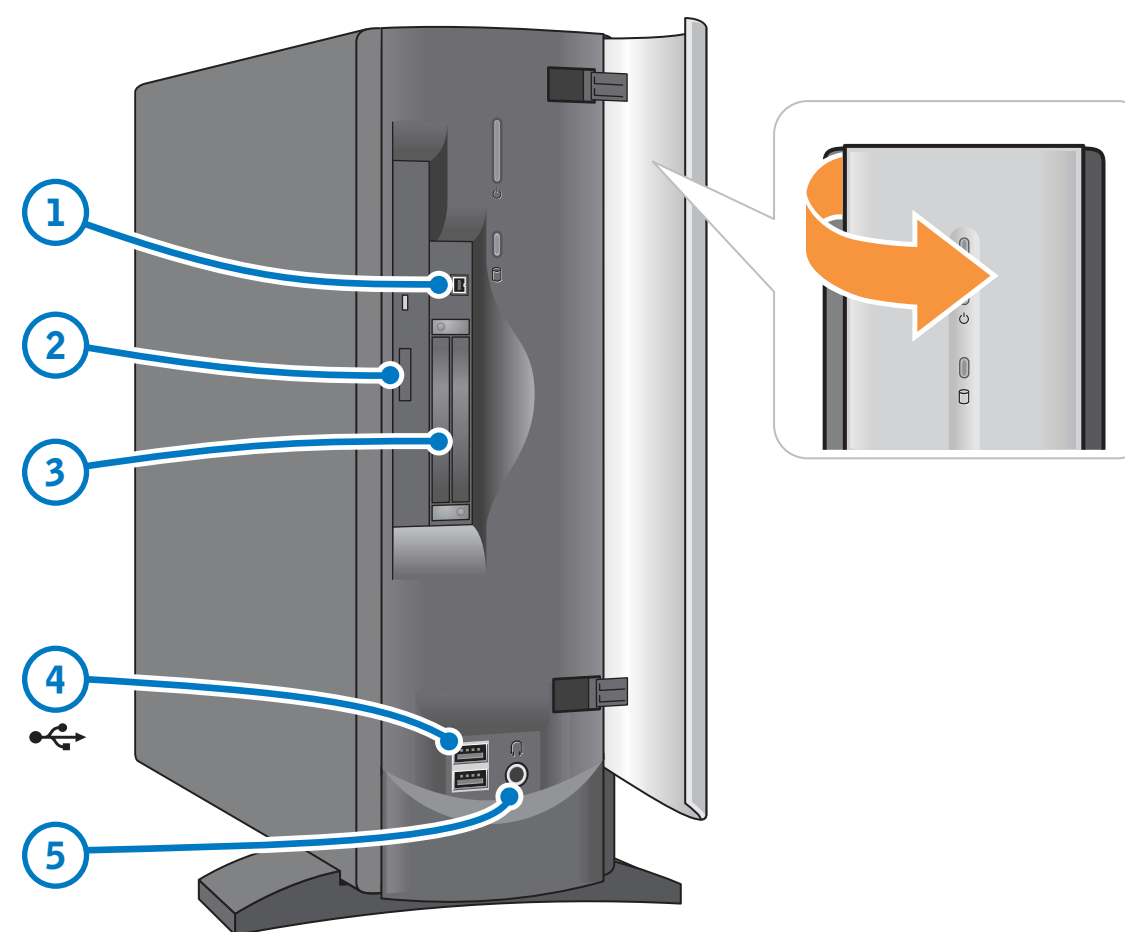
Set Up Other Devices Last



6 Turn on the computer and monitor.



Connect other devices according to their documentation.



Open the door for:

1. IEEE 1394 option

Connect devices such as digital cameras to the IEEE 1394 connector.

2. CD or DVD drive

Play CD or DVD discs in this drive.

3. PC Card option

Connect certain types of PC Cards in this slot.

4. Front USB 2.0 connectors (2)

Connect accessories, such as game controllers and digital cameras, to these USB connectors.

5. Headphone connector

Plug headphones into this connector. Doing so disables sound from your speakers.

Help and Support



See your *Owner's Manual* for additional setup instructions, including how to connect a printer.

To access support and educational tools, double-click the **Dell Solution Center** icon on the Microsoft® Windows® desktop. You can also access Dell through support.dell.com.

For additional information about your computer, click the **Start** button and click **Help and Support**:

- To access the *Tell Me How* help file, click **User and system guides**, click **User's guides**, and then click **Tell Me How**.
- For help with the Windows operating system, click **Microsoft Windows XP Tips**.



Printed in the U.S.A.

Information in this document is subject to change without notice.
© 2003 Dell Inc. All rights reserved.

Reproduction in any manner whatsoever without the written permission of Dell Inc. is strictly forbidden.

Dell and the DELL logo are trademarks of Dell Inc.; Microsoft and Windows are registered trademarks of Microsoft Corporation. Dell disclaims proprietary interest in the marks and names of others.

August 2003

Free Manuals Download Website

<http://myh66.com>

<http://usermanuals.us>

<http://www.somanuals.com>

<http://www.4manuals.cc>

<http://www.manual-lib.com>

<http://www.404manual.com>

<http://www.luxmanual.com>

<http://aubethermostatmanual.com>

Golf course search by state

<http://golfingnear.com>

Email search by domain

<http://emailbydomain.com>

Auto manuals search

<http://auto.somanuals.com>

TV manuals search

<http://tv.somanuals.com>