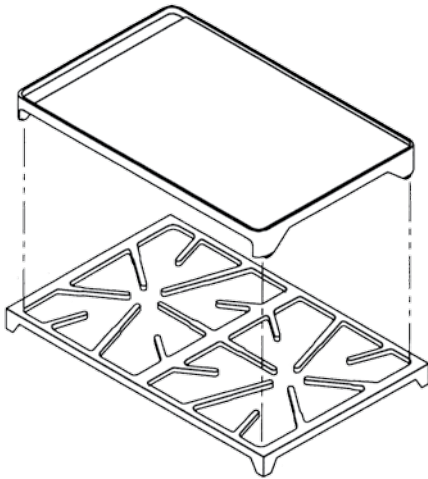


# Installation Instructions/Use & Care

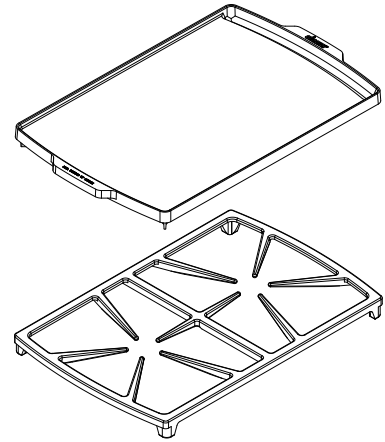
## Accessory Griddle/Grill

### SAVE AND READ THESE INSTRUCTIONS

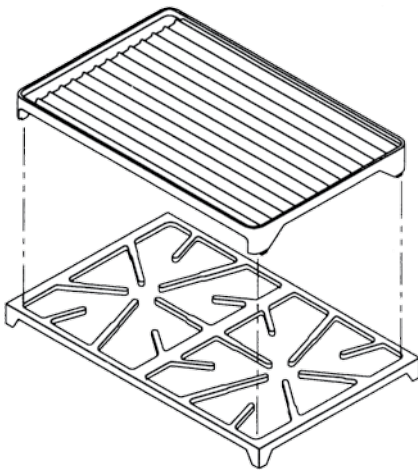
To install your griddle/grill, simply align the stabilizing feet with the inside corners of the grate (see below). When correctly installed, the griddle/grill will rest securely about 1/2" above the top surface of the grate.



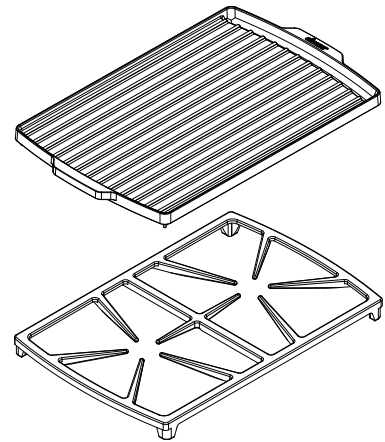
AG14 Griddle



AG11, AG13 Griddle



AEGR Grill



AGR1113 Grill

Before using the griddle/grill for the first time, wash it in hot soapy water, rinse, then dry thoroughly.

After each use, wash thoroughly in hot soapy water to avoid stains from a build-up of grease residue. Remove stubborn spots with a non-abrasive plastic mesh pad. Do not use abrasive cleaners.

The griddle/grill has been coated with a non-stick coating for easy cleaning. Warm water and liquid detergent are all that should be needed for cleaning. Take care in using abrasives and metal utensils on the surface as it will scratch.

Griddles/grills are to be used with a heat setting of medium or lower. Higher settings are not necessary and can damage your cooktop.

## Free Manuals Download Website

<http://myh66.com>

<http://usermanuals.us>

<http://www.somanuals.com>

<http://www.4manuals.cc>

<http://www.manual-lib.com>

<http://www.404manual.com>

<http://www.luxmanual.com>

<http://aubethermostatmanual.com>

Golf course search by state

<http://golfingnear.com>

Email search by domain

<http://emailbydomain.com>

Auto manuals search

<http://auto.somanuals.com>

TV manuals search

<http://tv.somanuals.com>