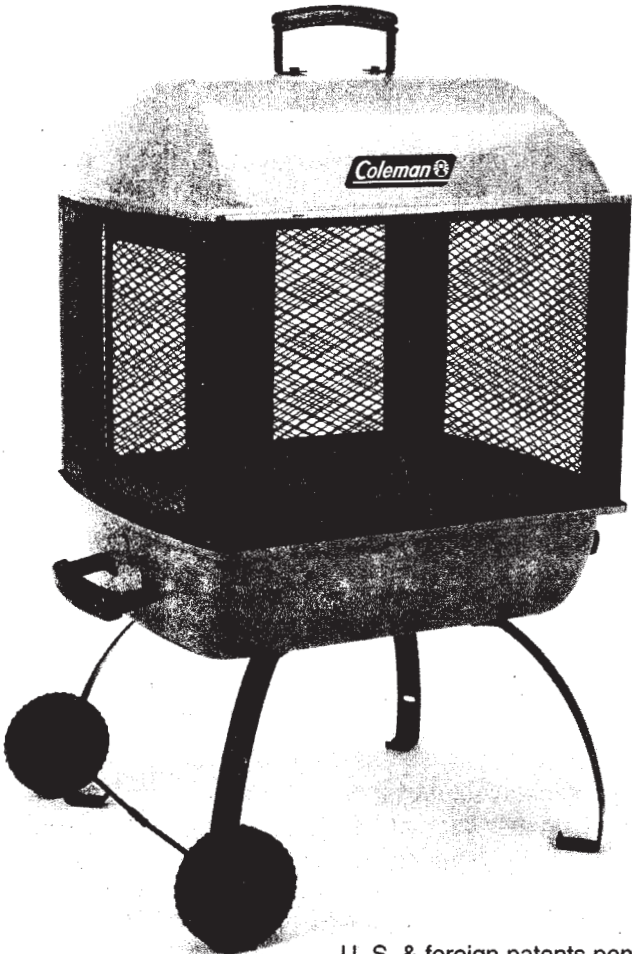




Back Home™

# Assembly and Instruction Manual



U. S. & foreign patents pending

**Patio Fireplace**  
**model 5066**



***FOLLOW INSTRUCTIONS AND WARNINGS TO AVOID FIRE, SERIOUS INJURY OR DEATH.***

**▲ WARNING**

- Outdoor use only. Never use in enclosed area. Use in unventilated areas will endanger your life.
- Keep away from all combustible materials including gasoline and other flammable liquids and vapors.
- Use on a level, noncombustible surface only. Keep away from house, garage, balconies, or eave overhangs.
- Keep out of the reach of children.
- Be sure screen is in place while in use and do not use in windy conditions.
- Do not overfill firebox or use to burn leaves and trash.
- Exercise same care you would with an open fire.
- Never leave unit unattended when hot or in use.
- Completely extinguish fire before leaving.
- Use gloves when handling or moving. Ashes can remain warm for a long time after extinguishing.
- Dispose of cold ashes properly.
- Do not modify in any way nor use with parts not expressly approved by Coleman.

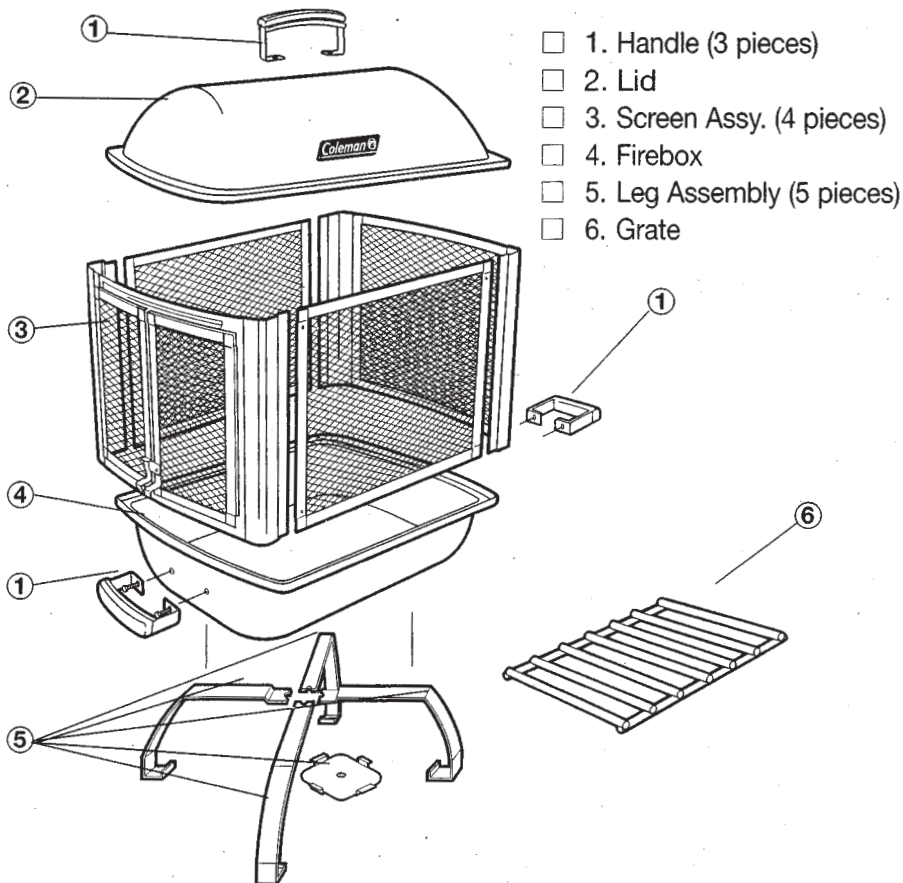
***Contact local authorities regarding possible burn restrictions before using product.***

***When using fire starter, in addition to the above:***

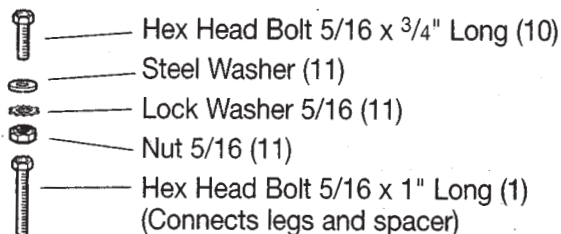
- Always inspect propane cylinder and starter connection for damage, dirt, and debris before attaching cylinder.
- Always attach or detach cylinder outdoors away from flame, pilot lights, other ignition sources and only when fireplace is cool to touch.
- Light fire starter only without lid and screen and with no wood in box.
- Use 16.4 oz. (465g) cylinders only. Do not connect to bulk propane tank.
- Never refill disposable cylinders.

# Fireplace Parts Check List

- Check package for all parts needed for assembly.



## Nuts, Bolts and Washers:



- Check all items for shipping damage and insure that all preassembled nuts and bolts are tight before using. Call Coleman at 1-800-835-3278 or TDD: 316-832-8707 if you have any problems.

# Assembly

1. Carefully unpack all parts from shipping box.
2. Assemble handles to lid and firebox as shown in **Figure 1**, using  $\frac{3}{4}$ " bolts. Be careful not to overtighten bolts against porcelain surfaces which could crack if bolts are too tight.

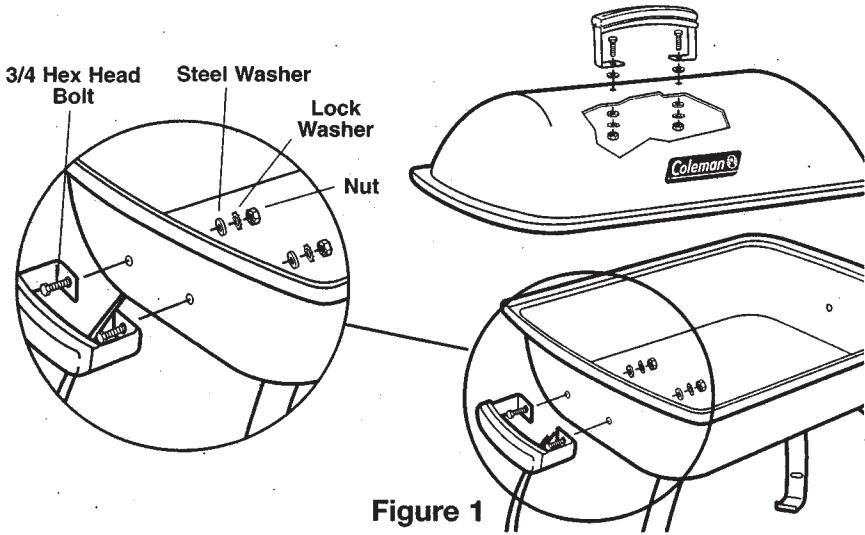


Figure 1

3. Assemble flat legs to firebox with two 3/4" hex head bolts, steel washers, lock washers and nuts in proper sequence shown in **Figure 2**.

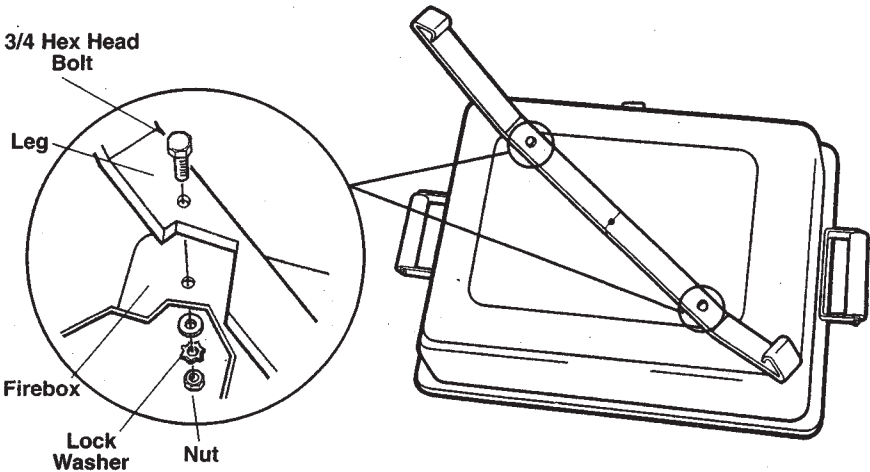


Figure 2

Then assemble legs with center offset to firebox with two  $\frac{3}{4}$ "-long bolts in corners, then 1" - long bolt through center hole and spacer. (Figure 3 & Figure 3-1)

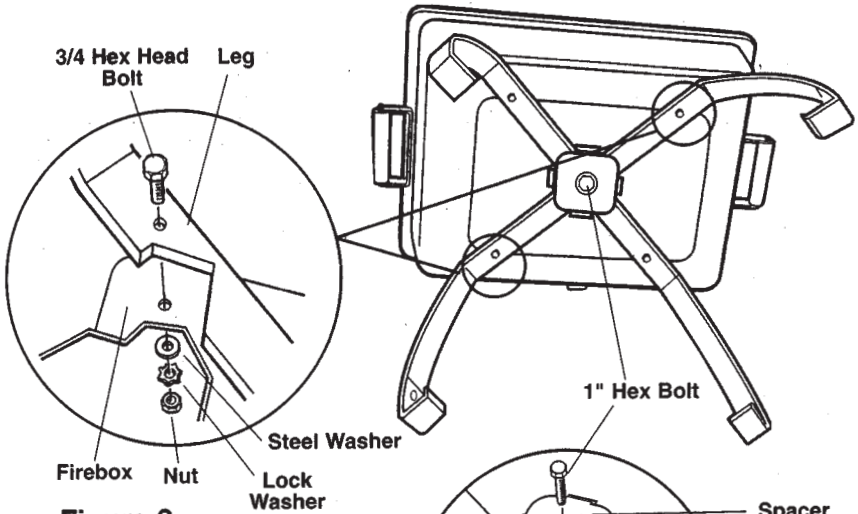


Figure 3

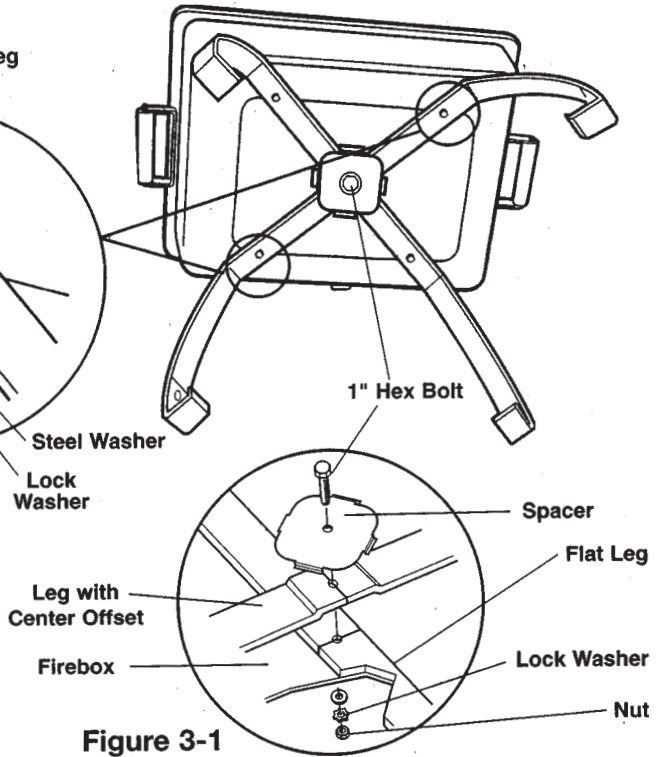


Figure 3-1

4. Rest grate in firebox. (Figure 4).

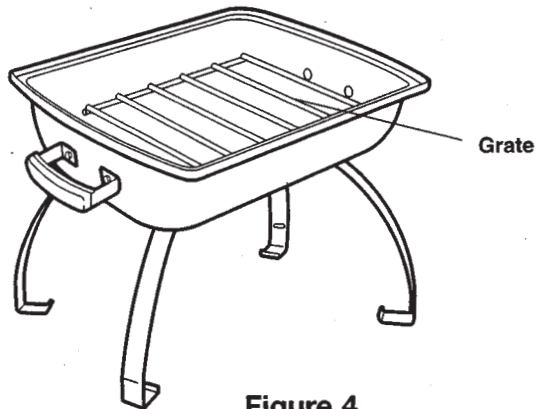
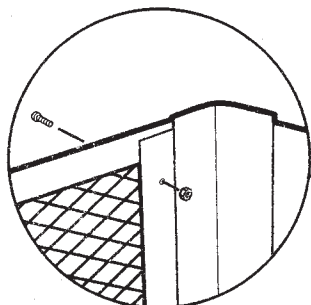


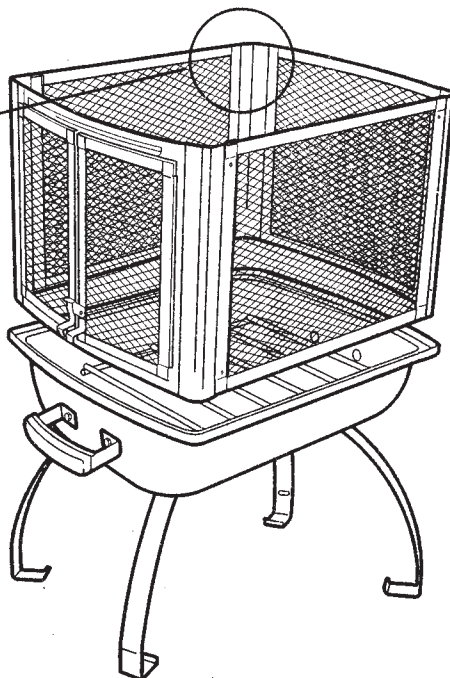
Figure 4

5. Assemble side pieces of screen to end sections of screen using the #6 x 3/8" screws & nuts. **(Figure 5)**



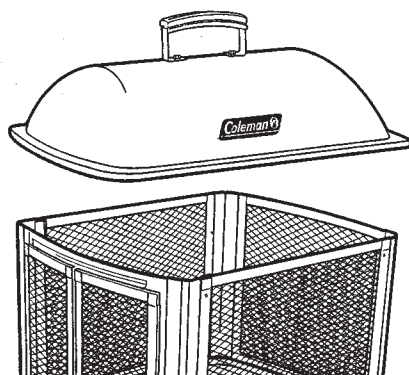
**Figure 5**

Check preassembled screws/nuts for tightness after assembling the 4 sections using 12 screws/nuts provided. Position screen assembly in firebox. **Figure 6**



**Figure 6**

6. Place lid on top of screen. **(Figure 7).**



**Figure 7**

# Set Up and Use

---

## **▲ WARNING**

***Never leave unit unattended when hot or in use. Keep out of reach of children. Outdoor use only. Never use in enclosed area. Use in unventilated areas will endanger your life.***

1. Place unit on a level, noncombustible surface. Keep well away from house, garage, balconies or eave overhangs.
2. Install screen.
3. Place wood in firebox carefully.
4. Ignite wood.
5. Install lid.

Note: If fire starter kit is installed, light burner before adding wood. (See fire starter installation instructions.)

## **▲ WARNING**

***To avoid serious burns, use heavy gloves when opening doors to add wood to existing fire.***

## After Use

---

1. Completely extinguish fire before leaving.

## **▲ WARNING**

***To avoid burns — use heavy gloves to remove screen.***

2. Extinguish fire by removing screen assembly and placing lid over firebox.
3. Do not use water to douse the fire as this may crack the porcelain finish.
4. Dispose of cold ashes properly.
5. Be careful — fire may be out but firebox can still be hot. Handle carefully.

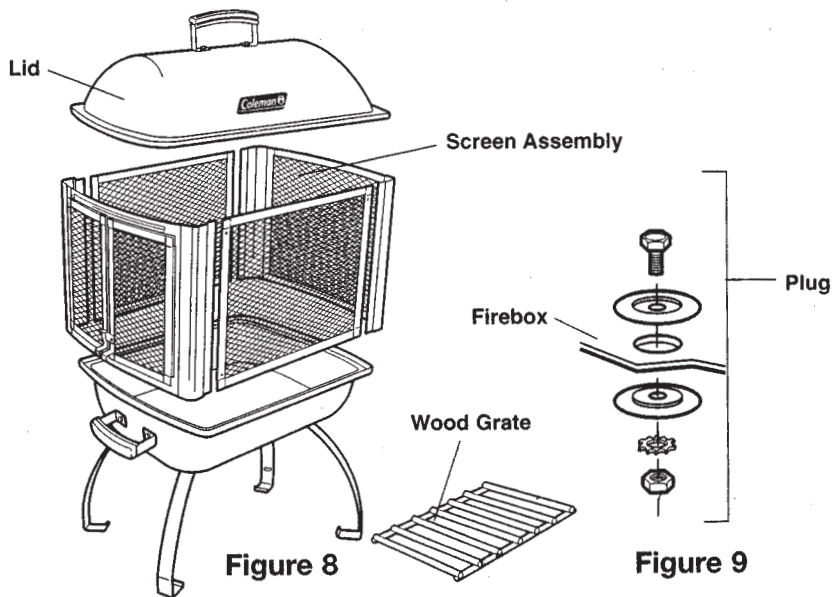
## Storage

---

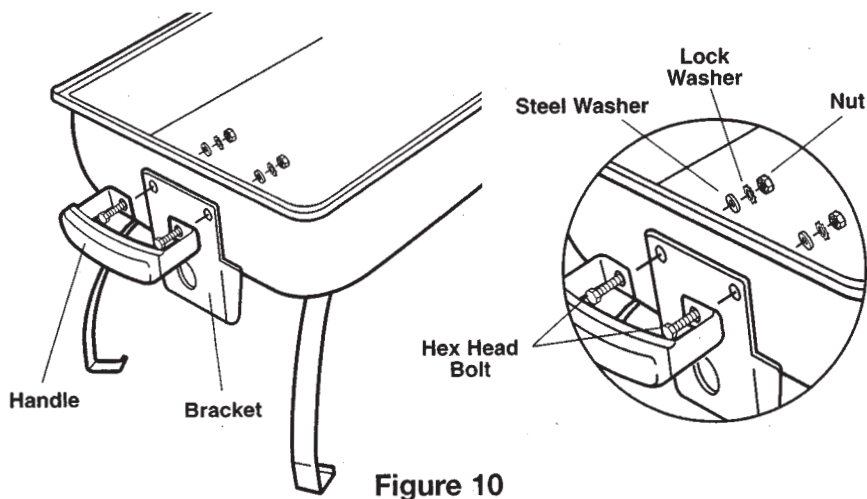
1. Store in covered enclosure or place a cover over entire unit.

# Fire Starter Installation

1. Remove lid, screen assembly and wood grate. **Figure 8**
2. Remove plug from firebox. **Figure 9**
3. Remove handle closest to the hole in the firebox.



4. Assemble handle and bracket by inserting bolts through the holes provided. **Figure 10**
5. Assemble steel washers and nuts. **Figure 10**

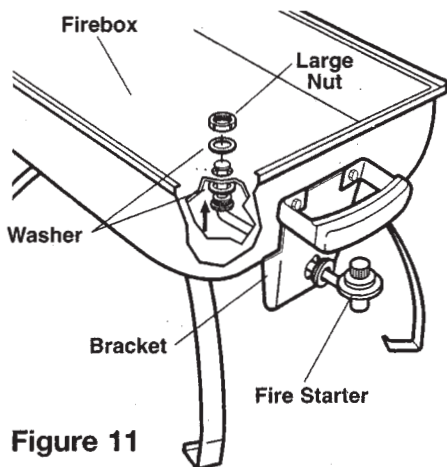


8E

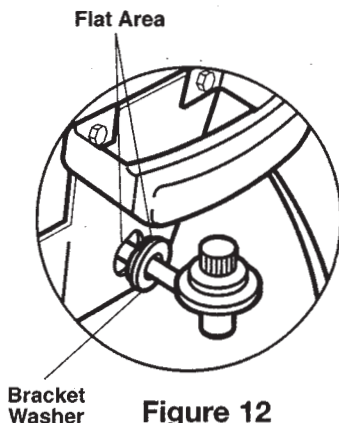


6. Slide fire starter through bracket and attach to bottom of fire box. Hand tighten large nut to secure unit. **Figure 11.**
7. Assemble bracket washer to bracket by turning washer clockwise. **Figure 12.**

Note that the flat area on the bracket and washer need to be aligned for assembly.



**Figure 11**



**Figure 12**

8. Install wood grate.
9. **To light fire starter:**
  - Make sure lid and screen assembly are removed.
  - Make sure valve is turned off.
  - Attach 16.4 oz. propane cylinder to control valve.
  - Hold match next to burner; push and turn control knob counter-clockwise. Adjust knob to required flame level.
  - Install screen assembly into base
  - Add wood as desired.
  - Place lid on top of screen.
10. **To turn off:**
  - Rotate control knob clockwise until knob pops up.

## **⚠ WARNING**

- Always inspect propane cylinder and starter connection for damage, dirt, and debris before attaching cylinder. Clear debris from burner outlet.
- Always attach or detach cylinder outdoors away from flame, pilot lights, other ignition sources and only when fireplace is cool to touch.
- Light fire starter only without lid and screen and with no wood in box.
- Use 16.4 oz. (465g) cylinders only. Do not connect to bulk propane tank.
- Never refill disposable cylinders.

# Wheel Kit Installation

1. Slide axle assemblies through center of wheels. **(Figure 13)**
2. Thread both axles through holes in legs and connect with coupling provided.

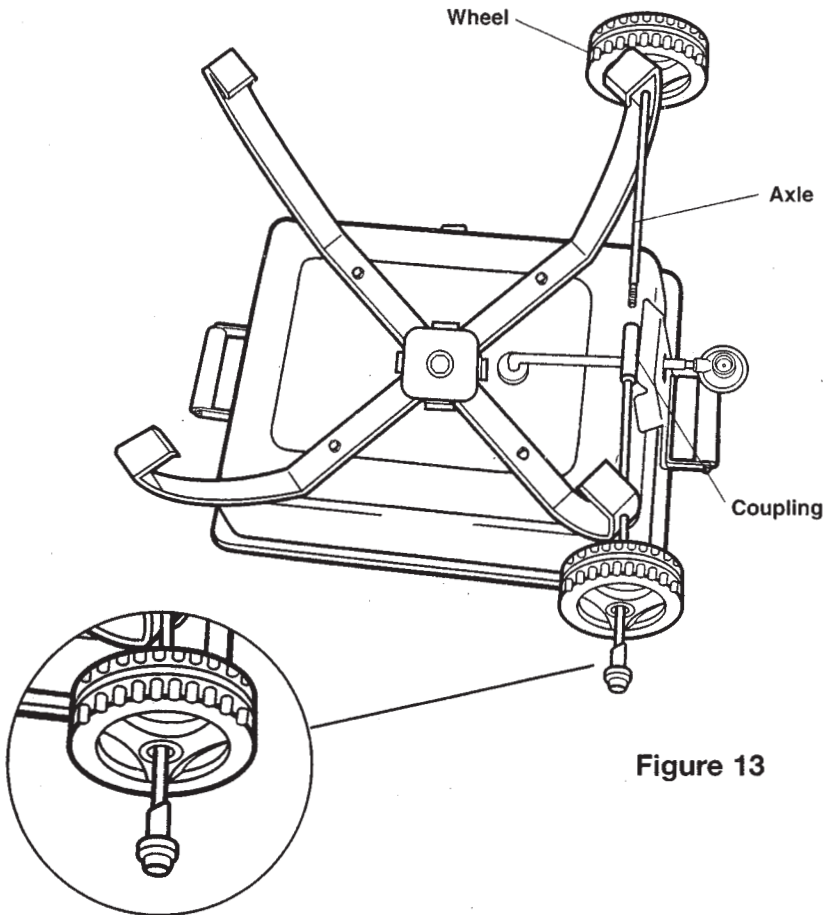
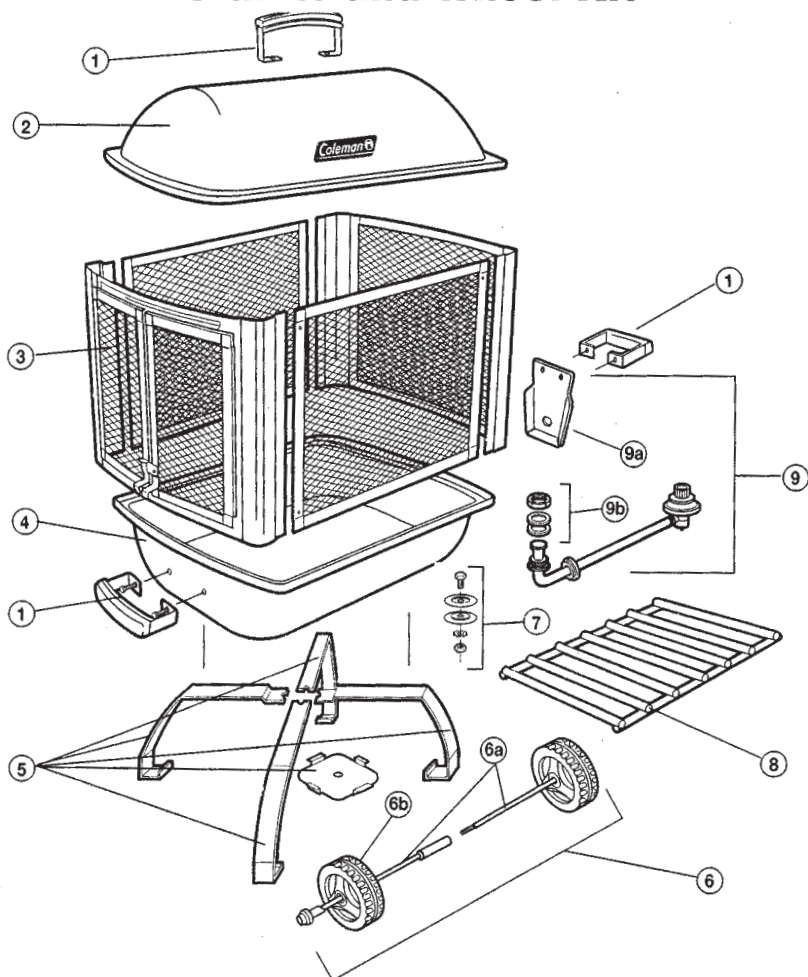


Figure 13

# Replacement Parts for Fireplace, Fire Starter and Wheel Kit



I.D. NO.	PART NO.	DESCRIPTION	I.D. NO.	PART NO.	DESCRIPTION
1	5066-4121	Handle w/bolts & nuts (3)	6a	5066-3401	Axle Assy.
2	5066-2341	Lid	6b	5066-2401	Wheel
3	5066-2421	Screen Assembly	7	5066-3701	Base Plug
4	5066-1011	Firebox	8	5066-3151	Grate
5	5067A1101	Leg Assembly (5)	9	5066-385C	Firestarter
6	5066-380C	Wheel Kit	9a	5066-1151	Bracket
			9b	5066-3901	Nut & Washers

# Coleman Limited 7-Year Warranty

Coleman will repair or replace, at its option, this product or any component found to be defective in materials or workmanship within seven years of the original retail purchase.

This warranty is valid for the original retail purchaser from the date of initial retail purchase and is not transferrable. Keep the original sales receipt. Proof of purchase is required to obtain warranty performance. Coleman dealers, service centers, or retail stores offering Coleman products do not have authority to alter, modify or in any way change the terms or conditions of this warranty.

## WHAT IS NOT COVERED

- Cost of shipment to Coleman
- Normal wear and tear, including chips, scratches, abrasion, discoloration or fading from use or exposure to sunlight
- Damage caused by misuse, abuse, neglect, alterations, repairs by unauthorized persons, use of non-Coleman accessories or parts, or failure to follow recommended care or maintenance instructions
- Products used for commercial purposes or in profit or non-profit instructional or rental operations
- Mantles, generators, light bulbs, batteries or fuel
- CONSEQUENTIAL DAMAGES, INCIDENTAL DAMAGES, OR EXPENSES, INCLUDING DAMAGES TO PROPERTY. SOME STATES/PROVINCES DO NOT ALLOW THE EXCLUSION OR LIMITATION OF INCIDENTAL OR CONSEQUENTIAL DAMAGES, SO THE ABOVE LIMITATION OR EXCLUSION MAY NOT APPLY TO YOU.

## IMPLIED WARRANTIES

Any implied warranties, either statutory or otherwise, including implied warranties of merchantability and fitness for a particular purpose, shall be limited to the duration and terms of the express warranties set forth in this limited warranty. Some states/provinces do not allow limitations on how long an implied warranty lasts, so the above limitation may not apply to you.

## HOW TO OBTAIN WARRANTY PERFORMANCE

Take the product to an authorized Coleman Service Center. If one is not conveniently located, attach a tag to the product which includes your name, address, telephone number and description of the problem. Include a copy of the original sales receipt. Carefully package the product and send prepaid either by U.P.S. or Parcel Post, insured to: USA: The Coleman Company Inc., 3600 N. Hydraulic, Wichita, KS 67219, or CANADA: The Canadian Coleman Co., Ltd., 5975 Falbourne Street, Mississauga, Canada L5R 3V8. Please do not mail products with fuel in tanks, or with disposable propane cylinders. Remove glass globes from lanterns.

If you are located outside the United States or Canada, return this product to the place you purchased it, or to any other retailer seller of similar Coleman products, and request warranty assistance. If you are unable to obtain warranty assistance, then you may call any of the following Coleman offices for further assistance:

[www.coleman.com](http://www.coleman.com)

The Canadian Coleman Co., Ltd.  
5975 Falbourne Street,  
Mississauga, Canada L5R 3V8  
1 800 387-6161

The Coleman Co., Inc.  
3600 N. Hydraulic  
Wichita, KS 67219 U.S.A.  
1-800-835-3278  
TDD: 316-832-8707



## Free Manuals Download Website

<http://myh66.com>

<http://usermanuals.us>

<http://www.somanuals.com>

<http://www.4manuals.cc>

<http://www.manual-lib.com>

<http://www.404manual.com>

<http://www.luxmanual.com>

<http://aubethermostatmanual.com>

Golf course search by state

<http://golfingnear.com>

Email search by domain

<http://emailbydomain.com>

Auto manuals search

<http://auto.somanuals.com>

TV manuals search

<http://tv.somanuals.com>