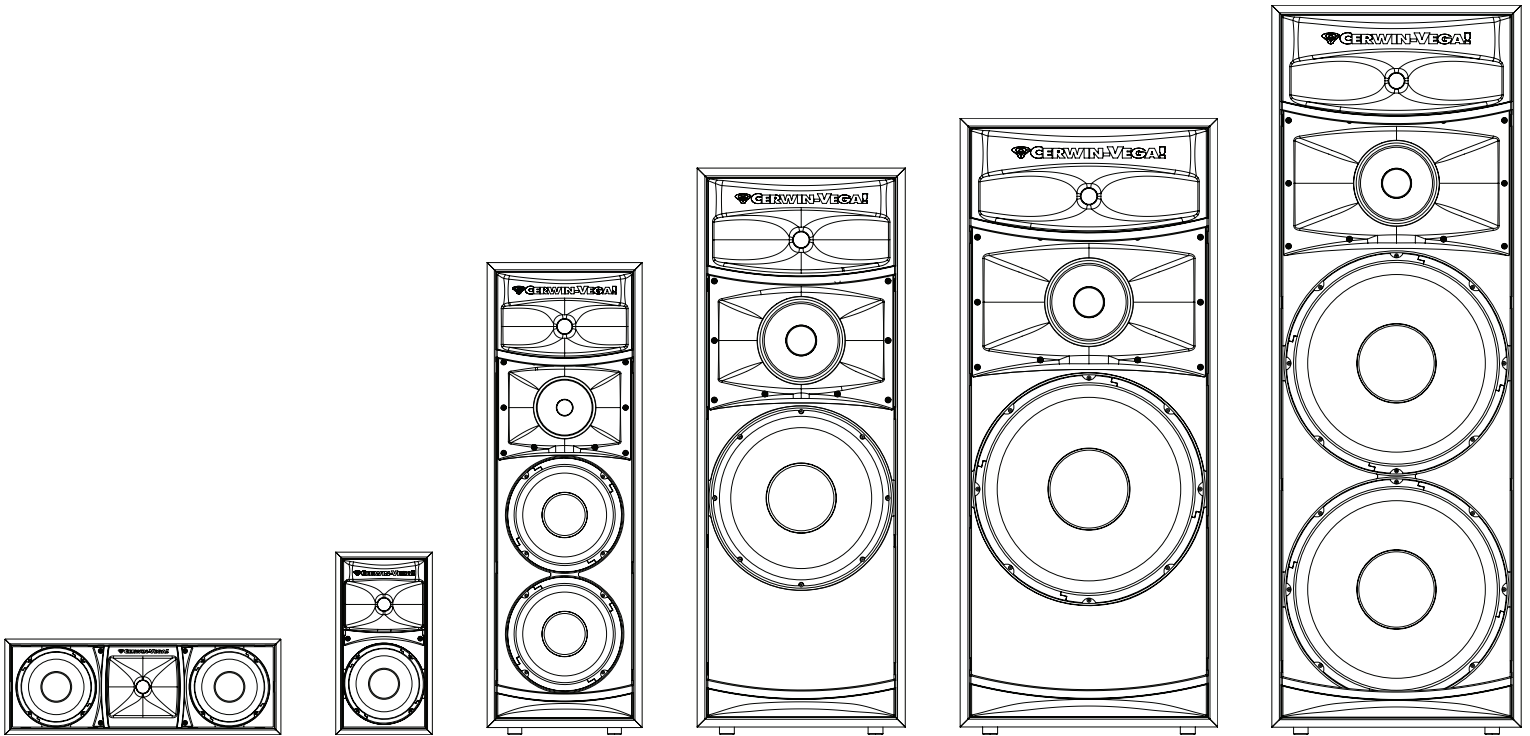


# CERWIN-VEGA!®

## XLS SERIES LOUD SPEAKERS



## User Manual

# CERWIN-VEGA'S LIMITED WARRANTY

days after they were completed.

## WELCOME TO THE FAMILY!

First off, you have great taste in loudspeakers. At Cerwin-Vega!, deep bass and great highs are a way of life. Nice to know there are a few people out there who share our passion for music. You'll be glad to know that this company has been in business since 1953. And we consider you to be the newest member of the family.

We hope your speakers give you years of enjoyment. Of course, in the event of a problem, make sure you familiarize yourself with this warranty. We like to think that while you're sitting in front of your speakers, we're standing behind them. And now a few choice words from our lawyer. (Hey, every family has one).

## WHO'S COVERED BY THIS WARRANTY?

Cerwin-Vega's Limited Warranty on residential speakers extends only to the original purchaser as evidenced by the original Bill of Sale and only to the residential speakers purchased from authorized Cerwin-Vega! dealers.

Ten words of advice: *Retain the original bill of sale, in a safe place!*

## WHAT'S COVERED BY THIS WARRANTY?

Cerwin-Vega! warrants that all new residential speakers shall be free from defects in material and workmanship, under normal and proper use. Cerwin-Vega! agrees to repair or replace (at our option) all such defective parts at no charge for labor or materials.

## WHAT'S NOT COVERED BY THIS WARRANTY?

This Limited Warranty does not apply to defective equipment that: has been altered or repaired by other than factory approved procedures; has been subjected to negligence, misuse or accident; has been damaged by improper line voltage; had its serial number or any part of it altered, defaced, or removed; has been used for other than home entertainment purposes; or has been used in a way that is contrary to Cerwin-Vega's written instructions.

Except as provided by statute, this Limited Warranty does not cover losses, consequential or otherwise, resulting from the improper use of, or inability to operate, any Cerwin-Vega! product.

## HOW LONG DOES THE WARRANTY EXTEND?

Cerwin-Vega's Limited Warranty extends for a period of five (5) years for all system speaker components, from date of purchase as shown on the original Bill of Sale. If a defect exists within the warranty period, the warranty will not expire until the defect has been fixed.

The warranty period will also be extended if the warranty repairs have not been performed due to delays caused by circumstances beyond the control of the original purchaser, or if the warranty repairs did not remedy the defect and the original purchaser notifies Cerwin-Vega! or the original dealer or an Authorized Cerwin-Vega! Service Center of the failure of the repairs within 30

## INTRODUCTION

*This manual covers operation information for all Loudspeakers in Cerwin-Vega's XLS series. Illustrations of control locations and hook-up wiring may differ in physical appearance and location than those shown on the actual product you own. However, the operation information is still the same.*

## PRIOR TO INSTALLATION

Unpack your subwoofer, saving the box and packing materials in case you ever need to transport, ship, or move your subwoofer. Read carefully the Important Symbols and Safety Instructions page.

## HOW DO YOU GET WARRANTY SERVICE?

In order to obtain warranty service, contact your original dealer or distributor, or an Authorized Cerwin-Vega! Service Center. If, for some reason, you have trouble locating a service representative, contact Cerwin-Vega's Customer Service Department for assistance:

Cerwin-Vega! Customer Service Dept.  
772 S. Military Trail  
Deerfield Beach, FL 33442

In some cases, the Customer Service Department can solve a service problem without any return of equipment, thereby avoiding transit delays. For more information visit [http://www.cerwin-vega.com/service\\_support.php](http://www.cerwin-vega.com/service_support.php)

## WHAT IF THE PRODUCT MUST BE RETURNED?

If the Customer Service Department determines that the equipment must be returned to Cerwin-Vega! for service, a Return Authorization will be issued by mail, and the defective merchandise may be shipped directly to the above address freight prepaid, along with a copy of both the Return Authorization and the original Bill of Sale.

The product will be replaced or repaired (at our option) and returned to the original purchaser. Only the return postage will be paid by Cerwin-Vega! Cerwin-Vega! will not be responsible for damage occurring in shipment from the original purchaser or due to improper packing materials. Remember to pack all equipment carefully and in the original carton if possible. Additional charges may be added if new packing materials are required for return shipment. *Save your original packing materials!*

## WHAT ARE OTHER REMEDIES UNDER THE LAW?

The exercise of any of the provisions under the Limited Warranty does not affect the protections or remedies of the original purchaser under other laws. If you have additional questions about service, write or call the Customer Service Department. This Limited Warranty applies to all residential speakers, and supersedes all previous warranty statements. Cerwin-Vega! reserves the right to make changes in product design and specifications at any time.

EXCEPT AS PROVIDED HEREIN AND BY APPLICABLE LAW, CERWIN-VEGA! MAKES NO ADDITIONAL REPRESENTATION OR WARRANTY OF ANY NATURE WHATSOEVER, EXPRESSED OR IMPLIED, AS TO THE EQUIPMENT, INCLUDING BUT NOT LIMITED TO, THE MERCHANTABILITY, FITNESS FOR A PARTICULAR PURPOSE, DESIGN CONDITION OR WORKMANSHIP OF THE EQUIPMENT, OR THE QUALITY OF THE MATERIAL INCLUDED THEREIN, THIS LIMITED WARRANTY CONSTITUTES THE SOLE AND ENTIRE AGREEMENT BETWEEN CERWIN-VEGA! AND THE ORIGINAL PURCHASER.

Before continuing with installation, please make sure the subwoofer is unplugged and the power switch is turned OFF.

## INSTALLATION

Please read the remaining pages to determine which installation procedure is best for your audio video system. For additional hook-up connections, you may want to refer to your A/V receiver, processor, or amplifier's manual.

# IMPORTANT SYMBOLS AND SAFETY INSTRUCTIONS

## EXPLANATION OF GRAPHIC SYMBOLS



The exclamation point within an equilateral triangle is intended to alert the users to the presence of important operating and maintenance (servicing) instructions in the literature accompanying the product.



The lightning flash with the arrowhead symbol, within an equilateral triangle, is to alert the user to the presence of insulated "dangerous voltage" within the products enclosure that may be of sufficient magnitude to constitute a risk of electric shock to humans.

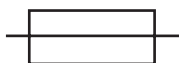


CAUTION: TO REDUCE THE RISK OF ELECTRONIC SHOCK - DO NOT REMOVE COVER.

NO USER SERVICEABLE PARTS INSIDE. REFER SERVICING TO QUALIFIED PERSONNEL.



ATTENTION: POUR EVITER LES RISQUES DE CHOC ELECTRIQUE, NE PAS ENLEVER LE COUVERCLE AUCUN ENTRETIEN DE PIECES INTERIEURES PAR L'USAGER CONFIER L'ENTRETIEN AU PERSONNEL QUALIFIE. AVIS: POUR EVITER LES RISQUES D'INCENDIE OU D'ELECTROCUTION, N'EXPOSEZ PAS CET ARTICLE A LA PLUIE OU A L'HUMIDITE.



The IEC fuse symbol pictured at the left represents an approved user replaceable fuse. When replacing a fuse, make sure to replace with only the correct type and rating. (Only for XLS 28, XLS-12, XLS-15, and XLS-215.

## IMPORTANT SAFETY INSTRUCTIONS

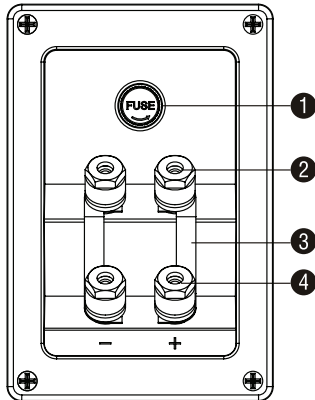
1. Read and keep these instructions.
2. Heed all warnings and follow instructions
3. Do not use this apparatus near water.
4. Clean only with a dry cloth.
5. Do not block any ventilation openings.
6. Do not install near any heat sources such as radiators, heat registers, stoves, or other apparatus that produce heat.
7. Only use attachments / accessories specified by the manufacturer.
8. Use only with a cart, stand, bracket, or table specified by the manufacturer or sold with the apparatus. When a cart is used, use caution when moving the cart /apparatus combination to avoid injury from tip-over.



9. Refer all servicing to qualified service personnel. Servicing is required when a apparatus has been damaged in any way, such as power-cord or plug is damaged, liquid has been spilled, or objects have fallen into the apparatus, the apparatus has been exposed to rain or moisture, does not operate normally, or has been dropped.
10. To reduce the risk of fire or electric shock, do not expose this apparatus to rain or moisture.

# CONNECTIONS

XLS-28, XLS-12, XLS-15, and XLS-215



- 1) Fuse Holder
- 2) Midrange and Tweeter Input 5-Way Binding Posts (Red=+, Black + -)
- 3) Jumper Straps
- 4) Woofer Input 5 Way-Binding Posts (Red=+, Black + -)

**NORMAL WIRING:** In this method, one pair of speaker wire is used with one speaker and one amplifier channel. This method is used in the majority of applications.

**Connection:** Attach speaker wires to either the Midrange and Tweeter Input (2) or the Woofer Input (4) 5-way Binding Posts making sure to leave the Jumper Straps (3) in place. Connect the other end of the speaker wires to your Receiver or Amplifiers speaker output terminals (see your Receiver or Amplifiers owners manuals for details on this connection). Make sure to observe correct polarity (Red = +, Black = -) when making these connections.

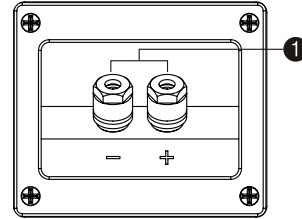
**BI-WIRING:** In this method, two pairs of speaker wire are used with one speaker and one amplifier channel.

**Connection:** Remove the Jumper Straps (3) and retain for possible future use. Attach one set of speaker wires to the Midrange and Tweeter Input (2) 5-way Binding Posts. Next connect a second set of speaker wires to the Woofer Input (4) 5-way Binding Posts. Connect the other ends of the speaker wires to your Receiver or Amplifiers speaker output terminals (see your Receiver or Amplifiers owners manual for details on this connection). Make sure to observe correct polarity (Red = +, Black = -) when making these connections.

**Important:** The XLS-6 and XLS-6C cannot be bi-wired.

**WIRING NOTE:** We recommend that you discuss Normal, Bi-Wiring, or Bi-Amplifying options with your Authorized Cerwin-Vega! Dealer and for recommendation on appropriate wire.

XLS-6 and XLS-6C



- 1) Full range Binding Post

**WIRING:** One pair of speaker wire is used with one speaker and one amplifier channel.

**IMPEDANCE:**

All CV XLS home speakers are compatible with amplifier ratings from 4 to 8 ohms. If your amplifier is rated at 4 or 6 ohms, you can generally play the speaker as loud and as hard as you want and the energy transfer between the amplifier and your Cerwin-Vega! speaker will be optimal. If using an 8-ohm amplifier, you can play loud, but monitor your amplifier's temperature if you start playing at extreme volume levels, as the speaker may want to suck more power from your amp than it can provide.

**FUSE:** Replace only with the correct type and voltage fuse. Failure to replace with the correct type and value can result in driver failure that is not covered under your warranty.

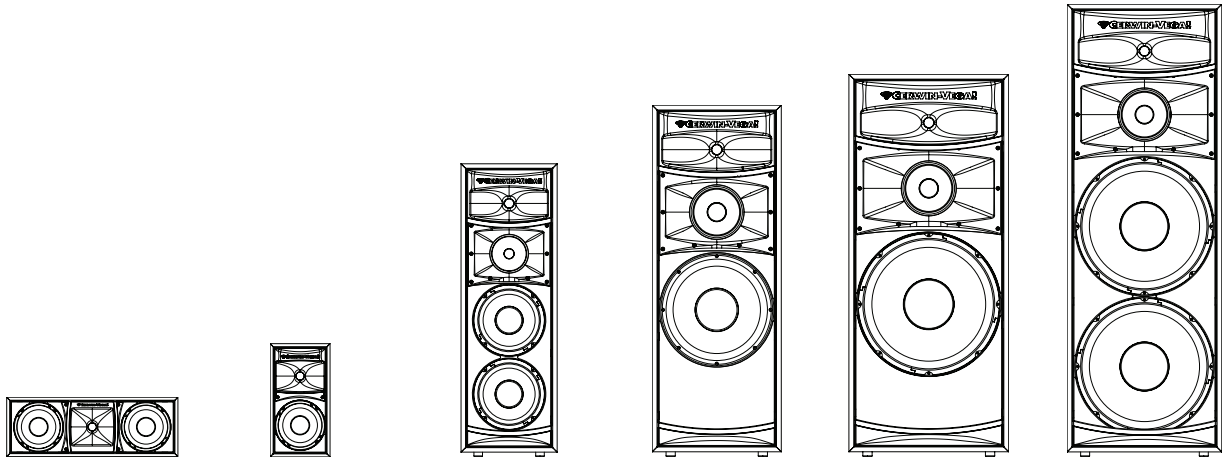
Model:	Fuse Type:
XLS-28	3A 250V Slow Blow 6.3 mm x 32 mm
XLS-12	4A 250V Slow Blow 6.3 mm x 32 mm
XLS-15	4A 250V Slow Blow 6.3 mm x 32 mm
XLS-215	5A 250V Slow Blow 6.3 mm x 32 mm

## TROUBLESHOOTING

---

<b>SYMPTOMS</b>	<b>CAUSES</b>	<b>SOLUTIONS</b>
Bass sounds distorted	Amplifier is at maximum output Receiver tone controls are set too high	Lower volume or receiver level control Set bass flat; use tone controls sparingly
Distortion with volume control near minimum	Defective receiver or preamplifier, or shorted speaker wires	Repair defective receiver, preamplifier or replace speaker wires
Distortion on music peaks or sound effects	Dynamic soundtrack (e.g., explosions)	Turn down volume control to lower overall range
Buzz, hum, or crackle when connecting wires	Connecting wires with power on causes transient signal spikes	Connect wires only when system power is Off
Buzz or hum when system is On	Grounding problem or ground loop	Check receiver or preamplifier manual for help in eliminating a ground loop
No sound after listening at high levels	Amplifier's thermal protection has been temporarily activated	Lower amplifier volume and allow amplifier to cool down; sound should resume automatically

# SPECIFICATIONS



	XLS-6C	XLS-6	XLS-28	XLS-12	XLS-15	XLS-215
<b>Description</b>	Dual 6.5" 2-way	6.5" 2-way	Dual 8" 3-way	12" 3-way	15" 3-way	Dual 15" 3-way
<b>Frequency Response</b>	64 Hz - 20 kHz (-3 dB) 44 Hz - 20 kHz (-10 dB)	50 Hz - 20 kHz (-3 dB) 39 Hz - 20 kHz (-10 dB)	45 Hz - 20 kHz (-3 dB) 38 Hz - 20 kHz (-10 dB)	43 Hz - 20 kHz (-3 dB) 37 Hz - 20 kHz (-10 dB)	38 Hz - 20 kHz (-3 dB) 36 Hz - 20 kHz (-10 dB)	38 Hz - 20 kHz (-3 dB) 36 Hz - 20 kHz (-10 dB)
<b>Power Handling (Peak)</b>	125 watts	125 watts	200 watts	300 watts	400 watts	500 watts
<b>Sensitivity in SPL @ 8 ohms @ 1 meter full</b>	89.3 dB	85 dB	89.8 dB	90.8 dB	92.3 dB	95.3 dB
<b>Impedance</b>	6 ohms*	6 ohms*	6 ohms*	6 ohms*	6 ohms*	6 ohms*
<b>Crossover Frequencies</b>	2 kHz	2 kHz	380 Hz / 2.4 kHz	380 Hz / 2.4 kHz	280 Hz / 2.4 kHz	280 Hz / 2.4 kHz
<b>Protection</b>	Yes (High freq. Only)	Yes (High freq. Only)	Yes Fuse (system)	Yes Fuse (system)	Yes Fuse (system)	Yes Fuse (system)
<b>Video Shielding</b>	Yes	Yes	No	No	No	No
<b>Dimensions (HxWxD)</b>	8.1" x 22.9" x 10.3" 205 mm x 580 mm x 260 mm	15.2" x 7.9" x 11.5" 385 mm x 200 mm x 290 mm	33.7" x 11.1" x 12.2" 855 mm x 280 mm x 310 mm	37.6" x 13.8" x 13" 955 mm x 350 mm x 330 mm	40.6" x 17" x 18.5" 1030 mm x 430 mm x 470 mm	49.7" x 17" x 21.1" 1260 mm x 430 mm x 535 mm
<b>Net Weight (lbs)</b>	23 lb / 10.4 kg	16 lb / 7.2 kg	43 lb / 19.5 kg	56 lb / 25.4 kg	85 lb / 38.5 kg	116 lb / 52.6 kg

\* 8 ohm compatible.

Carwin-Vegal is constantly striving to maintain the highest consumer standards. As a result of these efforts, modifications may be made from time to time to existing products without prior notice. Specifications and appearance may differ from those listed or shown in this manual.





772 S. Military Trail • Deerfield Beach, FL 33442  
[www.cerwin-vega.com](http://www.cerwin-vega.com)

LITH00012 7/29/2009



## Free Manuals Download Website

<http://myh66.com>

<http://usermanuals.us>

<http://www.somanuals.com>

<http://www.4manuals.cc>

<http://www.manual-lib.com>

<http://www.404manual.com>

<http://www.luxmanual.com>

<http://aubethermostatmanual.com>

Golf course search by state

<http://golfingnear.com>

Email search by domain

<http://emailbydomain.com>

Auto manuals search

<http://auto.somanuals.com>

TV manuals search

<http://tv.somanuals.com>