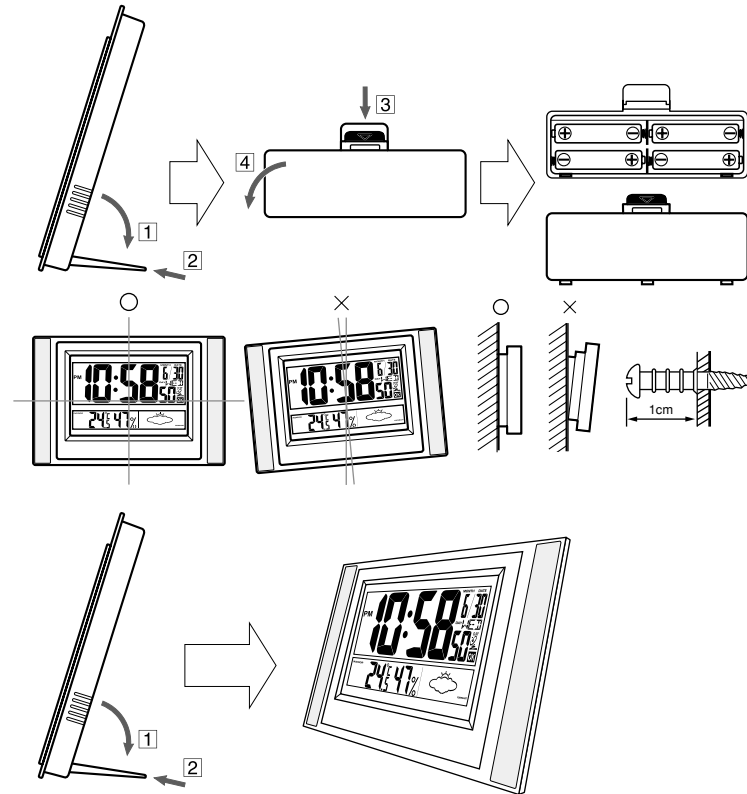
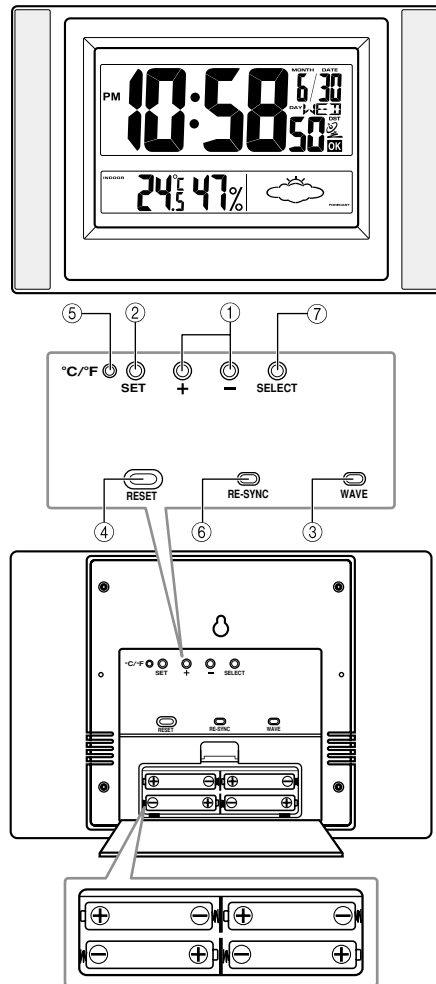


Operation Guide IDR-200

ILLUSTRATION

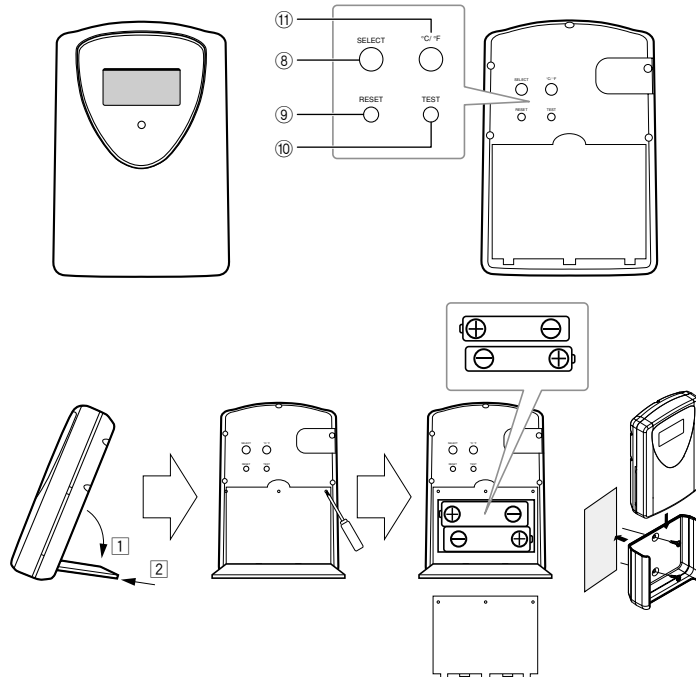
Main unit



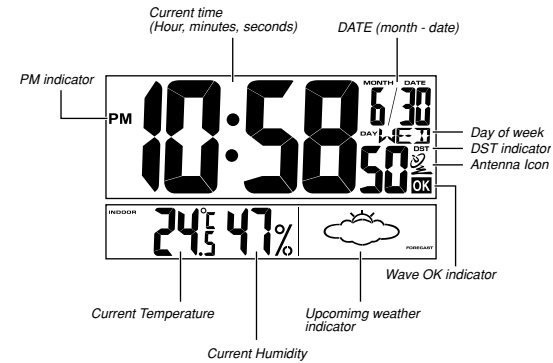
Operation Guide IDR-200

CASIO®

Sub-unit



- A sticker is affixed to the glass of this clock when you purchase it. Be sure to remove the sticker before using the clock.
- Depending on the clock model, the configuration of your clock may differ somewhat from that shown in the illustration.



- In locations subject to radio frequency interference, the product may malfunction and require you to reset the product.

GENERAL GUIDE

Main unit

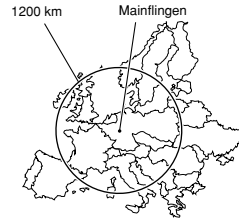
- ① Time Setting buttons**
Use these buttons to set the current time.
- ② SET button**
Use this button to cycle through setting screens.
- ③ WAVE button**
Press this button to trigger a time calibration signal receive operation.
- ④ RESET button**
Press this button to reset the clock after replacing its batteries.
- ⑤ °C/°F button**
Press this button to toggle the temperature unit between Celsius and Fahrenheit.
- ⑥ RE-SYNC button**
Press this button to re-synchronize the timing of the main unit and the sub-unit.
- ⑦ SELECT button**
Press this button to toggle the display between main unit (INDOOR) and sub-unit (OUTDOOR) data.

Sub-unit

- ⑧ SELECT button**
Press this button to toggle the display between the current temperature and humidity.
- ⑨ RESET button**
Press this button to reset the sub-unit after replacing its batteries.
- ⑩ TEST button**
This button is for testing the unit. Normally, you should not press it. If you do, be sure to press the RESET button (⑨) next.
- ⑪ °C/°F button**
Press this button to toggle the temperature unit between Celsius and Fahrenheit.

TIME CALIBRATION SIGNAL RECEPTION PRECAUTIONS

- This clock is able to receive the time calibration signal transmitted from Mainflingen, Germany (located 25kilometers southeast of Frankfurt). Signal reception is possible within approximately 1,200 km of the transmitter.
- Even when the clock is within the reception range, signal reception may be impossible if the signal is blocked by mountains or other geological formations between the clock and signal source.
- Signal reception is affected by weather, atmospheric conditions, and seasonal changes.
- The time calibration signal bounces off the ionosphere. Because of this, such factors as changes in the reflectivity of the ionosphere, as well as movement of the ionosphere to higher altitudes due to seasonal atmospheric changes or the time of day may change the reception range of the signal and make reception temporarily impossible.
- Reception is best when the back of the clock is facing toward Mainflingen. Note, however, that moving the clock while the time calibration signal receive operation is taking place will make stable reception impossible.
- Think of the clock as acting like a TV or radio when it is receiving the calibration signal. When receiving indoors, move to a location as near as possible to a window. Proper signal reception can be difficult or even impossible under the conditions listed below.



- Inside or among buildings, or near neon signs
- Inside a vehicle
- Near refrigerators or other household appliances, near office equipment, mobile phones or wireless LAN devices
- Near a construction site, airport, or other sources of electrical noise, underground or in tunnels, near railroads, highways, or radio stations with interfering frequencies
- Near high-tension power lines
- Among or behind mountains

- Signal reception is normally better at night than during the day.
- Radio interference can make signal reception impossible.
- Strong electrostatic charge can result in the wrong time being set.

USING THE CLOCK

Any of the following procedures can be used to set current date and time.

- Auto receive of the time calibration signal
- Manual receive of the time calibration signal
- Manual setting without using the time calibration signal

Auto Receive

- The clock receives the time calibration signal eight times each day (2:00, 5:00, 8:00, 11:00, 14:00, 17:00, 20:00, 23:00).
- A signal receive operation takes from two to ten minutes under good signal conditions.

Antenna Icon

If you see this:	It means this
Icon is flashing.	Signal reception is in progress.
Icon is not displayed.	The last receive operation failed.
Icon is displayed (not flashing).	The last receive operation was successful.

Wave OK Indicator

If you see this:	It means this
OK is not displayed.	All receive operations over the past 24 hours failed, or signal reception is in progress.
OK is displayed.	At least one of the receive operations over the past 24 hours was successful.

Unsuccessful Signal Reception

The antenna icon disappears from the display when a signal receive operation is unsuccessful. If this happens, try changing the position or orientation of the clock, and press the **WAVE** button (Ⓜ) to receive again.

Manual Receive

- Press the **WAVE** button (Ⓜ) to trigger a calibration signal receive operation.
- Use the **WAVE** button (Ⓜ) to trigger a receive operation after replacing the clock's batteries or if the auto receive operation was not performed correctly for some reason.

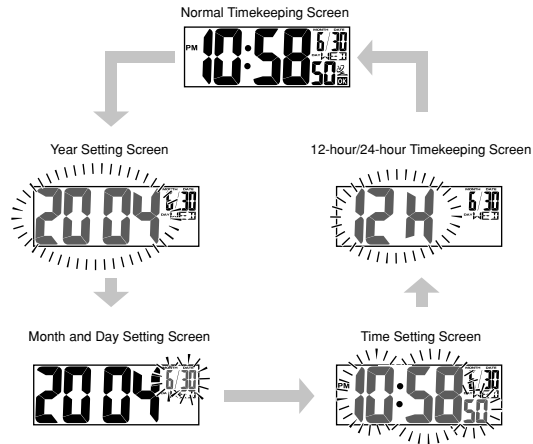
Important!

- Do not perform any button or switch operation while a signal receive operation is in progress.
- The time calibration signal includes both Standard Time and Daylight Saving Time (summer time) data.
- The DST indicator appears on the display when Daylight Saving Time (summer time) data is received.

Setting the Time and Date Manually

- When using the clock in an area that is outside of the range of the transmitter in Mainflingen or in an area where signal reception is impossible for some reason, you need to manually adjust the time as required.

1. Press the **SET** button (2) to cycle through the setting screens as shown below.



2. While the screen you want is on the display, use the **Time Setting** buttons (1) to change the digits that are flashing.



- Holding down + or - changes the flashing digits at high speed.
 - You can set the year in the range of 2000 to 2039. The day of the week is set automatically in accordance with the date setting.
 - Pressing + or - while the Time Setting Screen is on the display causes the seconds count to be reset to 00.
 - Each press of + or - while the 12-hour/24-hour Timekeeping Screen is on the display toggles between 12-hour and 24-hour timekeeping.
3. After configuring the settings you want, use the **SET** button (2) to display the Normal Timekeeping Screen.
- The clock automatically returns to the Normal Timekeeping Screen if you leave a setting screen on the display for about three minutes without performing any operation.

BATTERY REPLACEMENT

Low Battery Warning

Note that the indicator appears on the main unit display when sub-unit battery power goes low. Replace the batteries as soon as possible.

To replace main unit batteries

Replace batteries whenever the display of the clock becomes dim and difficult to read.

- Open the battery compartment cover as shown in the illustration.
- Remove all of the old batteries.
- Load a full set of new batteries. Make sure that their positive (+) and negative (-) ends face in the correct directions. If you load batteries incorrectly, they can burst and damage the main unit.
- Replace the battery compartment cover.
- Press the **RESET** button (4). Be sure to press the **RESET** button (4) after replacing batteries.

To replace sub-unit batteries

1. Open the stand so you can see the back cover.

2. Remove the back cover screw, and then open the back cover.

3. Remove both old batteries.

4. Load new batteries. Make sure that their positive (+) and negative (-) ends face in the correct directions. If you load batteries incorrectly, they can burst and damage the sub-unit.

5. Replace the back cover and secure it in place with the screw.

6. Press the **RESET** button (9). Be sure to press the **RESET** button (9) after replacing batteries.

7. On the main unit, press the **RE-SYNC** button (6).

Battery precautions

- Keep batteries out of the reach of small children. If a battery is accidentally swallowed, contact your physician immediately.
- Be sure to load the batteries with their positive (+) and negative (-) ends facing correctly.
- Never mix old and new batteries, or batteries of different brands.
- Never charge the batteries that come with the product.
- Should batteries ever leak while in the product, wipe out the fluid with a cloth, taking care not to let any get onto your skin.
- Replace the batteries at least once a year, even if the current batteries are working properly.
- The batteries that come with the product lose some of their power during transport and storage.

THERMOMETER FUNCTIONS

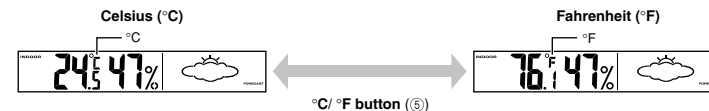
Both the main unit and the sub-unit are equipped with their own temperature sensors. Temperature data measured by the sub-unit is sent by wireless transfer to the main unit. You can toggle the main unit display between the main unit temperature reading and the sub-unit temperature reading. This makes it possible to view both the indoor and outdoor temperature on the main unit display.

Temperature Measurements

- Both the main unit and the sub-unit take temperature measurements every 16 seconds.
- The temperature display shows "LO" for temperatures below -50°C (-58°F) and "HI" for temperatures above 70°C (158°F).
- Though temperature readings are displayed up to 0°C (32°F) and greater than 41°C (105°F), note that such readings are actually outside the guaranteed temperature range of this clock.

Switching between Celsius and Fahrenheit

- Push the °C/°F button (5) to select either Celsius (°C) or Fahrenheit (°F).



Operation Guide IDR-200

CASIO®

Switching between Main Unit and Sub-unit Temperature Data

- Press the **SELECT** button (7) to toggle the display between the main unit (INDOOR) temperature and the sub-unit (OUTDOOR) temperature.
- Main unit temperature: INDOOR indicator displayed
- Sub-unit temperature: OUTDOOR indicator displayed
- The display does not change to the sub-unit (OUTDOOR) temperature if no data has been received from the sub-unit yet.
- Holding down the **SELECT** button (7) for about two seconds turns on auto display switching (2 displayed), which causes the temperature display to alternate between the main unit temperature and sub-unit temperature at five-second intervals. To turn off auto display switching (2 not displayed), hold down the **SELECT** button (7) for about two seconds again.



HYGROMETER FUNCTIONS

Both the main unit and the sub-unit are equipped with their own humidity sensors. Humidity data measured by the sub-unit is sent by wireless transfer to the main unit. You can toggle the main unit display between the main unit humidity reading and the sub-unit humidity reading. This makes it possible to view both the indoor and outdoor humidity on the main unit display.

Humidity Measurements

- Both the main unit and the sub-unit take humidity measurements every 16 seconds.
- The humidity display shows "LO" for humidity below 10% and "HI" for humidity above 90%.

Switching between Main Unit and Sub-unit Humidity Data

- Press the **SELECT** button (7) to toggle the display between the main unit (INDOOR) humidity and the sub-unit (OUTDOOR) humidity.
- Main unit humidity: INDOOR indicator displayed
- Sub-unit humidity: OUTDOOR indicator displayed
- The display does not change to the sub-unit (OUTDOOR) humidity if no data has been received from the sub-unit yet.
- Holding down the **SELECT** button (7) for about two seconds turns on auto display switching (2 displayed), which causes the humidity display to alternate between the main unit humidity and sub-unit humidity at five-second intervals. To turn off auto display switching (2 not displayed), hold down the **SELECT** button (7) for about two seconds again.



USING THE SUB-UNIT

Data Transfer from the Sub-unit

- Data is transferred from the sub-unit to the main unit every three minutes.
- The sub-unit is able to send data to the main unit up to an unobstructed distance of about 30 meters.
- The data receive status is indicated on the display of the main unit by the icons shown below.

Receive successful



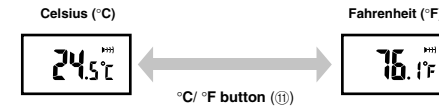
Receive unsuccessful



- If a receive operation is not successful for some reason, the display of the main unit shows dashes (-) in place of the sub-unit temperature and humidity values.
- If you experience problems with data transfer, press the **RE-SYNC** button (6) to synchronize the two units. If this does not eliminate the problem, try changing the positions or orientations of the main unit and sub-unit.
- The transferred data includes temperature and humidity data.

Switching between Celsius and Fahrenheit

- Press the °C/°F button (11) to toggle between Celsius (°C) and Fahrenheit (°F).



Switching between Current Temperature and Humidity

- Press the **SELECT** button (8) to toggle the display between the current temperature and current humidity.
- Holding down **SELECT** button (8) for about two seconds causes the display to continually toggle between the temperature and humidity at five-second intervals.



Location

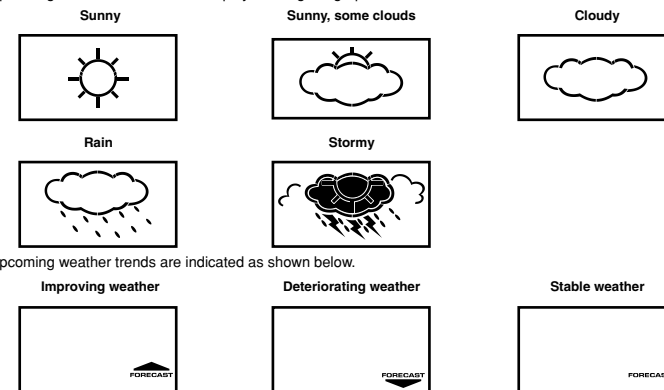
- Place the sub-unit in a location where it will not be exposed to rain, direct sunlight, or other elements.

USING THE WEATHER FORECAST FEATURE

A built in pressure sensor makes it possible to forecast upcoming weather over the next 12 hours based on changes in barometric pressure. Note that these forecasts are not absolutely accurate, and are intended for general reference only.

Weather Forecasts

- Barometric pressure readings are taken every 15 minutes. Weather forecasts are based on the last six readings. Upcoming weather forecasts are displayed using the graphic indicators shown below.



- Upcoming weather trends are indicated as shown below.

MAIN UNIT/SUB UNIT COMMUNICATION PRECAUTIONS

Sub Unit Location

- Certain environmental conditions can greatly reduce the communication range.
- Avoid the following locations for the sub-unit.



Inside or among buildings, or near neon signs



Inside a vehicle



Near refrigerators or other household appliances, near office equipment, mobile phones or wireless LAN devices



Near a construction site, airport, or other sources of electrical noise, underground or in tunnels, near railroads, highways, or radio stations with interfering frequencies



Near high-tension power lines

- Locating the sub-unit near a device that transmits radio signals using the same frequency as this product can cause communication failure of this product.
- Avoid using multiple products in the same area. Doing so can cause mixing of their signals.

Free Manuals Download Website

<http://myh66.com>

<http://usermanuals.us>

<http://www.somanuals.com>

<http://www.4manuals.cc>

<http://www.manual-lib.com>

<http://www.404manual.com>

<http://www.luxmanual.com>

<http://aubethermostatmanual.com>

Golf course search by state

<http://golfingnear.com>

Email search by domain

<http://emailbydomain.com>

Auto manuals search

<http://auto.somanuals.com>

TV manuals search

<http://tv.somanuals.com>