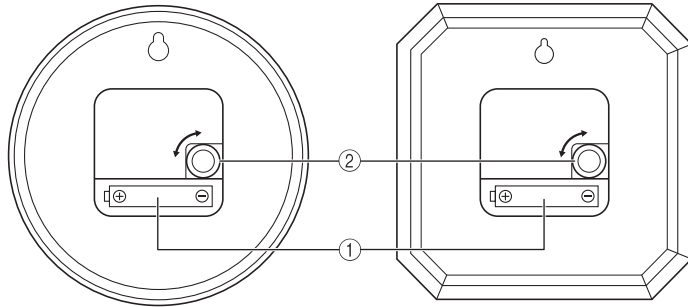


Operation Guide W-CLO.H

CASIO®

<Type 1>



- A sticker is affixed to the glass of this clock when you purchase it. Be sure to remove the sticker before using the clock.
- Depending on its model number, the appearance of your clock may differ somewhat from that shown in the illustration.

TO START THE CLOCK

Insert a battery into the **battery compartment** (①) with polarity as indicated.

TO SET THE TIME

Turn the **hour/minute adjuster** (②) in either direction.

TO CALIBRATE THE SECONDS

<Type 1>

Remove the battery to stop the second hand at 12 o'clock position. Replace the battery at a time signal to restart the second hand on the correct second.

<Type 2>

Slide **switch** (③) to the **STOP** setting to stop the second hand. Slide (③) to **START** on a time signal to restart the second hand.

- The start of the second hand may be delayed depending on the restart timing.

REPLACING THE BATTERY

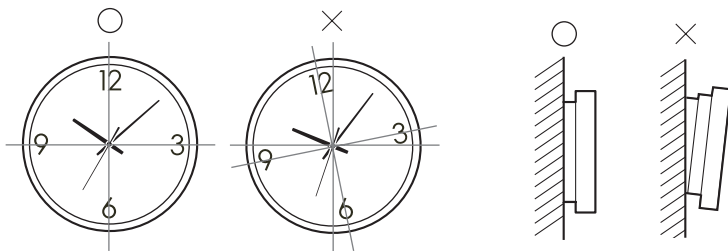
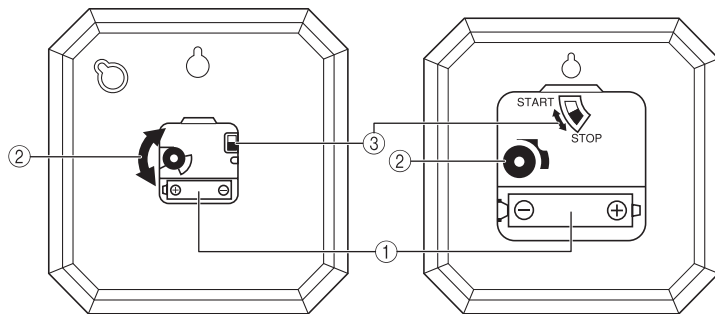
Low battery power is indicated when timekeeping slows or stops completely. Should either of these symptoms occur, replace the battery immediately. A battery left in the clock after it becomes low or goes dead can leak battery fluid.

1. Remove the old battery.
2. Load a new battery, making sure that its positive (+) and negative (-) ends are facing correctly. Loading a battery incorrectly can cause it to burst and damage the clock.

Battery precautions

- Keep batteries out of the reach of small children. If a battery is swallowed accidentally, contact your physician immediately.
- Be sure to load the battery with its positive (+) and negative (-) ends facing correctly.
- Never charge the battery that comes with the clock.
- Should a battery ever leak while in the clock, wipe out the fluid with a cloth, taking care not to let any get onto your skin.
- Replace the battery at least once a year, even if the current battery is working normally.
- The battery that comes with the clock loses some power during transport and storage.

<Type 2>



Free Manuals Download Website

<http://myh66.com>

<http://usermanuals.us>

<http://www.somanuals.com>

<http://www.4manuals.cc>

<http://www.manual-lib.com>

<http://www.404manual.com>

<http://www.luxmanual.com>

<http://aubethermostatmanual.com>

Golf course search by state

<http://golfingnear.com>

Email search by domain

<http://emailbydomain.com>

Auto manuals search

<http://auto.somanuals.com>

TV manuals search

<http://tv.somanuals.com>