

Please read and save these instructions. Read carefully before attempting to assemble, install, operate or maintain the product described. Protect yourself and others by observing all safety information. Failure to comply with instructions could result in personal injury and/or property damage! Retain instructions for future reference.



TIG Torch



Figure 1 - Welder Components and Controls

Description

The WT6100 TIG torch allows you to convert your Arcitech 110 inverter technology welder to a TIG (GTAW) welder. TIG stands for Tungsten Inert Gas. GTAW is Gas Tungsten Arc Welding. TIG is also commonly called Heliarc® welding, but Heliarc® is a brand name of the Linde Company, not a process. Heliarc® comes from Helium Arc Welding, as helium is an inert gas used to keep impurities from the weld. Today most TIG welding is done with 100% Argon shielding gas.

TIG welding gives the most beautiful and clean welds with the most precision and control. It is the best process for welding dissimilar size items together. The drawback to TIG welding is that it takes a high skill level, and it is slow.

TIG welding is often used in welding Aluminum, however welding Aluminum with TIG requires an AC high frequency power source. The Campbell Hausfeld Arcitech 110 has DC only output, so it can not weld Aluminum with the TIG process.

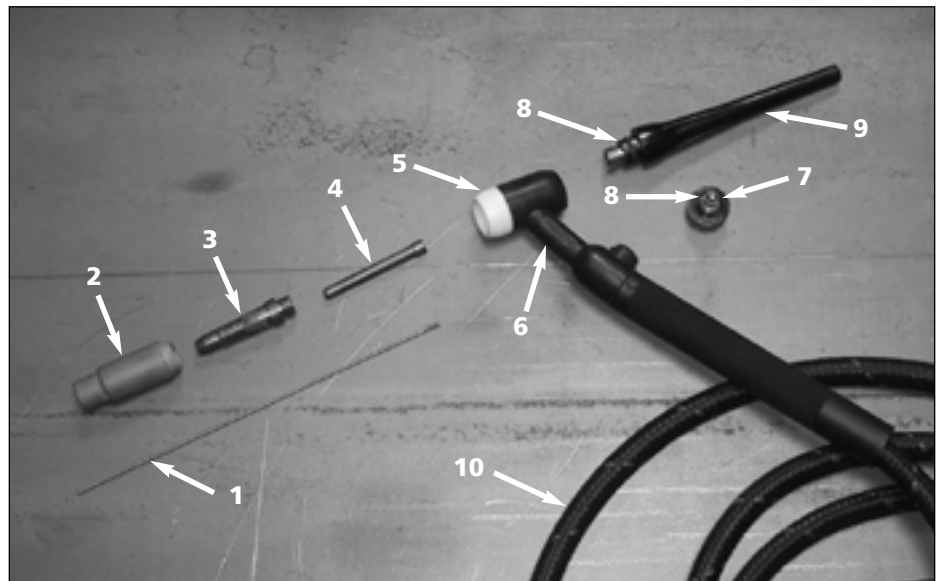


Figure 2

Unpacking

When unpacking, inspect carefully for any damage that may have occurred during transit. Make sure any loose fittings and screws, etc. are tightened before putting unit into service.

WARNING *The electrode holder is "live" (has current potential) when machine is turned on.*

Components of the WT6100 TIG Torch:

1. 2% Thoriated Tungsten Electrode - 1/16" (1.6 mm)
2. Nozzle #7 use with 1/16" (1.6 mm) electrode
3. Collet Body - match to electrode size (1.6 mm)
4. Collet - matched to electrode size (1.6 mm)
5. Insulator
6. Torch Head

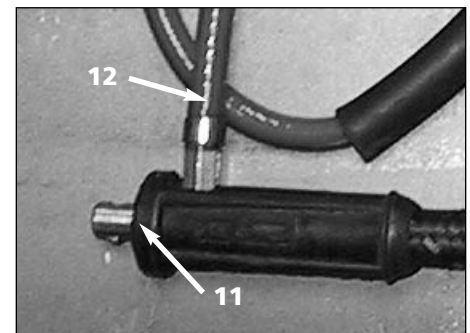


Figure 3

7. Gas Valve
8. O-rings (for gas valve and back cap)
9. Back Cup
10. 12.5' Torch hose
11. Dinse plug power connector (connect to negative (-) output on welder)
12. Gas connector (connect to gas regulator on 100% Argon tank)

REMINDER: Keep your dated proof of purchase for warranty purposes! Attach it to this manual or file it for safekeeping.

GTAW Arc Welding Torch

General Safety

⚠ DANGER *Danger means a hazard that will cause death or serious injury if the warning is ignored.*

⚠ WARNING *Warning means a hazard that could cause death or serious injury if the warning is ignored.*

⚠ CAUTION *Caution means a hazard that may cause minor or moderate injury if the warning is ignored. It also may mean a hazard that will only cause damage to property.*

Note: Note means any additional information pertaining to the product or its proper usage.

⚠ WARNING *Always keep a fire extinguisher accessible while performing arc welding operations.*



- Before starting or servicing any electric arc welder, read and understand all instructions. Failure to follow safety precautions or instructions can cause equipment damage and or serious personal injury or death. For additional safety information, obtain a copy of ANSI Standard Z49.1 - Safety in Welding and Cutting. This publication may be ordered from the American Welding Society, 550 NW. LeJune Rd., Miami, FL 33135.
- All installation, maintenance, repair and operation of this equipment should be performed by qualified persons only in accordance with national, state, and local codes.

⚠ WARNING *Improper use of electric arc welders can cause electric shock, injury, and death! Take all precautions described in this manual to reduce the possibility of electric shock.*



- Verify that all components of the arc welder are clean and in good condition prior to operating the welder. Be sure that the insulation on all cables, electrode holders, and power cords is not damaged.

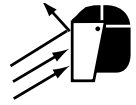
Always repair or replace damaged components before operating the welder. Always keep welder panels, shields, etc. in place when operating the welder.

- Always wear dry protective clothing and welding gloves, and insulated footwear.
- Always operate the welder in a clean, dry, well ventilated area. Do not operate the welder in humid, wet, rainy, or poorly ventilated areas.
- Be sure that the work piece is properly supported and grounded prior to beginning any electric arc welding operation.
- Coiled welding cable should be spread out before use to avoid overheating and damage to insulation.

⚠ DANGER *Never immerse the electrode or torch in water. If the welder becomes wet for any reason, be absolutely certain that it is completely clean and dry prior to attempting use!*

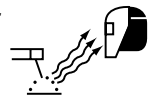
- Always shut the equipment off and unplug the power prior to moving the unit.
- Always attach the ground lead first.
- Verify that the work piece is securely grounded.
- Always shut off electric arc welding equipment when not in use and remove the electrode from the holder.
- Never allow any part of the body to touch the electrode and ground or grounded work piece at the same time.
- Awkward welding conditions and positions can be electrically hazardous. When crouching, kneeling or at elevations, be sure to insulate all conductive parts, wear appropriate protective clothing, and take precautions to prevent injury from falls.
- Never attempt to use this equipment at current settings or duty cycles higher than those specified on the equipment labels.
- Never use an electric arc welder to thaw frozen pipes.

⚠ WARNING *Flying sparks and hot metal can cause injury. As welds cool, slag can be thrown off. Take all precautions described in this manual to reduce the possibility of injury from flying sparks and hot metal.*



- Wear ANSI approved face shield or safety glasses with side shield protection when chipping or grinding metal parts.
- Wear ear plugs when welding overhead to prevent spatter or slag from falling into ears.

⚠ WARNING *Electric arc welding operations produce intense light and heat and ultraviolet (UV) rays. This intense light and UV rays can cause injury to eyes and skin. Take all precautions described in this manual to reduce the possibility of injury to eyes and skin.*



- All persons operating this equipment or in the area while equipment is in use must wear protective welding gear including: welding helmet or shield with proper shade as specified in the following chart, flame resistant clothing, leather welding gloves, and full foot protection.

Current (Amps)	Filter Shade
Up To 160 Amps	10
160 To 250 Amps	12

⚠ WARNING *Never look at arc welding operations without eye protection as described above. Never use a shade filter lens that is cracked, broken, or rated below number 10. Warn others in the area not to look at the arc.*

⚠ WARNING *Electric arc welding operations cause sparks and heat metal to temperatures that can cause severe burns! Use protective gloves and clothing when performing any metal working operation. Take all precautions described in this manual to reduce the possibility of skin and clothing burns.*



Model WT6100

- Make sure that all persons in the welding area are protected from heat, sparks, and ultraviolet rays. Use additional face shields and flame resistant barriers as needed.
- Never touch work pieces until completely cooled.

▲WARNING *Heat and sparks produced during electric arc welding and other metal working operations can ignite flammable and explosive materials! Take all precautions described in this manual to reduce the possibility of flames and explosions.*



- Remove all flammable materials within 35 feet (10.7 meters) of welding arc. If removal is not possible, tightly cover flammable materials with fire proof covers.
- Do not operate any electric arc welder in areas where flammable or explosive vapors may be present. Take precautions to be sure that flying sparks and heat do not cause flames in hidden areas, cracks, behind bulkheads, etc.

▲WARNING *Fire hazard! Do not weld on containers or pipes that contain or have contained flammable materials or gaseous or liquid combustibles.*



▲WARNING *Arc welding closed cylinders or containers such as tanks or drums can cause explosion if not properly vented! Verify that any cylinder or container to be welded has an adequate ventilation hole, so that expanding gases can be released.*



▲WARNING *Do not breathe fumes that are produced by the arc welding operation. These fumes are dangerous. If the welding area cannot be adequately ventilated, be sure to use an air-supplied respirator.*



- Keep the head and face out of the welding fumes.
- Do not perform electric arc welding operations on metals that are galvanized or cadmium plated, or

contain zinc, mercury, or beryllium without completing the following precautions:

- a. Remove the coating from the base metal.
 - b. Make sure that the welding area is well ventilated.
 - c. Use an air-supplied respirator.
- Extremely toxic fumes are created when these metals are heated.

▲WARNING *The electro-magnetic field that is generated during arc welding may interfere with the operation of various electrical and electronic devices such as cardiac pacemakers. Persons using such devices should consult with their physician prior to performing any electric arc welding operations.*



- Route the electrode and work cables together and secure with tape when possible.
- Never wrap arc welder cables around the body.
- Always position the electrode and ground leads so that they are on the same side of the body.
- Exposure to electromagnetic fields during welding may have other health effects which are not known.

▲WARNING *Always be sure that the welding area is secure and free of hazards (sparks, flames, glowing metal or slag) prior to leaving. Be sure that equipment is turned off and electrode is removed. Be sure that cables are loosely coiled and out of the way. Be sure that all metal and slag has cooled.*

ADDITIONAL SAFETY STANDARDS

ANSI Standard Z49.1 from American Welding Society, 550 N.W. LeJune Rd. Miami, FL 33126

Safety and Health Standards

OSHA 29 CFR 1910, from Superintendent of Documents, U.S. Government Printing Office, Washington, D.C. 20402

National Electrical Code

NFPA Standard 70, from National Fire Protection Association, Batterymarch Park, Quincy, MA 02269

Safe Handling of Compressed Gases in Cylinders

CGA Pamphlet P-1, from Compressed Gas Association, 1235 Jefferson Davis Highway, Suite 501, Arlington, VA 22202

Code for Safety in Welding and Cutting

CSA Standard W117.2, from Canadian Standards Association, Standards Sales, 178 Rexdale Boulevard, Rexdale, Ontario, Canada M9W 1R3

Cutting And Welding Processes

NFPA Standard 51B, from National Fire Protection Association, Batterymarch Park, Quincy, MA 02269

Safe Practices For Occupational And Educational Eye And Face Protection

ANSI Standard Z87.1, from American National Standards Institute, 1430 Broadway, New York, NY 10018
Refer to the Material Safety Data Sheets and the manufacturers instructions for metals, electrodes, coatings and cleaners.

Installation

LOCATION

Selecting the proper location can significantly increase performance, reliability and life of the arc welder.

- For best results locate the welder in an environment that is clean and dry. Avoid locations exposed to high temperature, high humidity, dust and corrosive fumes. High humidity causes moisture condensation on electrical components. Moisture can contribute to corrosion and short electrical components. Dust and dirt in the welder retain moisture and increase wear of moving parts.
- Place the welder in an area that provides at least twelve inches (305 mm.) of ventilation space at both the front and rear of the unit. Keep all obstructions away from this ventilation space.
- Store electrodes and filler metal in a clean, dry location with low humidity.
- The welder control panel contains information regarding proper input

GTAW Arc Welding Torch

voltage and amperage. Follow the specifications on the welder front panel.

- The receptacle used for the welder must be properly grounded and the welder must be the only load on the power supply circuit.

The Components of TIG Welding (not included with your WT6100 TIG torch) are:

1. A constant current power supply such as the Arcitech 110 inverter technology arc welder.
2. A bottle of 100% Argon Shielding gas
3. An Argon regulator with proper connections from the regulator to the TIG torch.
4. Filler metal
5. Proper safety equipment such as a welding helmet and gloves.

Set Up:

Torch connection to power supply - The WT6100 torch comes with a quick connect Dinse plug that is plugged in to the NEGATIVE (-) receptacle on the power supply.

The Work clamp is plugged in to the POSITIVE (+) receptacle of the power supply.

A beginning heat output amp setting is selected based on the thickness of the steel to be welded (See chart below).

100% Argon shielding gas is connected to the torch at a regulated rate of 15 - 30 cubic feet per hour (cfh.) If you have too little gas, you will see porosity of your weld. Too much flow is just a waste of gas.

Filler metal is applied to the TIG weld by hand feeding as is done with oxy-acetylene (flame power) welding. The filler metal must match the material you are welding. For welding mild steel, use an un-coated steel rod such as Welco W-1200, AWS A5.2-69, class RG60, or E70S-6 MIG wire. The diameter of the filler metal is based on the thickness of the material being welded (See chart).

Tungsten Electrodes come in a variety of compositions and sizes. Since the Arcitech 110 welder with WT6100 torch is a DC TIG welder, you should use only 2% Thoriated tungsten electrodes. These electrodes have a red identification mark. The diameter of the electrode is determined by the thickness of the material being welded. (See chart).

THE COLLET AND COLLET BODY SIZE MUST MATCH THE DIAMETER OF THE TUNGSTEN ELECTRODE.

Before installing the Tungsten Electrode you must grind a point on the welding end of the electrode. A point of 15 - 30 degrees is desired. It is important to grind the point with grinding marks running lengthwise as opposed to running the direction of the diameter.

Install the Tungsten Electrode in the torch by hand tightening the collet body first, and then the back cap. Install the electrode so that the pointed end sticks out past the nozzle about 3/16".



Figure 4 - Tungsten should stick out 3/16"



Figure 5- Install Back Cap

TIG Consumable Selection Chart

Steel Thickness Inches	Tungsten Electrode Diameter		Filler Wire Diameter		DC Amp Setting
	Inches	Millimeters	Inches	Millimeters	
.020" - .040"	.020"	0.5	1/16"	1.6	2 - 20
.040" - 1/16"	.040"	1	1/16"	1.6	10 - 75
1/16" - 1/8"	1/16"	1.6	1/16"	1.6	60 - 150
1/8" - 3/16"	5/64"	2	3/32"	2.4	100 - 200
3/16" - 1/4"	3/32"	2.4	1/8"	3.2	170 - 250

Model WT6100

Pre-TIG Welding tips:

TIG welding is much harder to master than other welding processes. Experience welding with an Oxy-Acetylene (flame power) torch will help greatly with learning TIG welding.

CLEAN the area to be welded.

Cleanliness is imperative. You can't get the base metal too clean. There is no flux to float off impurities with the TIG process.

Cut filler metal rods to shorter lengths for easier control. Usually TIG filler metal comes in 36" lengths. It is much easier to handle if it is 18" or 12". Clean the filler metal with alcohol and a clean white cloth. Dirt and dust contaminate a weld.

TIG welding gives off less light than other arc welding processes, but you must still use a #10 minimum shade welding lens to protect your eyes.

Get yourself into a comfortable position to weld. Seated with your arms supported by a welding table or by the work-piece.

Striking an arc:

Turn on the welder and the gas valves on the gas bottle, regulator, and torch.

Rest the torch nozzle on the base metal to be welded without the Tungsten electrode touching the base metal.

Rotate the torch so that the Tungsten electrode lightly touches the base metal and immediately lift off or rotate off as the arc ignites.

Keep the Tungsten 1/8" - 3/16" from the work piece while maintaining the arc.

As the metal gets hot, it becomes a shiny orange molten puddle. Dip the filler metal rod in the puddle to add filler metal.

Tips while TIG welding:

Always let the filler metal rod be melted by the molten puddle. NOT by the torch.

Never touch the hot Tungsten electrode to the molten puddle. The molten steel will be wicked up by the Tungsten, contaminating the electrode.

When you contaminate the Tungsten with steel, stop welding and re-grind the point of the electrode, removing the steel contamination.

When you burn a hole through the base metal, stop welding and let the weld cool before re-starting the arc.

Before making an important TIG weld, practice on a test piece. TIG welding is an art, and practice improves quality. There is a lot of self-satisfaction to mastering this welding process and seeing that perfect weld.

TIG Electrode Identification

Identification Color	Oxide
Green	None
Blue	0.4% ThO ₂
Yellow	1.0% ThO ₂
Red	2.0% ThO ₂
Violet	3.0% ThO ₂
Orange	4.0% ThO ₂
Brown	0.3% ZrO ₂
White	0.8% ZrO ₂
Black	1.0% LaO ₂
Grey	2.0% CeO ₂

Recommended TIG Parameters for Optional Electrodes

Electrode Diameter		Direct Current (amps)				Alternating Current (amps)	
		Electrode Negative Polarity		Electrode Positive Polarity			
(in)	(mm)	Pure Tungsten	Tungsten with Oxides	Pure Tungsten	Tungsten with Oxides	Pure Tungsten	Tungsten with Oxides
0.02	0.5	2-20	2-20	N/A	N/A	2-15	2-15
0.04	1.0	10-75	10-75	N/A	N/A	15-55	15-70
1/16	1.6	40-130	60-150	10-20	10-20	45-90	60-125
5/64	2.0	75-180	100-200	15-25	15-25	65-125	85-160
3/32	2.4	130-230	170-250	17-30	17-30	80-140	120-210
1/8	3.2	160-310	225-330	20-35	20-35	150-190	150-250
5/32	4.0	275-450	350-480	35-50	35-50	180-260	240-350
3/16	5.0	400-625	500-675	50-70	50-70	240-350	330-460
1/4	6.3	550-875	650-950	65-100	65-100	300-450	430-575

Welding Terms

AC or Alternating Current - electric current that reverses direction periodically. Sixty cycle current travels in both directions sixty times per second.

Arc Length - the distance from the end of the electrode to the point where the arc makes contact with the work surface.

Base Metal - the material to be welded.

Butt Joint - a joint between two members aligned approximately in the same plane.

Crater - a pool, or pocket, that is formed as the arc comes in contact with the base metal.

DC or Direct Current - electric current which flows only in one direction. The polarity (+ or -) determines which direction the current is flowing.

DC Reverse Polarity - occurs when the electrode holder is connected to the positive pole of the welding machine. Reverse Polarity directs more heat into melting the electrode rather than the work piece. It is used on thinner material.

DC Straight Polarity - occurs when the electrode holder is connected to the negative pole of the welding machine. With straight polarity more heat is directed to the work piece for better penetration on thicker material.

Electrode - a coated metal wire having approximately the same composition as the material being welded.

Fillet Weld - approximately a triangle in cross-section, joining two surfaces at right angles to each other in a lap, T or corner joint.

Flux - a coating, when heated, that produces a shielding gas around the welding area. This gas protects the parent and filler metals from impurities in the air.

Flux Cored Arc Welding (FCAW) - also called Gasless, is a welding process used with a wire-feed welding machine. The weld wire is tubular with flux material contained inside for shielding.

Gas Metal Arc Welding (GMAW) - also called MIG, is a welding process used with a wire feed welding machine. The wire is solid and an inert gas is used for shielding.

Gas Tungsten Arc Welding (GTAW) - also called TIG, is a welding process used with welding equipment with a high frequency generator. The arc is created between a non-consumable tungsten electrode and the work piece. Filler metal may or may not be used.

Lap Joint - a joint between two overlapping members in parallel planes.

MIG - see Gas Metal Arc Welding.

Open Circuit Voltage (OCV) - the voltage between the electrode and the ground clamp of the welding machine when no current is flowing (not welding). The OCV determines how quickly the arc is struck.

Overlap - occurs when the amperage is set too low. In this instance, the molten metal falls from the electrode without actually fusing into the base metal.

Porosity - gas pockets, or cavities, formed during weld solidification. They weaken the weld.

Penetration - the depth into the work piece that has been heat effected by the arc during the welding process. A good weld achieves 100% penetration meaning that the entire thickness of the work piece has been heated and resolidified. The heat effected area should be easily seen on the opposite side of the weld.

Shielded Metal Arc Welding (SMAW) - also called Stick, is a welding process with uses a consumable electrode to support the arc. Shielding is achieved by the melting of the flux coating on the electrode.

Slag - a layer of flux soot that protects the weld from oxides and other contaminants while the weld is solidifying (cooling). Slag should be removed after weld has cooled.

Splatter - metal particles thrown from the weld which cool and harden on the work surface. Splatter can be minimized by using a splatter resistant spray on the work piece before welding.

Stick - see Shielded Metal Arc Welding.

Tack Weld - weld made to hold parts in proper alignment until final welds are made.

TIG - see Gas Tungsten Arc Welding.

Travel Angle - the angle of the electrode in the line of welding. It varies from 5° to 45° depending on welding conditions.

T Joint - made by placing the edge of one piece of metal on the surface of the other piece at approximately a 90° angle.

Undercut - a condition that results when welding amperage is too high. The excessive amperage leaves a groove in the base metal along both sides of the bead which reduces the strength of the weld.

Weld Pool or Puddle - a volume of molten metal in a weld prior to its solidification as weld metal.

Weld Bead - a narrow layer or layers of metal deposited on the base metal as the electrode melts. Weld bead width is typically twice the diameter of the electrode.

Work Angle - the angle of the electrode from horizontal, measured at right angles to the line of welding.

WT6100

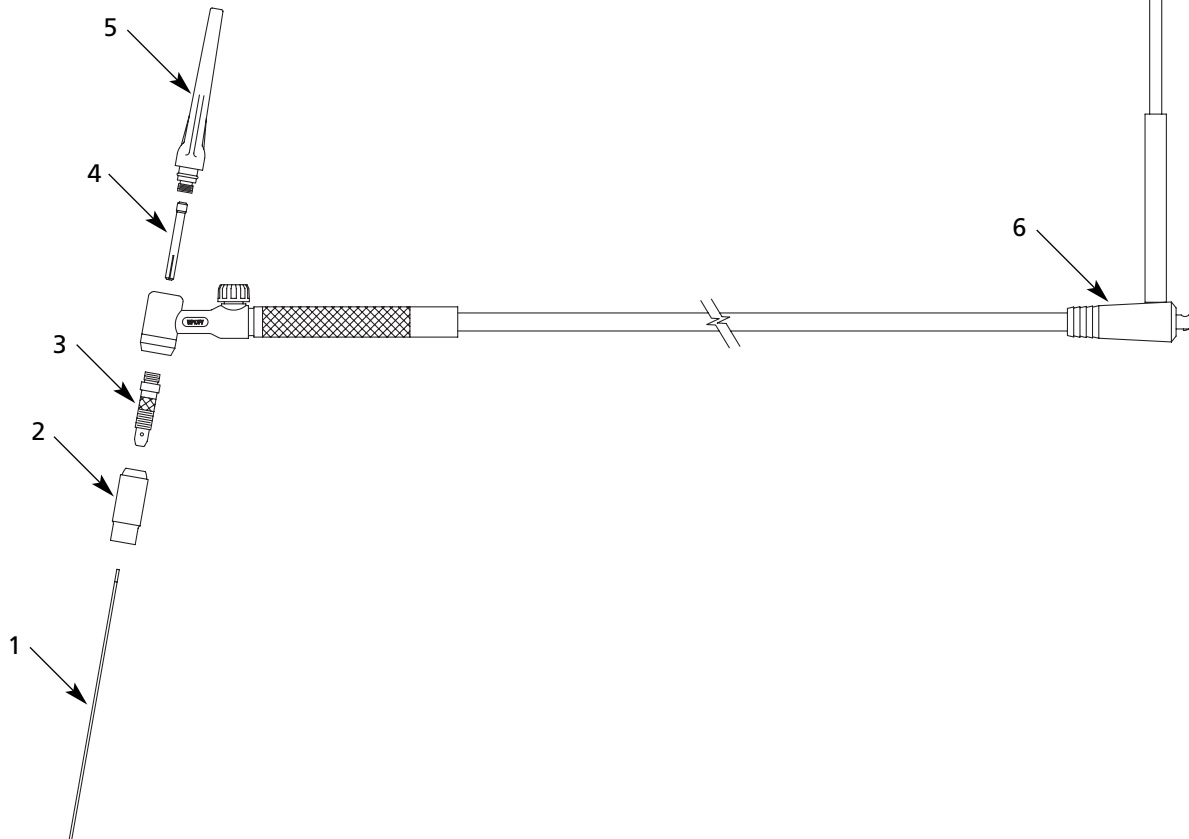
For parts, products & service information visit
POWER XPERT
www.chpower.com

Please provide following information:

- Model number
- Serial number (if any)
- Part description and number as shown in parts list

Address parts correspondence to:

The Campbell Group
Attn: Parts Department
100 Production Drive
Harrison, OH 45030 U.S.A.



For Replacement Parts, Call 1-800-746-5641

Replacement Parts List

Ref. No	Description	Part Number	Qty.
1	1.6 mm 2% Thoriated tungsten electrode - (10 per package)	WC250033AV	1
2	7/16" ID Ceramic nozzle #7	WC250123AV	1
3	1.6 mm Collet body	WC250103AV	1
4	1.6 mm Collet	WC250113AV	1
5	Back cup	WC250130AV	1
6	Dinse connector with gas port	WC250131AV	1

Limited Warranty

1. Duration: The manufacturer warrants that it will repair, at no charge for parts or labor, Welding Torch, or Cables, proven defective in material or workmanship, during the following time period(s) after date of original retail purchase:

90 Days: The TIG Welding Torch

2. Who Gives This Warranty (Warrantor):

Campbell Hausfeld
The Scott Fetzer Company
100 Production Drive
Harrison, OH 45030
Telephone: (513)-367-4811

3. Who Receives This Warranty (Purchaser): The original purchaser of the Campbell Hausfeld product.

4. What is covered under this warranty: Defects in material and workmanship which occur within the duration of the warranty period. This warranty extends to the TIG Welding Torch only.

5. What is not covered under this warranty:

- A. Implied warranties, including those of merchantability and FITNESS FOR A PARTICULAR PURPOSE ARE LIMITED IN DURATION TO THIS EXPRESS WARRANTY. After this period, all risks of loss, from whatever reason, shall be on the purchaser. Some states do not allow limitations on how long an implied warranty lasts, so above limitations may not apply to you.
 - B. ANY INCIDENTAL, INDIRECT, OR CONSEQUENTIAL LOSS, DAMAGE, OR EXPENSE THAT MAY RESULT FROM ANY DEFECT FAILURE OR MALFUNCTION OF THE CAMPBELL HAUSFELD PRODUCT. Some states do not allow limitations on how long an implied warranty lasts, so above limitations may not apply to you.
 - C. This warranty does not apply to any accessory items included with the product which are subject to wear from usage; the repair or replacement of these items shall be at the expense of the owner. These TIG items include but are not limited to; Tungsten, Collet, Collet Body, Ceramic Nozzles. In addition, this warranty does not extend to any damage caused by the untimely replacement or maintenance of any of the previously listed CONSUMABLE parts.
 - D. Any failure that results from accident, purchaser's abuse, neglect or failure to operate products in accordance with instructions provided in the owner's manual(s) supplied with the product.
 - E. Pre-delivery service, i.e. assembly and adjustment.
- 7. Responsibilities of Warrantor under this warranty:** Repair or replace, at Warrantor's option, products or components which have failed within duration of the warranty period.

8. Responsibilities of purchaser under this warranty:

- A. Deliver or ship the Campbell Hausfeld product or component to Campbell Hausfeld. Freight costs, if any, must be borne by the purchaser.
 - B. Use reasonable care in the operation and maintenance of the products as described in the owner's manual(s).
- 9. When Warrantor will perform repair or replacement under this warranty:** Repair or replacement will be scheduled and serviced according to the normal work flow at the servicing location, and depending on the availability of replacement parts.

This Limited Warranty gives you specific legal rights and you may also have other rights which vary from state to state.

S'il vous plaît lire et conserver ces instructions. Lire attentivement avant de monter, installer, utiliser ou de procéder à l'entretien du produit décrit. Se protéger ainsi que les autres en observant toutes les instructions de sécurité, sinon, il y a risque de blessure et/ou dégâts matériels! Conserver ces instructions comme référence.



Chalumeau TIG



Figure 1 - Contrôles et composants de soudure

Description

Le chalumeau TIGWT6100 vous permet de convertir votre soudeur à technologie de convertisseur Arcitech 110 en soudeur TIG (GTAW). TIG est « l'arc sous gaz inerte avec électrode de tungstène » (Tungsten Inert Gas). GTAW est le « soudage à l'électrode de tungstène » TIG s'appelle aussi couramment la soudure Heliarc®, mais Heliarc® est un nom de marque de la société Linde, non pas une procédure. Le terme Heliarc® découle de Soudure à l'arc d'hélium, puisque l'hélium est un gaz inerte utilisé pour garder les impuretés loin de la soudure. La plupart de la soudure TIG d'aujourd'hui se fait au gaz de protection d'argon à 100 %.

La soudure TIG donne les plus belles et les plus propres soudures avec le plus de précision et de contrôle. C'est le meilleur processus pour souder ensemble les articles de tailles différentes. Le désavantage de la soudure TIG est qu'il faut un niveau élevé de technique et elle est lente.

La soudure TIG est souvent utilisée pour souder l'aluminium, mais cette soudure sous TIG exige une source d'alimentation en c.a. à haute fréquence. Le modèle

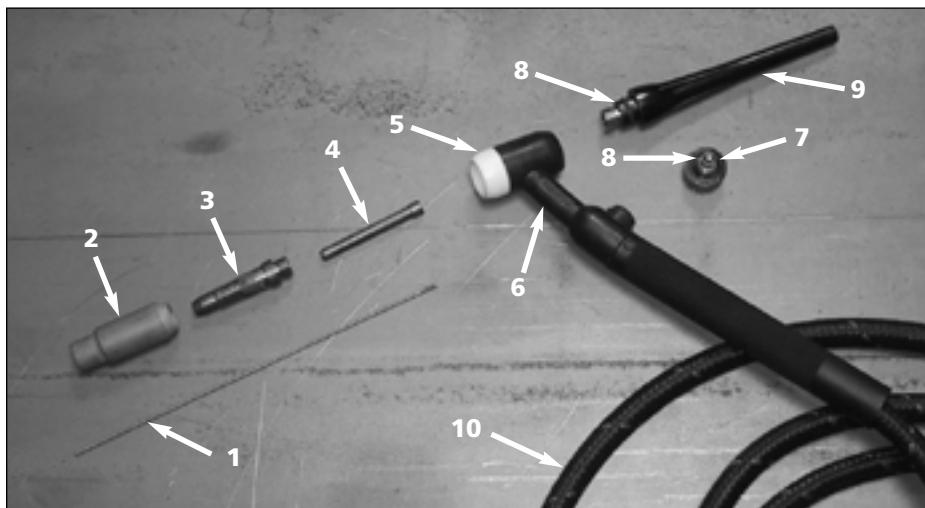


Figure 2

Arcitech 110 Campbell Hausfeld a seulement une sortie de c.c. donc cela ne peut pas souder d'aluminium avec la procédure TIG.

Déballage

Lors du déballage, l'examiner soigneusement pour rechercher toute trace de dommage susceptible de s'être produit en cours de transport. S'assurer que tous raccords, vis, etc. sont serrés avant de mettre ce produit en service.

⚠ AVERTISSEMENT Le porte-électrode est "électrifié" (porte une charge électrique) quand le modèle est en marche (ON).

Composants du chalumeau TIG WT6100 :

1. Électrode en tungstène thorié 2 % - 1/16 po (1,6 mm)
2. Embout no 7 utilisé avec électrode de 1/16 po (1,6 mm)
3. Corps de la pince-barre - agencer à la taille de l'électrode (1,6 mm)
4. Mandrin - agencer à la taille de l'électrode (1,6 mm)
5. Isolateur
6. Tête de chalumeau

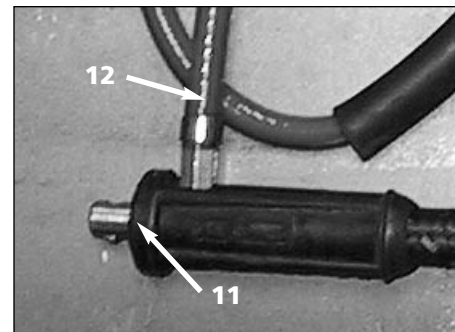


Figure 3

7. Soupape à gaz
8. Joints toriques (pour la soupape à gaz et le capuchon de retour).
9. Coupelle de retour
10. Tuyau de chalumeau de 12,5 pi (3,81 m)
11. Fiche de connexion dinse (se connecte à la sortie négative (-) sur le soudeur)
12. Connecteur de gaz (se connecte au régulateur de gaz sur le réservoir Argon à 100 %)

MÉMENTO: Gardez votre preuve datée d'achat à fin de la garantie!
Joignez-la à ce manuel ou classez-la dans un dossier pour plus de sécurité.

Chalumeau de soudure à l'arc GTAW

Généralités Sur La Sécurité

⚠ DANGER

Danger indique:

Ne pas suivre cet avertissement causera la perte de vie ou blessures graves.

⚠ AVERTISSEMENT

Avertissement indique:

Ne pas suivre cet avertissement peut causer la perte de vie ou blessures graves.

⚠ ATTENTION

Attention indique:

Ne pas suivre cet avertissement peut causer des blessures (légères ou moyennes) ou dommage matériel.

Remarque: Remarque indique: Information additionnelle concernant le produit ou son utilisation.

⚠ AVERTISSEMENT

Toujours avoir un extincteur d'incendie disponible pendant le soudage à l'arc.



- Lire et comprendre toutes instructions avant de démarrer un soudeur à l'arc ou de procéder à son entretien. Ne pas suivre les précautions et instructions de sécurité peut mener à des blessures graves, perte de vie ou dommage matériel. Pour plus d'information concernant la sécurité, obtenir la publication ANSI Standard Z49.1 - Safety in Welding and Cutting. Cette publication est disponible à l'American Welding Society, 550 NW. LeJune Rd., Miami, FL 33135.
- Toute installation, entretien, réparation et utilisation de cet équipement doivent être effectués par des personnes qualifiées conformément aux codes nationaux, provinciaux et locaux.

⚠ AVERTISSEMENT

La mauvaise utilisation des soudeurs à l'arc peut mener à des chocs électriques, blessures, et perte de vie ! Suivre toutes les précautions indiquées dans ce manuel afin de réduire le risque de choc électrique.



- S'assurer que toutes les pièces du soudeur à l'arc sont propres et en bon état avant d'utiliser le soudeur. S'assurer que l'isolation sur tous les câbles, porte-électrodes et cordons d'alimentation n'est pas endommagée. Toujours réparer ou

remplacer les pièces détachées qui sont endommagées avant d'utiliser le soudeur. Toujours maintenir les panneaux et couvercles de soudage en place pendant l'utilisation du soudeur.

- Toujours porter des vêtements protecteurs et gants de soudage secs, et des chaussures isolantes.
- Toujours utiliser le soudeur dans un endroit propre, sec et bien ventilé. Ne jamais utiliser de soudeur dans un endroit humide, trempé, pluvieux, ou mal-ventilé.
- S'assurer que l'objet sur lequel vous travaillez est bien fixé et mis à la terre correctement avant de commencer votre soudage électrique à l'arc.
- Le câble de soudage roulé devrait être déroulé avant l'utilisation afin d'éviter le surchauffage et les dommages à l'isolation.

⚠ DANGER

Ne jamais immerger l'électrode ou le chalumeau dans l'eau. Si le soudeur devient trempé, il est nécessaire qu'il soit complètement sec et propre avant l'utilisation !

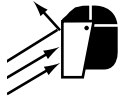
- Toujours mettre l'équipement hors circuit et le débrancher avant de le déplacer.
- Toujours brancher d'abord le conducteur de terre.
- Vérifier que l'objet sur lequel vous travaillez soit mis à la terre correctement.
- Toujours mettre l'équipement de soudage électrique à l'arc hors circuit s'il n'est pas utilisé et enlever l'électrode du porte-électrode.
- Ne jamais permettre que votre corps touche l'électrode et le contact à la terre, ou l'objet sur lequel vous travaillez en même temps.
- Les conditions et positions de soudage difficiles peuvent poser des risques électriques. Si vous êtes accroupis, à genoux ou surélevé, s'assurer que toutes les pièces conductrices sont isolées. Porter des vêtements protecteurs convenables et prendre des précautions contre les chutes.
- Ne jamais essayer d'utiliser cet

équipement aux réglages de courant ou facteurs d'utilisation plus hauts que ceux indiqués sur les étiquettes de l'équipement.

- Ne jamais utiliser de soudeur électrique à arc pour dégeler les tuyaux congelés.

⚠ AVERTISSEMENT

Les étincelles volantes et le métal chaud peuvent causer des blessures. La scorie peut s'échapper quand les soudures refroidissent. Prendre toutes les précautions indiquées dans ce manuel pour réduire la possibilité de blessure par les étincelles volantes et le métal chaud.



- Porter un masque de soudure approuvé par ANSI ou des lunettes protectrices avec écrans protecteurs latéraux pendant le burinage ou l'ébarbage des pièces en métal.
- Utiliser des protège-tympons pour le soudage aérien afin d'éviter que la scorie ou la bavure tombe dans les oreilles.

⚠ AVERTISSEMENT

Le soudage électrique à l'arc produit une lumière intense, de la chaleur et des rayons ultraviolets (UV). Cette lumière intense et ces rayons UV peuvent causer des blessures aux yeux et à la peau. Prendre toutes les précautions indiquées dans ce manuel afin de réduire la possibilité de blessure aux yeux et à la peau.



- Toutes les personnes qui utilisent cet équipement ou qui sont sur place pendant l'utilisation de l'équipement doivent porter des vêtements de soudage protecteurs y compris: masque ou casque de soudeur ou écran avec filtre indiqué sur le tableau suivant, vêtements incombustibles, gants de soudeur en cuir, et protection complète pour les pieds.

Courant (Amps)	Lentille Filtrante
Jusqu'à 160 Amps	10
160 À 250 Amps	12

⚠ AVERTISSEMENT

Ne jamais observer le soudage sans protection pour les yeux indiqué ci-dessus. Ne jamais utiliser de lentille filtrante fendue, cassée, ou classifiée

Modèle WT6100

moins que 10. Avertir les autres personnes sur place de ne pas regarder l'arc.

⚠️ AVERTISSEMENT

Le soudage électrique à l'arc produit des étincelles et chauffe le métal à des températures qui peuvent causer des brûlures graves ! Utiliser des gants et des vêtements protecteurs pendant tout travail de métal. Prendre toutes les précautions indiquées dans ce manuel afin de réduire la possibilité de brûlures de peau ou de vêtements.



- S'assurer que toutes les personnes à l'endroit du soudage sont protégés contre la chaleur, les étincelles et les rayons ultraviolets. Utiliser des masques additionnels et des écrans coupe-feu au besoin.
- Ne jamais toucher les objets de travail avant qu'ils ne refroidissent complètement.

⚠️ AVERTISSEMENT

La chaleur et les étincelles produites pendant le soudage électrique à l'arc et autres travaux de métal peuvent allumer les matériaux inflammables et explosifs ! Prendre toutes les précautions indiquées dans ce manuel afin de réduire la possibilité de flammes et d'explosions.



- Enlever tous les matériaux inflammables à moins de 35 pieds (10,7 mètres) de l'arc de soudage. Si ceci n'est pas possible, couvrir les matériaux inflammables avec des couvertures incombustibles.
- Ne pas utiliser de soudeur électrique à l'arc dans les endroits qui contiennent des vapeurs inflammables ou explosifs.
- Prendre des précautions pour s'assurer que les étincelles volantes et la chaleur ne produisent pas de flammes dans des endroits cachés, fentes, derrière les cloisons, etc.

⚠️ AVERTISSEMENT

Risque d'incendie ! Ne pas souder les récipients ou tuyaux qui contiennent ou ont contenu des matériaux inflammables ou combustibles gazeux ou liquides.



⚠️ AVERTISSEMENT

Le soudage à l'arc des cylindres ou récipients fermés tels que les réservoirs



ou bidons peuvent causer une explosion s'ils ne sont pas bien ventilés ! Vérifier qu'il y a un trou de ventilation suffisant dans tout cylindre ou récipient pour permettre la ventilation des gaz en expansion.

⚠️ AVERTISSEMENT

Ne pas inspirer les vapeurs produites par le soudage à l'arc. Ces vapeurs sont dangereuses. Utiliser un respirateur si l'endroit de soudage n'est pas bien ventilé.



- Tenir la tête et le visage hors des vapeurs de soudage.
- Ne pas faire de soudage électrique à l'arc sur les métaux qui sont galvanisés ou plaqués en cadmium, ou qui contiennent du zinc, du mercure, ou du beryllium sans suivre les précautions suivantes :
 - a. Enlever l'enduit du métal commun.
 - b. S'assurer que l'endroit de soudage est bien ventilé.
 - c. Utiliser un respirateur à air fourni.Des vapeurs extrêmement toxiques sont produites pendant le chauffage de ces métaux.

⚠️ AVERTISSEMENT

Le champ électro-magnétique produit pendant le soudage à l'arc peut causer de l'interférence avec le fonctionnement de plusieurs appareils électriques tels que les pacemakers cardiaques. Toutes les personnes qui utilisent ces appareils doivent consulter leur médecin avant tout soudage électrique à l'arc.



- Acheminer l'électrode et les câbles ensemble et les fixer avec du ruban adhésif si possible.
- Ne jamais enrouler les câbles de soudage à l'arc autour du corps.
- Toujours placer l'électrode et les conducteurs de terre afin qu'ils soient sur le même côté du corps.
- L'exposition aux champs électro-magnétiques peut provoquer d'autres réactions inconnues en matière de santé.

⚠️ AVERTISSEMENT

Toujours laisser l'endroit de soudage sûr et sans risques (étincelles, flammes, métal chauffé au rouge ou scorie). S'assurer que l'équipement est hors circuit et que l'électrode est enlevée. S'assurer que les

câbles sont roulés (sans serrer) et hors du chemin. S'assurer que tout métal et scorie sont refroidis.

NORMES DE SÉCURITÉ ADDITIONNELLES

Norme ANSI Z49.1 de l' American Welding Society, 550 N.W. LeJune Rd. Miami, FL 33126

Safety and Health Standards (Normes de Sécurité et de Santé)

OSHA 29 CFR 1910, du Superintendent of Documents, U.S. Government Printing Office, Washington, D.C. 20402

National Electrical Code (Code Électrique National)

Norme NFPA 70, du National Fire Protection Association, Batterymarch Park, Quincy, MA 02269

Safe Handling of Compressed Gases in Cylinders (Manipulation Sûr des Gaz Comprimés en Cylindres)

CGA Pamphlet P-1, du Compressed Gas Association, 1235 Jefferson Davis Highway, Suite 501, Arlington, VA 22202

Code for Safety in Welding and Cutting (Code de Sécurité pour le Soudage et le Coupage)

Norme CSA W117.2, de l'Association canadienne de normalisation, Standards Sales, 178 Rexdale Boulevard, Rexdale, Ontario, Canada M9W 1R3

Cutting And Welding Processes (Procédés de Coupage et de Soudage)

Norme NFPA 51B, du National Fire Protection Association, Batterymarch Park, Quincy, MA 02269

Safe Practices For Occupational And Educational Eye And Face Protection (Règlements Professionnels et D'Éducation de Sécurité pour la Protection des Yeux et du Visage)

Norme ANSI Z87.1, de l'American National Standards Institute, 1430 Broadway, New York, NY 10018

Se référer aux Material Safety Data Sheets (fiches de sécurité) et aux instructions du fabricant pour les métaux, électrodes, enduits et produits pour le nettoyage.

Installation

EMPLACEMENT

Le choix d'un bon endroit peut améliorer le rendement, le

Chalumeau de soudure à l'arc GTAW

fonctionnement et la durée de vie utile du soudeur à l'arc.

- Pour un meilleur résultat, placer le soudeur dans un endroit propre et sec. Éviter les endroits qui sont exposés aux températures hautes, à une humidité élevée, à la poussière et aux vapeurs corrosives. L'humidité élevée produit de la condensation sur les pièces électriques. L'humidité peut contribuer à la corrosion et causer un court-circuit dans les pièces électriques. La poussière et la saleté dans le soudeur conservent l'humidité et augmentent l'usure des pièces mobiles.
- Choisir un endroit pour le soudeur qui fournit au moins douze po (305 mm) d'espace de ventilation en avant et en arrière du modèle. Ne pas obstruer cet espace de ventilation.
- Ranger les électrodes et le métal de remplissage dans un endroit propre et sec à faible humidité.
- Le panneau de contrôle du soudeur contient de l'information sur la bonne tension et le bon ampérage. Suivre les spécifications sur le panneau avant du soudeur.
- La prise de courant utilisée pour le soudeur doit être mise à la terre correctement et le soudeur doit être le seul appareil de charge sur le circuit.

Les composants de soudure TIG (non inclus avec votre chalumeau TIG WT6100) sont :

1. Une alimentation de courant constante telle que la technologie de convertisseur du soudeur à l'arc Arcitech 110.

2. Une bonbonne de gaz de protection d'argon à 100 %
3. Un régulateur d'argon à bonnes connexions du régulateur au chalumeau TIG.
4. Métal de remplissage
5. Équipe de sécurité approprié comme des gants et un casque de soudure.

Installation :

Connexion du chalumeau à l'alimentation de courant - Le chalumeau WT6100 est fourni avec une fiche de connexion rapide insérée dans une prise NÉGATIVE (-) sur l'alimentation de courant.

La pince de travail est branchée dans une fiche POSITIVE (+) d'alimentation de courant.

Un réglage de début de sortie d'ampères thermique est choisie selon l'épaisseur d'acier à souder (voir le tableau plus bas).

Le gaz de protection d'argon à 100 % est raccordé au chalumeau à une vitesse réglée de 15 à 30 pieds cubes par heure (p³/h). Si vous avez trop peu de gaz, vous verrez de la porosité sur votre soudure. Trop de débit est une perte de gaz.

Le métal de remplissage s'applique à la soudure TIG manuelle tout comme pour la soudure oxyacétylénique (puissance de la flamme). Le métal de remplissage doit être assorti au métal que vous soudez. Pour souder l'acier doux, utilisez un baguette d'acier non revêtue comme un fil MIG E70S-6, Welco W-1200, AWS A5.2-69, catégorie RG60. Le diamètre du métal de remplissage s'appuie sur l'épaisseur du matériau à souder (voir le tableau).

Les électrodes de tungstène sont fournies en une gamme de compositions et de tailles. Puisque le soudeur Arcitech 110 à chalumeau WT6100 est un soudeur TIG à c.c., vous devriez utiliser seulement des électrodes de tungstène thorié à 2 %. Ces électrodes ont une marque d'identification rouge. Le diamètre de l'électrode est déterminé par l'épaisseur du matériau à souder (voir le tableau).

LA TAILLE DE LA PINCE-BARRE ET DU CORPS DE LA PINCE-BARRE DOIVENT ÊTRE ASSORTIS AU DIAMÈTRE DE L'ÉLECTRODE DE TUNGSTÈNE.

Avant d'installer l'électrode de tungstène, vous devez rectifier une pointe de l'extrémité de soudure de l'électrode. Une pointe de 15 à 30 degrés est préférable. Il est important de rectifier la pointe avec des marques de meule le long de la longueur plutôt qu'en direction du diamètre.

Installez l'électrode de tungstène dans le chalumeau en resserrant à la main d'abord le corps du pince-barre et ensuite le capuchon de retour. Installez l'électrode pour que l'extrémité pointue sorte de l'embout, soit environ 3/16 po.

Conseils de soudure pré-TIG:

La soudure TIG est beaucoup plus difficile à maîtriser que toute autre procédure de soudure. Une expérience de soudure avec un chalumeau d'oxyacétylénique (puissance de flamme) aidera beaucoup à apprendre la soudure TIG.

NETTOYEZ l'endroit à souder. Il est impératif que l'endroit soit propre. Il

Tableau de sélection de biens consommables TIG

Épaisseur d'acier	Diamètre d'électrode de tungstène		Diamètre de fil de remplissage		Amp c.c. Réglage
	Pouces	Millimètres	Pouces	Millimètres	
.020" - .040"	.020"	0.5	1/16"	1.6	2 - 20
.040" - 1/16"	.040"	1	1/16"	1.6	10 - 75
1/16" - 1/8"	1/16"	1.6	1/16"	1.6	60 - 150
1/8" - 3/16"	5/64"	2	3/32"	2.4	100 - 200
3/16" - 1/4"	3/32"	2.4	1/8"	3.2	170 - 250

Modèle WT6100



Figure 4 - Tungstène doit sortir de 3/16 po



Figure 5- Installaton de coupelle de retour

est impossible d'avoir un métal de base trop propre. Il n'y a aucun flux pour enlever par flottage avec la procédure TIG.

Couper les tiges de métal de remplissage pour avoir des longueurs plus courtes

pour faciliter le contrôle. Le métal de remplissage TIG est normalement fourni en longueurs de 36 po (91,44 cm). Il est plus facile de manipuler le métal s'il est de 18 (45,7 cm) ou 12 po (30,48 cm). Nettoyer le métal de remplissage avec de l'alcool et un chiffon blanc propre. La poussière et la saleté contaminent une soudure.

La soudure TIG produit moins de lumière que d'autres processus de soudure à l'arc, mais vous devez quand même utiliser une lentille de soudure minimum #10 pour protéger vos yeux.

Choisir une position confortable pour la soudure, assis, les bras supportés par une table de soudure ou par la pièce de travail.

Amorçage d'arc :

Mettre le soudeur en marche et les soupapes de gaz sur la bonbonne de gaz, le régulateur et le chalumeau.

Reposer l'embout du chalumeau sur le métal de base à souder sans que l'électrode de tungstène ne touche le métal de base.

Tourner le chalumeau pour que l'électrode de tungstène touche délicatement le métal de base et retirer immédiatement ou tourner pour couper lorsque l'arc s'allume.

Garder le tungstène de 1/8 à 3/16 po (0,31 à 0,47 cm) de la pièce de travail

tout en maintenant l'arc.

Au fur et à mesure où le métal devient chaud, il se transforme en flaque de fusion orange brillant. Tremper la tige de métal de remplissage dans la flaque pour ajouter le métal de remplissage. filler metal.

Conseils de soudure TIG :

Toujours laisser la baguette de métal de remplissage à faire fondre par la flaque de fusion. NON par le chalumeau.

Ne jamais toucher l'électrode de tungstène chaude sur la flaque de fusion. L'acier en fusion sera saisi par le tungstène ce qui contaminera l'électrode.

Lorsque vous contaminez le tungstène avec l'acier, cesser de souder et rectifier la pointe de l'électrode en retirant la contamination de l'acier.

Lorsque vous brûlez un trou par le métal de base, cesser de souder et laisser la soudure refroidir avant de relancer l'arc.

Avant toute soudure TIG importante, pratiquer sur une pièce d'essai. La soudure TIG est un art et la pratique améliore la qualité. Il y a beaucoup d'autosatisfaction dans la maîtrise de cette procédure de soudure et dans la vue d'une soudure parfaite.

Identification de l'électrode TIG

Identifcation couleur	Oxyde
Vert	None
Bleu	0.4% ThO ₂
Jaune	1.0% ThO ₂
Rouge	2.0% ThO ₂
Violet	3.0% ThO ₂
Orange	4.0% ThO ₂
Brun	0.3% ZrO ₂
Blanc	0.8% ZrO ₂
Noir	1.0% LaO ₂
Grus	2.0% CeO ₂

Paramètres TIG recommandés pour les électrodes optionnelles.

Diamètre d'électrode		Courant direct (amps)				Courant alternatif (amps)	
		Électrode Négative Polarité		Électrode positive Polarité			
(in)	(mm)	Pure Tungstène	Tungstène avec Oxydes	Pure Tungstène	Tungstène avec Oxydes	Pure Tungstène	Tungstène avec Oxydes
0.02	0.5	2-20	2-20	N/D	N/D	2-15	2-15
0.04	1.0	10-75	10-75	N/D	N/D	15-55	15-70
1/16	1.6	40-130	60-150	10-20	10-20	45-90	60-125
5/64	2.0	75-180	100-200	15-25	15-25	65-125	85-160
3/32	2.4	130-230	170-250	17-30	17-30	80-140	120-210
1/8	3.2	160-310	225-330	20-35	20-35	150-190	150-250
5/32	4.0	275-450	350-480	35-50	35-50	180-260	240-350
3/16	5.0	400-625	500-675	50-70	50-70	240-350	330-460
1/4	6.3	550-875	650-950	65-100	65-100	300-450	430-575

Lexique De Termes De Soudage

Courant Alternatif ou c.a. - courant électrique qui change de direction périodiquement. Le courant à soixante cycles voyage dans les deux directions soixante fois par seconde.

Longueur de L'Arc - La distance du bout de l'électrode jusqu'au point où l'arc contacte la surface de travail.

Métal Commun - le matériel qui doit être soudé.

Joint en Bout - un joint entre deux pièces qui sont alignées approximativement dans le même plan.

Cratère - une flaque ou poche qui est produite quand l'arc contacte le métal.

Courant Continu ou c.c. - courant électrique d'une direction seulement. La polarité (+ ou -) détermine la direction du courant.

Polarité Inversée c.c. - quand le porte-électrode est branché au pôle positif du soudeur. La Polarité Inversée dirige plus de chaleur dans l'électrode plutôt que sur l'objet de travail pour l'utilisation sur les matériaux plus minces.

Polarité Ordinaire c.c. - quand le porte-électrode est branché au pôle négatif du soudeur. Plus de chaleur est dirigé vers l'objet de travail pour meilleur pénétration des matériaux épais.

Électrode - un fil en métal enrobé ayant approximativement la même composition du matériel qui doit être soudé.

Soudure en Cordon - dimension approx. d'un triangle, profil en travers, qui uni les deux surfaces à angles droits en soudure à recouvrement, en T ou en coin.

Flux - un enduit qui produit un gaz protecteur autour de l'endroit de soudage. Ce gaz protège les métaux contre les polluants dans l'air.

Soudure À L'Arc Fourré de Flux - ou Sans-gaz est une méthode de soudage utilisée avec un soudeur à alimentation en fil. Le fil de soudage est tubulaire avec du flux à l'intérieur pour protection.

Soudure À L'arc au chalumeau - est une méthode utilisée avec un soudeur à alimentation en fil. Le fil est solide et un gaz inerte est utilisé pour protection.

Soudure À L'Arc Tungstène au chalumeau - est une méthode de soudage utilisée avec de l'équipement de soudage qui a une génératrice à haute fréquence. L'arc est crée entre un électrode tungstène non-usable et l'objet de travail. Du bouche-pores peut être utilisé.

Soudure à Recouvrement - un joint entre deux pièces en chevauchement.

MIG - voir « soudage à l'arc sous gaz avec fil plein ».

Tension au Repos - la tension entre l'électrode et le collier de mise à la terre du soudeur quand il n'y a pas de flux de courant (pas de soudage). Ceci détermine la vitesse auquel l'arc est amorcé.

Chevauchement - se produit quand l'ampérage est trop basse. En ce cas, le métal fondu tombe de l'électrode sans se fuser dans le métal commun.

Porosité - des soufflures, ou creux formés pendant la solidification de la soudure qui affaiblissent la soudure.

Pénétration - la profondeur que la chaleur affecte l'objet pendant la soudure. Une soudure de haute qualité est celle qui atteint une pénétration de 100%. C'est à dire que l'objet de travail en entier a été chauffé et solidifié à nouveau. Les endroits affectés par la chaleur devraient être visibles sur le sens inverse de la soudure.

Soudure À L'Arc Au Métal Enrobé - est une méthode de soudage qui utilise une électrode usable pour soutenir un arc. L'enduit de flux fondu sur l'électrode fournit la protection.

Scorie - une couche d'encrassement de flux qui protège la soudure des oxydes et autres polluants pendant le refroidissement de la soudure. Enlever la scorie après que la soudure s'est refroidie.

Bavure - particules métalliques volantes qui se refroidissent sur la surface de travail. La bavure peut être diminuée si vous utilisez un agent vaporisateur qui résiste la bavure sur l'objet de travail avant de souder.

Baguette - voir « soudage à l'arc avec électrode enrobée »

Point de Soudure - une soudure utilisée pour tenir les pièces en alignement jusqu'à ce que les soudures actuelles sont faites.

TIG - voir « soudage à l'électrode de tungstène ».

L'Angle de Déplacement - l'angle de l'électrode dans la ligne de soudure. Ceci est variable, de 5° à 45° selon les conditions.

Joint en T - placer le bord d'un morceau de métal sur l'autre à un angle de 90°.

Caniveau - une condition résultant d'un ampérage trop haut qui produit une rainure dans le métal commun le long des deux côtés du cordon de soudure et sert à affaiblir la soudure.

Flaque de Soudure - un volume de métal fondu dans une soudure avant son solidification.

Cordon de Soudage - une couche(s) étroite de métal placé sur le métal commun pendant que l'électrode fond. Le cordon de soudage est typiquement deux fois le diamètre de l'électrode.

Angle de Travail - l'angle de l'électrode à angle droit de la ligne de soudure. électrode.

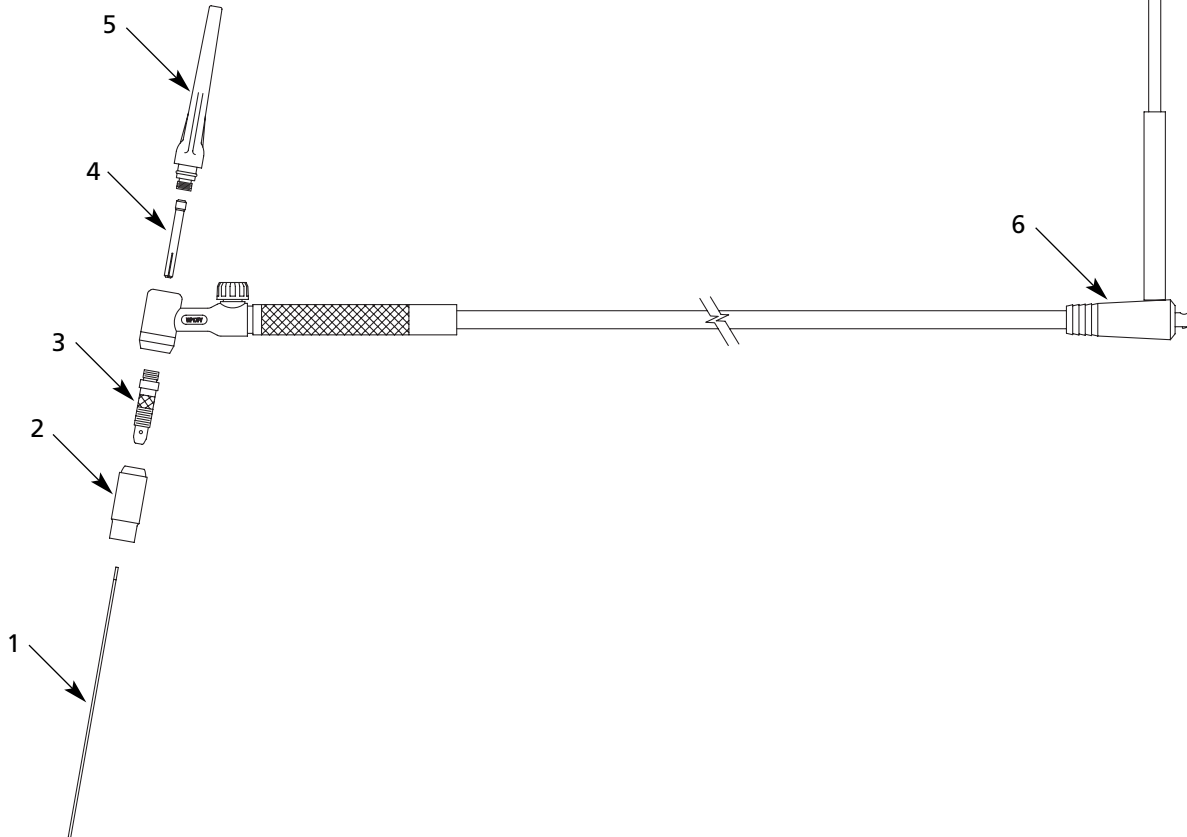
WT6100

S'il vous plaît fournir l'information suivante:

- Numéro du modèle
- Numéro de série (si présent)
- Description de la pièce et son numéro sur la liste de pièces

Correspondence:

The Campbell Group
Attn: Parts Department
100 Production Drive
Harrison, OH 45030 U.S.A.



Pour Pièces de Rechange, appeler 1-800-746-5641

Liste de Pièces de Rechange

N° de Ref.	Description	Numéro de Pièce	Qté.
1	1,6 mm 2 % électrode de tungstène thorié - (10 par paquet)	WC250033AV	1
2	11,1 mm (7/16 po) DI de l'embout de céramique no 7	WC250123AV	1
3	1,6 mm corps de pince-barre	WC250103AV	1
4	Mandrin 1.6 mm	WC250113AV	1
5	Coupelle de retour	WC250130AV	1
6	Fiche de connexion dinse avec port de gaz	WC250131AV	1

Garantie Limitée

- 1. Durée :** Le fabricant garantit la réparation sans frais pour les pièces ou la main d'oeuvre du chalumeau de soudure ou des câbles qui s'avèrent défectueux au niveau des matériaux ou de la fabrication durant la période suivante après la date d'achat au détail original :
90 jours: le chalumeau de soudure TIG
- 2. Garantie Accordée Par (Garant) :**
Campbell Hausfeld
The Scott Fetzer Company
100 Production Drive
Harrison, OH 45030
Telephone: (513)-367-4811
- 3. Bénéficiaire De Cette Garantie (Acheteur) :** L'acheteur initial du produit Campbell Hausfeld .
- 4. Couverture De La Présente Garantie :** Défauts de matière et de fabrication qui se révèlent pendant la période de validité de la garantie. Cette garantie ne couvre que le chalumeau TIG.
- 5. La Présente Garantie Ne Couvre Pas :**
 - A. Les garanties implicites, y compris celles de commercialisabilité et D'ADAPTION À UNE FONCTION PARTICULIÈRE SONT LIMITÉES EN DURÉE À CETTE GARANTIE. Après cette durée, tout risques de perte, quoi que ce soit, devient la responsabilité de l'acheteur. Certaines Provinces n'autorisent pas de limitations de durée pour les garanties implicites. Les limitations précédentes peuvent donc ne pas s'appliquer.
 - B. TOUT DOMMAGE, PERTE OU DÉPENSE FORTUIT OU INDIRECT POUVANT RÉSULTER DE TOUT DÉFAUT, PANNE OU MAUVAIS FONCTIONNEMENT DU PRODUIT CAMPBELL HAUSFELD. Certaines Provinces n'autorisent pas l'exclusion ni la limitation des dommages fortuits ou indirects. La limitation ou exclusion précédente peut donc ne pas s'appliquer.
 - C. Les accessoires qui sont compris avec le produit et qui sont soumis à l'usure par l'usage normal; la réparation ou le remplacement de ces objets sont la responsabilité de l'acheteur. Ces pièces TIG comprennent, mais ne sont pas limités à; Tungstène, pince-barre, corps de pince-barre, embouts de céramique. Additionnellement, cette garantie ne comprend pas le dommage causé par le remplacement ou entretien prématuré des pièces USABLES précédentes.
 - D. Toute panne résultant d'un accident, d'une utilisation abusive, de la négligence ou d'une utilisation ne respectant pas les instructions données dans le(s) manuel(s) accompagnant le produit.
 - E. Service avant livraison, i.e. montage et ajustement.
- 7. Responsabilités Du Garant Aux Termes De Cette Garantie :** Réparation ou remplacement, au choix du Garant, des produits ou pièces qui se sont révélés défectueux pendant la durée de validité de la garantie.
- 8. Responsabilités De L'Acheteur Aux Termes De Cette Garantie :**
 - A. Livraison ou expédition du produit ou pièce Campbell Hausfeld à Campbell Hausfeld. Taux de frais , si applicable, sont la responsabilité de l'acheteur.
 - B. Utilisation et entretien du produit avec un soin raisonnable, ainsi que le décrit le(s) manuel(s) d'utilisation.
- 9. Réparation ou Remplacement Effectué Par Le Garant Aux Termes De La Présente Garantie :** La réparation ou le remplacement sera prévu et exécuté en fonction de la charge de travail dans le centre d'entretien et dépendra de la disponibilité des pièces de rechange.

Cette garantie limitée confère des droits précis. L'acheteur peut également jouir d'autres droits qui varient d'une Province à l'autre.

Sírvase leer y guardar estas instrucciones. Lea con cuidado antes de tratar de armar, instalar, manejar o darle servicio al producto descrito en este manual. Protéjase Ud. y a los demás observando todas las reglas de seguridad. El no seguir las instrucciones podría resultar en heridas y/o daños a su propiedad. Guarde este manual como referencia.



Soplete TIG



Figura 1 - Componentes y controles de la soldadora

Descripción

El soplete TIG WT6100 le permite convertir su soldadora Arcitech 110 de tecnología de inversión a una soldadora TIG (GTAW). TIG (por su sigla en inglés) significa gas inerte de tungsteno. GTAW (por su sigla en inglés) significa soldadora de arco con gas tungsteno. TIG también se denomina comúnmente soldadura Heliarc®, pero Heliarc® es un nombre de marca de Linde Company, no es un proceso. Heliarc® deriva de soldadura de arco con helio, pues el helio es un gas inerte que se utiliza para evitar las impurezas en la soldadura. Actualmente la mayoría de las soldaduras TIG se realizan con gas de protección argón al 100%.

La soldadura TIG ofrece una de las soldaduras más hermosas y limpias con la mayor precisión y control. Es el mejor proceso para soldar entre sí artículos de tamaños diferentes. El inconveniente de la soldadura TIG es que requiere un alto nivel de experiencia y es lenta.

Frecuentemente la soldadura TIG utiliza aluminio para soldar, sin

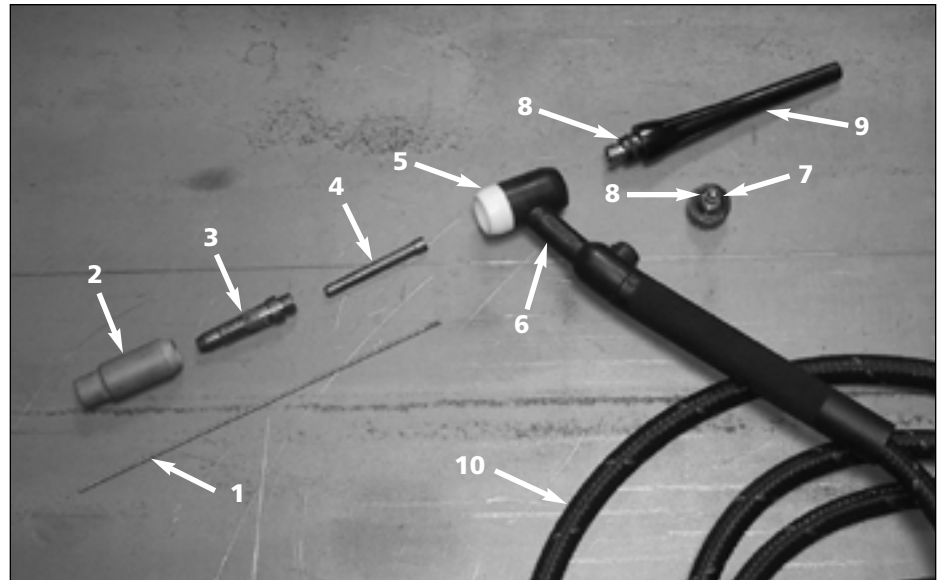


Figura 2

embargo, la soldadura de aluminio con TIG requiere una fuente de energía de CA de alta frecuencia. La soldadora Campbell Hausfeld Arcitech 110 tiene salida sólo para CC, por lo tanto no puede soldar con aluminio usando el proceso TIG.

Para desempacar

Al desempacar este producto, revíselo con cuidado para cerciorarse de que esté en perfecto estado. Igualmente, cerciórese de apretar todos los pernos, tuercas y conexiones antes de usarlo.

⚠ ADVERTENCIA La pinza que sostiene el electrodo tiene "tensión" (podría conducir electricidad) mientras la máquina está encendida.

Componentes del soplete TIG WT6100:

1. Electrodo de tungsteno toriado al 2% - 1,6 mm (1/16")
2. Boquilla N°7 para usar con el

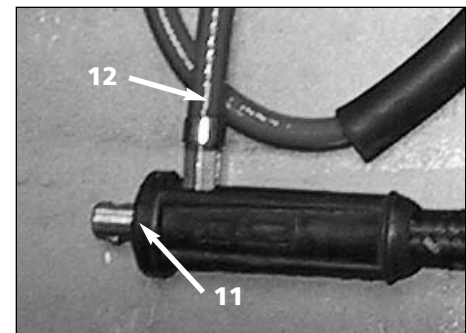


Figura 3

- electrodo de 1,6 mm (1/16")
3. Cuerpo de la boquilla - corresponde con el tamaño del electrodo (1,6mm)
4. Casquillo - corresponde con el tamaño del electrodo (1,6 mm)
5. Aislante
6. Cabeza del soplete
7. Válvula de gas
8. Anillos en O (para la válvula de gas y el capuchón trasero)

RECORDATORIO: ¡Guarde su comprobante de compra con fecha para fines de la garantía! Adjúntela a este manual o archívela en lugar seguro.

Soplete de soldadura por arco GTAW

9. Capuchón trasero
10. Manguera del soplete de 31,7 cm (12,5 pies)
11. Conector de energía con enchufe Dinse (se conecta a la salida negativa (-) en la soldadora)
12. Conector de gas (se conecta al regulador de gas en el tanque de argón al 100%)

Informaciones Generales de Seguridad

PELIGRO Esto le indica una situación que le ocasionará heridas graves o la muerte si ignora lo advertido.

ADVERTENCIA Esto le indica una situación que podría ocasionarle heridas graves o la muerte si ignora lo advertido.

PRECAUCION Esto le indica una situación que puede ocasionarle heridas si ignora lo advertido. También le puede indicar una situación que ocasionaría daños a su propiedad solamente.

Nota: le indica cualquier otra información adicional en relación al producto o su uso adecuado.

ADVERTENCIA Siempre mantenga un extinguidor de incendio accesible cuando esté soldando con arcos eléctricos.

- Antes de encender o darle servicio a las soldadoras eléctricas de arco, debe leer y comprender todas las instrucciones. El no seguir las advertencias o instrucciones que le damos en este manual le podría ocasionar daños al equipo, y/o heridas graves e inclusive la muerte. Para recibir mayor información, solicite una copia del estándar Z49.1 de la ANSI Titulado - Seguridad al soldar y cortar. Esta publicación la puede ordenar (en inglés) a la American Welding Society, 550 NW. LeJune Rd., Miami, FL 33135.
- La instalación, mantenimiento, reparación y operación de esta soldadora debe ser hecho por una

persona calificada según los códigos nacionales, estatales y locales.

ADVERTENCIA

!El uso inadecuado de soldadoras eléctricas de arco podría ocasionarle electrocución, heridas y la muerte! Siguiendo nuestras advertencias reducirá las posibilidades de electrocución.



- Cerciórese de que todos los componentes de la soldadora de arco estén limpios y en buen estado antes de utilizarla. Cerciórese de que los aislantes en todos los cables, pinzas para sostener electrodos y cordones eléctricos no estén dañados. Siempre repare o reemplace las piezas dañadas antes de utilizar la soldadora. Siempre mantenga todas las tapas de la soldadora en su lugar mientras la esté utilizando.
- Siempre use ropa adecuada y que esté seca, guantes para soldadores y zapatos aislantes.
- Use la soldadora sólo en áreas limpias, secas y bien ventiladas. No la use en áreas húmedas, mojadas, a la intemperie o que no estén bien ventiladas.
- Antes de comenzar a soldar cerciórese de que la pieza esté bien fija y conectada a tierra.
- Debe desenrollar el cable para soldar para evitar que se sobrecaliente y se le dañe el forro aislante.

PELIGRO Nunca sumerja el electrodo ni el soplete en agua. Si la soldadora se moja por cualquier motivo, ¡cerciórese de que esté completamente seca antes de tratar de usarla!

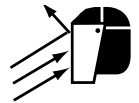
- Antes de tratar de moverla a otro sitio siempre apáguela y desconéctela.
- La conexión a tierra debe hacerse de último.
- Cerciórese de que la conexión a tierra esté bien hecha.
- Siempre apague la soldadora y sáquele el electrodo cuando no esté trabajando.
- Nunca toque el electrodo y la tierra o pieza conectada a tierra al mismo

tiempo.

- Las posiciones poco comunes le pueden ocasionar peligro de electrocución. Al estar en cuclillas, arrodillado o en alturas, cerciórese de aislar todas las piezas que puedan conducir electricidad, use ropa adecuada para soldar y tome precauciones para no caerse.
- Nunca trate de usar este equipo con corrientes eléctricas o ciclajes diferentes a los especificados en las etiquetas.
- Nunca use una soldadora eléctrica para descongelar tuberías que se hayan congelado.

ADVERTENCIA

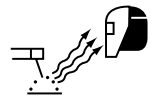
Las chispas y el metal caliente le pueden ocasionar heridas. Cuando la pieza que soldó se enfríe la escoria podría desprenderse. Tome todas las precauciones descritas en este manual para reducir las posibilidades de que sufra heridas por estas razones.



- Sólo use máscaras aprobadas por la organización norteamericana ANSI o anteojos de seguridad con protección lateral al tratar de cortar o esmerilar piezas de metal.
- Si va a soldar piezas que estén por encima de usted debe protegerse los oídos para evitar que le caigan residuos adentro.

ADVERTENCIA

Al soldar con arcos eléctricos se producen luces intensas, calor y rayos ultravioletas. Estos le podrían ocasionar heridas en la vista y la piel. Tome todas las medidas de precaución descritas en este manual para reducir las posibilidades de heridas en la vista o la piel.



- Todos los operadores o personas que se encuentren en el área de trabajo mientras estén usando el equipo deben usar la vestimenta adecuada incluyendo: máscara de soldador con los niveles de oscuridad especificados en la tabla a continuación, ropa resistente al fuego, guantes de cuero para soldar y zapatos de protección.

Modelo WT6100

Corriente (Amps)	Oscuridad
Hasta 160 Amps	10
de 160 a 250 Amps	12

⚠️ ADVERTENCIA

Nunca mire hacia el área donde esté soldando sin protegerse la vista tal como se ha descrito anteriormente. Nunca use lentes oscuros que estén partidos, rotos o de un número menor a 10. Debe advertirle a otras personas en el área que no deben mirar el arco.

⚠️ ADVERTENCIA

Al soldar con arcos eléctricos puede causar chispas y calentar el metal a temperaturas que le podrían ocasionar quemaduras graves! Use guantes y ropa de protección para hacer este tipo de trabajo. Tome todas las medidas de precaución descritas en este manual para reducir las posibilidades de quemarse la piel o la ropa.



- Cerciórese de que todas las personas que se encuentren en el área de trabajo estén protegidas contra el calor, las chispas, y los rayos ultravioletas. Igualmente debe utilizar protecciones adicionales cuando sea necesario.
- Nunca toque las piezas que ha soldado hasta que éstas se hayan enfriado.

⚠️ ADVERTENCIA

El calor y las chispas producidas al soldar con arcos eléctricos y otros trabajos con metales podrían encender materiales inflamables o explosivos! Tome todas las medidas de precaución descritas en este manual para reducir las posibilidades de llamas o explosiones.



- Mueva todos los materiales inflamables que se encuentren en un radio de 35 pies (10,7 metros) del arco de soldadura. Si no lo puede hacer, deberá cubrirlos con algún material que los aisle del fuego.
- No use una soldadora eléctrica de arco en áreas donde pueda haber vapores inflamables o explosivos.
- Tome todas las precauciones

necesarias para evitar que las chispas y el calor ocasionen llamas en áreas poco accesibles, ranuras, detrás de divisiones, etc.

⚠️ ADVERTENCIA

Peligro de incendio! Nunca debe soldar envases o tuberías que contengan o hayan contenido materiales inflamables o combustibles gaseosos o líquidos.



⚠️ ADVERTENCIA

Al soldar con arcos eléctricos cilindros cerrados o tambores podría ocasionar explosiones si no están bien ventilados! Cerciórese de que cualquier cilindro o envase que vaya a soldar tenga un orificio de ventilación para que los gases puedan liberarse.



⚠️ ADVERTENCIA

No debe respirar los gases emitidos al soldar con arcos eléctricos. Estos son peligrosos. Si no puede ventilar bien el área de trabajo, deberá usar un respirador.



- Mantenga la cabeza y la cara alejada de los gases emitidos.
- No debe soldar con arcos eléctricos metales galvanizados o con capa de cadmio, o aquellos que contengan zinc, mercurio o berilio sin tomar las siguientes precauciones:
 - a. Quitarle la capa al metal.
 - b. Cerciorarse de que el área de trabajo esté bien ventilada.
 - c. Usar un respirador.Estos metales emiten gases sumamente tóxicos al calentarse.

⚠️ ADVERTENCIA

El campo electromagnético generado al soldar con arcos eléctricos podría interferir con el funcionamiento de varios artefactos eléctricos y electrónicos tales como marcapasos. Aquellas personas que usen estos artefactos le deben consultar a su médico antes de soldar con arcos eléctricos.

- Coloque los electrodos y cables en la misma línea y únalos con cinta pegante cuando sea posible.
- Nunca se enrolle los cables de la soldadora en el cuerpo.
- Siempre coloque los electrodos y las

conexiones a tierra del mismo lado.

- El exponerse a campos electromagnéticos al soldar con arcos eléctricos le podría ocasionar otros problemas de salud desconocidos hasta el momento.

⚠️ ADVERTENCIA

Cerciórese de que el área de trabajo este libre de peligros (chispas, llamas, metales al rojo vivo o escorias) antes de irse. Cerciórese de que ha apagado la soldadora y le ha quitado el electrodo. Cerciórese de que los cables estén enrollados y almacenados. Cerciórese de que tanto el metal como la escoria se hayan enfriado.

MEDIDAS DE SEGURIDAD ADICIONALES

Aquellas personas que vivan y trabajen en los Estados Unidos deben percatarse de que según las leyes de este país los siguientes códigos aplican para el trabajo con soldadoras: ANSI Standard Z49.1, OSHA 29 CFR 1910, NFPA Standard 70, CGA Pamphlet P-1, CSA Standard W117.2, NFPA Standard 51B ANSI Standard Z87.1. Aquellas personas que residan en países latinoamericanos deben consultar los códigos y regulaciones que se apliquen en sus respectivos países.

Instalación

UBICACIÓN

Al ubicar la soldadora en un sitio adecuado puede aumentar el rendimiento y la fiabilidad de la soldadora de arcos eléctricos.

- Para obtener mejores resultados debe colocar la soldadora en un área que esté limpia y seca. No la coloque en áreas muy calientes, o que estén expuestas a mucha humedad, polvo o gases corrosivos. El exceso de humedad ocasiona que ésta se condense en las piezas eléctricas. La humedad puede contribuir al óxido y cortocircuito. El polvo y las impurezas en la soldadora acumulan la humedad y aumenta el desgaste de las piezas que se mueven.
- Coloque la soldadora en un área donde haya por lo menos 12 pulgadas (305mm.) de espacio para

Soplete de soldadura por arco GTAW

ventilación tanto al frente como en la parte posterior de la unidad. Esta área de ventilación se debe mantener libre de obstrucciones.

- Guarde los electrodos y el metal de aportación en una ubicación limpia, seca y con un bajo nivel de humedad.
- El panel de control de la soldadora contiene información con respecto a la entrada correcta de voltaje y amperaje. Siga las especificaciones que se encuentran en el panel frontal de la soldadora.
- El tomacorrientes que use para conectar la soldadora debe estar conectado a tierra adecuadamente y la soldadora debe ser el unico artefacto conectado a este circuito.

Los componentes de la soldadura TIG (que no se incluyen con su soplete TIG WT6100) son:

1. Una fuente de corriente constante como por ejemplo una soldadora de arco Arcitech 110 de tecnología invertida.
2. Un tanque de gas de protección de argón al 100%
3. Un regulador de argón con las conexiones adecuadas desde el regulador al soplete TIG.
4. Metal de aportación
5. Equipo de seguridad adecuado como casco y guantes para soldar.

Preparación:

Conexión del soplete a la fuente de energía: el soplete WT6100 se

proporciona con un enchufe Dinse de conexión rápida en el receptáculo NEGATIVO (-) de la fuente de energía.

La pinza de trabajo se enchufa en el receptáculo POSITIVO (+) de la fuente de energía.

Se selecciona un valor de amperaje de salida de calor inicial basándose en el espesor del acero a ser soldado (ver la tabla a continuación).

Se conecta el gas de protección 100% argón al soplete a una velocidad regulada de 15 - 30 pies cúbicos por hora (cfh). Si tiene muy poco gas, verá porosidad en su soldadura. Un flujo demasiado abundante es un gasto inútil de gas.

El metal de aportación se aplica a la soldadura TIG mediante alimentación manual como se hace con la soldadura con llama oxiacetilénica. El metal de aportación debe coincidir con el material que está soldando. Para soldar acero dulce, use una varilla de acero sin enchapar como por ejemplo Welco W-1200, AWS A5.2-69, clase RG60, o alambre MIG E70S-6. El diámetro del metal de aportación está basado en el espesor del material a ser soldado (Ver tabla).

Los electrodos de tungsteno vienen en una variedad de composiciones y tamaños. Como la soldadora Arcitech 110 con soplete WT6100 es una soldadora TIG de CC, se deben usar únicamente electrodos de tungsteno toriado al 2%. Estos electrodos tienen una marca de identificación roja. El diámetro del electrodo está

determinado por el grosor del material a ser soldado (ver tabla).

EL DIÁMETRO DE LA BOQUILLA Y DEL CUERPO DE LA BOQUILLA DEBEN CORRESPONDER CON EL DIÁMETRO DEL ELECTRODO DE TUNGSTENO.

Antes de instalar el electrodo de tungsteno debe pulir un punto en el extremo de soldar del electrodo. Se prefiere un punto de 15 - 30 grados. Es



Figura 4 - El tungsteno debe sobresalir 0,5 cm (3/16'')



Figura 5 - Instale capuchón trasero

importante pulir el punto haciendo que

Tabla de selección de insumos TIG

Grosor del acero	Diámetro del electrodo de tungsteno		Diámetro del alambre de aportación		Amp. CC Ajuste
	Pulgadas	Milímetros	Pulgadas	Milímetros	
0,020" - 0,040"	0,020"	0.5	1/16"	1,6	2 - 20
0,040" - 1/16"	0,040"	1	1/16"	1,6	10 - 75
1/16" - 1/8"	1/16"	1,6	1/16"	1,6	60 - 150
1/8" - 3/16"	5/64"	2	3/32"	2,4	100 - 200
3/16" - 1/4"	3/32"	2.4	1/8"	3,2	170 - 250

Modelo WT6100

las marcas de pulido queden a lo largo en lugar de hacerlo en la dirección del diámetro.

Instale manualmente el electrodo de tungsteno en el soplete apretando primero el cuerpo de la boquilla y luego el capuchón trasero. Instale el electrodo de modo que el extremo afilado sobresalga de la boquilla aproximadamente 0,5 cm (3/16").

Consejos previos a la soldadura TIG:

La soldadura TIG es mucho más difícil de aprender que otros procesos para soldar. Tener una vasta experiencia con un soplete de llama oxietilénica ayudará en gran forma para aprender la soldadura TIG.

LIMPIE el área a soldar. La limpieza es un requisito fundamental. El metal de base nunca estará demasiado limpio. Con el proceso TIG no existe un fundente para eliminar las impurezas hacia la superficie.

Corte las varillas del metal de aportación a longitudes menores para lograr un mejor control. El metal de aportación TIG generalmente viene en largos de 91 cm (36 pulg.) Es mucho más fácil manejarlos si son de 45 ó 30 cm (18 ó 12 pulg.). Limpie el metal de aportación con alcohol y un paño

blanco limpio. La suciedad y el polvo contaminan una soldadura.

La soldadura TIG produce menos luz que otros procesos de soldadura de arco, pero aún debe usar lentes oscuros para soldar para proteger sus ojos.

Colóquese en una posición cómoda para soldar. Sentado con sus brazos apoyados en una mesa de soldar o en la pieza de trabajo.

Establecimiento de un arco:

Encienda la soldadora y las válvulas de gas en el tanque de gas, el regulador y el soplete.

Apoye la boquilla del soplete en el metal de base a ser soldado sin que el electrodo de tungsteno toque el metal de base.

Gire el soplete de modo que el electrodo de tungsteno toque suavemente el metal de base y levántelo inmediatamente o gírelo separándolo al encenderse el arco.

Mantenga el tungsteno a una distancia de 0,3 - 0,5 cm (1/8 - 3/16 pulg.) de la pieza de trabajo mientras mantiene el arco.

A medida que el metal se caliente, se volverá una masa líquida fundida de color anaranjado brillante. Sumerja la varilla del metal de aportación en esta

masa fundida para agregar el metal de aportación.

Consejos mientras realiza la soldadura TIG:

Siempre deje que la varilla del metal de aportación sea derretida por la masa fundida. NO por el soplete.

Nunca deje que el electrodo de tungsteno caliente toque la masa fundida. El acero fundido será absorbido por el tungsteno, contaminando así el electrodo.

Cuando contamine el tungsteno con acero, deje de soldar y vuelva a pulir el punto del electrodo eliminando la contaminación del acero.

Cuando haga un orificio a través del metal de base, pare de soldar y deje que la soldadura de enfíe antes de reiniciar el arco.

Antes de realizar una soldadura TIG importante, practique en una pieza de prueba. La soldadura TIG es un arte, y la práctica mejora la calidad. Se siente mucha satisfacción personal al dominar este proceso de soldar y observar una soldadura perfecta.

Identificación del electrodo TIG

Color de identificación	Óxido
Verde	Ninguno
Azul	0,4% ThO ₂
Amarillo	1,0% ThO ₂
Rojo	2,0% ThO ₂
Violeta	3,0% ThO ₂
Anaranjado	4,0% ThO ₂
Marrón	0,3% ZrO ₂
Blanco	0,8% ZrO ₂
Negro	1,0% LaO ₂
Gris	2,0% CeO ₂

Parámetros TIG recomendados para electrodos opcionales

Diámetro del electrodo		Corriente directa (amp.)				Corriente alterna	
		Electrodo de polaridad negativa		Electrodo de (amp.) polaridad positiva			
(pulg.)	(mm)	Tungsteno puro	Tungsteno con óxidos	Tungsteno puro	Tungsteno con óxidos	Tungsteno puro	Tungsteno con óxidos
0,02	0,5	2-20	2-20	N/A	N/A	2-15	2-15
0,04	1,0	10-75	10-75	N/A	N/A	15-55	15-70
1/16	1,6	40-130	60-150	10-20	10-20	45-90	60-125
5/64	2,0	75-180	100-200	15-25	15-25	65-125	85-160
3/32	2,4	130-230	170-250	17-30	17-30	80-140	120-210
1/8	3,2	160-310	225-330	20-35	20-35	150-190	150-250
5/32	4,0	275-450	350-480	35-50	35-50	180-260	240-350
3/16	5,0	400-625	500-675	50-70	50-70	240-350	330-460
1/4	6,3	550-875	650-950	65-100	65-100	300-450	430-575

Glosario de Terminología usada por soldadores

CA o Corriente Alterna - corriente eléctrica que cambia de dirección periódicamente. Corriente de 60 ciclos se desplaza en ambas direcciones 60 veces por segundo.

Longitud del Arco - la distancia entre el extremo del electrodo y el punto de contacto con la superficie de trabajo.

Metal Básico - el material que se va a soldar.

Unión a tope - la unión de dos miembros alineados aproximadamente en el mismo plano.

Cráter - el vacío que se forma cuando el arco hace contacto con el metal básico.

CD o Corriente Directa - corriente eléctrica que se desplaza en un sólo sentido. La polaridad (+ o -) determina el sentido del desplazamiento.

CD Polaridad Reversa - ocurre cuando el portaelectrodo está conectado al polo positivo de la soldadora. Esta técnica dirige más calor para derretir el electrodo en vez de la pieza de trabajo. Generalmente esta técnica se usa con piezas delgadas.

CD Polaridad Directa - ocurre cuando el portaelectrodo está conectado al polo negativo de la soldadora. Con esta técnica la mayoría del calor se dirige a la pieza de trabajo para lograr una mayor penetración en piezas gruesas.

Electrodo - un alambre de metal con una capa que tiene aproximadamente la misma composición del material que se va a soldar.

Soldadura de Filete - soldadura triangular, para unir dos superficies en ángulo recto, en T o en las esquinas.

Fundente - un material, que al calentarse, emite un gas que cubre el área donde va a soldar. Este gas protege los metales que va a soldar contra las impurezas presentes en el aire.

Soldar con Arcos de Fundente - también se conoce como soldar sin gas, esta técnica para soldar usa una soldadora con alambre. El alambre es tubular y lleno de fundente.

Soldar con Arcos de Metal Gaseoso - es un proceso para soldar usado con una soldadora con alambre. El alambre es sólido y se usa un gas inerte.

Soldar con Arcos de Tungsteno - es un proceso para soldar usado con soldadoras con generadores de alta frecuencia. El arco se crea con un electrodo no-consumible de tungsteno. No necesariamente se usa metal de relleno.

Unión de superposición - la unión de dos miembros superpuestos en planos paralelos.

MIG - vea Soldar con arcos de metal gaseoso.

Voltaje de circuito abierto - el voltaje entre el electrodo y la pinza de conexión a tierra de la soldadora cuando no hay flujo de corriente (no se está soldando). Esto determina la rapidez con que se enciende el arco.

Sobremonta - ocurre si el amperaje es demasiado bajo. En este caso, el metal derretido se cae del electrodo sin haberse unido al metal básico.

Porosidad - cavidad que se forma durante la solidificación del área soldada. Las porosidades debilitan la unión.

Penetración - la profundidad que el arco se penetra dentro de la pieza de trabajo durante el proceso de soldar. Para soldar bien se debe lograr 100% de penetración, es decir todo el grosor de la pieza de trabajo se debe derretir y solidificar. El área afectada por el calor se debe ver fácilmente desde el otro lado.

Soldar con arcos protegidos - es un proceso de soldar que usa un electrodo consumible para sostener el arco. La protección se logra al derretir el fundente del electrodo .

Escoria - una capa de residuo de fundente que protege la unión de óxidos y otros contaminantes mientras los metales se solidifican (enfrian). Esta se debe limpiar una vez que el metal se haya enfriado.

Salpiqueo - las partículas de metal que salpican durante el proceso de soldar y que se solidifican en la superficie de trabajo. Esto se puede minimizar al rociar un repelente adecuado antes de comenzar a soldar.

Stick - vea Soldar con arcos protegidos.

Soldadura de puntos - una unión hecha para mantener las piezas alineadas hasta que se haya completado el proceso de soldar.

TIG - vea Soldar con arcos de tungsteno
Angulo de desplazamiento - el ángulo del electrodo con respecto a la línea a soldar. Este varía entre los 5° y 45° según sean las condiciones.

Unión en T - es la unión del borde de una pieza de metal con la superficie de otra en un ángulo de 90° .

Socavación - el resultado de soldar con un amperaje demasiado alto. Esto ocasiona ranuras en ambos lados de la reborde que reduce la resistencia de la unión.

Sedimento - el volumen de metal derretido al soldar antes de que se solidifique como metal soldado.

Reborde - una capa delgada o capas de metal depositado en el metal básico cuando el electrodo se derrite.

Generalmente su grosor es el doble del diámetro del electrodo.

Angulo de trabajo- el ángulo del electrodo con respecto a la línea horizontal, medido en ángulos rectos a la línea de soldar .

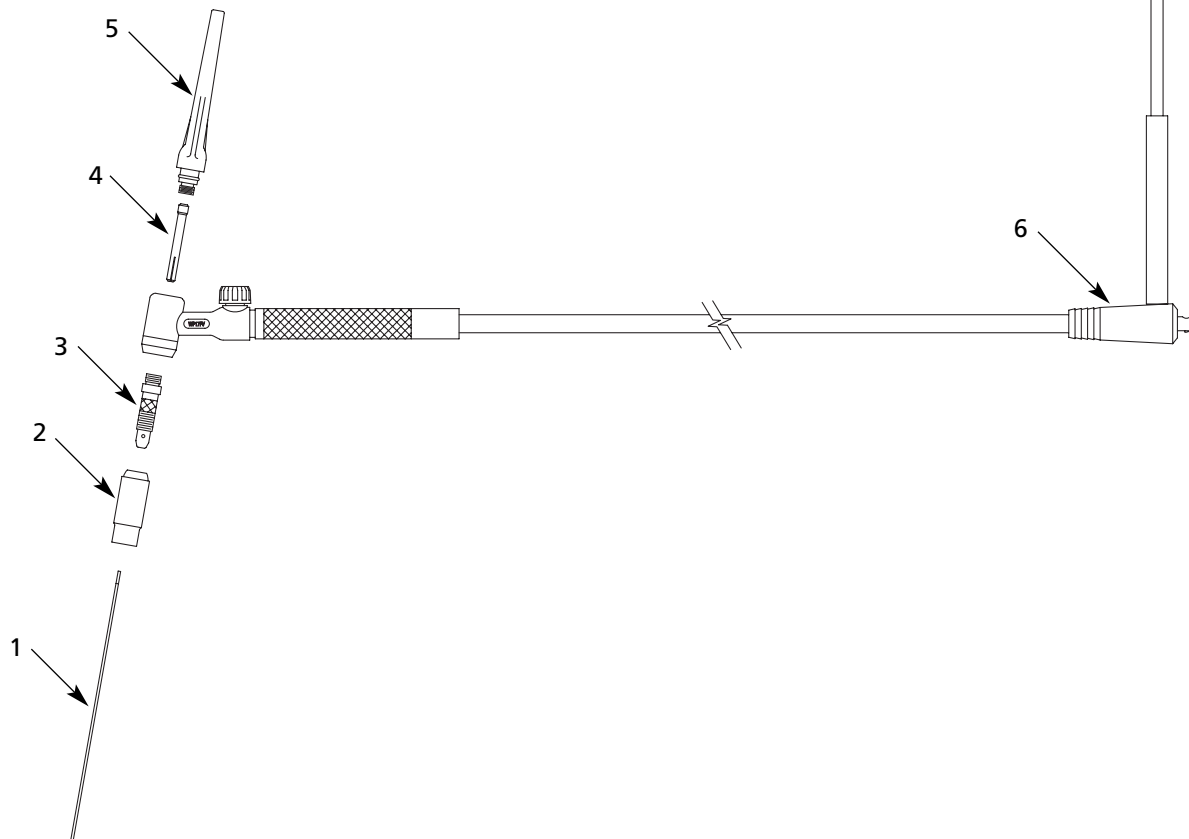
WT6100

Sírvase darnos la siguiente información:

- Número del modelo
- Número de serie (de haberlo)
- Descripción y número del repuesto según la lista de repuestos

Puede escribirnos a:

The Campbell Group
Attn: Parts Department
100 Production Drive
Harrison, OH 45030 U.S.A.



**Para Ordenar Repuestos,
Sírvase llamar al Concesionario más Cercano a su Domicilio**

Lista de Repuestos

No. de Ref.	Descripción	Número del Repuesto	Ctd.
1	Electrodo de tungsteno toriado al 2% de 1,6 mm (10 por paquete)	WC250033AV	1
2	Boquilla de cerámica N°7 con D.I. de 11,1 mm (7/16 pulg.)	WC250123AV	1
3	Cuerpo de la boquilla de 1,6 mm	WC250103AV	1
4	Boquilla de 1.6 mm	WC250113AV	1
5	Capuchón trasero	WC250130AV	1
6	Conector Dinse con puerto de gas	WC250131AV	1

Garantía Limitada

- 1. Duración:** El fabricante garantiza que reparará, sin cargos por piezas o mano de obra, sopletes de soldar, o cables que se prueben que tienen defectos en su material o en la mano de obra, durante el/los siguiente(s) período(s) de tiempo después de la fecha de venta original:
90 días: el soplete de soldar TIG
- 2. QUIEN OTORGA ESTA GARANTIA (EL GARANTE):**
Campbell Hausfeld
The Scott Fetzer Company
100 Production Drive
Harrison, OH 45030
Teléfono: (513)-367-4811
- 3. BENEFICIARIO DE ESTA GARANTIA (EL COMPRADOR):** El comprador original del producto Campbell Hausfeld.
- 4. Cobertura de la garantía:** Defectos en material y fabricación que ocurran dentro del periodo de validez de la garantía. Esta garantía se extiende únicamente para el soplete de soldar TIG.
- 5. Lo que no está cubierto por esta garantía:**
 - A. Las garantías implícitas, incluyendo las garantías de comercialidad y conveniencia para un fin particular SON LIMITADAS A LA DURACION EXPRESA DE ESTA GARANTIA. Después de este periodo, todos los riesgos de pérdida, por cualquier razón, serán la responsabilidad del propietario del producto. En algunos estados no se permiten limitaciones a la duración de las garantías implícitas, por lo tanto, en tal caso esta limitación o exclusión no es aplicable.
 - B. CUALQUIER PERDIDA, DAÑO INCIDENTAL, INDIRECTO O CONSECUENTE O GASTO QUE PUEDA PUEDA RESULTAR DE UN DEFECTO, FALLA O MAL FUNCIONAMIENTO DEL PRODUCTO CAMPBELL HAUSFELD. En algunos estados no se permite la exclusión o limitación de daños incidentales o consecuentes, por lo tanto, en tal caso esta limitación o exclusión no es aplicable.
 - C. Esta garantía no cubre aquellos accesorios que se desgastarán con el uso normal del producto; la reparación o reemplazo de los mismos será la responsabilidad del propietario. Estos artículos TIG incluyen pero no están limitados a: tungsteno, boquilla, cuerpo de la boquilla, boquillas de cerámica. Además, esta garantía no cubre daños que ocurran al reemplazar o darle servicio a las piezas arriba enumeradas.
 - D. Cualquier falla que resulte de un accidente, abuso, negligencia o incumplimiento de las instrucciones de funcionamiento y uso indicadas en el(los) manual(es) que se adjuntan al producto.
 - E. Servicio antes de entrega, por ejemplo ensamblaje y ajustes.
- 7. Responsabilidades del Garante bajo esta Garantía:** Reparar o reemplazar, como lo decida el garante, los productos o componentes defectuosos durante el periodo de validez de la garantía.
- 8. Responsabilidades del Comprador bajo esta Garantía:**
 - A. Entregar o enviar el producto o componente a Campbell Hausfeld. Los gastos de flete, si los hubiere, deben ser pagados por el comprador.
 - B. Ser cuidadoso con el funcionamiento del producto, como se indica en el(los) manual(es) del propietario.
- 9. Cuando efectuará el garante la reparación o reemplazo cubierto bajo esta garantía:** La reparación o reemplazo dependerá del flujo normal de trabajo del centro de servicio y de la disponibilidad de repuestos.

Esta garantía limitada le otorga derechos legales específicos y usted también puede tener derechos que varían de un estado a otro.

Free Manuals Download Website

<http://myh66.com>

<http://usermanuals.us>

<http://www.somanuals.com>

<http://www.4manuals.cc>

<http://www.manual-lib.com>

<http://www.404manual.com>

<http://www.luxmanual.com>

<http://aubethermostatmanual.com>

Golf course search by state

<http://golfingnear.com>

Email search by domain

<http://emailbydomain.com>

Auto manuals search

<http://auto.somanuals.com>

TV manuals search

<http://tv.somanuals.com>