

**Operating Instructions**

**MXS3000**

Please read and save these instructions. Read carefully before attempting to assemble, install, operate or maintain the product described. Protect yourself and others by observing all safety information. Failure to comply with instructions could result in personal injury and/or property damage! Retain instructions for future reference.



# Benchtop Blast Cabinet

## Description

Maxus Benchtop Blast Cabinet is designed for cleaning and removing rust, scale, and paint. It is the ideal method for stripping, polishing and etching projects. A blast cabinet keeps sandblasting particles in a contained area and allows them to be recycled. The cabinet also confines dust particles and a vacuum hook-up can remove any dust that occurs during sandblasting.

## Safety Guidelines

This manual contains information that is very important to know and understand. This information is provided for SAFETY and to PREVENT EQUIPMENT PROBLEMS. To help recognize this information, observe the following symbols.

**▲ DANGER** Danger indicates an imminently hazardous situation which, if not avoided, will result in death or serious injury.

**▲ WARNING** Warning indicates a potentially hazardous situation which, if not avoided, could result in death or serious injury.

**▲ CAUTION** Caution indicates a potentially hazardous situation which, if not avoided, may result in minor or moderate injury.

**NOTICE** Notice indicates important information, that if not followed, may cause damage to equipment.

## Unpacking

After unpacking, carefully inspect for any damage that may have occurred during transit. Check for loose, missing or damaged parts.

## General Safety Information

### CALIFORNIA PROPOSITION 65

**▲ DANGER** You can create dust when you sweep, blast, cut, sand, drill or grind materials such as wood, paint, metal, concrete, cement, or other masonry. This dust often contains chemicals known to cause cancer, birth defects, or other reproductive harm. Wear protective gear.



**▲ DANGER** This product or its power cord contains chemicals, including lead, known to the State of California to cause cancer and birth defects or other reproductive harm. Wash hands after handling.

### SILICA ABRASIVE HAZARD

**▲ DANGER** Breathing dust from abrasives containing silica can be dangerous. Exposure can cause SILICOSIS, lung disease, or other respiratory problems.

Wear NIOSH/MSHA approved respirator at all times when performing abrasive blasting and while cleaning up.

**▲ DANGER** Fire or Explosion Hazard! Never use a sand blaster around combustible or flammable liquids, gases, dusts, oily rags, or other materials that can explode or burn quickly. Some abrasives create sparks when they hit metal. Abrasives similar to aluminum oxide may generate static electric sparks. In an unsafe environment, these sparks will start fires or explosions that will result in death or serious personal injury. For your safety and the safety of people nearby, DO NOT USE this sand blaster where there are combustible or flammable liquids, gases, dusts, oily rags, or other materials that can explode or burn quickly.



Model MXS3000

**▲ CAUTION** Static electric shocks can be painful. Some abrasives similar to aluminum oxide can create static electricity while you are sand blasting. If you are not grounded, the static electricity can build up on your body and cause a shock when you touch a metal object. You can avoid static electricity by wearing leather soled shoes and standing on the ground. If necessary, a grounded wire attached to the sand blast gun will safely remove



## Specifications

Dimensions:

- Footprint: 23 in. W x 19 in. D
- Overall Hgt: 19.25 in.
- Overall Depth: 19.75 in.
- Overall Width: 24.75 in.
- Work Area Hgt: 11.5 in. to 13.5 in.
- Work Area Depth: 18.0 in. to 18.5 in.
- Work Area Width: 21.75 in. to 23.50 in.
- Top Opening: 19.25 in. W x 15.50 in. D

12V fluorescent work light with 120VAC 60Hz input 12V 800mA output Class 2 UL listed power supply

Right Side 1-3/8 in. ID shop vac outlet port with replaceable paper & sponge conical filter

- Max. psi .....125
- Air Inlet .....1/4 in. NPT (F)
- Media Capacity .....2.5 Gallons

REMINDER: Keep your dated proof of purchase for warranty purposes! Attach it to this manual or file it for safekeeping.

## General Safety Information (cont.)

*the static electricity. Remember, you are not grounded if you are insulated from the ground. Rubber soled shoes, rubber boots, or other rubber or plastic footwear are insulators. Avoid standing on dry wood (like a wooden pallet) a dry mat, or dry carpet.*

### GENERAL SAFETY INFORMATION

**⚠ WARNING** *Do not misuse this product. Excessive exposure to vibration, work in awkward positions, and repetitive work motions can cause injury to hands and arms. Stop using any tool if discomfort, numbness, tingling or pain occur, and consult a physician.*

1. Read this instruction manual before connecting this device to the compressor.



2. Safety glasses and a NIOSH/ MSHA approved respirator must be worn during operation and clean up.



3. During operation, do not expose the hands or skin directly in the line of the blast nozzle.
4. After assembly, inspect to make sure all components seal properly.
5. Do not exceed the maximum operating pressure of the blasting equipment (125 psi).

**⚠ WARNING** *Disconnect the cabinet from the air supply before changing accessories or attempting to install, service, relocate or perform any maintenance.*

6. Check hoses and air lines for weak or worn condition before each use. Make sure all connections are secure before use.

**⚠ WARNING** *Do not point the abrasive blaster gun at anyone or objects other than the intended work object.*

7. Do not depress the trigger when connecting the air supply hose.

**⚠ DANGER** *Do not work near flammable liquids. Blasting media striking metal can cause a spark and create a fire or explosion.*

**⚠ WARNING** *Do not spray acids or caustics.*

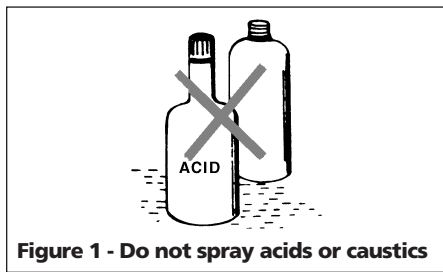


Figure 1 - Do not spray acids or caustics

## Assembly

**Note:** A small (P2) Phillips-Head screwdriver and adjustable wrench are required for assembly.

- Remove cabinet and other pieces from packaging. Make sure there are no missing pieces (see parts list).

### Gun and hoses

- Press other end of AIR hose fully onto barbs of cabinet inlet fitting. Place and securely tighten a small hose clamp around section of hose covering barb.
- Press end of MATERIAL hose fully onto tool material inlet flange. Place and securely tighten a medium hose clamp around section of hose covering flange.
- Press other end of MATERIAL hose about 1 in. - 2 in. onto the small diameter end of the metal diptube. Place and securely tighten a medium hose clamp around section of hose covering diptube.

- Place gun and hose assemblies into cabinet, feeding diptube under the wire mesh parts tray. Place a washer on threaded end of cabinet inlet fitting, then push fitting through the hole on the lower right side of cabinet. Place other washer on the protruding end of the fitting (see Figure 2).

- Apply teflon tape to the threads of the inlet fitting to reduce the possibility of air leaks. Thread the female fitting onto the protruding threads of the cabinet inlet fitting and tighten securely. Make sure the wrench flats of the female fitting abut the cabinet (see Figure 2).

### Door latches

- Place black plastic door latches over the holes on the edges of the cabinet top. Secure each to cabinet top using a 1 in. long bolt and a lock nut. Tighten firmly, but do not overtighten.

### Cabinet filter

- Place round filter sponge in cabinet filter housing. Place filter housing over large hole in rear of cabinet, lining up the holes on the edge of the housing with the posts above and below the cabinet hole. Twist and lock.

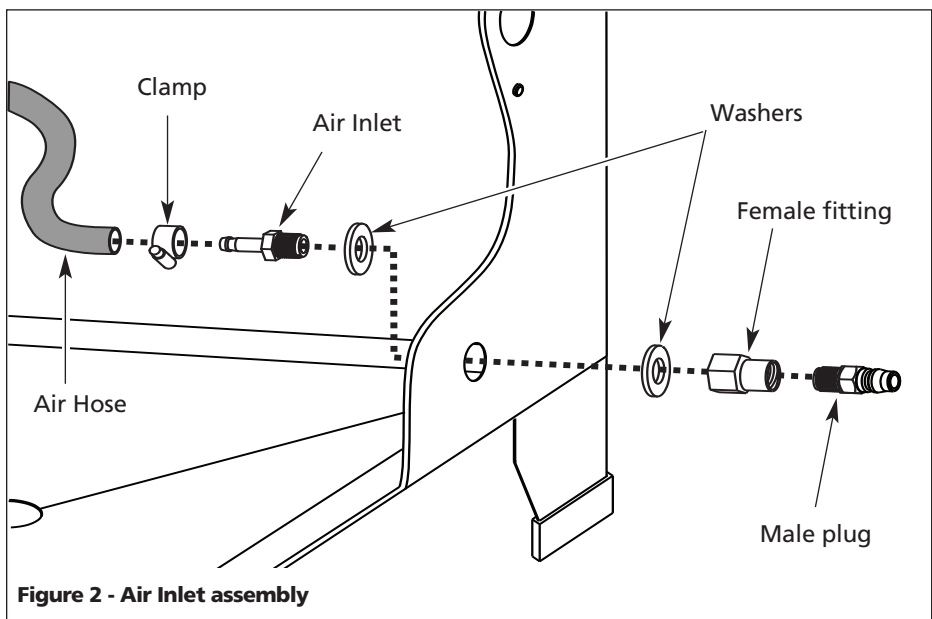


Figure 2 - Air Inlet assembly

## Assembly (cont.)

### Lamp

- Make sure the power supply is not plugged into lamp switch outlet. Place lamp switch box up to free end of lamp cord. Connect flag terminals from the lamp cord to the lamp switch terminals labeled "2" together. The brown wire goes on the top (near the "2"), the blue wire goes directly beneath. Secure lamp switch box to the cabinet using two (2) 5/16 in. long bolts, nuts, and lock washers. Tighten securely.

## Operation

After the blast cabinet is completely assembled, follow these instructions before supplying air to the cabinet.

1. Position cabinet on a table or workbench where you will be performing the work.
2. Connect air supply (max. 125 psi) to the fitting on the side of the cabinet (see Figure 3).

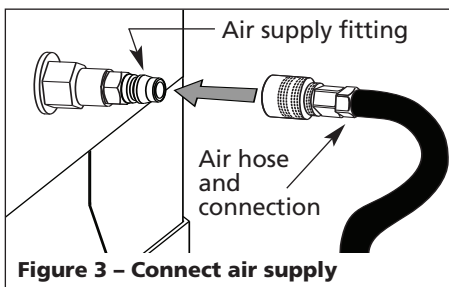
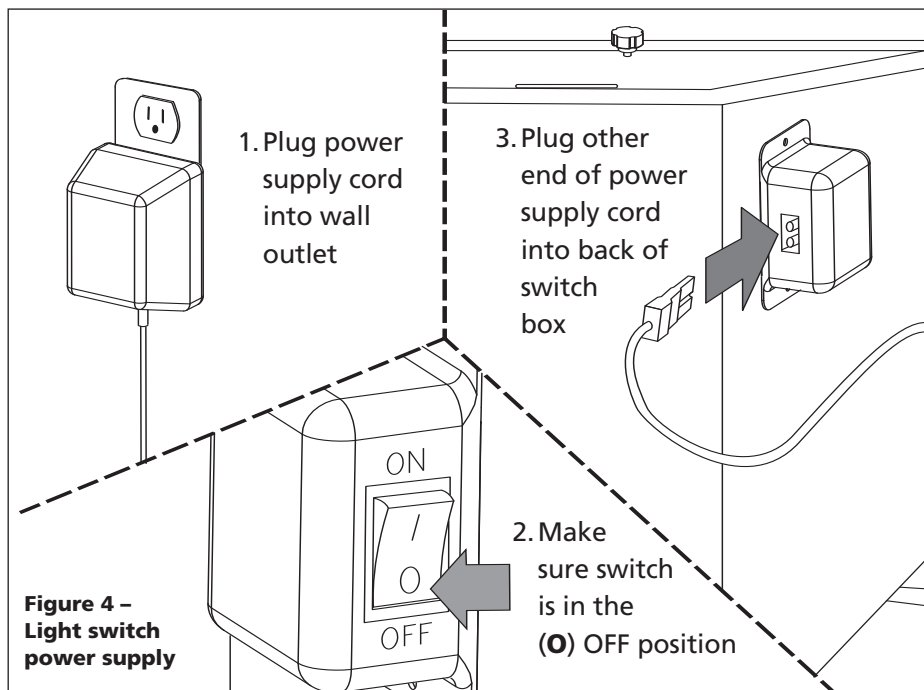
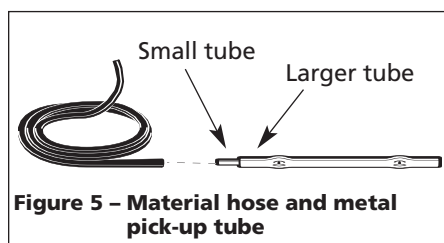


Figure 3 - Connect air supply

3. Check for air leaks. If any are found, repair or add teflon tape if needed.
4. Plug the 12V power supply into a 110V wall outlet (see Figure 4).
5. Making sure the switch is in the (O) OFF position, plug the other end of the 12V power supply cord into the light switch on the cabinet (see Figure 4).
6. Check that the light works. It can be rotated to prevent the light from shining directly into your eyes.
7. Add a plastic window protector (supplied) to the inside surface of the glass door.



8. Make sure the material hose is securely attached to the smaller tube (and does not touch the larger tube) of the metal pick up (see Figure 5).



9. Position the end of the pick up tube in the middle of the cabinet where the blast media will be deepest. There are metal guides to help stabilize the pick-up tube (see Figure 6).

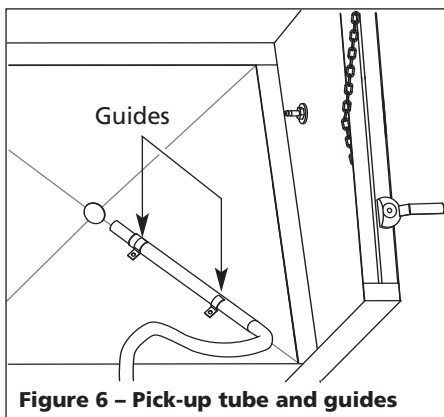


Figure 6 - Pick-up tube and guides

10. Put on a NIOSH/MSHA approved respirator and eye protection.
11. Pour blast media into cabinet basin. Make sure the end material hose is completely covered.

**⚠ DANGER** You can create dust when abrasive media is poured into or drained from the blast cabinet. Wear a mask and eye protection when draining the blasting media.

12. Place item to be cleaned inside cabinet.
13. Close and latch door.
14. If a vacuum is to be used to remove blast media dust:
  - A. Remove air filter from back of cabinet (this filter is for use when a vacuum is **NOT** used)
  - B. Install a proper sized adapter on end of vacuum hose and insert into port on right hand side of cabinet. If the right size adapter is not available, any sort of attachment method that provides decent seal will work.
15. Place hands in gloves, aim blast gun at surface to be cleaned and pull trigger.

## Operation (cont.)

16. A common wire screen placed on cabinet grating can help to prevent small items from getting lost in hopper.

## Maintenance

### Cleaning

The plastic door cover should be cleaned with a soft damp cloth. NEVER use solvents to clean plastic parts. They could dissolve or otherwise damage the material.

### Changing the Ceramic Gun Nozzle

The blast cabinet is equipped with a ceramic nozzle that controls the flow of abrasive media as it exits the spray gun. The nozzle creates a smaller opening for the media to exit which gives a finer spray that easier to control. Replacements for the ceramic nozzle are included. To replace a nozzle, unscrew the outer metal covering of the nozzle and remove the old ceramic nozzle. Insert the new nozzle and reattach the metal cover.

### Draining Abrasive Material

The blast cabinet is equipped with a drain for easy clean up of abrasive materials. The floor of the blast cabinet tapers toward the center, where the drain is located.

In order to remove blast media:

1. Make sure the air supply is disconnected before doing any draining.
2. Secure the cabinet in an elevated position that allows room for a container below the plug.
3. Place a container within 4 inches of the drain opening.
4. Pull the plug from the drain and allow media to drain from cabinet. DO NOT shake cabinet. Shaking the cabinet could cause the media to spill and create dust that could be hazardous if breathed.

### **⚠ DANGER**

*You can create dust when abrasive media is poured into or drained from the blast cabinet. Wear a mask and eye protection when draining the blasting media.*

5. Any excess media can be moved toward the drain with a brush. DO NOT use the blasting gun to blow air to drain the abrasive media. Doing so can create dust that could be hazardous if breathed.

### Storage

1. Turn ON / OFF switch to the OFF position.
2. Unplug power cord from outlet.
3. Disconnect the air supply from the blasting cabinet
4. Remove the abrasive media from the cabinet using the drain.
5. Store in a cool, dry place.

### Service

### **⚠ CAUTION**

*Tool service must be performed only by qualified repair personnel and by an AUTHORIZED SERVICE CENTER. Service or maintenance performed by unqualified personnel could result in a risk of injury.*

For information regarding the operation or repair of this product, please call 1-800-424-8936.

## Abrasive Blasting Media

Blasting media comes in many different grit sizes and sometimes is also rated as extra fine, fine, medium, coarse, and extra coarse. The larger the grit number, the smaller the particle size; the smaller the grit number, the larger the particle size. Glass media can come in beads, crushed, or ground. Aluminum oxide and silicon carbide can come in several colors. It is common today to find mixtures of glass and aluminum oxide.

## Abrasive Media - Not Recommended

Although available, some media are not recommended for use because of mechanical and/or personal hazards.

Silica sand, a common blast media, has health risk concerns due to the silica content. Restriction on its usage is common in many states.

Beach sand (play sand) is a common and inexpensive blast media. This highly aggressive media can have debris mixed in which will cause clogging of equipment.

Steel grit produces ideal surface preparation on new coating. This media should only be used in a special blast cabinet designed for this media.

Steel shot, a round, solid particle, leaves a dimples in a surface after blasting. It is a very dense media and should only be used in a special blast cabinet designed for this media.

## Common Abrasive Media

The more commonly available media and their uses are listed below.

Walnut shell is one of the most versatile organic media due to its angular, durable shape. It is still considered a soft media, but it is good to use on delicate parts. Use as an economical, bio-degradable alternative for sensitive blasting that will not scratch or damage surfaces.

Glass beads are the most popular all-purpose media used today. Used for honing, polishing, peening, blending, finishing, removing light burrs, frosting glass, and cleaning most light materials. Common uses in the removal of paint, rust, and surface residues. Glass bead blasting generally will not change the dimensions of the item being blasted. Glass beads produce brighter finish than angular abrasives. Beads can be recycled and used many times.

## Common Abrasive Media

Crushed glass is very aggressive. Used for economical, general clean-up.

Plastic is available in a variety of sizes and materials (urea, acrylic, polyester, and melamine). These materials are ideal for application such as auto restoration to deliver a high stripping rate without damaging or warping the substrate material.

Brown aluminum oxide is a widely used abrasive media. This media produces a textured surface, good for repairing surfaces for recoating. It is excellent for removing heavy foreign materials, deburring, and etching glass and stone. It is a fast-cutting media that can be reused many times.

White aluminum oxide can be used in the same applications as the brown aluminum oxide, but white aluminum oxide is considered to be a clean media, used in high performance processes where contamination of metal oxide must be kept to a minimum.

Aluminum / glass mixtures provides a combination of glass bead finishing and aluminum oxide cleaning. It provides a brighter finish than single abrasives, and it is good for removing rust and machine marks on metal.

Silicon carbide is the hardest abrasive material available. It is fast cutting and can be reused many times. It is high in initial cost, but removes material quickly to reduce blasting time.

### Common abrasive media guide

Grit Range	Abrasive Type	Abrasive Life	Dust Level	Relative Cost
35-60	Walnut shell	Good	High	Low
25-325	Glass beads	Better	Low	Low
25-70	Crushed glass	Better	Low	Low
30-40	Plastics	Better	Low	High
24-400	Brown alum. oxide	Best	Low	Med -High
150-240	White alum. oxide	Best	Low	High
50-100	Alum./glass mixture	Best	Low	Med
24-240	Silicon carbide	Best	Low	High

### Available commercial abrasive blasting media

Acrylic	Pumice
Aluminum oxide	Sand
Ceramic beads	Silicon carbide
Corn cob	Sodium Bicarbonate (soda)
Garnet	Starch
Glass Beads	Steel grit
Glass, crushed	Steel shot
Melamine	Urea
Pecan shell	Walnut shell
Polyester	Consult your abrasive supplier for recommendations.

MATERIAL SAFETY DATA SHEET (MSDS) CAN BE OBTAINED FROM YOUR ABRASIVE SUPPLIER

### MOISTURE IN COMPRESSED AIR

Moisture in the air when compressed will create water in the compressor tank. When humidity is high or when a compressor is in continuous use for an extended period of time, moisture will collect in the tank. When blasting, this water will be carried from the tank through the hose and will be mixed with the abrasive media.

**IMPORTANT:** THIS MIXING OF WATER AND ABRASIVE MATERIAL WILL CLOG THE SYSTEM. THE BLASTER WILL NOT OPERATE. A compressed air dryer and/or water separator will help eliminate this problem.

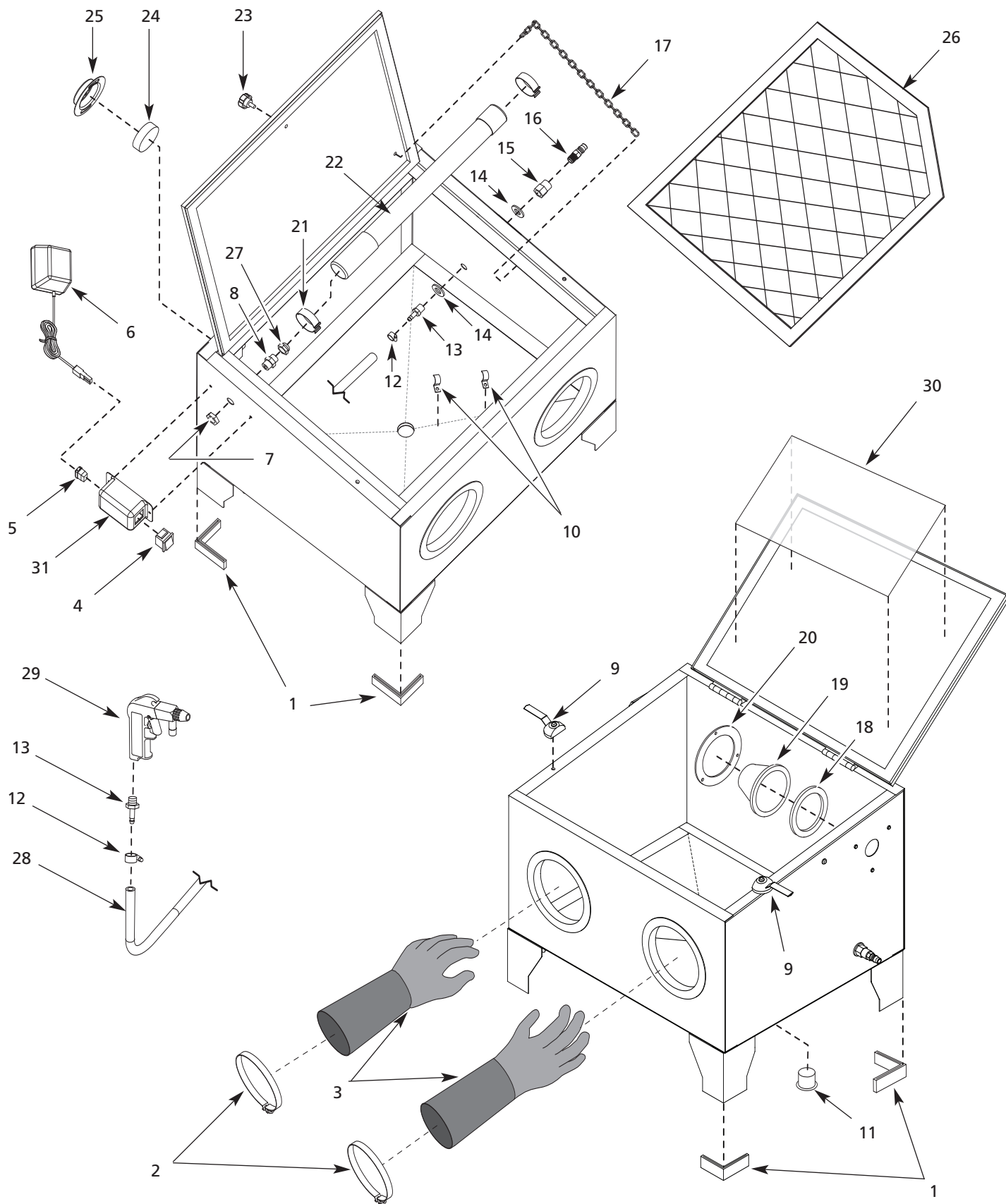
## Troubleshooting Chart

Symptom	Possible Cause(s)	Corrective Action
Low or no air pressure at tool	<ol style="list-style-type: none"> <li>1. Regulator set incorrectly</li> <li>2. Pinched hose</li> <li>3. Dirty compressor filter</li> </ol>	<ol style="list-style-type: none"> <li>1. Reset regulator</li> <li>2. Straighten hose</li> <li>3. Clean or replace filter</li> </ol>
Material not blasting from gun	<ol style="list-style-type: none"> <li>1. Clogged material hose</li> <li>2. Buildup around jet</li> <li>3. Damp or heavy material</li> <li>4. Water in air supply</li> </ol>	<ol style="list-style-type: none"> <li>1. Lower the pressure below 40 psi. Firmly hold the gun tip flat against the ground and pull the trigger to force the material back out of the material hose</li> <li>2. Remove nozzle and clean around jet</li> <li>3. Replace with dry abrasive. (Damp material can be dried and reused)</li> <li>4. Drain compressor tank and install water separator, See "Moisture in Compressed Air" box</li> </ol>
Gun will not shut off - trigger stuck	Damaged o-rings in air valve	Remove and replace o-rings
Sputtering - low vacuum	<ol style="list-style-type: none"> <li>1. Worn jet and/or nozzle</li> <li>2. Abrasive buildup around jet/nozzle</li> </ol>	<ol style="list-style-type: none"> <li>1. Replace jet and/or nozzle</li> <li>2. Remove nozzle and jet and clean. Make sure the threads are clean before re-assembling</li> </ol>
Sputtering - air/abrasive leaks at nozzle/jet area	<ol style="list-style-type: none"> <li>1. Loose nozzle or jet</li> <li>2. Damaged o-ring</li> </ol>	<ol style="list-style-type: none"> <li>1. Tighten nozzle or jet</li> <li>2. Replace o-ring</li> </ol>
Sputtering - vacuum leak	<ol style="list-style-type: none"> <li>1. Loose material hose</li> <li>2. Damaged o-ring</li> </ol>	<ol style="list-style-type: none"> <li>1. Tighten material hose</li> <li>2. Replace o-ring</li> </ol>
Sputtering - particle clogging	Hose connector hole is covered	Uncover hose connector hole

## Suggested Uses

Type of Abrasive (Sieve/Size)	Application	Distance from Work	psi	Suggestions
Glass beads	Etching glass	1 - 4 in.	40 - 90	Move gun back and forth over the template in a brushing manner. Blast at a 90° angle. For fine polishing, use glass beads for the abrasive.
Ground walnut shells	Antiquing or weathering wood	2 - 6 in.	40 - 90	Use brushing strokes and watch the abrasion rate carefully. Soft wood will wear faster than hardwood. Smaller grit sizes give a smoother finish. Start with low pressure and gradually build up pressure. Blast at a 45° angle.
Glass beads, ground walnut shells	Wood sanding and refinishing furniture	1 - 6 in.	40 - 70	Use brushing strokes and watch the abrasion rate carefully. Use walnut shells for coarse finishing and glass beads for final finishing. Blast at a 45° angle.
Aluminum oxide	Cleaning automotive parts	1 - 4 in.	40 - 80	Use larger grit media on a hidden area. If the base material is being damaged, use a smaller grit. Blast at an 80 - 90° angle.
Ground pecan or walnut shells and corn cob meal	Cleaning or preparing for paint	1 - 6 in.	40 - 125	Use brushing strokes and watch the abrasion rate carefully. Soft wood will wear faster than hard wood. Smaller grit sizes give a smoother finish. Start with low pressure and gradually build up pressure. Blast at a 45 - 60° angle.
Aluminum oxide (50-80)	Cleaning or stripping outdoor equipment	1 - 3 in.	50 - 125	Remove flaking paint first with wire brush, then blast with a heavy grit abrasive. Multiple layer of old paint should be scraped first. Prime immediately following blasting to prevent corrosion. Blast at a 45 - 60° angle.

**NOTE:** Abrasive media that has not been cleaned and screened could contain material that will clog the gun nozzle and should be avoided.  
 Use low air pressure (60 psi or less) for soft metals, glass, and wood.  
 Use higher pressures for hard steels; do not exceed 125 psi.





## For Replacement Parts or Technical Assistance, Call 1-888-Maxus4U (1-888-629-8748)

Please provide following information:

- Model number
- Date code (if any)
- Part descriptions and number as shown in parts list

Address parts correspondence to:

Attn: Customer Service  
100 Production Drive  
Harrison, OH 45030

### Replacement Parts List

Ref. No.	Description	Part No.	Qty.
1	Foot cover †	SV611000AV	4
2	Large hose clamps	SV611100AV	2
3	Glove	SV611200AV	2
4	Lamp switch †	SV611300AV, ▲	1
5	Switch outlet †	SV611600AV, ▲	1
6	Power supply	SV611800AV	1
7	Plastic hex nut †	SV612000AV, ●	1
8	Plastic feed through †	SV612100AV, ●	1
9	Door latch †	SV612200AV	2
10	Pipe clamp †	SV612300AV	2
11	Plastic plug	SV612500AV	1
12	Small hose clamp	◇	2
13	1/4 in. hose end connector (cabinet inlet fitting)	○	2
14	Washers (shown for placement only)	※	—
15	Female fitting	SV613100AV	1
16	1/4 in. I/M (M) NPT plug	HF001300AV	1
17	Chain	■	—
18	Large rubber seal	◆	1
19	Vacuum sponge and paper filter	◆	1
20	Retaining ring	SV613700AV	1
21	Lamp clip †	SV613800AV	2
22	Lamp	●	1
23	Knob †	SV614100AV	1
24	Cabinet filter	SV614300AV	1
25	Filter housing	SV614400AV	1
26	Parts tray	□	1
27	Plastic open acorn nut †	SV615500AV, ●	1
28	1/4 in. air hose	SV615400AV	1
29	Gun	AT212000AV	—
30	Plastic door cover	▼	3
31	Lamp switch box	▲	1
	Warning decal	DK765000AV	

Other cabinet hardware not listed are standard hardware items which are available at local hardware stores

- † Required 6 - 8 week lead time necessary for order
- ※ Standard Hardware Item
- Not Available

#### REPLACEMENT PARTS KITS (Kits include necessary hardware)

●	Lamp kit	SKS30001AV
▲	Lamp switch kit	SKS30002AV
■	Chain kit	SKS30003AV
◆	Vacuum filter kit	SKS30004AV
□	Parts tray kit	SKS30005AV
▼	Plastic door cover (5) kit	SKS30006AV
○	1/4 in. hose end (2) kit	SKS30007AV
◇	Small hose clamp (5) kit	SKS30008AV
	Carbon nozzle kit (not shown)	MXS40003AV
	Ceramic nozzle kit (not shown)	MXS40002AV

## **Limited Warranty – Abrasive Blasters**

1. DURATION: From the date of purchase by the original purchaser as follows: for five (5) years, with exceptions noted below.
2. WHO GIVES THIS WARRANTY (WARRANTOR): Maxus, 100 Production Drive, Harrison, Ohio, 45030  
Telephone: 1-888-Maxus4U (1-888-629-8748) – [www.maxustools.com](http://www.maxustools.com)
3. WHO RECEIVES THIS WARRANTY (PURCHASER): The original purchaser (other than for purposes of resale) of the Maxus product.
4. WHAT PRODUCTS ARE COVERED BY THIS WARRANTY: Any Maxus abrasive blaster supplied or manufactured by Warrantor.
5. WHAT IS COVERED UNDER THIS WARRANTY: Defects due to material and workmanship with the exceptions noted below.
6. WHAT IS NOT COVERED UNDER THIS WARRANTY:
  - A. Implied warranties, including those of merchantability and FITNESS FOR A PARTICULAR PURPOSE ARE LIMITED FROM THE DATE OF ORIGINAL PURCHASE AS STATED IN THE DURATION. If this product is used for rental purposes, the warranty will apply for ninety (90) days from the date of purchase. Some States do not allow limitations on how long an implied warranty lasts, so the above limitations may not apply to you.
  - B. ANY INCIDENTAL, INDIRECT, OR CONSEQUENTIAL LOSS, DAMAGE, OR EXPENSE THAT MAY RESULT FROM ANY DEFECT, FAILURE, OR MALFUNCTION OF THE PRODUCT. Some States do not allow the exclusion or limitations of incidental or consequential damages, so the above limitation or exclusion may not apply to you.
  - C. Any failure that results from an accident, purchaser's abuse, neglect or failure to operate products in accordance with instructions provided in the owner's manual(s) supplied with product.
  - D. Pre-delivery service, i.e. assembly, filtration, and adjustment.
  - E. Normal adjustments or expendable items which are explained in the owner's manual(s) provided with the product including but not limited to parts subject to normal wear such as nozzles, air jets, seal blocks, valves, o-rings, hose connections, hoses and blast gun.
  - F. Items or service that require periodic replacement to maintain the product, i.e. filters, gaskets, valves, etc.
  - G. Additional items not covered under this warranty:
    - a. Any component damaged in shipment or any failure caused by installing or operating unit under conditions not in accordance with installation and operation guidelines.
    - b. Failure caused by rain, excessive humidity or corrosive environments.
    - c. Cosmetic defects that do not interfere with blaster functionality.
    - d. Rusted tanks, including but not limited to rust due to improper cleaning/storage.
    - e. Other items not listed but considered general wear parts.
7. RESPONSIBILITIES OF WARRANTOR UNDER THIS WARRANTY: Repair or replace, at Warrantor's option, products or components which are defective, have malfunctioned and/or failed to conform within duration of the warranty period.
8. RESPONSIBILITIES OF PURCHASER UNDER THIS WARRANTY:
  - A. Provide maintenance records to make warranty claim.
  - B. Portable products or components must be delivered or shipped to the nearest Maxus Authorized Service Center. Freight costs, if any, must be borne by the purchaser.
  - C. Use reasonable care in the operation and maintenance of the products as described in the owner's manual(s).
9. WHEN WARRANTOR WILL PERFORM REPAIR OR REPLACEMENT UNDER THIS WARRANTY:
  - A. Repair or replacement will be scheduled and serviced according to the normal work flow at the servicing location, and depending on the availability of replacement parts.
  - B. If the purchaser does not receive satisfactory results from the Authorized Service Center, the purchaser should contact the Maxus Product Service Department (see paragraph 2).

Limited Warranty applies in the U.S. and Canada only and gives you specific legal rights. You may also have other rights which vary from State to State or country to country.

S'il vous plaît lire et conserver ces instructions. Lire attentivement avant de monter, installer, utiliser ou de procéder à l'entretien du produit décrit. Se protéger ainsi que les autres en observant toutes les instructions de sécurité, sinon, il y a risque de blessure et/ou dégâts matériels! Conserver ces instructions comme référence.



## Cabine de Décapage de Table

### Description

La cabine de décapage Maxus est conçue pour nettoyer et retirer la rouille, le tartre et la peinture. C'est la méthode idéale pour les projets de décapage, de polissage et la gravure. Une cabine de décapage garde les particules de sablage dans un endroit refermé et leur permet de recycler. La cabine enferme aussi les particules de poussières et un crochet d'aspirateur peut retirer toute poussière durant le décapage.

### Directives de Sécurité

Ce manuel contient de l'information très importante qui est fournie pour la SÉCURITÉ et pour ÉVITER LES PROBLÈMES D'ÉQUIPEMENT. Rechercher les symboles suivants pour cette information.

**⚠ DANGER** Danger indique une situation hasardeuse imminente qui RÉSULTERA en perte de vie ou blessures graves.

**⚠ AVERTISSEMENT** Avertissement indique une situation hasardeuse potentielle qui PEUT résulter en perte de vie ou blessures graves.

**⚠ ATTENTION** Attention indique une situation hasardeuse potentielle qui PEUT résulter en blessures.

**AVIS** Avis indique de l'information importante pour éviter le dommage de l'équipement.

### Déballage

Après avoir déballé, inspecter avec soin pour tout signe de dommage en transit. Vérifier s'il y a des pièces desserrées, manquantes ou endommagées.

### Généralités sur la Sécurité

#### PROPOSITION 65 CALIFORNIE

**⚠ DANGER** Vous pouvez créer de la poussière en coupant, ponçant, perçant ou meulant les matériaux tels que le bois, la peinture, le métal, le béton, le ciment ou autre maçonnerie. Cette poussière contient souvent des produits



chimiques reconnus pour causer le cancer, les déformations congénitales ou autres problèmes de la reproduction. Portez de l'équipement de protection.

**⚠ DANGER** Ce produit ou son cordon contient des produits chimiques, y compris du plomb, relevés par l'État de Californie comme cause de cancer, d'anomalies congénitales ou d'autres problèmes reproductifs. Lavez-vous les mains après toute manipulation.

#### DANGER DES PRODUITS ABRASIFS DE SILICE

**⚠ DANGER** Porter un appareil respiratoire homologué NIOSH/MSHA en tout temps en décapant à l'abrasif et en nettoyant.

**⚠ DANGER** Risque d'explosion et d'incendie ! Ne jamais utiliser de sableuse autour de liquides, gaz, poussières, chiffons huileux ou autres matériaux combustibles ou inflammables qui pourraient exploser ou brûler rapidement. Certains abrasifs créent des étincelles en frappant le métal. Des abrasifs semblables à l'oxyde d'aluminium peuvent provoquer des étincelles électriques statiques. Dans un milieu dangereux, ces étincelles provoqueront des incendies ou des explosions menant à de graves blessures ou à la mort. Pour la sécurité de l'utilisateur et celle des personnes dans les environs, NE PAS UTILISER cette sableuse à des endroits où il y a des liquides, gaz, poussières, chiffons huileux ou autres matériaux combustibles ou inflammables qui pourraient exploser ou brûler rapidement.



**⚠ ATTENTION** Les chocs d'électricité statique peuvent être douloureux. Certains abrasifs semblables à l'oxyde d'aluminium peuvent créer de l'électricité statique en sablant. Si vous n'êtes pas mis à la terre, l'électricité statique peut s'accumuler sur votre corps et provoquer un choc lorsque vous touchez un objet métallique. Vous pouvez éviter l'électricité statique en portant des chaussures à semelles en cuir et en vous tenant sur le



Modèle MXS3000

sol. Si nécessaire, un fil mis à la terre attaché au pistolet de sablage retirera sans danger l'électricité statique. N'oubliez pas que vous n'êtes pas mis à la terre si vous êtes isolé du sol. Les souliers à semelle de caoutchouc, les bottes de caoutchouc ou autres chaussures de caoutchouc ou de plastique sont des isolants. Évitez de vous tenir sur un bois sec (comme une palette en bois), un tapis sec ou une carpe sèche.

### Spécifications

#### Dimensions:

Encombrement : 58,4 de largeur x 48,3 cm de profondeur (23 po x 19 po)  
Hauteur totale : 49 cm (19,25 po)  
Profondeur totale : 50 cm (19,75 po)  
Largeur totale : 63 cm (24,75 po)  
Hauteur de l'aire de travail : 29,2 à 34,3 cm (11,5 à 13,5 po)  
Profondeur de l'aire de travail : 45,7 à 47 cm (18 à 18,5 po)  
Largeur de l'aire de travail : 55,2 à 59,7 cm (21,75 à 23,5 po)  
Ouverture supérieure : 48,9 cm de largeur x 39,4 cm de profondeur (19,25 po x 15,50 po)

Lumière de travail fluorescente de 12 V avec alimentation de courant à entrée de 120 V c.a. 60 Hz sortie de 12 V 800 mA Classe 2 homologuée UL

Côté droit Port de sortie d'aspirateur d'atelier de DI de 3,49 cm (1-3/8 po) à filtre conique remplaçable de papier et d'éponge kPa Max ..... 862  
Arrivée d'air ..... 6,4 cm (1/4 po) NPT  
Capacité de média ... 9,5 litres (2,5 gallons)

MÉMENTO: Gardez votre preuve datée d'achat à fin de la garantie!  
Joignez-la à ce manuel ou classez-la dans un dossier pour plus de sécurité.

## Généralités sur la Sécurité (suite)

### DIRECTIVES DE SÉCURITÉ

**AVERTISSEMENT** *Ne pas abuser de ce produit. Toute exposition excessive à la vibration, tout travail dans les positions mal à l'aise et les motions de travail à répétition peuvent provoquer des blessures aux mains et aux bras. Cesser d'utiliser tout outil si l'on ressent un malaise, un engourdissement, un fourmillement ou une douleur et consulter un médecin.*

1. Lire ce manuel d'instructions avant de connecter cet appareil au compresseur.
2. Il faut porter des lunettes de sécurité et un respirateur approuvé NIOSH /MSHA en utilisant l'appareil et en nettoyant.
3. Pendant l'utilisation de l'appareil, ne pas exposer les mains ou la peau directement devant la buse de décapage.
4. Après l'assemblage, inspecter l'étanchéité de tous les composants.
5. Ne pas dépasser la pression maximale d'exploitation de l'équipement de décapage (862 kPa).



**AVERTISSEMENT** *Débrancher la cabine de la source d'alimentation d'air avant de changer les accessoires ou avant d'essayer d'installer, de réparer, de déplacer ou de procéder à tout entretien de l'appareil.*

6. Vérifier les tuyaux et les canalisations d'air pour tout signe de faiblesse ou d'usure avant chaque utilisation. S'assurer que tous les raccords soient bien en place avant de faire fonctionner l'appareil.

**AVERTISSEMENT** *Ne pas diriger le pistolet de décapage vers aucune personne ou objet autre que le projet prévu.*

7. Ne pas appuyer sur la gâchette en branchant le tuyau d'air.

**DANGER** *Ne pas travailler près de torchons huileux ou de liquides inflammables. Le médium de décapage frappant le métal peut produire une étincelle qui à son tour peut mener à un incendie ou à une explosion.*

**AVERTISSEMENT** *Ne pas pulvériser les produits acides ou caustiques.*

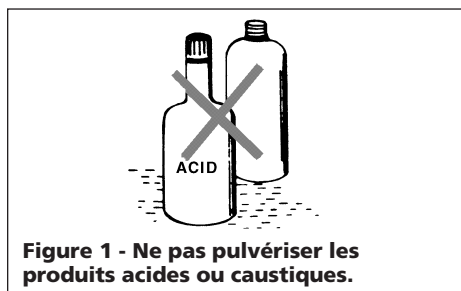


Figure 1 - Ne pas pulvériser les produits acides ou caustiques.

## Instructions de Montage

**Remarque :** Pour l'assemblage, il faut un petit tournevis Phillips (P2) et une clé ajustable.

- Retirer l'armoire et autres pièces de l'emballage. S'assurer qu'il ne manque aucune pièce (voir la liste de pièces).

### Pistolet et boyaux

- Presser l'autre extrémité du boyau d'air entièrement dans les barbelures du raccord d'entrée de l'armoire. Placer et bien resserrer un petit collier de serrage autour de la section du boyau recouvrant la barbelure.
- Presser l'extrémité du boyau de matériel entièrement sur la bride d'entrée du matériel de l'outil. Placer et bien resserrer un collier de serrage de boyau moyen autour de la section de la bride couvrant le boyau.

- Presser l'autre extrémité du boyau de matériel à environ 2,54 cm à 5,08 cm (1 po à 2 po) sur l'extrémité de petit diamètre du tube plongeur de métal. Placer et bien resserrer un collier de serrage de boyau moyen autour de la section de la bride couvrant le tube plongeur.
- Placer les assemblages de pistolet et de boyau dans l'armoire, acheminant le tube plongeur sous le plateau de pièces grillagé. Placer une rondelle à l'extrémité fileté du raccord d'entrée de l'armoire, puis pousser le raccord à travers le trou du côté inférieur droit de l'armoire. Placer l'autre rondelle sur l'extrémité proéminente du raccord (voir Figure 2).
- Appliquer du ruban de téflon aux filets du raccord d'entrée pour réduire la possibilité de fuites d'air. Enfiler le raccord femelle sur les filets proéminents du raccord d'entrée de l'armoire et bien resserrer. S'assurer que les méplats de clé du raccord femelle aboutent l'armoire (voir Figure 2).

### Loquets de porte

- Placer les loquets de porte de plastique noir sur les trous des bords du dessus de l'armoire. Fixer chacun sur le dessus de l'armoire en utilisant un boulon de 2,54 cm (1 po) de longueur et un écrou à filetage autofreinant (nylock). Bien resserrer, sans trop resserrer.

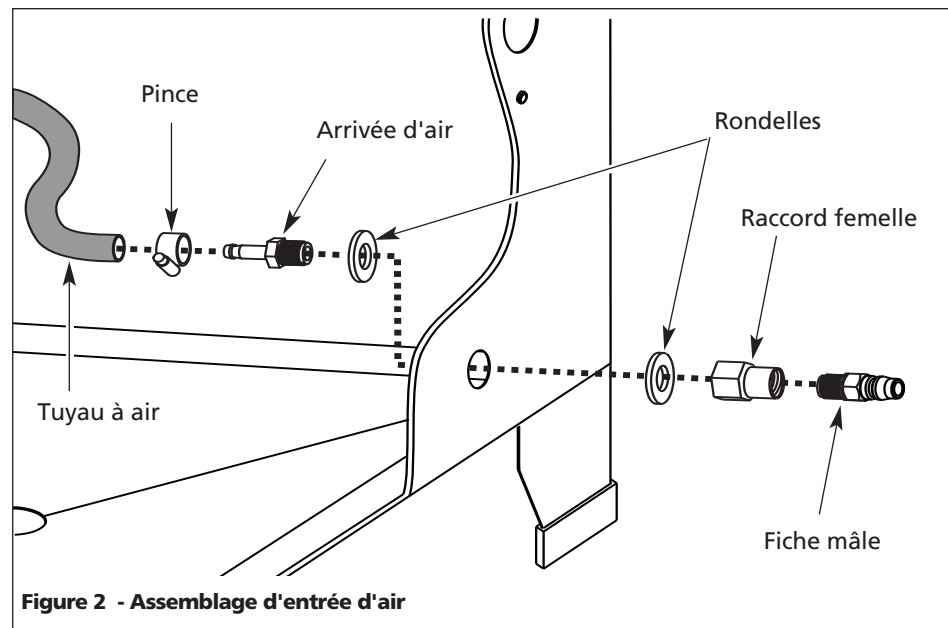


Figure 2 - Assemblage d'entrée d'air

## Instructions de Montage (suite)

### Filtre d'armoire

- Placer une éponge à filtre rond dans le boîtier du filtre d'armoire. Placer le boîtier du filtre sur le large trou à l'arrière de l'armoire, en alignant les trous du bord du boîtier avec les poteaux au-dessus et sous le trou de l'armoire. Tourner et verrouiller.

### Lampe

- S'assurer que la source de courant ne soit pas branchée dans la prise de l'interrupteur de la lampe. Placer la boîte de l'interrupteur de la lampe vers le haut pour libérer l'extrémité du cordon de la lampe. Connecter ensemble les bornes du cordon de la lampe aux bornes de l'interrupteur de la lampe portant la mention "2". Le fil brun va sur le dessus (près du "2"), le fil bleu directement en dessous. Fixer la boîte de l'interrupteur de la lampe à l'armoire à l'aide de deux (2) boulons longs de 7,9 mm (5/16 po), écrous et rondelles de blocage. Bien resserrer.

## Fonctionnement

Après avoir terminé l'assemblage complet de la cabine de décapage, suivre les instructions suivantes avant de brancher l'air à la cabine.

- Placer la cabine sur la table ou banc où le travail sera effectué.
- Brancher la source d'air (862 kPa max.) au raccord sur le côté de la cabine (voir Figure 3).

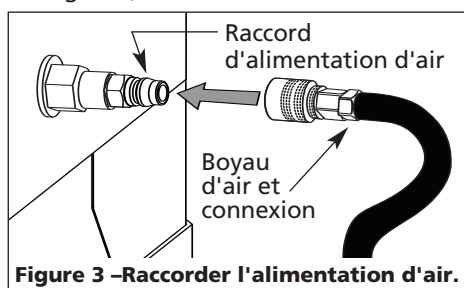


Figure 3 - Raccorder l'alimentation d'air.

- Inspecter pour des fuites. S'il y en a, réparer ou ajouter au besoin du ruban de téflon.
- Brancher la source d'énergie de 12 volts dans la prise de courant de 110 volts.
- S'assurer que l'interrupteur est à la position d'arrêt (O), brancher l'autre extrémité du cordon d'alimentation de courant 12 V dans l'interrupteur de la cabine (voir Figure 4).

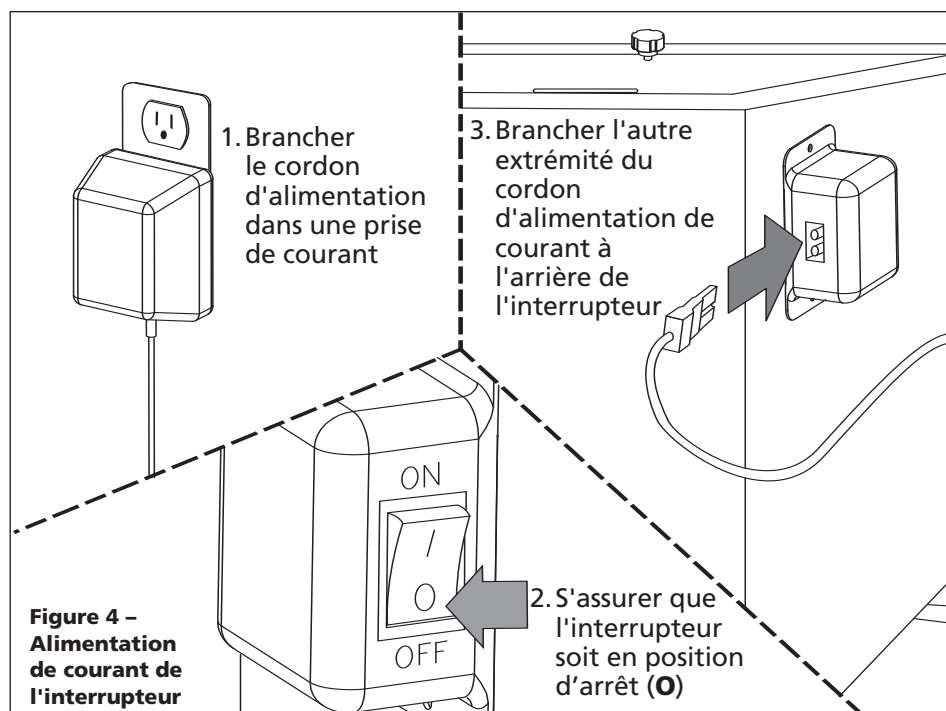


Figure 4 - Alimentation de courant de l'interrupteur

- S'assurer du bon fonctionnement de la lumière. La lumière peut être tournée pour éviter l'éclairage dans les yeux de l'opérateur.
- Ajouter un protecteur de plastique pour la fenêtre (inclus) à la surface intérieure de la porte de verre.
- S'assurer que le tuyau du matériel est bien branché au tube plus petit (sans toucher le tube plus grand) du plongeur de métal (voir Figure 5).

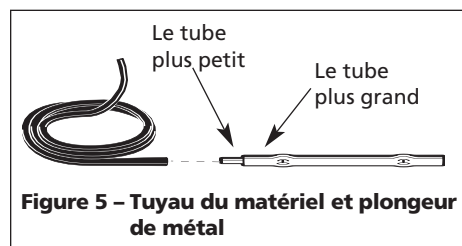


Figure 5 - Tuyau du matériel et plongeur de métal

- Placer l'extrémité du tube plongeur dans le milieu de la cabine où le média de décapage est plus profond. Il y a des guides métalliques pour aider à stabiliser le tube plongeur (voir Figure 6).
- Porter un appareil respiratoire homologué NIOSH/MSHA.
- Mettre un respirateur approuvé NIOSH/MSHA et une protection oculaire.

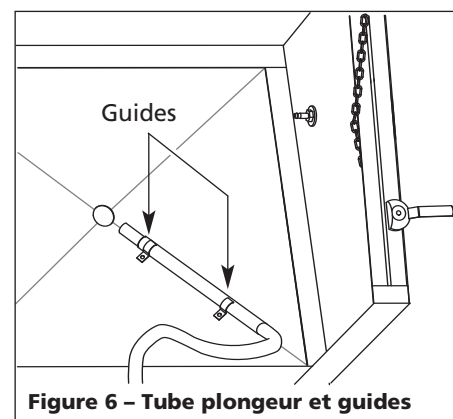


Figure 6 - Tube plongeur et guides

**⚠ DANGER** On peut créer de la poussière lorsque le média abrasif est versé ou drainé de la cabine de décapage. Porter un masque et une protection oculaire en drainant le média de décapage.

- Placer la pièce de travail à découper dans la cabine.
- Fermer et verrouiller la porte.
- Si l'on utilise un aspirateur pour retirer la poussière de média de décapage :
  - Retirer le filtre d'air de l'arrière de l'enceinte (ce filtre doit être utilisé lorsqu'on N'utilise **PAS** d'aspirateur).
  - Installer un adaptateur de la taille appropriée à l'extrémité du boyau de l'aspirateur et insérer dans le port du côté droit de l'enceinte. Si l'adaptateur du côté droit n'est pas

## Fonctionnement (suite)

disponible, toute méthode à accessoire qui fournit une étanchéité appropriée fonctionnera.

15. En portant les gants, pointer le pistolet de décapage à la surface à décaper et tirer la gâchette.
16. Un écran métallique courant placé sur la grille de l'enceinte peut aider à empêcher que de petits articles se perdent dans la trémie.

## Entretien

### Nettoyage

Le couvercle de la porte de plastique devrait être nettoyé avec un chiffon humide doux. NE JAMAIS utiliser de solvants sur les pièces de plastique propres. Ils pourraient dissoudre ou endommager le matériau.

### Changer la buse du pistolet de céramique

La cabine de décapage est dotée d'une buse de céramique qui contrôle le débit de média abrasif en sortant du pistolet de pulvérisation. La buse crée une ouverture plus petite pour la sortie du média ce qui donne une pulvérisation plus fine plus facile à contrôler. Des remplacements de buse de céramique sont inclus. Des remplacements de buse de céramique sont inclus. Pour remplacer une buse, dévisser la couverture métallique extérieure de la buse et retirer la vieille buse de céramique. Insérer la nouvelle buse et replacer la couverture métallique.

### Drainer le matériel abrasif

La cabine de décapage est dotée d'un drain pour faciliter le nettoyage de matériaux abrasifs. Le plancher de la cabine de décapage s'effile vers le centre où se trouve le drain.

Pour retirer les médias de décapage :

1. S'assurer que l'alimentation d'air est débranchée avant tout drainage.
2. Fixer la cabine en position élevée offrant l'espace voulu pour un contenant sous le bouchon.

3. Placer un contenant à 10,16 cm (4 po) de l'ouverture du drain.
4. Retirer le bouchon du drain et laisser le média drainer de la cabine. NE PAS secouer la cabine. Secouer pourrait mener au déversement des médias et créer de la poussière qui pourrait être dangereuse si respirée.

**▲ DANGER** *On peut créer de la poussière lorsque le média abrasif est versé ou drainé de la cabine de décapage. Porter un masque et une protection oculaire en drainant le média de décapage.*

5. Tout média supplémentaire peut être déplacé vers le drain avec une brosse.

### Rangement

1. Mettre l'interrupteur MARCHE/ARRÊT à la position ARRÊT.
2. Débrancher le cordon d'alimentation de la prise.
3. Débranchez l'alimentation d'air de la cabine de décapage.
4. Retirer le média abrasif de la cabine par le drain.
5. Entreposer dans un endroit sec et frais.

### Service

**▲ ATTENTION** *Tout le travail d'entretien et de réparation de l'outil doit être effectué seulement par un CENTRE DE SERVICE AUTORISÉ. L'entretien ou les réparations non effectué(e)s par un personnel qualifié pourraient mener à des blessures.*

Pour obtenir de l'information sur le fonctionnement ou la réparation de ce produit, appeler le 1-800-424-8936.

## Médias de décapage abrasif

Les médias de décapage sont fournis en différentes tailles de particules et sont parfois d'une valeur extra fine, fine, moyenne, rugueux et extra rugueux. Plus le numéro des particules est élevée, plus les particules sont petites; plus le numéro des particules est petit, plus les particules sont larges. Les médias de verre sont fournis en perles, écrasés ou moulus. L'oxyde d'aluminium et le carbure de silicium peuvent être fournis en plusieurs couleurs. Il est courant aujourd'hui de trouver des mélanges de verre et d'oxyde d'aluminium.

## Médias abrasifs - non recommandés

Bien que certains médias soient disponibles, ils ne sont pas recommandés à cause des dangers personnels et/ou mécaniques.

Le sable siliceux, un médium de décapage courant, a des risques de santé à cause du contenu de silicium. La restriction sur son usage est courante dans de nombreux États.

Le sable de plage (sable de jeu) est un médium de décapage courant et peu dispendieux. Ce médium très agressif peut avoir des débris mélangés ce qui pourrait provoquer un blocage de l'équipement.

Les particules d'acier produisent une préparation de surface idéale sur le nouveau revêtement. Ce médium ne doit être utilisé que dans une armoire spéciale de décapage conçue pour ce médium.

Une grenaille d'acier, une particule ronde, solide, laisse une empreinte sur une surface après le décapage. C'est un très dense médium et ne doit être utilisé que dans une armoire spéciale de décapage conçue pour ce médium.

## Médias abrasifs courants

Les médias utilisés le plus couramment et leurs utilisations sont indiquées plus bas.

L'écaille de noix est l'un des médias biologiques les plus polyvalents à cause de sa forme angulaire, durable. Cela est encore considéré comme un médium malléable, mais c'est une bonne idée de l'utiliser sur les pièces délicates. Utiliser comme alternative économique, bio-dégradable pour le décapage sensible qui n'égratigne et n'endommage pas les surfaces.

Les perles de verre sont les médias polyvalents les plus populaires utilisés à l'heure actuelle. Utilisées pour affiner, polir, mater, mélanger, finir, retirer les ébarbures légères, le verre givré et nettoyer la plupart des matériaux légers. Utilisations courantes pour retirer la peinture, la rouille et les résidus de surface. Le décapage à perle de verre ne changera pas normalement les dimensions de l'article décapé. Les perles de verre produisent un fini plus brillant que les abrasifs angulaires. Les perles se recyclent et sont utilisées plusieurs fois.

Le verre écrasé est très agressif. Utilisé pour un nettoyage économique, général.

Le plastique est disponible dans une variété de tailles et de matériaux (urée, acrylique, polyester et mélamine). Ces matériaux sont le produit idéal pour l'application telle que la restauration automobile car elle fournit un taux élevé de décapage sans endommager ou faire gondoler le substrat.

L'oxyde d'aluminium brun est un médium abrasif utilisé couramment. Ce médium produit une surface texturée, bonne pour réparer les surfaces à revêtir. Il est excellent pour retirer les matériaux étrangers lourds, pour ébavurer et graver le verre et la pierre. C'est un médium à coupe rapide qu'on peut réutiliser plusieurs fois.

L'oxyde d'aluminium blanc peut servir dans les mêmes applications que celles d'oxyde d'aluminium brun, mais l'oxyde d'aluminium blanc est considéré un médium propre, utilisé dans les processus haute performance où la contamination de l'oxyde métallique doit être à un niveau minimum.

Les mélanges d'aluminium / verre offre une combinaison de finition de perle de verre et de nettoyage d'oxyde d'aluminium. Ils fournissent un fini plus brillant que les abrasifs seuls et ils conviennent pour retirer la rouille et les marques de machine sur le métal.

Le carbure de silicium est le matériau le plus dur d'abrasif disponible. Il coupe rapidement et peut être réutilisé plusieurs fois. Son coût initial est élevé, mais retire le matériau rapidement pour réduire le temps de décapage.

### Guide de médias abrasifs courants

Plage de particules	Type d'abrasif	Vie abrasive	Niveau de poussière	Coût relatif
35-60	Écailles de noix	Bon	Élevé	Bas
25-325	Perles de verre	Meilleur	Bas	Bas
25-70	Verre écrasé	Meilleur	Bas	Bas
30-40	Plastiques	Meilleur	Bas	Élevé
24-400	Oxyde d'aluminium brun	Le meilleur	Bas	Moy - haut
150-240	Oxyde d'aluminium blanc	Le meilleur	Bas	Élevé
50-100	Mélange d'aluminium / verre	Le meilleur	Bas	Moy
24-240	Carbure de silicium	Le meilleur	Bas	Élevé

### Médias de décapage abrasif commercial disponibles

Acrylique	Ponce
Oxyde d'aluminium	Sable
Boudins de céramique	Carbure de silicium
Épi de maïs	Bicarbonate de sodium
Grenat	Fécule
Perles de verre	Particule d'acier
Verre, écrasé	Grenaille d'acier
Mélamine	Urée
Écailles de pacanes	Écailles de noix
Polyester	

LA FICHE SIGNALÉTIQUE DE SÉCURITÉ DU PRODUIT (FSSP) EST DISPONIBLE AUPRÈS DU FOURNISSEUR DE L'ABRASIF.

### HUMIDITÉ DANS L'AIR COMPRIMÉ

De l'humidité dans l'air lors de la compression créera de l'eau dans le réservoir du compresseur. Lorsque l'humidité est élevée ou lorsqu'un compresseur est utilisé continuellement pendant de longues périodes, de l'humidité peut s'accumuler dans le réservoir. En décapant, cette eau sera transportée dans le réservoir à travers le boyau et sera mélangée avec le médium abrasif.

**IMPORTANT: CE MÉLANGE D'EAU ET DE MATÉRIAU ABRASIF BLOQUERA LE SYSTÈME. LA DÉCAPEUSE NE FONCTIONNERA PAS.**

Une sècheuse à air comprimé et/ou un séparateur d'eau aideront à éliminer ce problème.

## Tableau de dépannage

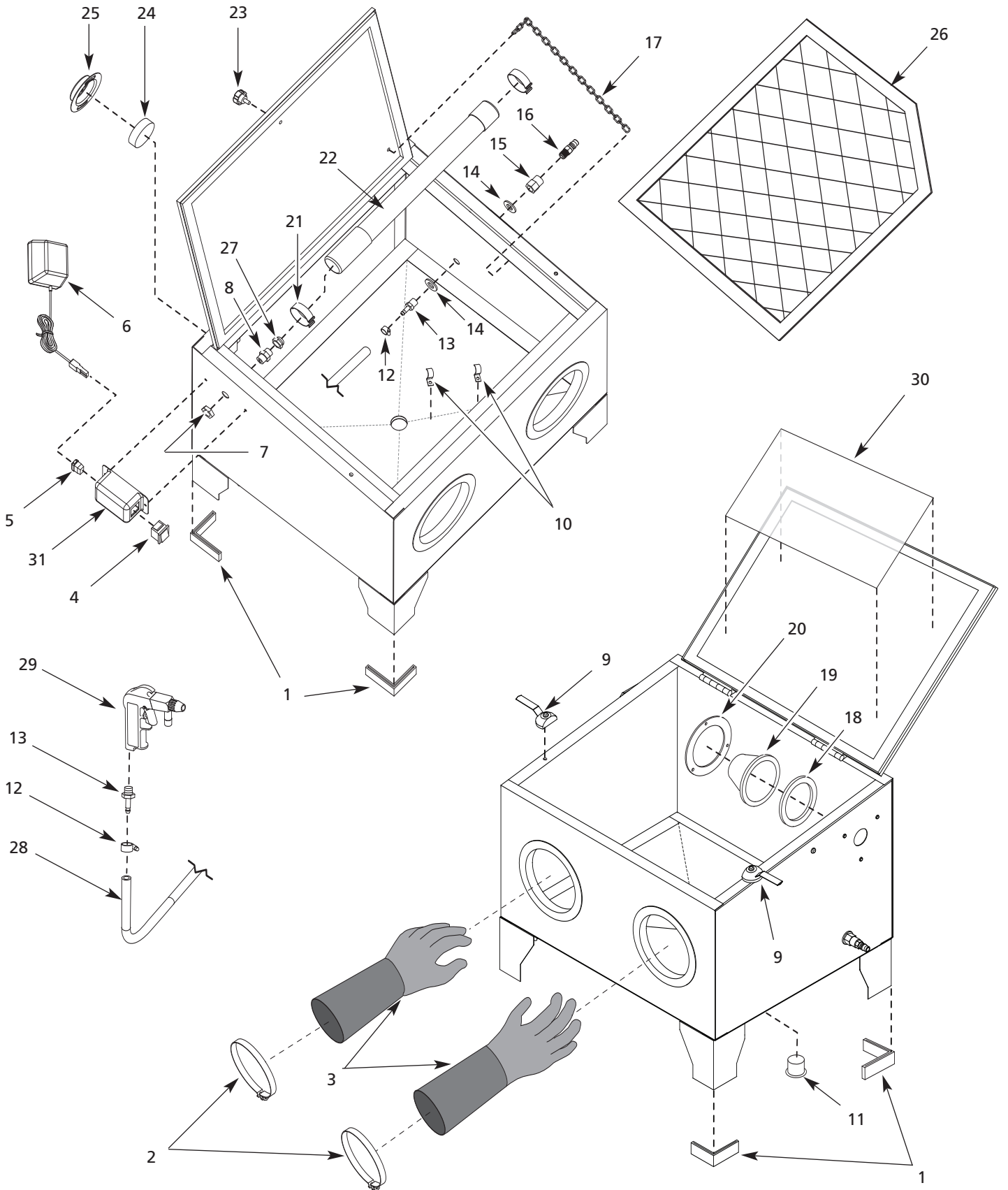
Symptôme	Cause(s) possible(s)	Mesure(s) corrective(s)
Basse pression ou aucune pression d'air à l'outil	<ol style="list-style-type: none"> <li>1. Mauvais réglage du régulateur</li> <li>2. Boyau pincé</li> <li>3. Filtre de compresseur sale</li> </ol>	<ol style="list-style-type: none"> <li>1. Régler le régulateur</li> <li>2. Redresser le boyau</li> <li>3. Nettoyer ou remplacer le filtre</li> </ol>
Matériau ne sort pas du pistolet	<ol style="list-style-type: none"> <li>1. Boyau de matériau bloqué</li> <li>2. Accumulation autour du jet</li> <li>3. Matériau humide ou lourd</li> <li>4. Eau dans l'alimentation d'air</li> </ol>	<ol style="list-style-type: none"> <li>1. Baisser la pression sous 40 lb/po<sup>2</sup> (276 kPa). Tenir fermement le bout du pistolet à plat contre le sol et tirer la gâchette pour forcer le matériau dans le boyau de matériau</li> <li>2. Retirer la buse et nettoyer autour du jet</li> <li>3. Remplacer avec de l'abrasif sec. (Le matériau humide peut être séché et réutilisé)</li> <li>4. Vider le réservoir du compresseur et installer le séparateur d'eau, voir la case « humidité dans l'air comprimé »</li> </ol>
Le pistolet ne s'arrête pas - gâchette grippée	Joint toriques endommagés dans la soupape d'air	Retirer et remplacer les joints toriques
Éclaboussure - faible vide	<ol style="list-style-type: none"> <li>1. Jet et/ou buse usé(e)</li> <li>2. Accumulation d'abrasif autour du jet/buse</li> </ol>	<ol style="list-style-type: none"> <li>1. Remplacer le jet et/ou la buse</li> <li>2. Retirer la buse et le jet et nettoyer. S'assurer que les filets sont propres avant de réassembler</li> </ol>
Éclaboussure - fuites d'air/abrasifs à la buse/au jet	<ol style="list-style-type: none"> <li>1. Buse ou jet délogé(e)</li> <li>2. Joint torique endommagé</li> </ol>	<ol style="list-style-type: none"> <li>1. Resserrer la buse ou le jet</li> <li>2. Remplacer le joint torique</li> </ol>
Éclaboussure - fuite de vide	<ol style="list-style-type: none"> <li>1. Boyau de matériau desserré</li> <li>2. Joint torique endommagé</li> </ol>	<ol style="list-style-type: none"> <li>1. Resserrer le boyau de matériau</li> <li>2. Remplacer le joint torique</li> </ol>
Éclaboussure - blocage de particules	Le trou du connecteur de boyau est couvert	Découvrir le trou du connecteur de boyau



## Suggestions d'utilisations

Type d'abrasifs (taille/crible)	Application	Distance du travail	kPa	Suggestions
Perles de verre	Gravure de verre	1 - 4 po	276 - 621	Déplacer le pistolet d'avant en arrière sur le gabarit de la même manière qu'un pinceau. Décaper à un angle de 90°. Pour les polis fins, utiliser des perles de verre pour l'abrasif.
Écailles de noix moulues	Bois antique ou vieilli	2 - 6 po	276 - 621	Utiliser des mouvements de pinceau et surveiller attentivement le taux d'abrasion. Le bois mou s'utilisera plus rapidement que le bois dur. Les tailles plus petites de particules donnent un fini plus lisse. Commencer avec une basse pression et augmenter graduellement la pression. Décaper à un angle de 45°.
Perles de verre, écailles de noix moulues	Ponçage du bois et finition des meubles	1 - 6 po	276 - 483	Utiliser des mouvements de pinceau et surveiller attentivement le taux d'abrasion. Utiliser des écailles de noix pour les finis rugueux et les perles de verre pour le dernier fini. Décaper à un angle de 45°.
Oxyde d'aluminium	Nettoyage des pièces automobiles	1 - 4 po	276 - 552	Utiliser des particules plus larges sur une surface en retrait. Si le matériau de base est endommagé, utiliser des particules plus petites. Décaper à un angle de 80 à 90°.
Écailles de noix ou pacanes et poudre d'épi de maïs	Nettoyage ou préparation de la peinture	1 - 6 po	276 - 862	Utiliser des mouvements de pinceau et surveiller attentivement le taux d'abrasion. Le bois mou s'utilisera plus rapidement que le bois dur. Les tailles plus petites de particules donnent un fini plus lisse. Commencer avec une basse pression et augmenter graduellement la pression. Décaper à un angle de 45 à 60°.
Oxyde d'aluminium (50-80)	Nettoyage ou décapage de l'équipement extérieur	1 - 3 po	345 - 862	Retirer la peinture qui s'écaille d'abord avec une brosse de métal, puis décaper avec un abrasif à particules plus lourdes. Il faut gratter d'abord les multiples couches de peinture. Arrêter immédiatement après le décapage pour prévenir la corrosion. Décaper à un angle de 45 à 60°.

**NOTE:** Les médias abrasifs qui n'ont pas été nettoyés et tamisés pourraient contenir un matériau qui bloquera la buse du pistolet et cela doit être évité.  
Utiliser une basse pression d'air [414 kPa (60 lb/po<sup>2</sup>) ou moins] pour les métaux mous, le verre et le bois.  
Utiliser des pressions plus élevées pour les aciers durs sans dépasser 862 kPa(125 lb/po<sup>2</sup>).



## Pour Pièces De Rechange ou Assistance Technique, Appeler 1-888-Maxus4U (1-888-629-8748)

S'il vous plaît fournir l'information suivant:

- Numéro du modèle
- Code de date (si présent)
- Description de la pièce et son numéro sur la liste

Correspondance:

Attn: Customer Service  
100 Production Drive  
Harrison, OH 45030

### Liste De Pièces De Rechange

N° de. Réf.	Description	N° de Pièce	Qté.
1	Couvercle du pied †	SV611000AV	4
2	Larges colliers de serrage de boyaux	SV611100AV	2
3	Gants	SV611200AV	2
4	Interrupteur de lampe †	SV611300AV, ▲	1
5	Prise d'interrupteur †	SV611600AV, ▲	1
6	Source de courant	SV611800AV	1
7	Écrou hexagonal de plastique †	SV612000AV, ●	1
8	Orifice d'amenée de plastique †	SV612100AV, ●	1
9	Verrou de porte †	SV612200AV	2
10	Collier de serrage de boyau †	SV612300AV	2
11	Bouchon de plastique	SV612500AV	1
12	Petit collier de serrage de boyau	◇	2
13	Raccord d'extrémité de boyau de 6,4 mm (1/4 po) (raccord d'entrée de la cabine)	○	2
14	Rondelles (illustrées seulement pour le placement)	✱	—
15	Raccord femelle	SV613100AV	1
16	Fiche de 6,4 mm (1/4 po) I/M (M) NPT	HF001300AV	1
17	Chaîne	■	—
18	Large garniture étanche de caoutchouc	◆	1
19	Filtre de papier et éponge à vide	◆	1
20	Anneau de retenue	SV613700AV	1
21	Pince de lampe †	SV613800AV	2
22	Lampe	●	1
23	Bouton †	SV614100AV	1
24	Filtre d'armoire	SV614300AV	1
25	Boîtier de filtre	SV614400AV	1
26	Plateau de pièces	□	1
27	Écrou borgne ouvert de plastique †	SV615500AV, ●	1
28	Boyau d'air de 6,4 mm (1/4 po)	SV615400AV	1
29	Pistolet	AT212000AV	—
30	Couvercle de porte de plastique	▼	3
31	Boîte d'interrupteur de lampe	▲	1
	Décalque d'avertissement	DK765000AV	

D'autres quincailleries d'armoire non indiquées sont des articles de quincaillerie standard disponibles aux quincailleries locales

- † Cette commande exige un préavis de 6 à 8 semaines
- ✱ Article normal de quincaillerie
- Pas Disponible

#### TROUSSES DE PIÈCES DE RECHANGE (les trousse incluent la quincaillerie nécessaire)

- Trousse de lampe SKS30001AV
- ▲ Trousse d'interrupteur de lampe SKS30002AV
- Trousse de chaîne SKS30003AV
- ◆ Trousse de filtre à vide SKS300004AV
- Trousse de plateau de pièces SKS30005AV
- ▼ Trousse de couvercle de porte de plastique (5) SKS30006AV
- Trousse d'extrémité de boyau de 6,4 mm (1/4 po) SKS30007AV
- ◇ Trousse de petit collier de serrage de boyau (5) SKS30008AV
- Trousse de buse au carbone (non illustrée) MXS40003AV
- Trousse de buse de céramique (non illustrée) MXS40002AV

## **Garantie Limitée - Souffleurs Abrasifs**

1. DURÉE : De la date d'achat de l'acheteur original comme suit : pendant cinq (5) ans avec les exceptions indiquées plus bas.
  2. QUI OFFRE CETTE GARANTIE (GARANT) : Maxus, 100 Production Drive, Harrison, Ohio, 45030  
Téléphone : 1-888-Maxus4U (1-888-629-8748) – www.maxustools.com
  3. QUI REÇOIT CETTE GARANTIE (ACHETEUR) : L'acheteur original (sauf en cas de revente) du produit Maxus.
  4. QUELS PRODUITS SONT COUVERTS SOUS CETTE GARANTIE : Tout souffleur abrasif Maxus fourni ou fabriqué par le garant.
  5. CE QUI EST COUVERT PAR LA PRÉSENTE GARANTIE : Défauts de matériau et de fabrication avec les exceptions indiquées ci-dessous.
  6. LA PRÉSENTE GARANTIE NE COUVRE PAS :
    - A. Les garanties implicites, y compris celles de commercialité et D'ADAPTATION À UNE FONCTION PARTICULIÈRE SONT LIMITÉES À PARTIR DE LA DATE D'ACHAT INITIALE TELLE QU'INDIQUÉE DANS LA SECTION DURÉE. Si ce produit est utilisé à des fins de location, la garantie s'applique pendant quatre-vingt-dix (90) jours de la date d'achat. Certaines Provinces (États) n'autorisent pas de limitations de durée pour les garanties implicites, donc les limitations précédentes peuvent ne pas s'appliquer.
    - B. TOUT DOMMAGE, PERTE OU DÉPENSE FORTUIT, INDIRECT OU CONSÉCUTIF POUVANT RÉsulTER DE TOUT DÉFAUT, PANNE OU MAUVAIS FONCTIONNEMENT DU PRODUIT. Quelques Provinces (États) n'autorisent pas l'exclusion ni la limitation des dommages fortuits ou indirects. La limitation ou l'exclusion précédente peut donc ne pas s'appliquer.
    - C. Toute panne résultant d'un accident, d'une utilisation abusive, de la négligence ou d'une utilisation de l'acheteur ne respectant pas les instructions données dans le(s) manuel(s) accompagnant le produit.
    - D. Service pré-livraison soit l'assemblage, la filtration et l'ajustement.
    - E. Les ajustements normaux ou les articles non réutilisables expliqués dans le(s) manuel(s) du propriétaire fourni(s) avec le produit y compris, mais sans s'y limiter, les pièces sujettes à l'usure normale comme les embouts, les jets d'air, les blocs étanches, les soupapes, les joints toriques, les connexions de tuyau, les tuyaux et les pistolets de sablage.
    - F. Articles ou services qui sont exigés pour l'entretien normal du produit, soit filtres, joints d'étanchéité, soupapes, etc.
    - G. Articles supplémentaires qui ne sont pas couverts sous cette garantie :
      - a. Tout composant endommagé pendant l'expédition ou par n'importe quelle panne causée par un montage ou fonctionnement de l'appareil sous des conditions qui ne se conforment pas aux directives de montage et de fonctionnement.
      - b. La défaillance causée par la pluie, l'humidité excessive ou des environnements corrosifs.
      - c. Les défauts cosmétiques qui n'ont pas d'effet sur le fonctionnement du souffleur.
      - d. Les réservoirs rouillés, y compris, mais sans s'y limiter, la rouille causée par le nettoyage/rangement inapproprié.
      - e. Autres articles non indiqués mais considérés pièces d'usure générale.
  7. RESPONSABILITÉS DU GARANT AUX TERMES DE CETTE GARANTIE : Réparation ou remplacement, au choix du Garant, de produits ou composants défectueux, ont connu une défaillance ou qui ne sont pas conformes pendant la durée de validité de la garantie.
  8. RESPONSABILITÉS DE L'ACHETEUR AUX TERMES DE CETTE GARANTIE :
    - A. Fournir des dossiers d'entretien pour présenter une demande sous garantie.
    - B. La livraison ou expédition des produits ou composants portatifs au Centre de service autorisé Maxus le plus près. Les frais de transport, si applicables, sont la responsabilité de l'acheteur.
    - C. Utilisation et entretien du produit avec un soin raisonnable, ainsi que le décrit le(s) manuel(s) d'utilisation.
  9. LORSQUE LE GARANT FOURNIT LA RÉPARATION OU LE REMPLACEMENT SOUS LA GARANTIE :
    - A. La réparation ou le remplacement se fera et sera établi conformément au déroulement du travail normal du centre de service et selon la disponibilité des pièces de rechange.
    - B. Si l'acheteur n'est pas satisfait des résultats du travail du Centre de service autorisé, il doit contacter le département du service des produits Maxus (voir le paragraphe 2).
- Cette Garantie limitée s'applique aux É.-U. et au Canada seulement et vous donne des droits juridiques précis. Vous pourriez aussi avoir d'autres droits qui varient d'une province, d'un état ou d'un pays à l'autre.

Sírvase leer y guardar estas instrucciones. Lea con cuidado antes de tratar de armar, instalar, manejar o darle servicio al producto descrito en este manual. Protéjase Ud. y a los demás observando todas las reglas de seguridad. El no seguir las instrucciones podría resultar en heridas y/o daños a su propiedad. Guarde este manual como referencia.



## Cabina de Chorreado de Mesa

### Descripción

La Cabina de chorreado de mesa Maxus está concebida para limpiar y quitar óxido, escamas y pintura. Este método es ideal para trabajos de raspar pinturas, brillar y grabar. Una cabina de chorreado mantiene las partículas de arena en un área cerrada y permite que sean recicladas. La cabina también retiene las partículas de polvo y una conexión de vacío puede quitar todo el polvo que se produzca durante el pulido con chorro de arena.

### Medidas de Seguridad

Este manual contiene información que es muy importante que sepa y comprenda. Esta información se la suministramos como medida de SEGURIDAD y para EVITAR PROBLEMAS CON EL EQUIPO. Debe reconocer los siguientes símbolos.

**PELIGRO** Esto le indica que hay una situación inmediata que LE OCASIONARIA la muerte o heridas de gravedad.

**ADVERTENCIA** Ésto le indica que hay una situación que PODRIA ocasionarle la muerte o heridas de gravedad.

**PRECAUCION** Ésto le indica que hay una situación que PODRIA ocasionarle heridas no muy graves.

**AVISO** Ésto le indica una información importante, que de no seguirla, le podría ocasionar daños al equipo.

### Desempaque

Después de desempacar, inspecciónelo cuidadosamente para detectar cualquier daño que pueda haber ocurrido durante el envío. Revise si hay partes dañadas, faltantes o sueltas.

### Informaciones Generales de Seguridad

#### PROPOSICIÓN DE CALIFORNIA 65

**PELIGRO** Cuando corta, lija, taladra o pule materiales como por ejemplo madera, pintura, metal, hormigón, cemento, u otro tipo de mampostería se puede producir polvo. Con frecuencia este polvo contiene productos químicos que se conocen como causantes de cáncer, defectos congénitos u otros daños reproductivos. Use equipo de protección.



**PELIGRO** Este producto o su cable de corriente pueden contener químicos, incluido plomo, que es conocido por el Estado de California como causante de cáncer y defectos de nacimiento u otros daños reproductivos. Lávese las manos después de manipularlo.

#### PELIGROS DE LA ABRASIÓN CON SILICE

**PELIGRO** El inhalar polvo de abrasivos que contienen sílice puede ser peligroso. La exposición puede causar SILICOSIS, una enfermedad pulmonar, u otros problemas respiratorios.

Cuando use una chorreadora abrasiva o limpie después del uso, póngase siempre un respirador homologado por NIOSH/MSHA.

**PELIGRO** ¡Peligro de incendio o explosión! No use nunca una chorreadora de arena cerca de líquidos, gases, polvos, trapos empapados de aceite u otros materiales inflamables o combustibles que puedan explotar o incendiarse. Algunos abrasivos producen chispas cuando golpean metal. Los abrasivos similares al óxido de aluminio pueden producir chispas de corriente estática. En un medio no seguro, estas chispas causarán incendios o explosiones que pueden resultar en muerte o lesiones personales graves. Para la seguridad suya y de las demás personas cerca, NO USE esta chorreadora de arena donde haya líquidos, gases, polvos, trapos empapados de aceite u otros materiales inflamables que puedan explotar o incendiarse.



Modelo MXS3000

**PRECAUCION** Los choques de electricidad estática pueden ser dolorosos. Algunos abrasivos similares al óxido de aluminio pueden crear electricidad estática mientras usted usa la chorreadora de arena. Si usted no tiene una conexión a tierra, la electricidad estática puede acumularse en su cuerpo y acusar un choque cuando usted toque un objeto metálico. Usted puede evitar la electricidad estática usando zapatos con suela de cuero y manteniendo los pies en el piso. Si fuese necesario, un cable conectado a tierra y a la pistola chorreadora



### Especificaciones

Dimensiones:  
 Espacio que ocupa: 58 cm A x 48 cm P (23 in. x 19 in.)  
 Altura total: 49 cm (19,25 in.)  
 Profundidad total: 50 cm (19,75 in.)  
 Ancho total: 63 cm (24,75 in.)  
 Altura del área de trabajo: 29 cm a 34 cm (11,5 in. a 13,5 in.)  
 Profundidad del área de trabajo: 46 cm a 47 cm (18 in. a 18,5 in.)  
 Ancho del área de trabajo: 55 cm a 60 cm (21,75 in. a 23,5 in.)  
 Abertura superior: 49 cm x 39 cm (19,25 in. A x 15,5 in. P)  
 Luz de trabajo fluorescente de 12V con entrada para 120VCA 60Hz, salida de 12V 800mA, fuente de energía clasificada Clase 2 UL.  
 Puerto de salida de vacío del lado derecho de DI 3,5 cm (1-3/8 in.) con filtro cónico de esponja y papel  
 bar máx. . . . . . 8,62  
 Entrada de aire . . . . . 6,4 mm (1/4 in.) NPT (hembra)  
 Capacidad del medio . . . . . 9,5 L (2,5 galones)

RECORDATORIO: ¡Guarde su comprobante de compra con fecha para fines de la garantía! Adjúntela a este manual o archívela en lugar seguro.

## Informaciones Generales de Seguridad (continuación)

de arena eliminará el peligro descargando la electricidad estática. Recuerde, usted no está conectado a tierra si está aislado del piso. Los zapatos con suela de caucho, las botas de caucho u otros zapatos de caucho o plástico son aislantes. Evite estar parado sobre madera seca (como una paleta de madera) un tapete o alfombra secos.

### INFORMACIONES GENERALES DE SEGURIDAD

**ADVERTENCIA** No use este producto en forma inadecuada.

La exposición excesiva a la vibración, trabajar en posiciones incómodas y los movimientos de trabajo repetitivos pueden causar lesiones a las manos y brazos. Deje de usar cualquier herramienta si aparece incomodidad, cosquilleo o dolor y consulte a un médico.

1. Lea este manual de instrucciones antes de conectar este dispositivo al compresor.



2. Durante el uso y la limpieza, es indispensable ponerse gafas de seguridad y un espirador homologado por NIOSH/MSHA.



3. Durante el uso, no exponga las manos o la piel directamente en la trayectoria de la boquilla de abrasión.
4. Después del montaje, revise para asegurarse de que todas las partes sellen adecuadamente.
5. No exceda la presión de funcionamiento máxima del equipo de abrasión (8,62 bar).

**ADVERTENCIA** Desconecte la cabina de la fuente de aire antes de cambiar o tratar de instalar accesorios, dar servicio, reubicar o realizar cualquier tipo de mantenimiento.

6. Antes de todo uso, asegúrese de que las mangueras y las tuberías de aire no presenten desgaste o puntos débiles. Verifique que todas las conexiones estén ajustadas antes de poner en funcionamiento.

**ADVERTENCIA** No apunte la pistola abrasiva hacia personas, u objetos que no sean la pieza de trabajo supuesta.

7. No presione el gatillo cuando conecte la manguera de abastecimiento de aire.

**PELIGRO** No trabaje cerca de tapetes sucios de aceite o líquidos inflamables. Cuando el medio de abrasión golpea el metal, puede causar chispas y crear un incendio o explosión.

**ADVERTENCIA** No pulverice ácidos o compuestos cáusticos.



Figura 1 - No pulverice ácidos o compuestos cáusticos.

## Instrucciones para Ensamblaje

**Nota:** Para el armado se necesitan un destornillador Phillips pequeño (P2) y una llave ajustable.

Retire la caja y demás piezas del paquete. Asegúrese de que no falte ninguna pieza (consulte la lista de piezas).

### Pistola y mangueras

- Coloque el otro extremo de la manguera de aire por completo en el conector dentado de entrada de la caja. Coloque y ajuste en forma segura una abrazadera pequeña para mangueras alrededor de la parte de la manguera que cubre la sección dentada.

- Coloque el extremo de la manguera de material completamente en el reborde de entrada de material de la herramienta. Coloque y ajuste en forma segura una abrazadera mediana para mangueras alrededor de la parte de la manguera que cubre el reborde.
- Coloque el otro extremo de la manguera de material aproximadamente a 1 in. a 2 in. (2,5 cm a 5 cm), en el extremo de diámetro pequeño del tubo de inmersión de metal. Coloque y ajuste en forma segura una abrazadera mediana para mangueras alrededor de la parte de la manguera que cubre el tubo de inmersión.
- Coloque los ensambles de la pistola y la manguera en la caja, introduciendo el tubo de inmersión debajo de la bandeja de piezas de tela de alambre. Coloque una arandela en el extremo roscado del conector de entrada de la caja, luego empuje el conector a través del orificio del lado inferior derecho de la caja. Coloque la otra arandela en el extremo que sobresale del conector (via Figura 2).
- Aplique la cinta teflón a la rosca del conector de entrada para reducir la posibilidad de fugas de aire. Enrosque el conector hembra en las roscas que sobresalen del conector de entrada de la caja y

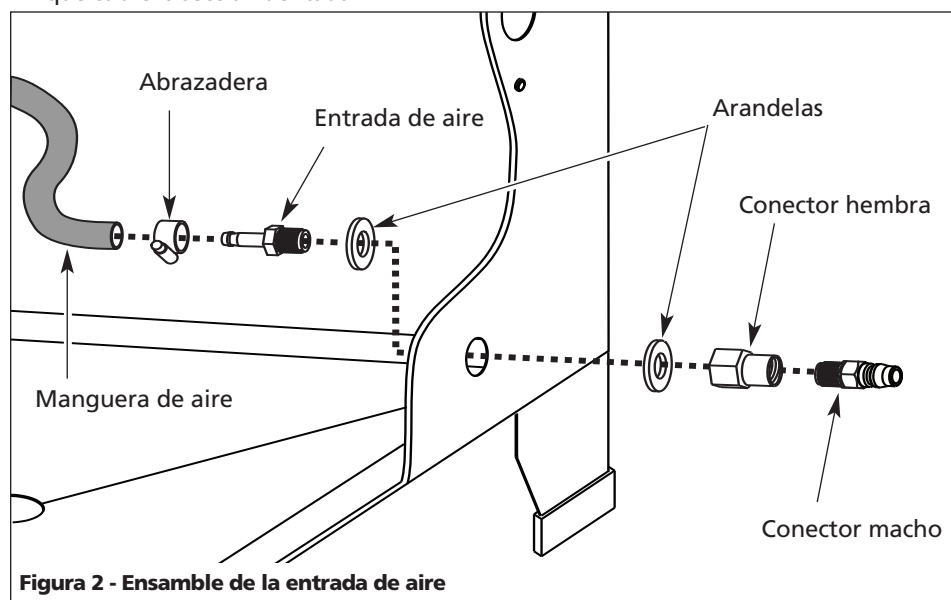


Figura 2 - Ensamble de la entrada de aire

## Instrucciones para Ensamblaje (continuación)

ajuste en forma segura. Asegúrese de que las partes planas de la llave del conector hembra queden empotradas en la caja (ver Figura 2).

### Seguros de las puertas

- Coloque los seguros de las puertas de plástico negro sobre los orificios que están en los bordes de la parte superior de la caja. Asegure cada uno de ellos a la parte superior de la caja utilizando un perno de 1 in. (2,5 cm) y una tuerca nylock. Apriete con firmeza pero no excesivamente.

### Filtro de la caja

- Coloque el filtro de esponja redondo en la cubierta del filtro de la caja. Coloque la cubierta del filtro sobre el orificio grande que está en la parte trasera de la caja, alineando los orificios sobre el borde de la cubierta con los pilares por arriba y por debajo del orificio de la caja. Gire y trabe.

### Lámpara

- Asegúrese de que la alimentación de energía no esté enchufada al interruptor de salida de la lámpara. Coloque la caja del interruptor de la lámpara sobre el extremo libre del cable de la lámpara. Conecte las terminales indicadoras del cable de la lámpara a las terminales del interruptor de la lámpara marcada "2". El cable marrón va arriba (cerca del "2"), el cable azul va directamente debajo. Asegure la caja del interruptor de la lámpara a la caja utilizando 2 (dos) pernos de 8 mm (5/16 in.) de largo, tuercas y arandelas de presión. Apriete en forma segura.

## Funcionamiento

Una vez terminado el ensamblaje completo de la cabina de chorreado, siga estas instrucciones antes de conectar el abastecimiento de aire a la cabina.

- Coloque la cabina sobre la mesa o banco donde usted desea hacer el trabajo.
- Conecte el abastecimiento de aire (máx. 8,62 bar) al conector situado en el lado de la cabina (ver Figura 3).

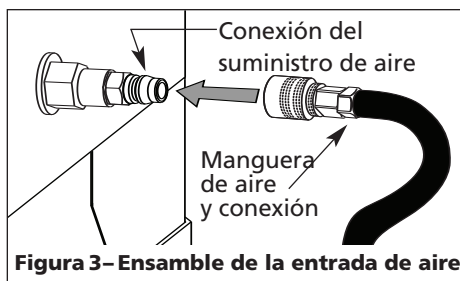


Figura 3 – Ensamble de la entrada de aire

- Verifique que no hayan fugas. Si encuentra alguna, repárela o aplique cinta teflón si fuera necesario.
- Conecte la fuente de energía de 12 voltios en un tomacorriente de pared de 110 voltios.
- Luego de asegurarse de que el interruptor esté en la posición de apagado (O), enchufe el otro extremo del cable de corriente de 12 V en el interruptor de luz de la cabina (ver Figura 4).
- Asegúrese de que la luz funcione. Puede rotarse para evitar que la luz destelle directamente en los ojos del operador.
- Coloque un pequeño protector de ventana (incluido) en la superficie interna de la puerta de vidrio.
- Asegúrese que la manguera del material sea sujeta fuertemente al tubo más pequeño (y no toque el tubo más grande) del tubo metálico de entrada (v Figura 5).

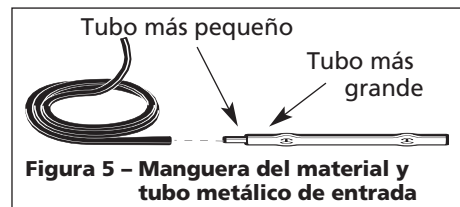


Figura 5 – Manguera del material y tubo metálico de entrada

- Coloque el extremo del tubo de entrada en la mitad de la cabina donde la profundidad del medio de abrasión es mayor. Hay guías metálicas para ayudar a estabilizar el tubo de recolección (ver Figura 6).

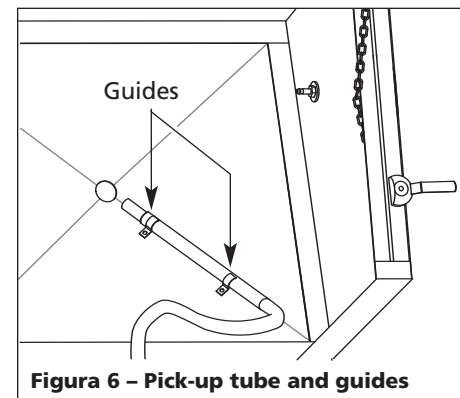


Figura 6 – Pick-up tube and guides

- Colóquese un respirador aprobado por NIOSH/MSHA y gafas de protección.
- Vierta el material para el chorreado en el depósito de la cabina. Asegúrese de que la manguera de salida del material esté completamente cubierta.

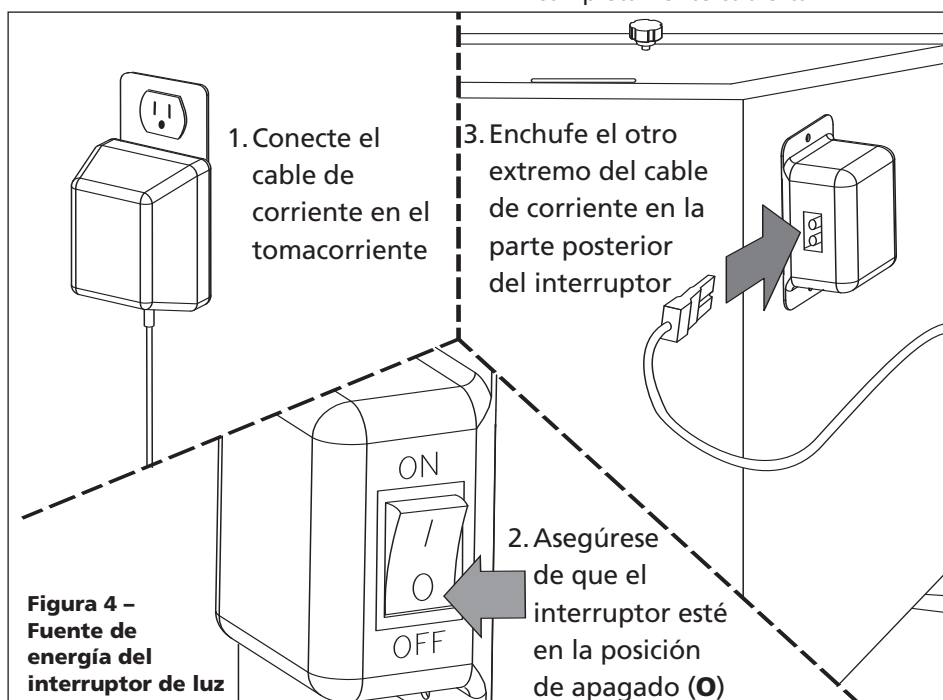


Figura 4 – Fuente de energía del interruptor de luz

## Funcionamiento (continuación)

**⚠ PELIGRO** *Puede crear polvo cuando se vierte o se drena el material abrasivo de la cabina de chorreado. Use una máscara y gafas protectoras cuando drene el material de chorreado.*

12. Coloque la pieza que desea limpiar dentro de la cabina.
13. Cierre la puerta con seguro.
14. Si debe usar vacío para quitar el polvo del material de chorreado:
  - A. Quite el filtro de aire de la parte trasera de la cabina (este filtro está diseñado para ser usado cuando NO se aplica vacío)
  - B. Instale un adaptador del tamaño adecuado al extremo de la manguera de vacío e introdúzcala en el puerto a la derecha de la cabina. Si no tiene disponible un adaptador del tamaño correcto, cualquier tipo de método de conexión que selle adecuadamente funcionará bien.
15. Póngase los guantes, apunte la pistola chorreadora a la superficie que desea limpiar y hale el gatillo.
16. Una malla de metal regular colocada en la rejilla de la cabina puede ayudar a evitar que pequeños elementos se pierdan en la tolva.

## Mantenimiento

### Limpieza

La cubierta plástica de la puerta debe limpiarse con un paño suave y húmedo. NUNCA use solventes para limpiar las piezas de plástico. Las mismas podrían disolverse o podría dañar el material de otro modo.

### Cómo cambiar la boquilla de cerámica de la pistola

La cabina de chorreado está equipada con una boquilla de cerámica que controla el flujo del material abrasivo a medida que sale de la pistola de pulverización. La boquilla crea una abertura más pequeña para la salida del material lo cual le da una pulverización más fina y más fácil de controlar.

Se incluyen repuestos para la boquilla de cerámica. Se incluyen los repuestos para la boquilla de cerámica. Para cambiar una boquilla, desatornille la cubierta metálica exterior de la boquilla y quite la vieja boquilla de cerámica. Introduzca la nueva boquilla y vuelva a colocar la cubierta metálica.

### Drenaje del material abrasivo

La cabina de chorreado está equipada con un drenaje para una fácil limpieza de los materiales abrasivos. El piso de la cabina de chorreado tiene una pendiente hacia el centro, en donde se encuentra el drenaje.

Para quitar el material de chorreado:

1. Asegúrese de que el suministro de aire esté desconectado antes de realizar cualquier tipo de drenaje.
2. Asegure la cabina en una posición elevada que deje espacio para colocar un recipiente debajo del tapón.
3. Coloque un recipiente a 10,16 cm (4 pulg.) de la abertura de drenaje.
4. Quite el tapón del drenaje y permita que el material se drene de la cabina. NO sacuda la cabina. Sacudir la cabina podría hacer que el material se derramara y crear polvo que puede ser peligroso si se inhala.

**⚠ PELIGRO** *Puede crear polvo cuando se vierte o se drena el material abrasivo de la cabina de chorreado. Use una máscara y gafas protectoras cuando drene el material de chorreado.*

5. Cualquier exceso de material puede ser empujado al drenaje con un cepillo. NO use la pistola de chorreado para soplar aire para drenar el material abrasivo. Hacerlo puede crear polvo que puede ser peligroso si se inhala.

### Almacenamiento

1. Coloque el interruptor de encendido/apagado en la posición de apagado (OFF).
2. Desconecte el cable del tomacorriente.

3. Desconecte el suministro de aire de la cabina de chorreado
4. Quite el material abrasivo de la cabina usando el drenaje.
5. Guarde en un lugar seco y fresco.

### Servicio

**⚠ PRECAUCION** *El servicio de la herramienta debe ser realizado sólo por personal de reparación calificado y por un CENTRO DE SERVICIO AUTORIZADO. El servicio o mantenimiento realizado por personal no calificado puede resultar en riesgo o lesión.*

Para obtener información sobre el funcionamiento o reparación de este producto, llame al 1-800-424-8936.

## Materiales Abrasivos para Arenadoras

Los materiales abrasivos vienen en diferentes tamaños de grano y a veces vienen clasificados como extra finos, finos, medianos, gruesos, y extra gruesos. Al número más elevado del grano corresponde el tamaño más pequeño de la partícula; al número más pequeño del grano corresponde el tamaño más grande de la partícula. Los abrasivos de vidrio vienen en perlas, esquirlas o moledura. El óxido de aluminio y el carburo silíceo pueden presentarse en diferentes colores. Hoy se consiguen con facilidad mezclas de vidrio y óxido de aluminio.

## Materiales abrasivos - no recomendados

Aún si disponibles en el mercado, ciertos materiales abrasivos no son recomendados debido a los riesgos mecánicos y/o personales que implican.

La arena silícea, un material abrasivo común, implica riesgos para la salud debido a su contenido de sílice. En muchos estados su uso está limitado.

La arena de playa (arena para recintos infantiles) es un material abrasivo fácilmente disponible y económico. Este material fuertemente abrasivo puede contener residuos que causan la obstrucción del equipo.



## Materiales abrasivos - no recomendados

La limadura de acero produce una preparación ideal para la aplicación de pintura nueva. Este material debe usarse sólo en un armario especial para abrasión diseñado para este material.

Las perlas de acero, un material esférico y sólido, dejan hoyuelos en la superficie después del rociado. Este material es muy denso y debe usarse sólo en un armario especial para abrasión diseñado para este material.

## Materiales abrasivos comunes

A continuación se indican los materiales abrasivos más comúnmente disponibles y sus usos.

La cáscara de nuez es uno de los materiales orgánicos más versátiles debido a su forma angular y durable. Todavía se lo considera como un material blando, pero es apto para el uso con piezas delicadas. Puede usarse como un material económico y biodegradable para esmerilado suave que no deba rasguñar o dañar la superficie.

Las perlas de vidrio son hoy en día el abrasivo más común y de uso más general. Puede usarse para rectificar, brillar, esmerilar, suavizar, brillar, quitar virutas pequeñas, esmerilar vidrio, y limpiar muchos materiales blandos. Los usos más comunes son la remoción de pintura, óxido, y residuos superficiales. La abrasión con perlas de vidrio en general no cambia las dimensiones de la pieza de trabajo. Las perlas de vidrio producen un acabado más brillante que los abrasivos angulares. Las perlas pueden reciclarse y usarse repetidamente.

El vidrio molido es un abrasivo muy agresivo. Es usado para una limpieza general y económica.

El plástico es disponible en una variedad de tamaños y materiales (urea, acrílico, poliéster, y melamina). Estos materiales son aptos para aplicaciones como la restauración de automóviles para conseguir un raspado rápido sin dañar o deformar el sustrato.

El óxido de aluminio marrón es un abrasivo de amplio uso. Este material produce una superficie texturizada, apta para la reparación de superficies para pintar. Es excelente para quitar materiales extraños bastos, virutas, y para grabar vidrio y piedra. Es un abrasivo rápido que puede usarse muchas veces. Su costo inicial es elevado, pero actúa rápidamente, reduciendo el tiempo de abrasión.

### Guía de materiales abrasivos comunes

Rango del Grano	Tipo de Abrasivo	Durabilidad del Abrasivo	Nivel de Polvo	Costo Relativo
35-60	Cáscara de nuez	Buena	Elevado	Bajo
25-325	Perlas de vidrio	Mejor	Bajo	Bajo
25-70	Vidrio molido	Mejor	Bajo	Bajo
30-40	Plásticos	Mejor	Bajo	Elevado
24-400	Óxido de aluminio marrón	Óptima	Bajo	Medio-Elevado
150-240	Óxido de aluminio blanco	Óptima	Bajo	Elevado
50-100	Mezcla de aluminio/vidrio	Óptima	Bajo	Mediano
24-240	Carburo silíceo	Óptima	Bajo	Elevado

### Abrasivos comerciales disponibles

Acrílico	Pómez
Óxido de aluminio	Arena
Perlas de cerámica	Carburo silíceo
Mazorca de maíz	Bicarbonato de sodio (soda)
Granate	Almidón
Perlas de vidrio	Limadura de acero
Vidrio molido	Perlas de acero
Melamina	Urea
Cáscara de pecano	Cáscara de nuez
Poliéster	Consulte su proveedor de materiales abrasivos para sugerencias.

LA HOJA DE DATOS DE SEGURIDAD DEL MATERIAL (MSDS) PUEDE OBTENERSE DE SU ABASTECEDOR DE MATERIAL ABRASIVO.

### HUMEDAD EN EL AIRE COMPRIMIDO

Al comprimir el aire, la humedad en ella contenida produce agua en el tanque del compresor. Cuando el nivel de humedad es muy alto o cuando el compresor ha estado en uso continuo por mucho tiempo, ésta se acumula en el tanque. Durante el trabajo de abrasión, esta agua viene transportada desde el tanque por la manguera y se combina con los medios de abrasión.

**IMPORTANTE:** ESTA MEZCLA DE AGUA Y MATERIAL ABRASIVO OBSTRUYE EL SISTEMA. LA CHORREADORA DEJARÁ DE FUNCIONAR.

Un secador de aire comprimido y/o un separador de agua ayudará a resolver este problema.

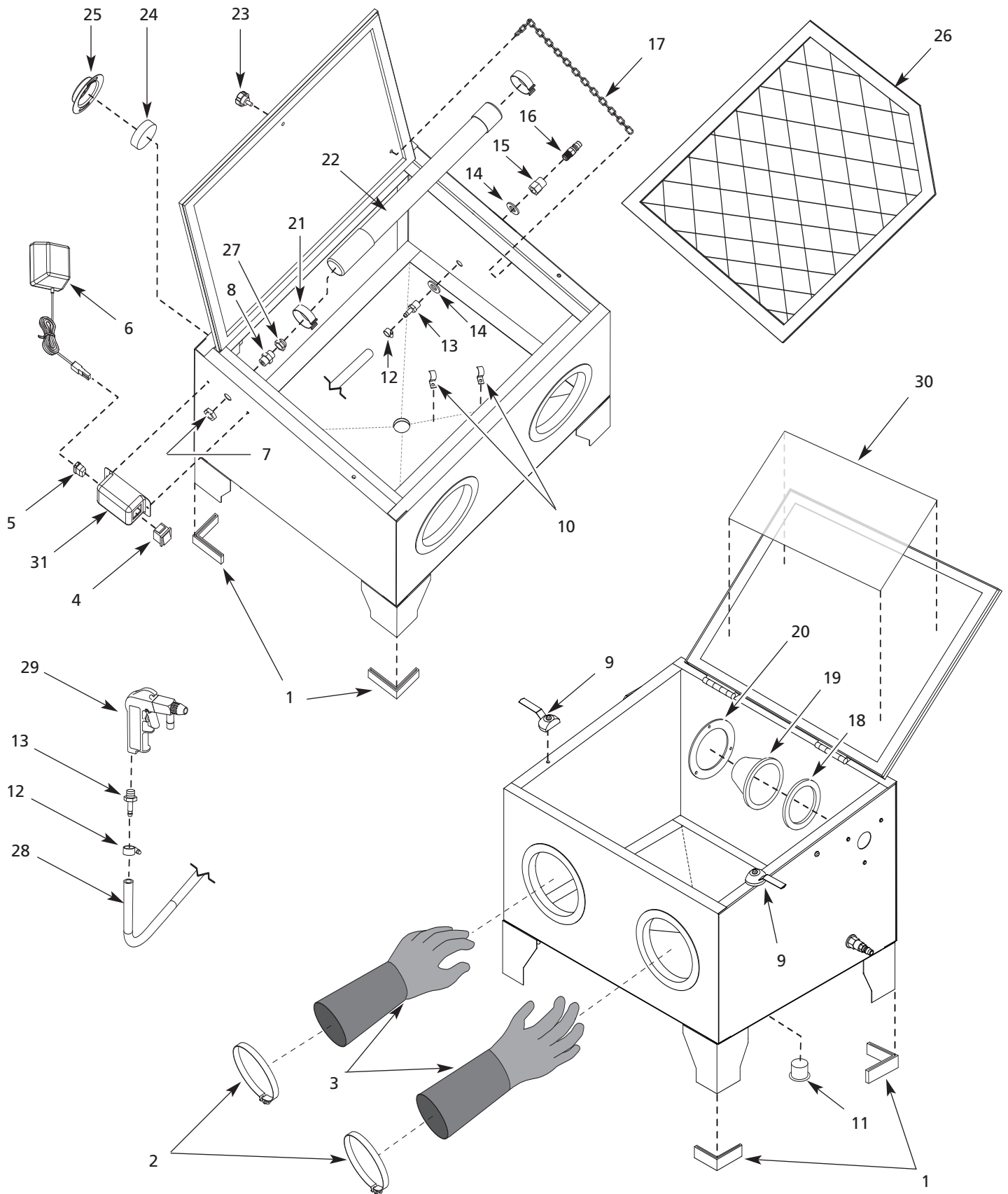
## Tabla de diagnóstico de averías

Síntoma	Causa(s) posible(s)	Acciones a tomar
Presión baja o no hay presión en la herramienta	<ol style="list-style-type: none"> <li>1. El regulador está ajustado incorrectamente</li> <li>2. La manguera tiene un quiebre</li> <li>3. El filtro del compresor está sucio</li> </ol>	<ol style="list-style-type: none"> <li>1. Reajuste el regulador</li> <li>2. Enderece la manguera</li> <li>3. Limpie o reemplace el filtro</li> </ol>
El material abrasivo no sale de la pistola	<ol style="list-style-type: none"> <li>1. La manguera del material está obstruida</li> <li>2. Hay acumulación en el propulsor</li> <li>3. Material húmedo o muy pesado</li> <li>4. Hay agua en el suministro de aire</li> </ol>	<ol style="list-style-type: none"> <li>1. Reduzca la presión a menos de 40 psi. Sostenga firmemente la punta de la pistola contra el piso y hale el gatillo para forzar el material fuera de la manguera</li> <li>2. Quite la boquilla y limpie alrededor del propulsor</li> <li>3. Reemplace el abrasivo con abrasivo seco. (El material húmedo puede secarse y volver a usar)</li> <li>4. Drene el tanque del compresor e instale un separador de agua - Vea la sección "Humedad en el Aire Comprimido"</li> </ol>
La pistola no cesa de rociar - gatillo atascado	Los anillos en O de la válvula de aire están dañados	Reemplace los anillos en O
Chisporreo - sistema de vacío insuficiente	<ol style="list-style-type: none"> <li>1. El propulsor y/o la boquilla están desgastados</li> <li>2. Hay acumulación de abrasivo en el propulsor/boquilla</li> </ol>	<ol style="list-style-type: none"> <li>1. Reemplace el propulsor y/o la boquilla</li> <li>2. Quite la boquilla y el propulsor y límpielos. Asegúrese de que las roscas estén limpias antes de volver a montar</li> </ol>
Chisporreo - fuga de aire/abrasivo en la boquilla/propulsor	<ol style="list-style-type: none"> <li>1. La boquilla o el propulsor están sueltos</li> <li>2. El anillo en O está dañado</li> </ol>	<ol style="list-style-type: none"> <li>1. Apriete la boquilla o el propulsor</li> <li>2. Reemplace el anillo en O</li> </ol>
Chisporreo - fuga de vacío	<ol style="list-style-type: none"> <li>1. La manguera del material está floja</li> <li>2. El anillo en O está dañado</li> </ol>	<ol style="list-style-type: none"> <li>1. Apriete la manguera del material</li> <li>2. Reemplace el anillo en O</li> </ol>
Chisporreo - obstrucción por partículas	El orificio del conector de la manguera está cubierto	Destape el orificio del conector de la manguera

## Usos Sugeridos

Tipos de Abrasivo (Cernido/Tamaño)	Aplicación	Distancia de la pieza de trabajo	bar	Sugerencias
Perlas de vidrio	Para grabar vidrio	2,54 cm - 10,16 cm (1 - 4 in.)	2,76 - 6,21	Mueva la pistola adelante y atrás siguiendo un patrón como si estuviera usando una brocha. Rocíe en un ángulo de 90°. Para un brillo fino, use perlas de vidrio como abrasivo.
Cáscara de nuez molida	Preparación o meteorización de madera	5,08 cm - 15,24 cm (2 - 6 in.)	2,76 - 6,21	Aplique movimientos como de brocha y observe cuidadosamente la intensidad de la abrasión. La madera blanda se desgasta más rápidamente que la madera dura. El abrasivo de grano pequeño produce un acabado más fino. Empiece con presión baja y aumentela gradualmente. Rocíe en un ángulo de 45°.
Perlas de vidrio, cáscara de nuez molida	Lijado de madera y acabado de muebles	2,54 cm - 15,24 cm (1 - 6 in.)	2,76 - 4,83	Aplique movimientos como de brocha y observe cuidadosamente la intensidad de la abrasión. Use cáscara de nuez para un acabado rústico y perlas de vidrio para el acabado final. Rocíe en un ángulo de 45°.
Óxido de aluminio	Limpieza de repuestos de automóviles	2,54 cm - 110,16 cm (1 - 4 in.)	2,76 - 5,52	Use material abrasivo de grano mayor para las áreas no a la vista. Si el material de base queda dañado, use un abrasivo de grano menor. Rocíe en un ángulo entre 80 y 90°.
Cáscara de pecano o nuez molida y mazorca molida	Limpieza o preparación para la pintura	2,54 cm - 15,24 cm (1 - 6 in.)	2,76 - 8,62	Aplique movimientos como de brocha y observe cuidadosamente la intensidad de la abrasión. La madera blanda se desgasta más rápidamente que la madera dura. El abrasivo de grano pequeño produce un acabado más fino. Empiece con presión baja y aumentela gradualmente. Rocíe en un ángulo entre 45 y 60°.
Óxido de aluminio (50-80)	Limpieza o raspado de equipo expuesto al intemperie	2,54 cm - 7,62 cm (1 - 3 in.)	3,45 - 8,62	Retire la pintura descascarada con un cepillo de alambre, luego rocíe con un abrasivo de grano grueso. Es necesario raspar primero las capas múltiples de pintura vieja. Después de rociar con abrasivo, aplique de inmediato un imprimador para evitar la corrosión. Rocíe en un ángulo entre 45 y 60°.

**NOTA:** El abrasivo que no ha sido limpiado y tamizado puede contener material que obturará la boquilla de la pistola y no debería usarse. Use baja presión de aire [4, 14 bar (60 psi) o menos] para los metales blandos, vidrio y madera. Use una presión más elevada para aceros duros; no exceda los 8,62 bar (125 psi).



## Para Ordenar Repuestos o Asistencia Técnica, Sírvase Llamar al distribuidor más cercano a su domicilio

Sírvase darnos la siguiente información

- Número del modelo
- Código de fecha (de haberlo)
- Descripción y número del repuesto según la lista de repuestos

Puede escribirnos a:

Attn: Customer Service  
100 Production Drive  
Harrison, OH 45030

### Lista De Repuestos

No. de Ref.	Descripción	Número del Repuesto	Ctd.
1	Cubierta de las patas †	SV611000AV	4
2	Abrazaderas grandes para manguera	SV611100AV	2
3	Guante	SV611200AV	2
4	Interruptor de la lámpara †	SV611300AV, ▲	1
5	Salida del interruptor †	SV611600AV, ▲	1
6	Fuente de energía	SV611800AV	1
7	Tuerca hexagonal de plástico †	SV612000AV, ●	1
8	Alimentación directa de plástico †	SV612100AV, ●	1
9	Seguro de la puerta †	SV612200AV	2
10	Abrazadera del tubo †	SV612300AV	2
11	Tapón de plástico	SV612500AV	1
12	Abrazadera pequeña para mangueras	◇	2
13	Conector del extremo de la manguera de 6,4 mm (1/4 in.)(conector de entrada de la cabina)	○	2
14	Arandelas (se muestran para saber la ubicación únicamente)	✱	—
15	Conector hembra	SV613100AV	1
16	Tapón I/M (macho) de 6,4 mm (1/4 in.) NPT	HF001300AV	1
17	Cadena	■	—
18	Sello grande de goma	◆	1
19	Filtro de esponja y papel de vacío	◆	1
20	Anillo de retención	SV613700AV	1
21	Sujetador de la lámpara †	SV613800AV	2
22	Lámpara	●	1
23	Pomo †	SV614100AV	1
24	Filtro de la caja	SV614300AV	1
25	Caja del filtro	SV614400AV	1
26	Bandeja de piezas	□	1
27	Tuerca ciega abierta de plástico †	SV615500AV, ●	1
28	Manguera de aire de 6,4 mm (1/4 in.)	SV615400AV	1
29	Pistola	AT212000AV	—
30	Cubierta de la puerta de plástico	▼	3
31	Caja del interruptor de la lámpara	▲	1
	Etiqueta adhesiva de advertencia	DK765000AV	

La demás ferretería de la caja que no figura aquí es ferretería estándar que está disponible en tiendas de ferretería locales.

- † Este pedido requiere un aviso previo de 6 a 8 semanas
- ✱ Artículo estándar de ferretería
- No Disponible

#### JUEGOS DE PIEZAS DE REPUESTO (Los kits incluyen las herramientas necesarias)

●	Juego de la lámpara	SKS30001AV
▲	Juego del interruptor de la lámpara	SKS30002AV
■	Juego de la cadena	SKS30003AV
◆	Juego de filtros de vacío	SKS30004AV
□	Juego de la bandeja de piezas	SKS30005AV
▼	Juego de la cubierta de la puerta de plástico (5)	SKS30006AV
○	Juego del extremo de la manguera (2) de 6,4 mm (1/4 in.)	SKS30007AV
◇	Juego de la abrazadera pequeña para mangueras (5)	SKS30008AV
	Juego de boquilla de carbono (no se muestra)	MXS40003AV
	Juego de boquilla de cerámica (no se muestra)	MXS40002AV

## **Garantía Limitada – Chorreadoras**

1. DURACIÓN: A partir de la fecha de compra por parte del comprador original del modo siguiente: durante 5 (cinco) años, con las excepciones que se detallan a continuación.
  2. QUIÉN OTORGA ESTA GARANTÍA (GARANTE): Maxus, 100 Production Drive, Harrison, Ohio, 45030  
Teléfono: 1-888-Maxus4U (1-888-629-8748) – www.maxustools.com
  3. QUIÉN RECIBE ESTA GARANTÍA (COMPRADOR): El comprador original (sin fines de reventa) del producto de Maxus.
  4. QUÉ PRODUCTOS ESTÁN CUBIERTOS POR ESTA GARANTÍA: Toda chorreadora de Maxus suministrada y fabricada por el Garante.
  5. QUÉ ESTÁ CUBIERTO POR ESTA GARANTÍA: Defectos en los materiales y en la mano de obra con las excepciones que se detallan a continuación.
  6. QUÉ NO ESTÁ CUBIERTO POR ESTA GARANTÍA:
    - A. Las garantías implícitas, incluyendo aquellas de comercialización y APTITUD PARA UN PROPÓSITO DETERMINADO ESTÁN LIMITADAS DESDE LA FECHA DE COMPRA ORIGINAL SEGÚN SE ESTABLECE EN LA DURACIÓN. Si este producto es empleado para alquiler, la garantía será aplicable durante 90 (noventa) días a partir de la fecha de compra. En algunos estados no se permiten las limitaciones a la duración de una garantía implícita, por lo cual las limitaciones antedichas pueden no ser aplicables en su caso.
    - B. CUALQUIER PÉRDIDA, DAÑO O GASTO INCIDENTAL, INDIRECTO O CONSECUENTE QUE PUEDA RESULTAR DE CUALQUIER DEFECTO, FALLA O MAL FUNCIONAMIENTO DEL PRODUCTO. En algunos estados no está permitida la exclusión ni la limitación de los daños incidentales o consecuentes, por lo cual la limitación o exclusión antedicha puede no ser aplicable en su caso.
    - C. Cualquier fallo que sea el resultado de accidente, abuso, negligencia por parte del comprador o si éste no hace funcionar los productos de acuerdo con las instrucciones proporcionadas en el(los) manual(es) del propietario que se entrega(n) con el producto.
    - D. Servicio previo a la entrega, es decir, armado, filtrado y ajuste.
    - E. Ajustes normales o artículos fungibles que se explican en el(los) manual(es) del propietario que se entregan con el producto incluyendo, pero sin limitarse a, piezas sujetas a desgaste normal tales como boquillas, inyectores de aire, bloques de sellado, válvulas, anillos en O, conexiones de mangueras, mangueras y pistolas.
    - F. Artículos o servicios que exijan el reemplazo periódico para mantener el producto, es decir, filtros, juntas, válvulas, etc.
    - G. Artículos adicionales no cubiertos por esta garantía:
      - a. Todo componente dañado durante el envío o toda falla causada al instalar u operar la unidad bajo condiciones que no estén de acuerdo con las pautas de instalación y funcionamiento.
      - b. Fallas causadas por lluvia, humedad excesiva o entornos corrosivos.
      - c. Defectos estéticos que no interfieren con la funcionalidad de la chorreadora.
      - d. Tanques oxidados incluyendo, pero sin limitarse a, óxido debido a limpieza/almacenamiento inadecuado.
      - e. Otros artículos que no estén enumerados pero que se consideren piezas de desgaste general.
  7. RESPONSABILIDAD DEL GARANTE EN VIRTUD DE ESTA GARANTÍA: Según elija el Garante, la reparación o el reemplazo del producto o los componentes que estén defectuosos, que hayan funcionado en forma inadecuada y/o que no hayan cumplido con su función dentro de la duración del período de la garantía.
  8. RESPONSABILIDAD DEL COMPRADOR EN VIRTUD DE ESTA GARANTÍA:
    - A. Proporcionar registros de mantenimiento para hacer el reclamo de garantía.
    - B. Los productos o componentes portátiles deben entregarse o enviarse al centro de Servicio autorizado de Maxus. Los costos de flete, si los hubiera, correrán por cuenta del comprador.
    - C. Emplee un cuidado razonable para el manejo y el mantenimiento de los productos, según se describe en el (los) manual(es) del propietario.
  9. EN QUÉ CASOS EL GARANTE PROPORCIONARÁ REPARACIÓN O REEMPLAZO EN VIRTUD DE ESTA GARANTÍA:
    - A. La reparación o el reemplazo se establecerán y se llevarán a cabo de acuerdo al flujo de trabajo normal en la instalación de servicio, y dependerá de la disponibilidad de piezas de repuesto.
    - B. Si el comprador no obtiene resultados satisfactorios del Centro de servicio autorizado, el comprador debe ponerse en contacto con el Departamento de servicio a los productos de Maxus (ver párrafo 2).
- Esta garantía limitada se aplica únicamente en los EE.UU. y Canadá y le proporciona derechos legales específicos. Puede que también tenga otros derechos que pueden variar de un estado a otro, o de un país a otro.







## Free Manuals Download Website

<http://myh66.com>

<http://usermanuals.us>

<http://www.somanuals.com>

<http://www.4manuals.cc>

<http://www.manual-lib.com>

<http://www.404manual.com>

<http://www.luxmanual.com>

<http://aubethermostatmanual.com>

Golf course search by state

<http://golfingnear.com>

Email search by domain

<http://emailbydomain.com>

Auto manuals search

<http://auto.somanuals.com>

TV manuals search

<http://tv.somanuals.com>