

SmartSwitch 9000  
9T122-24  
User's Guide

9031206-02

**CABLETRON**  
*SYSTEMS*  
The Complete Networking Solution™



## Notice

Cabletron Systems reserves the right to make changes in specifications and other information contained in this document without prior notice. The reader should in all cases consult Cabletron Systems to determine whether any such changes have been made.

The hardware, firmware, or software described in this manual is subject to change without notice.

IN NO EVENT SHALL CABLETRON SYSTEMS BE LIABLE FOR ANY INCIDENTAL, INDIRECT, SPECIAL, OR CONSEQUENTIAL DAMAGES WHATSOEVER (INCLUDING BUT NOT LIMITED TO LOST PROFITS) ARISING OUT OF OR RELATED TO THIS MANUAL OR THE INFORMATION CONTAINED IN IT, EVEN IF CABLETRON SYSTEMS HAS BEEN ADVISED OF, KNOWN, OR SHOULD HAVE KNOWN, THE POSSIBILITY OF SUCH DAMAGES.

© Copyright March 1998 by:

Cabletron Systems, Inc.  
35 Industrial Way  
Rochester, NH 03867-5005

All Rights Reserved  
Printed in the United States of America

Order Number: 9031206-02

**LANVIEW** is a registered trademark, and **SmartSwitch** is a trademark of Cabletron Systems, Inc.

**CompuServe** is a registered trademark of CompuServe, Inc.

**i960 microprocessor** is a registered trademark of Intel Corp.

**Ethernet** is a trademark of Xerox Corporation.

## FCC Notice

This device complies with Part 15 of the FCC rules. Operation is subject to the following two conditions: (1) this device may not cause harmful interference, and (2) this device must accept any interference received, including interference that may cause undesired operation.

**NOTE:** This equipment has been tested and found to comply with the limits for a Class A digital device, pursuant to Part 15 of the FCC rules. These limits are designed to provide reasonable protection against harmful interference when the equipment is operated in a commercial environment. This equipment uses, generates, and can radiate radio frequency energy and if not installed in accordance with the operator's manual, may cause harmful interference to radio communications. Operation of this equipment in a residential area is likely to cause interference in which case the user will be required to correct the interference at his own expense.

**WARNING:** Changes or modifications made to this device which are not expressly approved by the party responsible for compliance could void the user's authority to operate the equipment.

## VCCI Notice

This is a Class A product based on the standard of the Voluntary Control Council for Interference by Information Technology Equipment (VCCI). If this equipment is used in a domestic environment, radio disturbance may arise. When such trouble occurs, the user may be required to take corrective actions.

この装置は、情報処理装置等電波障害自主規制協議会（VCCI）の基準に基づくクラスA情報技術装置です。この装置を家庭環境で使用すると電波妨害を引き起こすことがあります。この場合には使用者が適切な対策を講ずるよう要求されることがあります。

## DOC Notice

This digital apparatus does not exceed the Class A limits for radio noise emissions from digital apparatus set out in the Radio Interference Regulations of the Canadian Department of Communications.

Le présent appareil numérique n'émet pas de bruits radioélectriques dépassant les limites applicables aux appareils numériques de la class A prescrites dans le Règlement sur le brouillage radioélectrique édicté par le ministère des Communications du Canada.

## DECLARATION OF CONFORMITY ADDENDUM

Application of Council Directive(s): **89/336/EEC  
73/23/EEC**

Manufacturer's Name: **Cabletron Systems, Inc.**

Manufacturer's Address: **35 Industrial Way  
PO Box 5005  
Rochester, NH 03867**

European Representative Name: **Mr. J. Solari**

European Representative Address: **Cabletron Systems Limited  
Nexus House, Newbury Business Park  
London Road, Newbury  
Berkshire RG13 2PZ, England**

Conformance to Directive(s)/Product Standards: **EC Directive 89/336/EEC  
EC Directive 73/23/EEC  
EN 55022  
EN 50082-1  
EN 60950**

Equipment Type/Environment: **Networking Equipment, for use in a  
Commercial or Light  
Industrial Environment.**

We the undersigned, hereby declare, under our sole responsibility, that the equipment packaged with this notice conforms to the above directives.

Manufacturer

Mr. Ronald Fotino

Full Name

Principal Compliance Engineer

Title

Rochester, NH, USA

Location

Legal Representative in Europe

Mr. J. Solari

Full Name

Managing Director - E.M.E.A.

Title

Newbury, Berkshire, England

Location



## Chapter 1 Introduction

Features.....	1-1
Related Manuals.....	1-4
Getting Help .....	1-4

## Chapter 2 Installation

Installing the MicroLAN Module .....	2-1
The Reset Switch .....	2-3
User-Accessible Components.....	2-4
Setting the Module Card DIP Switch .....	2-5
Ring Speed .....	2-6
Multi-Ring Out Capability.....	2-7

## Chapter 3 Operation

Bridging.....	3-2
Transparent Bridging.....	3-2
Source Route Bridging .....	3-3
Spanning Tree Algorithm.....	3-3
Flexible Network Bus (FNB).....	3-4
System Management Buses .....	3-4
SMB-1 Bus .....	3-4
SMB-10 Bus .....	3-4
System Diagnostic Controller.....	3-5
DC/DC Converter .....	3-5
FNB Interface .....	3-5
i960 Core.....	3-5

## Chapter 4 LANVIEW LEDs

## Chapter 5 Specifications

Safety.....	5-1
Service.....	5-1
Physical.....	5-2
Dimensions: .....	5-2
Weight:.....	5-2
Electrical .....	5-2





## Introduction

The 9T122-24 MicroLAN™ Switch Module, shown in Figure 1-1, is a three port Token Ring bridge and router module. This module supports either one token ring with 24 HUB connections, or two separate Token Rings with 12 HUB connections, and an interface to the FNB backplane.

## Features

### Processor

The 9T122-24 is equipped with an advanced Intel i960 microprocessor. This microprocessor provides a platform for all management functions within a scalable RISC-based architecture.

### System Management

Interfaces to the two System Management Buses (SMB-1 and SMB-10) for intermodule management.

### Connectivity

The 9T122-24 provides 24 RJ-45 Trunk Coupling Unit (TCU) lobe connectors. The connectors may be configured as one 24-port ring (**default**) or two 12-port rings.

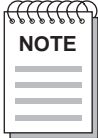
### Bridging/Routing

Bridging/Routing between the front panel Token Ring connections and/or to any other module in the chassis via FNB-1 or FNB-2 of the FNB bus. The module is capable of Transparent Bridging or Source Route Bridging. IEEE 802.1d Spanning Tree Protocol is supported in all bridging functions. Translational bridging between Source Routing and Transparent Frames types is also performed.

### **Management Information Base (MIB) Support**

The 9T122-24 module provides MIB support including:

- IETF MIB II (RFC 1213)
- IETF RMON MIB (RFC 1271 and 1513)
- IETF Bridge MIBs (RFC 1493 and 1525)
- IEEE 802.5 Token Ring MIB (RFC 1231)
- Cabletron Enterprise MIBs



*For a complete list of supported MIBs, refer to the release notes provided in the module package.*

### **Ring Security**

This feature prevents unauthorized stations from attaching to the ring. Using Local or Remote Management, the module may be configured as to which MAC addresses are allowed to operate on the ring.

### **Multi-Ring Out Capability**

With this feature any port of the module may be configured as a ring-out port through management software. In this configuration a stand-alone passive concentrator (such as an IBM 8228 MAU) may be added to the ring.

### **Telnet**

A telnet session can be set up with the module to provide access to the Local Management screens.

### **LANVIEW LEDs**

The 9T122-24 use LANVIEW – the Cabletron Systems built-in visual diagnostic and status monitoring system. With LANVIEW LEDs, you can quickly identify the device, port, and physical layer status at a glance.

### **Hot Swapping**

The 9T122-24 can be installed or removed from the chassis while the SmartSwitch 9000 is powered up without affecting the operation of the remaining modules in the chassis.

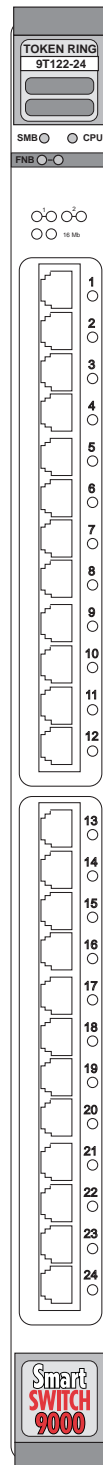


Figure 1-1. The 9T122-24 MicroLAN Module

## Related Manuals

The manuals listed below should be used to supplement the procedures and technical data contained in this manual.

SmartSwitch 9000 Installation Guide  
 SmartSwitch 9000 Operations Guide  
 SmartSwitch 9000 9C300-1 Environmental Module User's Guide  
 SmartSwitch 9000 9C214-1 AC Power Supply User's Guide  
 SmartSwitch 9000 Local Management User's Guide

## Getting Help

For additional support related to this device or document, contact the Cabletron Systems Global Call Center:

Phone	(603) 332-9400
Internet mail	support@ctron.com
FTP	ctron.com (134.141.197.25)
Login	<i>anonymous</i>
Password	<i>your email address</i>
BBS	(603) 335-3358
Modem setting	8N1: 8 data bits, No parity, 1 stop bit
For additional information about Cabletron Systems or its products, visit the World Wide Web site: <a href="http://www.cabletron.com/">http://www.cabletron.com/</a> For technical support, select <b>Service and Support</b> .	
To send comments or suggestions concerning this document, contact the Cabletron Systems Technical Writing Department via the following email address: <b>TechWriting@ctron.com</b> <i>Make sure to include the document Part Number in the email message.</i>	

Before calling the Cabletron Systems Global Call Center, have the following information ready:

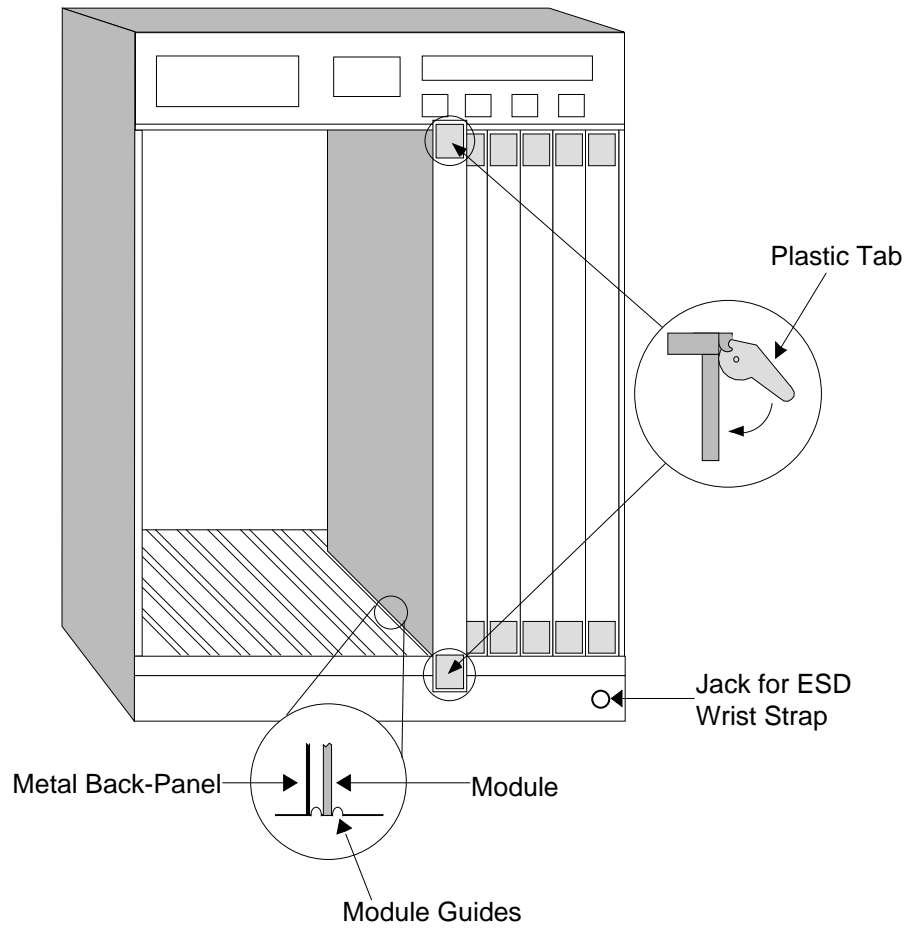
- Your Cabletron Systems service contract number
- A description of the failure
- A description of any action(s) already taken to resolve the problem (e.g., changing mode switches, rebooting the unit, etc.)
- The serial and revision numbers of all involved Cabletron Systems products in the network
- A description of your network environment (layout, cable type, etc.)
- Network load and frame size at the time of trouble (if known)
- The device history (i.e., have you returned the device before, is this a recurring problem, etc.)
- Any previous Return Material Authorization (RMA) numbers

# Installation

## Installing the MicroLAN Module

The SmartSwitch 9000 MicroLAN Module may be installed into any of the 14 slots that are available. To install, follow the steps below:

1. Switch off the power supplies and remove all power from the SmartSwitch 9000 chassis.
2. Remove the blank panels, covering the slots that the module is being mounted in. All other slots must be covered, if modules are not being installed, to ensure proper airflow and cooling.
3. Carefully remove the module from the shipping box. (Save the box and packing materials in the event the module must be reshipped.)
4. Attach one end of the ESD wrist strap packaged with the SmartSwitch 9000 chassis to your wrist. Plug the other end into the ESD Wrist Strap Grounding receptacle in the lower right corner of the SmartSwitch 9000 Chassis shown in Figure 2-1.
5. Remove the module from the plastic bag. Observe all precautions to prevent damage from Electrostatic Discharge (ESD).
6. Carefully examine the module, checking for damage. If any damage exists, **DO NOT** install the module. Contact Cabletron Systems Technical Support immediately.
7. Slide the module into a slot and lock down both the top and bottom plastic tabs, as shown in Figure 2-1. Take care that the module slides in straight and engages the backplane connectors properly. When installing the module, ensure that both circuit cards are between the card guides, as shown in Figure 2-1. Check both the upper and lower tracks of both cards.



**Warning:**

Ensure that the circuit card is between the card guides.

Lock down the top and bottom plastic tabs at the same time, applying even pressure.

**Figure 2-1. Installing the MicroLAN Module**

## The Reset Switch

The Reset switch is located on the front panel, under the top plastic tab as shown in Figure 2-2. It serves two functions:

- Pressing the reset switch twice within three seconds causes the processor (i960) to reset.
- Pressing and holding the switch on for three or more seconds causes the module to shutdown. Pressing and holding again for three seconds restarts the module.

SNMP management may be used to disable this switch to enhance module security.

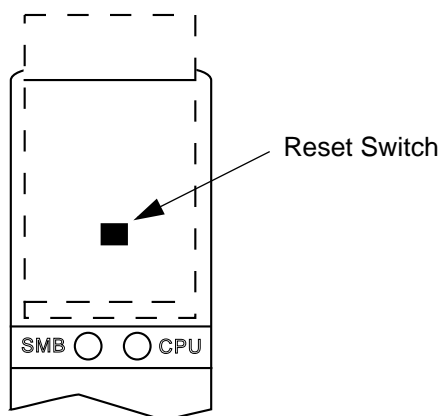


Figure 2-2. The Reset Switch

## User-Accessible Components

Figure 2-3 shows the various components that are accessible to the user. These consist of an eight-position dip switch (explained in the next section), replaceable PROMs and sockets for RAM. These will be used for future upgrades.

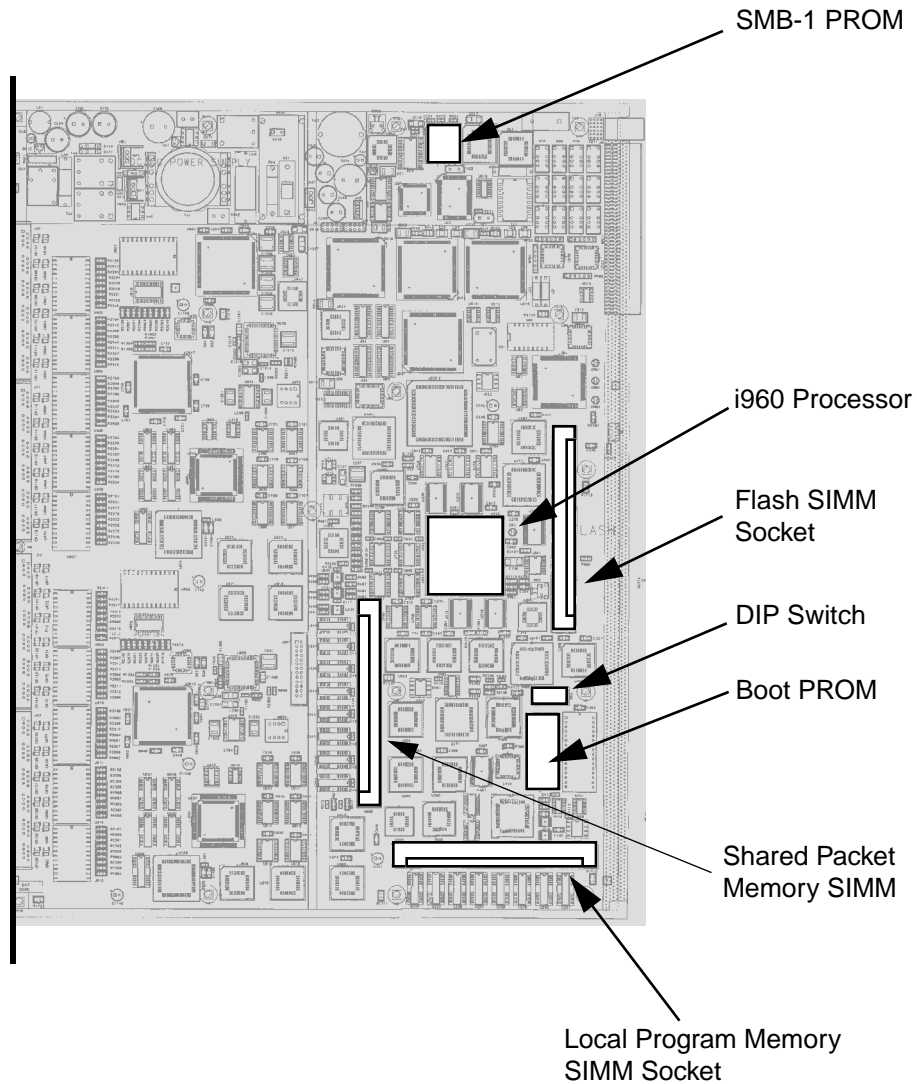
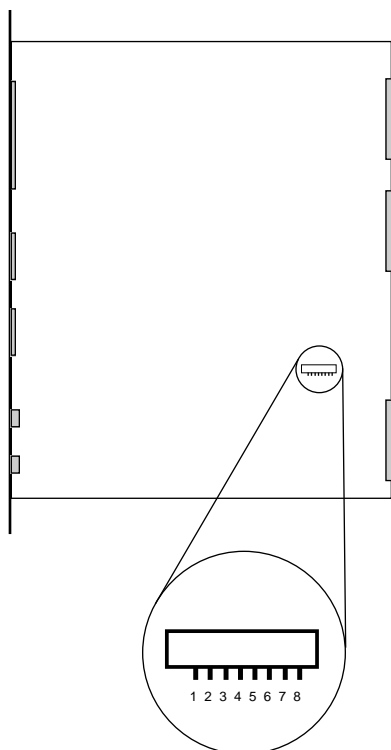


Figure 2-3. User Accessible Components



## Setting the Module Card DIP Switch

An eight-switch DIP switch is located on the module card as shown in Figure 2-3 and in Figure 2-4. The function of the switches are listed in Table 2-1.



**Figure 2-4. Location of Module DIP Switch**

See the **Cautions** at the end of this table.

**Table 2-1. Function of DIP Switch**

Switch	Function	Description
8	<b>Clear Password</b> <sup>1</sup>	When toggled, this switch clears user-entered passwords stored in NVRAM, and restores the default passwords. Once reset you can use the defaults or enter new passwords.
7	<b>Clear NVRAM</b> <sup>2</sup>	The module uses NVRAM to store user entered parameters such as IP addresses, device name, etc. To reset these parameters to the factory defaults, toggle this switch. Once reset, you can use the defaults or enter new parameters, which are stored in NVRAM when the module is powered down, and remain there until the switch is toggled again.
6	<b>Force BootP Download</b>	Toggling this switch after pulling the board out of the SmartSwitch 9000, clears download information from NVRAM and forces image files to be downloaded from the station configured to act as that modules' BOOTP server.
5	<b>Reserved</b>	For Factory Use Only
4	<b>Reserved</b>	For Factory Use Only
3	<b>Reserved</b>	For Factory Use Only
2	<b>Reserved</b>	For Factory Use Only
1	<b>Ring Configuration</b>	Off = One ring of 24 ports (factory default) On = two rings of 12 ports each



<sup>1</sup>**Caution:** Do not toggle Switch 8 unless you intend to reset the user configured passwords to their factory default settings.

<sup>2</sup>**Caution:** Do not toggle Switch 7 unless you intend to reset the user parameters to the factory default settings.

## Ring Speed

The module defaults to a 16Mbps ring speed on all rings. This may be changed though local management.

## Multi-Ring Out Capability

Any port of the module may be configured as a ring-out port through management software. In this configuration a stand-alone passive concentrator (such as an IBM 8228) may be added to the ring as shown in Figure 2-5. This allows for a star-wired network with the SmartSwitch 9000 at the center. Consult the *SmartSwitch 9000 Local Management Guide* for information on configuring the ports.

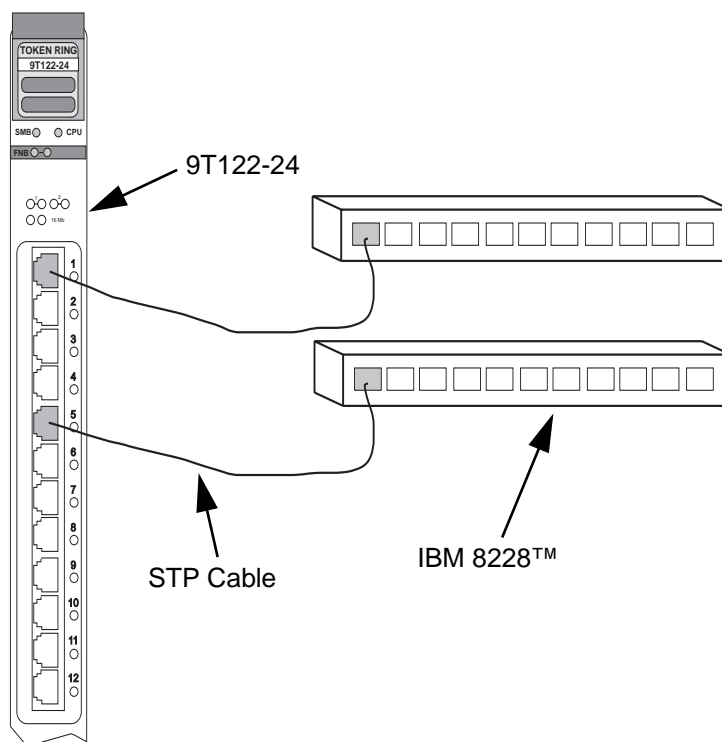


Figure 2-5. Using a Ring-Out Port



# Operation

The 9T122-24 MicroLAN Module provides connectivity between the front panel Token Ring(s) and the FDDI rings on the backplane (FNB-1 or FNB-2).

SmartSwitch 9000 modules connect to either the Internal Network Bus (INB) or the Flexible Network Bus (FNB) bus. The 9T122-24 module connects to the FNB bus. Figure 3-1 is a block diagram of the module. The front panel may be configured as one Token Ring (**factory default**) or as two rings. In the two-ring configuration, the rings function as individual networks, each with 12 ports. Bridging/Routing may occur between these two rings and/or to any other SmartSwitch 9000 module via the FNB.

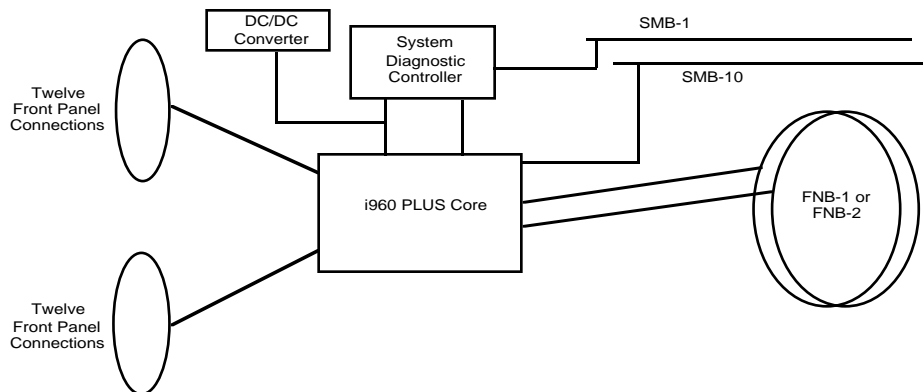


Figure 3-1. 9T122-24 Block Diagram

## Bridging

The 9T122-24 is configured for SRT bridging. It will pass SR (Source Routing) frames between the rings and provides translation to transparent frames over the FNB to Ethernet and FDDI modules. For information on configuring the bridging function, see the addendum to the SmartSwitch 9000 Local Management User's Guide, containing information specific to this module.

## Transparent Bridging

Transparent Bridging is accomplished by building a Source Address Table (SAT) from source MAC/physical addresses and using the SAT to make forwarding decisions.

The 9T122-24 prevents unnecessary network traffic from passing through the module by implementing two separate filtering processes — IEEE 802.1d or Cabletron's Special Filtering Database. These processes may be used individually or in tandem.

The first process, the IEEE 802.1D filtering process, begins with the creation of a list of local node addresses in the SAT. When the 9T122-24 first goes on-line, it initially forwards all packets across the bridge. After receiving a packet on the bridge port, the 9T122-24 learns the address of the sending node from the packet and stores that address in the SAT. In this manner, the bridge learns the address of each node on each side of the bridge. The bridge then uses the addresses stored in the table to compare the destination address of each subsequent packet that travels to the bridge. If the destination address of a packet resides on the bridge segment, the 9T122-24 does not forward across the Token Ring link.

The second filtering process, the Cabletron Systems Special Filtering Database, provides an additional step in the filter/forward decision. Through Remote Management, you can define up to 10 additional filtering parameters for incoming network traffic. These parameters include (but are not limited to) the:

- Destination address
- Source address
- Type field (protocol)
- 64 bytes of the data field (using a data offset)

For example, using this process, you can ensure that the 9T122-24 always filters or forwards packets with a specific protocol or address.

## Source Route Bridging

Source Route Bridging operates by transmitting frames over a designated route. Unlike Transparent Bridging, all devices in a Source Route Bridged (SRB) network “know” the locations of other stations within the network. Using a portion of the MAC frame header known as the RIF (Routing Information Field), the source device determines the route for the frames it sends.

In order for source routing to work, the source station must determine the proper route to reach the desired destination. To accomplish this:

1. The source station sends out frames called All Route Explorer (ARE) or Single Route Explorer (SRE) frames onto the network. All Source Route Bridges recognize these frames and forwards them to their outbound ports.
2. The receiving bridges append their own route information to the Route Information Field (RIF) in the MAC frame header and transmit the frame again.
3. Eventually, the original source device receives all of the ARE replies from the other end stations on the network.
4. From this information, the source device can determine a desired route for each frame it transmits.

## Spanning Tree Algorithm

The 9T122-24 promotes maximum network use in multiple-bridge environments. A bridge learns the bridge topology of its network from bridge protocol data that it receives from other bridges within the network. The bridges then apply the Spanning Tree Algorithm (STA) to select a root bridge, and then determine primary data paths within potential data loop configurations.

Spanning Tree Algorithm is a hierarchy (or tree) of priorities that bridges establish between themselves. This hierarchy guarantees that primary and redundant data paths are clearly defined at all times, so that the network is continuously available to users.

In a multiple-bridge environment, one bridge in the network establishes itself as the root bridge. As the root, this bridge has priority over all other bridges. In a Spanning Tree, all of the bridges must determine which bridge is the root, and then determine their own relative priority within the network.

## Flexible Network Bus (FNB)

The FNB consists of two dual FDDI networks, the FNB-1 and FNB-2, providing up to 400 Mbps of data bandwidth. These FDDI networks are 100% ANSI FDDI-compliant supporting SMT (version 7.3), MAC, PHY, and PMD standards. This allows the FNB to traverse multiple SmartSwitch 9000 hubs, or connect to any ANSI FDDI-compliant device, through standard A/B port connections, using the FDDI repeater module.

## System Management Buses

There are two management channels within the SmartSwitch 9000 system: the SMB-1 and the SMB-10. These buses provide out-of-band management and inter-module management communication.

### SMB-1 Bus

The SMB-1 is a 1Mbps management bus located within the SmartSwitch 9000. This bus is utilized by all diagnostic controllers in the system including connectivity modules, power supply modules and the environmental module. The SMB-1 transports inter-chassis information between system components, such as power and environmental information, as well as diagnostic messages. Periodic loop-back tests are performed by all modules that share this bus to ensure the validity of SMB-1. In the event a failure is detected on SMB-1, the SMB-10 may be used as an alternate communication channel.

### SMB-10 Bus

The SMB-10 is a 10Mbps management bus located within the SmartSwitch 9000 that is also used for inter-chassis communication of modules, as well as serving as an out-of-band management channel into the SmartSwitch 9000. The SMB-10 is externalized from the chassis via an optional Ethernet Port Interface Module (EPIM) located on the front of the Environmental Module. Through an EPIM connection, full SNMP management of the SmartSwitch 9000 is available out-of-band from user data. Modules that share the SMB-10 bus periodically send out loop-back packets to ensure the validity of SMB-10. In the event a fault is detected on the SMB-10, the SMB-1 can be used as an alternate communication channel by the modules.



## System Diagnostic Controller

This diagnostic controller is composed of a Z-80 microprocessor and its supporting logic. The diagnostic controller is designed to control the power-up sequencing of modules, monitor the 9T122-24 input and output power parameters, keep watch over the main host processor, as well as monitor the temperature and control the SMB LANVIEW diagnostic LED. Although the diagnostic controller and the main host processor can operate independent of each other if needed, they exchange information about each other's status and overall module condition. The information gathered by the diagnostic controller is available to the network manager via local/remote management and the LCD located on the environment module. The 9T122-24 has been designed so that in the event of a diagnostic controller fault, the module will continue to function.

## DC/DC Converter

The DC/DC converter converts the 48 VDC on the system power bus to the necessary operating voltages for its host network services module. The diagnostic controller controls the operation of the DC/DC converter.

## FNB Interface

SmartSwitch 9000 modules are designed with one of two attachment policies. One allows a module to dual attach to either FNB-1 or FNB-2; the second allows dual attachment to both FNB-1 and FNB-2. The 9T122-24 have one dual attachment to the FNB backplane, connecting to either FNB-1 or FNB-2. The module can insert into the FNB or bypass it. These flexible configuration options make the SmartSwitch 9000 ideal for networks designed to Bridge/Route multiple lower speed LANs to FDDI and/or networks designed using an FDDI collapsed backbone.

## i960 Core

The i960 core in the FNB module serves two major functions: it provides the packet forwarding logic and performs all network management services. FNB modules can be configured to run as layer 2 bridges, layer 3 routers or as SecureFast Packet Switches. It is possible to run the bridging and routing options concurrently, but the SFPS option cannot run with bridging and routing.

The i960 core provides the SNMP protocol stacks, as well as support for industry-standard MIBs. Additionally, Cabletron enterprise-extension MIBs are supported for each media type. Advanced management services, such as the Distributed LAN Monitor, RMON, telnet and network address to MAC address mapping, are also provided by the i960 core.

# LANVIEW LEDs

The front panel LANVIEW LEDs, shown in Figure 4-1, indicate the status of the module and may be used as an aid in troubleshooting.

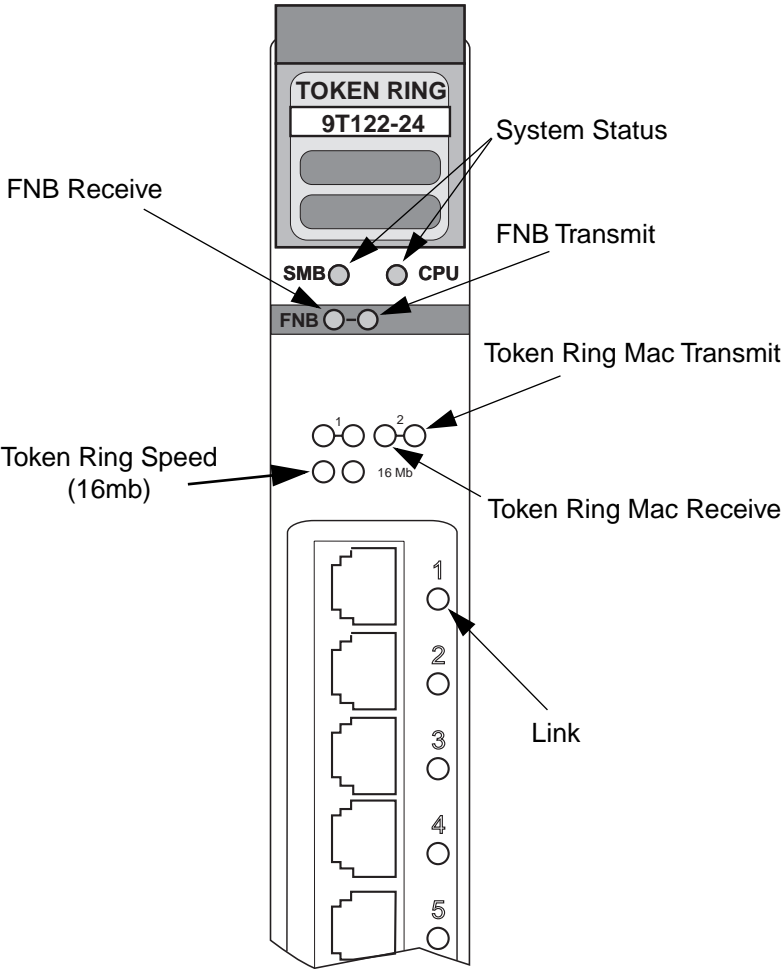


Figure 4-1. LANVIEW LEDs

The functions of the two System Status LEDs, System Management Bus (SMB) and the CPU, are listed in Table 4-1.

**Table 4-1. System Status LEDs (SMB and CPU)**

LED Color	State	Description
Green	Functional	Fully operational.
Yellow	Crippled	Not fully operational (i.e., one bad port).
Yellow/Green	Booting	Blinks yellow and green while booting.
Red	Reset	Normal power-up reset.
Red (Flashing)	Failed	Fatal error has occurred.
Off	Power off	Module powered off.

The functions of the FNB receive LED are listed in Table 4-2.

**Table 4-2. FNB Receive LEDs**

LED Color	State
Red	No link, Port disabled
Red (Flashing)	Link, Port disabled
Green	Link, No activity, Port enabled
Yellow (Flashing)	Activity (Flashing rate indicates rate of activity).
Off	No activity

The functions of the FNB transmit LED are listed in Table 4-3.

**Table 4-3. FNB Transmit LEDs**

LED Color	State
Red	Port disabled
Red (Flashing)	Fault or Error (Flashing rate indicates rate)
Yellow (Flashing)	Port in standby state
Green (Flashing)	Activity (Flashing rate indicates rate of activity).
Off	No activity

The functions of the Token Ring Mac receive LEDs are listed in Table 4-4.

**Table 4-4. Token Ring Receive LED**

<b>LED Color</b>	<b>State</b>
Red	No link, Port disabled
Red (Flashing)	Link, Port disabled
Green	Link, No activity, Port enabled
Yellow (Flashing)	Link, Activity (Flashing rate indicates rate of activity).
Off	No link, No activity, Port enabled

The function of the Token Ring Mac transmit LEDs are listed in Table 4-5.

**Table 4-5. Token Ring Transmit LED**

<b>LED Color</b>	<b>State</b>
Red	Port Disabled
Red (Flashing)	Fault, Ring is Beaconing
Green (Flashing)	Activity (Flashing rate indicates rate of activity).
Yellow (Flashing)	Port in standby state, Link
Off	No activity, Port enabled

The functions of the Link LED are listed in Table 4-6.

**Table 4-6. Port Link LEDs**

<b>LED Color</b>	<b>State</b>
Red	No link, Port disabled
Red (Flashing)	Link, Port disabled or Speed fault
Green	Link, Port enabled
Off	No link, Port enabled

The function of the Token Ring speed LEDs is listed in Table 4-7.

**Table 4-7. Token Ring Speed**

<b>LED Color</b>	<b>State</b>
Yellow	16 Mbs
Off	4 Mps

# Specifications

## Safety



*It is the responsibility of the person who sells the system to which the module will be a part to ensure that the total system meets allowed limits of conducted and radiated emissions.*

This equipment meets the safety requirements of:

- UL 1950
- CSA C22.2 No. 950
- EN 60950
- IEC 950
- EMI Requirements of FCC Part 15 Class A
- EN 55022 Class A
- VCCI Class I
- EMC requirements of:

EN 50082-1

IEC 801-2 ESD

IEC 801-3 Radiated susceptibility

IEC 801-4 EFT

## Service

MTBF (MHBK-217E)	>200,000 hrs.
MTTR	<0.5 hr.

## Physical

### Dimensions:

35.0 D x 44.0 H x 3.0 W centimeters  
(13.8 D x 17.4 H x 1.2 W inches)

### Weight:

Unit:	1.36 kg. (3lb)
Shipping:	1.81 kg. (4lb)

## Electrical

CPU:	i960
Shared DRAM Memory:	4Mb (expandable to 12 Mb)
Local DRAM Memory:	4Mb (expandable to 12 Mb)
Flash:	2Mb (expandable to 14 Mb)
Token Ring Interfaces:	(2) Texas Instruments TMS380C26 Controllers
NVRAM:	128 Kb



## Free Manuals Download Website

<http://myh66.com>

<http://usermanuals.us>

<http://www.somanuals.com>

<http://www.4manuals.cc>

<http://www.manual-lib.com>

<http://www.404manual.com>

<http://www.luxmanual.com>

<http://aubethermostatmanual.com>

Golf course search by state

<http://golfingnear.com>

Email search by domain

<http://emailbydomain.com>

Auto manuals search

<http://auto.somanuals.com>

TV manuals search

<http://tv.somanuals.com>