
Smart^{MMAC}SWITCH

7F06-02 FDDI SmartSWITCH™ Interface Module User's Guide

9031672-01

CABLETRON
SYSTEMS
The Complete Networking Solution™

NOTICE

Cabletron Systems reserves the right to make changes in specifications and other information contained in this document without prior notice. The reader should in all cases consult Cabletron Systems to determine whether any such changes have been made.

The hardware, firmware, or software described in this manual is subject to change without notice.

In no event shall Cabletron Systems be liable for any incidental, indirect, special, or consequential damages whatsoever (including but not limited to lost profits) arising out of or related to this manual or the information contained in it, even if Cabletron Systems has been advised of, known, or should have known, the possibility of such damages.

© Copyright February 1996 by:

Cabletron Systems, Inc.,
35 Industrial Way
Rochester, NH 03867-0505

All Rights Reserved

Printed in the United States of America

Order Number: 9031672-01

LANVIEW is a registered trademark of Cabletron Systems, Inc.

MMAC and **MMAC SmartSWITCH** are registered trademarks of Cabletron Systems, Inc.

Ethernet is a trademark of Xerox Corp.

CompuServe is a registered trademark of CompuServe, Inc.

FCC NOTICE

This device complies with Part 15 of the FCC rules. Operation is subject to the following two conditions: (1) this device may not cause harmful interference, and (2) this device must accept any interference received, including interference that may cause undesired operation.

NOTE: This equipment has been tested and found to comply with the limits for a Class A digital device, pursuant to Part 15 of the FCC rules. These limits are designed to provide reasonable protection against harmful interference when the equipment is operated in a commercial environment. This equipment uses, generates, and can radiate radio frequency energy and if not installed in accordance with the operator's manual, may cause harmful interference to radio communications. Operation of this equipment in a residential area is likely to cause interference in which case the user will be required to correct the interference at his own expense.

WARNING: Changes or modifications made to this device which are not expressly approved by the party responsible for compliance could void the user's authority to operate the equipment.

DOC NOTICE

This digital apparatus does not exceed the Class A limits for radio noise emissions from digital apparatus set out in the Radio Interference Regulations of the Canadian Department of Communications.

Le présent appareil numérique n'émet pas de bruits radioélectriques dépassant les limites applicables aux appareils numériques de la class A prescrites dans le Règlement sur le brouillage radioélectrique édicté par le ministère des Communications du Canada.

VCCI NOTICE

This equipment is in the 1st Class Category (information equipment to be used in commercial and/or industrial areas) and conforms to the standards set by the Voluntary Control Council for Interference by Information Technology Equipment (VCCI) aimed at preventing radio interference in commercial and/or industrial areas.

Consequently, when used in a residential area or in an adjacent area thereto, radio interference may be caused to radios and TV receivers, etc.

Read the instructions for correct handling.

この装置は、第一種情報装置（商工業地域において使用されるべき情報装置）で商工業地域での電波障害防止を目的とした情報処理装置等電波障害自主規制協議会（VCCI）基準に適合しております。

従って、住宅地域またはその隣接した地域で使用すると、ラジオ、テレビジョン受信機等に受信障害を与えることがあります。

取扱説明書に従って正しい取り扱いをして下さい。

CONTENTS

CHAPTER 1 INTRODUCTION

1.1 USING THIS MANUAL	1-1
1.2 THE 7F06-02 MODULE.....	1-2
1.2.1 Cable Type and FPIMs	1-2
1.2.2 7C03 MMAC SmartSwitch, the 7C04 Workgroup SmartSwitch and the 7C04-R Workgroup SmartSwitch	1-3
1.3 FEATURES	1-4
1.3.1 FPIMs.....	1-4
1.3.2 LANVIEW LEDs	1-4
1.3.3 Connectivity.....	1-4
1.4 RELATED MANUALS	1-5
1.5 GETTING HELP	1-5

CHAPTER 2 NETWORK REQUIREMENTS

2.1 FPIM MODULE SPECIFICATIONS.....	2-1
2.1.1 FPIM-00 and FPIM-01	2-1
2.1.2 FPIM-02 and FPIM-04	2-3
2.1.3 FPIM-05 and FPIM-07	2-4

CHAPTER 3 INSTALLATION/REMOVAL

3.1 UNPACKING THE 7F06-2 MODULE.....	3-1
3.2 INSTALLING FPIMS	3-1
3.3 INSTALLING /REMOVING THE 7F06-02 MODULE	3-2
3.3.1 Installing in the 7C03 SmartSwitch	3-2
3.3.2 Removing from the 7C03 SmartSwitch.....	3-3
3.3.3 Installing in the 7C04 or 7C04-R Workgroup SmartSwitch	3-5
3.3.4 Removing from the 7C04 or 7C04-R Workgroup SmartSwitch.....	3-5

7

CHAPTER 4 TROUBLESHOOTING

CHAPTER 5 TECHNICAL SPECIFICATIONS

5.1 STANDARDS.....	5-1
5.2 EMI.....	5-1
5.3 EMC	5-1
5.4 NETWORK INTERFACES.....	5-1
5.5 SAFETY.....	5-2
5.6 SERVICE	5-2

5.7 PHYSICAL	5-2
5.7.1 Dimensions	5-2
5.7.2 Weight.....	5-2

CHAPTER 1

INTRODUCTION

Welcome to Cabletron Systems *7F06-02 FDDI SmartSwitch Interface Module User's Guide*. This guide is a simple reference for installing and using the 7F06-02 Module. Before installing this module, you should carefully read through this manual to gain a full understanding of its capabilities.

The 7F06-02 Module is a two port FDDI module. This module connects to a network and the 7X00 SmartSwitch™ Control Module in the 7C03,7C04 or 7C04-R MMAC SmartSwitch via a SmartSwitch bus.

1.1 USING THIS MANUAL

Chapter 1, **Introduction**, discusses the capabilities and special features of Cabletron Systems 7F06-02 Module. This chapter also includes a list of related manuals.

Chapter 2, **Network Requirements**, contains a list of available FPIMs and the network requirements that should be considered before installing the 7F06-02 Module.

Chapter 3, **Installation/Removal**, contains instructions for installing and removing the 7F06-02 in the 7C03 MMAC SmartSwitch, the 7C04 Workgroup SmartSwitch or the 7C04-R Workgroup SmartSwitch.

Chapter 4, **Troubleshooting**, contains instructions for using LANVIEW® (Cabletron Systems built-in diagnostic and status monitoring system).

Chapter 5, **Technical Specifications**, provides detailed information about the physical characteristics of the 7F06-02 Module.

1.2 THE 7F06-02 MODULE

The 7F06-02 Module provides two Fiber Optic ports via front panel FPIM modules.

1.2.1 Cable Type and FPIMs

The 7F06-02 module has two front panel connectors that interface to the 7X00 Smart Switch Module through the chassis backplane. The front panel connections are standard Cabletron FPIMs. There are two FPIMs for each channel. These FPIMs allow the use of single mode or multimode fiber cable with MIC or SC type connectors and twisted pair cable, either shielded or unshielded.

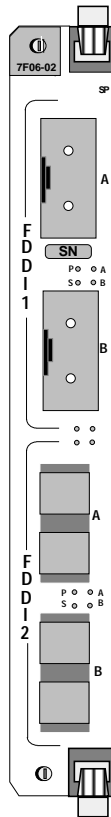


Figure 1-1. 7F06-02 Module

1.2.2 7C03 MMAC SmartSwitch, the 7C04 Workgroup SmartSwitch and the 7C04-R Workgroup SmartSwitch

The 7F06-02 Module is designed to be installed in the 7C03 MMAC SmartSwitch, the 7C04 Workgroup SmartSwitch or the 7C04-R Workgroup SmartSwitch.

The modular design of the 7C03 MMAC SmartSwitch allows other modules that support Ethernet, Fast Ethernet, ATM, FDDI, or

Token Ring to be used with the 7F06-02 Module. These modules provide the capability to share data without the use of external bridges or routers.

The 7C03 MMAC SmartSwitch is a unique module that can be installed in an MMAC Series chassis. The 7C04 Workgroup SmartSwitch and the 7C04-R Workgroup SmartSwitch are stand-alone chassis that provide the same functions.

1.3 FEATURES

The 7F06-02 Module provides two FDDI ports via front panel FPIMs. The 7F06-02 Module includes the following features:

1.3.1 FPIMs

The front panel connections are standard Cabletron FPIMs. These FPIMs allow the use of single mode or multimode fiber cable with MIC or SC type connectors.

1.3.2 LANVIEW LEDs

The 7F06-02 uses LANVIEW, Cabletron Systems built-in visual diagnostic and status monitoring system. With LANVIEW LEDs, you can quickly identify, at a glance, the status of the device connected to a port on the 7F06-02 Module.

1.3.3 Connectivity

The 7F06-02 Module has one backplane connection and two sets of A/B front panel FPIM connections. The backplane connection provides power to the 7F06-02 Module and a channel for communication with the 7X00 SmartSwitch Control Module. The two front panel FPIMs provide FDDI connections, allowing the use of single mode or multimode fiber cable with MIC or SC type connectors.

1.4 RELATED MANUALS

The manuals listed below should be used to supplement the procedures and other technical data provided in this manual. The procedures will be referenced, where appropriate, but will not be repeated.

7X00 SmartSwitch Control Module User's Guide

7F06-02 Local Management Appendix

7C03 MMAC SmartSwitch Installation Guide

7C04 Workgroup SmartSwitch Installation Guide

7C04-R Workgroup SmartSwitch Installation Guide

1.5 GETTING HELP

If you need additional support with the 7C03 MMAC SmartSWITCH, or if you have any questions, comments or suggestions concerning this manual, contact Cabletron Systems Technical Support:

By phone:	(603) 332-9400
By fax:	(603) 337-3075
By World Wide Web:	http://www.cabletron.com
By CompuServe [®] :	GO CTRON from any ! prompt
By Internet mail:	support@ctron.com
By BBS:	(603) 335-3358
By mail:	Cabletron Systems, Inc. P.O. Box 5005 Rochester, NH 03866-5005

CHAPTER 2

NETWORK REQUIREMENTS

Before installing Cabletron Systems 7F06-02 Module, review the network requirements outlined in this chapter. All requirements included in this chapter should be met to ensure satisfactory performance of the 7F06-02 Module. Failure to do so may result in unsatisfactory network performance.

2.1 FPIM MODULE SPECIFICATIONS

This module uses Fiber Port Interface Modules (FPIM) to provide front panel cable connections. The FPIMs are user-installable. See Section 3.2 **INSTALLING FPIMS**.

2.1.1 FPIM-00 and FPIM-01

The FPIM-00 and FPIM-01 provide a multimode fiber connection. The FPIM-00 uses a MIC style connector and the FPIM-01 uses an SC type connector. The specifications for both devices are listed in Table 2-1.

Table 2-1. FPIM-00 and FPIM-01 Specifications

Parameter	Typical Value	Worst Case	Worst Case Budget	Typical Budget
Receive Sensitivity	-30.5 dBm	-28.0 dBm	—	—
Peak Input Power	-7.6 dBm	-8.2 dBm	—	—

Transmitter power parameters are listed in Table 2-2.

Table 2-2. Transmitter Power Parameters

Parameter	Typical Value	Worst Case	Worst Case Budget	Typical Budget
50/125 μm fiber	-13.0 dBm	-15.0 dBm	13.0 dB	17.5 dB
62.5/125 μm fiber	-10.0 dBm	-12.0 dBm	16.0 dB	20.5 dB
100/140 μm fiber	-7.0 dBm	-9.0 dBm	19.0 dB	23.5 dB
Error Rate	Better than 10^{-10}			

The link distance is up to 2 kilometers on the multimode fiber-optic cable as specified by ANSI MMF-PMD.

2.1.2 FPIM-02 and FPIM-04

The FPIM-02 has an RJ-45 connector supporting an Unshielded Twisted Pair (UTP) connection. The FPIM-04 has an RJ-45 connector supporting a Shielded Twisted Pair (STP) connection. The pinouts for both are listed in Table 2-3.

Table 2-3. FPIM-02 and FPIM-04 Pinouts

Pin Number	Represents	Pin Number	Represents
1	Transmit+	5	NA
2	Transmit-	6	NA
3	NA	7	Receive+
4	NA	8	Receive-

The link distance is up to 100 meters on unshielded twisted pair cable as specified by ANSI TP-PMD.

2.1.3 FPIM-05 and FPIM-07

The FPIM-05 and FPIM-07 provide a Single-mode fiber connection. The FPIM-05 uses a MIC style connector and the FPIM-07 uses an SC type connector. The specifications for both devices are listed in Table 2-4.

Table 2-4. FPIM-05 and FPIM-07 Specifications

Parameter	Typical	Minimum	Maximum
Transmitter Peak Wave Length	1300 nm	1270 nm	1330 nm
Spectral Width	60 nm	-	100 nm
Rise Time	3.0 nsec	2.7 nsec	5.0 nsec
Fall Time	2.5 nsec	2.2 nsec	5.0 nsec
Duty Cycle	50.1%	49.6%	50.7%
Bit Error Rate	Better than 10^{-10}		

The link distance is up to 40 kilometers (max) and 25 kilometers (typical) on single mode fiber-optic cable as specified by ANSI SMF-PMD.

CHAPTER 3

INSTALLATION/REMOVAL

This chapter contains instructions for unpacking and installing the 7F06-2 Module in the:

- 7C03 MMAC SmartSwitch
- 7C04 Workgroup SmartSwitch
- 7C04-R Workgroup SmartSwitch.

Also included in the chapter are instructions the front panel FPIMs.

3.1 UNPACKING THE 7F06-2 MODULE

Unpack the 7F06-2 Module by using the following steps:

1. Carefully remove the module from the shipping box. (Save the box and packing materials in the event the module must be reshipped.)
2. Remove the module from the plastic bag. Observe all precautions to prevent damage from Electrostatic Discharge (ESD).
3. Carefully examine the module and check for damage. If damage exists, DO NOT install the module; contact Cabletron Systems Technical Support.

3.2 INSTALLING FPIMS

The 7F06-02 module is shipped without FPIMs. To install an FPIM, follow the procedure below:

1. Remove the module if it is installed in the 7C03 MMAC SmartSWITCH chassis by reversing the procedure in Section 3.3.
2. Remove the blank front cover over the FPIM slot.
3. Install the FPIM as shown in Figure 3-1. Ensure that the rear connector is seated firmly before tightening the two mounting screws.

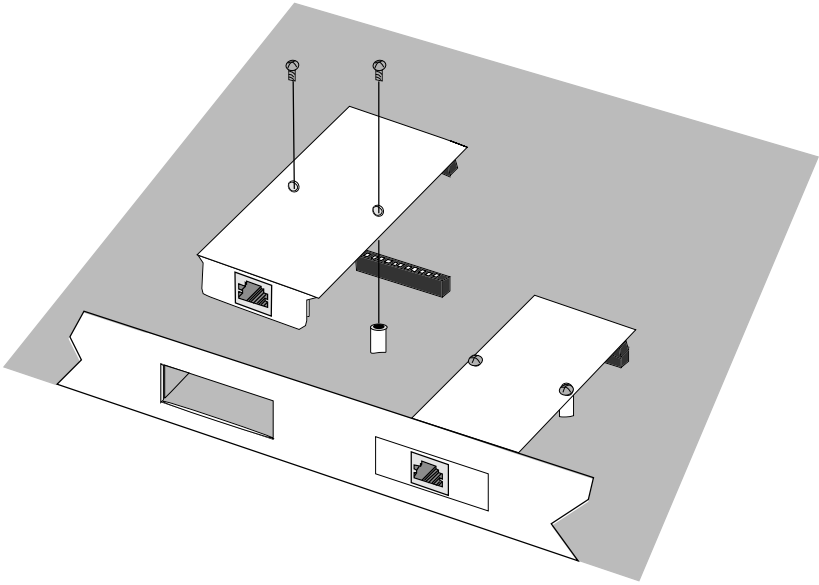


Figure 3-1. Installing an FPIM

3.3 INSTALLING/REMOVING THE 7F06-02 MODULE

The following procedure detail the installing and removal procedure for the 7F06-02 module.

3.3.1 Installing in the 7C03 SmartSwitch

The 7F06-02 Module is installed in the 7C03 MMAC SmartSwitch using the following steps and referring to Figure 3-2.

Notes: The left most slot in the 7C03 MMAC SmartSwitch is reserved for the 7X00 SmartSwitch Module.

Before installing the 7F06-02 module, attach the wrist strap included with the SmartSwitch or SmartSwitch module by following the instructions printed on the package.

1. Remove the blank panel covering the slot in which the module will be installed. All other slots must remain covered to ensure proper airflow and cooling.
2. Install the module by sliding it into slots as shown in Figure 3-2. Ensure that the printed circuit board (PCB) is between the card guides, slides in straight, and engages the backplane connectors properly.
3. Using a slotted screwdriver, tighten the top and bottom screws.

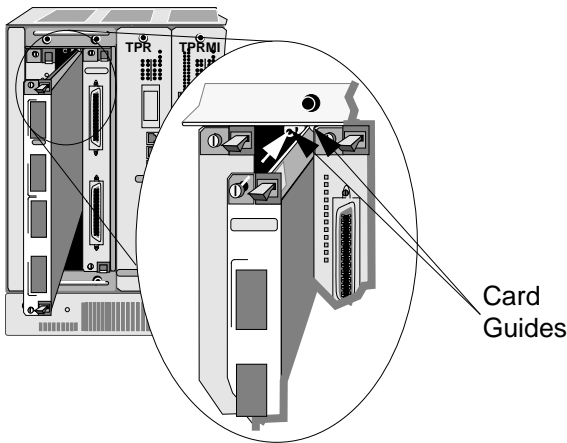


Figure 3-2. Installing the 7F06-02 Module in the 7C03 MMAC SmartSwitch

3.3.2 Removing from the 7C03 SmartSwitch

The 7F06-02 Module inserted in the 7C03 MMAC SmartSwitch can be removed whenever necessary. Follow the steps below and refer to Figure 3-3 to remove the module.

Note: Before removing the 7F06-02 module, attach the wrist strap included with the SmartSwitch or SmartSwitch module by following the instructions printed on the package.

1. Use a slotted screwdriver to loosen the two screws that secure the module to the chassis.
2. Locate the two ejector tabs on the module (to the right of the screws on the top and bottom of the module).
3. Simultaneously press down on the bottom ejector tab and up on the top ejector tab until the module ejects from the backplane.
4. Grasp both ejector tabs and carefully slide the module out of the chassis.

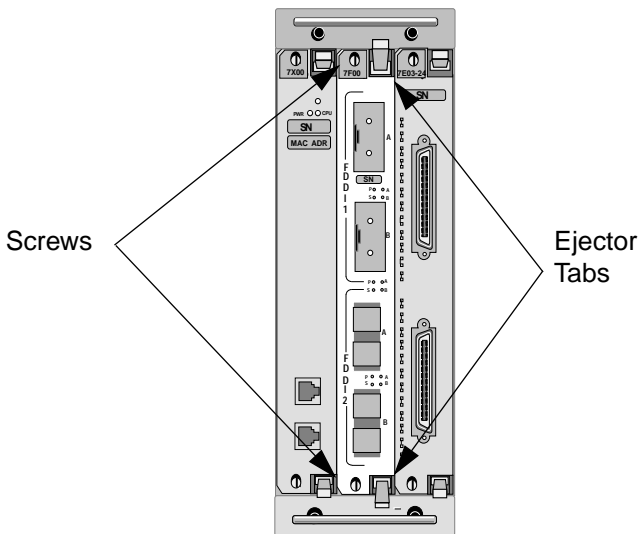


Figure 3-3. Removing the 7F06-02 Module from the 7C03 MMAC SmartSwitch

3.3.3 Installing in the 7C04 or 7C04-R Workgroup SmartSwitch

The 7F06-02 Module is installed in the 7C04 or 7C04-R Workgroup SmartSwitch using the following steps and referring to the appropriate figure.

Notes: *The top slot in the 7C04 Workgroup SmartSwitch is reserved for the 7X00 SmartSwitch Module.*

The bottom slot in the 7C04-R Workgroup SmartSwitch is reserved for the 7X00 SmartSwitch Module.

Before installing the 7F06-02 module, attach the wrist strap included with the SmartSwitch or SmartSwitch module by following the instructions printed on the package.

1. Remove the blank panel covering the slot in which the module will be installed. All other slots must remain covered to ensure proper airflow and cooling.
2. Install the module by sliding it into slots as shown in the appropriate figure. Ensure that the printed circuit board (PCB) is between the card guides, slides in straight, and engages the backplane connectors properly.
3. Using a slotted screwdriver, tighten the top and bottom screws.

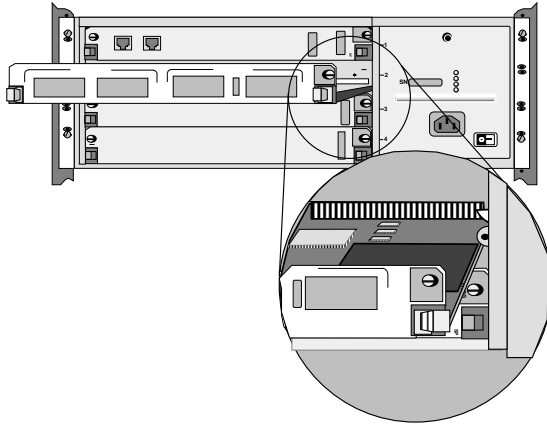


Figure 3-4. Installing the 7F06-02 Module in the 7C04 Workgroup SmartSwitch

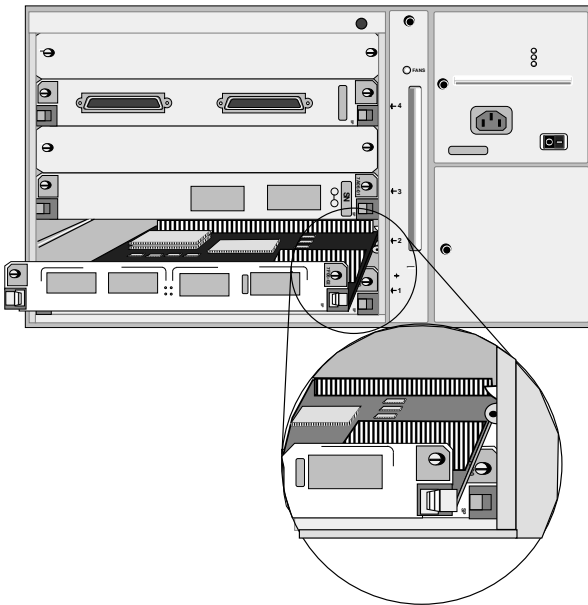


Figure 3-5. Installing the 7F06-02 Module in the 7C04-R Workgroup SmartSwitch

3.3.4 Removing from the 7C04 or 7C04-R Workgroup SmartSwitch

The 7F06-02 Module, inserted in the 7C04 or the 7C04-R Workgroup SmartSwitch, can be removed whenever necessary. Follow the steps below and refer to the appropriate figure to remove the module.

Note: Before removing the 7F06-02 module, attach the wrist strap included with the SmartSwitch or SmartSwitch module by following the instructions printed on the package.

1. Use a slotted screwdriver to loosen the two screws that secure the module to the chassis.
2. Locate the two ejector tabs on the module (below the screws on the left and right end of the module).
3. Simultaneously press left on the left ejector tab and right on the right ejector tab until the module ejects from the backplane.
4. Grasp both ejector tabs and carefully slide the module out of the chassis.

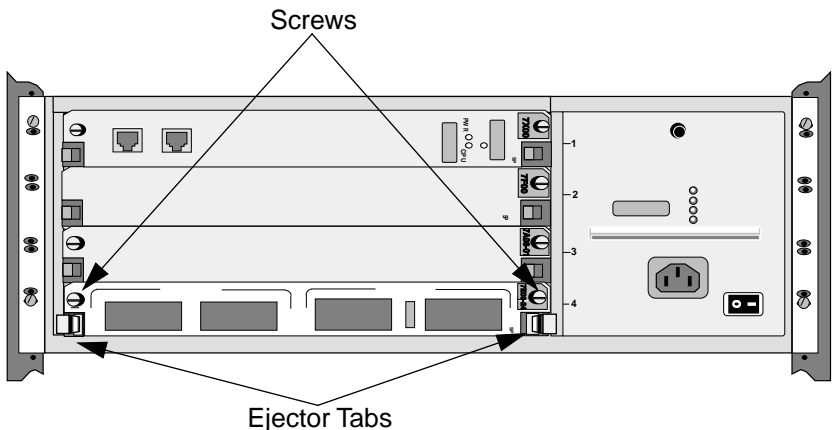


Figure 3-6. Removing the 7F06-02 Module from the 7C04 Workgroup SmartSwitch

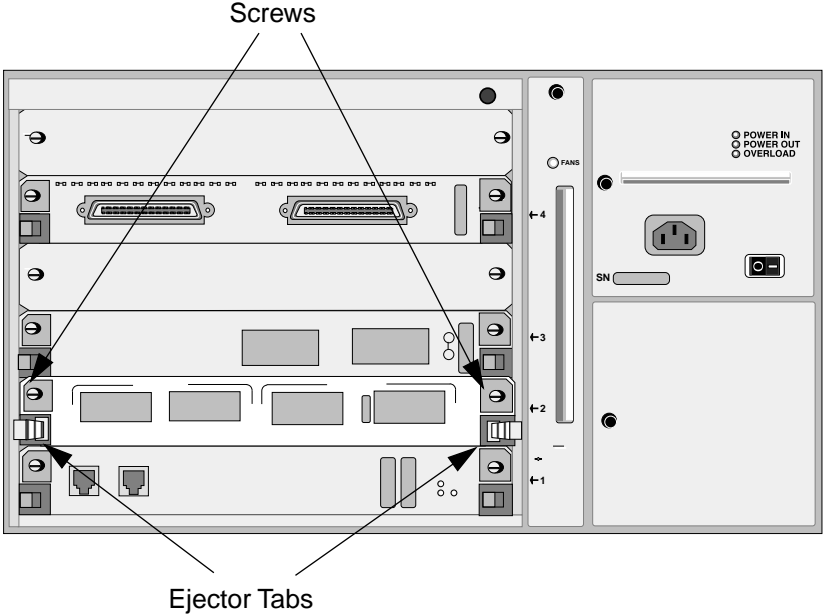


Figure 3-7. Removing the 7F06-02 Module from the 7C04-R Workgroup SmartSwitch

CHAPTER 4

TROUBLESHOOTING

The 7F06-02 Module uses LANVIEW, Cabletron Systems built-in visual diagnostic and status monitoring system.

With LANVIEW LEDs the status of each transmit and receive port on the 7F06-02 Module can be determined, at a glance. This section discusses the function and purpose of the LEDs on the 7F06-02 Module.

Figure 4-1 shows the LANVIEW LEDs of the 7F06-02 Module.

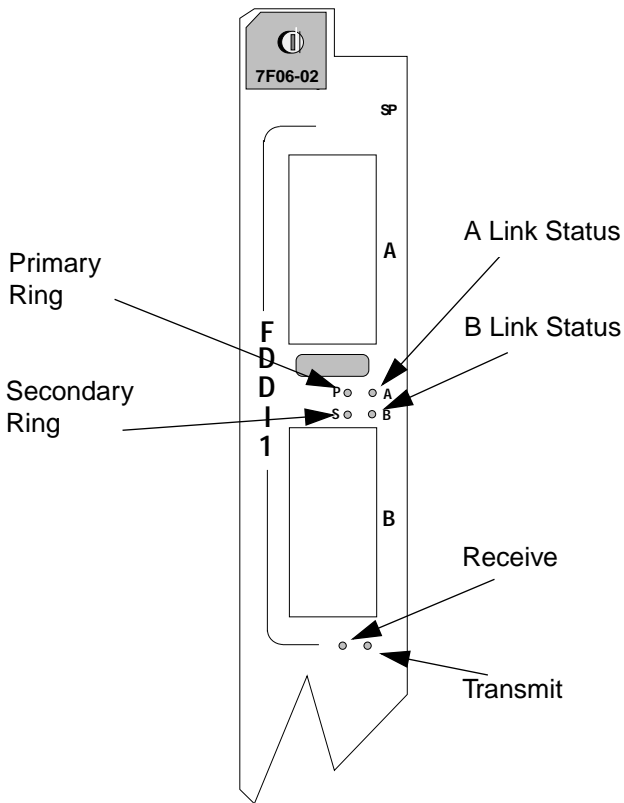


Figure 4-1. The LANVIEW LEDs

Table 4-1 indicates the state of the receive port.

Table 4-1. Port Receive LEDs

LED Color	State
Yellow (Flashing)	Data activity (flashing to steady on indicates rate)
Off	No activity, port can be disabled or enabled

Table 4-2 indicates the state of the transmit port.

Table 4-2. Port Transmit LEDs

LED Color	State
Green (Flashing)	Data activity (flashing to steady on indicates rate)
Off	No activity, port can be disabled or enabled

Table 4-3 indicates the state of the A/B Link LEDs.

Table 4-3. Link LEDs

A	p	S	B	State
Green	N/A	N/A	Green	Ports Enabled & Active
Green	Green	Off	Green	THRU A, MAC on Primary, Secondary Bypasses Board
Green	Green	Yellow	Green	THRU A, MAC on Primary, No MAC on Secondary
Green	Off	Green	Green	THRU B, MAC on Secondary, Primary Bypasses Board
Green	Yellow	Green	Green	THRU B, MAC on Secondary, No MAC on Primary
Green	Yellow	Off	Green	THRU, No MAC on Primary, Secondary Bypasses Board
Green	Off	Yellow	Green	THRU, No MAC on Secondary, Primary Bypasses Board
Green	Green	Red	Yellow	WRAP A, MAC on Primary
Green	Yellow	Red	Yellow	WRAP A, No MAC on Primary
Yellow	Green	Red	Green	WRAP B, MAC on Primary
Yellow	Yellow	Red	Green	WRAP B, No MAC on Primary
Green	Green	Red	Green	WRAP AB, MAC on Primary
Green	Off	Off	Green	BYPASS Primary & Secondary
Green	Red	Red	Green	TWISTED A-A, B-B
Yellow	Off	Off	Yellow	PCM did not complete, Not Active
Red	Off	Off	Red	Ports Disabled

CHAPTER 5

TECHNICAL SPECIFICATIONS

This chapter includes the technical specifications for Cabletron Systems 7F06-02 module. Cabletron Systems reserves the right to change these specifications at any time without notice.

5.1 STANDARDS

IEEE 802.1D

IEEE 802.3i 10BASE-T

5.2 EMI

The EMI requirements of:

- FCC Part 15 Class A
- EN 55022 Class A
- VCCI Class I

5.3 EMC

The EMC requirements of:

- EN 50082-1
- IEC 801-2 ESD
- IEC 801-3 Radiated susceptibility
- IEC 801-4 EFT

5.4 NETWORK INTERFACES

Two FPIMs

5.5 SAFETY

It is the responsibility of the person who sells the system to which the module will be a part to ensure that the total system meets allowed limits of conducted and radiated emissions.

This equipment meets the safety requirements of:

- UL 1950
- CSA C22.2 No. 950
- EN 60950
- IEC 950

5.6 SERVICE

MTBF >200,000 hours

MTTR <0.5 hour

5.7 PHYSICAL

5.7.1 Dimensions

31.1D x 22.9 H x 3.1 W centimeters

(12.3 D x 9.0 H x 1.2 W inches)

5.7.2 Weight

Unit: 1.8 kgs. (4 lbs.)

Shipping: 4.5 kgs. (10 lbs.)

Free Manuals Download Website

<http://myh66.com>

<http://usermanuals.us>

<http://www.somanuals.com>

<http://www.4manuals.cc>

<http://www.manual-lib.com>

<http://www.404manual.com>

<http://www.luxmanual.com>

<http://aubethermostatmanual.com>

Golf course search by state

<http://golfingnear.com>

Email search by domain

<http://emailbydomain.com>

Auto manuals search

<http://auto.somanuals.com>

TV manuals search

<http://tv.somanuals.com>