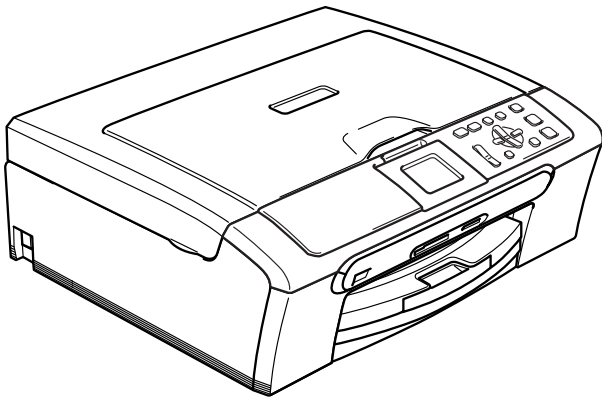


brother®

USER'S GUIDE



DCP-330C
DCP-540CN
DCP-750CW



If you need to call Customer Service

Please complete the following information for future reference:

Model Number: DCP-330C and DCP-540CN and DCP-750CW (Circle your model number)

Serial Number: ¹ _____

Date of Purchase: _____

Place of Purchase: _____

¹ The serial number is on the back of the unit. Retain this User's Guide with your sales receipt as a permanent record of your purchase, in the event of theft, fire or warranty service.

Register your product on-line at

<http://www.brother.com/registration/>

By registering your product with Brother, you will be recorded as the original owner of the product. Your registration with Brother:

- may serve as confirmation of the purchase date of your product should you lose your receipt; and
- may support an insurance claim by you in the event of product loss covered by insurance.

© 2006 Brother Industries, Ltd.

Compilation and Publication Notice

Under the supervision of Brother Industries Ltd., this manual has been compiled and published, covering the latest product descriptions and specifications.

The contents of this manual and the specifications of this product are subject to change without notice.

Brother reserves the right to make changes without notice in the specifications and materials contained herein and shall not be responsible for any damages (including consequential) caused by reliance on the materials presented, including but not limited to typographical and other errors relating to the publication.

EC Declaration of Conformity under the R & TTE Directive



EC Declaration of Conformity

Manufacturer

Brother Industries, Ltd.
15-1, Naeshiro-cho, Mizuho-ku, Nagoya 467-8561, Japan

Plant

Brother Industries (Shen Zhen) Ltd
G02414-1, Bao Chang Li Bonded Transportation Industrial Park,
Bao Long Industrial Estate, Longgang, Shenzhen, China

Herewith declare that:

Products description : Copier Printer
Model Name : DCP-330C, DCP-540CN
are in conformity with provisions of the Directives applied : Low Voltage Directive
73/23/EEC (as amended by 93/68/EEC) and the Electromagnetic Compatibility Directive
89/336/EEC (as amended by 91/263/EEC and 92/31/EEC and 93/68/EEC).

Product description : Copier Printer
Model Name : DCP-750CW
is in conformity with provisions of the R & TTE Directive (1999/5/EC).

We declare compliance with the following standards :

Harmonized : Safety EN60950-1:2001+A11:2004

EMC EN55022: 1998 +A1: 2000 +A2: 2003 Class B
EN55024: 1998 +A1: 2001 +A2: 2003
EN61000-3-2: 2000
EN61000-3-3: 1995 +A1: 2001

Radio EN301 489-1 V1.4.1
EN301 489-17 V1.2.1
EN300 328 V1.6.1

※ Radio applies to DCP-750CW only.

Year in which CE marking was first affixed : 2006

Issued by : Brother Industries, Ltd.
Date : 1st July, 2006
Place : Nagoya, Japan
Signature :



Takashi Maeda
Manager
Quality Management Dept.
Printing & Solutions Company

Table of Contents

Section I General

1 General Information

Using the documentation	2
Symbols and conventions used in the documentation	2
Accessing the Software User's Guide and Network User's Guide (DCP-540CN and DCP-750CW only)	3
Viewing Documentation	3
Control panel overview	6
LCD display indications	8
Basic Operations	8
Warning LED indications	9
Printing Reports	9

2 Loading documents and paper

Loading documents	10
Using the ADF (DCP-540CN only)	10
Using the scanner glass	10
Scanning area	11
Acceptable paper and other media	12
Recommended media	12
Handling and using media	13
Choosing the right media	14
Loading paper, envelopes and other media	16
Loading paper and other media	16
Loading envelopes, post cards and photo paper	18
Printable Area	22

3 General setup

Paper settings	23
Paper Type	23
Paper Size	23
LCD display	24
LCD Contrast	24
Setting the backlight brightness	24
Setting the Dim Timer for the backlight	25
Setting the Off Timer	25

Section II Copy

4 Making copies

How to copy	28
Making a single copy	28
Making multiple copies	28
Stop copying	28
Copy options	28
Changing copy speed and quality	29
Enlarging or reducing the image copied	29
Making N in 1 copies or a poster (page layout)	30
Sorting copies using the ADF (DCP-540CN only)	31
Adjusting Brightness, Contrast and Colour	31
Paper options	32
Setting your changes as a new default	33
Restoring all settings to the factory settings	33

Section III Direct Photo Printing

5 Printing photos from a memory card

PhotoCapture Center™ Operations	36
Printing from a memory card without a PC	36
Scanning to a memory card without a PC	36
Using PhotoCapture Center™ from your computer	36
Using memory cards	36
Memory card folder structure	37
Getting started	38
Entering PhotoCapture mode	38
Print Images	39
View Photo(s)	39
Print Index (Thumbnails)	39
Print All Photos	40
Print Photos	40
DPOF printing	41
PhotoCapture Center™ print settings	42
Print Quality	43
Paper options	43
Adjusting Brightness, Contrast and Colour	44
Cropping	45
Borderless printing	45
Setting your changes as a new default	45
Restoring all settings to the factory settings	45
Scan to Card	46
Entering Scan mode	46
How to scan to card	46
Understanding the Error Messages	47

6 Printing photos from a camera with PictBridge

Before Using PictBridge.....	48
PictBridge requirements	48
Using PictBridge	48
Setting your digital camera	48
Printing Images.....	49
DPOF printing.....	49
Understanding the Error Messages	50

Section IV Software

7 Software and Network features

Section V Appendixes

A Safety and Legal

Choosing a location	54
To use the machine safely.....	55
Important safety instructions.....	58
IMPORTANT - For your safety	59
LAN connection (DCP-540CN and DCP-750CW only)	59
EU Directive 2002/96/EC and EN50419.....	60
Legal limitations for copying	60
Trademarks	61

B Troubleshooting and Routine Maintenance

Troubleshooting	62
If you are having difficulty with your machine	62
Error messages	66
Changing LCD language	68
Document jam (DCP-540CN only)	68
Printer jam or paper jam	69
Routine maintenance.....	70
Replacing the ink cartridges	70
Cleaning the outside of the machine	72
Cleaning the scanner.....	73
Cleaning the machine printer platen.....	74
Cleaning the Paper Pick-up Roller	74
Cleaning the print head	75
Checking the print quality	75
Checking the printing alignment	76
Checking the ink volume	76
Machine Information	77
Checking the serial number.....	77
Packing and shipping the machine.....	77

C Menu and Features

On-screen programming	79
Menu table	79
Menu keys	79
Menu table	80

D Specifications

General	90
Print media	92
Copy	93
PhotoCapture Center™	94
PictBridge	94
Scanner	95
Printer	96
Interfaces	97
Computer requirements	98
Consumable items	99
Network (LAN) (DCP-540CN and DCP-750CW only)	100

E Glossary

F Index



General

General Information	2
Loading documents and paper	10
General setup	23

Using the documentation

Thank you for buying a Brother machine! Reading the documentation will help you make the most of your machine.

Symbols and conventions used in the documentation

The following symbols and conventions are used throughout the documentation.

Bold	Bold typeface identifies specific keys on the machine control panel.
<i>Italics</i>	Italicized typeface emphasizes an important point or refers you to a related topic.
<code>Courier New</code>	Text in the Courier New font identifies messages on the LCD of the machine.



Warnings tell you what to do to prevent possible personal injury.



Electrical Hazard icons alert you to possible electrical shock.



Hot Surface icons warn you not to touch machine parts that are hot.



Cautions specify procedures you must follow or avoid to prevent possible damage to the machine or other objects.



Notes tell you how you should respond to a situation that may arise or give tips about how the operation works with other features.



Improper Setup icons alert you to devices and operations that are not compatible with the machine.

Accessing the Software User's Guide and Network User's Guide (DCP-540CN and DCP-750CW only)

This User's Guide does not contain all the information about the machine such as how to use Printer, Scanner and Network. When you are ready to learn detailed information about these operations, read the Software User's Guide and Network User's Guide (DCP-540CN and DCP-750CW only) that is on the CD-ROM.

Viewing Documentation

Viewing Documentation (For Windows®)

To view the documentation, from the **Start** menu, point to **Brother, DCP-XXXX** (where XXXX is your model name) from the programs group, and then select **User's Guide**.

If you have not installed the software, you can find the documentation by following the instructions below:

- 1 Turn on your PC. Insert the Brother CD-ROM into your CD-ROM drive.
- 2 If the model name screen appears, click your model name.

- 3 If the language screen appears, click your language. The CD-ROM main menu will appear.



Note

If this window does not appear, use Windows® Explorer to run the setup.exe program from the root directory of the Brother CD-ROM.

- 4 Click **User's Guide**.

How to find Scanning instructions

There are several ways you can scan documents. You can find the instructions as follows:

Software User's Guide

- **Scanning** (For Windows® 98/98SE/Me/2000 Professional and Windows® XP)
- **ControlCenter3** (For Windows® 98/98SE/Me/2000 Professional and Windows® XP)
- **Network Scanning** (DCP-540CN and DCP-750CW only)

PaperPort® SE with OCR User's Guide

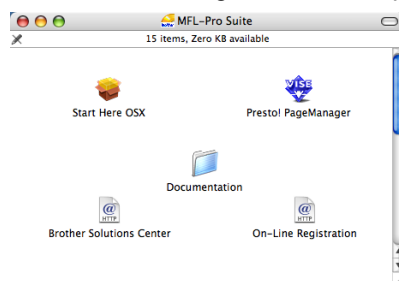
- Instructions for scanning directly from ScanSoft® PaperPort®. The complete ScanSoft® PaperPort® SE with OCR User's Guide can be viewed from the Help selection in the ScanSoft® PaperPort® with OCR application.

How to find Network setup instructions (DCP-750CW only)

Your machine can be connected to a wireless or wired network. You can find basic setup instructions in the Quick Setup Guide. For more information, or if your access point supports SecureEasySetup™, please see the Network User's Guide.

Viewing Documentation (For Macintosh®)

- 1 Turn on your Macintosh®. Insert the Brother CD-ROM into your CD-ROM drive. The following window will appear.



- 2 Double-click the **Documentation** icon.
- 3 Double-click your language folder.
- 4 Double-click the top page file.
- 5 Click the documentation you want to read.
 - **Software User's Guide:** Software User's Guide in HTML format
 - **Network User's Guide:** Network User's Guide (DCP-540CN and DCP-750CW only) in HTML format

How to find Scanning instructions

There are several ways you can scan documents. You can find the instructions as follows:

Software User's Guide

- *Scanning* (For Mac OS® X 10.2.4 or greater)
- *ControlCenter2* (For Mac OS® X 10.2.4 or greater)
- *Network Scanning* (For Mac OS® X 10.2.4 or greater)
(DCP-540CN and DCP-750CW only)

Presto!® PageManager® User's Guide

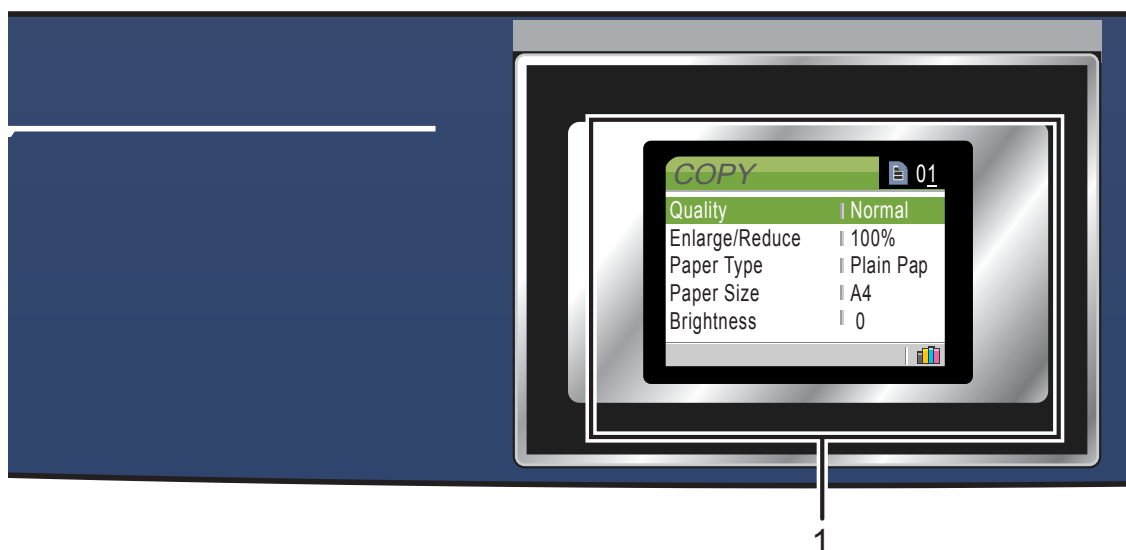
- Instructions for scanning directly from Presto!® PageManager®. The complete Presto!® PageManager® User's Guide can be viewed from the Help selection in the Presto!® PageManager® application.

How to find Network setup instructions (DCP-750CW only)

Your machine can be connected to a wireless or wired network. You can find basic setup instructions in the Quick Setup Guide. For more information, or if your access point supports SecureEasySetup™, please see the Network User's Guide.

Control panel overview

DCP-330C panel shown



1 LCD (liquid crystal display)

Displays messages on the screen to help you set up and use your machine.

Also, you can adjust the angle of the LCD display by lifting it.



2 Number of Copies

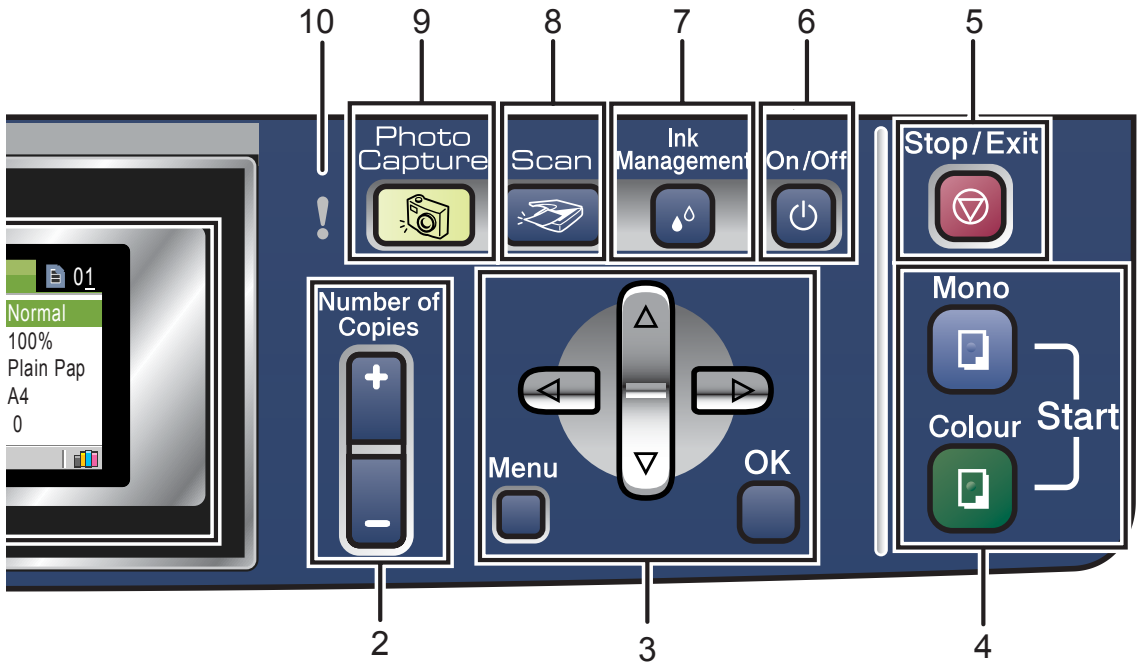
Use this key to make multiple copies.

3 Menu keys:

- ◀ or ▶
Press to scroll backward or forward to a menu selection.
- ▲ or ▼
Press to scroll through the menus and options.
- **Menu**
Lets you access the main menu.
- **OK**
Lets you select a setting.

4 Start keys:

-  **Colour Start**
Lets you start making copies in full colour. Also lets you start a scanning operation (in colour or mono, depending on the scanning setting in the ControlCenter software).
-  **Mono Start**
Lets you start making copies in monochrome. Also lets you start a scanning operation (in colour or mono, depending on the scanning setting in the ControlCenter software).



5 Stop/Exit

Stops an operation or exits from a menu.

6 On/Off

You can turn the machine on or off.

If you turn the machine off, it will still periodically clean the print head to maintain print quality.

7 Ink Management

Lets you clean the print head, check the print quality, and check the available ink volume.

8 Scan

Lets you access Scan mode.

9 PhotoCapture

Lets you access PhotoCapture Center™ mode.

10 Warning LED

Turns red when the LCD displays an error or an important status message.

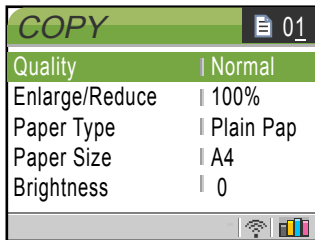


Note

Most of the illustrations in this User's Guide show the DCP-330C.

LCD display indications

The LCD shows the current machine status when the machine is idle.



1 2

1 Wireless Status (DCP-750CW only)

A four level indicator shows the current wireless signal strength if you are using a wireless connection.



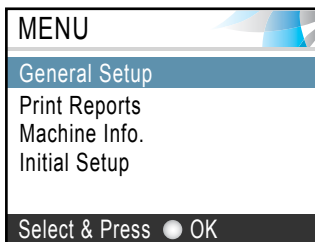
2 Ink indicator

Lets you see the available ink volume.

Basic Operations

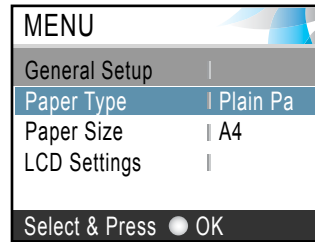
For example, to change the paper type to Inkjet Paper.

- 1 Press **Menu**.
- 2 Press **▲** or **▼** to choose **General Setup**.



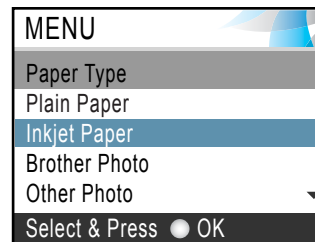
Press **OK**.

- 3 Press **▲** or **▼** to choose **Paper Type**.



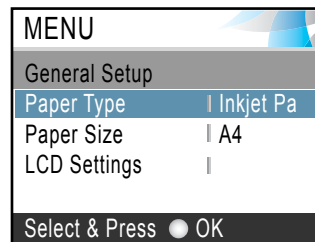
Press **OK**.

- 4 Press **▲** or **▼** to choose **Inkjet Paper**.



Press **OK**.

You can see the current setting on the LCD:



- 5 Press **Stop/Exit**.

Warning LED indications

The Warning LED (Light Emitting Diode) lights when there is a problem with your machine. You should check the LCD display for more details about the problem.



LED	DCP status	Description
! Off	Ready	The DCP is ready for use.
! Red	Cover open	The cover is open. Close the cover. (See <i>Error messages</i> on page 66.)
	Ink empty	Replace the Ink cartridge with a new one. (See <i>Replacing the ink cartridges</i> on page 70.)
	Paper error	Put paper in the tray or clear the paper jam. Check the LCD message. (See <i>Error messages</i> on page 66.)
	Other messages	Check the LCD message. (See <i>Error messages</i> on page 66.)

Printing Reports

The following reports are available:

- **Help List**
A help list about how to quickly program your machine.
- **User Settings**
Lists your settings.
- **Network config.**
(DCP-540CN and DCP-750CW only)
Lists your Network settings.

How to print a report

- 1 Press **Menu**.
- 2 Press **▲** or **▼** to choose **Print Reports**. Press **OK**.
- 3 Press **▲** or **▼** to choose the report you want. Press **OK**.
- 4 Press **Mono Start**.

2

Loading documents and paper

Loading documents

You can make copies, and scan from the ADF (automatic document feeder) and from the scanner glass.

Using the ADF (DCP-540CN only)

The ADF can hold up to 10 pages and feeds each sheet individually. Use standard 80 g/m² (20 lb) paper and always fan the pages before putting them in the ADF.

Recommended environment

Temperature:	20 to 30° C (68 to 86° F)
Humidity:	50% to 70%
Paper:	80 g/m ² A4 (20 lb LTR)

Document Sizes Supported

Length:	148 to 355.6 mm (5.8 to 14 in.)
Width:	148 to 215.9 mm (5.8 to 8.5 in.)
Weight:	64 to 90 g/m ² (17 to 24 lb)

How to load documents

! CAUTION

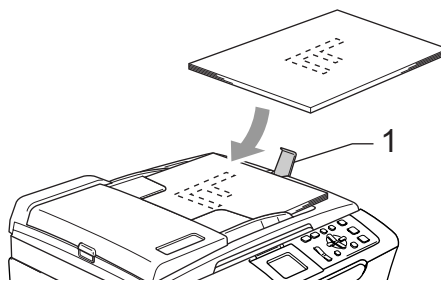
DO NOT pull on the document while it is feeding.

DO NOT use paper that is curled, wrinkled, folded, ripped, stapled, paper clipped, pasted or taped.

DO NOT use cardboard, newspaper or fabric.

■ Make sure documents written with ink are completely dry.

- 1 Fan the pages well. Make sure you put the documents **face down, top edge first** in the ADF until you feel them touch the feed roller.
- 2 Adjust the paper guides to fit the width of your documents.
- 3 Unfold the ADF Document Output Support Flap (1).



! CAUTION

DO NOT leave thick documents on the scanner glass. If you do this, the ADF may jam.

Using the scanner glass

You can use the scanner glass to copy or scan pages of a book or one page at a time.

Document Sizes Supported

Length:	Up to 297 mm (11.7 in.)
Width:	Up to 215.9mm (8.5 in.)
Weight:	Up to 2 kg (4.4 lb)

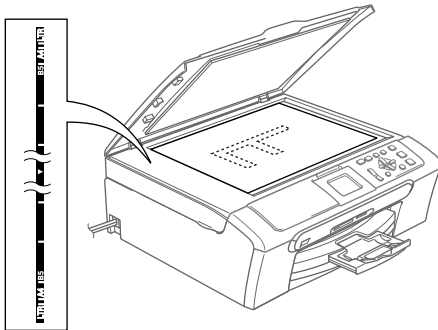
How to load documents



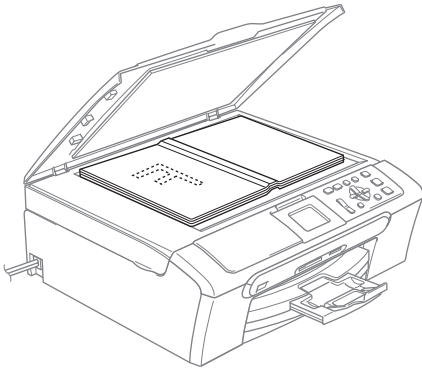
Note

To use the scanner glass, the ADF must be empty.

- 1 Lift the document cover.



- 2 Using the document guidelines on the left, center the document face down on the scanner glass.



- 3 Close the document cover.

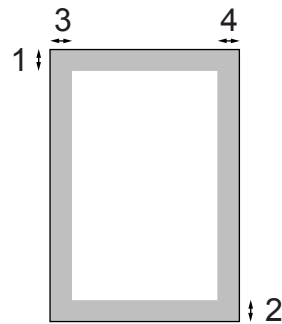


CAUTION

If you are scanning a book or thick document, DO NOT slam the cover or press on it.

Scanning area

The scanning area depends on the settings in the application you are using. The figures below show the areas you cannot scan on A4 or Letter paper.



Usage	Document Size	Top (1) Bottom (2)	Left (3) Right (4)
Copy	Letter	3 mm (0.12 in.)	3 mm (0.12 in.)
	A4	3 mm (0.12 in.)	3 mm (0.12 in.)
Scan	Letter	3 mm (0.12 in.)	3 mm (0.12 in.)
	A4	3 mm (0.12 in.)	0 mm (0 in.)

Acceptable paper and other media

The print quality can be affected by the type of paper you are using in the machine.

To get the best print quality for the settings you have chosen, always set the Paper Type to match the type of paper you load.

You can use plain paper, inkjet paper (coated paper), glossy paper, transparencies and envelopes.

We recommend testing various paper types before buying large quantities.

For best results, use the Brother paper.

- When you print on inkjet paper (coated paper), transparencies and glossy paper, be sure to choose the correct media in the **'Basic'** tab of the printer driver or in the Paper Type setting of the menu.
- When you print on Brother photo paper, load the instruction sheet included with the photo paper in the paper tray first, and then put the photo paper on the instruction sheet.
- When you use transparencies or photo paper, remove each sheet at once to prevent smudging or paper jams.
- Avoid touching the printed surface of the paper immediately after printing; the surface may not be completely dry and may stain your fingers.

Recommended media

To get the best print quality, we suggest using Brother paper. (See table below.)

If Brother paper is not available in your country, we recommend testing various papers before purchasing large quantities.

We recommend using '3M Transparency Film' when you print on transparencies.

Brother paper

Paper Type	Item
A4 Plain	BP60PA
A4 Glossy Photo	BP61GLA
A4 Inkjet (Matte)	BP60MA
10 x 15 cm Glossy	BP61GLP

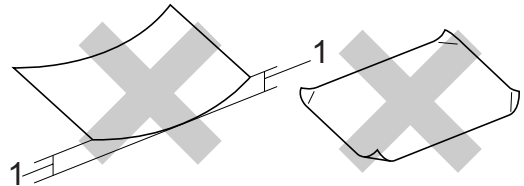
Handling and using media

- Store paper in its original packaging, and keep it sealed. Keep the paper flat and away from moisture, direct sunlight and heat.
- The coated side of photo paper is shiny. Avoid touching the shiny (coated) side. Load photo paper with the shiny side facing down.
- Avoid touching either side of transparencies because they absorb water and perspiration easily, and this may cause decreased output quality. Transparencies designed for laser printers/copiers may stain your next document. Use only transparencies recommended for inkjet printing.

Improper Setup

DO NOT use the following kinds of paper:

- Damaged, curled, wrinkled, or irregularly shaped paper



1 2 mm (0.08 in.) or longer

- Extremely shiny or highly textured paper
- Paper already printed on by a printer
- Paper that cannot be arranged uniformly when stacked
- Paper made with a short grain

Paper capacity of the output paper tray

Up to 50 sheets of 20 lb Letter or 80 g/m² A4 paper.

- Transparencies or photo paper must be picked up from the output paper tray one page at a time to avoid smudging.

Choosing the right media

Paper type and size for each operation

Paper Type	Paper Size		Usage		
			Copy	Photo Capture	Printer
Cut Sheet	Letter	216 × 279 mm (8 1/2 × 11 in.)	Yes	Yes	Yes
	A4	210 × 297 mm (8.3 × 11.7 in.)	Yes	Yes	Yes
	Legal	216 × 356 mm (8 1/2 × 14 in.)	Yes	–	Yes
	Executive	184 × 267 mm (7 1/4 × 10 1/2 in.)	–	–	Yes
	JIS B5	182 × 257 mm (7.2 × 10.1 in.)	–	–	Yes
	A5	148 × 210 mm (5.8 × 8.3 in.)	Yes	–	Yes
	A6	105 × 148 mm (4.1 × 5.8 in.)	–	–	Yes
Cards	Photo	10 × 15 cm (4 × 6 in.)	Yes	Yes	Yes
	Photo L	89 × 127 mm (3 1/2 × 5 in.)	–	–	Yes
	Photo 2L	13 × 18 cm (5 × 7 in.)	–	Yes	Yes
	Index Card	127 × 203 mm (5 × 8 in.)	–	–	Yes
	Post Card 1	100 × 148 mm (3.9 × 5.8 in.)	–	–	Yes
	Post Card 2 (Double)	148 × 200 mm (5.8 × 7.9 in.)	–	–	Yes
Envelopes	C5 Envelope	162 × 229 mm (6.4 × 9 in.)	–	–	Yes
	DL Envelope	110 × 220 mm (4.3 × 8.7 in.)	–	–	Yes
	COM-10	105 × 241 mm (4 1/8 × 9 1/2 in.)	–	–	Yes
	Monarch	98 × 191 mm (3 7/8 × 7 1/2 in.)	–	–	Yes
	JE4 Envelope	105 × 235 mm (4.1 × 9.3 in.)	–	–	Yes
Transparencies	Letter	216 × 279 mm (8 1/2 × 11 in.)	Yes	–	Yes
	A4	210 × 297 mm (8.3 × 11.7 in.)	Yes	–	Yes

Paper weight, thickness and capacity

Paper Type		Weight	Thickness	No. of sheets
Cut Sheet	Plain Paper	64 to 120 g/m ² (17 to 32 lb)	0.08 to 0.15 mm (0.003 to 0.006 in.)	100 ¹
	Inkjet Paper	64 to 200 g/m ² (17 to 53 lb)	0.08 to 0.25 mm (0.003 to 0.01 in.)	20
	Glossy Paper	Up to 220 g/m ² (Up to 58 lb)	Up to 0.25 mm (Up to 0.01 in.)	20 ²
Cards	Photo Card	Up to 240 g/m ² (Up to 64 lb)	Up to 0.28 mm (Up to 0.01 in.)	20 ²
	Index Card	Up to 120 g/m ² (Up to 32 lb)	Up to 0.15 mm (Up to 0.006 in.)	30
	Post Card	Up to 200 g/m ² (Up to 53 lb)	Up to 0.23 mm (Up to 0.01 in.)	30
Envelopes		75 to 95 g/m ² (20 to 25 lb)	Up to 0.52 mm (Up to 0.02 in.)	10
Transparencies		–	–	10

¹ Up to 50 sheets for Legal size paper 80 g/m² (20 lb).
Up to 100 sheets of 80 g/m² (20 lb) paper.

² For Photo 10 x 15 cm and Photo L paper, use the Photo Paper Tray. See *Loading photo paper* on page 20.

Loading paper, envelopes and other media

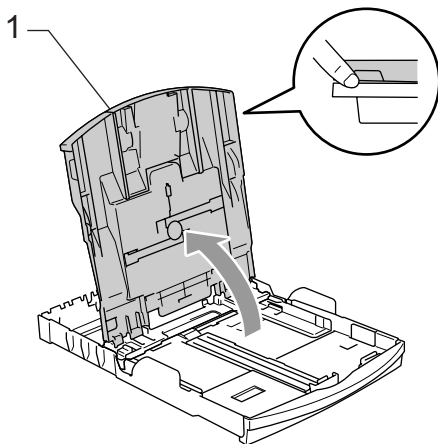
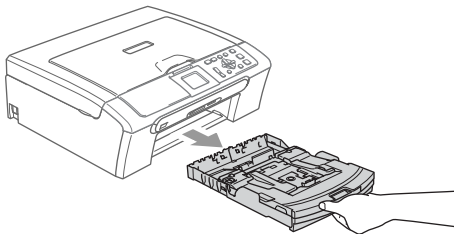
Loading paper and other media



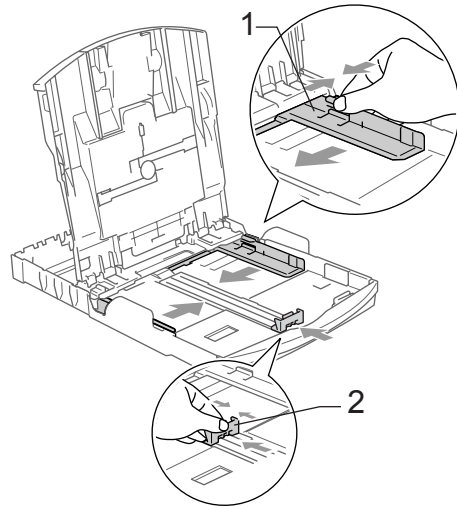
Note

To print on Photo L or 10 x 15 cm paper, please see *Loading photo paper* on page 20.

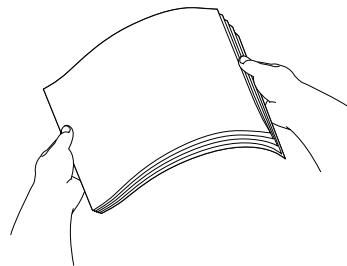
- 1 Pull the paper tray completely out of the machine.
If the paper support flap is open, close it and lift the output paper tray cover (1).



- 2 Press and slide the paper side guides (1) and paper length guide (2) to fit the paper size.



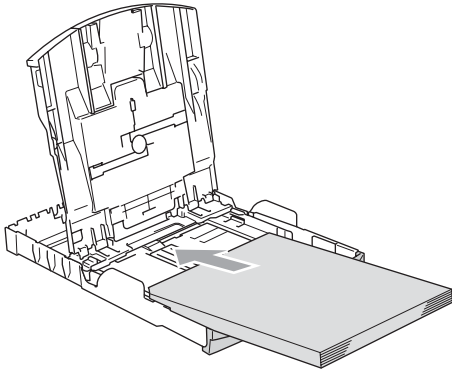
- 3 Fan the stack of paper well to avoid paper jams and misfeeds.



Note

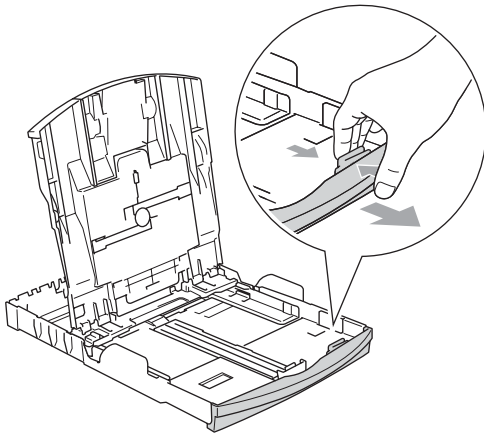
Always make sure that the paper is not curled.

- 4 Gently put the paper into the paper tray print side down and top edge first. Check that the paper is flat in the tray.

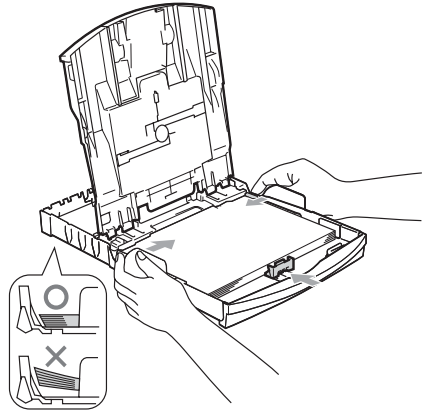


Note

When you use Legal size paper, press and hold the universal guide release button as you slide out the front of the paper tray.



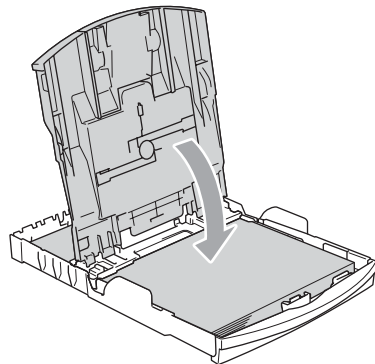
- 5 Gently adjust the paper side guides with both hands and the paper length guide to the paper. Make sure the paper side guides touch the sides of the paper.



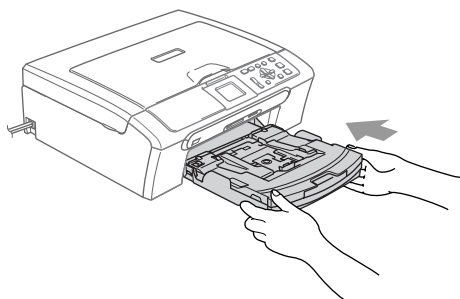
Note

Be careful that you do not push the paper in too far; it may lift at the back of the tray and cause feed problems.

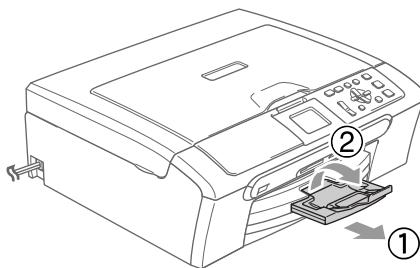
- 6 Close the paper tray cover.



- 7 Slowly push the paper tray completely back into the machine.



- 8 While holding the paper tray in place, pull out the paper support (1) until it clicks and unfold the paper support flap (2).



Note

Do not use the paper support flap for Legal paper.

Loading envelopes, post cards and photo paper

Loading envelopes

- Use envelopes that weigh from 75 to 95 g/m² (20 to 25 lb).
- Some envelopes need margin settings to be set in the application. Make sure you do a test print first.

! CAUTION

Do not use any of the following types of envelope, as they will cause paper feed problems:

- If they are of a baggy construction.
- That are embossed (have raised writing on them).
- That have clasps or staples.
- That are pre-printed on the inside.

<p>Glue</p>	<p>Double flap</p>
--------------------	---------------------------

Occasionally you may experience paper feed problems caused by the thickness, size and flap shape of the envelopes you are using.

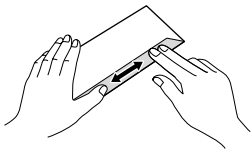
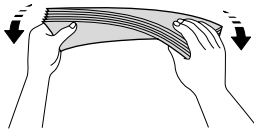
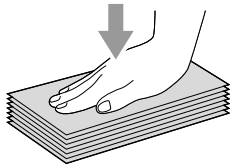
How to load envelopes and post cards

- 1 Before loading, press the corners and sides of the envelopes or post cards to make them as flat as possible.

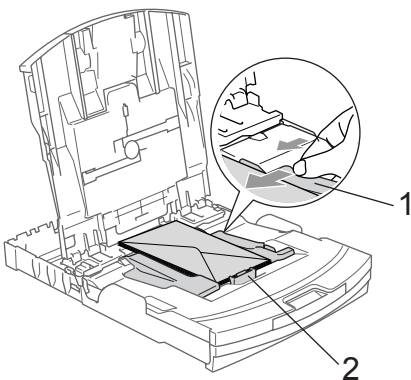


Note

If the envelopes or post cards are 'double-feeding,' put one envelope in the paper tray at a time.

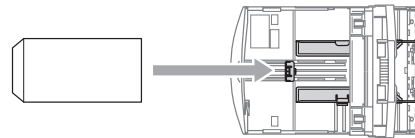
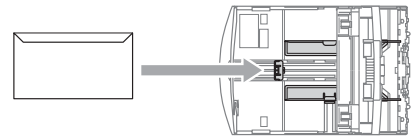


- 2 Put the envelopes or post cards into the paper tray with the address side down and the leading edge (top of the envelopes) in first. Slide the paper side guides (1) and paper length guide (2) to fit the size of the envelopes or post cards.



If you have problems when printing on envelopes, try the following suggestions:

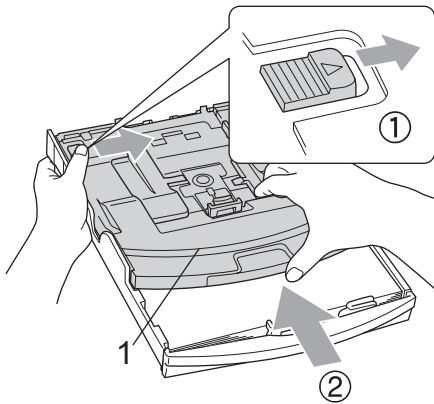
- 1 Open the envelope flap.
- 2 Make sure the open flap is either to the side of the envelope or to the back edge of the envelope when printing.
- 3 Adjust the size and margin in your application.



Loading photo paper

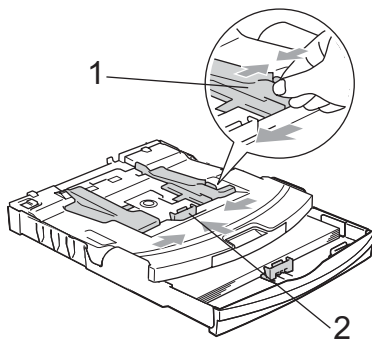
Use the photo paper tray which has been assembled on the top of the paper tray to print on photo 10 × 15 cm and photo L size paper. You can leave paper in the standard paper tray when using the photo paper tray.

- 1 Press the photo paper tray release button with your left thumb and push the photo paper tray (the top part of the tray) back until it clicks into the photo printing position.

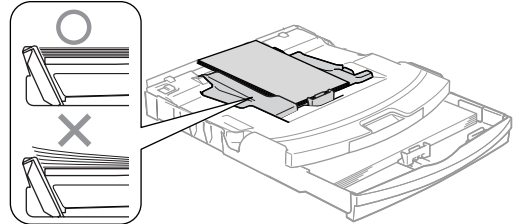


1 Photo Paper Tray

- 2 Press and slide the paper side guides (1) and paper length guide (2) to fit the paper size.



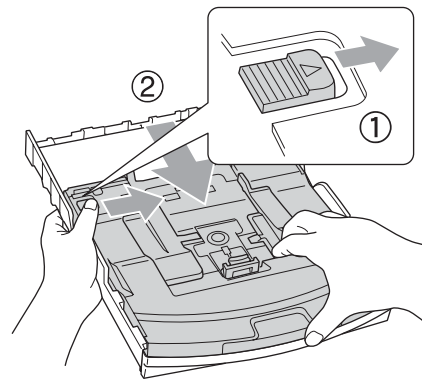
- 3 Put the photo paper into the photo paper tray and gently adjust the paper side guides to fit the paper. Make sure the paper side guides touch the sides of the paper.



Note

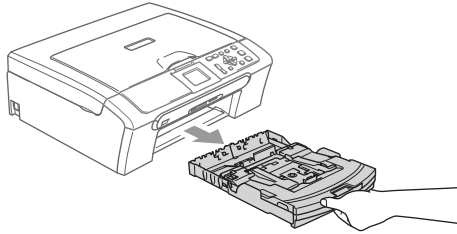
- Be careful that you do not push the paper in too far; it may lift at the back of the tray and cause feed problems.
- Always make sure that the paper is not curled.

- 4 When you have finished printing photos return the photo paper tray to the normal printing position. Press the photo paper tray release button with your left thumb and pull the photo paper tray forward until it clicks.



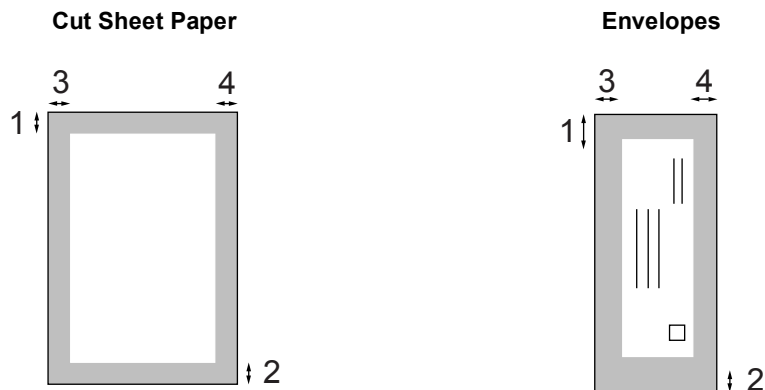
Removing small printouts from the machine

When the machine ejects small paper onto the output paper tray you may not be able to reach it. Make sure printing has finished, and then pull the tray completely out of the machine.



Printable Area

The printable area depends on the settings in the application you are using. The figures below show the unprintable areas on cut sheet paper and envelopes. The machine can only print in the shaded areas when the Borderless print feature is available and turned on.



	Top (1)	Bottom (2)	Left (3)	Right (4)
Cut Sheet	3 mm (0.12 in.)	3 mm (0.12 in.)	3 mm (0.12 in.)	3 mm (0.12 in.)
Envelopes	12 mm (0.47 in.)	24 mm (0.95 in.)	3 mm (0.12 in.)	3 mm (0.12 in.)



Note

The Borderless feature is not available for envelopes.

Paper settings

Paper Type

To get the best print quality, set the machine for the type of paper you are using.

- 1 Press **Menu**.
- 2 Press ▲ or ▼ to choose `General Setup`. Press **OK**.
- 3 Press ▲ or ▼ to choose `Paper Type`. Press **OK**.
- 4 Press ▲ or ▼ to choose `Plain Paper`, `Inkjet Paper`, `Brother Photo`, `Other Photo` or `Transparency`. Press **OK**.
- 5 Press **Stop/Exit**.



Note

The machine ejects paper with printed surfaces face up onto the paper tray in front of the machine. When you use transparencies or glossy paper, remove each sheet at once to prevent smudging or paper jams.

Paper Size

You can use five sizes of paper for printing copies: Letter, Legal, A4, A5, and 10 × 15 cm (4 × 6 in.). When you change the size of paper you load in the machine, you will need to change the paper size setting at the same time.

- 1 Press **Menu**.
- 2 Press ▲ or ▼ to choose `General Setup`. Press **OK**.
- 3 Press ▲ or ▼ to choose `Paper Size`. Press **OK**.
- 4 Press ▲ or ▼ to choose `Letter`, `Legal`, `A4`, `A5` or `10X15cm`. Press **OK**.
- 5 Press **Stop/Exit**.

LCD display

LCD Contrast

You can adjust the LCD contrast for a sharper and more vivid display. If you are having difficulty reading the LCD, try changing the contrast setting.

- 1 Press **Menu**.
- 2 Press **▲** or **▼** to choose `General Setup`. Press **OK**.
- 3 Press **▲** or **▼** to choose `LCD Settings`. Press **OK**.
- 4 Press **▲** or **▼** to choose `LCD Contrast`. Press **OK**.
- 5 Press **▲** or **▼** to choose `Light, Med or Dark`. Press **OK**.
- 6 Press **Stop/Exit**.

Setting the backlight brightness

If you are having difficulty reading the LCD, try changing the brightness setting.

- 1 Press **Menu**.
- 2 Press **▲** or **▼** to choose `General Setup`. Press **OK**.
- 3 Press **▲** or **▼** to choose `LCD Settings`. Press **OK**.
- 4 Press **▲** or **▼** to choose `Backlight`. Press **OK**.
- 5 Press **▲** or **▼** to choose `Light, Med or Dark`. Press **OK**.
- 6 Press **Stop/Exit**.

Setting the Dim Timer for the backlight

You can set how long the LCD backlight stays on after the last key press.

- 1 Press **Menu**.
- 2 Press **▲** or **▼** to choose `General Setup`. Press **OK**.
- 3 Press **▲** or **▼** to choose `LCD Settings`. Press **OK**.
- 4 Press **▲** or **▼** to choose `Dim Timer`. Press **OK**.
- 5 Press **▲** or **▼** to choose `10 Secs`, `20 Secs`, `30 Secs` or `Off`. Press **OK**.
- 6 Press **Stop/Exit**.

Setting the Off Timer

You can set how long the LCD stays on after the last key press. This is a power saving feature. The machine can print and scan when the LCD is off.

- 1 Press **Menu**.
- 2 Press **▲** or **▼** to choose `General Setup`. Press **OK**.
- 3 Press **▲** or **▼** to choose `LCD Settings`. Press **OK**.
- 4 Press **▲** or **▼** to choose `Off Timer`. Press **OK**.
- 5 Press **▲** or **▼** to choose `1 Min`, `2 Mins`, `3 Mins`, `5 Mins`, `10 Mins`, `30 Mins` or `Off`. Press **OK**.
- 6 Press **Stop/Exit**.



Note

When the display is off you can press any key to turn it back on.



Copy

Making copies

28

4

Making copies

How to copy

Making a single copy

- 1 Load your document.
(See *Loading documents* on page 10.)
- 2 Press **Mono Start** or **Colour Start**.

Making multiple copies

You can make up to 99 copies.

- 1 Load your document.
- 2 Press **+** or **-** repeatedly until the number of copies you want appears (up to 99).
- 3 Press **Mono Start** or **Colour Start**.



Note

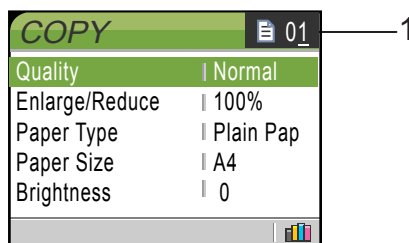
To sort the copies, press **▲** or **▼** to choose *Stack/Sort*. (See *Sorting copies using the ADF (DCP-540CN only)* on page 31.)

Stop copying

To stop copying, press **Stop/Exit**.

Copy options

You can change the copy settings from the default display. The LCD shows:



1 No of Copies

You can enter the number of copies you want by pressing **+** or **-** repeatedly.

Press **▲** or **▼** to scroll through the copy options menu.

- Quality (See page 29.)
- Enlarge/Reduce (See page 29.)
- Paper Type (See page 32.)
- Paper Size (See page 32.)
- Brightness (See page 31.)
- Contrast (See page 31.)
- Color Adjust (See page 32.)
- Stack/Sort (DCP-540CN only)
(See page 31.)
- Page Layout (See page 30.)
- Set New Default (See page 33.)
- Factory Reset (See page 33.)

When the option you want is highlighted, press **OK**.

You can change the copy settings temporarily for the next copy.

The machine returns to its default settings after 60 seconds.

If you have finished choosing settings, press **Mono Start** or **Colour Start**.

If you want to choose more settings, press ▲ or ▼.



Note

You can save some of the settings that you use most often by setting them as default. These settings will stay until you change them again. (See *Setting your changes as a new default* on page 33.)

Changing copy speed and quality

You can choose the copy quality. The factory setting is *Normal*.

Fast	Fast copy speed and lowest amount of ink used. Use this setting to save time (documents to be proof read, large documents or many copies).
Normal	Recommended setting for ordinary print outs. Good copy quality with adequate copy speed.
Best	Use this setting to copy precise images such as photographs. The highest resolution and slowest speed.

- 1 Load your document.
- 2 Enter the number of copies you want.
- 3 Press ▲ or ▼ to choose *Quality*. Press **OK**.
- 4 Press ▲ or ▼ to choose *Fast*, *Normal* or *Best*. Press **OK**.
- 5 If you do not want to change additional settings, press **Mono Start** or **Colour Start**.

Enlarging or reducing the image copied

You can choose an enlargement or reduction ratio.

- 1 Load your document.
- 2 Enter the number of copies you want.
- 3 Press ▲ or ▼ to choose *Enlarge/Reduce*. Press **OK**.

50%
69% A4→A5
78%
83%
93% A4→LTR
97% LTR→A4
100%*
104% EXE→LTR
142% A5→A4
186% 10×15cm→LTR
198% 10×15cm→A4
200%
Custom (25-400%)

- 4 Choose one of the options below:
 - Use ▲ or ▼ to select the enlargement or reduction ratio you want. Press **OK**.
 - Use ▲ or ▼ to select *Custom (25-400%)*. Press + or - to enter an enlargement or reduction ratio from 25% to 400%. Press **OK**.
- 5 If you do not want to change additional settings, press **Mono Start** or **Colour Start**.



Note

Page Layout Options are not available with *Enlarge/Reduce*.

Making N in 1 copies or a poster (page layout)

You can reduce the number of pages for copies by using the N in 1 copy feature. This allows you to copy two or four pages onto one page, which lets you save paper.

You can also make a poster. When you use the poster feature your machine divides your document into sections, then enlarges the sections so you can assemble them into a poster. If you want to print a poster, use the scanner glass.



Note

- Make sure paper size is set to **Letter** or **A4**.
- If you are producing multiple colour copies, N in 1 copy is not available.
- If **Brother Photo** or **Other Photo** has been chosen in the Paper Type setting for N in 1 copies, the machine will print the images as if **Plain paper** had been chosen.
- (P) means Portrait and (L) means Landscape.
- You can only make one poster copy at a time.

- 1 Load your document.
- 2 Enter the number of copies you want.
- 3 Press ▲ or ▼ to choose **Page Layout**. Press **OK**.
- 4 Press ▲ or ▼ to choose **Off (1in1), 2in1 (P), 2in1 (L), 4in1 (P), 4in1 (L) or Poster (3x3)**. Press **OK**.

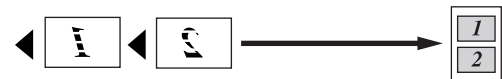
- 5 If you do not want to change additional settings, press **Mono Start** or **Colour Start** to scan the page. If you are making a poster or placed the document in the ADF, the machine scans the pages and starts printing. **If you are using the scanner glass, go to 6.**
- 6 After the machine scans the page, press **+ (Yes)** to scan the next page.
- 7 Put the next page on the scanner glass. Press **OK**. Repeat 6 and 7 for each page of the layout.
- 8 After all the pages have been scanned, press **- (No)** to finish.

Place your document face down in the direction shown below.

■ 2 in 1 (P)



■ 2 in 1 (L)



■ 4 in 1 (P)

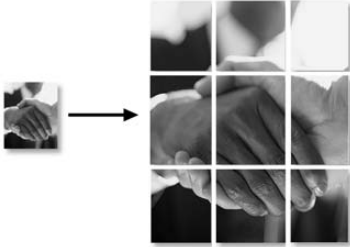


■ 4 in 1 (L)



■ Poster (3 x 3)

You can make a poster size copy of a photograph.



Sorting copies using the ADF (DCP-540CN only)

You can sort multiple copies. Pages will be sorted in reverse order.

- 1 Load your document.
- 2 Enter the number of copies you want.
- 3 Press ▲ or ▼ to choose *Stack/Sort*. Press **OK**.
- 4 Press ▲ or ▼ to choose *Sort*. Press **OK**.
- 5 If you do not want to change additional settings, press **Mono Start** or **Colour Start**.

Adjusting Brightness, Contrast and Colour

Brightness

You can adjust the copy brightness to make copies darker or lighter.

- 1 Load your document.
- 2 Enter the number of copies you want.
- 3 Press ▲ or ▼ to choose *Brightness*. Press **OK**.
- 4 Press ▲ or ▼ to make the copy lighter or darker. Press **OK**.
- 5 If you do not want to change additional settings, press **Mono Start** or **Colour Start**.

Contrast

You can adjust the copy contrast to help an image look sharper and more vivid.

- 1 Load your document.
- 2 Enter the number of copies you want.
- 3 Press ▲ or ▼ to choose *Contrast*. Press **OK**.
- 4 Press ▲ or ▼ to increase or decrease the contrast. Press **OK**.
- 5 If you do not want to change additional settings, press **Mono Start** or **Colour Start**.

Colour Saturation

- 1 Load your document.
- 2 Enter the number of copies you want.
- 3 Press ▲ or ▼ to choose `Color Adjust.`
Press **OK**.
- 4 Press ▲ or ▼ to choose `Red, Green or Blue.`
Press **OK**.
- 5 Press ▲ to increase the colour saturation, or press ▼ to decrease the colour saturation.
Press **OK**.
- 6 Do one of the following:
 - If you want to change saturation for another colour, go to step 4.
 - If you want to change additional settings, press ▲ or ▼ to choose `Exit.`
Press **OK**.
 - If you do not want to change additional settings, press **Mono Start** or **Colour Start**.

Paper options

Paper Type

If you are copying on special paper, set the machine for the type of paper you are using to get the best print quality.

- 1 Load your document.
- 2 Enter the number of copies you want.
- 3 Press ▲ or ▼ to choose `Paper Type.`
Press **OK**.
- 4 Press ▲ or ▼ to choose `Plain Paper, Inkjet Paper, Brother Photo, Other Photo or Transparency.`
Press **OK**.
- 5 If you do not want to change additional settings, press **Mono Start** or **Colour Start**.

Paper Size

If copying on paper other than A4 size, you will need to change the paper size setting.

You can copy only on Letter, Legal, A4, A5 or Photo Card [10 cm (W) × 15 cm (H)] paper.

- 1 Load your document.
- 2 Enter the number of copies you want.
- 3 Press ▲ or ▼ to choose `Paper Size.`
Press **OK**.
- 4 Press ▲ or ▼ to choose `Letter, Legal, A4, A5 or 10x15cm.`
Press **OK**.
- 5 If you do not want to change additional settings, press **Mono Start** or **Colour Start**.

Setting your changes as a new default

You can save the copy settings for `Quality`, `Paper Type`, `Brightness`, `Contrast` and `Color Adjust` that you use most often by setting them as default. These settings will stay until you change them again.

- 1 Press ▲ or ▼ to choose your new setting.
Press **OK**.
Repeat this step for each setting you want to change.
- 2 After changing the last setting, press ▲ or ▼ to choose `Set New Default`.
Press **OK**.
- 3 Press **+** to choose `Yes`.
- 4 Press **Stop/Exit**.

Restoring all settings to the factory settings

You can restore all the settings you have changed to the factory settings. These settings will stay until you change them again.

- 1 Press ▲ or ▼ to choose `Factory Reset`.
Press **OK**.
- 2 Press **+** to choose `Yes`.
- 3 Press **Stop/Exit**.



Direct Photo Printing

Printing photos from a memory card	36
Printing photos from a camera with PictBridge	48

5

Printing photos from a memory card

PhotoCapture Center™ Operations

Printing from a memory card without a PC

Even if your machine is not connected to your computer, you can print photos directly from digital camera media. (See *Print Images* on page 39.)

Scanning to a memory card without a PC

You can scan documents and save them directly to a memory card. See *Scan to Card* on page 46.

Using PhotoCapture Center™ from your computer

You can access the memory card that is in the media drive (slot) of the machine from your PC.

(See *PhotoCapture Center™* for Windows® or *Remote Setup & PhotoCapture Center™* for Macintosh® in the Software User's Guide on the CD-ROM.)

Using memory cards

Your Brother machine has media drives (slots) for use with popular digital camera media: CompactFlash®, Memory Stick®, Memory Stick Pro™, SecureDigital™, MultiMediaCard™ and xD-Picture Card™.



CompactFlash®



Memory Stick®

Memory Stick Pro™



SecureDigital™

MultiMediaCard™



xD-Picture Card™

- miniSD™ can be used with a miniSD™ adapter.
- Memory Stick Duo™ can be used with a Memory Stick Duo™ adapter.
- Memory Stick Pro Duo™ can be used with a Memory Stick Pro Duo™ adapter.
- Adapters are not included with the machine. Contact a third party supplier for adapters.

The PhotoCapture Center™ feature lets you print digital photos from your digital camera at high resolution to get photo quality printing.

Memory card folder structure

Your machine is designed to be compatible with modern digital camera image files and memory cards; however, please read the points below to avoid errors:

- The DPOF file on the memory card must be in a valid format. (See *DPOF printing* on page 41.)
- The image file extension must be .JPG (Other image file extensions like .JPEG, .TIF, .GIF and so on will not be recognized).
- PhotoCapture Center™ printing without using a PC must be performed separately from PhotoCapture Center™ operations using the PC. (Simultaneous operation is not available.)
- IBM Microdrive™ is not compatible with the machine.
- The machine can read up to 999 files on a memory card.
- CompactFlash® Type II is not supported.
- This product supports xD-Picture Card™ Type M / Type H (Large Capacity).

Please be aware of the following:

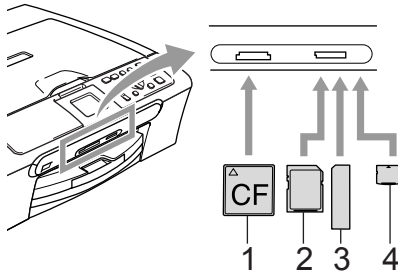
- When printing the INDEX or IMAGE, the PhotoCapture Center™ will print all the valid images, even if one or more images have been corrupted. A portion of the corrupted image may be printed.

- Your machine is designed to read memory cards that have been formatted by a digital camera.

When a digital camera formats a memory card it creates a special folder into which it copies image data. If you need to modify the image data stored on a memory card with your PC, we recommend that you do not modify the folder structure created by the digital camera. When saving new or modified image files to the memory card we also recommend you use the same folder your digital camera uses. If the data is not saved to the same folder, the machine may not be able to read the file or print the image.

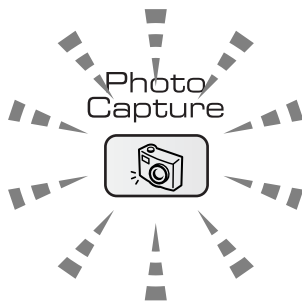
Getting started

Firmly put the card into the correct slot.



- 1 **CompactFlash®**
- 2 **SecureDigital™, MultiMediaCard™**
- 3 **Memory Stick®, Memory Stick Pro™**
- 4 **xD-Picture Card™**

PhotoCapture key indications:



- **PhotoCapture** light is on, the media card is properly inserted.
- **PhotoCapture** light is off, the media card is not properly inserted.
- **PhotoCapture** light is blinking, the media card is being read or written to.

! CAUTION

DO NOT unplug the power cord or remove the media card from the media drive (slot) while the machine is reading or writing to the card (the **PhotoCapture** key is blinking). **You will lose your data or damage the card.**

The machine can only read one media card at a time so do not put more than one card in the slot.

Entering PhotoCapture mode

After you insert the media card, press the



(PhotoCapture) key to illuminate it in green and display the PhotoCapture options on the LCD.

The LCD shows:



Press ▲ or ▼ to scroll through the PhotoCapture key options.

- View Photo(s) (See page 39.)
- Print Index (See page 39.)
- Print All Photos (See page 40.)
- Print Photos (See page 40.)



Note


If your digital camera supports DPOF printing, see *DPOF printing* on page 41.

When the option you want is highlighted, press **OK**.

Print Images

View Photo(s)

You can preview your photos on the LCD before you print them. If your photos are large files there may be a delay before each photo is displayed on the LCD.


- 1 Make sure you have put the media card in the correct slot.
Press  (**PhotoCapture**).
- 2 Press ▲ or ▼ to choose `View Photo(s)`.
Press **OK**.
- 3 Press ◀ or ▶ to choose your photo.
- 4 Press + or - repeatedly to enter the number of copies you want.
- 5 Repeat step 3 and step 4 until you have chosen all the photos.
- 6 After you have chosen all the photos, do one of the following:
 - Press **OK** and change the print setting. (See page 42.)
 - If you do not want to change any settings, press **Colour Start** to print.

Print Index (Thumbnails)

The PhotoCapture Center™ assigns numbers for images (such as No.1, No.2, No.3, and so on).

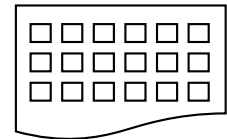


The PhotoCapture Center™ does not recognize any other numbers or file names that your digital camera or PC has used to identify the pictures. You can print a thumbnail page (Index page with 6 or 5 images per line). This will show all the pictures on the media card.

- 1 Make sure you have put the media card in the correct slot.
Press  (**PhotoCapture**).
- 2 Press ▲ or ▼ to choose `Print Index`.
Press **OK**.
- 3 Press ▲ or ▼ to choose `6 Images/Line Fast` or `5 Images/Line Photo`.
Press **OK**.



5 Images/Line
Photo




6 Images/Line
Fast

Print time for 5 Images/Line will be slower than 6 Images/Line, but the quality is better.

- 4 Press **Colour Start** to print.


Print All Photos

You can print all the photos on your media card.

- 1 Make sure you have put the media card in the correct slot.
Press  (**PhotoCapture**).
- 2 Press ▲ or ▼ to choose *Print All Photos*.
Press **OK**.
- 3 Press + or - repeatedly to enter the number of copies you want.
- 4 Do one of the following:
 - Change the print setting. (See page 42.)
 - If you do not want to change any settings, press **Colour Start** to print.

Print Photos

Before you can print an individual image, you have to know the image number.

- 1 Make sure you have put the media card in the correct slot.
Press  (**PhotoCapture**).
- 2 Print the Index. (See *Print Index (Thumbnails)* on page 39.)
- 3 Press ▲ or ▼ to choose *Print Photos*.
Press **OK**.
- 4 Press + repeatedly to enter the image number that you want to print from the Index page (Thumbnails).
If you want to choose a two digit number, press ► to move the cursor to the next digit.
(For example, enter 1, ►, 6 to print image No.16.)
Press **OK**.
- 5 Repeat step 4 until you have entered all the image numbers that you want to print.



Note

Press - to decrease the image number.

- 6 After you have chosen all the image numbers, press **OK** again.
- 7 Press + or - repeatedly to enter the number of copies you want. Press **OK**.
- 8 Do one of the following:
 - Change the print setting. (See page 42.)
 - If you do not want to change any settings, press **Colour Start** to print.


DPOF printing

DPOF stands for Digital Print Order Format.

Major digital camera manufacturers (Canon Inc., Eastman Kodak Company, Fuji Photo Film Co. Ltd., Matsushita Electric Industrial Co. Ltd. and Sony Corporation) created this standard to make it easier to print images from a digital camera.

If your digital camera supports DPOF printing, you will be able to choose on the digital camera display the images and number of copies you want to print.

When the memory card (CompactFlash[®], Memory Stick[®], Memory Stick Pro[™], SecureDigital[™] MultiMediaCard[™] or xD-Picture Card[™]) with DPOF information is put into your machine, you can print the chosen image easily.

- 1 Make sure you have put the media card into the correct slot.
Press  (**PhotoCapture**). The machine will ask you if you want to use DPOF setting.
- 2 Press **+** to choose *Yes*.
- 3 Do one of the following:
 - Change the print settings. (See page 42.)
 - If you do not want to change any settings, press **Colour Start** to print.

PhotoCapture Center™ print settings

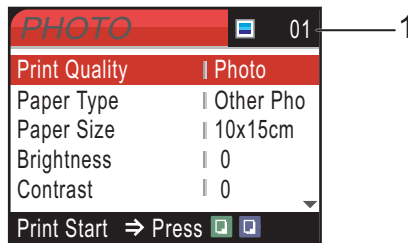
You can change the print settings temporarily for the next print.

The machine returns to its default settings after 180 seconds.



Note

You can save the print settings you use most often by setting them as default. (See *Setting your changes as a new default* on page 45.)



1 No of prints

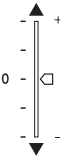
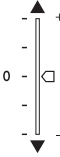
(For View Photo(s))

You can see the total number of photos that will be printed.

(For Print All Photos, Print Photos)

You can see the number of copies of each photo that will be printed.

Menu Selections	Option 1	Option 2	Page
Print Quality	Normal/Photo		43
Paper Type	Plain Paper/Inkjet Paper/ Brother Photo/Other Photo		43
Paper Size	Letter/A4/10x15cm/13x18cm	(When A4 or Letter is selected) 10x8cm 13x9cm 15x10cm 18x13cm 20x15cm Max. Size	43
Brightness			44

Menu Selections	Option 1	Option 2	Page
Contrast			44
Color Enhance	On/Off White Balance/Sharpness/ Color Density/Exit		44
Cropping	On/Off		45
Borderless	On/Off		45
Set New Default	Yes/No		45
Factory Reset	Yes/No		45

Print Quality

- 1 Press ▲ or ▼ to choose Print Quality.
Press **OK**.
- 2 Press ▲ or ▼ to choose Normal or Photo.
Press **OK**.
- 3 If you do not want to change additional settings, press **Colour Start** to print.

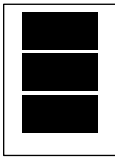
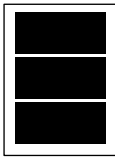
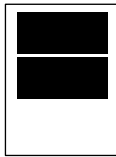
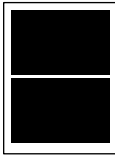


Paper options

Paper Type

- 1 Press ▲ or ▼ to choose Paper Type.
Press **OK**.
- 2 Press ▲ or ▼ to choose the type of paper you are using, Plain Paper, Inkjet Paper, Brother Photo or Other Photo.
Press **OK**.
- 3 If you do not want to change additional settings, press **Colour Start** to print.

Paper and print size

- 1 Press ▲ or ▼ to choose Paper Size.
Press **OK**.
- 2 Press ▲ or ▼ to choose the size of paper you are using, Letter, 10×15cm, 13×18cm or A4.
Press **OK**.
- 3 If you chose Letter or A4, press ▲ or ▼ to choose the print size.
Press **OK**.

Example: Printed Position for A4 paper		
1 10×8cm	2 13×9cm	3 15×10cm
		
4 18×13cm	5 20×15cm	6 Max. Size
		

- 4 If you do not want to change additional settings, press **Colour Start** to print.

Adjusting Brightness, Contrast and Colour

Brightness

- 1 Press ▲ or ▼ to choose *Brightness*. Press **OK**.
- 2 Press ▲ or ▼ to make a lighter or darker print. Press **OK**.
- 3 If you do not want to change additional settings, press **Colour Start** to print.

Contrast

You can choose the contrast setting. More contrast will make an image look sharper and more vivid.

- 1 Press ▲ or ▼ to choose *Contrast*. Press **OK**.
- 2 Press ▲ or ▼ to increase or decrease the contrast. Press **OK**.
- 3 If you do not want to change additional settings, press **Colour Start** to print.

Colour Enhancement

You can turn on the colour enhancement feature to print more vivid images. Printing time will be slower.

- 1 Press ▲ or ▼ to choose *Color Enhance*. Press **OK**.
- 2 Do one of the following:
 - If you want to customize the *White Balance*, *Sharpness* or *Colour Density*, press ◀ or ▶ to choose *On* and then go to step 3.

- If you do not want to customize, press ◀ or ▶ to choose *Off*. Press **OK** and then go to step 6.

- 3 Press ▲ or ▼ to choose *White Balance*, *Sharpness* or *Color Density*. Press **OK**.
- 4 Press ▲ or ▼ to adjust the degree of the setting. Press **OK**.
- 5 Do one of the following:
 - If you want to customize other colour enhancement, press ▲ or ▼ to choose other option.
 - If you want to change other settings, press ▲ or ▼ to choose *Exit*, and then press **OK**.
- 6 If you do not want to change additional settings, **Colour Start** to print.



Note

• **White Balance**

This setting adjusts the hue of the white areas of an image. Lighting, camera settings and other influences will effect the appearance of white. The white areas of a picture may be slightly pink, yellow or some other colour. By using this setting, you can correct that effect and bring the white areas back to pure white.

• **Sharpness**

This setting enhances the detail of an image, similar to adjusting the fine focus on a camera. If the image is not in true focus and you cannot see the fine details of the picture, then adjust the sharpness.

• **Colour Density**

This setting adjusts the total amount of colour in the image. You can increase or decrease the amount of colour in an image to improve a washed out or weak picture.

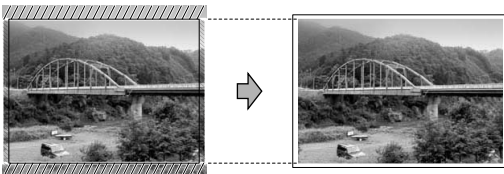
Cropping

If your photo is too long or wide to fit the available space on your chosen layout, part of the image will automatically be cropped.

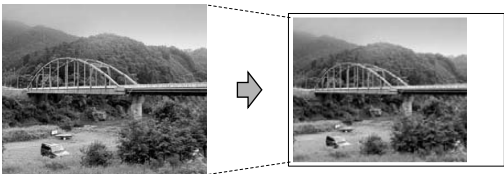
The factory setting is *On*. If you want to print the whole image, turn this setting to *Off*.

- 1 Press ▲ or ▼ to choose *Cropping*. Press **OK**.
- 2 Press ▲ or ▼ to choose *Off* (or *On*). Press **OK**.
- 3 If you do not want to change additional settings, press **Colour Start** to print.

Cropping: *On*



Cropping: *Off*



Borderless printing

This feature expands the printable area to the edges of the paper. Printing time will be slightly slower.

- 1 Press ▲ or ▼ to choose *Borderless*. Press **OK**.
- 2 Press ▲ or ▼ to choose *Off* (or *On*). Press **OK**.
- 3 If you do not want to change additional settings, press **Colour Start** to print.

Setting your changes as a new default

You can save the print settings you use most often by setting them as the default settings. These settings will stay until you change them again.

- 1 Press ▲ or ▼ to choose your new setting. Press **OK**. Repeat this step for each setting you want to change.
- 2 After changing the last setting, press ▲ or ▼ to choose *Set New Default*. Press **OK**.
- 3 Press **+** to choose *Yes*.
- 4 Press **Stop/Exit**.

Restoring all settings to the factory settings

You can restore all the settings you have changed to the factory settings. These settings will stay until you change them again.

- 1 Press ▲ or ▼ to choose *Factory Reset*. Press **OK**.
- 2 Press **+** to choose *Yes*.
- 3 Press **Stop/Exit**.

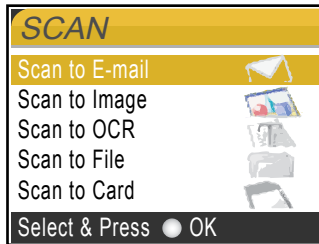
Scan to Card

Entering Scan mode

When you want to scan to card, press



The LCD shows:



Press ▲ or ▼ to choose *Scan to Card*.
press **OK**.

If you are not connected to your computer only the *Scan to Card* selection will appear on the LCD.

(See *Software User's Guide* for details about the other menu options.)

How to scan to card

You can scan monochrome and colour documents into a memory card. Monochrome documents will be stored in PDF (*.PDF) or TIFF file formats (*.TIF). Colour documents may be stored in PDF (*.PDF) or JPEG (*.JPG) file formats. The factory setting is 150 dpi Color and the default file format is PDF. For monochrome documents, the factory setting is 200x100dpi B/W and the default format is TIFF.


The machine automatically creates file names based on the current date. (For details, see the Quick Setup Guide.) For example, the fifth image scanned on July 1, 2006 would be named 01070605.PDF. You can change the colour and quality.

Quality	Selectable File Format
150dpi Color	JPEG / PDF
300dpi Color	JPEG / PDF
600dpi Color	JPEG / PDF
200x100dpi B/W	TIFF / PDF
200dpi B/W	TIFF / PDF

- 1 Insert a CompactFlash®, Memory Stick®, Memory Stick Pro™, SecureDigital™, MultiMediaCard™ or xD-Picture Card™ into your machine.

WARNING

Do not take out the media card while **PhotoCapture** is blinking to avoid damaging the card or data stored on the card.

- 2 Load your document.
- 3 Press  (**Scan**).
- 4 Press ▲ or ▼ to select *Scan to Card*, choose one of the options below:
 - To change the quality press **OK** and go to step 5.
 - To start scanning press **Mono Start** or **Colour Start**.
- 5 Press ▲ or ▼ to select the quality, choose one of the options below:
 - To change the file type press **OK** and go to step 6.
 - To start scanning press **Mono Start** or **Colour Start**.
- 6 Press ▲ or ▼ to select the file type. Press **Mono Start** or **Colour Start**.

Understanding the Error Messages

Once you are familiar with the types of errors that can occur while you are using the PhotoCapture Center™, you can easily identify and troubleshoot any problems.

■ Media Error

This message will appear if you put in a media card that is either bad or not formatted, or when there is a problem with the media drive. To clear this error, take out the media card.

■ No File

This message will appear if you try to access a media card in the drive (slot) that does not contain a .JPG file.

■ Out of Memory

This message will appear if you are working with images that are too large for the machine's memory.

Printing photos from a camera with PictBridge



Your Brother machine supports the PictBridge standard, allowing you to connect to and print photos directly from any PictBridge compatible digital camera.

Before Using PictBridge

PictBridge requirements

To avoid errors, remember the following points:

- The machine and the digital camera must be connected using a suitable USB cable.
- The image file extension must be .JPG (Other image file extensions like .JPEG, .TIF, .GIF and so on will not be recognized).
- PhotoCapture Center operations are not available when using the PictBridge feature.

Using PictBridge

Setting your digital camera

Make sure your camera is in PictBridge mode. Some of the settings listed below may not be available for your PictBridge compatible digital camera.

Camera Menu Selections	Options
Paper Size	Letter, A4, 10x15cm, Printer Settings (Default setting) ²
Paper Type	Plain Paper, Glossy Paper, Inkjet Paper, Printer Settings (Default setting) ²
Layout	Borderless: On, Borderless: Off, Printer Settings (Default setting) ²
DPOF setting ¹	-
Print Quality	Normal, Fine, Printer Settings (Default setting) ²
Color Enhancement	On, Off, Printer Settings (Default setting) ²

¹ See *DPOF printing* for more details.

² If your camera is set to use the Printer Settings (Default setting), the machine will print your photo using the settings below.

Settings	Options
Paper Size	10x15cm
Paper Type	Glossy Paper
Layout	Borderless: On
Print Quality	Fine
Color Enhancement	Off

Please refer to the documentation supplied with your camera for more detailed information on changing PictBridge settings.

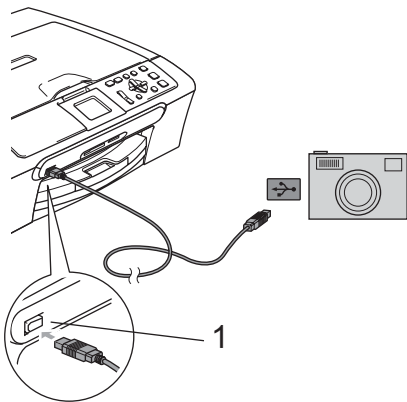
Printing Images



Note

Remove any memory cards from the machine before connecting the digital camera.

- 1 Make sure that your camera is turned off. Connect your camera to the PictBridge port (1) on the machine using the USB cable.



1 PictBridge port

- 2 Turn on the camera. When the machine has recognized the camera, the LCD shows `Camera Connected`. When the machine starts printing a photo, the LCD will show `Printing`.



WARNING

To prevent damage to your machine, do not connect any device other than a PictBridge compatible camera to the PictBridge port.

DPOF printing

DPOF stands for Digital Print Order Format.

Major digital camera manufacturers (Canon Inc., Eastman Kodak Company, Fuji Photo Film Co. Ltd., Matsushita Electric Industrial Co. Ltd. and Sony Corporation) created this standard to make it easier to print images from a digital camera.

If your digital camera supports DPOF printing, you will be able to choose on the digital camera display the images and number of copies you want to print.

Understanding the Error Messages

Once you are familiar with the types of errors that can occur while you are using PictBridge, you can easily identify and troubleshoot any problems.

■ Out of Memory

This message will appear if you are working with images that are too large for the machine's memory.

■ Wrong USB device

This message will appear if you connect a non-PictBridge compatible or broken device to the PictBridge port. To clear the error, unplug the device from the PictBridge port, then press **On/Off** to turn the machine off and then on again.

For more detailed solutions see *Error messages* on page 66.



Software

Software and Network features

52

7

Software and Network features

The CD-ROM includes the Software User's Guide and Network User's Guide (DCP-540CN and DCP-750CW only) for features available when connected to a computer (for example, printing and scanning). The guide has easy to use links that, when clicked, will take you directly to a particular section.

You can find information on these features:

- Printing
- Scanning
- ControlCenter3 (for Windows®)
- ControlCenter2 (for Macintosh®)
- Network Scanning (DCP-540CN and DCP-750CW only)
- PhotoCapture Center™
- Network Printing (DCP-540CN and DCP-750CW only)
- Wireless Network Users (DCP-750CW only)

How to read the HTML User's Guide

This is a quick reference to use the HTML User's Guide.

(For Windows®)

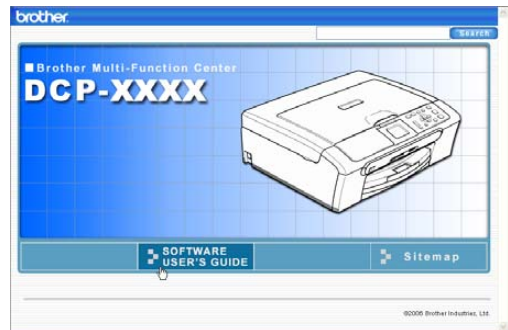


Note

If you have not installed the software, see *Viewing Documentation* on page 3.

- 1 From the **Start menu**, point to **Brother**, **DCP-XXXX** (where **XXXX** is your model number) from the programs group, then click **User's Guide**.

- 2 Click **Software User's Guide** or **Network User's Guide** (DCP-540CN and DCP-750CW only) from the top menu.



- 3 Click the heading you would like to read from the list at the left of the window.



(For Macintosh®)

- 1 Make sure your Macintosh® is turned on. Insert the Brother CD-ROM into your CD-ROM drive.
- 2 Double-click the **Documentation** icon.
- 3 Double-click your language folder, and then double-click the top page file.
- 4 Click **Software User's Guide** or **Network User's Guide** (DCP-540CN and DCP-750CW only) in the top menu, and then click the heading you would like to read from the list at the left of the window.



Appendixes

Safety and Legal	54
Troubleshooting and Routine Maintenance	62
Menu and Features	79
Specifications	90
Glossary	101

A

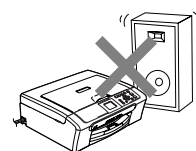
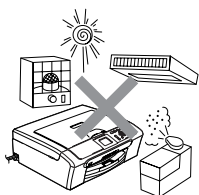
Safety and Legal

Choosing a location

Put your machine on a flat, stable surface that is free of vibration and shocks, such as a desk. Put the machine near a standard, grounded electrical socket. Choose a location where the temperature remains between 10° and 35° C (50° F and 95° F).

! CAUTION

- Avoid placing your machine in a high-traffic area.
- Avoid placing your machine on carpet.
- DO NOT put the machine near heaters, air conditioners, refrigerators, medical equipment, chemicals or water.
- DO NOT expose the machine to direct sunlight, excessive heat, moisture, or dust.
- DO NOT connect your machine to electrical sockets controlled by wall switches or automatic timers.
- Disruption of power can wipe out information in the machine's memory.
- Do not connect your machine to electrical sockets on the same circuit as large appliances or other equipment that might disrupt the power supply.
- Avoid interference sources, such as speakers or the base units of cordless phones.



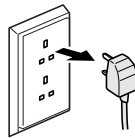
To use the machine safely

Please keep these instructions for later reference and read them before attempting any maintenance.

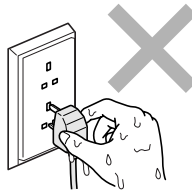
WARNING



There are high voltage electrodes inside the machine. Before you clean the inside of the machine, make sure you have unplugged the power cord from the electrical socket. Doing this will prevent an electrical shock.



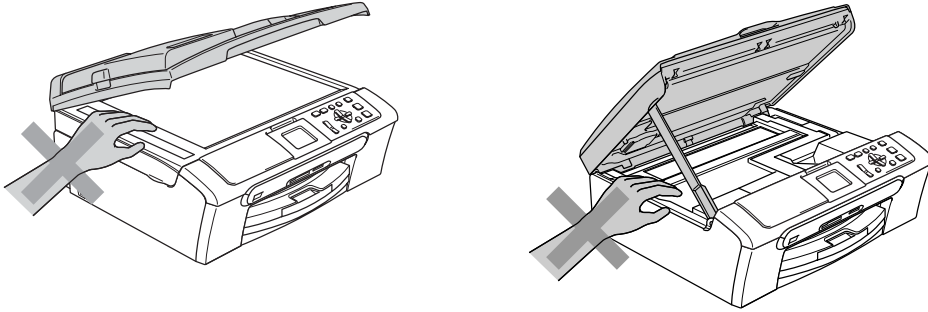
DO NOT handle the plug with wet hands. Doing this might cause an electrical shock.



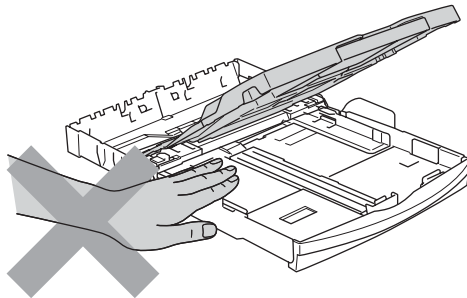
DO NOT pull in the middle of the power cord. Doing this might cause an electrical shock.



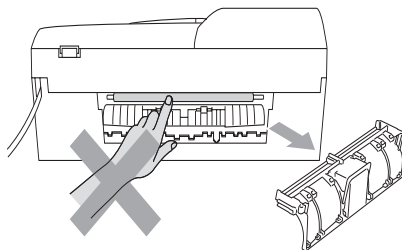
DO NOT put your hands on the edge of the machine under the document cover or the scanner cover. Doing this may cause injury.



DO NOT put your hands on the edge of the paper tray under the output paper tray cover. Doing this may cause injury.

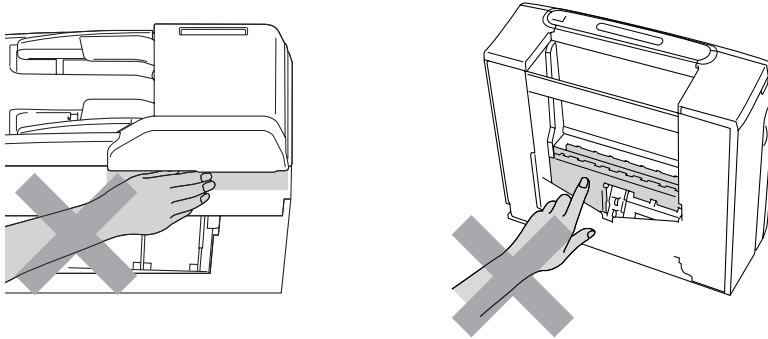


DO NOT touch the paper feed roller. Doing this may cause injury.

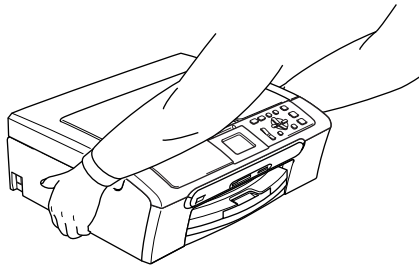




DO NOT touch the area shaded in the illustration. Doing this may cause injury.



When moving the machine you must lift it from the base, by placing a hand at each side of the unit as shown in the illustration. Do not carry the machine by holding the scanner cover.



If the machine becomes hot, releases smoke, or generates any strong smells, immediately turn off the power switch and unplug the machine from the electrical socket. Call your Brother dealer or Brother Customer Service.

If metal objects, water or other liquids get inside the machine, immediately turn off the power switch and unplug the machine from the electrical socket. Call your Brother dealer or Brother Customer Service.



WARNING

- This product must be installed near an electrical socket that is easily accessible. In case of an emergency, you must unplug the power cord from the electrical socket to shut off the power completely.
- Always make sure the plug is fully inserted.

Important safety instructions

- 1 Read all of these instructions.
- 2 Save them for later reference.
- 3 Follow all warnings and instructions marked on the product.
- 4 Unplug this product from the wall socket before cleaning the inside of the machine. Do not use liquid or aerosol cleaners. Use a damp cloth for cleaning.
- 5 Do not use this product near water.
- 6 Do not place this product on an unstable cart, stand, or table. The product may fall, causing serious damage to the product.
- 7 Slots and openings in the cabinet and the back or bottom are provided for ventilation. To ensure reliable operation of the product and to protect it from overheating, these openings must not be blocked or covered. The openings should never be blocked by placing the product on a bed, sofa, rug, or other similar surface. This product should never be placed near or over a radiator or heater. This product should never be placed in a built-in installation unless adequate ventilation is provided.
- 8 This product should be operated from the type of power source indicated on the label. If you are not sure of the type of power available, call your dealer or local power company.
- 9 Use only the power cord supplied with this machine.
- 10 This product is equipped with a 3-wire grounded plug, a plug having a third (grounded) pin. This plug will only fit into a grounded power outlet. This is a safety feature. If you are unable to insert the plug into the outlet, call your electrician to replace your obsolete outlet. Do not defeat the purpose of the grounded plug.
- 11 Do not allow anything to rest on the power cord. Do not place this product where people can walk on the cord.
- 12 Do not place anything in front of the machine that will block printing. Do not place anything in the path of printing.
- 13 Wait until pages have exited the machine before picking them up.
- 14 Unplug this product from the electrical socket and refer all servicing to Brother Authorized Service Personnel under the following conditions:
 - When the power cord is damaged or frayed.
 - If liquid has been spilled into the product.
 - If the product has been exposed to rain or water.
 - If the product does not operate normally when the operating instructions are followed, adjust only those controls that are covered by the operating instructions. Incorrect adjustment of other controls may result in damage and will often require extensive work by a qualified technician to restore the product to normal operation.
 - If the product has been dropped or the casing has been damaged.
 - If the product exhibits a distinct change in performance, indicating a need for service.

15 To protect your product against power surges, we recommend the use of a power protection device (Surge Protector).

16 To reduce the risk of fire, electric shock and injury to people, note the following:

- Do not use this product near appliances that use water, a swimming pool, or in a wet basement.
- Do not use the machine during an electrical storm (there is the remote possibility of an electrical shock) or to report a gas leak in the vicinity of the leak.

IMPORTANT - For your safety

To ensure safe operation, the supplied three-pin plug must be inserted only into a standard three-pin electrical socket that is effectively grounded through the normal household wiring.

The fact that the equipment operates satisfactorily does not imply that the power is grounded and that the installation is completely safe. For your safety, if in any doubt about the effective grounding of the power, consult a qualified electrician.

Wiring information (for U.K. only)

Important

If you need to replace the plug fuse, fit a fuse that is approved by ASTA to BS1362 with the same rating as the original fuse.

Always replace the fuse cover. Never use a plug that does not have a cover.

Warning - This machine must be earthed.

The wires in the mains lead are coloured in line with the following code:

- **Green and Yellow: Earth**
- **Blue: Neutral**
- **Brown: Live**

If in any doubt, call a qualified electrician.

LAN connection (DCP-540CN and DCP-750CW only)

CAUTION

DO NOT connect this product to a LAN connection that is subject to over-voltages.

EU Directive 2002/96/EC and EN50419



European Union Only

This equipment is marked with the above recycling symbol. It means that at the end of the life of the equipment you must dispose of it separately at an appropriate collection point and not place it in the normal domestic unsorted waste stream. This will benefit the environment for all. (European Union only)

Legal limitations for copying

It is an offence to make reproductions of certain items or documents with the intent to commit fraud. This memorandum is intended to be a guide rather than a complete list. We suggest you check with relevant legal authorities if in doubt about a particular item or document.

The following are examples of documents which may not be copied:

- Money
- Bonds or other certificates of indebtedness
- Certificates of Deposit
- Armed Forces Service or Draft papers.
- Passports
- Postage Stamps (cancelled or uncanceled)
- Immigration Papers
- Welfare documents
- Cheques or Drafts drawn by Governmental Agencies
- Identification Documents, badges or insignias
- Licences and Certificates of Title to motor vehicles

Copyrighted works cannot be copied. Sections of a copyrighted work can be copied for 'fair dealing'. Multiple copies would indicate improper use.

Works of art should be considered the equivalent of copyrighted works.

Licenses and Certificates of Title to motor vehicles may not be copied under certain state/provincial laws.

Trademarks

The Brother logo is a registered trademark of Brother Industries, Ltd.

Brother is a registered trademark of Brother Industries, Ltd.

Multi-Function Link is a registered trademark of Brother International Corporation.

© 2006 Brother Industries, Ltd. All rights reserved.

Windows and Microsoft are registered trademarks of Microsoft in the U.S. and other countries.

Macintosh and TrueType are registered trademarks of Apple Computer, Inc.

PaperPort is a registered trademarks of ScanSoft, Inc.

Presto! PageManager is a registered trademark of NewSoft Technology Corporation.

Microdrive is a trademark of International Business Machine Corporation.

CompactFlash is a registered trademark of SanDisk Corporation.

Memory Stick is a registered trademark of Sony Corporation.

SecureDigital is a trademark of Matsushita Electric Industrial Co. Ltd., SanDisk Corporation and Toshiba Corporation.

SanDisk is a licensee of the SD and miniSD trademarks.

MultiMediaCard is a trademark of Infineon Technologies and licensed to the MultiMediaCard Association.

xD-Picture Card is a trademark of Fujifilm Co. Ltd., Toshiba Corporation and Olympus Optical Co. Ltd.

PictBridge is a trademark.

Memory Stick Pro, Memory Stick Pro Duo, Memory Stick Duo and MagicGate are trademarks of Sony Corporation.

BROADCOM, SecureEasySetup and the SecureEasySetup logo are trademarks or registered trademarks of Broadcom Corporation in the United States and/or other countries.

Each company whose software title is mentioned in this manual has a Software License Agreement specific to its proprietary programs.

All other brand and product names mentioned in this User's Guide, the Software User's Guide and the Network User's Guide are registered trademarks of their respective companies.

B

Troubleshooting and Routine Maintenance

Troubleshooting

If you think there is a problem with your machine, check the chart below and follow the troubleshooting tips.

Most problems can be easily resolved by yourself. If you need additional help, the Brother Solutions Center offers the latest FAQs and troubleshooting tips. Visit us at <http://solutions.brother.com>.

If you are having difficulty with your machine

Printing

Difficulty	Suggestions
No printout	Check the interface cable or wireless connection (DCP-750CW only) on both the machine and your computer. (See the <i>Quick Setup Guide</i> .)
	Make sure the machine is plugged in and not turned off.
	One or more ink cartridges are empty. (See <i>Replacing the ink cartridges</i> on page 70.)
	Check to see if the LCD is showing an error message. (See <i>Error messages</i> on page 66.)
	Check that the correct printer driver has been installed and chosen.
	Make sure that the machine is online. Click Start and then Printers and Faxes . Right-click and choose Brother DCP-XXXX (where XXXX is your model name), and make sure that Use Printer Offline is unchecked.
Poor print quality	Check the print quality. (See <i>Checking the print quality</i> on page 75.)
	Make sure that the Media Type setting in the printer driver or the Paper Type setting in the machine's menu matches the type of paper you are using. (See <i>Printing for Windows®</i> or <i>Printing and Faxing for Macintosh®</i> in the Software User's Guide on the CD-ROM.)
	Make sure that your ink cartridges are fresh. The following may cause ink to clog: <ul style="list-style-type: none"> ■ The expiration date written on the cartridge package has passed. (Cartridges stay usable for up to two years if kept in their original packaging.) ■ The ink cartridge was in your machine over six months. ■ The ink cartridge may not have been stored properly before use.
	Try using the recommended types of paper. (See <i>Acceptable paper and other media</i> on page 12.)
	The recommended environment for your machine is between 20° C to 33° C (68° F to 91° F).
White horizontal lines appear in text or graphics.	Clean the print head. (See <i>Cleaning the print head</i> on page 75.)
	Try using the recommended types of paper. (See <i>Acceptable paper and other media</i> on page 12.)
	If you want to print on Photo L or 10 × 15 cm paper, make sure you use the photo paper tray. (See <i>Loading photo paper</i> on page 20.)
The machine prints blank pages.	Clean the print head. (See <i>Cleaning the print head</i> on page 75.)

Printing (Continued)

Difficulty	Suggestions
Characters and lines are stacked.	Check the printing alignment. (See <i>Checking the printing alignment</i> on page 76.)
Printed text or images are skewed.	Make sure the paper is loaded properly in the paper tray and the paper side guide is adjusted correctly. (See <i>Loading paper and other media</i> on page 16.)
	Make sure the Jam Clear Cover is set properly.
Smudged stain at the top center of the printed page.	Make sure the paper is not too thick or curled. (See <i>Acceptable paper and other media</i> on page 12.)
Printing appears dirty or ink seems to run.	Make sure you are using the recommended types of paper. (See <i>Acceptable paper and other media</i> on page 12.) Don't handle the paper until the ink is dry.
Stains appear on the reverse side or at the bottom of the page.	Make sure the printer platen is not dirty with ink. (See <i>Cleaning the machine printer platen</i> on page 74.)
	Make sure you are using the paper support flap. (See <i>Loading paper and other media</i> on page 16.)
The machine prints dense lines on the page.	Check Reverse Order in the Basic tab of the printer driver.
The printouts are wrinkled.	In the printer driver Basic tab, click Settings , and uncheck Bi-Directional Printing .
Cannot perform '2 in 1 or 4 in 1' printing.	Check that the paper size setting in the application and in the printer driver are the same.
Print speed is too slow.	Try changing the printer driver setting. The highest resolution needs longer data processing, sending and printing time. Try the other quality settings in the printer driver Basic tab. Also, click the Settings , and make sure you uncheck Colour Enhancement .
	Set the borderless feature off. Borderless printing is slower than normal printing. (See <i>Printing for Windows®</i> or <i>Printing and Faxing for Macintosh®</i> in the Software User's Guide on the CD-ROM.)
Colour Enhancement is not working properly.	If the image data is not full colour in your application (such as 256 colour), Colour Enhancement will not work. Use at least 24 bit colour data with the Colour Enhancement feature.
Machine feeds multiple pages.	Make sure the paper is loaded properly in the paper tray. (See <i>Loading paper and other media</i> on page 16.)
	Check that more than two types of paper are not loaded in the paper tray at any one time.
Printed pages are not stacked neatly.	Make sure you are using the paper support flap. (See <i>Loading paper and other media</i> on page 16.)
Printed pages double-feed and cause a paper jam.	Make sure you pull out the paper support until it clicks.
Machine does not print from Paint Brush.	Try setting the Display setting to '256 colours.'
Machine does not print from Adobe Illustrator.	Try to reduce the print resolution. (See <i>Printing for Windows®</i> or <i>Printing and Faxing for Macintosh®</i> in the Software User's Guide on the CD-ROM.)

Copying Difficulties

Difficulty	Suggestions
Vertical streaks appear on copies.	If you see vertical streaks on copies, clean the scanner. (See <i>Cleaning the scanner</i> on page 73.)
Poor copy results when using the ADF. (DCP-540CN only)	Try using the scanner glass. (See <i>Using the scanner glass</i> on page 10.)

Scanning Difficulties

Difficulty	Suggestions
TWAIN/WIA errors appear while scanning.	Make sure the Brother TWAIN/WIA driver is chosen as the primary source. In PaperPort® SE with OCR, click File, Scan and choose the Brother TWAIN/WIA driver.
Poor scanning results when using the ADF.	Try using the scanner glass. (See <i>Using the scanner glass</i> on page 10.)

Software Difficulties

Difficulty	Suggestions
Cannot install software or print.	Run the Repair MFL-Pro Suite program on the CD-ROM. This program will repair and reinstall the software.
'Device Busy'	Make sure the machine is not showing an error message on the LCD.

PhotoCapture Center™ Difficulties

Difficulty	Suggestions
Removable Disk does not work properly.	<ol style="list-style-type: none"> 1 Have you installed the Windows® 2000 update? If not, do the following: <ol style="list-style-type: none"> 1) Unplug the USB cable. 2) Install the Windows® 2000 update, and see the Quick Setup Guide. After the installation the PC will be automatically restarted. 3) Wait about 1 minute after you restart the PC, and then connect the USB cable. 2 Take out the memory card and put it back in again. 3 If you have tried 'Eject' from within Windows®, take out the media card before you continue. 4 If an error message appears when you try to eject the media card, it means the card is being accessed. Wait a while and then try again. 5 If all of the above do not work, turn off your PC and machine, and then turn them on again. (You will have to unplug the power cord of the machine to turn it off.)
Cannot access Removable Disk from Desktop icon.	Make sure you have put the media card into the media slot.

Network Difficulties

Difficulty	Suggestions
<p>Cannot print over the Network.</p>	<p>Make sure that your machine is powered on and is online and in Ready mode. Print a Network Configuration list (see <i>Printing Reports</i> on page 9.) and check the current Network settings printed in this list. Reconnect the LAN cable to the hub to verify that the cabling and network connections are good. If possible, try connecting the machine to a different port on your hub using a different cable. If the connections are good, the machine shows LAN Active for 2 seconds.</p> <p>(If you are using a wireless connection (DCP-750CW only) or are having Network problems, see the Network User's Guide on the CD-ROM for more information.)</p>
<p>The network scanning feature does not work.</p>	<p>(For Windows® users only) The firewall setting on your PC may be rejecting the necessary network connection. Follow the instructions below to configure the Firewall. If you are using a personal Firewall software, see the User's Guide for your software or contact the software manufacturer.</p> <p><Windows® XP SP2 users></p> <ol style="list-style-type: none"> 1 Click the Start button, Settings, Control Panel and then Windows Firewall. Make sure that Windows Firewall on the Basic tab is set to On. 2 Click the Exceptions tab and Add port button. 3 Enter any name, port number (54295 for network scanning), choose UDP and click OK. 4 Make sure if the new setting is added and is checked, and then click OK. <p>For Windows® XP SP1 user's, please visit the Brother Solutions Center.</p>
<p>Your computer cannot find your machine.</p>	<p><Windows® users></p> <p>The firewall setting on you PC may be rejecting the necessary network connection. For detail, see the instruction above.</p> <p><Macintosh® users></p> <p>Re-select your machine in the DeviceSelector application located in Macintosh HD/Library/Printers/Brother/Utilities or from the model of ControlCenter2.</p>

Error messages

As with any sophisticated office product, errors may occur. If this happens, your machine identifies the error and shows an error message. The most common error messages are shown below.

You can correct most errors by yourself. If you need more help, the Brother Solutions Center offers the latest FAQs and troubleshooting tips.

Visit us at <http://solutions.brother.com>.

Error Message	Cause	Action
Cover is Open	The scanner cover is not closed completely.	Lift the scanner cover and then close it again.
	The ink cartridge cover is not completely closed.	Firmly close the ink cartridge cover until it clicks.
Data Remaining	Print data is left in the machine's memory.	Re-start printing from your computer.
	Print data is left in the machine's memory. The USB cable was unplugged while the computer was sending the data to the machine.	Press Stop/Exit . The machine will cancel the job and clear it from the memory. Try to print again.
Document Jam	The document was not inserted or fed properly, or the document scanned from the ADF was too long.	See <i>Using the ADF (DCP-540CN only)</i> on page 10. See <i>Document jam (DCP-540CN only)</i> on page 68.
High Temperature	The print head is too warm.	Allow the machine to cool down.
Ink Empty	One or more of the ink cartridges is empty. The machine will stop all print operations.	Replace the ink cartridges. (See <i>Replacing the ink cartridges</i> on page 70.)
Low Temperature	The print head is too cold.	Allow the machine to warm up.
Media Error	The media card is either corrupted, improperly formatted, or there is a problem with the media card.	Put the card firmly into the slot again to make sure it is in the correct position. If the error remains, check the media drive by putting in another media card that you know is working.
Near Empty	One or more of the ink cartridges are running out of ink.	Order a new ink cartridge.
No Cartridge	An ink cartridge is not installed properly.	Take out the ink cartridge and put it in again seating it properly. (See <i>Replacing the ink cartridges</i> on page 70.)
No File	The media card in the media drive does not contain a .JPG file.	Put the correct media card into the slot again.

Error Message	Cause	Action
No Paper Fed	The machine is out of paper or paper is not properly loaded in the paper tray.	Do one of the following: <ul style="list-style-type: none"> ■ Refill the paper in the paper tray, and then press Mono Start or Colour Start. ■ Remove the paper and load it again and then press Mono Start or Colour Start.
	The paper is jammed in the machine.	See <i>Printer jam or paper jam</i> on page 69.
Out of Memory	The machine's memory is full.	<p>Copy operation in progress</p> <p>Press Stop/Exit and wait until the other operations in progress finish and then try again.</p> <p>Printing operation in progress</p> <p>Reduce print resolution. (For details, see <i>Printing for Windows®</i> or <i>Printing and Faxing for Macintosh®</i> in the Software User's Guide on the CD-ROM.)</p>
Paper Jam	Paper is jammed in the machine.	(See <i>Printer jam or paper jam</i> on page 69.)
Unable to Change XX Unable to Clean XX Unable to Init. XX Unable to Print XX Unable to Scan XX	The machine has a mechanical problem.	Disconnect the machine from the power for several minutes, then reconnect it.
Wrong Paper Size	Paper is not the correct size.	Load the correct size of paper (Letter, Legal or A4), and then press Mono Start or Colour Start .
Wrong USB device	A non-PictBridge compatible or broken device has been connected to the PictBridge port.	Unplug the device from the PictBridge port, then press On/Off to turn the machine off and then on again.

Changing LCD language

You can change the LCD language.

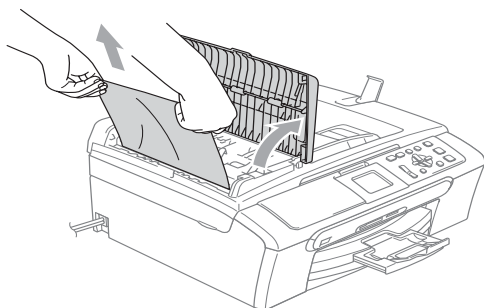
- 1 Press **Menu**
- 2 Press **▲** or **▼** to select **Initial Setup**. Press **OK**.
- 3 Press **▲** or **▼** to select **Local Language**. Press **OK**.
- 4 Press **▲** or **▼** to select your language. Press **OK**.
- 5 Press **Stop/Exit**.

Document jam (DCP-540CN only)

Documents can jam if they are not inserted or fed properly, or if they are too long. Follow the steps below to clear a document jam.

Document is jammed in the top of the ADF unit

- 1 Take out any paper from the ADF that is not jammed.
- 2 Open the ADF cover.
- 3 Pull the jammed document out to the right or left.



- 4 Close the ADF cover.
- 5 Press **Stop/Exit**.

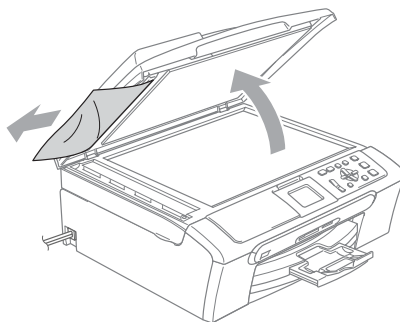


Note

To avoid future document jams close the ADF cover properly by pushing it gently in the middle.

Document is jammed inside the ADF unit

- 1 Take out any paper from the ADF that is not jammed.
- 2 Lift the document cover.
- 3 Pull the jammed document out to the left.

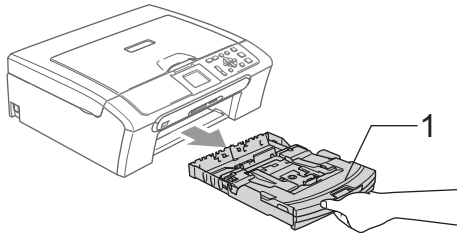


- 4 Close the document cover.
- 5 Press **Stop/Exit**.

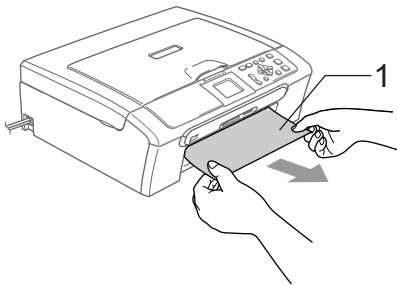
Printer jam or paper jam

Take out the jammed paper depending on where it is jammed in the machine. Open and close the scanner cover to clear the error.

- 1 Pull the paper tray (1) out of the machine.

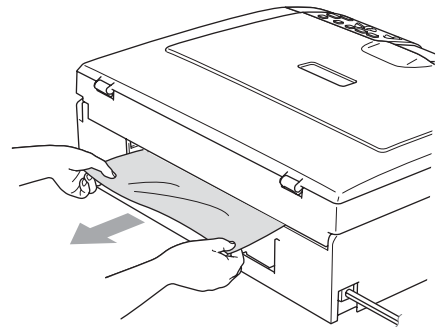
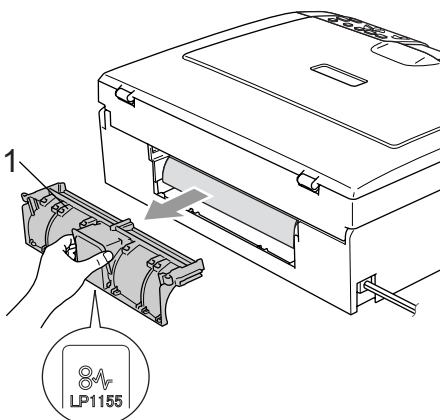


- 2 Pull out the jammed paper (1).

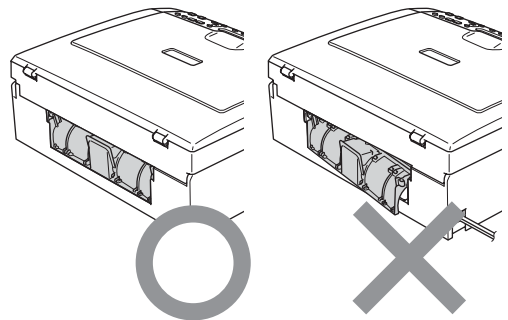


- If you cannot remove the jammed paper from the front, or the error message still appears on the LCD after you have removed the jammed paper, please go to the next step.

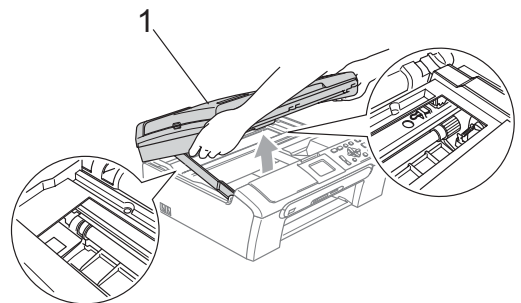
- 3 Remove the Jam Clear Cover (1). Pull the jammed paper out of the machine.



- 4 Put the Jam Clear Cover back on. Make sure the cover is set properly.



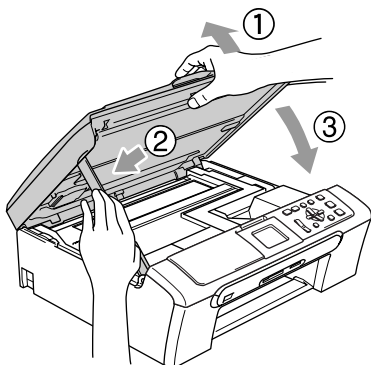
- 5 Lift the scanner cover (1) from the front side of the machine until it locks securely into the open position. Make sure that there is no jammed paper left inside the machine. Check *both* ends of the print carriage.



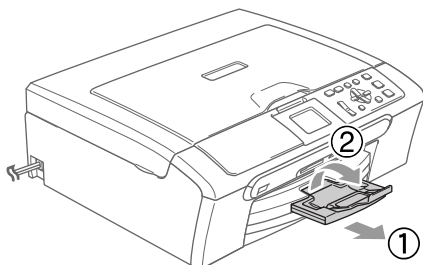
Note

If the paper is jammed under the print head, unplug the machine from the power source, then move the print head to take out the paper.

- 6 Lift the scanner cover to release the lock (1). Gently push the scanner cover support down (2) and close the scanner cover (3).



- 7 Push the paper tray firmly back into the machine. While holding the paper tray in place, pull out the paper support (1) until it clicks and unfold the paper support flap (2).



Routine maintenance

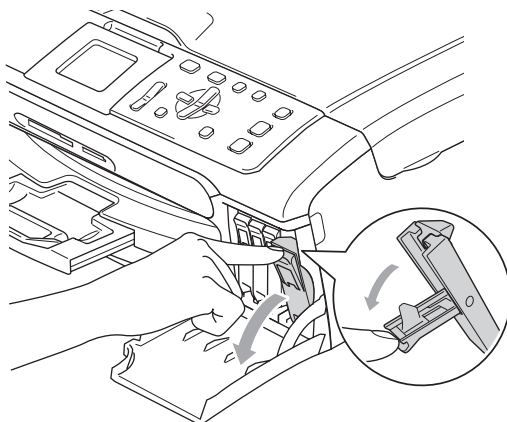
Replacing the ink cartridges

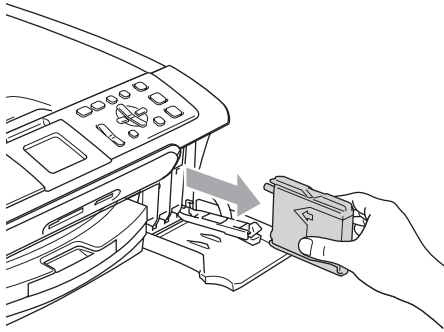
Your machine is equipped with an ink dot counter. The ink dot counter automatically monitors the level of ink in each of the 4 cartridges. When the machine detects an ink cartridge is running out of ink, the machine will tell you with a message on the LCD.

The LCD will tell you which ink cartridge is low or needs replacing. Be sure to follow the LCD prompts to replace the ink cartridges in the correct order.

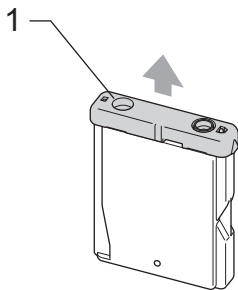
Even though the machine tells you that an ink cartridge is empty, there will be a small amount of ink left in the ink cartridge. It is necessary to keep some ink in the ink cartridge to prevent air from drying out and damaging the print head assembly.

- 1 Open the ink cartridge cover. If one or more ink cartridges are empty, for example Black, the LCD shows *Ink Empty Black*.
- 2 Pull the lock release lever down and take out the ink cartridge for the colour shown on the LCD.



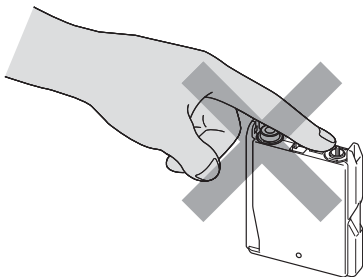


- 3 Open the new ink cartridge bag for the colour shown on the LCD, and then take out the ink cartridge.
- 4 Remove the protective yellow cap (1).



Improper Setup

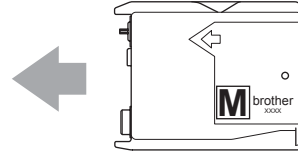
DO NOT touch the area shown in the illustration below.



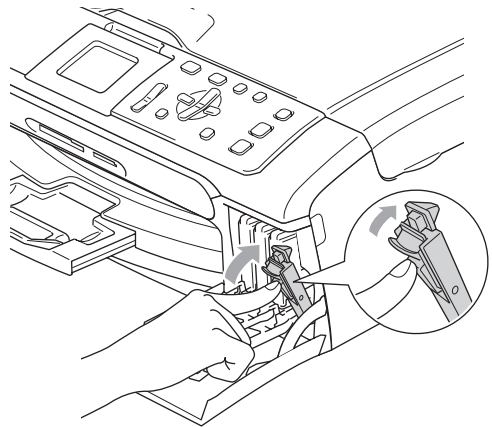
Note

If the protective yellow caps come off when you open the bag, the cartridge will not be damaged.

- 5 Each colour has its own correct position. Insert the ink cartridge in the direction of the arrow on the label.



- 6 Lift the lock release lever and push it until it clicks, and then close the ink cartridge cover.



- 7 If you replaced an ink cartridge the LCD may ask you to verify that it was a brand new one. (For example, Did you change Black) For each new cartridge you installed, press + (Yes) to automatically reset the ink dot counter for that colour. If the ink cartridge you installed is not a brand new one, be sure to press - (No). If you wait until the LCD shows Near Empty and Ink Empty, the machine will automatically reset the ink dot counter.

Note

If the LCD shows No cartridge after you install the ink cartridges, check that the ink cartridges are installed properly.

WARNING

If ink gets in your eyes, wash them out with water at once and call a doctor if you are concerned.

CAUTION

DO NOT take out ink cartridges if you do not need to replace them. If you do so, it may reduce the ink quantity and the machine will not know the quantity of ink left in the cartridge.

DO NOT touch the cartridge insertion slots. If you do so, the ink may stain your skin.

If ink stains your skin or clothing, wash with soap or detergent at once.

If you mix the colours by installing an ink cartridge in the wrong position, clean the print head several times after correcting the cartridge installation.

Once you open an ink cartridge, install it in the machine and use it up within six months of installation. Use unopened ink cartridges by the expiration date written on the cartridge package.

DO NOT dismantle or tamper with the ink cartridge, this can cause the ink to leak out of the cartridge.

Brother multifunction machines are designed to work with ink of a particular specification and will work to a level of optimum performance when used with genuine Brother Branded ink cartridges. Brother cannot guarantee this optimum performance if ink or ink cartridges of other specifications are used. Brother does not therefore recommend the use of cartridges other than genuine Brother Branded cartridges or the refilling of empty cartridges with this machine or the refilling of empty cartridges with ink from other sources. If damage is caused to the print head or other parts of this machine as a result of using incompatible products with this machine, any repairs required as a result may not be covered by the warranty.

Cleaning the outside of the machine

CAUTION

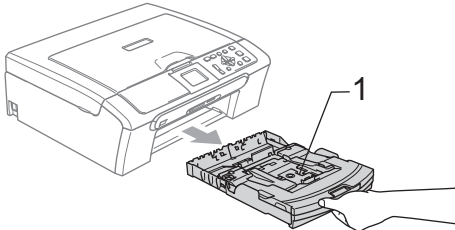
Use neutral detergents. Cleaning with volatile liquids such as thinner or benzene will damage the outside surface of the machine.

DO NOT use cleaning materials that contain ammonia.

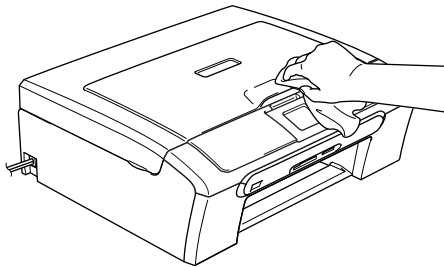
DO NOT use isopropyl alcohol to remove dirt from the control panel. It may crack the panel.

Clean the outside of the machine as follows:

- 1 Pull the paper tray (1) completely out of the machine.

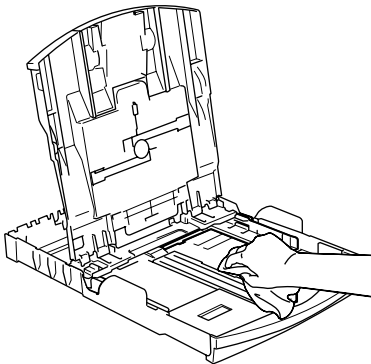


- 2 Wipe the outside of the machine with a soft cloth to remove dust.



- 3 Lift the output paper tray cover and remove anything that is stuck inside the paper tray.

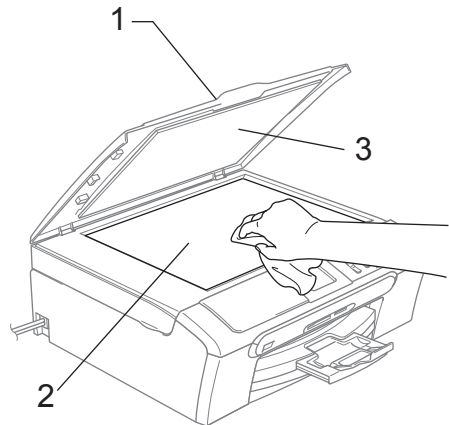
- 4 Wipe the inside and outside of the paper tray with a soft cloth to remove dust.



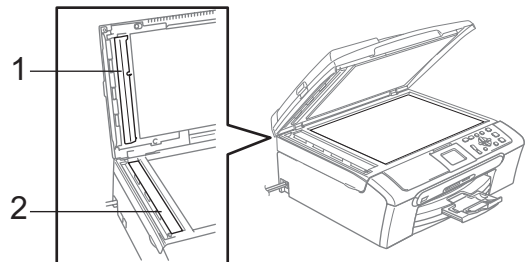
- 5 Close the output paper tray cover and put the paper tray firmly back in the machine.

Cleaning the scanner

- 1 Lift the document cover (1). Clean the scanner glass (2) and white plastic (3) with isopropyl alcohol on a soft lint-free cloth.



- 2 In the ADF unit, clean the white bar (1) and the glass strip (2) under it with isopropyl alcohol on a lint-free cloth.

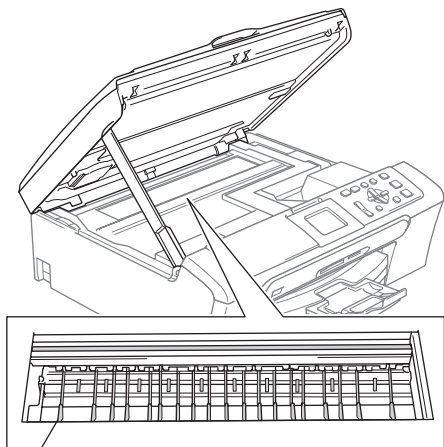


Cleaning the machine printer platen

WARNING

Unplug the machine from the AC power outlet before cleaning the printer platen (1).

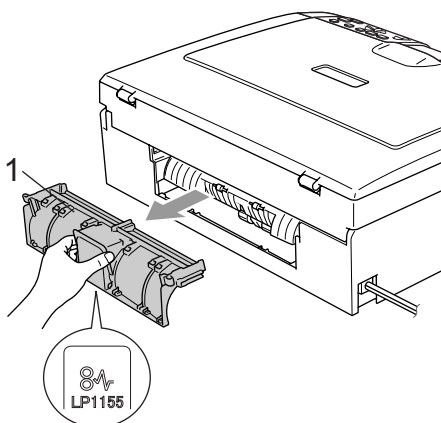
- 1 Clean the machine printer platen (1) and the area around it, wiping off any scattered ink with a soft, dry, lint-free cloth.



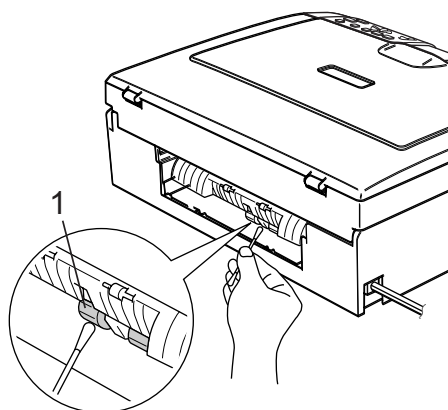
1

Cleaning the Paper Pick-up Roller

- 1 Pull the paper tray completely out of the machine.
- 2 Unplug the machine from the electrical socket and remove the Jam Clear Cover (1).



- 3 Clean the Paper Pick-up Roller (1) with isopropyl alcohol on a cotton swab.



- 4 Put the Jam Clear Cover back on. Make sure the cover is set properly.
- 5 Re-connect the power cord.
- 6 Slowly push the paper tray completely back into the machine.

Cleaning the print head

To ensure good print quality, the machine will regularly clean the print head. You can start the cleaning process manually if needed.

Clean the print head and ink cartridges if you get a horizontal line in the text or graphics on your printed pages. You can clean Black only, three colours at a time (Yellow/Cyan/Magenta), or all four colours at once.

Cleaning the print head consumes ink. Cleaning too often uses ink unnecessarily.

! CAUTION

DO NOT touch the print head. Touching the print head may cause permanent damage and may void the print head's warranty.

- 1 Press **Ink Management**.
- 2 Press ▲ or ▼ to choose **Cleaning**. Press **OK**.
- 3 Press ▲ or ▼ to choose **Black, Color** or **All**. Press **OK**.
The machine cleans the print head. When cleaning is finished, the machine will go back to standby mode automatically.



Note

If you clean the print head at least five times and the print has not improved, call your Brother dealer.

Checking the print quality

If faded or streaked colours and text appear on your output, some of the nozzles may be clogged. You can check this by printing the Print Quality Check Sheet and looking at the nozzle check pattern.

- 1 Press **Ink Management**.
- 2 Press ▲ or ▼ to choose **Test Print**. Press **OK**.
- 3 Press ▲ or ▼ to choose **Print Quality**. Press **OK**.
- 4 Press **Colour Start**.
The machine begins printing the Print Quality Check Sheet.
- 5 Check the quality of the four colour blocks on the sheet.
- 6 Do one of the following:
 - If all lines are clear and visible, press + to choose **Yes**, and go to step 10.
 - If you can see missing short lines as shown below, press - to choose **No**.

OK

Poor



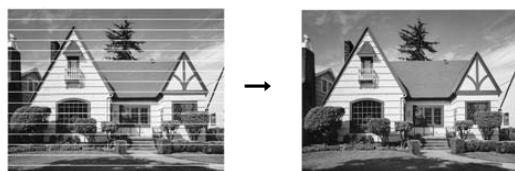
- 7 The LCD asks you if the print quality is OK for black and three colours. Press + (Yes) or - (No).
- 8 The LCD asks you if you want to start cleaning. Press + (Yes).
The machine starts cleaning the print head.
- 9 After cleaning is finished, press **Colour Start**.
The machine starts printing the Print Quality Check Sheet again and then returns to step 5.
- 10 Press **Stop/Exit**.
If you repeat this procedure at least five times and the print quality is still poor, replace the ink cartridge for the clogged colour.

After replacing the ink cartridge, check the print quality. If the problem still exists, repeat the cleaning and test print procedures at least five times for the new ink cartridge. If ink is still missing, call your Brother dealer.

! CAUTION

DO NOT touch the print head. Touching the print head may cause permanent damage and may void the print head's warranty.

Note



When a print head nozzle is clogged the printed sample looks like this.

After the print head nozzle is cleaned, the horizontal lines are gone.

Checking the printing alignment

You may need to adjust the printing alignment if after transporting the machine your printed text becomes blurred or images become faded.

- 1 Press **Ink Management**.
- 2 Press ▲ or ▼ to choose **Test Print**. Press **OK**.
- 3 Press ▲ or ▼ to choose **Alignment**. Press **OK**.
- 4 Press **Mono Start** or **Colour Start**. The machine starts printing the Alignment Check Sheet.

- 5 Check the 600 dpi and 1200 dpi test prints to see if number 5 most closely matches number 0.
 - If the number 5 sample of both the 600 dpi and 1200 dpi are the best matches, press + (Yes) to finish Alignment Check, and go to step 6.
 - If another test print number is a better match for either 600 dpi or 1200 dpi, press - (No) to choose it.
- 6 For 600 dpi, press ◀ or ▶ to select the number of the test print that most closely matches the number 0 sample (1-8). Press **OK**.
- 7 For 1200 dpi, press ◀ or ▶ to select the number of the test print that most closely matches the number 0 sample (1-8). Press **OK**.
- 8 Press **Stop/Exit**.

Checking the ink volume

You can check the ink that is left in the cartridge.

- 1 Press **Ink Management**.
- 2 Press ▲ or ▼ to select **Ink Volume**. Press **OK**. The LCD shows the ink volume.
- 3 Press **Stop/Exit**.

Note

You can check the ink volume from your computer. (See *Printing for Windows*® or *Printing and Faxing for Macintosh*® in the Software User's Guide on the CD-ROM.)

Machine Information

Checking the serial number

You can see the machine's serial number on the LCD.

- 1 Press **Menu**.
- 2 Press **▲** or **▼** to select `Machine Info..`
Press **OK**.
- 3 Press **▲** or **▼** to select `Serial No..`
Press **OK**.
- 4 Press **Stop/Exit**.

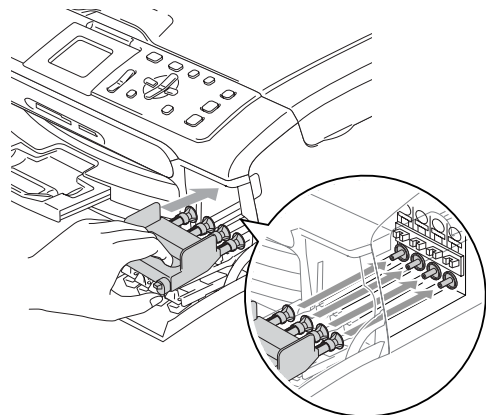
Packing and shipping the machine

When you transport the machine, use the packing materials that came with your machine. If you do not pack the machine properly, you could void your warranty.

! CAUTION

It is important to allow the machine to 'park' the print head after a print job. Listen carefully to the machine before unplugging it to make sure that all mechanical noise has stopped. Not allowing the machine to finish this parking process may lead to print problems and possible damage to the print head.

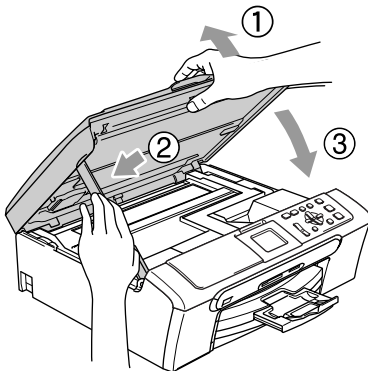
- 1 Open the ink cartridge cover.
- 2 Pull the lock release levers down and take out all ink cartridges.
(See *Replacing the ink cartridges* on page 70.)
- 3 Install the yellow protective part, lift each lock release lever and push it until it clicks, and then close the ink cartridge cover.



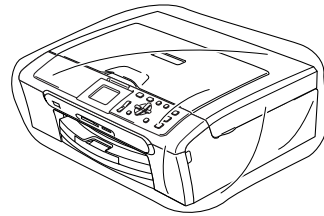
! CAUTION

If you are not able to find the yellow protective part, DO NOT remove the ink cartridges before shipping. It is essential that the machine be shipped with either the yellow protective parts or the ink cartridges in position. Shipping without them will cause damage to your machine and may void your warranty.

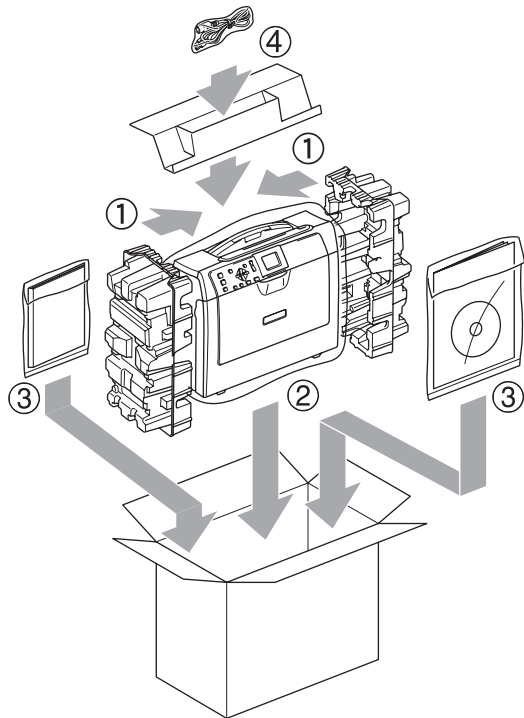
- 4 Unplug the machine from the electrical socket.
- 5 Using both hands, use the plastic tabs on both sides of the machine to lift the scanner cover until it locks securely into the open position then unplug the interface cable from the machine, if it is connected.
- 6 Lift the scanner cover to release the lock (1). Gently push the scanner cover support down (2) and close the scanner cover (3).



- 7 Wrap the machine in the bag and put it in the original carton with the original packing material.



- 8 Pack the printed materials in the original carton as shown below. Do not pack the used ink cartridges in the carton.



- 9 Close the carton and tape it shut.

C

Menu and Features

On-screen programming










Your machine is designed to be easy to use with LCD on-screen programming using the menu keys. User-friendly programming helps you take full advantage of all the menu selections your machine has to offer.

Since your programming is done on the LCD, we have created step-by-step on-screen instructions to help you program your machine. All you need to do is follow the instructions as they guide you through the menu selections and programming options.

Menu table

You can program your machine without the User's Guide by using the Menu table that begins on page 80. These pages list the menu selections and options.


Menu keys


<p>Menu</p> 	Access the main menu.
<p>Photo Capture Scan</p> 	Access its menu of temporary settings.
 	Scroll through the current menu level.
	Go back to the previous menu level.
	Go to the next menu level.
<p>OK</p> 	<ul style="list-style-type: none"> ■ Go to the next menu level. ■ Accept an option.
<p>Number of Copies</p> 	Select the number to enter.
<p>Stop / Exit</p> 	Stop the current operation.


Menu table

The menu table will help you understand the menu selections and options that are found in the machine's programs. The factory settings are shown in Bold with an asterisk.


Menu  Menu ()

Level1	Level2	Level3	Options	Descriptions	Page			
General Setup	Paper Type	—	Plain Paper* Inkjet Paper Brother Photo Other Photo Transparency	Sets the type of paper in the paper tray.	23			
			Paper Size			—	Letter Legal A4* A5 10x15cm	Sets the size of the paper in the paper tray.
	LCD Settings	LCD Contrast		Light Med* Dark	Adjusts the contrast of the LCD.		24	
			Backlight	Light* Med Dark		You can adjust the brightness of the LCD backlight.		24
				Dim Timer				
			Off Timer			Off* 1 Min 2 Mins 3 Mins 5 Mins 10 Mins 30 Mins		You can set how long the LCD stays on for after the last key press.
	 The factory settings are shown in Bold with an asterisk.							

Level1	Level2	Level3	Options	Descriptions	Page
LAN (DCP-540CN only)	TCP/IP	BOOT Method	Auto* Static RARP BOOTP DHCP	Chooses the BOOT method that best suits your needs.	See <i>Network User's Guide on the CD-ROM</i>
		IP Address	[000-255]. [000-255]. [000-255]. [000-255]	Enter the IP address.	
		Subnet Mask	[000-255]. [000-255]. [000-255]. [000-255]	Enter the Subnet mask.	
		Gateway	[000-255]. [000-255]. [000-255]. [000-255]	Enter the Gateway address.	
		Node Name	BRN_XXXXXX	You can see the current Node name.	
		WINS Config	Auto* Static	Chooses the WINS configuration mode.	
		WINS Server	(Primary) 000.000.000.000 (Secondary) 000.000.000.000	Specifies the IP address of the primary or secondary server.	
		DNS Server	(Primary) 000.000.000.000 (Secondary) 000.000.000.000	Specifies the IP address of the primary or secondary server.	
		APIPA	On* Off	Automatically allocates the IP address from the link-local address range.	
		Setup Misc.	Ethernet	Auto* 100B-FD 100B-HD 10B-FD 10B-HD	
 The factory settings are shown in Bold with an asterisk.					

Level1	Level2	Level3	Options	Descriptions	Page
LAN (DCP-540CN only) (Continued)	Factory Reset	—	Yes No	Restores all network settings to the factory default.	See <i>Network User's Guide on the CD-ROM</i>
LAN (DCP-750CW only)	TCP/IP (Wired)	BOOT Method	Auto* Static RARP BOOTP DHCP	Chooses the BOOT method that best suits your needs.	
		IP Address	[000-255]. [000-255]. [000-255]. [000-255]	Enter the IP address.	
		Subnet Mask	[000-255]. [000-255]. [000-255]. [000-255]	Enter the Subnet mask.	
		Gateway	[000-255]. [000-255]. [000-255]. [000-255]	Enter the Gateway address.	
		Node Name	BRN_XXXXXX	You can see the current Node name.	
		WINS Config	Auto* Static	Chooses the WINS configuration mode.	
		WINS Server	(Primary) 000.000.000.000 (Secondary) 000.000.000.000	Specifies the IP address of the primary or secondary server.	
		DNS Server	(Primary) 000.000.000.000 (Secondary) 000.000.000.000	Specifies the IP address of the primary or secondary server.	
		APIPA	On* Off	Automatically allocates the IP address from the link-local address range.	
 The factory settings are shown in Bold with an asterisk.					

Level1	Level2	Level3	Options	Descriptions	Page
LAN (DCP-750CW only) (Continued)	TCP/IP (WLAN) (Continued)	BOOT Method	Auto* Static RARP BOOTP DHCP	Chooses the BOOT method that best suits your needs.	See <i>Network User's Guide on the CD-ROM</i>
		IP Address	[000-255]. [000-255]. [000-255]. [000-255]	Enter the IP address.	
		Subnet Mask	[000-255]. [000-255]. [000-255]. [000-255]	Enter the Subnet mask.	
		Gateway	[000-255]. [000-255]. [000-255]. [000-255]	Enter the Gateway address.	
		Node Name	BRW_XXXXXX	You can see the current Node name.	
		WINS Config	Auto* Static	Chooses the WINS configuration mode.	
		WINS Server	(Primary) 000.000.000.000 (Secondary) 000.000.000.000	Specifies the IP address of the primary or secondary server.	
		DNS Server	(Primary) 000.000.000.000 (Secondary) 000.000.000.000	Specifies the IP address of the primary or secondary server.	
		APIPA	On* Off	Automatically allocates the IP address from the link-local address range.	
	Setup WLAN	Setup Wizard	—	You can configure your print server.	
	SecureEasySetup	—	You can configure the wireless network easily.		


 The factory settings are shown in Bold with an asterisk.

Level1	Level2	Level3	Options	Descriptions	Page
LAN (DCP-750CW only) (Continued)	WLAN Status	Status	—	You can see the current wireless network status.	See <i>Network User's Guide on the CD-ROM</i>
		Signal	—	You can see the current wireless network signal strength.	
		SSID	—	You can see the current SSID.	
		Comm. Mode	—	You can see the current Communication Mode.	
	Setup Misc.	Wired LAN	Auto* 100B-FD 100B-HD 10B-FD 10B-HD	Chooses the Ethernet link mode.	
	Network I/F	—	Wired LAN* WLAN	You can choose the network connection type.	
Factory Reset	—	Yes No	Restores all wired and wireless network settings to the factory default.		
Print Reports	Help List	—	—	You can print these lists and reports.	9
	User Settings	—	—		
	Network Config (DCP-540CN and DCP-750CW only)	—	—		
Machine Info.	Serial No.	—	—	Lets you check the serial number of your machine.	77
Initial Setup	Date/Time	—	—	Puts the date and time in your machine.	See <i>Quick Setup Guide</i>
	Local Language	—	English* French German Dutch Italian	Allows you to change the LCD language for your country.	68

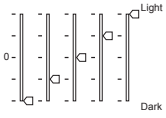



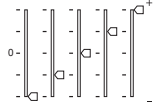
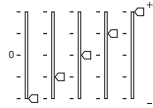
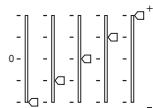
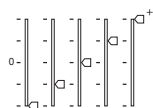

The factory settings are shown in Bold with an asterisk.

PhotoCapture ()

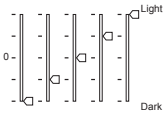
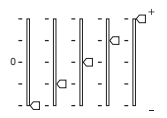

Level1	Level2	Level3	Options	Descriptions	Page
View Photo(s)	—	—	See the print settings table below.	You can preview your photos on the LCD.	39
Print Index	—	—	6 Images/Line Fast 5 Images/Line Photo	You can print a thumbnail page.	39
Print All Photos	—	—	See the print settings table below.	You can print all photos in your media card.	40
Print Photos	—	—	See the print settings table below.	You can print an individual image.	40
 The factory settings are shown in Bold with an asterisk.					

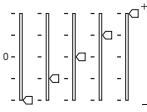
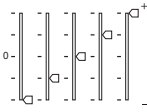
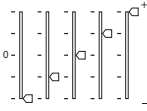

Print Settings

Option1	Option2	Option3	Option4	Descriptions	Page
Print Quality	Normal Photo*	—	—	Choose the print quality.	43
Paper Type	Plain Paper Inkjet Paper Brother Photo Other Photo*	—	—	Choose the paper type.	43
Paper Size	Letter A4 10x15cm* 13x18cm	(When A4 or Letter is selected) 10x8cm 13x9cm 15x10cm 18x13cm 20x15cm Max. Size*	—	Choose the paper and print size.	43
Brightness		—	—	Adjusts the brightness.	44
 The factory settings are shown in Bold with an asterisk.					


Option1	Option2	Option3	Option4	Descriptions	Page
Contrast		—	—	Adjusts the contrast.	44
Color Enhance	On Off*	White Balance		Adjusts the hue of the white areas.	44
		Sharpness		Enhances the detail of the image.	
		Color Density		Adjusts the total amount of colour in the image.	
Cropping	On* Off	—	—	Crops the image around the margin to fit the paper size or print size. Turn this feature off if you want to print whole images or prevent unwanted cropping.	45
Borderless	On* Off	—	—	Expands the printable area to fit the edges of the paper.	45
Set New Default	Yes No	—	—	You can save your print settings.	45
Factory Reset	Yes No	—	—	You can restore all the settings to factory settings.	45
 The factory settings are shown in Bold with an asterisk.					

Copy (Default display)

Level1	Level2	Level3	Options	Descriptions	Page
Quality	—	—	Fast Normal* Best	Choose the Copy resolution for your type of document.	29
Enlarge/Reduce	—	—	50% 69% A4→A5 78% 83% 93% A4→LTR 97% LTR→A4 100%* 104% EXE→LTR 142% A5→A4 186% 10x15cm→LTR 198% 10x15cm→A4 200% Custom (25-400%)	You can choose the enlargement or reduction ratio for your type of document.	29
Paper Type	—	—	Plain Paper* Inkjet Paper Brother Photo Other Photo Transparency	Choose the paper type that matches the paper in the tray.	32
Paper Size	—	—	Letter Legal A4* A5 10x15cm	Choose the paper size that matches the paper in the tray.	32
Brightness	—	—		Adjusts the brightness of copies.	31
Contrast	—	—		Adjusts the contrast of copies.	31
 The factory settings are shown in Bold with an asterisk.					

Level1	Level2	Level3	Options	Descriptions	Page
Color Adjust	Red	—		Adjusts the amount of Red in copies.	32
	Green	—		Adjusts the amount of Green in copies.	
	Blue	—		Adjusts the amount of Blue in copies.	
Stack/Sort (DCP-540CN only)	—	—	Stack* Sort	You can choose to stack or sort multiple copies.	31
Page Layout	—	—	Off (1in1) * 2in1 (P) 2in1 (L) 4in1 (P) 4in1 (L) Poster (3x3)	You can make N in 1 or Poster copies.	30
Set New Default	—	—	Yes No	You can save your copy settings.	33
Factory Reset	—	—	Yes No	You can restore all the settings to factory settings.	33
 The factory settings are shown in Bold with an asterisk.					

Scan ()

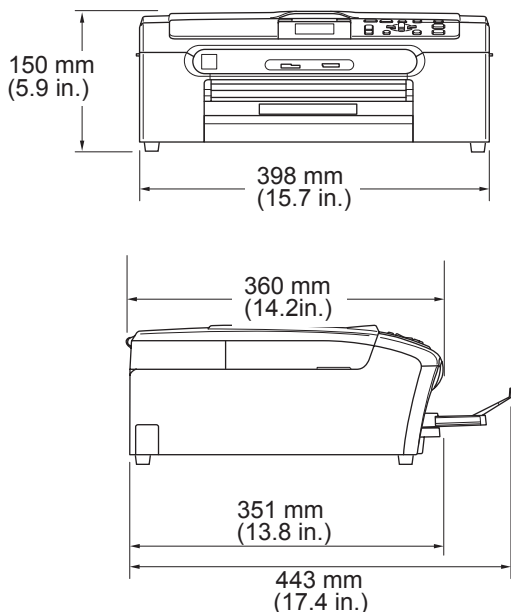
Level1	Option1	Option2	Option3	Descriptions	Page
Scan to E-mail	—	—	—	You can scan a monochrome or a colour document into your E-mail application.	See <i>Software User's Guide on the CD-ROM</i>
Scan to Image	—	—	—	You can scan a colour picture into your graphics application.	
Scan to OCR	—	—	—	You can have your text document converted to an editable text file.	
Scan to File	—	—	—	You can scan a monochrome or a colour document into your computer.	
Scan to Card	150 dpi Color* 300 dpi Color 600 dpi Color 200x100 dpi B/W 200 dpi B/W	PDF*/JPEG PDF*/JPEG PDF*/JPEG TIFF*/PDF TIFF*/PDF	(File Name) XXXXXXXXX	You can choose the scan resolution and file format for your document.	46
 The factory settings are shown in Bold with an asterisk.					

General

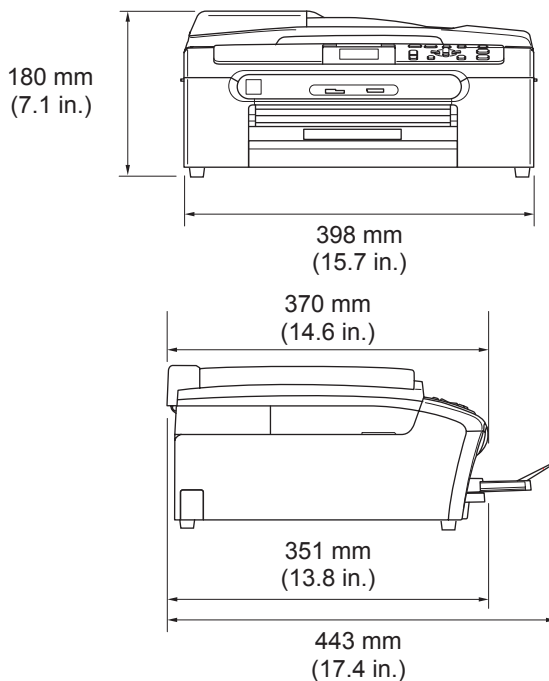
Memory Capacity	32 MB
ADF (automatic document feeder) (DCP-540CN only)	Up to 10 pages Temperature: 20° C - 30° C (68° F - 86° F) Humidity: 50% - 70% Paper: [80 g/m ² (20 lb)] A4 Letter size
Paper Tray	100 Sheets [80 g/m ² (20 lb)]
Printer Type	Ink Jet
Print Method	Black: Piezo with 94 × 1 nozzles Colour: Piezo with 94 × 3 nozzles
LCD (liquid crystal display)	50.8 mm (2.0 in) Colour LCD (DCP-330C/DCP-540CN) 63.5 mm (2.5 in) Colour LCD (DCP-750CW)
Power Source	AC 220 to 240V 50/60Hz
Power Consumption	(DCP-330C) Off: Average 5.5 W Standby: Average 7 W Operating: Average 21 W (DCP-540CN) Off: Average 5 W Standby: Average 8 W Operating: Average 35 W (DCP-750CW) Off: Average 7 W Standby: Average 9 W Operating: Average 23 W

Dimensions

(DCP-330C, DCP-750CW)



(DCP-540CN)



Weight

7.3 kg (16.06 lb) (DCP-330C, DCP-750CW)

8.0 kg (17.6 lb) (DCP-540CN)

Noise

Operating: 50 dB or less ¹

Temperature

Operating: 10 to 35° C (50° F to 95° F)

Best Print Quality: 20 to 33° C (68° F to 91° F)

Humidity

Operating: 20 to 80% (without condensation)

Best Print Quality: 20 to 80% (without condensation)

¹ This depends on printing conditions.

Print media

Paper Input

Paper Tray

■ Paper type:

Plain paper, inkjet paper (coated paper), glossy paper², transparencies^{1 2} and envelopes

■ Paper size:

Letter, Legal, Executive, A4, A5, A6, JIS B5, envelopes (commercial No.10, DL, C5, Monarch, JE4), Photo 2L, Index card and Post card³.

For more details, see *Paper weight, thickness and capacity* on page 15.

■ Maximum paper tray capacity: Approx. 100 sheets of 80 g/m² (20 lb) plain paper

Photo Paper Tray

■ Paper type:

Plain paper, inkjet paper (coated paper) and glossy paper²

■ Paper size:

Photo 10×15 cm (4×6 in.) and Photo L

■ Maximum paper tray capacity:

Approx. 20 sheets

Paper Output

Up to 50 sheets of A4 plain paper (Face up print delivery to the output paper tray)²

¹ Use only transparencies recommended for inkjet printing.

² For glossy paper or transparencies, we recommend removing printed pages from the output paper tray immediately after they exit the machine to avoid smudging.

³ See *Paper type and size for each operation* on page 14.

Copy

Colour/Monochrome	Yes/Yes
Document Size	ADF Width: 148 mm to 215.9 mm (5.8 in. to 8.5 in.) ADF Height: 148 mm to 356 mm (5.8 in. to 14 in.) Scanner Glass Width: Max. 215.9 mm (8.5 in.) Scanner Glass Height: Max. 297 mm (11.7 in.) Copy Width: Max. 210 mm (8.26 in.)
Copy Speed	(DCP-330C and DCP-540CN) Monochrome: Up to 18 pages/minute (A4 paper) ¹ Colour: Up to 16 pages/minute (A4 paper) ¹ (DCP-750CW) Monochrome: Up to 20 pages/minute (A4 paper) ¹ Colour: Up to 18 pages/minute (A4 paper) ¹
Multiple Copies	Stacks up to 99 pages Sorts up to 99 pages (DCP-540CN only)
Enlarge/Reduce	25% to 400% (in increments of 1%)
Resolution	(Monochrome) <ul style="list-style-type: none"> ■ Scans up to 600×1200 dpi ■ Prints up to 1200×1200 dpi (Colour) <ul style="list-style-type: none"> ■ Scans up to 600×1200 dpi ■ Prints up to 600×1200 dpi

¹ Based on Brother standard pattern. (Fast mode/Stack Copy) Copy speeds vary with the complexity of the document.

PhotoCapture Center™

Available Media	CompactFlash® (Type I only) (Microdrive™ is not compatible) (Compact I/O card such as Compact LAN card and Compact Modem card are not supported.) Memory Stick® Memory Stick Pro™ (Not available for music data with MagicGate™) MultiMediaCard™ Secure Digital™ xD-Picture Card™ ¹
File Extension (Media Format) (Image Format)	DPOF, EXIF, DCF Photo Print:JPEG ² Scan to Card:JPEG, PDF (Colour) TIFF, PDF (Black)
Number of Files	Up to 999 files in the media card
Folder	File must be in the 3rd folder level of the Media Card.
Borderless	Letter, A4, Photo Card (10×15 cm) ³

¹ xD-Picture Card™ Conventional Card from 16MB to 512MB
xD-Picture Card™ Type M from 256MB to 1GB
xD-Picture Card™ Type H from 256MB to 1GB

² Progressive JPEG format is not supported.

³ See *Paper type and size for each operation* on page 14.

PictBridge

Compatibility	Supports the Camera & Imaging Products Association PictBridge standard CIPA DC-001. Visit http://www.cipa.jp/pictbridge for more information.
Interface	PictBridge (USB) Port

Scanner

Colour/Monochrome	Yes/Yes
TWAIN Compliant	Yes (Windows® 98/98SE/Me/2000 Professional/XP ¹) Mac OS® X 10.2.4 or greater
WIA Compliant	Yes (Windows® XP ¹)
Colour Depth	36 bit colour Processing (Input) 24 bit colour Processing (Output) (Actual Input: 30 bit colour/Actual Output: 24 bit colour)
Resolution	Up to 19200 × 19200 dpi (interpolated) ² Up to 600 × 2400 dpi (optical)
Scanning Speed	Colour: up to 6.02 sec. Monochrome: up to 3.82 sec. (A4 size at 100 × 100 dpi)
Document Size	ADF Width: 148 mm to 215.9 mm (5.8 in. to 8.5 in.) ADF Height: 148 mm to 356 mm (5.8 in. to 14 in.) Scanner Glass Width: Max. 215.9 mm (8.5 in.) Scanner Glass Height: Max. 297 mm (11.7 in.)
Scanning Width	210 mm (8.26 in.)
Gray Scale	256 levels

¹ Windows® XP in this User's Guide includes Windows® XP Home Edition, Windows® XP Professional, and Windows® XP Professional x64 Edition.

² Maximum 1200 × 1200 dpi scanning when using the WIA Driver for Windows® XP (resolution up to 19200 × 19200 dpi can be selected by using the Brother scanner utility)

Printer

Printer Driver	Windows® 98/98SE/Me/2000 Professional and XP ¹ driver supporting Brother Native Compression mode and bi-directional capability Brother Ink Driver For Mac OS® X 10.2.4 or greater
Resolution	Up to 1200 × 6000 dpi ² 1200 × 2400 dpi 1200 × 1200 dpi 600 × 600 dpi 600 × 300 dpi 600 × 150 dpi
Print Speed	(DCP-330C and DCP-540CN) Monochrome: Up to 25 pages/minute ³ Colour: Up to 20 pages/minute ³ (DCP-750CW) Monochrome: Up to 27 pages/minute ³ Colour: Up to 22 pages/minute ³
Printing Width	204 mm (215.9 mm) ⁴
Disk-Based Fonts	35 TrueType
Borderless	Letter, A4, A6, Photo Card, Index Card, Post Card ⁵

¹ Windows® XP in this User's Guide includes Windows® XP Home Edition, Windows® XP Professional, and Windows® XP Professional x64 Edition.

² Output image quality varies based on many factors including, but not limited to input image resolution and quality and print media.

³ Based on Brother standard pattern.
A4 size in draft mode.

⁴ When you set the Borderless feature to On.

⁵ See *Paper type and size for each operation* on page 14.

Interfaces

USB

A USB 2.0 interface cable that is no longer than 6 feet (2.0 m).¹

LAN cable (DCP-540CN and DCP-750CW only)

Ethernet UTP cable category 5 or greater.

Wireless LAN (DCP-750CW only)

Your machine supports IEEE 802.11b/g wireless communication with your wireless LAN using Infrastructure mode or a wireless Peer-to-Peer connection in Ad-Hoc Mode.

¹ Your machine has a full-speed USB 2.0 interface. This interface is compatible with Hi-Speed USB 2.0; however, the maximum data transfer rate will be 12 Mbits/s. The machine can also be connected to a computer that has a USB 1.1 interface.

Computer requirements

Minimum System Requirements and Supported PC Software Functions								
Computer Platform & Operating System Version		Supported PC Software Functions	PC Interface	Processor Minimum Speed	Minimum RAM	Recommended RAM	Available Hard Disk Space	
							for Drivers	for Applications
Windows® Operating System ¹	98, 98SE	Printing, Scanning, Removable Disk ³	USB Ethernet 10/100BASE-TX (DCP-540CN, DCP-750CW only) Wireless 802.11 b/g (DCP-750CW only)	Intel® Pentium® II or equivalent	32 MB	128 MB	120 MB	130 MB
	Me				64 MB	256 MB		
	2000 Professional				128 MB	256 MB		
	XP Home			AMD Opteron™ AMD Athlon™64 Intel® Xeon™ with Intel® EM64T Intel® Pentium™ 4 with Intel® EM64T	256 MB	512 MB	170 MB	220 MB
	XP Professional x64 Edition							
Apple® Macintosh® Operating System	OS X 10.2.4 or greater	Printing, Scanning, Removable Disk ³	USB ² Ethernet 10/100BASE-TX (DCP-540CN, DCP-750CW only) Wireless 802.11 b/g (DCP-750CW only)	PowerPC G3 350MHz ⁴	128 MB	256 MB	80 MB	200 MB
¹ Microsoft® Internet Explorer 5 or greater. ² Third party USB ports are not supported. ³ Removable disk is a function of PhotoCapture Center™. ⁴ Power PC G3/G4/G5, Intel Core Solo/Duo.				For the latest driver updates, access the Brother Solutions Center at http://solutions.brother.com				

Consumable items

Ink

The machine uses individual Black, Yellow, Cyan and Magenta ink cartridges that are separate from the print head assembly.

Service Life of Ink Cartridge

Replacement Ink Cartridges

Black - Approximately 500 pages at 5% coverage
Yellow, Cyan and Magenta - Approximately 400 pages at 5% coverage

- The first time you install a set of ink cartridges the machine will use an amount of ink to fill the ink delivery tubes for high quality print outs. This process will only happen once. With all following ink cartridges you can print the specified number of pages.
- The above figures assume continuous printing at a resolution of 600 x 600 dpi in normal mode after installing new ink cartridge.
- The number of pages a cartridge will print may change depending on how often you use the machine and how many pages you print with each use.
- The machine will automatically and periodically clean the print head assembly, a process that uses a small amount of ink.
- When the machine identifies a cartridge as empty there may be a small amount of ink left in it. This is necessary to prevent air from drying out and damaging the print head assembly.

Replacement Consumables

<Black> LC1000BK, <Yellow> LC1000Y, <Cyan> LC1000C, <Magenta> LC1000M

Network (LAN) (DCP-540CN and DCP-750CW only)

LAN	You can connect your machine to a network for Network Printing and Network Scanning (Windows® only). Also included is Brother BRAdmin Professional Network Management software for Windows® and BRAdmin Light for Mac OS® X 10.2.4 or greater.
Support for	Windows® 98/98SE/Me/2000/XP Mac OS® X 10.2.4 or greater Ethernet 10/100 BASE-TX Auto Negotiation (Wired LAN) IEEE 802.11 b/g (Wireless LAN) (DCP-750CW only)
Protocols	TCP/IP ARP, RARP, BOOTP, DHCP, APIPA (Auto IP), NetBIOS Name Resolution, DNS Resolver, LPR/LPD, Custom Raw Port/Port9100, FTP Server, mDNS, TELNET, SNMP
Network Security	SSID/ESSID, 128 (104) / 64 (40) bit WEP, WPA/WPA2-PSK (TKIP/AES)
SecureEasySetup™ (DCP-750CW only)	Yes (simple setup with your SecureEasySetup™-capable router)

E

Glossary

This is a comprehensive list of features and terms that appear in Brother manuals. Availability of these features depends on the model you purchased.

ADF (automatic document feeder)

The document can be placed in the ADF and scanned one page at a time automatically.

Brightness

Changing the Brightness makes the whole image lighter or darker.

Contrast

Setting to compensate for dark or light documents, by making copies of dark documents lighter and light documents darker.

Colour Enhancement

Adjusts the colour in the image for better print quality by improving sharpness, white balance and colour density.

Help list

A printout of the complete Menu table that you can use to program your machine when you do not have the User's Guide with you.

LCD (liquid crystal display)

The display screen on the machine that shows interactive messages during On-Screen Programming and shows the date and time when the machine is idle.

Menu mode

Programming mode for changing your machine's settings.

OCR (optical character recognition)

The bundled ScanSoft® PaperPort® SE with OCR or Presto!® PageManager® software application converts an image of text to text you can edit.

PhotoCapture Center™

Allows you to print digital photos from your digital camera at high resolution for photo quality printing.

PictBridge

Allows you to print photos directly from your digital camera at high resolution for photo quality printing.

Scanning

The process of sending an electronic image of a paper document into your computer.

Scan to Card

You can scan a monochrome or colour document into a Media Card. Monochrome images will be in TIFF or PDF file format and colour images may be in PDF or JPEG file format.

Temporary settings

You can choose certain options for each copy without changing the default settings.

User Settings

A printed report that shows the current settings of the machine.

F

Index

- ## A
-
- ADF (automatic document feeder)10
 - ADF cover68
 - Apple® Macintosh®
 - See Software User's Guide on the CD-ROM.
- ## C
-
- Cleaning
 - paper pick-up roller74
 - print head75
 - printer platen74
 - scanner73
 - Consumable items99
 - Control panel overview6
 - ControlCenter
 - See Software User's Guide on the CD-ROM.
 - Copy
 - brightness31
 - colour saturation32
 - contrast31
 - enlarge/reduce29
 - multiple28
 - page layout30
 - paper size32
 - paper type32
 - quality29
 - Return to default33
 - set new default33
 - single28
 - sort (ADF only)31
 - using ADF28
- ## E
-
- Envelopes 14, 18, 19, 20
 - Error messages on LCD66
 - Ink Empty66
 - Near Empty66
 - No Paper Fed67
 - Out of Memory67
 - Unable to Change67
 - Unable to Clean67
 - Unable to Init.67
 - Unable to Print67
 - Unable to Scan67
- ## G
-
- Gray scale 95
- ## H
-
- HELP
 - LCD messages 79
 - using Menu keys 79
 - Menu Table 79, 80
- ## I
-
- Ink cartridges
 - checking ink volume 76
 - ink dot counter 70
 - replacing 70
- ## J
-
- Jams
 - document 68
 - paper 68
- ## L
-
- LCD (liquid crystal display) 79
 - Brightness 24
 - Contrast 24
 - Dim Timer 25
 - Help List 9
 - Language 68
 - Off Timer 25
- ## M
-
- Macintosh®
 - See Software User's Guide on the CD-ROM.
 - Maintenance, routine 70
 - Menu Table 79
 - Mode, entering
 - PhotoCapture 7
 - Scan 7

N

Network	
Printing	
See Network User's Guide on the CD-ROM.
Scanning	
See Software User's Guide on the CD-ROM.

P

Paper	12, 92
capacity	15
size	14, 23
size of document	10
type	14, 23
PaperPort®	
See Software User's Guide and PaperPort® User's Guide on the CD-ROM.
Photo Paper Tray	
how to use	20
PhotoCapture Center™	
Borderless	45
CompactFlash®	36
Cropping	45
DPOF printing	41
from PC	
See Software User's Guide on the CD-ROM.
Memory Stick Pro™	36
Memory Stick®	36
MultiMediaCard™	36
Preview photos	39
Print settings	
Brightness	44
Colour enhancement	44
Contrast	44
Paper type & size	43
Quality	42, 43
Return to factory setting	45
Set new default	45
Printing	
all photos	40
index	39
photos	40
Scan to Card	46
SecureDigital™	36
specifications	94
xD-Picture Card™	36

PictBridge	
DPOF Printing	49
Presto!® PageManager®	
See Help in Presto!® PageManager® to access the User's Guide.
Print	
area	22
difficulties	62
drivers	96
improving quality	75
paper jams	69
reports	9
resolution	96
specifications	96
Programming your machine	79

R

Reducing	
copies	29
Reports	
Help List	9
how to print	9
User Settings	9
Resolution	
copy	93
print	96
scan	95

S

Safety Instructions	58
Scanning	
See Software User's Guide on the CD-ROM.
Serial Number	
how to find	See inside front cover
Shipping the machine	77

T

Transparencies	12, 13, 15
Troubleshooting	62
checking ink volume	76
document jam	68
error messages on LCD	66
if you are having difficulty	
copying	64
Network	65
PhotoCapture Center™	64

printing	62
scanning	64
software	64
paper jam	69
print quality	75

W

Windows®

See Software User's Guide on the
CD-ROM.

Wireless Network (DCP-750CW only)

See Quick Setup Guide and Network
User's Guide on the CD-ROM.

brother[®]

**Visit us on the World Wide Web
<http://www.brother.com>**



LP3685004
UK/IRE/GEN
Printed in China

Free Manuals Download Website

<http://myh66.com>

<http://usermanuals.us>

<http://www.somanuals.com>

<http://www.4manuals.cc>

<http://www.manual-lib.com>

<http://www.404manual.com>

<http://www.luxmanual.com>

<http://aubethermostatmanual.com>

Golf course search by state

<http://golfingnear.com>

Email search by domain

<http://emailbydomain.com>

Auto manuals search

<http://auto.somanuals.com>

TV manuals search

<http://tv.somanuals.com>