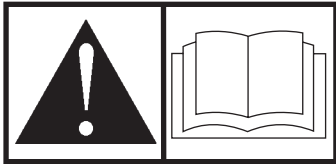




PRO10000 Portable Generator Operator's Manual



BRIGGS & STRATTON POWER PRODUCTS GROUP, LLC
JEFFERSON, WISCONSIN, U.S.A.



Manual No. 204730GS Revision - (10/18/2007)

Thank you for purchasing this quality-built Briggs & Stratton generator. We are pleased that you've placed your confidence in the Briggs & Stratton brand. When operated and maintained according to the instructions in this manual, your Briggs & Stratton generator will provide many years of dependable service.

This manual contains safety information to make you aware of the hazards and risks associated with generator products and how to avoid them. This generator is designed and intended only for supplying electrical power for operating compatible electrical lighting, appliances, tools and motor loads, and is not intended for any other purpose. It is important that you read and understand these instructions thoroughly before attempting to start or operate this equipment. **Save these instructions for future reference.**

This generator requires final assembly before use. Refer to the *Assembly* section of this manual for instructions on final assembly procedures. Follow the instructions completely.

Where to Find Us

You never have to look far to find Briggs & Stratton support and service for your generator. Consult your Yellow Pages. There are over 30,000 Briggs & Stratton authorized service dealers worldwide who provide quality service. You can also contact Briggs & Stratton Customer Service by phone at **(800) 743-4115**, or on the Internet at BRIGGSandSTRATTON.COM.

Generator

Model Number

--	--	--	--	--	--	--

Revision

--	--

Serial Number

--	--	--	--	--	--	--	--	--	--	--	--	--	--	--

Engine

Model Number

--	--	--	--	--	--	--

Type Number

--	--	--	--	--	--	--	--

Code Number

--	--	--	--	--	--	--	--	--	--	--	--	--	--	--	--	--	--

Date Purchased

--	--	--	--	--	--	--	--

Briggs & Stratton Power Products Group, LLC
900 North Parkway
Jefferson, WI 53549

Copyright © 2007 Briggs & Stratton Power Products Group, LLC. All rights reserved. No part of this material may be reproduced or transmitted in any form by any means without the express written permission of Briggs & Stratton Power Products Group, LLC.

Table of Contents

Operator Safety	4
Equipment Description	4
Safety Rules	4
Assembly	7
Unpack Generator	7
Shipment Contents	7
Install Wheel Kit	7
Add Engine Oil	9
Add Fuel	9
System Ground	10
Connecting to a Building's Electrical System	10
Generator Location	10
Features and Controls	11
Cord Sets and Receptacles	13
Ground Fault Protection	14
Battery Charger	15
Operation	16
Starting the Engine	16
Connecting Electrical Loads	17
Stopping the Engine	17
Operating Automatic Idle Control	17
Oil Pressure Shutdown	17
Charging a Battery	17
Cold Weather Operation	18
Don't Overload Generator	19
Maintenance	20
Maintenance Schedule	20
Generator Maintenance	20
Fuel Valve Maintenance	21
Engine Maintenance	21
Storage	24
Troubleshooting	25
Warranties	28
Emissions Control System Warranty	28
Generator Owner Warranty	30
Specifications	32
Product Specifications	32
Common Service Parts	32

Safety

Assembly

Controls

Operation

Maintenance

Troubleshooting

Warranty

Español

es

Français

fr

Operator Safety

Equipment Description



Read this manual carefully and become familiar with your generator. Know its applications, its limitations and any hazards involved.

The generator is an engine-driven, revolving field, alternating current (AC) generator. It was designed to supply electrical power for operating compatible electrical lighting, appliances, tools and motor loads. The generator's revolving field is driven at about 3,600 rpm by a twin-cylinder engine.

NOTICE

Exceeding generators wattage/amperage capacity can damage generator and/or electrical devices connected to it.

- DO NOT exceed the generator's wattage/amperage capacity. See *Don't Overload Generator* in the *Operation* section.

Every effort has been made to ensure that the information in this manual is both accurate and current. However, the manufacturer reserves the right to change, alter or otherwise improve the generator and this documentation at any time without prior notice.

The Emission Control System for this generator is warranted for standards set by the Environmental Protection Agency and the California Air Resources Board.

Safety Rules

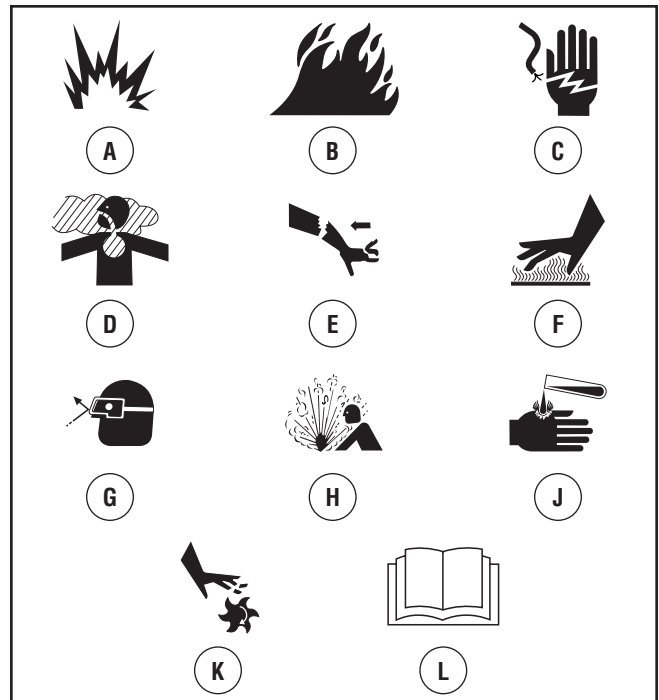


This is the safety alert symbol. It is used to alert you to potential personal injury hazards. Obey all safety messages that follow this symbol to avoid possible injury or death.

The safety alert symbol (▲) is used with a signal word (**DANGER, WARNING, CAUTION**), a pictorial and/or a safety message to alert you to hazards. **DANGER** indicates a hazard which, if not avoided, will result in death or serious injury. **WARNING** indicates a hazard which, if not avoided, could result in death or serious injury. **CAUTION** indicates a hazard which, if not avoided, might result in minor or moderate injury. **NOTICE** indicates a situation that could result in equipment damage. Follow safety messages to avoid or reduce the risk of injury or death.

The manufacturer cannot possibly anticipate every possible circumstance that might involve a hazard. The warnings in this manual, and the tags and decals affixed to the unit are, therefore, not all-inclusive. If you use a procedure, work method or operating technique that the manufacturer does not specifically recommend, you must satisfy yourself that it is safe for you and others. You must also make sure that the procedure, work method or operating technique that you choose does not render the generator unsafe.



Hazard Symbols and Meanings



A - Explosion
B - Fire
C - Electric Shock
D - Toxic Fumes
E - Kickback
F - Hot Surface

G - Flying Objects
H - Explosive Pressure
J - Chemical Burn
K - Moving Parts
L - Read Manual

⚠ DANGER



	<p>Storage batteries give off explosive hydrogen gas during recharging.</p> <p>Hydrogen gas stays near battery for a long time after battery has been charged.</p> <p>Slightest spark will ignite hydrogen and cause explosion.</p> <p>You can be blinded or severely injured.</p>
	<p>Battery electrolyte fluid contains acid and is extremely caustic.</p> <p>Contact with battery fluid will cause severe chemical burns.</p>

- DO NOT allow any open flame, spark, heat, or lit cigarette during and for several minutes after charging a battery.
- Wear protective goggles, rubber apron, and rubber gloves.


⚠ DANGER

Using a generator indoors CAN KILL YOU IN MINUTES.

Generator exhaust contains carbon monoxide. This is a poison you cannot see or smell.

 <p>NEVER use inside a home or garage, EVEN IF doors and windows are open.</p>	 <p>Only use OUTSIDE and far away from windows, doors, and vents.</p>
---	--

⚠ WARNING


	<p>Running engine gives off carbon monoxide, an odorless, colorless, poison gas.</p> <p>Breathing carbon monoxide can cause headache, fatigue, dizziness, vomiting, confusion, seizures, nausea, fainting or death.</p>
---	---

- Operate generator ONLY outdoors.
- Install a battery operated carbon monoxide alarm near the bedrooms.
- Keep exhaust gas from entering a confined area through windows, doors, ventilation intakes, or other openings.
- DO NOT start or run engine indoors or in an enclosed area, (even if windows and doors are open), including the generator compartment of a recreational vehicle (RV).

⚠ WARNING



The engine exhaust from this product contains chemicals known to the State of California to cause cancer, birth defects, or other reproductive harm.

⚠ WARNING

	<p>Starter cord kickback (rapid retraction) can result in bodily injury. Kickback will pull hand and arm toward engine faster than you can let go.</p> <p>Broken bones, fractures, bruises, or sprains could result.</p>
---	--

- When starting engine, pull cord slowly until resistance is felt and then pull rapidly to avoid kickback.
- NEVER start or stop engine with electrical devices plugged in and turned on.

⚠ WARNING

	<p>Fuel and its vapors are extremely flammable and explosive.</p>
	<p>Fire or explosion can cause severe burns or death.</p>

WHEN ADDING OR DRAINING FUEL

- Turn generator OFF and let it cool at least 2 minutes before removing fuel cap. Loosen cap slowly to relieve pressure in tank.
- Fill or drain fuel tank outdoors.
- DO NOT overfill tank. Allow space for fuel expansion.
- If fuel spills, wait until it evaporates before starting engine.
- Keep fuel away from sparks, open flames, pilot lights, heat, and other ignition sources.
- DO NOT light a cigarette or smoke.

WHEN STARTING EQUIPMENT

- Ensure spark plug, muffler, fuel cap, and air cleaner are in place.
- DO NOT crank engine with spark plug removed.

WHEN OPERATING EQUIPMENT

- DO NOT tip engine or equipment at angle which causes fuel to spill.
- This generator is not for use in mobile equipment or marine applications.

WHEN TRANSPORTING OR REPAIRING EQUIPMENT

- Transport/repair with fuel tank EMPTY or with fuel shutoff valve OFF.
- Disconnect spark plug wire.

WHEN STORING FUEL OR EQUIPMENT WITH FUEL IN TANK

- Store away from furnaces, stoves, water heaters, clothes dryers, or other appliances that have pilot light or other ignition source because they can ignite fuel vapors.

⚠ WARNING

- This generator does not meet U. S. Coast Guard Regulation 33CFR-183 and should not be used on marine applications.
- Failure to use the appropriate U. S. Coast Guard approved generator could result in death or serious injury and/or property damage.

⚠ WARNING

Generator produces hazardous voltage.

Failure to isolate generator from power utility can result in death or injury to electric utility workers due to backfeed of electrical energy.

- When using generator for backup power, notify utility company. Use approved transfer equipment to isolate generator from electric utility.
- Use a ground fault circuit interrupter (GFCI) in any damp or highly conductive area, such as metal decking or steel work.
- DO NOT touch bare wires or receptacles.
- DO NOT use generator with electrical cords which are worn, frayed, bare or otherwise damaged.
- DO NOT operate generator in the rain or wet weather.
- DO NOT handle generator or electrical cords while standing in water, while barefoot, or while hands or feet are wet.
- DO NOT allow unqualified persons or children to operate or service generator.

⚠ WARNING

Contact with muffler area can result in serious burns.



Exhaust heat/gases can ignite combustibles, structures or damage fuel tank causing a fire.

- DO NOT touch hot parts and AVOID hot exhaust gases.
- Allow equipment to cool before touching.
- Keep at least 5 feet (1.5 m) of clearance on all sides of generator including overhead.
- Code of Federal Regulation (CFR) Title 36 Parks, Forests, and Public Property require equipment powered by an internal combustion engine to have a spark arrester, maintained in effective working order, complying to USDA Forest service standard 5100-1C or later revision. In the State of California a spark arrester is required under section 4442 of the California Public resources code. Other states may have similar laws.

⚠ WARNING

Starter and other rotating parts can entangle hands, hair, clothing, or accessories.

- NEVER operate generator without protective housing or covers.
- DO NOT wear loose clothing, jewelry or anything that may be caught in the starter or other rotating parts.
- Tie up long hair and remove jewelry.

⚠ WARNING

Unintentional sparking can result in fire or electric shock.

WHEN ADJUSTING OR MAKING REPAIRS TO YOUR GENERATOR

- Disconnect the spark plug wire from the spark plug and place the wire where it cannot contact spark plug.

WHEN TESTING FOR ENGINE SPARK

- Use approved spark plug tester.
- DO NOT check for spark with spark plug removed.

⚠ CAUTION

Excessively high operating speeds increase risk of injury and damage to generator.

Excessively low speeds impose a heavy load.

- DO NOT tamper with governed speed. Generator supplies correct rated frequency and voltage when running at governed speed.
- DO NOT modify generator in any way.

NOTICE

Exceeding generators wattage/amperage capacity can damage generator and/or electrical devices connected to it.

- DO NOT exceed the generator's wattage/amperage capacity. See *Don't Overload Generator* in the *Operation* section.
- Start generator and let engine stabilize before connecting electrical loads.
- Connect electrical loads in OFF position, then turn ON for operation.
- Turn electrical loads OFF and disconnect from generator before stopping generator.

NOTICE

Improper treatment of generator can damage it and shorten its life.

- Use generator only for intended uses.
- If you have questions about intended use, ask dealer or contact local service center.
- Operate generator only on level surfaces.
- DO NOT expose generator to excessive moisture, dust, dirt, or corrosive vapors.
- DO NOT insert any objects through cooling slots.
- If connected devices overheat, turn them off and disconnect them from generator.
- Shut off generator if:
 - electrical output is lost;
 - equipment sparks, smokes, or emits flames;
 - unit vibrates excessively.

Assembly

Your generator requires some assembly and is ready for use after it has been properly serviced with the recommended oil and fuel.

If you have any problems with the assembly of your generator, please call the generator helpline at **1-800-743-4115**. If calling for assistance, please have the model, revision, and serial number from the data tag available. See *Generator Controls and Features* for data tag location.

Unpack Generator

1. Set the carton on a rigid, flat surface.
2. Remove everything from carton except generator.
3. Open carton completely by cutting each corner from top to bottom.
4. Leave generator on carton to install wheel kit.

Shipment Contents

The generator is supplied with:

- Engine oil
- Operator's manual
- Battery float charger
- Battery charge cables
- Wheel kit
- 120/240 Volt, 30 Amp locking plug
- 120 Volt, 30 Amp locking plug

Install Wheel Kit

NOTE: Wheel kit is not intended for over-the-road use.

You will need the following tools to install these components:

- 3/8" and 13 mm wrench
- Socket wrench with a 3/8" and 13 mm socket
- Pliers
- Safety glasses

Install the wheel kit as follows:

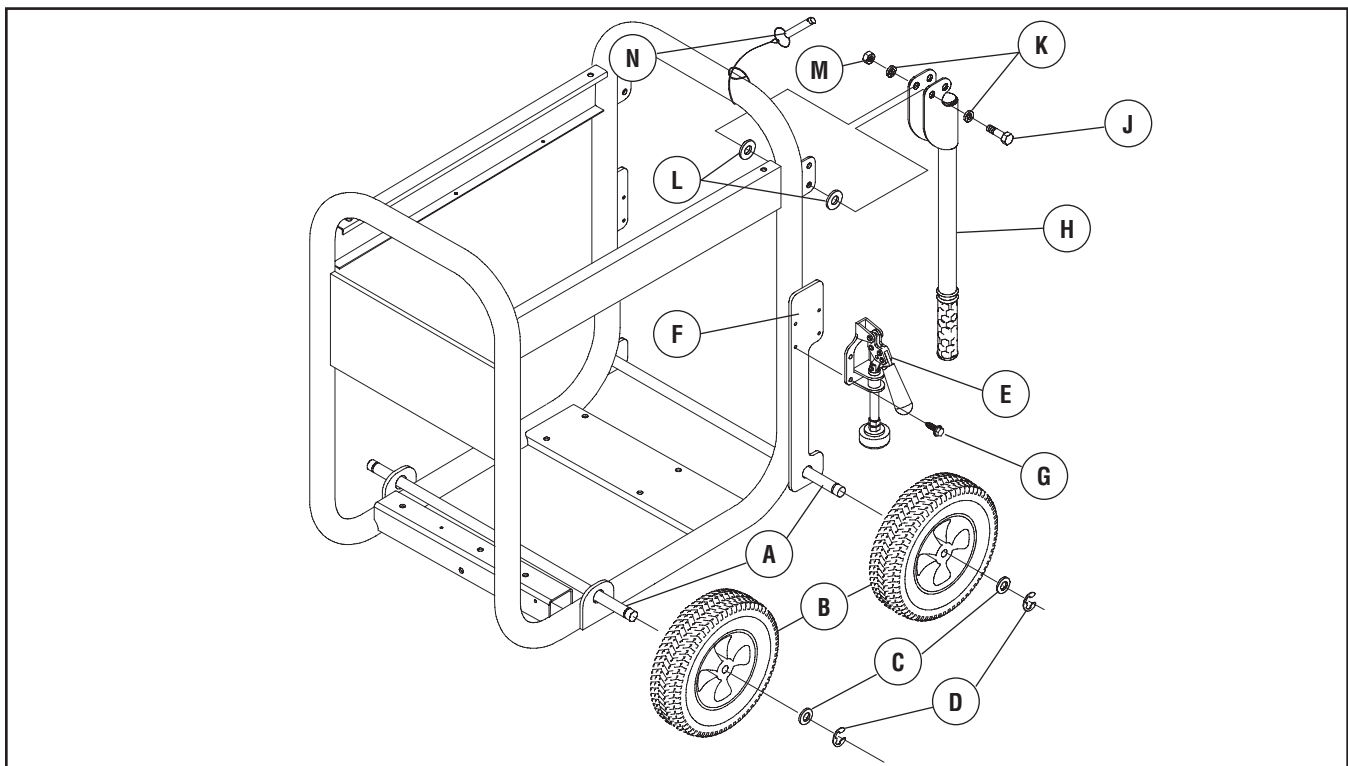
1. Tip generator so that engine side is down.
2. Slide axle (**A**) through both mounting brackets.
3. Slide a wheel (**B**) over axle.

NOTE: Be sure to install wheel with raised hub inboard.

4. Place a washer (**C**) on axle and then place an e-ring (**D**) in axle groove.

 CAUTION	
	E-rings can cause eye injury. E-rings can spring back and become airborne when installing or removing.
• Always wear eye protection when installing/removing e-rings.	

5. Install e-ring with pliers, squeezing from top of e-ring to bottom of axle.
6. Repeat steps 3 through 5 to secure second wheel.



7. Tip generator so that engine end is up.
8. Attach clamps (E) to brackets (F) on both sides of generator with 1/4 - 20 hex screws (G).
9. Repeat steps 2 through 5 to secure the third and fourth wheels.
10. Attach handles (H) to brackets on generator frame as shown, with 45 mm capscrews (J), flat washers (K), nylon washers (L), and M8 lock nuts (M).

NOTE: DO NOT overtighten. Handles must be able to move up and down freely.

11. Return generator to normal operating position (resting on wheels).
12. To apply brakes, push down firmly on handle of both clamps until it locks in the down position and engages the wheels.

IMPORTANT: The generator is designed to be used on level surfaces.

13. Loop handle pins (N) on generator frame just above handle brackets.
14. Raise handles and insert handle pins to move generator.
15. To release brakes, pull up on handle of both clamps until it locks in the up position.

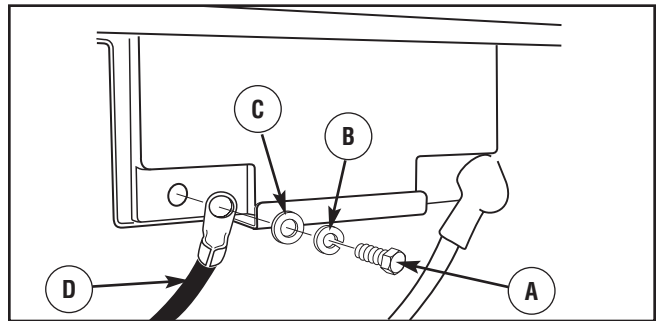
Attach Negative Battery Cable

Your unit is equipped with electric start capability but can be started manually. If you choose not to use the electric start feature, you do not need to connect the negative battery cable.

The sealed battery on the generator pre-installed except for the negative (black) battery cable.

To install:

1. Cut off tie wrap securing loose end of negative (black) cable.
2. Using an 8 mm or 5/16" socket wrench, remove screw (A), lock washer (B) and flat washer (C) on negative battery terminal.



3. Slide lock washer, flat washer and negative battery cable (D) over screw as shown.
4. Reattach screw to negative battery terminal and tighten.
5. Verify that connections to battery and generator are tight and secure.

NOTE: If your battery is discharged, charge prior to use following the instructions in the section *Battery Charger*.

Add Engine Oil

1. Place generator on a flat, level surface.
2. Clean area around oil fill and remove yellow oil fill cap.

NOTE: See the section *Oil* to review oil recommendations. Verify provided oil bottle is correct viscosity for current ambient temperature.

3. Using oil funnel (optional), slowly pour contents of both provided oil bottles into oil fill opening to the “Full” mark on dipstick.

NOTICE

Improper treatment of generator can damage it and shorten its life.

- DO NOT attempt to crank or start the engine before it has been properly serviced with the recommended oil. This may result in an engine failure.

4. Replace oil fill cap and fully tighten.

Add Fuel

Fuel must meet these requirements:

- Clean, fresh, unleaded gasoline.
- A minimum of 87 octane/87 AKI (91 RON). High altitude use, see *High Altitude*.
- Gasoline with up to 10% ethanol (gasohol) or up to 15% MTBE (methyl tertiary butyl ether) is acceptable.

NOTICE

Avoid generator damage.

Failure to follow Operator’s Manual for fuel recommendations voids warranty.

- DO NOT use unapproved gasoline such as E85.
- DO NOT mix oil in gasoline.
- DO NOT modify engine to run on alternate fuels.

To protect the fuel system from gum formation, mix in a fuel stabilizer when adding fuel. See *Storage*. All fuel is not the same. If you experience starting or performance problems after using fuel, switch to a different fuel provider or change brands. This engine is certified to operate on gasoline. The emission control system for this engine is EM (Engine Modifications).

WARNING



Fuel and its vapors are extremely flammable and explosive.

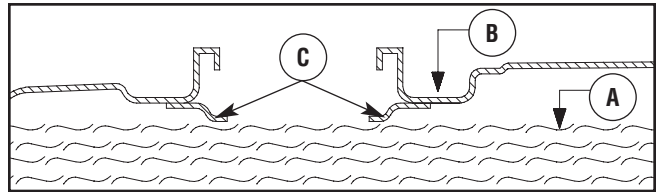


Fire or explosion can cause severe burns or death.

WHEN ADDING FUEL

- Turn generator OFF and let it cool at least 2 minutes before removing fuel cap. Loosen cap slowly to relieve pressure in tank.
- Fill fuel tank outdoors.
- DO NOT overfill tank. Allow space for fuel expansion.
- If fuel spills, wait until it evaporates before starting engine.
- Keep fuel away from sparks, open flames, pilot lights, heat, and other ignition sources.
- DO NOT light a cigarette or smoke.

1. Clean area around fuel fill cap, remove cap.
2. Slowly add unleaded gasoline (A) to fuel tank (B). Be careful not to fill above the baffle (C). This allows adequate space for fuel expansion as shown.



3. Install fuel cap and let any spilled fuel evaporate before starting engine.

High Altitude

At altitudes over 5,000 feet (1524 meters), a minimum 85 octane / 85 AKI (89 RON) gasoline is acceptable. To remain emissions compliant, high altitude adjustment is required. Operation without this adjustment will cause decreased performance, increased fuel consumption, and increased emissions. See an authorized dealer for high altitude adjustment information. Operation of the engine at altitudes below 2,500 feet (762 meters) with the high altitude kit is not recommended.

System Ground

The generator has a system ground that connects the generator frame components to the ground terminals on the AC output receptacles. The system ground is connected to the AC neutral wire (the neutral is bonded to the generator frame).



Special Requirements

There may be Federal or State Occupational Safety and Health Administration (OSHA) regulations, local codes, or ordinances that apply to the intended use of the generator. Please consult a qualified electrician, electrical inspector, or the local agency having jurisdiction:

- In some areas, generators are required to be registered with local utility companies.
- If the generator is used at a construction site, there may be additional regulations which must be observed.



Connecting to a Building's Electrical System

Connections for standby power to a building's electrical system must be made by a qualified electrician. The connection must isolate the generator power from utility power or other alternative power sources and must comply with all applicable laws and electrical codes.



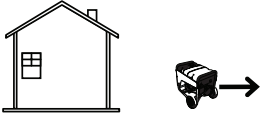
	WARNING
	<p>Generator produces hazardous voltage. Failure to isolate generator from power utility can result in death or injury to electric utility workers due to backfeed of electrical energy.</p>
<ul style="list-style-type: none"> • When using generator for backup power, notify utility company. Use approved transfer equipment to isolate generator from electric utility. • Use a ground fault circuit interrupter (GFCI) in any damp or highly conductive area, such as metal decking or steel work. • DO NOT touch bare wires or receptacles. • DO NOT use generator with electrical cords which are worn, frayed, bare or otherwise damaged. • DO NOT operate generator in the rain or wet weather. • DO NOT handle generator or electrical cords while standing in water, while barefoot, or while hands or feet are wet. • DO NOT allow unqualified persons or children to operate or service generator. 	

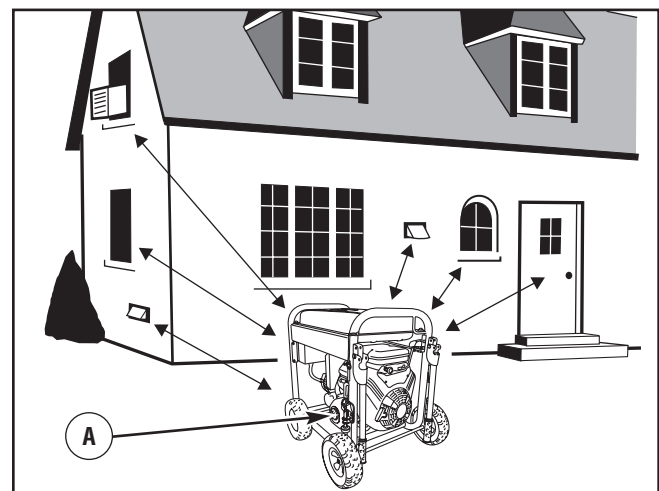
Generator Location

Clearances and Air Movement

	
WARNING	
	Exhaust heat/gases can ignite combustibles, structures or damage fuel tank causing a fire.
<ul style="list-style-type: none"> • Keep at least 5 ft. (1.5 m) clearance on all sides of generator including overhead. 	

Place generator outdoors in an area that will not accumulate deadly exhaust gas. DO NOT place generator where exhaust gas (A) could accumulate and enter inside or be drawn into a potentially occupied building. Ensure exhaust gas is kept away from any windows, doors, ventilation intakes, or other openings that can allow exhaust gas to collect in a confined area. Prevailing winds and air currents should be taken into consideration when positioning generator.

	
DANGER	
<p>Using a generator indoors CAN KILL YOU IN MINUTES.</p> <p>Generator exhaust contains carbon monoxide. This is a poison you cannot see or smell.</p>	
 NEVER use inside a home or garage, EVEN IF doors and windows are open.	 Only use OUTSIDE and far away from windows, doors, and vents.

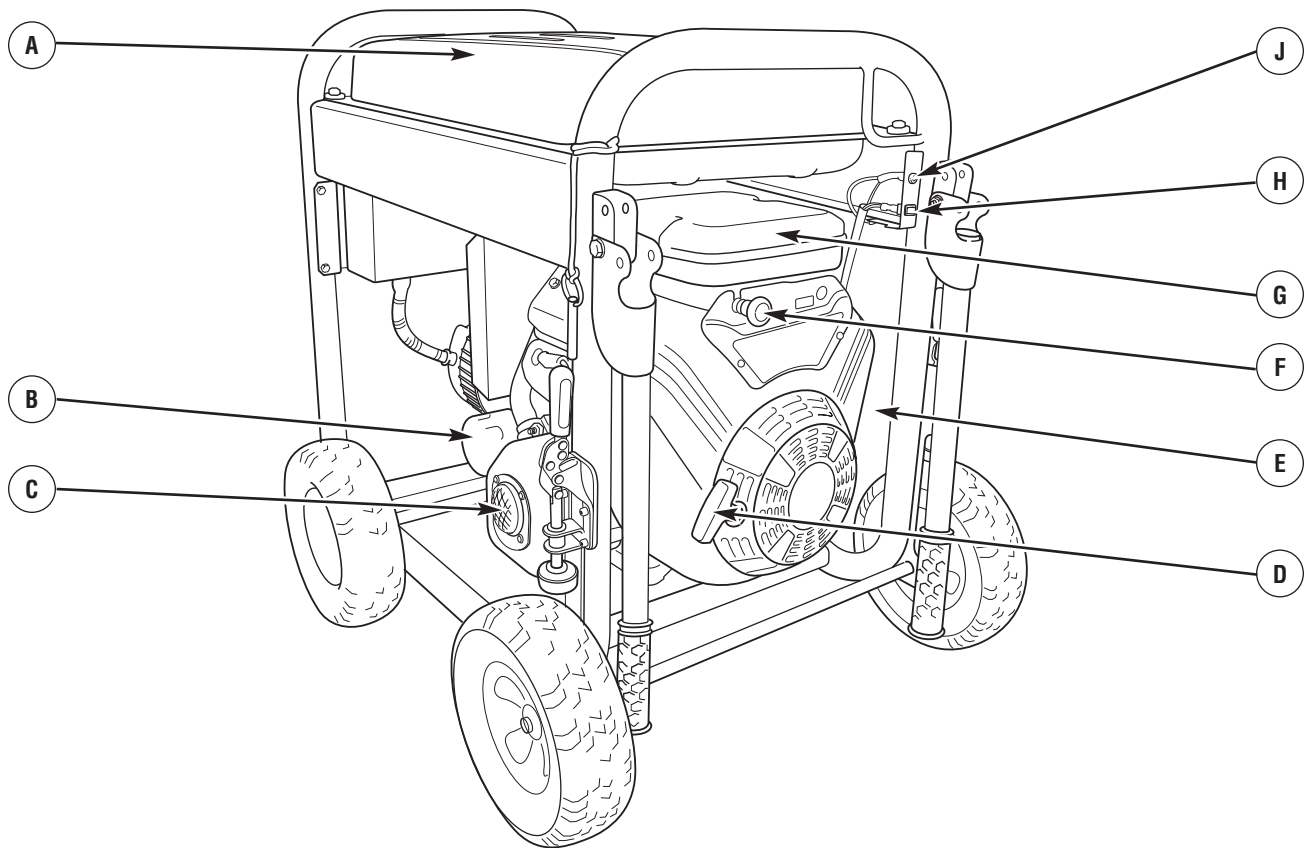


Features and Controls



Read this Operator's Manual and safety rules before operating your generator.

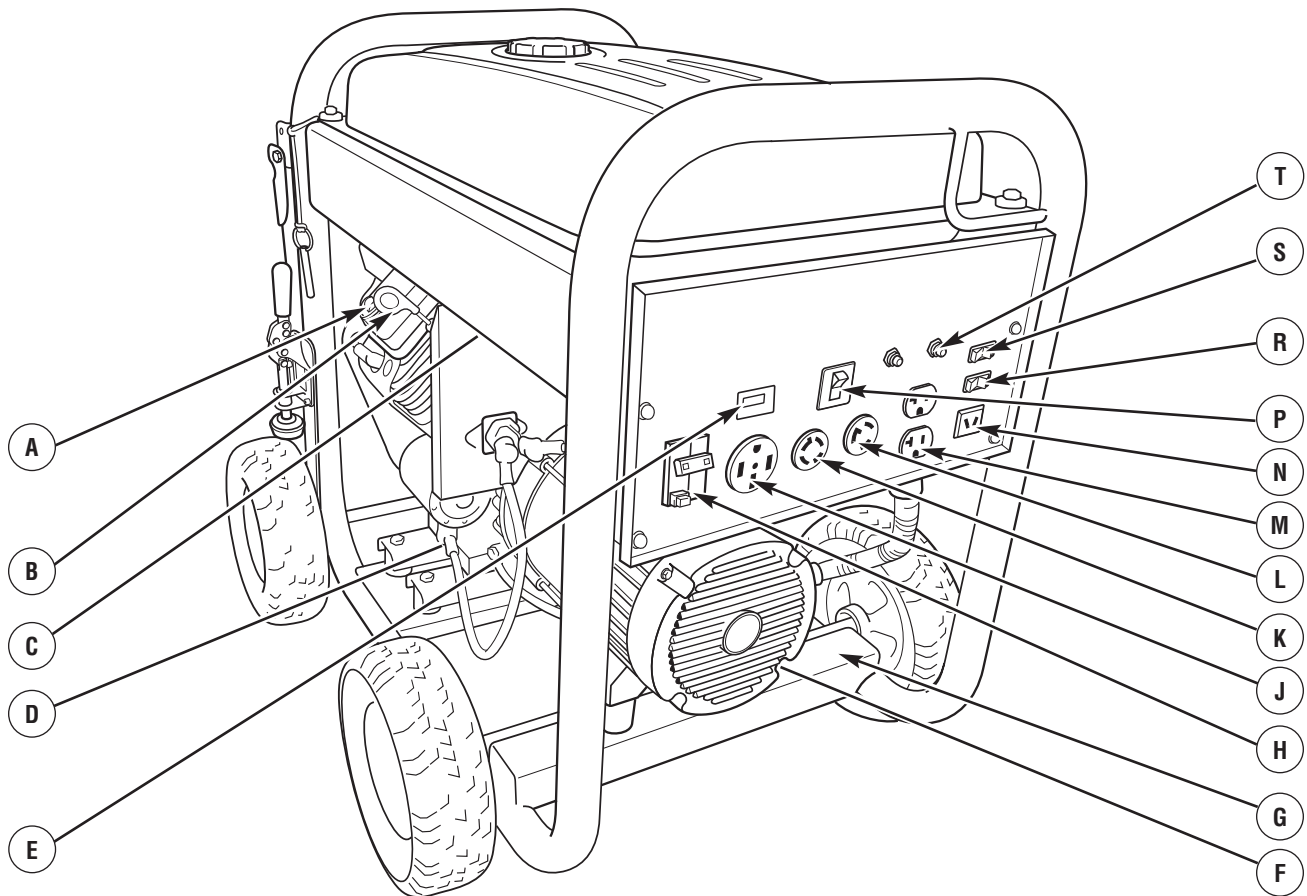
Compare the illustrations with your generator, to familiarize yourself with the locations of various controls and adjustments. Save this manual for future reference.



- A - Fuel Tank** — Capacity of seven (7) U.S. gallons (26.5 l).
- B - Oil Filter** — Filters engine oil to prolong engine life.
- C - Spark Arrester Muffler** — Exhaust muffler lowers engine noise and is equipped with a spark arrester screen.
- D - Recoil Starter** — Used to start the engine manually.
- E - Engine Identification** — Provides model, type and code of engine. Please have these readily available if calling for assistance.

- F - Choke Control** — Used when starting a cold engine.
- G - Air Cleaner** — Protects engine by filtering dust and debris out of intake air.
- H - Start Switch** — Push to start the engine.
- J - Battery Float Charger Jack** — Use battery float charger jack to keep the starting battery charged and ready for use.

Controls




- A - Oil Fill Cap** — Fill engine with oil here.
- B - Oil Dipstick** — Check engine oil here.
- C - Fuel Valve** — Used to turn fuel supply on and off to engine.
- D - Oil Drain Plug** — Drain engine oil here.
- E - Hour Meter** — Displays and records how many hours your generator has run (up to 9,999.9).
- F - Grounding Fastener** — Consult your local agency having jurisdiction for grounding requirements in your area.
- G - Data Tag** — Provides model and serial number of generator. Please have these readily available if calling for assistance.
- H - GFCI Circuit Breaker** — A GFCI circuit breaker is provided to protect against electrical ground fault and protect the generator against electrical overload.
- J - 120/240 Volt AC, 50 Amp Receptacle** — May be used to supply electrical power for the operation of 120 and/or 240 Volt AC, 50 Amp, single phase, 60 Hz electrical loads.
- K - 120/240 Volt AC, 30 Amp Locking Receptacle** — May be used to supply electrical power for the operation of 120 and/or 240 Volt AC, 30 Amp, single phase, 60 Hz electrical, lighting, appliance, tool and motor loads.
- L - 120 Volt AC, 30 Amp Locking Receptacle** — May be used to supply electrical power for the operation of 120 Volt AC, 30 Amp, single phase, 60 Hz electrical lighting, appliance, tool and motor loads.
- M - 120 Volt AC, 20 Amp, Duplex Receptacle** — May be used to supply electrical power for the operation of 120 Volt AC, 20 Amp, single phase, 60 Hz electrical, lighting, appliance, tool and motor loads.
- N - 12 Volt DC Receptacle** — Use this receptacle with battery charge cables to charge a 12 Volt battery. This receptacle is protected by a 10 Amp auto reset circuit breaker.
- P - Rocker Switch Circuit Breaker** — The 120/240 Volt AC, 30A locking receptacle and the 120 Volt AC, 30A locking receptacle is provided with a 2 pole rocker switch circuit breaker to protect the generator against electrical overload.
- R - Idle Control Switch** — Use this switch to turn the idle control feature on and off.
- S - Run/Stop Switch** — Set this switch to "Run" before starting. Set switch to "Stop" to switch off engine.
- T - Circuit Breakers (AC)** — The 120 Volt AC, 20A duplex receptacle is provided with "push to reset" circuit breakers to protect the generator against electrical overload.

Cord Sets and Receptacles

Use only high quality, well-insulated, grounded extension cords with the generator's 120 Volt duplex receptacle. Inspect extension cords before each use.

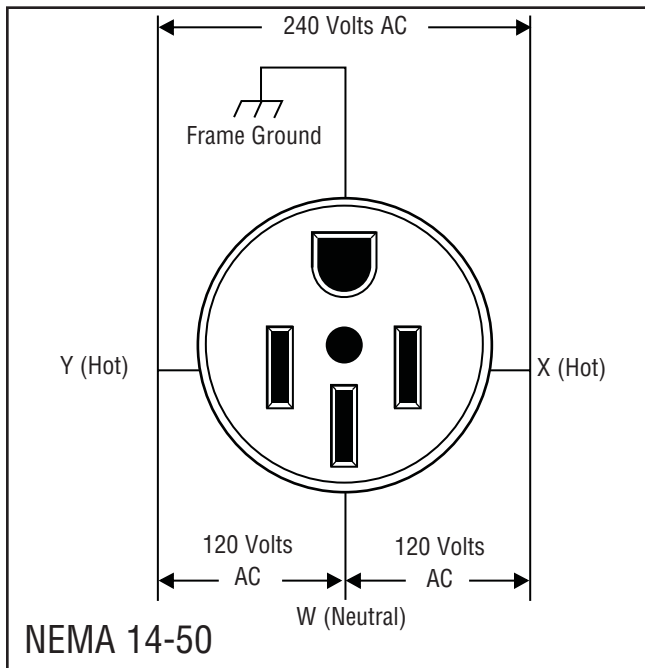
Check the ratings of all extension cords before you use them. Extension cord sets used should be rated for 125 Volt AC loads at 20 Amps or greater for most electrical devices. Some devices, however, may not require this type of extension cord. Check the operator's manuals of those devices for the manufacturer's recommendations.

Keep extension cords as short as possible to minimize voltage drop.

⚠ WARNING	
	Overloaded electrical cords can overheat, arc, and burn resulting in death, bodily injury, and/or property damage.
<ul style="list-style-type: none"> • ONLY use cords rated for your loads. • Follow all safeties on electrical cords. 	

120/240 Volt AC, 50 Amp Receptacle

Use a NEMA 14-50 plug with this receptacle. Connect a 4-wire cord set rated for 250 Volt AC loads at 50 Amps to the plug.

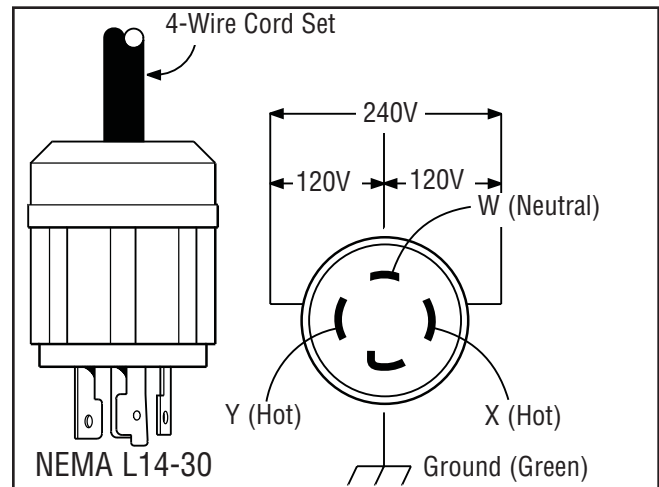


This receptacle powers 120/240 Volt AC, 60 Hz, single phase loads requiring up to 10,000 watts of power (10.0 kW) at 41.6 Amps for 240 Volts or two independent 120 Volt loads. The outlet is protected by a 2 pole GFCI circuit breaker.

NOTICE	
Receptacles may be marked with rating value greater than generator output capacity.	
<ul style="list-style-type: none"> • NEVER attempt to power a device requiring more amperage than generator or receptacle can supply. • DO NOT overload the generator. See <i>Don't Overload Generator</i>. 	

120/240 Volt AC, 30 Amp, Locking Receptacle

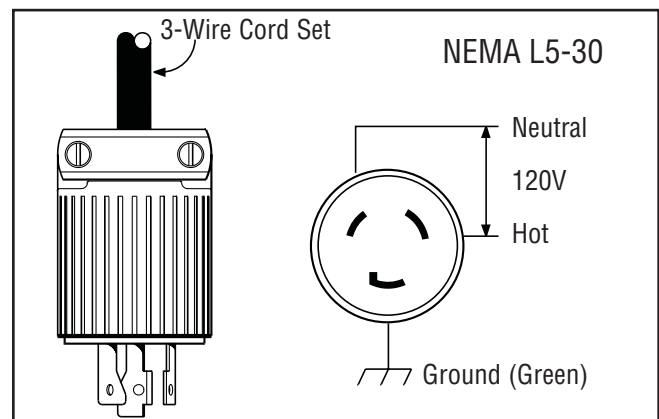
Use a NEMA L14-30 plug with this receptacle. Connect a 4-wire cord set rated for 250 Volt AC loads at 30 Amps (or greater). You can use the same 4-wire cord if you plan to run a 120 Volt load.



This receptacle powers 120/240 Volt AC, 60 Hz, single phase loads requiring up to 7,200 watts of power (7.2 kW) at 30 Amps for 240 Volts or two independent 120 Volt loads at 30 Amps each. The outlet is protected by a rocker switch circuit breaker and/or a 2 pole GFCI circuit breaker.

120 Volt AC, 30 Amp Locking Receptacle

Use a NEMA L5-30 plug with this receptacle. Connect a 3-wire cord set rated for 125 Volt AC loads at 30 Amps to the plug.

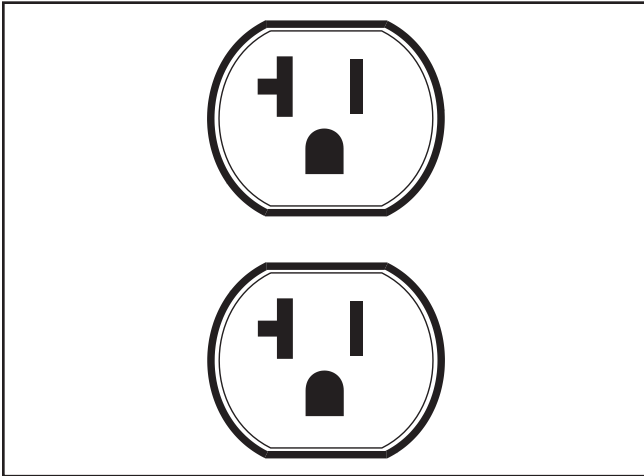


Use this receptacle to operate 120 Volt AC, 60 Hz, single phase loads requiring up to 3,600 watts (3.6 kW) of power at 30 Amps. The outlet is protected by a rocker switch circuit breaker and/or a 2 pole GFCI circuit breaker.

Controls

120 Volt AC, 20 Amp, Duplex Receptacles

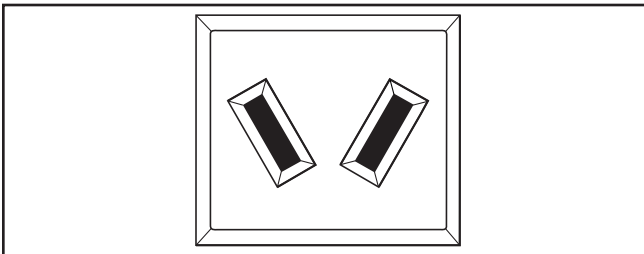
The duplex receptacle is protected against overload by a push-to-reset circuit breaker and/or a 2 pole GFCI circuit breaker.



Use each receptacle to operate 120 Volt AC, single-phase, 60 Hz electrical loads requiring up to 2,400 watts (2.4 kW) at 20 Amps of current. Use cord sets that are rated for 125 Volt AC loads at 20 Amps (or greater). Inspect cord sets before each use.

12 Volt DC, 10 Amp Receptacle

This receptacle allows you to recharge a 12 Volt automotive or utility style storage battery with the battery charge cables provided.



This receptacle can not recharge 6 Volt batteries and can not be used to crank an engine having a discharged battery. See the section *Charging a Battery* before attempting to recharge a battery.

Ground Fault Protection

This unit is equipped with a Ground Fault Circuit Interrupter (GFCI). This device meets applicable federal, state and local codes.

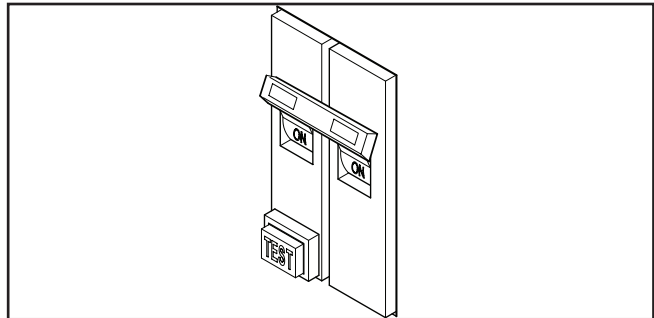
The GFCI protects against electrical shock that may be caused if your body becomes a path which electricity travels to reach ground. This could happen if you touch a "Live" appliance or wire, or are touching plumbing or other materials that connect to the ground.

When protected by a GFCI, one may still feel a shock, but the GFCI should cut current off quickly enough so that a person in normal health should not suffer any serious electrical injury.

⚠ WARNING	
	Generator produces hazardous voltage/current.
<ul style="list-style-type: none"> The GFCI will not protect you against the following situations: <ul style="list-style-type: none"> -Line-to-line shocks; -Current overloads or line-to-line short circuits. The fuse or circuit breaker at the control panel must provide such protection. 	

Test GFCI Circuit Breaker

Test your GFCI circuit breaker every month, as follows:



- While generator is running, push white "Test" button. The circuit breaker should trip (handle will move to approximate center position), which will disconnect power to outlets.

⚠ CAUTION	
If circuit breaker does not trip:	
<ul style="list-style-type: none"> DO NOT use generator. Call a Briggs & Stratton Power Products service center. 	

- If handle moves to center, reset circuit breaker by firmly moving handle to "Off" (down) position, then to "On" (up) position.

⚠ CAUTION	
If circuit breaker does not reset properly:	
<ul style="list-style-type: none"> DO NOT use generator. Call a Briggs & Stratton Power Products service center. 	

During Generator Use

If circuit breaker trips during use, it usually indicates faulty electrical equipment or cords. However, test the circuit breaker as follows;

1. Disconnect loads, reset and test circuit breaker as described earlier. Let generator run without any loads for 1 minute.



CAUTION

If circuit breaker trips in the 1 minute period:

- DO NOT use generator.
 - Call a Briggs & Stratton Power Products service center.
2. If circuit breaker tests correctly, the electrical equipment or extension cords may be faulty. Replace faulty electrical equipment and cords before further use.



CAUTION

If circuit breaker tests correctly:

- Have qualified personnel check all electrical equipment and cords for any defects.
- Replace electrical equipment and cords or take to a qualified repair center.



WARNING



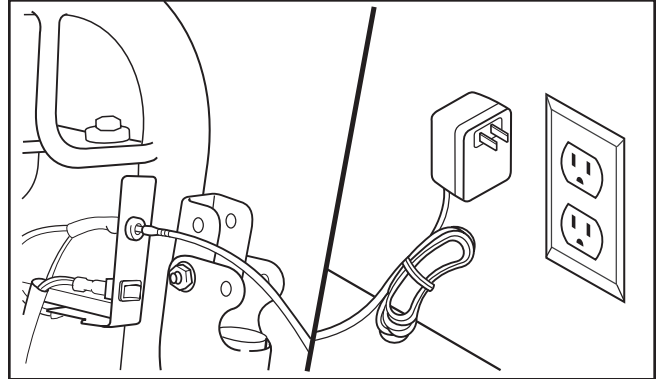
Generator produces hazardous voltage.

- DO NOT touch bare wires or receptacles.
- DO NOT use generator with electrical cords which are worn, frayed, bare or otherwise damaged.
- DO NOT operate generator in the rain or wet weather.
- DO NOT handle generator or electrical cords while standing in water, while barefoot, or while hands or feet are wet.
- DO NOT allow unqualified persons or children to operate or service generator or electrical loads.

Battery Charger

Use battery float charger jack to keep the starting battery charged and ready for use. Battery charging should be done in a dry location, such as inside a garage.

1. Plug charger into unit's "Battery Float Charger" jack, which is located next to the start switch. Plug battery charger into a 120 Volt AC wall receptacle.



2. Unplug charger from unit and wall outlet when generator is being started and while it is in operation.
3. Keep this charger plugged in when generator is not in use to prolong battery life. The charger has a built in float equalizer and will not overcharge the battery, even when plugged in for an extended period of time.

IMPORTANT: See *Battery Maintenance* for additional information.

Operation

Starting the Engine

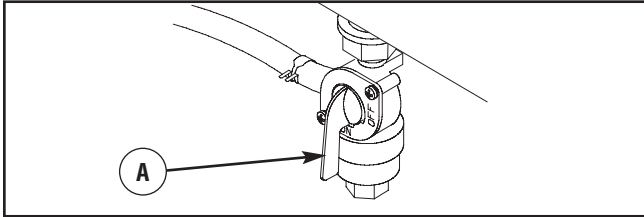
IMPORTANT: Always unplug the battery float charger before starting the generator.

Disconnect all electrical loads from the generator. Use the following start instructions:

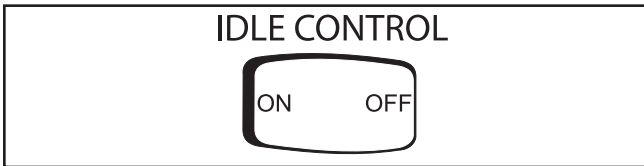
1. Make sure unit is on a level surface.

IMPORTANT: Failure to start and operate the unit on a level surface will cause the unit not to start or shut down during operation.

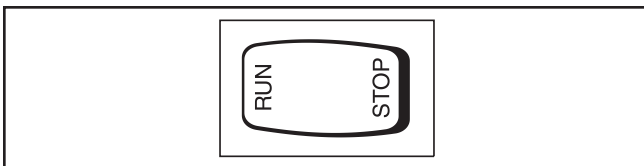
2. Turn the fuel valve (A) to the "On" position.



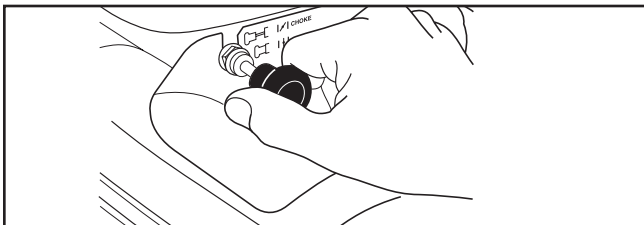
3. Make sure idle control switch is in "Off" position.



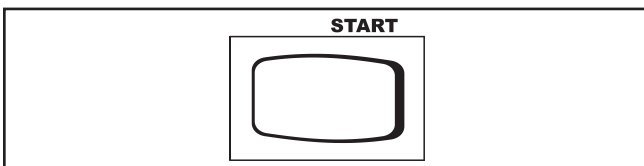
4. Set run/stop switch to "Run" position.



5. Pull choke control out to close choke.



- 6A. **For electric starting**, push and hold the start switch in "Start" position until generator starts. To prolong the life of starter components, DO NOT hold start switch in "Start" position for more than 15 seconds, and pause for at least 1 minute between starting attempts.



- If engine starts, proceed to step 8.
- If engine fails to start, proceed to step 7.

NOTE: If battery is discharged, use manual starting instructions.

- 6B. **For manual starting**, grasp recoil handle and pull slowly until slight resistance is felt. Then pull rapidly one time only to start engine.

WARNING



Starter cord kickback (rapid retraction) can result in bodily injury. Kickback will pull hand and arm toward engine faster than you can let go.

Broken bones, fractures, bruises, or sprains could result.

- When starting engine, pull cord slowly until resistance is felt and then pull rapidly to avoid kickback.
- NEVER start or stop engine with electrical devices plugged in and turned on.

- If engine starts, proceed to step 8.
- If engine fails to start, proceed to step 7.

7. Push in the choke handle half way, and pull recoil handle twice or push and hold the start switch in the "Start" position as described in step 6A.

- If engine fails to start, repeat steps 5 thru 6.

8. Open the choke gradually as the engine warms up by pushing in on the choke handle.

IMPORTANT: If engine floods, push choke handle all the way in and crank until engine starts.

NOTE: If engine starts after 3 pulls but fails to run, or if unit shuts down during operation, make sure unit is on a level surface and check for proper oil level in crankcase. This unit may be equipped with a low oil protection device. If so, oil must be at proper level for engine to start.

WARNING



Contact with muffler area can result in serious burns.



Exhaust heat/gases can ignite combustibles, structures or damage fuel tank causing a fire.

- DO NOT touch hot parts and AVOID hot exhaust gases.
- Allow equipment to cool before touching.
- Keep at least 5 feet (1.5 m) of clearance on all sides of generator including overhead.
- Code of Federal Regulation (CFR) Title 36 Parks, Forests, and Public Property require equipment powered by an internal combustion engine to have a spark arrester, maintained in effective working order, complying to USDA Forest service standard 5100-1C or later revision. In the State of California a spark arrester is required under section 4442 of the California Public resources code. Other states may have similar laws.

Connecting Electrical Loads

1. Let engine stabilize and warm up for a few minutes after starting.
2. Plug in and turn on the desired 120 and/or 240 Volt AC, single phase, 60 Hz electrical loads.

NOTE:

- DO NOT connect 240 Volt loads to the 120 Volt duplex receptacles.

- DO NOT connect 3-phase loads to the generator.
- DO NOT connect 50 Hz loads to the generator.
- DO NOT OVERLOAD THE GENERATOR. See *Don't Overload Generator*.

NOTICE

Exceeding generators wattage/amperage capacity can damage generator and/or electrical devices connected to it.

- DO NOT exceed the generator's wattage/amperage capacity. See *Don't Overload Generator* in the *Operation* section.
- Start generator and let engine stabilize before connecting electrical loads.
- Connect electrical loads in OFF position, then turn ON for operation.
- Turn electrical loads OFF and disconnect from generator before stopping generator.

Stopping the Engine

1. Turn OFF and unplug **all** electrical loads from generator panel receptacles. NEVER start or stop engine with electrical devices plugged in and turned ON.
2. Move idle control switch to "Off" position.
3. Let engine run at no-load for several minutes to stabilize internal temperatures of engine and generator.
4. Push run/stop switch to "Stop" position.



WARNING



Backfire, fire or engine damage could occur.

- DO NOT stop engine by moving choke control to "Choke" position.

5. Move fuel valve to "Off" position.

Operating Automatic Idle Control

This feature is designed to greatly improve fuel economy. **When this switch is turned ON**, the engine will only run at its normal high governed engine speed when electrical loads are connected. When electrical loads are removed, the engine will run at a reduced speed.

With the switch off, the engine will run at the normal high engine speed. **Always have the switch off when starting and stopping the engine.**

Oil Pressure Shutdown

If engine oil pressure drops below a preset level, an oil switch will stop the engine. Check oil level with dipstick.

If oil level is between ADD and FULL mark on dipstick:

1. DO NOT try to restart the engine.
2. Contact an Authorized Briggs & Stratton Service Dealer.
3. DO NOT operate engine until oil pressure is corrected.

If oil level is below ADD mark on dipstick:

1. Add oil to bring level to FULL mark.
2. Restart engine and if the engine stops again a low oil pressure condition may still exist. DO NOT try to restart the engine.

3. Contact an Authorized Briggs & Stratton Service Dealer.
4. DO NOT operate engine until oil pressure is corrected.

Charging a Battery

Your generator has the capability of recharging a discharged 12 Volt automotive or utility style storage battery.

- DO NOT use the unit to charge any 6 Volt batteries.
- DO NOT use the unit to crank an engine having a discharged battery.



DANGER



Storage batteries give off explosive hydrogen gas during recharging.

Hydrogen gas stays near battery for a long time after battery has been charged.

Slightest spark will ignite hydrogen and cause explosion.

You can be blinded or severely injured.



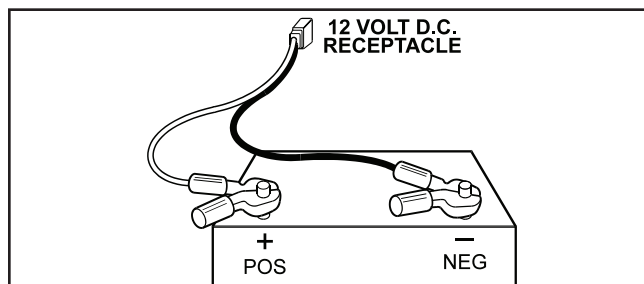
Battery electrolyte fluid contains acid and is extremely caustic.

Contact with battery fluid will cause severe chemical burns.

- DO NOT allow any open flame, spark, heat, or lit cigarette during and for several minutes after charging a battery.
- Wear protective goggles, rubber apron, and rubber gloves.

To recharge 12 Volt batteries, proceed as follows:

1. Check fluid level in all battery cells. If necessary, add **ONLY** distilled water to cover separators in battery cells. **DO NOT use tap water.**
2. If battery is equipped with vent caps, make sure they are installed and are tight.
3. If necessary, clean battery terminals.
4. Connect battery charge cable connector plug to panel receptacle identified by the words "12V 10A D.C."
5. Connect battery charge cable clamp with **red** handle to the **positive (+)** battery terminal.



6. Connect battery charge cable clamp with **black** handle to the **negative (-)** battery terminal.
7. Start engine. Let engine run while battery recharges.
8. When battery has charged, shut down engine

NOTE: Use an automotive hydrometer to test battery state of charge and condition. Follow the hydrometer manufacturer's instructions carefully. Generally, a battery is considered to be at 100% state of charge when specific gravity of its fluid (as measured by hydrometer) is 1.260 or higher.

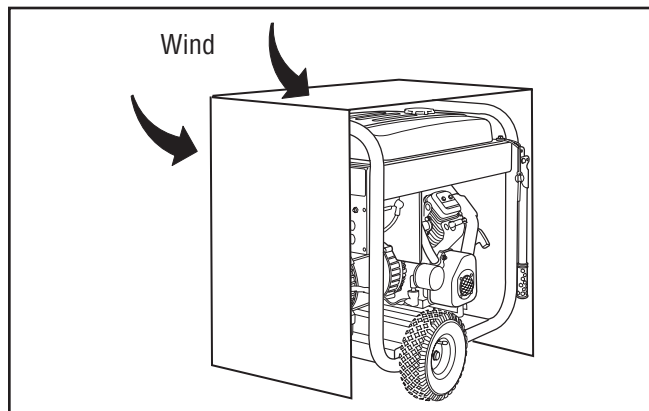
Cold Weather Operation

Under certain weather conditions (temperatures below 40°F [4°C] combined with high humidity), your generator may experience icing of the carburetor and/or the crankcase breather system. To reduce this problem, you need to perform the following:

1. Make sure generator has clean, fresh fuel.
2. Open fuel valve (turn valve to open position).
3. Use SAE 5W-30 oil.
4. Check oil level daily or after every eight (8) hours of operation.
5. Maintain generator following *Maintenance Schedule* in *Maintenance* section.
6. Shelter unit from elements.

Creating a Temporary Cold Weather Shelter

1. For temporary shelter, the original shipping carton can be used.
2. Cut off top carton flaps and one long side of carton to expose muffler side of unit. If required, tape up other sides of carton to fit over generator as shown.



NOTE: If required, remove wheel kit to fit carton over generator as shown.

3. Cut appropriate slots to access receptacles of unit.
4. Face exposed end away from wind and elements.
5. Locate generator as described in the section *Generator Location*. Keep exhaust gas from entering a confined area through windows, doors, ventilation intakes or other openings.

⚠ WARNING	
	Running engine gives off carbon monoxide, an odorless, colorless, poison gas. Breathing carbon monoxide can cause headache, fatigue, dizziness, vomiting, confusion, seizures, nausea, fainting or death.
<ul style="list-style-type: none">• Operate generator ONLY outdoors.• Install a battery operated carbon monoxide alarm near the bedrooms.• Keep exhaust gas from entering a confined area through windows, doors, ventilation intakes, or other openings.• DO NOT start or run engine indoors or in an enclosed area, (even if windows and doors are open), including the generator compartment of a recreational vehicle (RV).	

6. Start generator as described in the section *Starting the Engine*, then place carton over generator. Keep at least 5 ft. (1.5 m) clearance on all sides of generator including overhead with shelter in place.

⚠ WARNING	
	Contact with muffler area can result in serious burns.
	Exhaust heat/gases can ignite combustibles, structures or damage fuel tank causing a fire.
<ul style="list-style-type: none">• DO NOT touch hot parts and AVOID hot exhaust gases.• Allow equipment to cool before touching.• Keep at least 5 feet (1.5 m) of clearance on all sides of generator including overhead with shelter in place.• Remove shelter when temperatures are above 40°F [4°C].	

7. Remove shelter when temperatures are above 40°F [4°C].
8. Turn engine OFF and let cool two (2) minutes before refueling. Let any spilled fuel evaporate before starting engine.

Building a Cold Weather Shelter

1. Using non combustible material with a fire rating of at least one hour, build a shelter that will enclose three sides and the top of the generator. Make sure muffler side of generator is exposed.

NOTE: Contact your local building material supplier for non combustible materials with a fire rating of at least one hour.

IMPORTANT: Be sure shelter can easily be repositioned for change in wind direction.

2. DO NOT enclose generator any more than shown. Shelter should hold enough heat created by the generator to prevent icing problem.

NOTE: If a wheel kit is installed on the generator, enlarge shelter accordingly.

3. Follow steps 3 through 8 as described previously in *Creating a Temporary Cold Weather Shelter*.

Don't Overload Generator

Capacity

You must make sure your generator can supply enough rated (running) and surge (starting) watts for the items you will power at the same time. Follow these simple steps:

1. Select the items you will power at the same time.
2. Total the rated (running) watts of these items. This is the amount of power your generator must produce to keep your items running. See the table on the right.
3. Estimate how many surge (starting) watts you will need. Surge wattage is the short burst of power needed to start electric motor-driven tools or appliances such as a circular saw or refrigerator. Because not all motors start at the same time, total surge watts can be estimated by adding only the item(s) with the highest additional surge watts to the total rated watts from step 2.

Example:

Tool or Appliance	Running (Rated) Watts	Additional Starting (Surge) Watts
Water Well Pump	1200	2100
Refrigerator	700	2200
Furnace Fan	800	2350
Television	500	—
Light (75 Watts)	75	—
	3275 Total Running Watts	2350 Highest Starting Watts

Total Rated (Running) Watts = 3275
 Highest Additional Surge Watts = 2350
 Total Generator Output Required = 5625

Power Management

To prolong the life of your generator and attached devices, it is important to take care when adding electrical loads to your generator. There should be nothing connected to the generator outlets before starting its engine. The correct and safe way to manage generator power is to sequentially add loads as follows:

1. With nothing connected to the generator, start the engine as described in this manual.
2. Plug in and turn on the first load, preferably the largest load you have.
3. Permit the generator output to stabilize (engine runs smoothly and attached device operates properly).
4. Plug in and turn on the next load.
5. Again, permit the generator to stabilize.
6. Repeat steps 4 and 5 for each additional load.

Wattage Reference Guide		
Tool or Appliance	Running* (Rated) Watts	Additional Starting (Surge) Watts
Essentials		
Light Bulb - 75 watt	75	—
Furnace Fan Blower - 1/2 HP	800	2350
Sump Pump - 1/3 HP	800	1300
Refrigerator/Freezer	700	2200
Water Well Pump - 1/2 HP	1000	2100
Heating/Cooling		
Window AC - 10,000 BTU	1200	3600
Humidifier - 13 Gal	175	—
Central AC - 24,000 BTU	3800	11400
Kitchen		
Microwave Oven - 1000 Watt	1000	—
Coffee Maker	1000	—
Electric Stove - 8" Element	2100	—
Toaster	850	—
Family Room		
DVD/CD Player	100	—
VCR	100	—
Stereo Receiver	450	—
Color Television - 27 in	500	—
Personal Computer w/17 in monitor	800	—
Other		
Security System	500	—
AM/FM Clock Radio	100	—
Garage Door Opener - 1/2 HP	875	2350
Electric Water Heater	4700	11700
DIY/Job Site		
Quartz Halogen Work Light	1000	—
Airless Sprayer - 1/3 HP	600	1200
Reciprocating Saw	960	—
Electric Drill - 1/2 HP, 5.4 Amps	600	900
Circular Saw - 7-1/4 in	1400	2300
Miter Saw - 10 in	1800	1800
Table Planer - 6 in	1800	1800
Table Saw/Radial Arm Saw - 10 in	2000	2000
Air Compressor - 1 HP	1600	4500

Operation

NEVER add more loads than the generator capacity. Take special care to consider surge loads in generator capacity, as described above.

* Wattages listed are approximate only. Check tool or appliance for actual wattage.

Maintenance

Maintenance Schedule

Follow the hourly or calendar intervals, whichever occurs first. More frequent service is required when operating in adverse conditions noted below.

First 8 Hours
<ul style="list-style-type: none">• Change engine oil
Every 8 Hours or Daily
<ul style="list-style-type: none">• Clean debris• Check engine oil level
Every 25 Hours or Yearly
<ul style="list-style-type: none">• Service engine air cleaner pre-filter¹
Every 50 Hours or Yearly
<ul style="list-style-type: none">• Service spark arrester
Every 100 Hours or Yearly
<ul style="list-style-type: none">• Service engine air cleaner paper filter¹• Service fuel filter• Service spark plugs• Change engine oil and filter²• Clean cooling system¹
Every 250 Hours or Yearly
<ul style="list-style-type: none">• Check valve clearance

¹ Service more often under dirty or dusty conditions.

² Change engine oil every 50 hours if you are using your generator under heavy load, or in extremely hot weather.

General Recommendations

Regular maintenance will improve the performance and extend the life of the generator. See any authorized dealer for service.

The generator's warranty does not cover items that have been subjected to operator abuse or negligence. To receive full value from the warranty, the operator must maintain the generator as instructed in this manual.

Some adjustments will need to be made periodically to properly maintain your generator.

All service and adjustments should be made at least once each season. Follow the requirements in the Maintenance Schedule chart above.

NOTE: Once a year you should clean or replace the spark plug and replace the air filter. New spark plugs and clean air filter assure proper fuel-air mixture and help your engine run better and last longer.

Emissions Control

Maintenance, replacement, or repair of the emissions control devices and systems may be performed by any non-road engine repair establishment or individual.

However, to obtain "no charge" emissions control service, the work must be performed by a factory authorized dealer. See the *Emissions Warranty*.

Generator Maintenance

Generator maintenance consists of keeping the unit clean and dry. Operate and store the unit in a clean dry environment where it will not be exposed to excessive dust, dirt, moisture, or any corrosive vapors. Cooling air slots in the generator must not become clogged with snow, leaves, or any other foreign material.

NOTE: DO NOT use water or other liquids to clean generator. Liquids can enter engine fuel system, causing poor performance and/or failure to occur. In addition, if liquid enters generator through cooling air slots, some of the liquid will be retained in voids and cracks of the rotor and stator winding insulation. Liquid and dirt buildup on the generator internal windings will eventually decrease the insulation resistance of these windings.

Cleaning

Daily or before use, look around and underneath the generator for signs of oil or fuel leaks. Clean accumulated debris from inside and outside the generator. Keep the linkage, spring and other engine controls clean. Keep the area around and behind the muffler free from any combustible debris. Inspect cooling air slots and openings on generator. These openings must be kept clean and unobstructed.

Engine parts should be kept clean to reduce the risk of overheating and ignition of accumulated debris:

- Use a damp cloth to wipe exterior surfaces clean.

NOTICE

Improper treatment of generator can damage it and shorten its life.

- DO NOT expose generator to excessive moisture, dust, dirt, or corrosive vapors.
- DO NOT insert any objects through cooling slots.

- Use a soft bristle brush to loosen caked on dirt or oil.
- Use a vacuum cleaner to pick up loose dirt and debris.

Battery Maintenance

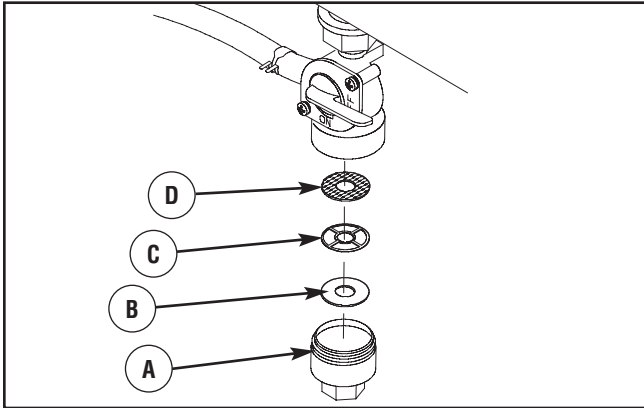
Other than float charging, described elsewhere, no maintenance is required for the starting battery. Keep the battery and terminals clean and dry.

IMPORTANT: Battery charging should be performed in a dry location, such as inside a garage.

Fuel Valve Maintenance

The fuel valve is equipped with a fuel sediment cup, screen, retaining ring and o-ring that need to be cleaned every 100 hours or once a year (whichever occurs first).

1. Move fuel valve to "Off" position.
2. Remove sediment cup (A) from fuel valve. Remove o-ring (B), retaining ring (C) and screen (D) from fuel valve.



3. Wash sediment cup, o-ring, retaining ring, and screen in a nonflammable solvent. Dry them thoroughly.
4. Place screen, retaining ring, and o-ring into fuel valve. Install sediment cup and tighten securely.
5. Move fuel valve to "On" position, and check for leaks. Replace o-ring if there is any leakage.

Engine Maintenance

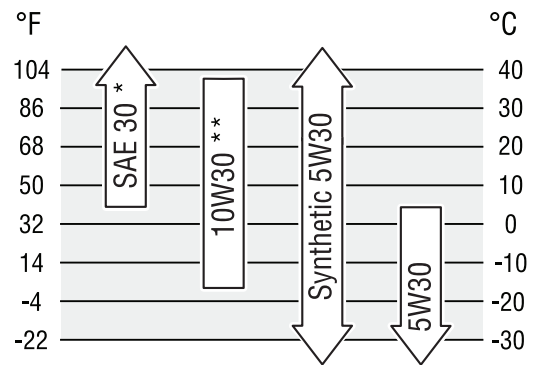
WARNING	
	Unintentional sparking can result in fire or electric shock.
WHEN ADJUSTING OR MAKING REPAIRS TO YOUR GENERATOR	
<ul style="list-style-type: none"> • Disconnect the spark plug wire from the spark plug and place the wire where it cannot contact spark plug. 	
WHEN TESTING FOR ENGINE SPARK	
<ul style="list-style-type: none"> • Use approved spark plug tester. • DO NOT check for spark with spark plug removed. 	

Oil

Oil Recommendations

We recommend the use of Briggs & Stratton Warranty Certified oils for best performance. Other high-quality detergent oils are acceptable if classified for service SF, SG, SH, SJ or higher. DO NOT use special additives.

Outdoor temperatures determine the proper oil viscosity for the engine. Use the chart to select the best viscosity for the outdoor temperature range expected.



* Below 40°F (4°C) the use of SAE 30 will result in hard starting.

** Above 80°F (27°C) the use of 10W30 may cause increased oil consumption. Check oil level more frequently.

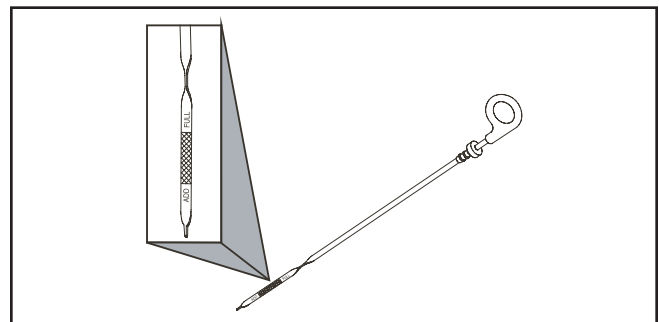


NOTE: Synthetic oil meeting ILSAC GF-2, API certification mark and API service symbol with "SJ/CF ENERGY CONSERVING" or higher, is an acceptable oil at all temperatures. Use of synthetic oil does not alter required oil change intervals.

Checking Oil Level

Oil level should be checked prior to each use or at least every 8 hours of operation. Keep oil level maintained.

1. Make sure generator is on a level surface.
2. Clean area around oil dipstick, remove oil dipstick and wipe dipstick with clean cloth. Insert dipstick firmly, then remove and check oil level.
3. Verify oil is at "Full" mark on dipstick. Insert dipstick firmly before starting engine.



Adding Engine Oil

1. Make sure generator is on a level surface.
2. Check oil level as described in *Checking Oil Level*.
3. If needed, remove oil fill cap and slowly pour oil into oil fill opening to the "Full" mark on dipstick. DO NOT overfill.

NOTICE

Overfilling with oil may cause the engine to not start, or hard starting.

- DO NOT overfill.
- If over the FULL mark on dipstick, drain oil to reduce oil level to FULL mark on dipstick.

4. Replace and tighten both the oil fill cap and dipstick.

Changing Engine Oil and Filter

Change the oil after the first 8 hours of operation. Change oil and filter every 100 hours or yearly, whichever comes first, thereafter. If you are using your generator under heavy load, or in extremely hot weather, change the oil every 50 hours.

CAUTION

Avoid prolonged or repeated skin contact with used motor oil.

- Used motor oil has been shown to cause skin cancer in certain laboratory animals.
- Thoroughly wash exposed areas with soap and water.



KEEP OUT OF REACH OF CHILDREN. DON'T POLLUTE. CONSERVE RESOURCES. RETURN USED OIL TO COLLECTION CENTERS.

Change the oil while the engine is still warm from running, as follows:

1. Make sure unit is on a level surface.
2. Disconnect the spark plug wires from the spark plug and place the wire where it cannot contact spark plugs.
3. Clean area around oil drain plug. The oil drain plug is located at base of engine.
4. Remove oil drain plug and oil fill cap and drain oil completely into a suitable container.
5. Reinstall oil drain plug and tighten securely.
6. Place a suitable container beneath oil filter and turn filter counterclockwise to remove.
7. Lightly coat gasket of a new filter with fresh engine oil. Turn new filter clockwise until gasket contacts filter adapter, then tighten an additional 3/4 turn.
8. Remove oil dipstick.
9. Slowly pour 32 oz. (1 liter) of recommended oil into oil fill opening.
10. Start and run engine for 30 seconds. Shut engine off and wait 30 seconds for oil to settle.
11. Add more oil to "Full" mark on dipstick. Wipe dipstick clean each time oil level is checked. DO NOT overfill.

NOTE: Engine holds approximately 48 oz. (1.4 liters) when changing oil and filter.

12. Reinstall oil fill cap and oil dipstick. Tighten oil fill cap securely.
13. Wipe up any spilled oil.
14. Reconnect spark plug wires to spark plugs.

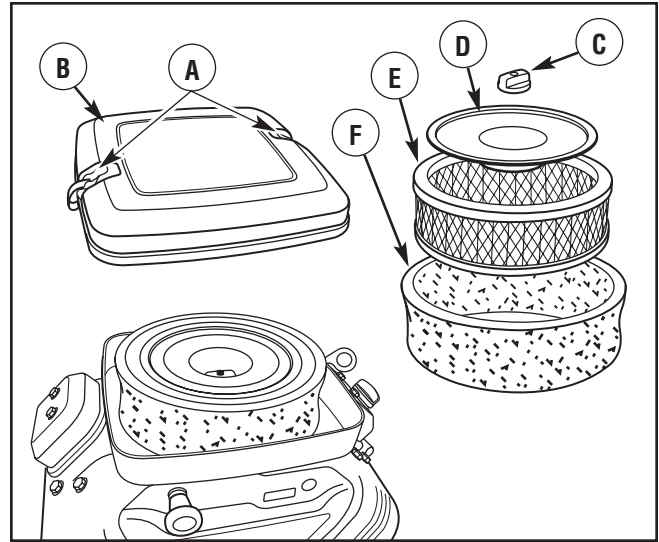
Service Air Cleaner

Your engine will not run properly and may be damaged if you run it with a dirty air cleaner.

Clean or replace the foam pre-filter every 25 hours of operation or sooner under dusty or dirty conditions. Clean or replace the paper air filter every 100 hours of operation or yearly, whichever comes first. Clean or replace more often if operating under dusty or dirty conditions.

To service the air cleaner, follow these steps:

1. Unhook latches (A) on both sides of cover (B) and remove cover.

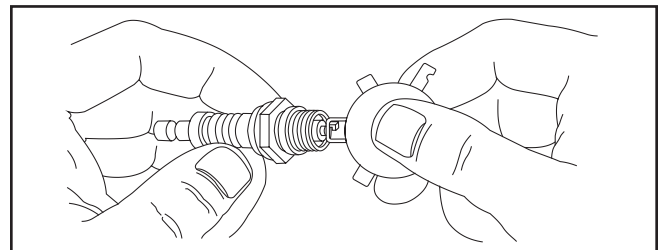


2. Remove knob (C) and plate (D). Carefully remove air cleaner assembly to prevent debris from entering carburetor.
3. Slide foam pre-cleaner (F) off cartridge (E) and wash pre-cleaner in liquid detergent and water.
4. Squeeze the pre-cleaner dry with a clean cloth. DO NOT TWIST.
5. Tap cartridge gently on a solid surface to loosen and remove trapped particles.
6. Reassemble clean (or new) pre-cleaner on clean (or new) cartridge.
7. Install clean (or new) air cleaner assembly inside cover. Dispose of old filter properly.
8. Reinstall knob and plate.
9. Replace cover and reattach latches to cover.

Service Spark Plugs

Change the spark plugs every 100 hours of operation or once each year, whichever comes first. This will help your engine to start easier and run better.

1. Clean area around spark plugs.
2. Remove and inspect spark plugs.
3. Check electrode gap with wire feeler gauge and reset spark plug gap to recommended gap if necessary (see *Specifications*).





4. Replace spark plugs if electrodes are pitted, burned or porcelain is cracked. Use the recommended replacement spark plugs. See *Specifications*.
5. Install spark plugs and tighten firmly.

Service Spark Arrester

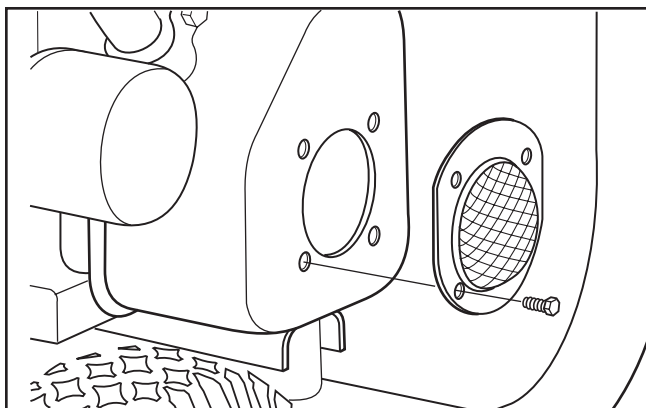
The engine exhaust muffler has a spark arrester screen. Inspect and clean the screen every 50 hours of operation or once each year, whichever comes first.

If you use your generator on any forest-covered, brush-covered, or grass-covered unimproved land, it must have a spark arrester. The spark arrester must be maintained in good condition by the owner/operator.

⚠ WARNING	
	Contact with muffler area can result in serious burns.
	Exhaust heat/gases can ignite combustibles, structures or damage fuel tank causing a fire.
<ul style="list-style-type: none"> • DO NOT touch hot parts and AVOID hot exhaust gases. • Allow equipment to cool before touching. • Keep at least 5 feet (1.5 m) of clearance on all sides of generator including overhead. • Code of Federal Regulation (CFR) Title 36 Parks, Forests, and Public Property require equipment powered by an internal combustion engine to have a spark arrester, maintained in effective working order, complying to USDA Forest service standard 5100-1C or later revision. In the State of California a spark arrester is required under section 4442 of the California Public resources code. Other states may have similar laws. 	

Clean and inspect the spark arrester as follows:

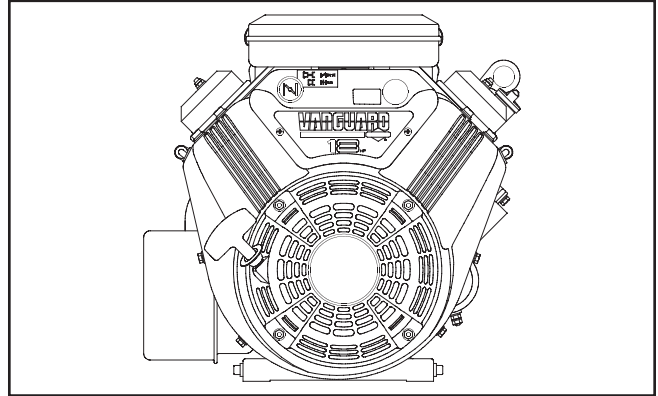
1. Remove four screws that attach the spark arrester screen.



2. Inspect screen and replace if torn, perforated or otherwise damaged. DO NOT USE a defective screen. If screen is not damaged, clean it with commercial solvent.
3. Reattach the screen with four screws.

Clean Cooling System

Over time debris may accumulate in cylinder cooling fins and cannot be observed without partial engine disassembly. For this reason, we recommend you have an authorized service dealer clean the cooling system per recommended intervals (see *Maintenance Schedule* in the *Maintenance* section). Equally important is to keep top of engine free from debris. Also see *Cleaning*.



Check Valve Clearance

Regular valve clearance check and adjustment will improve performance and extend engine life. This procedure cannot be done without partial engine disassembly and the use of special tools. For this reason we recommend that you have an authorized Service Dealer check and adjust valve clearance at recommended intervals (see *Maintenance Schedule* in the *Maintenance* section).

Carburetor Adjustment

The carburetor on this engine is low emission. It is equipped with a non-adjustable idle mixture valve. Top speed has been set at the factory. If adjustment is required, see an authorized service dealer.

⚠ CAUTION	
Excessively high operating speeds increase risk of injury and damage to generator.	
Excessively low speeds impose a heavy load.	
<ul style="list-style-type: none"> • DO NOT tamper with governed speed. Generator supplies correct rated frequency and voltage when running at governed speed. • DO NOT modify generator in any way. 	

Storage

The generator should be started at least once every seven days and allowed to run at least 30 minutes. If this cannot be done and you must store the unit for more than 30 days, use the following guidelines to prepare it for storage.

Generator Storage




- Clean the generator as outlined in *Cleaning* in the *Maintenance* section.
- Check that cooling air slots and openings on generator are open and unobstructed.

Long Term Storage Instructions

Fuel can become stale when stored over 30 days. Stale fuel causes acid and gum deposits to form in the fuel system or on essential carburetor parts. To keep fuel fresh, use Briggs & Stratton FRESH START™ fuel stabilizer, available as a liquid additive or a drip concentrate cartridge.

There is no need to drain gasoline from the engine if a fuel stabilizer is added according to instructions. Run the engine for 2 minutes to circulate the stabilizer throughout the fuel system. The engine and fuel can then be stored up to 24 months.

If gasoline in the engine has not been treated with a fuel stabilizer, it must be drained into an approved container. Run the engine until it stops from lack of fuel. The use of a fuel stabilizer in the storage container is recommended to maintain freshness.



 WARNING	
	Fuel and its vapors are extremely flammable and explosive.
	Fire or explosion can cause severe burns or death.
WHEN STORING FUEL OR EQUIPMENT WITH FUEL IN TANK	
<ul style="list-style-type: none">• Store away from furnaces, stoves, water heaters, clothes dryers or other appliances that have pilot light or other ignition source because they can ignite fuel vapors.	
WHEN DRAINING FUEL	
<ul style="list-style-type: none">• Turn generator OFF and let it cool at least 2 minutes before removing fuel cap. Loosen cap slowly to relieve pressure in tank.• Drain fuel tank outdoors.• Keep fuel away from sparks, open flames, pilot lights, heat, and other ignition sources.• DO NOT light a cigarette or smoke.	

Change Oil

While engine is still warm, drain oil from crankcase. Refill with recommended grade.



Oil Cylinder Bore

- Remove spark plug and pour about 1 ounce (30 ml) of clean engine oil into the cylinder.
- Install spark plug and pull starter handle slowly to distribute oil.

 WARNING	
	Unintentional sparking can result in fire or electric shock.
<ul style="list-style-type: none">• NEVER crank engine with spark plug removed.	

Other Storage Tips

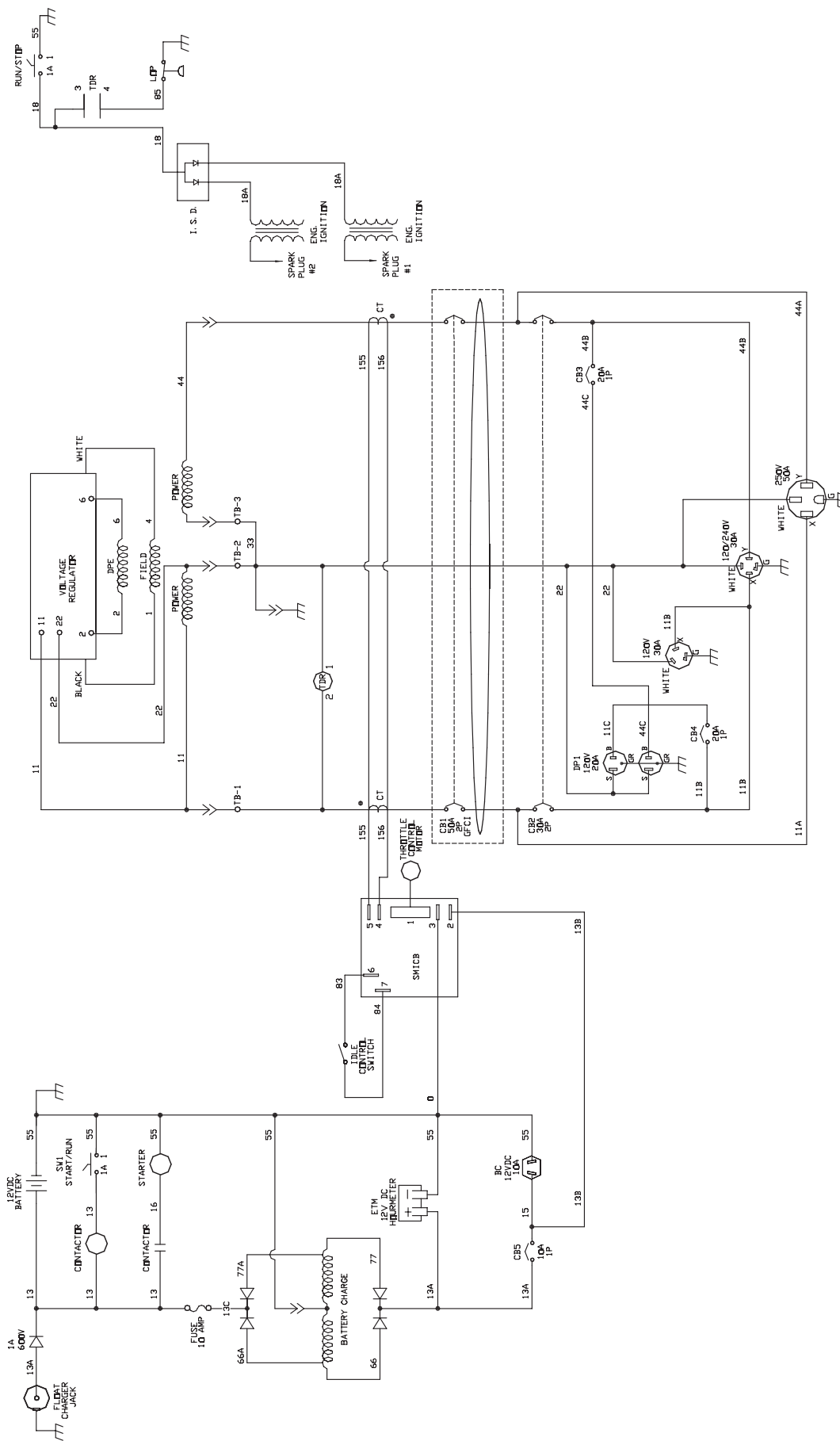
1. DO NOT store fuel from one season to another unless it has been treated as described in *Protect Fuel System*.
2. Replace fuel can if it starts to rust. Contaminated fuel will cause engine problems.
3. If possible, store unit indoors and cover it to give protection from dust and dirt.
4. Cover unit with a suitable protective cover that does not retain moisture.

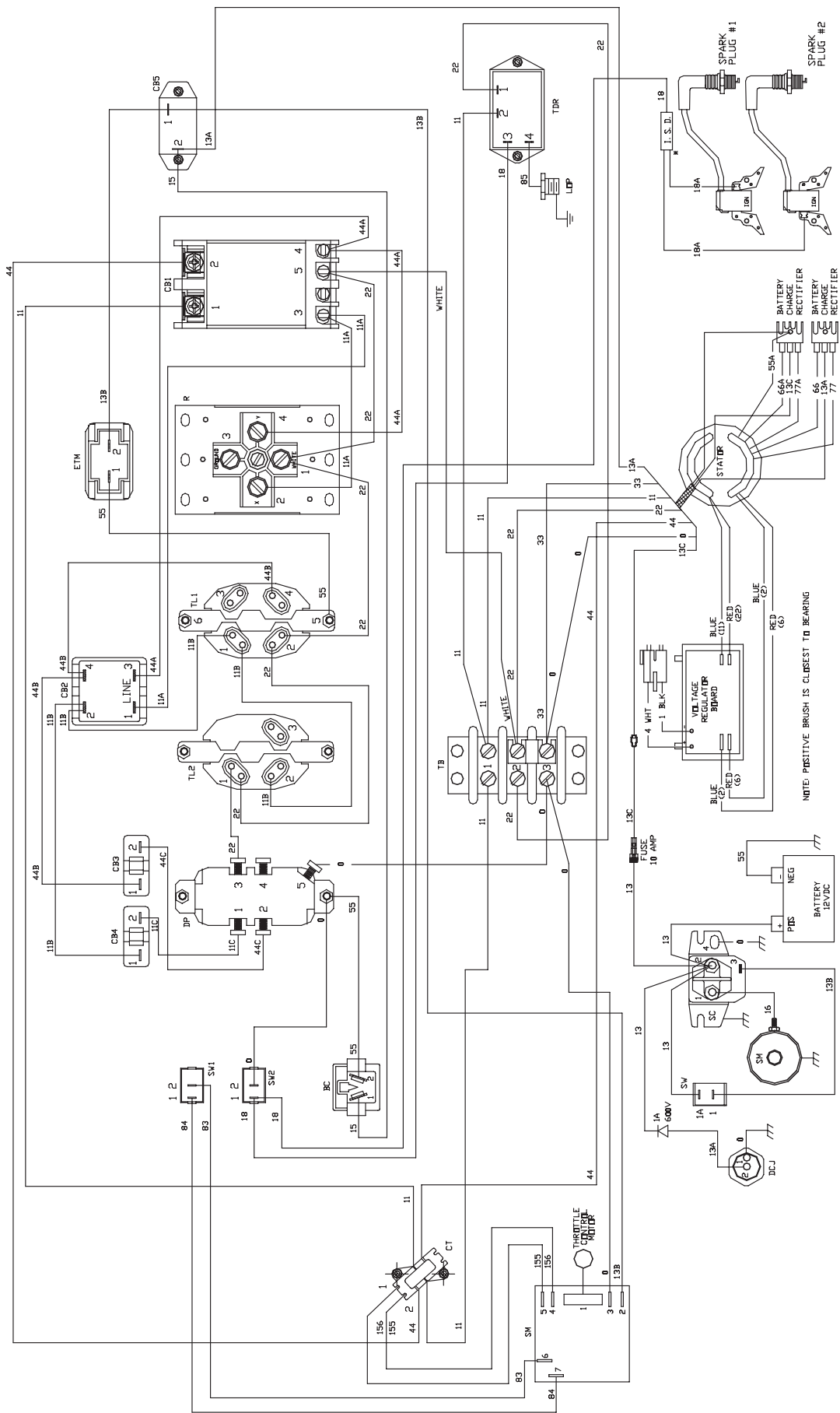
 WARNING	
	Storage covers can be flammable.
<ul style="list-style-type: none">• DO NOT place a storage cover over a hot generator.• Let equipment cool for a sufficient time before placing the cover on the equipment.	
5. Store generator in clean, dry area.	

Troubleshooting

Problem	Cause	Correction
Engine is running, but no AC output is available.	<ol style="list-style-type: none"> 1. One of the circuit breakers is open. 2. Fault in generator. 3. Poor connection or defective cord set. 4. Connected device is bad. 	<ol style="list-style-type: none"> 1. Reset circuit breaker. 2. Contact authorized service facility. 3. Check and repair. 4. Connect another device that is in good condition.
Engine runs good at no-load but "bogs down" when loads are connected.	<ol style="list-style-type: none"> 1. Short circuit in a connected load. 2. Engine speed is too slow. 3. Generator is overloaded. 4. Shorted generator circuit. 5. Clogged or dirty fuel filter. 	<ol style="list-style-type: none"> 1. Disconnect shorted electrical load. 2. Contact authorized service facility. 3. See <i>Don't Overload Generator</i>. 4. Contact authorized service facility. 5. Clean or replace fuel filter.
Engine will not start; or starts and runs rough.	<ol style="list-style-type: none"> 1. Run/Stop switch set to "Stop". 2. Fuel valve is in "Off" position. 3. Failed battery. 4. Low oil level. 5. Dirty air cleaner. 6. Clogged or dirty fuel filter. 7. Out of fuel. 8. Stale fuel. 9. Spark plug wire not connected to spark plug. 10. Bad spark plug. 11. Water in fuel. 12. Flooded. 13. Excessively rich fuel mixture. 14. Intake valve stuck open or closed. 15. Engine has lost compression. 	<ol style="list-style-type: none"> 1. Set switch to "Run". 2. Turn fuel valve to "On" position. 3. Replace battery. 4. Fill crankcase to proper level or place generator on level surface. 5. Clean or replace air cleaner. 6. Clean or replace fuel filter. 7. Fill fuel tank. 8. Drain fuel tank and carburetor; fill with fresh fuel. 9. Connect wire to spark plug. 10. Replace spark plug. 11. Drain fuel tank and carburetor; fill with fresh fuel. 12. Wait 5 minutes and re-crank engine. 13. Contact authorized service facility. 14. Contact authorized service facility. 15. Contact authorized service facility.
Engine shuts down when running.	<ol style="list-style-type: none"> 1. Out of fuel. 2. Clogged or dirty fuel filter. 3. Low oil level. 	<ol style="list-style-type: none"> 1. Fill fuel tank. 2. Clean or replace fuel filter. 3. Fill crankcase to proper level or place generator on level surface.
Engine lacks power.	<ol style="list-style-type: none"> 1. Load is too high. 2. Dirty air filter. 3. Clogged or dirty fuel filter. 	<ol style="list-style-type: none"> 1. See <i>Don't Overload Generator</i>. 2. Replace air filter. 3. Clean or replace fuel filter.
Engine "hunts" or falters.	<ol style="list-style-type: none"> 1. Carburetor is running too rich or too lean. 2. Clogged or dirty fuel filter. 	<ol style="list-style-type: none"> 1. Contact authorized service facility. 2. Clean or replace fuel filter.

Troubleshooting





Troubleshooting

Warranties

Emissions Control System Warranty

Briggs & Stratton Corporation (B&S), the California Air Resources Board (CARB) and the United States Environmental Protection Agency (U.S. EPA)

Emissions Control System Warranty Statement (Owner's Defect Warranty Rights and Obligations)

California, United States and Canada Emissions Control Defects Warranty Statement

The California Air Resources Board (CARB), U.S. EPA and B&S are pleased to explain the Emissions Control System Warranty on your small off-road engine (SORE). In California, new small off-road engines model year 2006 and later must be designed, built and equipped to meet the State's stringent anti-smog standards. Elsewhere in the United States, new non-road, spark-ignition engines certified for model year 1997 and later must meet similar standards set forth by the U.S. EPA. B&S must warrant the emissions control system on your engine for the periods of time listed below, provided there has been no abuse, neglect or improper maintenance of your small off-road engine.

Your emissions control system includes parts such as the carburetor, air cleaner, ignition system, fuel line, muffler and catalytic converter. Also included may be connectors and other emissions related assemblies.

Where a warrantable condition exists, B&S will repair your small off-road engine at no cost to you including diagnosis, parts and labor.

Briggs & Stratton Emissions Control Defects Warranty Coverage

Small off-road engines are warranted relative to emissions control parts defects for a period of two years, subject to provisions set forth below. If any covered part on your engine is defective, the part will be repaired or replaced by B&S.

Owner's Warranty Responsibilities

As the small off-road engine owner, you are responsible for the performance of the required maintenance listed in your Operating and Maintenance Instructions. B&S recommends that you retain all your receipts covering maintenance on your small off-road engine, but B&S cannot deny warranty solely for the lack of receipts or for your failure to ensure the performance of all scheduled maintenance.

As the small off-road engine owner, you should however be aware that B&S may deny you warranty coverage if your small off-road engine or a part has failed due to abuse, neglect, improper maintenance or unapproved modifications.

You are responsible for presenting your small off-road engine to an Authorized B&S Service Dealer as soon as a problem exists. The undisputed warranty repairs should be completed in a reasonable amount of time, not to exceed 30 days.

If you have any questions regarding your warranty rights and responsibilities, you should contact a B&S Service Representative at (414) 259-5262.

The emissions warranty is a defects warranty. Defects are judged on normal engine performance. The warranty is not related to an in-use emissions test.

Briggs & Stratton Emissions Control Defects Warranty Provisions

The following are specific provisions relative to your Emissions Control Defects Warranty Coverage. It is in addition to the B&S engine warranty for non-regulated engines found in the Operator's Manual.

1. Warranted Parts

Coverage under this warranty extends only to the parts listed below (the emissions control systems parts) to the extent these parts were present on the engine purchased.

a. Fuel Metering System

- Cold start enrichment system (soft choke)
- Carburetor and internal parts
- Fuel Pump
- Fuel line, fuel line fittings, clamps
- Fuel tank, cap and tether
- Carbon canister

b. Air Induction System

- Air cleaner
- Intake manifold
- Purge and vent line

c. Ignition System

- Spark plug(s)
- Magneto ignition system

d. Catalyst System

- Catalytic converter
- Exhaust manifold
- Air injection system or pulse valve

e. Miscellaneous Items Used in Above Systems

- Vacuum, temperature, position, time sensitive valves and switches
- Connectors and assemblies

2. Length of Coverage

B&S warrants to the initial owner and each subsequent purchaser that the Warranted Parts shall be free from defects in materials and workmanship which caused the failure of the Warranted Parts for a period of two years from the date the engine is delivered to a retail purchaser.

3. No Charge

Repair or replacement of any Warranted Part will be performed at no charge to the owner, including diagnostic labor which leads to the determination that a Warranted Part is defective, if the diagnostic work is performed at an Authorized B&S Service Dealer. For emissions warranty service contact your nearest Authorized B&S Service Dealer as listed in the "Yellow Pages" under "Engines, Gasoline," "Gasoline Engines," "Lawn Mowers," or similar category.

4. Claims and Coverage Exclusions

Warranty claims shall be filed in accordance with the provisions of the B&S Engine Warranty Policy. Warranty coverage shall be excluded for failures of Warranted Parts which are not original B&S parts or because of abuse, neglect or improper maintenance as set forth in the B&S Engine Warranty Policy. B&S is not liable to cover failures of Warranted Parts caused by the use of add-on, non-original, or modified parts.

5. Maintenance

Any Warranted Part which is not scheduled for replacement as required maintenance or which is scheduled only for regular inspection to the effect of "repair or replace as necessary" shall be warranted as to defects for the warranty period. Any Warranted Part which is scheduled for replacement as required maintenance shall be warranted as to defects only for the period of time up to the first scheduled replacement for that part. Any replacement part that is equivalent in performance and durability may be used in the performance of any maintenance or repairs. The owner is responsible for the performance of all required maintenance, as defined in the B&S Operator's Manual.

6. Consequential Coverage

Coverage hereunder shall extend to the failure of any engine components caused by the failure of any Warranted Part still under warranty.

Emission Information

Engines that are certified to meet the California Air Resources Board (CARB) Emission Standards must display information regarding the Emissions Durability Period and Air Index. The engine manufacturer makes this information available to the consumer on emission labels. The engine emission label will indicate certification information.

The **Emissions Durability Period** describes the number of hours of actual running time for which the engine is certified to be emissions compliant, assuming proper maintenance in accordance with the Operating & Maintenance Instructions. The following categories are used:

Moderate: Engine is certified to be emission compliant for 125 hours of actual engine running time.

Intermediate: Engine is certified to be emission compliant for 250 hours of actual engine running time.

Extended: Engine is certified to be emission compliant for 500 hours of actual engine running time.

For example, a typical walk-behind lawn mower is used 20 to 25 hours per year. Therefore, the **Emissions Durability Period** of an engine with an **intermediate** rating would equate to 10 to 12 years.

Certain engines will be certified to meet the United States Environmental Protection Agency (USEPA) Phase 2 emission standards. For phase 2 certified engines, the Emissions Compliance Period referred to on the Emissions Compliance label indicates the number of operating hours for which the engine has been shown to meet Federal emission requirements.

For engines less than 225 cc displacement:

Category C = 125 hours

Category B = 250 hours

Category A = 500 hours.

For engines of 225 cc or more displacement:

Category C = 250 hours

Category B = 500 hours

Category A = 1000 hours.

BRIGGS & STRATTON POWER PRODUCTS GROUP, LLC PRO-SERIES GENERATOR OWNER WARRANTY POLICY

Effective December 1, 2005 replaces all undated Warranties and all Warranties dated before December 1, 2005

LIMITED WARRANTY

Briggs & Stratton Power Products Group, LLC will repair or replace, free of charge, any part(s) of the portable generator that is defective in material or workmanship or both. Transportation charges on product submitted for repair or replacement under this warranty must be borne by purchaser. This warranty is effective for the time periods and subject to the conditions stated below. For warranty service, find the nearest Authorized Service Dealer in our dealer locator map at BRIGGSandSTRATTON.COM.

THERE IS NO OTHER EXPRESS WARRANTY. IMPLIED WARRANTIES, INCLUDING THOSE OF MERCHANTABILITY AND FITNESS FOR A PARTICULAR PURPOSE, ARE LIMITED TO ONE YEAR FROM PURCHASE, OR TO THE EXTENT PERMITTED BY LAW. ANY AND ALL IMPLIED WARRANTIES ARE EXCLUDED. LIABILITY FOR INCIDENTAL OR CONSEQUENTIAL DAMAGES ARE EXCLUDED TO THE EXTENT EXCLUSION IS PERMITTED BY LAW. Some states or countries do not allow limitations on how long an implied warranty lasts, and some states or countries do not allow the exclusion or limitation of incidental or consequential damages, so the above limitation and exclusion may not apply to you. This warranty gives you specific legal rights and you may also have other rights which vary from state to state or country to country.

WARRANTY PERIOD

	Engine	All other components
Consumer Use	2 years	2 years*
Commercial Use	2 years	2 years*

*Second year parts only

The warranty period begins on the date of purchase by the first retail end user, and continues for the period of time stated above. "Consumer Use" means personal residential household use by a retail consumer. "Commercial Use" means all other uses, including use for commercial, income producing or rental purposes. Once equipment has experienced commercial use, it shall thereafter be considered as commercial use for purposes of this warranty. Equipment used for prime power in place of utility are not applicable to this warranty.

NO WARRANTY REGISTRATION IS NECESSARY TO OBTAIN WARRANTY ON BRIGGS & STRATTON PRODUCTS. SAVE YOUR PROOF OF PURCHASE RECEIPT. IF YOU DO NOT PROVIDE PROOF OF THE INITIAL PURCHASE DATE AT THE TIME WARRANTY SERVICE IS REQUESTED, THE MANUFACTURING DATE OF THE PRODUCT WILL BE USED TO DETERMINE THE WARRANTY PERIOD.

ABOUT YOUR WARRANTY

We welcome warranty repair and apologize to you for being inconvenienced. Any Authorized Service Dealer may perform warranty repairs. Most warranty repairs are handled routinely, but sometimes requests for warranty service may not be appropriate. For example, warranty service would not apply if equipment damage occurred because of misuse, lack of routine maintenance, shipping, handling, warehousing or improper installation. Similarly, the warranty is void if the manufacturing date or the serial number on the portable generator has been removed or the equipment has been altered or modified. During the warranty period, the Authorized Service Dealer, at its option, will repair or replace any part that, upon examination, is found to be defective under normal use and service. This warranty will not cover the following repairs and equipment:

- **Normal Wear:** Outdoor Power Equipment, like all mechanical devices, needs periodic parts and service to perform well. This warranty does not cover repair when normal use has exhausted the life of a part or the equipment.
- **Installation and Maintenance:** This warranty does not apply to equipment or parts that have been subjected to improper or unauthorized installation or alteration and modification, misuse, negligence, accident, overloading, overspeeding, improper maintenance, repair or storage so as, in our judgment, to adversely affect its performance and reliability. This warranty also does not cover normal maintenance such as adjustments, fuel system cleaning and obstruction (due to chemical, dirt, carbon, lime, etc.).
- **Other Exclusions:** This warranty excludes wear items such as o-rings, filters, etc., or malfunctions resulting from accidents, abuse, modifications, alterations, or improper servicing or freezing or chemical deterioration. Accessory parts such as generator adapter cord sets and storage covers are excluded from the product warranty. This warranty excludes failures due to acts of God and other force majeure events beyond the manufacturers control. Also excluded is used, reconditioned, and demonstration equipment; equipment used for prime power in place of utility power and equipment used in life support applications. 198184E, Rev. C, 12/31/2006



Portable Generator

Product Specifications

Starting Wattage	12,500 Watts
Wattage	10,000 Watts
AC Voltage	120/240 Volts
at 240 Volts	.41.6 Amps
at 120 Volts	.83.3 Amps
Frequency	.60 Hz at 3600 rpm
Phase	.Single Phase
Shipping Weight	.278 lbs. (126 kg)
Displacement	.34.75 cu. in. (570 cc)
Spark Plug Gap	.0.030 in. (0.76 mm)
Fuel Capacity	.7 U.S. Gallons (26.5 Liters)
Oil Capacity (with filter)	.48 Ounces (1.4 Liters)

Common Service Parts

Air Cleaner w/Pre-Cleaner	.5050D
Air Cleaner	.394018S
Pre-Cleaner	.272490S
Oil Filter	.492932S or 5049D
Extended Life Oil Filter	.696854 or 5076D
Resistor Spark Plug	.491055S
Engine Oil Bottle	.100005 or 100028
Synthetic Oil Bottle	.100074
Fuel Stabilizer	.100002 or 5041D
Spark Arrester	.392390

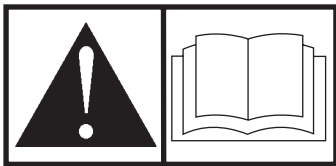
Power Ratings: The gross power rating for individual gas engine models is labeled in accordance with SAE (Society of Automotive Engineers) code J1940 (Small Engine Power & Torque Rating Procedure), and rating performance has been obtained and corrected in accordance with SAE J1995 (Revision 2002-05). Torque values are derived at 3060 RPM; horsepower values are derived at 3600 RPM. Actual gross engine power will be lower and is affected by, among other things, ambient operating conditions and engine-to-engine variability. Given both the wide array of products on which engines are placed and the variety of environmental issues applicable to operating the equipment, the gas engine will not develop the rated gross power when used in a given piece of power equipment (actual "on-site" or net power). This difference is due to a variety of factors including, but not limited to, accessories (air cleaner, exhaust, charging, cooling, carburetor, fuel pump, etc.), application limitations, ambient operating conditions (temperature, humidity, altitude), and engine-to-engine variability. Due to manufacturing and capacity limitations, Briggs & Stratton may substitute an engine of higher rated power for this Series engine.

Briggs & Stratton Power Products Group, LLC
900 N. Parkway
Jefferson, Wisconsin, 53549 U.S.A.



Generador portátil PRO10000

Manual del Operario



BRIGGS & STRATTON POWER PRODUCTS GROUP, LLC
JEFFERSON, WISCONSIN, U.S.A.

Muchas gracias por comprar este generador Briggs & Stratton de gran calidad. Nos alegra que haya depositado su confianza en la marca Briggs & Stratton. Siempre que sea utilizado de acuerdo con las instrucciones de este manual, su generador Briggs & Stratton le proporcionará muchos años de buen funcionamiento.

Este manual contiene información sobre seguridad para hacerle consciente de los riesgos asociados a los generadores y mostrarle cómo evitarlos. Este generador se ha diseñado exclusivamente para suministrar energía eléctrica a cargas compatibles de iluminación, electrodomésticos, herramientas y motores. No debe utilizarse para ningún otro fin. Es importante leer detenidamente y comprender estas instrucciones antes de poner en marcha o utilizar el equipo. **Conserve este manual para futuras consultas.**

Este generador requiere montaje final antes de ser usado. Consulte la sección *Montaje* de este manual, donde encontrará instrucciones para el montaje final. Siga las instrucciones al pie de la letra.

Dónde encontrarnos

Usted no tendrá que ir muy lejos para encontrar el servicio técnico de Briggs & Stratton para su generador. Consulte las Páginas Amarillas. Hay más de 30.000 proveedores de Briggs & Stratton autorizados en todo el mundo, proporcionando un servicio de calidad. También puede ponerse en contacto con Atención al Cliente de Briggs & Stratton llamando al **(800) 743-4115** o por Internet en BRIGGSandSTRATTON.COM.

Generador

Número de Modelo

--	--	--	--	--	--

Revisión

--	--

Número de Serie

--	--	--	--	--	--	--	--	--	--	--	--	--	--	--

Motor

Número de Modelo

--	--	--	--	--	--

Número de Tipo

--	--	--	--	--	--	--	--

Número de Código

--	--	--	--	--	--	--	--	--	--	--	--	--	--	--	--	--	--

Fecha de compra

--	--	--	--	--	--	--	--

Briggs & Stratton Power Products Group, LLC.
900 North Parkway
Jefferson, WI 53549

Copyright © 2007 Briggs & Stratton Power Products Group, LLC. Reservados todos los derechos. Queda prohibida la reproducción o transmisión total o parcial de este material, sea cual sea la forma y el medio empleados para ello, sin el permiso previo y por escrito de Briggs & Stratton Power Products Group, LLC.

Tabla de Contenido

Seguridad de operario	4
Descripción del equipo	4
Reglas de seguridad	4
Montaje	7
Desembalaje del generador	7
Contenido de la caja	7
Instale el juego de ruedas	7
Conecte el cable negativo de la batería	8
Agregar aceite al motor	9
Agregue combustible	9
Tierra del sistema	10
Conexión al sistema eléctrico de un edificio	10
Ubicación del generador	10
Controles y características	11
Juegos de cordones y enchufes conectores	13
Protección contra fallos de conexión a tierra	14
Cargador de batería	15
Operando	16
Encienda el motor	16
Conexión de cargas eléctricas	17
Parada del motor	17
Funcionamiento del control automático de marcha en vacío	17
Parada por falta de presión de aceite	17
Carga de la batería	18
Operación durante un clima frío	18
No sobrecargar el generador	20
Mantenimiento	21
Plan de mantenimiento	21
Mantenimiento del generador	21
Mantenimiento de la válvula de combustible	22
Mantenimiento del motor	22
Almacenamiento	26
Resolución de problemas	27
Garantías	28
Garantía del sistema de control de emisiones	28
Garantía para el propietario de una generador	30
Especificaciones	32
Especificaciones del producto	32
Servicio común despide	32

Seguridad de operario

Descripción del equipo



Lea atentamente este manual y familiarícese con el generador. Conozca sus aplicaciones, limitaciones y riesgos.

Este generador funciona en base a un motor de campo eléctrico giratorio y de corriente alterna (CA). Fue diseñado con la finalidad de proveer energía eléctrica para lámparas eléctricas, aparatos, herramientas y cargas de motor compatibles. El campo giratorio del generador se mueve a unas 3.600 rpm con un motor de un dous cilindro.

AVISO

El sobrepasar la capacidad del amperaje y vataje del generador, puede dañar al generador y los aparatos eléctricos conectados al mismo.

- Vea *No sobrecargue generador*.

Se ha realizado el máximo esfuerzo para reunir en este documento la información más precisa y actualizada. No obstante, nos reservamos el derecho de modificar, alterar o mejorar de cualquier otra forma el generador en cualquier momento y sin previo aviso.

El Sistema de Control de Emisiones para este generador está garantizado para juegos estándares por la Agencia de Protección Ambiental y el Consejo de recursos de aire de California.

Reglas de seguridad



Éste es el símbolo de alerta de seguridad. Sirve para advertir al usuario de un posible riesgo para su integridad física. Siga todos los mensajes de seguridad que figuren después de este símbolo para evitar lesiones o incluso la muerte.

El símbolo de alerta de seguridad (▲) se utiliza con una palabra de señalización (**PELIGRO**, **PRECAUCIÓN**, **ADVERTENCIA**), una imagen y/o un mensaje de seguridad para advertir al usuario de un riesgo. **PELIGRO** indica un riesgo que, de no evitarse, provocará la muerte o lesiones de gravedad. **ADVERTENCIA** indica un riesgo que, de no evitarse, puede provocar la muerte o lesiones de gravedad. **PRECAUCIÓN** indica un riesgo que, de no evitarse, puede provocar lesiones moderadas. Cuando se utiliza sin el símbolo de alerta, **AVISO** indica una situación que podría producir daños en el equipo. Siga en todo momento los mensajes de seguridad para evitar o reducir el riesgo de lesiones y de muerte.

El fabricante no puede anticipar todas las posibles circunstancias que podrían conllevar peligro. Por lo tanto, las advertencias de este manual, así como las etiquetas y placas de la unidad, no incluyen todo. Si usa un procedimiento, método de trabajo o técnica operativa que no esté específicamente recomendada por el fabricante, debe asegurarse de que no entraña peligro para usted ni para otras personas. También debe asegurarse de que el procedimiento, método de trabajo o técnica operativa elegida no hace que el generador deje de ser seguro.



ADVERTENCIA

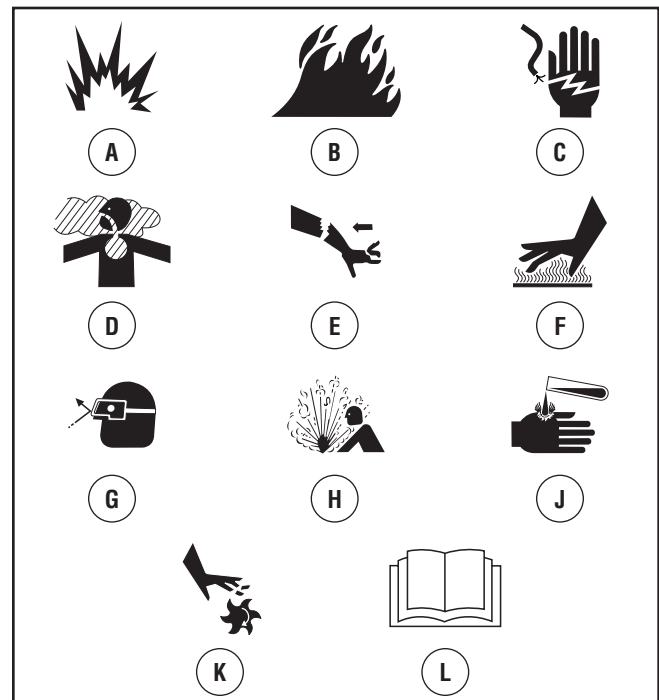
El escape del motor de este producto contiene elementos químicos reconocidos en el Estado de California por producir cáncer, defectos de nacimiento u otros daños de tipo reproductivo.



ADVERTENCIA

- Este generador no cumple la norma 33CFR-183 del cuerpo de guardacostas de EE.UU. y no debe utilizarse en aplicaciones marinas.
- El uso de un generador no homologado por cuerpo de guardacostas de EE.UU. puede provocar lesiones y daños materiales.

Símbolos de peligro y sus significados



A - Explosión

B - Fuego

C - Descarga Eléctrica

D - Gases Tóxicos

E - Retroceso

F - Superficie Caliente



G - Objets volant





H - Presión Explosiva

J - Quemaduras Químicas

K - Partes en Movimiento



L - Manual del Operario



⚠ PELIGRO	
	<p>Las baterías almacenadas producen hidrógeno explosivo mientras estén siendo recargadas.</p> <p>El hidrógeno puede permanecer cerca de la batería por un periodo largo de tiempo, después que la batería haya sido recargada.</p> <p>Una pequeña chispa puede encender el hidrógeno y causar una explosión.</p>
	<p>Usted puede quedar ciego o sufrir heridas muy graves.</p> <p>El fluido de electrolito de la batería contiene ácido y es extremadamente cáustico.</p> <p>El contacto con el fluido de la batería puede causar quemaduras químicas severas.</p>
<ul style="list-style-type: none"> • NO permita ninguna llama abierta, chispa, calor, o encienda un cigarrillo durante y por varios minutos después de haber recargado la batería. • Lleve puestos las gafas protectoras, delantal y guantes de goma. 	

⚠ PELIGRO	
<p>El uso de un generador en un espacio interior PUEDE PROVOCAR LA MUERTE EN POCOS MINUTOS.</p> <p>Los gases de escape del generador contienen monóxido de carbono, un veneno invisible e inodoro.</p>	
 	 
<p>NUNCA utilice un generador en el interior de una casa o un garaje, AUNQUE haya ventanas y puertas abiertas.</p>	<p>Utilícelo solo en el EXTERIOR, alejado de ventanas, puertas y aberturas de ventilación.</p>



⚠ ADVERTENCIA	
	<p>Al motor funcionar, se produce monóxido de carbono, un gas inodoro y venenoso.</p> <p>Respirar monóxido de carbono puede provocar dolor de cabeza, fatiga, mareos, vómitos, confusión, ataques, náuseas, desmayos o incluso la muerte.</p>
<ul style="list-style-type: none"> • Opere el generador SOLAMENTE al aire libre. • Instale una alarma de monóxido de carbono con batería cerca de los dormitorios. • Asegúrese de que los gases de escape no puedan entrar por ventanas, puertas, tomas de aire de ventilación u otras aberturas en un espacio cerrado en el que puedan acumularse. • NO arranque ni deje funcionar el motor en interiores ni en zonas cerradas, (aunque haya ventanas y puertas abiertas), incluyendo el compartimiento del generador en un vehículo recreativo o RV. 	



⚠ ADVERTENCIA	
	<p>El retroceso (repliegue rápido) del cable del arrancador puede producir lesiones. El retroceso impedirá que el usuario suelte el cable a tiempo y tirará de su mano y brazo hacia el motor.</p> <p>Como resultado, podrían producirse fracturas, contusiones o esguinces.</p>
<ul style="list-style-type: none"> • Cuando arranque el motor, tire lentamente del cable hasta sentir una resistencia y, a continuación, tire rápidamente de él para evitar su retroceso. • NUNCA arranque o pare el motor cuando haya aparatos eléctricos conectados y en funcionamiento. 	


⚠ ADVERTENCIA	
	<p>La combustible y sus vapores son extremadamente inflamables y explosivos.</p>
	<p>El fuego o una explosión pueden causar quemaduras severas e inclusive la muerte.</p>
<p>CUANDO ANADA COMBUSTIBLE O VACÍE EL DEPÓSITO:</p> <ul style="list-style-type: none"> • Apague el generador (posición OFF) y déjelo enfriar al menos por 2 minutos antes de remover la tapa de la combustible. Afloje la tapa lentamente para dejar que la presión salga del tanque. • Llene o vacíe el depósito de combustible a la intemperie. • NO llene demasiado el tanque. Permita al menos espacio para la expansión del combustible. • Si se ha derramado combustible, espere a que se evapore antes de arrancar el motor. • Mantenga la combustible alejada de chispas, llamas abiertas, pilotos, calor y otras fuentes de ignición. • NO encienda un cigarrillo o fume. 	
<p>CUANDO PONGA EN FUNCIONAMIENTO EL EQUIPO:</p> <ul style="list-style-type: none"> • Compruebe que la bujía, el silenciador, el tapón del depósito de combustible y el filtro de aire están instalados. • NO arranque el motor sin la bujía instalada. 	
<p>CUANDO OPERE EL EQUIPO:</p> <ul style="list-style-type: none"> • NO incline el motor o el equipo, de tal manera que la combustible se pueda derramar. • Este generador no es apto para el uso en equipos móviles ni en aplicaciones marinas. 	
<p>CUANDO TRANSPORTE O REPARE EL EQUIPO:</p> <ul style="list-style-type: none"> • Transporte o repare el equipo con el tanque de combustible vacío, o con la válvula para apagar el combustible, apagada (posición OFF). • Desconecte el cable de la bujía. 	
<p>CUANDO ALMACENE O GUARDE EL EQUIPO CON COMBUSTIBLE EN EL TANQUE:</p> <ul style="list-style-type: none"> • Almacene alejado de calderas, estufas, calentadores de agua, secadoras de ropa u otros aparatos electrodomésticos que posean pilotos u otras fuentes de ignición, porque ellos pueden encender los vapores de la combustible. 	

 ADVERTENCIA	
	<p>Los generadores producen un voltaje muy poderoso.</p> <p>Si no aísla el generador de utilidades de energía, puede hacer que los trabajadores de electricidad sufran heridas graves e inclusive la muerte, debido a la retroalimentación de la energía eléctrica.</p>
<ul style="list-style-type: none"> • Cuando use un generador como poder de energía auxiliar, notifique a la compañía de utilidades. Use el equipo de transferencia aprobado para aislar el generador de otra utilidad eléctrica. • Use un interruptor para la falla del circuito de tierra (GFCI) en cualquier área bastante húmeda o que sea altamente conductiva, tales como terrazas de metal o trabajo hecho con acero. • NO toque los alambres pelados o receptáculos. • NO use un generador con cables eléctricos que estén malgastados, rotos, pelados o dañados de cualquier forma. • NO opere el generador bajo la lluvia. • NO maneje el generador o cables eléctricos mientras esté parado en agua, descalzo o cuando las manos y los pies estén mojados. • NO permita que personas descalificadas o niños operen o sirvan al generador. 	

 ADVERTENCIA	
	<p>El contacto con la zona del silenciador puede producir quemaduras graves.</p>
	<p>Los gases y el calor de escape pueden inflamar los materiales combustibles y las estructuras o dañar el depósito de combustible y provocar un incendio.</p>
<ul style="list-style-type: none"> • NO toque las superficies calientes y EVITE los gases del escape a alta temperatura. • Permita que el equipo se enfríe antes de tocarlo. • Deje un espacio mínimo de 1.5 m (5 pies) alrededor del generador, incluida la parte superior. • El Código de Normativa Federal (CFR, Título 36: Parques, Bosques y Propiedad Pública) obliga a instalar una pantalla apagachispas en los equipos con motor de combustión interno y a mantenerla en buenas condiciones de funcionamiento, conforme a la norma 5100-1C (o posterior) del Servicio Forestal de la USDA. En el Estado de California, la ley exige el uso de una pantalla apagachispas (Sección 4442 del Código de Recursos Públicos de California). En otros estados puede haber leyes similares en vigor. 	

 ADVERTENCIA	
	<p>El arrancador y otras piezas que rotan pueden enredar las manos, el pelo, la ropa, o los accesorios.</p>
<ul style="list-style-type: none"> • NUNCA utilice la generador sin sus carcasas o tapas de protección. • NO use ropa suelta, joyas o elementos que puedan quedar atrapados en el arranque o en otras partes rotatorias. • Ate para arriba el pelo largo y quite la joyería. 	

 ADVERTENCIA	
	<p>Chispear involuntario puede tener como resultado el fuego o el golpe eléctrico.</p>
<p>CUANDO AJUSTE O HAGA REPARACIONES A SU MÁQUINA GENERADOR</p> <ul style="list-style-type: none"> • Siempre desconecte el alambre de la bujía y colóquelo donde no pueda entrar en contacto con la bujía. <p>CUANDO PRUEBE LA BUJÍA DEL MOTOR</p> <ul style="list-style-type: none"> • Utilice un comprobador de bujías homologado. • NO compruebe la chispa sin la bujía instalada. 	

 PRECAUCIÓN	
<p>Las velocidades de operación en exceso, aumentan los riesgos de heridas y daños al generador.</p>	
<p>Las velocidades bajan en exceso, imponen una carga muy pesada.</p>	
<ul style="list-style-type: none"> • NO cambie ninguna velocidad determinada. El generador suministra una frecuencia y un voltaje calificado cuando funciona a una velocidad determinada. • NO modifique al generador en ninguna forma. 	

AVISO	
<p>El sobrepasar la capacidad del amperaje y vataje del generador, puede dañar al generador y los aparatos eléctricos conectados al mismo.</p>	
<ul style="list-style-type: none"> • Vea <i>No sobrecargue generador</i>. • Encienda su generador y deje que el motor se estabilice antes de conectar las cargas eléctricas. • Conecte las cargas eléctricas en la posición de apagado (OFF), luego encienda (ON) para su operación. • Apague (OFF) las cargas eléctricas y desconéctelas del generador antes de parar el generador. 	

AVISO	
<p>El tratamiento inadecuado del generador puede dañarlo y acortar su vida productiva.</p>	
<ul style="list-style-type: none"> • Use el generador solamente con la finalidad para el cual fue diseñado. • En caso de dudas sobre su uso, diríjase al distribuidor. • Opere el generador solamente en superficies niveladas. • NO exponga al generador a una humedad excesiva, polvo, suciedad o vapores corrosivos. • NO inserte cualquier objeto a través de las ranuras de enfriamiento. • Si los aparatos conectados se sobrecalientan, apáguelos y desconéctelos del generador. • Apague el generador si: <ul style="list-style-type: none"> -Se pierde la salida eléctrica; -El equipo produce chispas, humo o emite llamas; -La unidad vibra de una manera excesiva. 	

Montaje

Su generador requiere de ciertos procedimientos de montaje y solo estará listo para ser utilizado después de haberle suministrado servicio con el combustible y aceite recomendados.

Si usted tiene problemas con el montaje de su generador, por favor llame a la línea de ayuda para generadores al **(800) 743-4115**. Si llamar para la ayuda, tiene por favor el modelo, la revisión y el número de serie de etiqueta de datos disponible. Consulte la ubicación en la sección *Controles y características*.

Desembalaje del generador

1. Coloque la caja de cartón en una superficie rígida y plana.
2. Abra completamente la caja de cartón cortando cada una de sus esquinas de arriba abajo.
3. Saque todo el contenido de la caja de cartón, a excepción del generador.
4. Mantenga el generador sobre el cartón para instalar el juego de ruedas.

Contenido de la caja

El generador se entrega con:

- Aceite del motor
- Manual del operario
- Cargador de flotación de la batería
- Cables de carga de la batería
- Juego de ruedas
- Toma bloqueante de 120/240 V, 30 A
- Toma bloqueante de 120 V, 30 A

Instale el juego de ruedas

NOTA: Este Juego de Ruedas no ha sido diseñado para ser usado en la carretera.

Necesitará las siguientes herramientas para instalar estos componentes:


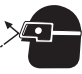
- Llave de 3/8" y 13 mm
- Llave de cubo de 3/8" y 13 mm
- Alicates
- Gafas de seguridad

Instale el juego de ruedas conforme a las instrucciones siguientes:

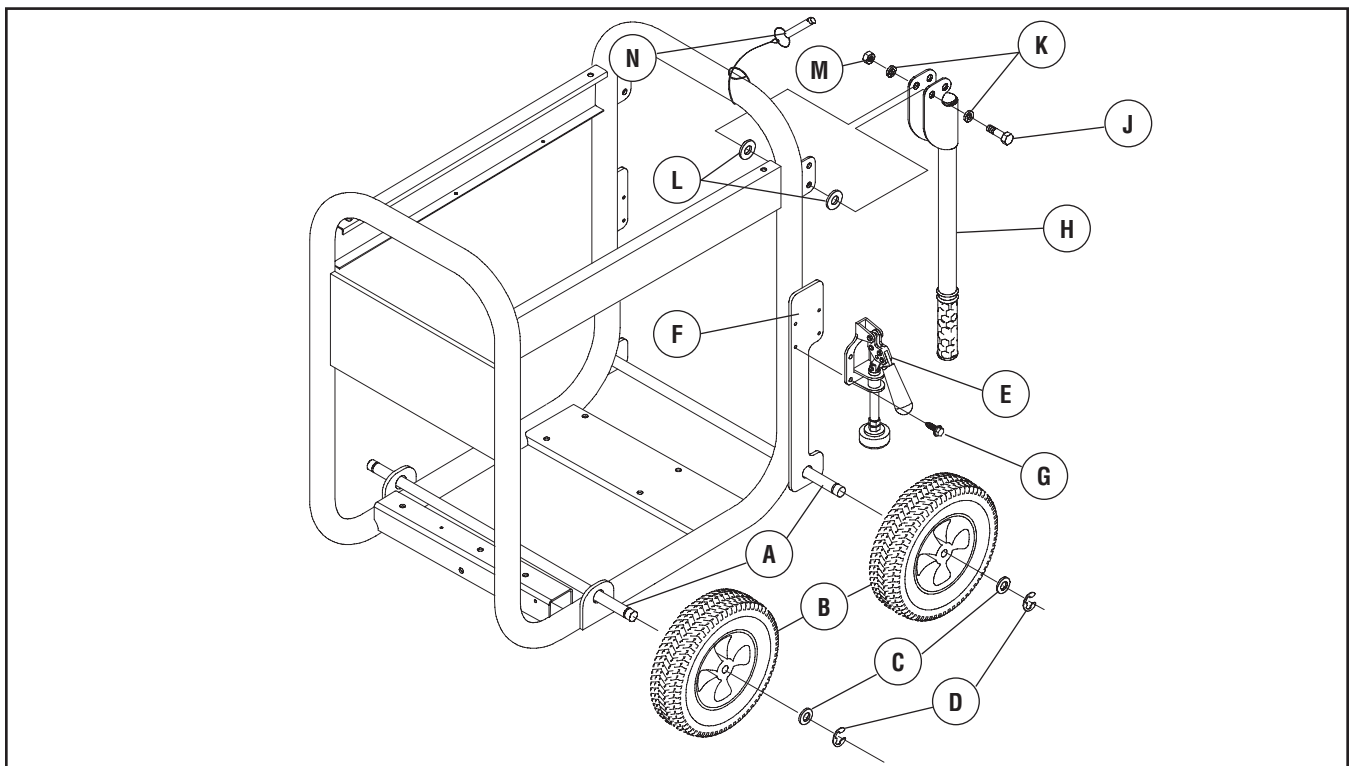
1. Dele la vuelta al generador de forma que el lado del motor quede abajo.
2. Introduzca el eje (A) a través de los dos soportes de montaje.
3. Monte una rueda (B) en el eje.

NOTA: Asegúrese de instalar ambas ruedas con la válvula de aire hacia el lado de afuera.

4. Introduzca una arandela (C) por el eje y coloque una anilla en "e" (D) en la ranura del eje.

 PRECAUCIÓN	
	Las anillas en "e" pueden provocar lesiones oculares.
	Las anillas en "e" pueden salir disparadas durante el montaje o el desmontaje.
• Utilice siempre protección ocular para montar o desmontar anillas en "e".	

5. Para ello, apriete con unos alicates desde la parte superior de la anilla en "e" hacia la parte inferior del eje.



6. Repita los pasos 3 al 5 para asegurar la segunda rueda.
7. Dele la vuelta al generador de forma que el motor quede arriba.
8. Fije las abrazaderas (E) a los soportes (F) en ambos lados del generador con tornillos hexagonales 1/4 - 20 (G).
9. Repita los pasos del 2 al 5 para asegurar las ruedas tercera y cuarta.
10. Fije el asas (H) al soportes del bastidor del generador, como se muestra. Para ello utilice un tornillo de cabeza de 45 mm (J), arandelas planas (K), arandelas de nylon (L) y una tuercas M8 (M).

NOTA: NO apriete excesivamente. La asas deben poder subir y bajar libremente.

11. Vuelva a colocar el generador en la posición normal de funcionamiento (apoyado en las ruedas).
12. Para aplicar los frenos, presione firmemente hacia abajo el asa de ambas abrazaderas hasta que quede bloqueada en la posición inferior y engrane con las ruedas.

IMPORTANTE: El generador está diseñado para funcionar en superficies planas.

13. Enganche el pasadors del asa (N) al bastidor del generador justo encima del soportes del asa.
14. Suba el asas e inserte su pasador para mover el generador.
15. Para soltar los frenos, tire hacia arriba de las abrazaderas hasta que queden en la posición superior.

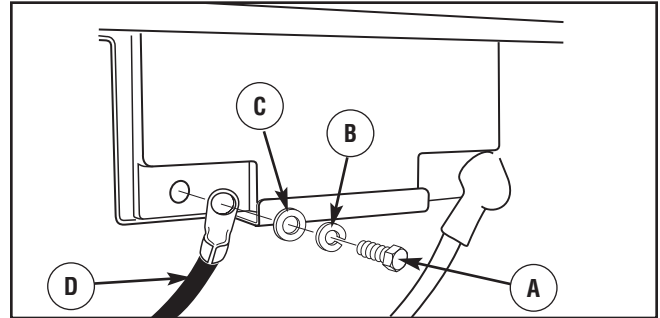
Conecte el cable negativo de la batería

El arranque del generador se puede realizar manualmente. Si decide no utilizar la función de arranque eléctrico de este generador, no será necesario instalar la batería.

La batería sellada en el generador esta completamente cargada y ha sido pre-instalada, excepto por el cable negativo (negro) de batería.

Para instalar:

1. Corte el cablecito que está aguantando el cable negro, para poderlo usar.
2. Utilice una llave de cubo de 8 mm o 5/16" para quitar el tornillo (A), arandela de cerradura (B) y arandelas de plano (C) en el terminal negativo de la batería.



3. Deslice la arandela de cerradura, arandelas de plano y el cable negativo de la batería (D) sobre el tornillo, como se muestra.
4. Reconecte el tornillo en el terminal negativo y apriétela.
5. Asegúrese que las conexiones a la batería y al generador están apretadas y aseguradas.

NOTA: Si la batería está descargada, cárguela antes del uso conforme a las instrucciones de la sección *Cargador de batería*.

Agregar aceite al motor

1. Coloque la generador en una superficie plana y nivelada.
2. Limpie la zona de alrededor del orificio de llenado de aceite y quite el tapón amarillo.

NOTA: Consulte la sección *Aceite*, para ver las recomendaciones relativas al aceite. Compruebe que la botella de aceite suministrada tiene la viscosidad adecuada para la temperatura ambiente actual.

3. Con la ayuda de un embudo (opcional), vierta lentamente el contenido de las dos botellas de aceite por el orificio de llenado hasta la marca "Full" de la varilla de medición.

AVISO

El tratamiento inadecuado del generador puede dañarlo y acortar su vida productiva.

- NO procure acodar ni empezar el motor antes ha sido atendido a apropiadamente con el aceite recomendado. Esto puede tener como resultado una avería del motor.

4. Vuelva a colocar el tapón y apriételo firmemente.

Agregue combustible

El combustible debe reunir los siguientes requisitos:

- Gasolina sin plomo limpia y nueva.
- Un mínimo de 87 octanos/87 AKI (91 RON). Para uso a gran altitud, consulte *Gran altitud*.
- El motor admite gasolina con hasta un 10% de etanol (gasohol) o hasta un 15% de MTBE (éter metil terbutílico).

AVISO

Evite el daño del generador.

El fracaso para seguir Manual de Operario para el combustible reccomendations garantía de vacíos.

- NO utilice gasolina no autorizada; por ejemplo, E85.
- NO mezcle aceite con gasolina.
- NO modifique el motor para hacerlo funcionar con otros combustibles.

Para evitar la formación de carbonilla en el circuito de combustible, siempre que añada combustible, mézclelo con un estabilizador. Consulte *Almacenamiento*. No todos los combustibles son iguales. Si detecta problemas de arranque o de rendimiento después de utilizar un combustible, pruebe a cambiar de proveedor o de marca. Este motor está certificado para funcionar con gasolina. Su sistema de control de emisiones es EM (Modificaciones del motor).

⚠ ADVERTENCIA



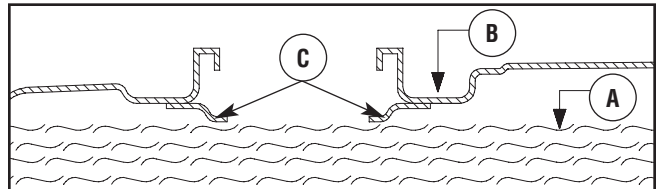
La combustible y sus vapores son extremadamente inflamables y explosivos.

El fuego o una explosión pueden causar quemaduras severas e inclusive la muerte.

CUANDO ANADA COMBUSTIBLE

- Apague el generador (posición OFF) y déjelo enfriar al menos por 2 minutos antes de remover la tapa de la combustible. Afloje la tapa lentamente para dejar que la presión salga del tanque.
- Llene o vacíe el depósito de combustible a la intemperie.
- NO llene demasiado el tanque. Permita al menos espacio para la expansión del combustible.
- Si se ha derramado combustible, espere a que se evapore antes de arrancar el motor.
- Mantenga la combustible alejada de chispas, llamas abiertas, pilotos, calor y otras fuentes de ignición.
- NO encienda un cigarrillo o fume.

1. Limpie el área alrededor de la tapa de llenado del combustible, retire la tapa.
2. Añada lentamente gasolina sin plomo (A) al depósito de combustible (B). Tenga cuidado para no llenar encima del deflector (C). Esto permite el espacio adecuado para la expansión del combustible.



3. Instale la tapa del tanque de combustible y la espera para algún combustible rociado para evaporar.

Gran altitud

En altitudes superiores a 1.524 metros (5.000 pies), se deberá utilizar gasolina con un mínimo de 85 octanos / 85 AKI (89 RON). Para seguir cumpliendo la normativa sobre emisiones, es necesario ajustar la unidad para su uso a gran altitud. De no realizarse este ajuste, el rendimiento se reducirá y el consumo de combustible y las emisiones aumentarán. Para obtener más información sobre el ajuste para gran altitud, consulte con un distribuidor cualificado de Briggs & Stratton. No se recomienda utilizar el motor a altitudes inferiores a 762 metros (2.500 pies) con el juego de gran altitud.

Tierra del sistema

El generador dispone de una conexión a tierra del sistema que conecta los componentes del bastidor a los terminales de tierra de los enchufes hembra de salida de CA. La tierra del sistema está conectada al cable de CA neutro que, a su vez, está conectado al bastidor del generador (el neutro está conectado al bastidor del generador).

Requisitos especiales

Es posible que haya normas u ordenanzas locales y nacionales en materia de seguridad e higiene en el trabajo aplicables al uso del generador. Consulte con un electricista cualificado, un inspector eléctrico o el organismo competente.

- En algunas zonas, es obligatorio registrar los generadores en las compañías eléctricas locales.
- Si el generador se utiliza en una obra, puede ser necesario cumplir normas y requisitos adicionales.

Conexión al sistema eléctrico de un edificio

Las conexiones a efectos de alimentación de reserva al sistema eléctrico de un edificio deben ser realizadas por un electricista cualificado. La conexión debe aislar la alimentación del generador de la alimentación de la red pública, o de otra fuente de energía alternativa, y debe cumplir todas las leyes y normas eléctricas vigentes.

⚠ ADVERTENCIA	
	<p>Los generadores producen un voltaje muy poderoso.</p> <p>Si no aísla el generador de utilidades de energía, puede hacer que los trabajadores de electricidad sufran heridas graves e inclusive la muerte, debido a la retroalimentación de la energía eléctrica.</p>
<ul style="list-style-type: none"> • Cuando use un generador como poder de energía auxiliar, notifique a la compañía de utilidades. Use el equipo de transferencia aprobado para aislar el generador de otra utilidad eléctrica. • Use un interruptor para la falla del circuito de tierra (GFCI) en cualquier área bastante húmeda o que sea altamente conductiva, tales como terrazas de metal o trabajo hecho con acero. • NO toque los alambres pelados o receptáculos. • NO use un generador con cables eléctricos que estén malgastados, rotos, pelados o dañados de cualquier forma. • NO opere el generador bajo la lluvia. • NO maneje el generador o cables eléctricos mientras esté parado en agua, descalzo o cuando las manos y los pies estén mojados. • NO permita que personas descalificadas o niños operen o sirvan al generador. 	

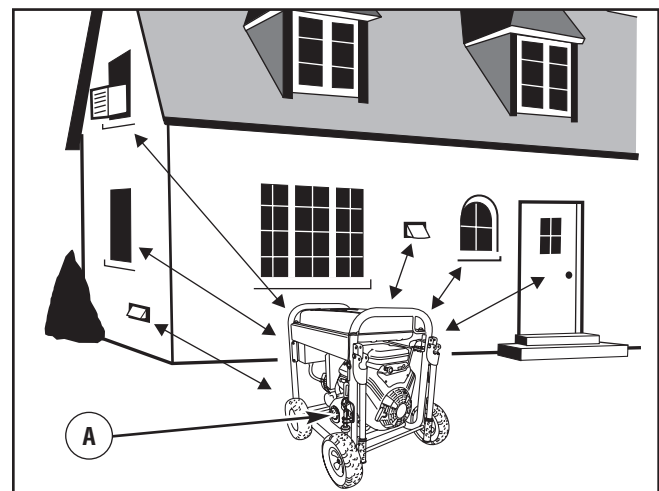
Ubicación del generador

Espacio libre alrededor del generador

⚠ ADVERTENCIA	
	<p>Los gases y el calor de escape pueden inflamar los materiales combustibles y las estructuras o dañar el depósito de combustible y provocar un incendio.</p>
<ul style="list-style-type: none"> • Deje un espacio mínimo de 1.5 m (5 pies) alrededor del generador, incluida la parte superior. 	

Coloque la generador a la intemperie en una zona en donde no se acumulen gases de escape mortales. NO instale el generador en lugares en los que los gases de escape (A) se puedan acumular o entrar en un edificio que pueda estar ocupado. Asegúrese de que los gases de escape no puedan entrar por ventanas, puertas, tomas de aire de ventilación u otras aberturas en un espacio cerrado en el que puedan acumularse. Tenga en cuenta los vientos y las corriente de aire preponderantes cuando elija la ubicación del generador.

⚠ PELIGRO	
<p>El uso de un generador en un espacio interior PUEDE PROVOCAR LA MUERTE EN POCOS MINUTOS.</p> <p>Los gases de escape del generador contienen monóxido de carbono, un veneno invisible e inodoro.</p>	
<p>NUNCA utilice un generador en el interior de una casa o un garaje, AUNQUE haya ventanas y puertas abiertas.</p>	<p>Utilícelo solo en el EXTERIOR, alejado de ventanas, puertas y aberturas de ventilación.</p>

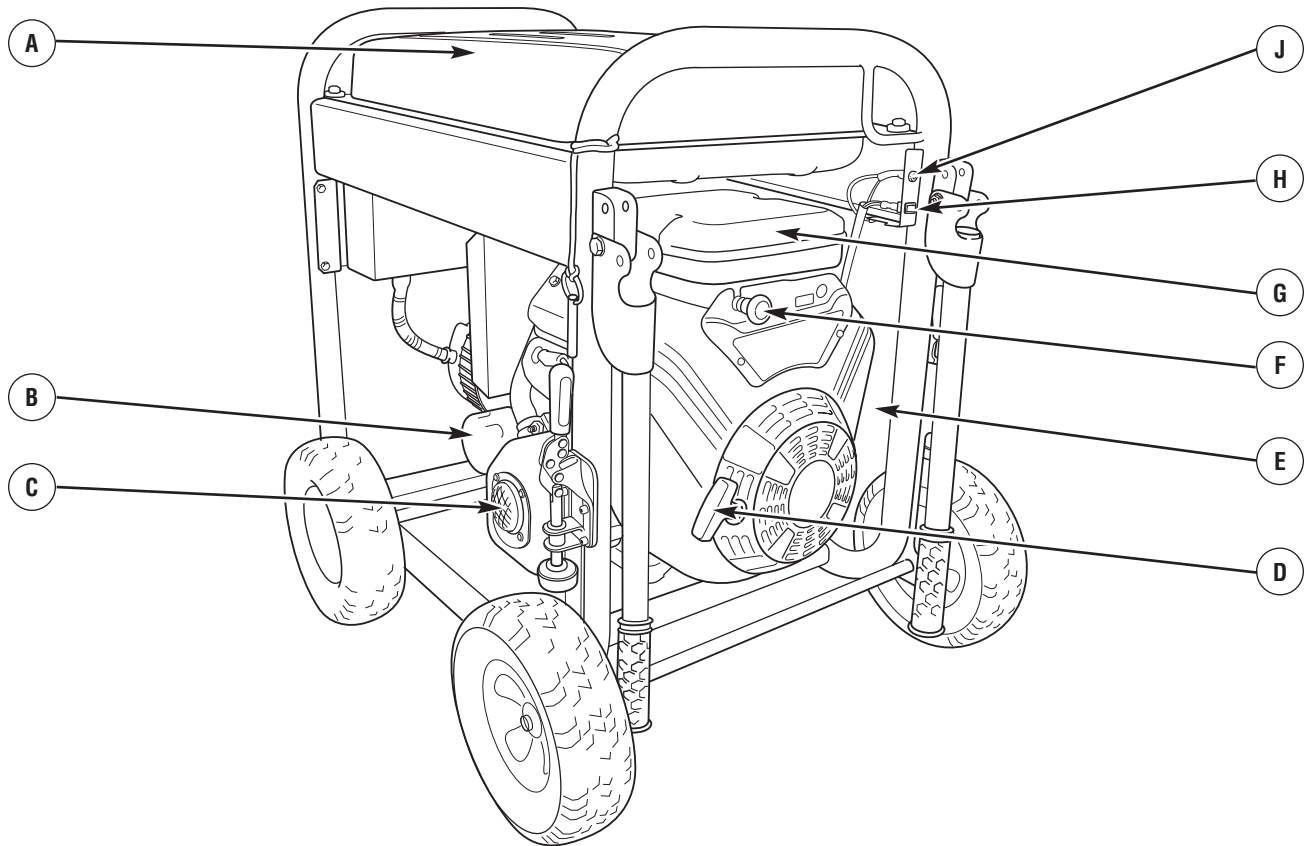


Controles y características



Lea este Manual del Operario y reglas de seguridad antes de poner en marcha su generador.

Compare las ilustraciones con su generador, para familiarizarse con la ubicación de los diversos controles y ajustes. Guarde este manual para futuras consultas.



A - Tanque del Combustible — El tanque tiene una capacidad de 7 galones americanos (26,5 l) de gasolina sin contenido de plomo.

B - Filtro de aceite — Filtra el aceite del motor para prolongar la vida útil del motor.

C - Silenciador Apagachispas — El silenciador disminuye el ruido del motor y está equipado con una pantalla apagachispas.

D - Culatazo el Principio — Usó para comenzar motor manualmente.

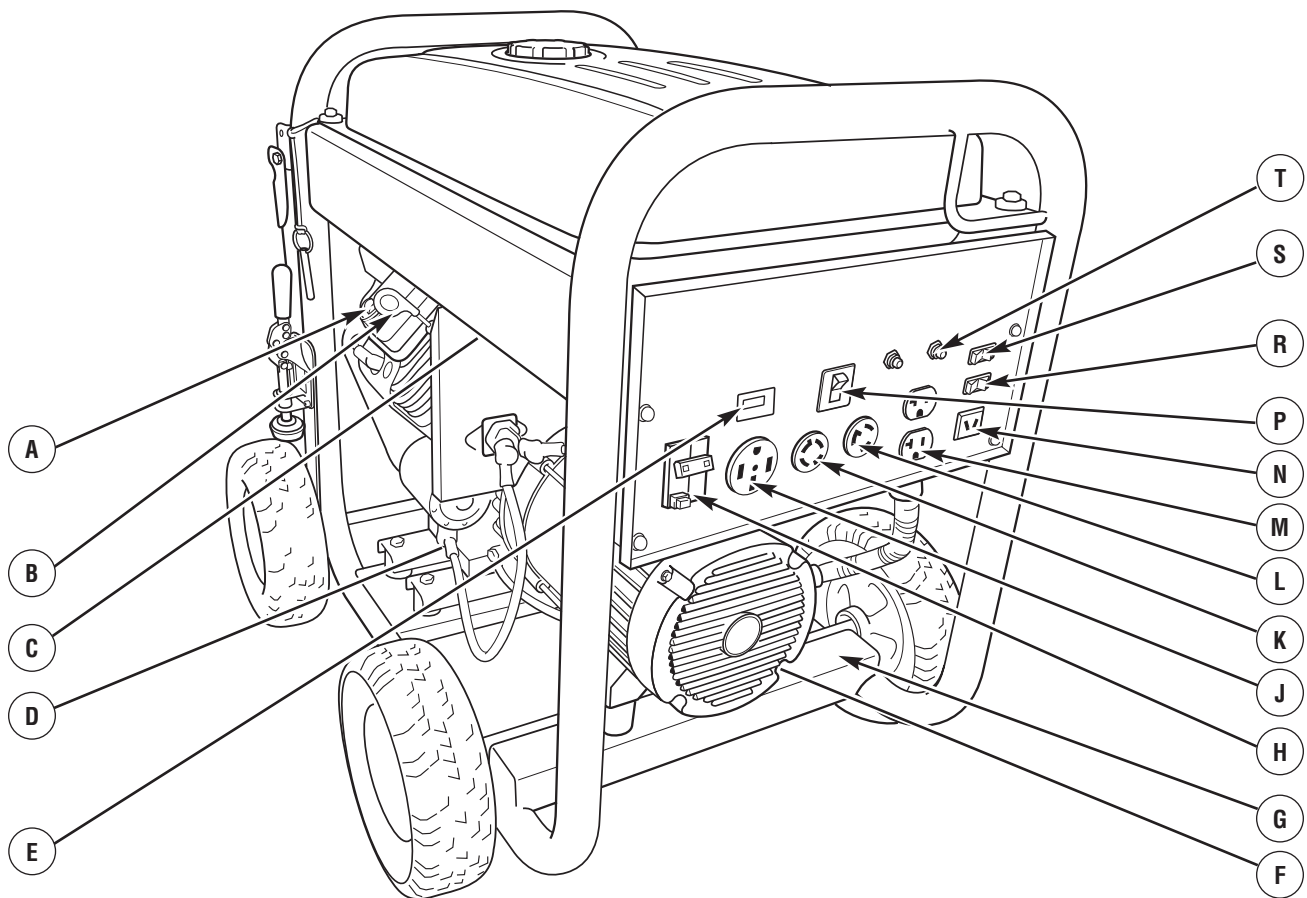
E - Identificación del Motor — Indica el modelo, tipo y código del motor. Tenga por favor estos prontamente disponible cuándo llamar para la ayuda.

F - Control del Estrangulador — Usada cuando se está dando arranque a un motor frío.

G - Depurador de Aire — Filtra el aire de entrada a medida que penetra en el motor.

H - Interruptor de Arranque — Se pulsa para arrancar el motor.

J - Cargador de Flotación de la Batería — Utilice el enchufe hembra del cargador de flotación de la batería para mantener la batería de arranque cargada y preparada para el uso.



- A - Tapón de Llenado de Aceite** — Se utiliza para llenar el motor de aceite.
- B - Varilla de Nivel de Aceite** — Se utiliza para comprobar el nivel de aceite del motor.
- C - Válvula de Combustible** — Permite abrir y cerrar la alimentación de combustible al motor.
- D - Tapón de vaciado de aceite** — Permite vaciar el aceite del motor.
- E - Contador de la Hora** — Muestra y registra las horas que ha funcionado su generador (hasta 9,999.9).
- F - Conector de Tierra** — Consulte con el organismo responsable de la normativa vigente de conexión a tierra.
- G - Etiqueta de Datos** — Proporciona el modelo, revisión y el número de serie de generador. Tenga por favor estos prontamente disponible cuándo llamar para la ayuda.
- H - Cortacircuito de GFCI** — El cortacircuito de GFCI es proporcionado para proteger contra el defecto eléctrico del suelo y proteger el generador contra sobrecargas eléctricas.
- J - Tomacorrientes de 120/240 Voltios, 50 Amperios** - Puede ser utilizado para suministrar alimentación eléctrica para el funcionamiento de cargas del eléctrica de 120 y/o 240 Voltios AC a 50 Amperios, monofásica de 60 Hz.
- K - Tomacorriente con Dispositivo de Seguridad de 120/240 Voltios, 30 Amp** — Puede ser utilizado para suministrar alimentación eléctrica para el funcionamiento de cargas del motor, herramientas, aparatos especiales e iluminación eléctrica de 120 y/o 240 Voltios AC a 30 Amperios, monofásica de 60 Hz.

- L - Tomacorriente con Dispositivo de Seguridad de 120 Voltios, 30 Amp** — Puede ser utilizado para suministrar alimentación eléctrica para el funcionamiento de cargas del motor, herramientas, aparatos especiales e iluminación eléctrica de 120 Voltios AC a 30 Amperios, monofásica de 60 Hz.
- M - Tomacorriente Dobles de 120 Voltios AC, 20 Amp** — Pueden ser utilizados para suministrar alimentación eléctrica para el funcionamiento de cargas del motor, herramientas, aparatos especiales e iluminación eléctrica de 120 Voltios AC a 20 Amperios, monofásica de 60 Hz.
- N - Tomacorrientes de 12 Voltios DC** - Este tomacorriente le permite recargar baterías tipo servicio o automotriz de 12 Voltios o batería de almacenamiento tipo servicio utilizando los cables para cargar baterías. Esta toma está protegida por un disyuntor de rearme automático de 10 A.
- P - Disyuntor bipolar** — Las tomas bloqueables de 120/240 V CA y 30 A y de 120 V CA de 30 A disponen de un disyuntor bipolar que protege el generador contra sobrecargas eléctricas.
- R - Interruptor de control de ralentí** — Utilice este interruptor para activar y desactivar la función de control de ralentí.
- S - Interruptor "Run/Stop" (funcionamiento/parada)** — Deberá estar en la posición "Run" (Funcionamiento) para darle arranque al motor. Colóquelo en la posición "Stop" (Parada) para detener un motor en funcionamiento.
- T - Disyuntores (CA)** — La toma doble de 120 V CA y 20 A disponen de disyuntores de rearme por presión que protegen el generador contra sobrecargas eléctricas.

Juegos de cordones y enchufes conectores

Utilice exclusivamente cables prolongadores de alta calidad, bien aislados y con conexión a tierra para la toma doble de 120 V del generador. Examine los cables prolongadores antes de cada uso.

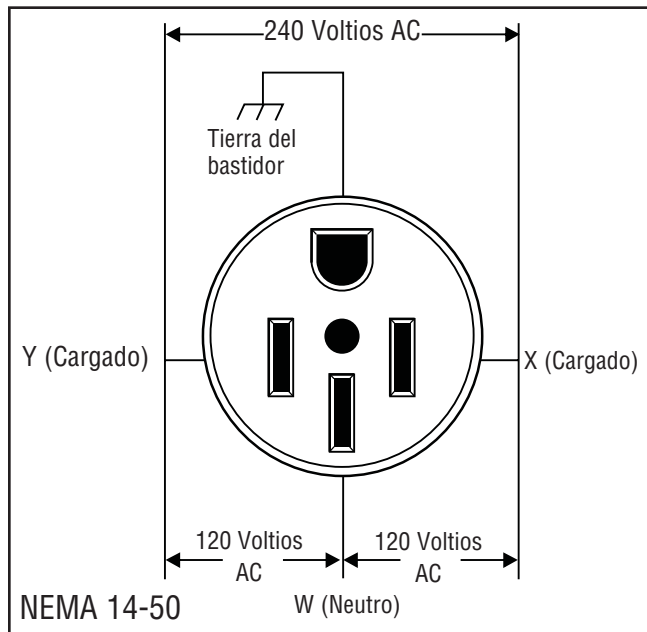
Revise las capacidades de todos los cordones de extensión antes de usarlos. Los juegos de cordones de extensión utilizados deberán tener una capacidad de 125 Voltios AC a 20 Amperios o mayor para la mayoría de los dispositivos eléctricos. Sin embargo, algunos dispositivos podrían no requerir este tipo de cordón de extensión. Revise el manual del propietario de esos dispositivos para ver las recomendaciones del fabricante.

Utilice cables prolongadores de la menor longitud posible para reducir al mínimo la caída de tensión.

⚠ ADVERTENCIA	
	Los cables eléctricos sobrecargados pueden recalentarse, formar un arco o quemarse, provocando la muerte, lesiones y/o daños materiales.
<ul style="list-style-type: none"> • Utilice exclusivamente cables regulados para las cargas aplicadas. • Respete todas las medidas de seguridad de los cables eléctricos. 	

120/240 Voltios AC, 50 A receptáculo

Use un tapón NEMA 14-50 con este receptáculo. Conecte un juego de cable de 4 alambres, clasificado como 250 Voltios AC a 50 Amperios (o mayor).



Este receptáculo le provee poder a cargas de 120/240 Voltios AC, de 60 Hz, fase sencilla, que requieren hasta 10,000 vatios de energía a 41.6 Amperios, para 240 Voltios o dos independientes 120 voltio cargas. El enchufe está protegido por un disyuntor bipolar con detección de fallos de conexión a tierra.

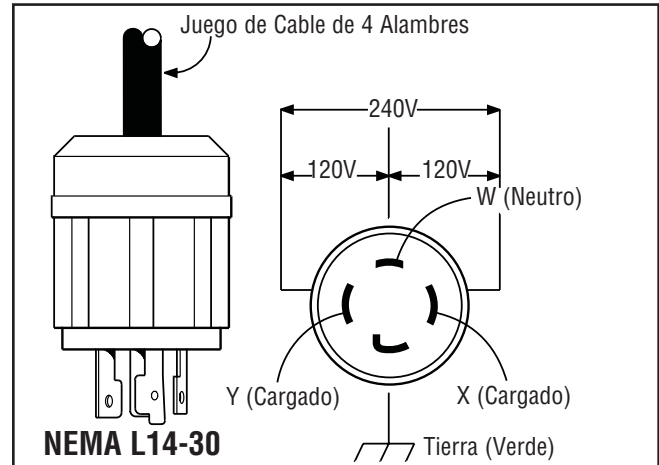
AVISO

Las tomas eléctricas pueden marcar un valor nominal mayor que la capacidad de salida del generador.

- NUNCA intente conectar un dispositivo que requiera más amperaje del que el generador o la toma eléctrica pueden suministrar.
- NO sobrecargar el generador. Véase *No sobrecargar el generador*.

Dispositivo de seguridad de 120/240 V, 30 A

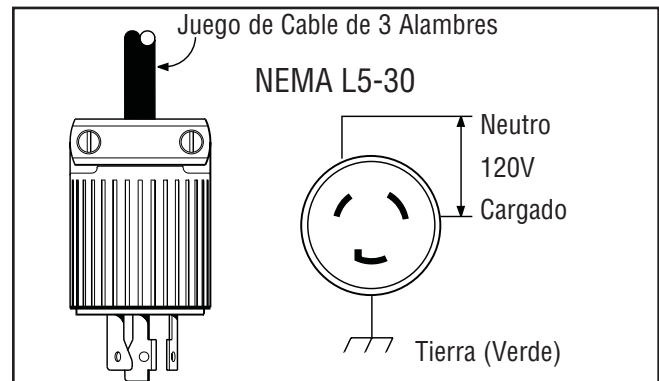
Use un tapón NEMA L14-30 con este receptáculo. Conecte un juego de cable de 4 alambres, clasificado como 250 Voltios AC a 30 Amps (o mayor). Usted puede usar el mismo cable de 4-alambres si planea trabajar con una carga de 120 Voltios.



Este receptáculo le provee poder a cargas de 120/240 Voltios AC, de 60 Hz, fase sencilla, que requieren hasta 3,600 vatios de energía a 30 Amperios, para 120 Voltios; 7,200 vatios de energía (7.2 kW) a 30 Amperios para 240 Voltios. El enchufe está protegido contra sobrecargas por un disyuntor basculante y/o un disyuntor bipolar con detección de fallos de conexión a tierra.

Tomacorrientes de 120 V CA y 30 A

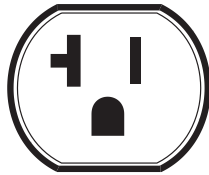
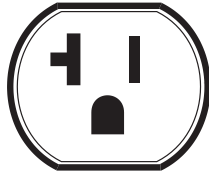
Use un enchufe tipo NEMA L5-30 con este tomacorriente. Conecte un juego de cordones de 3 alambres con una capacidad de 125 Voltios AC a 30 Amperios al enchufe.



Utilice este tomacorriente para operar cargas eléctricas de 120 Voltios AC, monofásicas de 60 Hz que requieran hasta 3,600 vatios (3.6 kW) a 30 Amperios de corriente. El enchufe está protegido contra sobrecargas por un disyuntor basculante y/o un disyuntor bipolar con detección de fallos de conexión a tierra.

Tomas eléctricas dobles de 120 V CA y 20 A

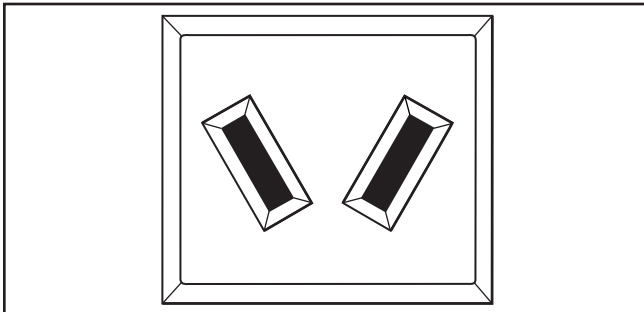
El enchufe está protegido contra sobrecargas por un disyuntor con pulsador de rearme y/o un disyuntor bipolar con detección de fallos de conexión a tierra.



Use cada receptáculo para operar 120 Voltios AC, de fase sencilla, de cargas de 60Hz que requieren hasta 2,400 vatios (2.4 kW) a corrientes de 20 Amps. Use los juegos de cables que son calificados para cargas de 125 Voltios AC, a 20 Amps (o mayores).

Tomacorrientes de 12 V DC

Este tomacorriente le permite recargar una batería de almacenamiento tipo servicio o automotriz de 12 Voltios utilizando los cables suministrados para cargar baterías.



Esta toma no puede recargar baterías de 6 voltios ni utilizarse para arrancar un motor cuya batería esté descargada. Vea las seccion *Carga de la Batería* antes de intentar recargar la batería.

Protección contra fallos de conexión a tierra

La unidad está equipada con un interruptor de circuito de fallo de conexión a tierra (GFCI). Este dispositivo cumple la normativa federal, nacional y local vigente.

El GFCI protege contra las descargas eléctricas que se pueden producir cuando un cuerpo humano se convierte en el medio a través del cual la electricidad llega a tierra. Este fenómeno puede producirse cuando el usuario toca un aparato o un cable con corriente, una cañería u otro material conectado a tierra.

Con la protección de un GFCI, el usuario puede sentir la descarga, pero el dispositivo corta la corriente lo bastante rápido como para que una persona con una salud normal no sufra ningún daño de gravedad.

⚠ ADVERTENCIA	
	El generador produce una tensión muy elevada.
<ul style="list-style-type: none"> El GFCI no protege contra las siguientes situaciones: <ul style="list-style-type: none"> -Descargas de línea a línea; -Sobrecargas de corriente o cortocircuitos de línea a línea. El fusible o el disyuntor del panel de control debe proporcionar este tipo de protección. 	

Compruebe el Disyuntor GFCI

Compruebe el disyuntor GFCI una vez al mes como se indica a continuación:

1. Pulse el botón "**Test**" (Prueba) blanco con el generador en funcionamiento. El disyuntor debe saltar (la manivela se sitúa aproximadamente en la posición central), evitando así que los enchufes reciban corriente.

⚠ PRECAUCIÓN	
Si el disyuntor no salta:	
<ul style="list-style-type: none"> NO utilice el generador. Póngase en contacto con un centro de servicio técnico de Briggs & Stratton Power Products. 	

2. Si la manivela se sitúa en la posición central, rearme el disyuntor moviendo firmemente la manivela hasta la posición "**Off**" (inferior) y después hasta la posición "**On**" (superior).

⚠ PRECAUCIÓN	
Si el disyuntor no se rearma correctamente:	
<ul style="list-style-type: none"> NO utilice el generador. Póngase en contacto con un centro de servicio técnico de Briggs & Stratton Power Products. 	

Mientras se Utiliza el Generador

Si el disyuntor salta mientras se utiliza el generador, es probable que la causa sea un fallo del equipo eléctrico o de los cables. No obstante, compruebe el disyuntor como se indica a continuación.

1. Desconecte las cargas, rearme el disyuntor y realice una prueba como se ha descrito anteriormente. Deje funcionar el generador sin cargas durante 1 minuto.



PRECAUCIÓN

Si el disyuntor salta en el intervalo de 1 minuto:

- NO utilice el generador.
- Póngase en contacto con un centro de servicio técnico de Briggs & Stratton Power Products.

2. Si la prueba del disyuntor es satisfactoria, es probable que haya un fallo en el equipo eléctrico o en los cables alargadores. Sustituya el equipo eléctrico y los cables defectuosos antes de volver a utilizar el generador.



PRECAUCIÓN

Si la prueba del disyuntor es satisfactoria:

- Haga que un técnico cualificado compruebe si hay algún fallo en el equipo eléctrico o en los cables.
- Sustituya el equipo eléctrico y los cables o acuda a un taller cualificado.



ADVERTENCIA



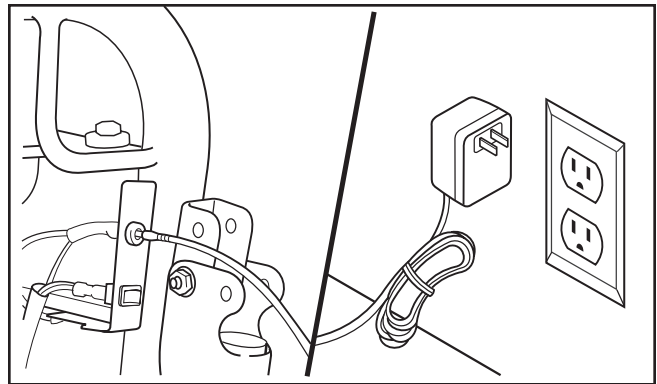
El generador produce una tensión muy elevada.

- NO toque los cables pelados ni los enchufes hembra.
- NO utilice el generador con cables eléctricos que estén desgastados, pelados, desnudos o dañados.
- NO utilice el generador bajo la lluvia.
- NO toque el generador ni los cables eléctricos en una zona con agua, si está descalzo o si tiene las manos o los pies mojados.
- EVITE que los niños y las personas no cualificadas utilicen o reparen el generador o los componentes con carga eléctrica.

Cargador de batería

Utilice el enchufe hembra del cargador de flotación (carga lenta y continua) de la batería para mantener la batería de arranque cargada y preparada para el uso. La carga de la batería se debe realizar en un lugar seco, como el interior de un garaje.

1. Conecte el cargador al enchufe hembra "Battery Float Charger" (Cargador de flotación de la batería) de la unidad, que se encuentra en el interruptor de arranque. Enchufe el cargador de la batería a una toma de pared de 120 V CA.



Controles

2. Desconecte el cargador de la unidad y del enchufe de la pared durante el arranque del generador y mientras esté funcionando.
3. Mantenga el cargador enchufado cuando el generador no se esté utilizando, para prolongar la vida de la batería. El cargador incorpora un ecualizador de flotación que impide la sobrecarga de la batería, incluso aunque esté enchufado durante un largo periodo de tiempo.

IMPORTANTE: Para obtener más información al respecto, consulte *Mantenimiento de la Batería*.

Operando

Encienda el motor

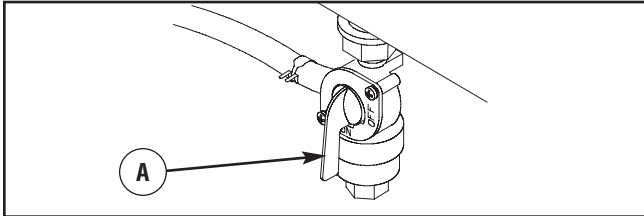
IMPORTANTE: Desenchufe siempre el cargador de flotación de la batería antes de arrancar el generador.

Desconecte todas las cargas eléctricas del generador. Use las siguientes instrucciones para encender:

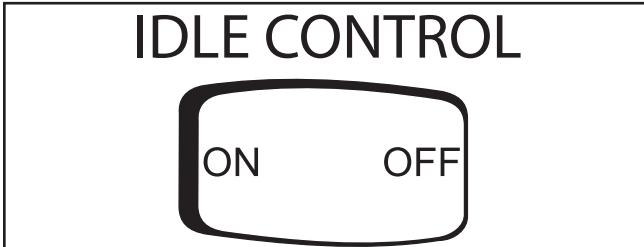
1. Asegúrese de que la unidad está en una superficie plana.

IMPORTANTE: Si la unidad no se arranca y utiliza en una superficie plana, se pueden producir problemas de arranque y de parada durante el funcionamiento.

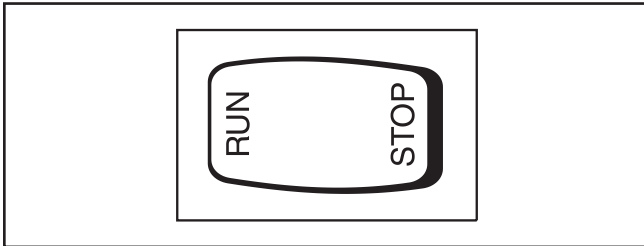
2. Gire la válvula del combustible (A) a la posición "On".



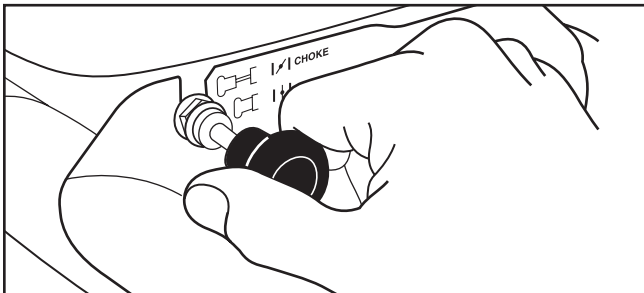
3. Verifique si el interruptor de control secundario se encuentra "Off" (Apagado).



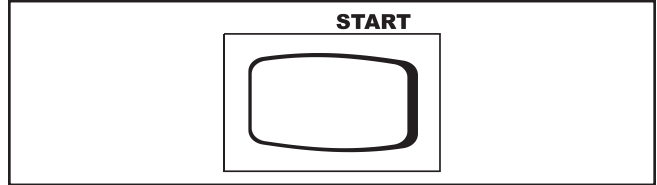
4. Sitúe el conmutador de funcionamiento/parada en la posición "Run" (Funcionamiento).



5. Tire hacia fuera del tirador del estrangulador para cerrar el estrangulador.



- 6A. **Para el arranque eléctrico**, pulse el interruptor de arranque y manténgalo en la posición de "Start" (arranque) hasta que arranque el generador. Para prolongar la vida de los componentes del sistema de arranque, NO mantenga el interruptor de arranque en la posición de "Start" (arranque) durante más de 15 segundos y realice pausas de al menos 1 minuto entre intentos.



- Si el motor arranca, continúe con el paso 8.
- Si el motor no arranca, proceda con el paso 7.

NOTA: Si la batería se descarga, siga las instrucciones manuales de arrancado.

- 6B. **Para el arranque manual**, hale la manija de retroceso, en forma suave hasta que sienta resistencia, Luego para arrancar el motor hacer tracción en forma rápida una sola vez.

 ADVERTENCIA	
	El retroceso (repliegue rápido) del cable del arrancador puede producir lesiones. El retroceso impedirá que el usuario suelte el cable a tiempo y tirará de su mano y brazo hacia el motor. Como resultado, podrían producirse fracturas, contusiones o esguinces.
<ul style="list-style-type: none">• Cuando arranque el motor, tire lentamente del cable hasta sentir una resistencia y, a continuación, tire rápidamente de él para evitar su retroceso.• NUNCA arranque o pare el motor cuando haya aparatos eléctricos conectados y en funcionamiento.	

- Si el motor arranca, continúe con el paso 8.
- Si el motor no arranca, proceda con el paso 7.

7. Presione el tirador del estrangulador hasta la posición intermedia y tire dos veces del tirador de retroceso o pulse y mantenga el interruptor en la posición "Start" (Arranque) como se indica en el paso 6A.

- Si el motor no arranca, repita los pasos desde 5 hasta 6.

8. Abra el estrangulador poco a poco, presionando su tirador a medida que el motor se calienta.

IMPORTANTE: Si el motor se ahoga, presione el tirador del estrangulador hasta que quede totalmente dentro e intente arrancar el motor hasta conseguirlo.

NOTA: Si el motor arranca después de tirar tres veces del arrancador pero no sigue funcionando, o si la unidad se para en funcionamiento, asegúrese de que la unidad está en una superficie plana y compruebe que el nivel de aceite del cigüeñal es correcto. La unidad puede equiparse con un dispositivo de protección de bajo nivel de aceite. En caso afirmativo, el nivel de aceite debe ser adecuado para que el motor arranque.

 ADVERTENCIA	
	El contacto con la zona del silenciador puede producir quemaduras graves.
	Los gases y el calor de escape pueden inflamar los materiales combustibles y las estructuras o dañar el depósito de combustible y provocar un incendio.
<ul style="list-style-type: none"> • NO toque las superficies calientes y EVITE los gases del escape a alta temperatura. • Permita que el equipo se enfríe antes de tocarlo. • Deje un espacio mínimo de 1.5 m (5 pies) alrededor del generador, incluida la parte superior. • El Código de Normativa Federal (CFR, Título 36: Parques, Bosques y Propiedad Pública) obliga a instalar una pantalla apagachispas en los equipos con motor de combustión interno y a mantenerla en buenas condiciones de funcionamiento, conforme a la norma 5100-1C (o posterior) del Servicio Forestal de la USDA. En el Estado de California, la ley exige el uso de una pantalla apagachispas (Sección 4442 del Código de Recursos Públicos de California). En otros estados puede haber leyes similares en vigor. 	

Conexión de cargas eléctricas

1. Deje que el motor se estabilice y se caliente por dos minutos después del arranque.
2. Enchúfelo y encienda la carga eléctrica deseada (120 y/o 240 V CA, monofásico, 60 Hz.)

IMPORTANTE:



- NO conectar cargas de 240 V en las tomas eléctricas dobles.
- NO conectar cargas trifásicas al generador.
- NO conectar cargas de 50 Hz al generador.
- NO SOBRECARGAR EL GENERADOR. Véase *No sobrecargar el generador*.

AVISO	
El sobrepasar la capacidad del amperaje y vataje del generador, puede dañar al generador y los aparatos eléctricos conectados al mismo.	
<ul style="list-style-type: none"> • Vea <i>No sobrecargue generador</i>. • Encienda su generador y deje que el motor se estabilice antes de conectar las cargas eléctricas. • Conecte las cargas eléctricas en la posición de apagado (OFF), luego encienda (ON) para su operación. • Apague (OFF) las cargas eléctricas y desconéctelas del generador antes de parar el generador. 	

Parada del motor

1. Desconecte **todas** las cargas eléctricas de los tomacorrientes del panel del generador. NUNCA de arranque o detenga el motor con todos los dispositivos eléctricos conectados y encendidos.
2. Sitúe el interruptor de control de ralentí en la posición "Off" (Apagado).

3. Deje que el motor funcione sin cargas por algunos minutos para estabilizar las temperaturas internas del motor y el generador.
4. Coloque el interruptor run/stop (funcionamiento/parada) en la posición de parada "Stop".

 ADVERTENCIA	
	El motor podría petardear, incendiarse o dañarse.
<ul style="list-style-type: none"> • NO coloque la palanca estranguladora en la posición "Choke" para parar el motor. 	

5. Gire la válvula de combustible hasta la posición "Off".

Funcionamiento del control automático de marcha en vacío

Este interruptor ha sido diseñado para mejorar el consumo de combustible. **Cuando éste interruptor sea "Activado"**, el motor funcionará únicamente en su alta velocidad de mando normal una vez sea conectada una carga eléctrica. Cuando la carga eléctrica es retirada, el motor funcionará a una velocidad menor.

Si el interruptor está "Desactivado", el motor funcionará en alta velocidad normal. **Siempre tenga el interruptor en la posición off (apagado) cuando arranque y detenga el motor.**

Parada por falta de presión de aceite

Si la presión del aceite del motor cae por debajo de un nivel predeterminado, un presostato de aceite detendrá el motor. Compruebe el nivel de aceite con la varilla.

Si el nivel de aceite está entre las marcas ADD (Añadir) y FULL (Lleno) de la varilla:

- NO intente volver a arrancar el motor.
- Póngase en contacto con un distribuidor autorizado de servicio Briggs & Stratton.
- NO utilice el motor hasta que la presión de aceite sea correcta.

Si el nivel de aceite está por debajo de la marca ADD (Añadir) de la varilla:

- Añada aceite hasta llegar a la marca FULL (Lleno).
- Ponga de nuevo en marcha el motor. Si vuelve a pararse, puede que siga existiendo un problema de baja presión de aceite. NO intente volver a arrancar el motor.
- Póngase en contacto con un distribuidor autorizado de servicio Briggs & Stratton.
- NO utilice el motor hasta que la presión de aceite sea correcta.

Carga de la batería

Su generador tiene la capacidad de recargar baterías descargadas de acumuladores tipo servicio o automotriz de 12 Voltios.

- NO utilice la unidad para cargar baterías de 6 Voltios.
- NO use la unidad para mover motores que tengan la batería descargada.

⚠ PELIGRO



Las baterías almacenadas producen hidrógeno explosivo mientras estén siendo recargadas.

El hidrógeno puede permanecer cerca de la batería por un periodo largo de tiempo, después que la batería haya sido recargada.

Una pequeña chispa puede encender el hidrógeno y causar una explosión.

Usted puede quedar ciego o sufrir heridas muy graves.



El fluido de electrolito de la batería contiene ácido y es extremadamente cáustico.

El contacto con el fluido de la batería puede causar quemaduras químicas severas.

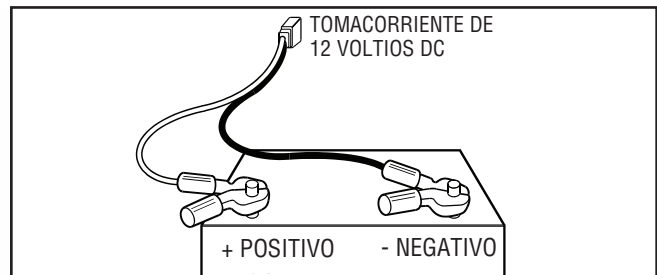
- NO permita ninguna llama abierta, chispa, calor, o encienda un cigarrillo durante y por varios minutos después de haber recargado la batería.
- Lleve puestos las gafas protectoras, delantal y guantes de goma.

Utilización

Para recargar baterías de 12 Voltios, lleve a cabo los siguientes procedimientos:

1. Revise el nivel del líquido en todas las celdas de la batería. Si es necesario, añada agua destilada **UNICAMENTE** hasta cubrir los separadores de las celdas de la batería. **NO use agua de grifo.**
2. Si la batería está equipada con tapas de desfogue, asegúrese de que están instaladas y apretadas.
3. Limpie los terminales de la batería si es necesario.
4. Conecte el enchufe conector del cable de carga de la batería al tomacorrientes del panel identificado con las palabras "12V 10A D.C." output.

5. Conecte el sujetador del cable de carga de la batería que tiene la manija **roja** al terminal **positivo (+)** de la batería.



6. Conecte el sujetador del cable de carga de la batería que tiene la manija **negra** al terminal **negativo (-)** de la batería.
7. Arranque el motor. Deje que el motor funcione mientras la batería se recarga.
8. Apague el motor cuando la batería se haya cargado.

NOTA: Use un hidrómetro para automóviles para probar el estado de carga y condición de la batería. Siga cuidadosamente las instrucciones del fabricante del hidrómetro. Por lo general, se considera que una batería está en un estado de carga del 100% cuando la gravedad específica de su líquido (medido por el hidrómetro) es de 1.260 o mayor.

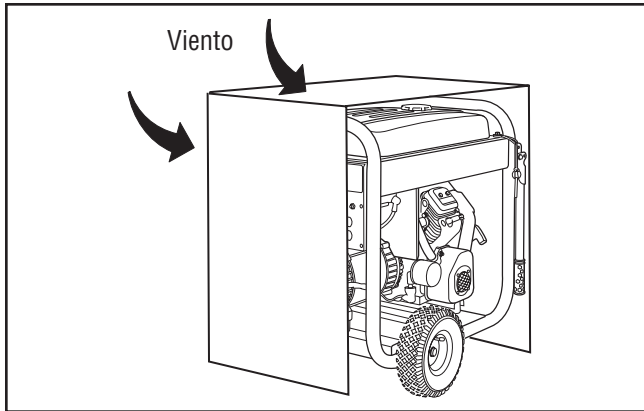
Operación durante un clima frío

En ciertas condiciones climáticas (temperaturas inferiores a 4° C [40° F] combinadas con un alto nivel de humedad), su generador puede experimentar formación de hielo en el carburador o el sistema de ventilación del cárter. Para reducir este problema, es necesario realizar lo siguiente:

1. Asegúrese de que el generador tenga combustible nuevo y limpio.
2. Abra la válvula de combustible (gire la válvula a la posición de abierto).
3. Utilice aceite 5W-30 SAE.
4. Verifique el nivel de aceite diariamente o después de cada ocho (8) horas de funcionamiento.
5. Mantenga el generador que sigue el *Horario de la Conservación*.
6. Proteja la unidad de la intemperie.

Creación de una estructura de protección provisional

1. En caso de emergencia, utilice la caja de cartón de embalaje original.
2. Corte las tapas superiores y uno de los laterales largos de la caja de cartón para dejar al descubierto el lado del silenciador de la unidad. Si es necesario, sujete con cinta adhesiva los otros laterales de la caja de forma que queden sobre el generador, como se muestra.



NOTA: Si es necesario, quite el juego de ruedas para que el cartón cubra el generador, como se muestra.

3. Haga los recortes necesarios para poder acceder a las tomas de la unidad.
4. Coloque el lado expuesto protegido del viento y demás agentes atmosféricos.
5. Ubique el generador como se describe en la sección *Ubicación del generador*. Evite que los gases de escape entren en un espacio cerrado a través de las ventanas, puertas, tomas de aire de ventilación u otras aberturas.

 ADVERTENCIA	
	<p>Al motor funcionar, se produce monóxido de carbono, un gas inodoro y venenoso.</p> <p>Respirar monóxido de carbono puede provocar dolor de cabeza, fatiga, mareos, vómitos, confusión, ataques, náuseas, desmayos o incluso la muerte.</p>
<ul style="list-style-type: none"> • Opere el generador SOLAMENTE al aire libre. • Instale una alarma de monóxido de carbono con batería cerca de los dormitorios. • Asegúrese de que los gases de escape no puedan entrar por ventanas, puertas, tomas de aire de ventilación u otras aberturas en un espacio cerrado en el que puedan acumularse. • NO arranque ni deje funcionar el motor en interiores ni en zonas cerradas, (aunque haya ventanas y puertas abiertas), incluyendo el compartimiento del generador en un vehículo recreativo o RV. 	

6. Arranque el generador como se describe en la sección *Arranque del motor* y cúbralo con la caja de cartón. Deje un espacio mínimo de 1.5 cm (5 pies) alrededor del generador, incluida la parte superior de la estructura de protección.

 ADVERTENCIA	
	<p>El contacto con la zona del silenciador puede producir quemaduras graves.</p>
	<p>Los gases y el calor de escape pueden inflamar los materiales combustibles y las estructuras o dañar el depósito de combustible y provocar un incendio.</p>
<ul style="list-style-type: none"> • NO toque las superficies calientes y EVITE los gases del escape a alta temperatura. • Permita que el equipo se enfríe antes de tocarlo. • Deje un espacio mínimo de 1.5 m (5 pies) alrededor del generador, incluida la parte superior. • Retire la protección cuando las temperaturas sean superiores a 4 °C (40 °F). 	

7. Retire la protección cuando las temperaturas sean superiores a 4 °C (40 °F).
8. Pare el motor y déjelo enfriar durante dos (2) minutos antes de repostar combustible. La espera para algún combustible rociado para evaporar.

Creación de una estructura de protección permanente

1. Construya una estructura que encierre tres lados y la parte superior del generador, asegurándose de que el lado del silenciador quede expuesto.

NOTA: La estructura debe mantener una cantidad suficiente del calor disipado por el generador para evitar problemas de congelación.

2. **NO** cierre el generador más de lo que se muestra.

NOTA: Si se ha montado un juego de ruedas en el generador, amplíe la estructura de protección.

3. Siga los pasos del 3 al 8 descritos en la sección *Creación de una estructura de protección provisional*.

Utilización

No sobrecargar el generador

Capacidad

Debe asegurarse de que su generador puede proveer los suficientes vatios de potencia continua (vatiaje nominal) y vatios de salida para los elementos que desee alimentar al mismo tiempo. Siga estos sencillos pasos:

1. Seleccione los elementos que quiere alimentar al mismo tiempo.
2. Sume la potencia nominal de esos elementos. Esa es la cantidad de energía que su generador debe producir para mantener sus elementos en funcionamiento. Consulte la tabla de la derecha.
3. Calcule cuántos vatios de salida necesitará. La potencia de salida se refiere al corto arranque de energía que se necesita para arrancar herramientas o dispositivos a motor, como una radial o un refrigerador. Como no todos los motores arrancan al mismo tiempo, el total de vatios de salida puede calcularse añadiendo sólo el elemento con la potencia de salida más alta al total de vatios de potencia continua que obtuvimos en el paso 2.

Ejemplo:

Herramienta o aparato eléctrico	Vatios de funcionamiento (potencia nominal)	Vatios de arranque (pico) adicionales
Bomba del pozo de agua	1200	2100
Frigorífico	700	2200
Ventilador del horno	800	2350
Televisión	500	—
Luz (75 vatios)	75	—
	Total de vatios de funcionamiento: 3.275	Máximo de vatios de arranque: 2.350

Vatios de potencia continua totales = 3275

Potencia de salida adicional más alta = 2350

Salida total del generador requerida = 5625

Control de la energía

Para prolongar la vida de su generador y los aparatos que conecte a él, es muy importante tener cuidado cuando se le añaden cargas eléctricas. No deber haber nada conectado a las tomas del generador antes de encender el motor. El modo seguro y correcto de gestionar la energía del generador es añadir las cargas secuencialmente, como se indica a continuación:

1. Sin tener nada conectado al generador, encienda el motor tal como se describe en este manual.
2. Conecte y encienda la primera carga, preferiblemente la mayor que usted tenga.
3. Permita que la salida del generador se estabilice (el motor funciona suavemente y el aparato funciona adecuadamente).
4. Conecte y encienda la próxima carga.
5. De nuevo, permita que el generador se estabilice.

6. Repita los pasos 4 y 5 para cada carga adicional que usted tenga.

NUNCA añada cargas que sobrepasen la capacidad del generador. Tenga especial cuidado en contar con las cargas adicionales en la capacidad del generador, como se describe arriba.

GUÍA DE REFERENCIA DE POTENCIA EN VATIOS		
Herramienta o aparato eléctrico	Nivel nominal* (en funcionamiento) de vatios	Nivel adicional (de arranque) de vatios
Artículos básicos		
Luz (75 vatios)	75	—
Ventilador del horno - 1/2 hp	800	2350
Bomba de sentina- 1/3 hp	800	1300
Refrigerador/congelador	700	2200
Bomba para pozo de agua - 1/2 hp	1000	2100
Sistema de calefacción/enfriamiento		
Ventana con AC - 10,000 BTU	1200	3600
Humidificador - 49 l (13 gal)	175	—
Aire acondicionado central - 24.000 BTU	3800	11400
Cocina		
Horno de microondas - 1000 vatios	1000	—
Cafetera	1000	—
Estufa eléctrica - 8" pieza	2100	—
Tostadora	850	—
Estancia		
Reproductor de DVD/CD	100	—
VCR	100	—
Receptor de estéreo	450	—
Televisión a color - 27 pulg.	500	—
Computadora personal con monitor de 17 pulg.	800	—
Otros		
Sistema de seguridad	500	—
Radio reloj AM/FM	100	—
Control automático para puerta de cochera - 1/2 hp	875	2350
Calentador eléctrico de agua	4700	11700
Taller/lugar de trabajo		
Lámpara halógena de cuarzo para trabajo	1000	—
Atomizador sin aire - 1/3 hp	600	1200
Sierra recíprocante	960	—
Taladro eléctrico - 1/2 hp	600	900
Sierra circular - 7 - 1/4 pulg.	1400	2300
Sierra ingletadora - 10 pulg.	1800	1800
Aplanadora de tablas - 6 pulg.	1800	1800
Sierra de mesa/sierra de brazo radial - 10 pulg.	2000	2000
Compresor de aire - 1 hp	1600	4500

*La potencia que aparece en la lista es aproximada.

Compruebe la herramienta o aparato eléctrico para obtener la potencia real.

Mantenimiento

Plan de mantenimiento

Siga los intervalos de horas o de calendario, los que sucedan antes. Si opera en condiciones adversas (señaladas más abajo) es necesario un mantenimiento más frecuente.

Primeras Ocho (8) Horas
<ul style="list-style-type: none">• Cambie el aceite del motor
Cada 8 horas o diario
<ul style="list-style-type: none">• Limpie los residuos• Compruebe el nivel de aceite
Cada 25 horas o una vez al año
<ul style="list-style-type: none">• Mantenimiento del prefiltro del filtro de aire¹
Cada 50 horas o una vez al año
<ul style="list-style-type: none">• Servicio al sistema de la bujía
Cada 100 horas o una vez al año
<ul style="list-style-type: none">• Mantenimiento del filtro de papel del filtro de aire¹• Servicio a la válvula de combustible• Servicio a la bujías• Cambie el aceite del motor y del filtro²• Limpie el sistema de refrigeración¹
Cada 250 horas o una vez al año
<ul style="list-style-type: none">• Compruebe la holgura de la válvula

¹ Servicio más a menudo bajo condiciones de suciedad o polvo.

² Cambie el aceite cada 50 horas o con el cambio de estación, lo que suceda antes, si la carga de trabajo o la temperatura ambiente es elevada.

Recomendaciones generales

El mantenimiento periódico mejorará el rendimiento y prolongará la vida útil del generador. Acuda a un distribuidor autorizado para reparar la unidad.

La garantía del generador no cubre los elementos que hayan sido sujetos al abuso o negligencia del operador. Para recibir el valor completo de la garantía, el operador deberá mantener el generador de la forma descrita en este manual.

Se deberán llevar a cabo algunos ajustes periódicamente para mantener correctamente su generador.

Todos los ajustes de la sección Servicio y Ajustes de este manual deberán ser hechos por lo menos una vez en cada estación. Cumpla con los requisitos de la tabla Programa de Mantenimiento descrita anteriormente.

NOTA: Una vez al año deberá limpiar o reemplazar la bujía y reemplazar el filtro de aire. Una bujía nueva y un filtro de aire limpio garantizan una mezcla de combustible-aire adecuada y ayuda a que su motor funcione mejor y tenga una vida útil más prolongada.

Control de emisiones

Cualquier establecimiento o individuo especializado en la reparación de motores que no sean de automoción puede encargarse del mantenimiento, la sustitución y la reparación de los dispositivos y sistemas de control de emisiones. No obstante, para realizar la revisión gratuita de control de emisiones, deberá acudir a un distribuidor autorizado por el fabricante. Véase *Garantía de emisiones*.

Mantenimiento del generador

El mantenimiento del generador consiste en conservar la unidad limpia y seca. Opere y almacene la unidad en un ambiente limpio y seco donde no será expuesta al polvo, suciedad, humedad o vapores corrosivos. Las ranuras del aire de enfriamiento del generador no deben estar tapadas con nieve, hojas, o cualquier otro material extraños.

NOTA: NO utilice agua u otros líquidos para limpiar el generador. Los líquidos pueden penetrar en el circuito de combustible del motor y provocar pérdidas de rendimiento o fallos. Asimismo, si penetran líquidos en el generador a través de las ranuras del aire de refrigeración, parte del líquido puede permanecer en los huecos y rendijas del aislamiento del devanado del rotor y del estator. El líquido y la acumulación de suciedad en los devanados internos del generador pueden reducir la resistencia del aislamiento.

Limpieza

Limpie a diario, o antes de cada uso, los residuos acumulados en el generador. Mantenga limpias las conexiones, los muelles y los mandos. Limpie todo resto de combustible de la zona que rodea al silenciador y de detrás del mismo. Inspeccione las ranuras para aire de enfriamiento y la apertura del generador. Estas aperturas deberán mantenerse limpias y despejadas.

Mantenga limpios los componentes del generador para reducir el riesgo de sobrecalentamiento e ignición de los residuos acumulados.

- Utilice un trapo húmedo para limpiar las superficies exteriores.

AVISO

El tratamiento inadecuado del generador puede dañarlo y acortar su vida productiva.

- NO esponga al generador a una humedad excesiva, polvo, suciedad o vapores corrosivos.
- NO inserte cualquier objeto a través de las ranuras de enfriamiento.

- Puede usar un cepillo de cerdas suaves para retirar la suciedad endurecida, aceite, etc.
- Puede usar una máquina aspiradora para eliminar suciedad y residuos sueltos.

Mantenimiento de la batería

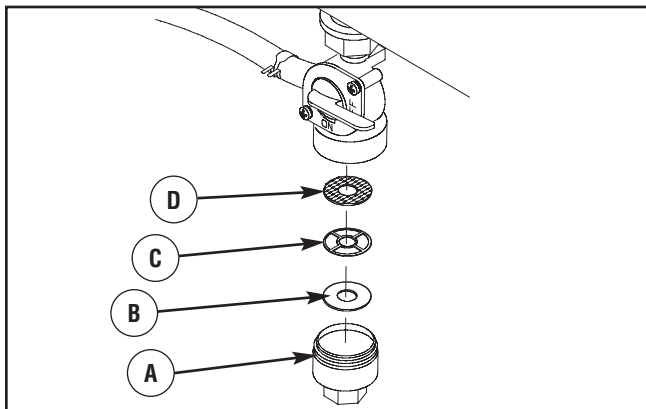
La batería inicial no requiere ningún mantenimiento a excepción de la carga de flotación, que se describe en otro apartado. Mantenga la batería y los terminales limpios y secos.

IMPORTANTE: La carga de la batería se debe realizar en un lugar seco, como el interior de un garaje.

Mantenimiento de la válvula de combustible

La válvula de combustible está equipada con un recipiente para sedimentos, un filtro, un anillo de retención y una junta tórica que deben limpiarse cada 100 horas de funcionamiento o una vez al año, lo que suceda antes, de ese momento en adelante.

1. Sitúe la válvula de combustible en la posición "Off".
2. Extraiga el recipiente para sedimentos (A) de la válvula de combustible. Retire la junta tórica (B), el anillo de retención (C) y el filtro de la válvula (D).



3. Lave el recipiente para sedimentos, la junta tórica, el anillo de retención y el filtro con disolvente no inflamable. Séquelos perfectamente.
4. Sitúe el filtro, el anillo de retención y la junta tórica en la válvula de combustible. Instale el recipiente para sedimentos y apriételo firmemente.
5. Sitúe la válvula de combustible en la posición "On" y compruebe si hay fugas. En caso afirmativo, sustituya la junta tórica.

Mantenimiento

Mantenimiento del motor

⚠ ADVERTENCIA



Chispear involuntario puede tener como resultado el fuego o el golpe eléctrico.

CUANDO AJUSTE O HAGA REPARACIONES A SU MÁQUINA GENERADOR

- Siempre desconecte el alambre de la bujía y colóquelo donde no pueda entrar en contacto con la bujía.

CUANDO PRUEBE LA BUJÍA DEL MOTOR

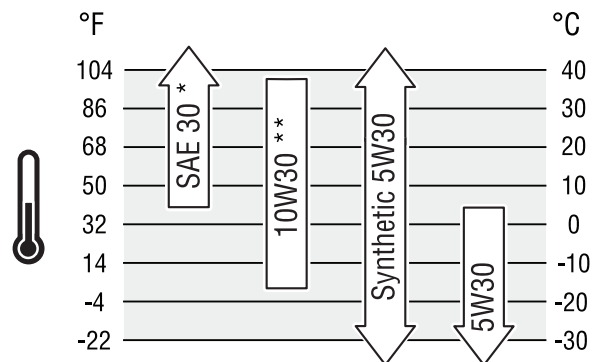
- Utilice un comprobador de bujías homologado.
- NO compruebe la chispa sin la bujía instalada.

Aceite

Recomendaciones sobre el aceite

Para obtener el mejor rendimiento, recomendamos utilizar aceites certificados con garantía Briggs & Stratton. También se pueden utilizar otros aceites detergentes de alta calidad con clasificación de servicio SF, SG, SH, SJ o superior. NO utilice aditivos especiales.

Las temperaturas exteriores determinan la viscosidad adecuada del aceite para el motor. Utilice el cuadro para seleccionar la mejor viscosidad para el intervalo de temperatura exterior previsto.



* Por debajo de 4 °C (40 °F), el uso de aceite SAE 30 provocará dificultades de arranque.

** Por encima de 27 °C (80 °F) el uso de aceite 10W30 puede aumentar el consumo de aceite. Compruebe el nivel de aceite con mayor frecuencia.

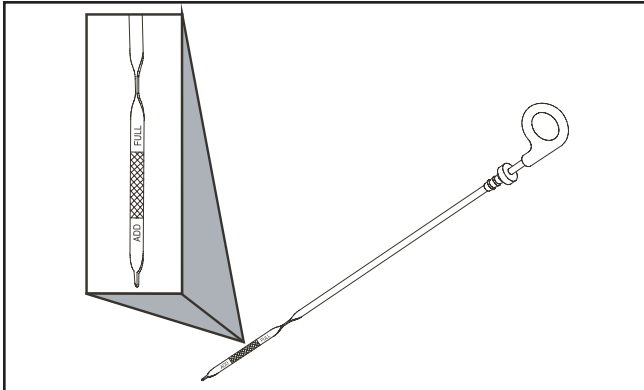


NOTA: Todo aceite sintético que cumpla las especificaciones ILSAC GF-2, con marca de certificación API y con símbolo de servicio API (se muestra a la izquierda) con "SJ/CF ENERGY CONSERVING" o superior es un aceite aceptable a todas las temperaturas. El uso de aceite sintético no altera los intervalos de cambio de aceite indicados.

Comprobación del nivel de aceite

Compruebe el nivel de aceite antes de cada uso o cada 8 horas de funcionamiento, como mínimo. Rellene si es necesario.

1. Coloque el generador sobre una superficie nivelada.
2. Limpie la zona de alrededor de la varilla de nivel de aceite, saque la varilla y límpiela con un paño limpio. Inserte la varilla firmemente, vuelva a sacarla y compruebe el nivel de aceite.
3. Compruebe que el aceite llega hasta la marca "Full" (Lleno) de la varilla. Inserte firmemente la varilla antes de poner en marcha el motor.



Adición de aceite del motor

1. Coloque el generador sobre una superficie nivelada.
2. Compruebe el nivel de aceite tal como se indica en la sección *Comprobación del nivel de aceite*.
3. Si es necesario, quite el tapón de llenado de aceite y vierta aceite lentamente por la abertura de llenado hasta alcanzar la marca "Full" (Lleno) de la varilla. NO añada aceite en exceso.

AVISO
El llenado de aceite en exceso puede impedir el arranque del motor o provocar dificultades de arranque.
<ul style="list-style-type: none">• NO llene en exceso.• Si el nivel de aceite está por encima de la marca FULL (LLENO) de la varilla, vacíe aceite para reducir el nivel hasta la marca FULL (LLENO) de la varilla.

4. Coloque y apriete el tapón de llenado de aceite y la varilla de nivel.

Cambio de aceite del motor y filtro

Cambie el aceite después de las primeras 8 horas de operación. Cambie el aceite y filtro cada 100 horas o una vez al año, lo que suceda antes, de ese momento en adelante. Si está utilizando su generador bajo condiciones de extrema suciedad o polvo, o en un clima demasiado caliente, haga el cambio de aceite cada 50 horas.

AVISO

Evite el contacto prolongado o repetido de piel con aceite usado de motor.

- El aceite usado del motor ha sido mostrado al cáncer de la piel de la causa en ciertos animales del laboratorio.
- Completamente lavado expuso áreas con el jabón y el agua.



MANTENER FUERA DEL ALCANCE DE LOS NIÑOS. NO CONTAMINE. CONSERVE LOS RECURSOS. DEPOSITE EL ACEITE USADO EN UN PUNTO DE RECOGIDA.

Cambie el aceite cuando el motor siga estando caliente después de haber funcionado:

1. Asegúrese de que la unidad esté en una superficie plana.
2. Desconecte el cable de la bujías de esta y colóquelo donde no pueda entrar en contacto con la bujías.
3. Limpie la zona de alrededor del tapón de vaciado de aceite, situado en la base del motor.
4. Quite los tapones de vaciado y de llenado de aceite y vacíe todo el aceite en un recipiente adecuado.
5. Coloque el tapón de vaciado y apriételo bien.
6. Coloque un recipiente adecuado debajo del filtro de aceite y gire el filtro hacia la izquierda para extraerlo.
7. Lubrique ligeramente con aceite de motor sin usar la junta de un filtro nuevo. Gire el filtro nuevo hacia la derecha hasta que la junta entre en contacto con el adaptador del filtro y gire 3/4 de vuelta más.
8. Quite la varilla de nivel de aceite.
9. Vierta lentamente 1 litro (32 onzas) del aceite recomendado por el orificio de llenado.
10. Arranque el motor y déjelo funcionar durante 30 segundos. Pare el motor y espere 30 segundos para que el aceite se asiente.
11. Añada aceite hasta llegar a la marca "Full" (Lleno) de la varilla de nivel de aceite. Limpie la varilla siempre que compruebe el nivel de aceite. NO añada aceite en exceso.

NOTA: El motor contiene aproximadamente 1,4 litros (48 onzas) de aceite cuando se cambia el aceite y el filtro.

12. Vuelva a colocar el tapón de llenado de aceite y la varilla de nivel. Apriete bien el tapón de llenado de aceite.
13. Limpie los residuos de aceite.
14. Conecte de nuevo alambre de bujías al bujías.

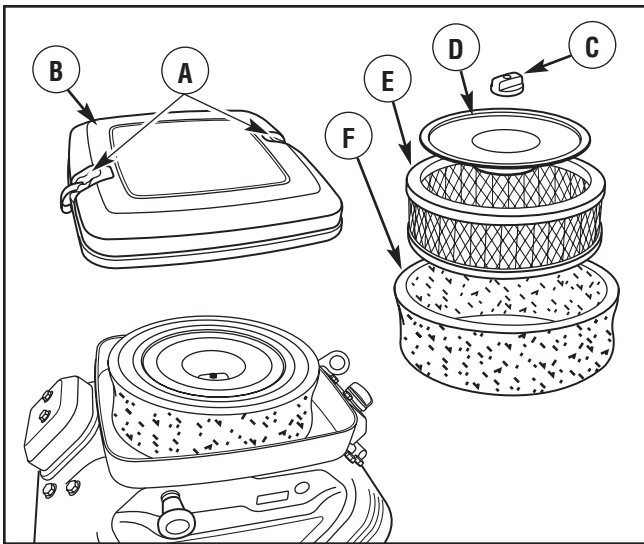
Servicio del depurador de aire

Si se utiliza con un filtro de aire sucio, el motor no funcionará correctamente y puede sufrir daños.

Limpie el prefiltro de espuma cada 25 horas de operación o más pronto si está bajo condiciones de suciedad. Limpie o reemplace el filtro de papel del depurador de aire cada 100 horas de operación o una vez al año, lo que suceda primero. Límpielo o reemplácelo más a menudo si la unidad funciona bajo condiciones de suciedad o polvo excesivo.

Para dar servicio al filtro de aire, siga los pasos que se detallan a continuación:

1. Quite los pestillos (A) situados a ambos lados de la tapa (B) y quite la tapa.

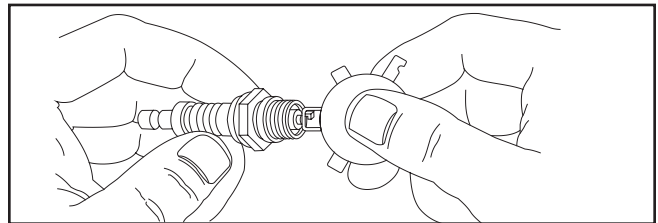


2. Retire el pomo (C) y la placa (D). Quite con cuidado el conjunto del filtro de aire para evitar la entrada de residuos en el carburador.
3. Extraiga el prefiltro de espuma (F) del cartucho (E) y límpielo con detergente líquido y agua.
4. Apriete el prefiltro con un trapo limpio para secarlo. NO LO RETUERZA.
5. Golpee suavemente el cartucho contra una superficie firme para soltar y eliminar las partículas que hayan quedado retenidas.
6. Vuelva a montar el prefiltro limpio (o nuevo) en el cartucho limpio (o nuevo).
7. Instale un conjunto de filtro de aire limpio (o nuevo) en el interior de la tapa. Deseche el filtro viejo con arreglo a la normativa vigente.
8. Vuelva a colocar el pomo y la placa.
9. Coloque de nuevo la tapa y cierre los pestillos.

Servicio del bujías

Cambie la bujías cada 100 horas de funcionamiento o una vez al año, lo que suceda antes. Esto ayudará a su motor a arrancar más fácilmente y funcionar mejor.

1. Limpie la zona de alrededor de la bujías.
2. Retire e inspeccione la bujías.
3. Compruebe la separación del electrodo con un calibrador de alambre y ajuste el espacio de la bujía a la medida recomendada si fuera necesario (véase *Especificaciones*).



4. Cambie la bujías si los electrodos están picados o quemados o si la porcelana está agrietada. Utilice la bujías de repuesto recomendada. Consulte *Especificaciones*.
5. Instale la bujías y apriete firmemente.

Limpie la pantalla apagachispas

El silenciador del escape del motor posee una pantalla apagachispas. Inspeccione y limpie la pantalla cada 50 horas de operación o una vez al año, lo que suceda primero.

El generador tendrá que tener un apagachispas si lo usa en terrenos no tratados cubiertos de monte, maleza o pasto. El apagachispas deberá ser mantenido en buenas condiciones por parte del propietario/operador.



ADVERTENCIA



El contacto con la zona del silenciador puede producir quemaduras graves.

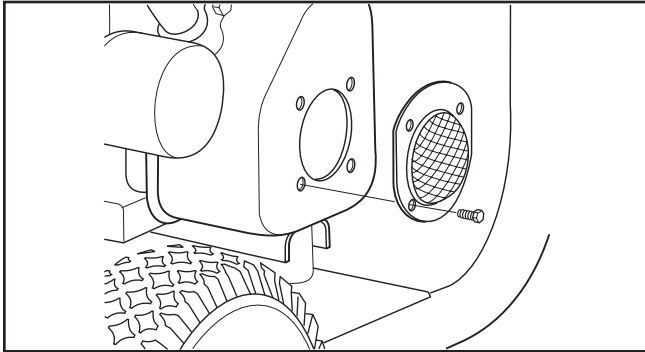


Los gases y el calor de escape pueden inflamar los materiales combustibles y las estructuras o dañar el depósito de combustible y provocar un incendio.

- NO toque las superficies calientes y EVITE los gases del escape a alta temperatura.
- Permita que el equipo se enfríe antes de tocarlo.
- Deje un espacio mínimo de 1.5 m (5 pies) alrededor del generador, incluida la parte superior.
- El Código de Normativa Federal (CFR, Título 36: Parques, Bosques y Propiedad Pública) obliga a instalar una pantalla apagachispas en los equipos con motor de combustión interno y a mantenerla en buenas condiciones de funcionamiento, conforme a la norma 5100-1C (o posterior) del Servicio Forestal de la USDA. En el Estado de California, la ley exige el uso de una pantalla apagachispas (Sección 4442 del Código de Recursos Públicos de California). En otros estados puede haber leyes similares en vigor.

Limpie e inspeccione el apagachispas de la siguiente manera:

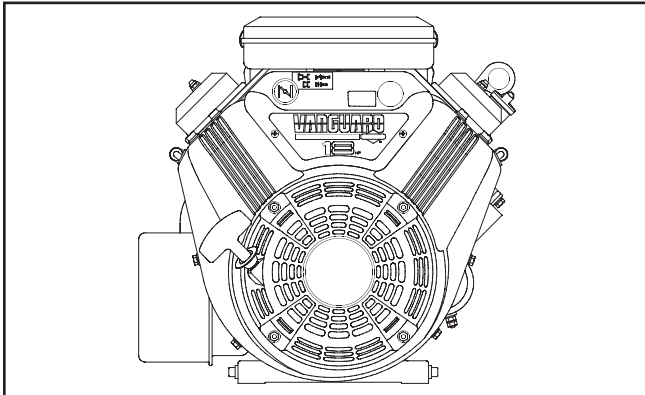
1. Retire los cuatro tornillos que están sujetando la pantalla del apagachispas.



2. Inspeccione la pantalla y reemplácela si está rota, perforada o en general dañada. NO use pantallas defectuosas. Si la pantalla no está dañada, límpiela con un disolvente comercial.
3. Vuelva a instalar la pantalla usando los cuatro tornillos.

Sistema de refrigeración de aire

Con el tiempo, se pueden acumular residuos en las aletas de refrigeración del cilindro y pasar inadvertidos mientras no se desmonte parcialmente el motor. Recomendamos que encargue la limpieza del sistema de refrigeración a un distribuidor autorizado siguiendo los intervalos recomendados (consulte la sección *Plan de Mantenimiento* en la sección *Mantenimiento*). Es igualmente importante que no se acumulen residuos en la parte superior del motor ni en la pantalla giratoria. Consulte la sección *Limpieza*.



Comprobación de holgura de la válvula

Si comprueba y ajusta la holgura de la válvula regularmente, el funcionamiento del motor mejorará y tendrá una mayor vida útil. Este procedimiento no puede llevarse a cabo sin desmontar parcialmente el motor y sin usar herramientas especiales. Por esta razón, le recomendamos que un distribuidor autorizado compruebe y ajuste la holgura de la válvula siguiendo los intervalos recomendados (consulte la sección *Plan de Mantenimiento* en la sección *Mantenimiento*).

Ajuste del carburador

El carburador de este motor es de baja emisión. Está equipado con una válvula de mezcla de ralentí no ajustable y, en algunos casos, con ralentí regulado. Los niveles de ralentí regulado y velocidad máxima se ajustan en la fábrica. Si es necesario modificarlos, acuda a un distribuidor de servicio.



PRECAUCIÓN

Las velocidades de operación en exceso, aumentan los riesgos de heridas y daños al generador.

Las velocidades bajas en exceso, imponen una carga muy pesada.

- NO cambie ninguna velocidad determinada. El generador suministra una frecuencia y un voltaje calificado cuando funciona a una velocidad determinada.
- NO modifique al generador en ninguna forma.

Almacenamiento

El generador deberá ser encendido al menos una vez cada siete días y deberá dejarlo funcionar al menos durante 30 minutos. Si no puede hacer esto y debe almacenar la unidad por más de 30 días, siga las siguientes instrucciones para preparar su unidad para almacenamiento.

Generador

1. Limpie el generador como está descrito en *Limpieza* en la sección *Mantenimiento*.
2. Revise que las ranuras para el aire de enfriamiento y las aperturas del generador se encuentren abiertas y despejadas.

Almacenamiento para periodos prolongados

El combustible puede estar pasado 30 días después de su almacenamiento. El combustible pasado provoca la formación de residuos ácidos y de carbonilla en el circuito de combustible y en los componentes básicos del carburador. Para mantener el combustible en buen estado, utilice el estabilizador de combustible FRESH START™ de Briggs & Stratton en cualquiera de sus variantes: líquido o cartucho concentrado con goteo.

Si se añade un estabilizador de combustible conforme a las instrucciones, no será necesario vaciar el motor de combustible. Haga funcionar el motor durante dos minutos para que el estabilizador circule por todo el circuito de combustible. El motor y el combustible se pueden almacenar hasta 24 meses.

Si no se ha añadido un estabilizador de combustible a la gasolina, deberá vaciar completamente el motor utilizando un contenedor homologado. Deje funcionar el motor hasta que se agote el combustible. Se recomienda utilizar un estabilizador de combustible en el contenedor de almacenamiento para mantener la gasolina en buen estado.

ADVERTENCIA



La combustible y sus vapores son extremadamente inflamables y explosivos.



El fuego o una explosión pueden causar quemaduras severas e inclusive la muerte.

CUANDO ALMACENE O GUARDE EL EQUIPO CON COMBUSTIBLE EN EL TANQUE

- Almacene alejado de calderas, estufas, calentadores de agua, secadoras de ropa u otros aparatos electrodomésticos que posean pilotos u otras fuentes de ignición, porque ellos pueden encender los vapores de la combustible.

CUANDO VACÍE EL DEPÓSITO

- Apague el generador (posición OFF) y déjelo enfriar al menos por 2 minutos antes de remover la tapa de la combustible. Afloje la tapa lentamente para dejar que la presión salga del tanque.
- Vacíe el depósito de combustible a la intemperie.
- Mantenga la combustible alejada de chispas, llamas abiertas, pilotos, calor y otras fuentes de ignición.
- NO encienda un cigarrillo o fume.

Cambio de aceite

Con el motor todavía caliente, drene el aceite de la caja del cigüeñal. Vuelva a llenarlo con el grado de aceite recomendado.

Aceite el diámetro interior del cilindro

- Quite la bujía y vierta aproximadamente 30 ml (1 onza) de aceite de motor limpio en el interior del cilindro.
- Coloque la bujía y arranque lentamente para distribuir el aceite.

ADVERTENCIA



Chispear involuntario puede tener como resultado el fuego o el golpe eléctrico.

- NUNCA arranque el motor sin la bujías instalada.

Otras sugerencias para el almacenamiento

1. NO guarde combustible de una temporada a otra a menos que lo haya tratado como se indica en la sección *Almacenamiento Para Periodos Prolongados*.
2. Cambie el contenedor de combustible si este empieza a oxidarse. El combustible contaminado provocará problemas en el motor.
3. Si es posible, guarde la unidad en un espacio interior y protéjala del polvo y la suciedad.
4. Cubra la unidad con una funda adecuada que no retenga la humedad.

ADVERTENCIA



Las cubiertas para almacenamiento pueden ser inflamables.

- NO coloque una cubierta encima de un generador caliente.
- Deje que la unidad se enfríe lo suficientemente antes de que le coloque la cubierta.

5. Almacene el generador en una zona limpia y seca.

Resolución de problemas

Problema	Causa	Acción
El motor está funcionando pero no existe salida de AC disponible.	<ol style="list-style-type: none"> 1. El interruptor automático de circuito está abierto. 2. Conexión mal o defectuosa del juego de cables. 3. El dispositivo conectado está dañado. 4. Avería en el generador. 	<ol style="list-style-type: none"> 1. Reposicione el interruptor. 2. Revise y repare. 3. Conecte otro dispositivo que esté buenas condiciones. 4. Contacte el distribuidor de servicio autorizado.
El motor funciona bien sin carga pero "funciona mal" cuando se le conectan cargas.	<ol style="list-style-type: none"> 1. Corto circuito en una de las cargas conectadas. 2. El generador está sobrecarga. 3. Velocidad del motor es muy lenta. 4. Circuito del generador en corto. 5. Filtro de combustible obstruido o sucio. 	<ol style="list-style-type: none"> 1. Desconecte la carga eléctrica en corto. 2. <i>Vea No Sobrerecarque Generador.</i> 3. Contacte el distribuidor de servicio autorizado. 4. Contacte el distribuidor de servicio autorizado. 5. Limpie o cambie el filtro de combustible.
El motor no se enciende; o se enciende y funciona mal.	<ol style="list-style-type: none"> 1. Válvula del combustible en posición "Off". 2. Interruptor run/stop poscioando en "Stop". 3. La batería defectuosa. 4. Nivel de aceite insuficiente. 5. Depurador de aire sucio. 6. Filtro de combustible obstruido o sucio. 7. Sin combustible. 8. Combustible vieja. 9. El cable de la bujía no está en malas la bujía. 10. Bujía defectuosa. 11. Agua en la combustible. 12. Sobrecebado. 13. Mezcla de combustible excesivamente rica. 14. La válvula de entrada está atascada está cerrada. 15. El motor ha perdido compresión. 	<ol style="list-style-type: none"> 1. Gire la válvula del combustible a la posición "On". 2. Coloque del interruptor run/stop en "Run". 3. Reemplace batería. 4. Llene el cárter hasta el nivel correcto o sitúe el generador en una superficie plana. 5. Limpie o reemplace el depurador de aire. 6. Limpie o cambie el filtro de combustible. 7. Llénelo con combustible fresco. 8. Drene el tanque de gasolina; llénelo con combustible fresco. 9. Conecte el cable a la bujía. 10. Reemplace la bujía. 11. Drene el tanque de gasolina; llénelo con combustible fresco. 12. Abra por completo el cebador y haga girar el motor. 13. Contacte el distribuidor de servicio autorizado. 14. Contacte el distribuidor de servicio autorizado. 15. Contacte el distribuidor de servicio autorizado.
El motor se apaga en pleno funcionamiento.	<ol style="list-style-type: none"> 1. Sin gasolina. 2. Filtro de combustible obstruido o sucio. 3. Nivel de aceite insuficiente. 	<ol style="list-style-type: none"> 1. Llene el tanque de combustible. 2. Limpie o cambie el filtro de combustible. 3. Llene el cárter hasta el nivel correcto o sitúe el generador en una superficie plana.
Al motor le hace falta potencia.	<ol style="list-style-type: none"> 1. La carga es muy alta. 2. Filtro de aire sucio. 3. Filtro de combustible obstruido o sucio. 	<ol style="list-style-type: none"> 1. <i>Vea No Sobrerecarque Generador.</i> 2. Reemplace el filtro de aire. 3. Limpie o cambie el filtro de combustible.
El motor "no funciona continuamente" o se detiene.	<ol style="list-style-type: none"> 1. Carburador con mezcla de aire-combustible muy rica o muy pobre. 2. Filtro de combustible obstruido o sucio. 	<ol style="list-style-type: none"> 1. Contacte el distribuidor de servicio autorizado. 2. Limpie o cambie el filtro de combustible.

Garantías

Garantía del sistema de control de emisiones

Briggs & Stratton Corporation (B&S), el California Air Resources Board (CARB, Consejo de recursos de aire de California) y la United States Environmental Protection Agency (U.S. EPA, Agencia estadounidense de protección del medioambiente)

Declaración de garantía del sistema de control de emisiones (derechos y obligaciones del propietario para la garantía contra defectos)

Garantía contra defectos del sistema de control de emisiones de California, Estados Unidos y Canadá

California Air Resources Board (CARB), U.S. EPA y B&S le explican a continuación la garantía del sistema de control de emisiones de su pequeño motor para máquinas de servicio (SORE, Small Offroad Engine). En California, los modelos de pequeños motores para máquinas de servicio a partir del año 2006 deben estar diseñados, fabricados y equipados conforme a los exigentes estándares de lucha contra la contaminación del Estado. En otros lugares de Estados Unidos, los modelos de motores para máquinas de servicio con encendido por bujía a partir del año 1997 deben cumplir normas similares determinadas por la U.S. EPA. B&S debe garantizar el sistema de control de emisiones de su motor durante los períodos que se indican a continuación, siempre que no se haya hecho un uso indebido o negligente ni un mantenimiento inadecuado del pequeño motor para máquinas de servicio.

El sistema de control de emisiones incluye las siguientes piezas: carburador, filtro de aire, sistema de encendido, conducto de combustible, silenciador y convertidor catalítico. También puede incluir conectores y otros conjuntos relacionados con las emisiones.

Si se cumplen las condiciones de la garantía, B&S reparará el motor sin coste alguno, incluido el diagnóstico, las piezas y la mano de obra.

Cobertura de la garantía contra defectos del sistema de control de emisiones de Briggs & Stratton

Los pequeños motores para máquinas de servicio están garantizados contra defectos de las piezas de control de emisiones durante un período de dos años, conforme a las siguientes disposiciones. Si cualquier pieza del motor con cobertura es defectuosa, será reparada o sustituida por B&S.

Responsabilidades de la garantía del propietario

Como propietario del pequeño motor para máquinas de servicio, usted es responsable de la correcta realización de las operaciones de mantenimiento que se enumeran en las Instrucciones de uso y mantenimiento. B&S recomienda conservar todas las facturas relativas al mantenimiento del motor, pero B&S no puede denegar la garantía basándose únicamente en la falta de facturas o en la imposibilidad por parte del propietario de asegurar la correcta realización de todas las operaciones de mantenimiento.

Como propietario del pequeño motor para máquinas de servicio, debe ser consciente de que B&S puede denegar la cobertura de la garantía si el motor o uno de sus componentes falla debido a un uso indebido o negligente, un mantenimiento inadecuado o modificaciones no autorizadas.

Usted es responsable de presentar su pequeño motor para máquinas de servicio a un distribuidor autorizado de servicio B&S en el momento en que surja un problema. Las reparaciones cubiertas por la garantía se llevarán a cabo en un plazo razonable, no superior a 30 días en ningún caso.

En caso de preguntas sobre los derechos y responsabilidades relativos a la garantía, consulte con un representante de servicio de B&S llamando al 1-414- 259-5262.

La garantía de emisiones es una garantía contra defectos. Los defectos se juzgan en función del rendimiento normal del motor. La garantía no dependerá de ninguna prueba de emisiones en funcionamiento.

Disposiciones de la garantía contra defectos del sistema de control de emisiones de Briggs & Stratton

A continuación se detallan las disposiciones concretas relativas a la Cobertura de la garantía contra defectos del sistema de control de emisiones. Se añaden a la garantía de motores de B&S para motores no regulados, que figura en el Manual del Operario.

1. Piezas garantizadas

La presente garantía cubre únicamente las piezas que se enumeran a continuación (piezas del sistema de control de emisiones) siempre que tales piezas estuvieran presentes en el motor adquirido.

- a. Sistema de regulación de combustible
 - Sistema de enriquecimiento para arranque en frío (estrangulador electrónico)
 - Carburador y piezas internas
 - Bomba de combustible
 - Conducto de combustible, acoplamiento del conducto de combustible, abrazaderas
 - Depósito de combustible, tapón y cadena
 - Bote de carbono
- b. Sistema de inducción de aire
 - Filtro de aire
 - Colector de admisión
 - Línea de purga y ventilación
- c. Sistema de encendido
 - Bujía(s)
 - Sistema de encendido magnético
- d. Sistema catalizador
 - Convertidor catalítico
 - Colector de escape
 - Sistema de inyección de aire o válvula de impulso

- e. Elementos diversos utilizados en los sistemas anteriores
 - Válvulas y conmutadores de aspiración, temperatura, posición y temporizados
 - Conectores y unidades
2. Duración de la cobertura
 B&S garantiza al propietario inicial y a cada comprador posterior que las piezas garantizadas no tendrán defectos de materiales ni de mano de obra que provoquen su fallo durante un período de dos años a partir de la fecha de entrega del motor a su comprador.
 3. Servicio gratuito
 La reparación o sustitución de toda pieza garantizada se realizará sin cargo alguno para el propietario, incluido el trabajo de diagnóstico que permita determinar que la pieza garantizada es defectuosa, siempre que se realice en un distribuidor autorizado de servicio B&S. En el caso del servicio de garantía de emisiones, póngase en contacto con el distribuidor autorizado de servicio B&S, que figurará en las Páginas Amarillas, en la sección de "Motores de gasolina", "Gasolina, motores", "Cortacéspedes" o similar.
 4. Solicitudes y exclusiones de cobertura
 Las solicitudes de garantía se cumplimentarán con arreglo a las disposiciones de la Política de garantía de motores B&S. La cobertura no incluye los fallos de piezas garantizadas que no sean originales de B&S ni los fallos debidos al uso indebido o negligente o al mantenimiento inadecuado, conforme a las disposiciones de la Política de garantía de motores B&S. B&S no será responsable de la cobertura de fallos de piezas garantizadas provocados por el uso de piezas complementarias, no originales o modificadas.
 5. Mantenimiento
 Los fallos de toda pieza garantizada que no se deba sustituir como parte del plan de mantenimiento obligatorio o que sólo se deba inspeccionar periódicamente para proceder a su "reparación o cambio en caso de ser necesario" quedarán cubiertos durante el período de garantía. Los fallos de toda pieza garantizada que deba sustituirse como parte del mantenimiento obligatorio quedarán cubiertos únicamente durante el período comprendido entre la compra y la primera sustitución indicada en el plan de mantenimiento. En las operaciones de mantenimiento y reparación, se podrá utilizar cualquier pieza de recambio de rendimiento y durabilidad equivalentes. El propietario es responsable del cumplimiento de todas las operaciones de mantenimiento obligatorio que se definen en el manual del operario de B&S.
 6. Cobertura de daños derivados
 La cobertura se ampliará a los fallos de cualquier componente del motor derivados del fallo de cualquier pieza garantizada y cubierta por la garantía.

Información sobre emisiones

Los motores con certificación de cumplimiento de la normativa sobre emisiones del California Air Resources Board (CARB) deben mostrar información sobre el período de durabilidad de las emisiones y el índice de aire. El fabricante del motor ofrece esta información al consumidor mediante etiquetas de emisiones. La etiqueta de emisiones del motor contiene la información de certificación.

El **Período de Durabilidad de las Emisiones** indica el número de horas durante las cuales el motor puede funcionar cumpliendo las normas sobre emisiones, siempre que se realicen las operaciones de mantenimiento que se detallan en las instrucciones de uso y mantenimiento. Se utilizan las siguientes categorías:

Moderado: El motor está certificado para cumplir la normativa sobre emisiones durante 125 horas de funcionamiento real.

Intermedio: El motor está certificado para cumplir la normativa sobre emisiones durante 250 horas de funcionamiento real.

Prolongado: El motor está certificado para cumplir la normativa sobre emisiones durante 500 horas de funcionamiento real.

Por ejemplo, un cortacésped con operario a pie se suele utilizar entre 20 y 25 horas al año. Por tanto, el **Período de Durabilidad de las Emisiones** de un motor con clasificación **intermedia** equivaldría a 10-12 años.

Algunos motores cuentan con la certificación de cumplimiento de la fase 2 de las normas sobre emisiones de la United States Environmental Protection Agency (USEPA, Agencia estadounidense de protección del medioambiente). En el caso de los motores con certificación de fase 2, el período de cumplimiento de la normativa sobre emisiones que figura en la etiqueta de cumplimiento de emisiones indica el número de horas de funcionamiento durante las cuales el motor ha demostrado cumplir los requisitos federales sobre emisiones.

Para motores de menos de 225 cc:

Categoría C = 125 horas

Categoría B = 250 horas

Categoría A = 500 horas.

Para motores de 225 cc o más:

Categoría C = 250 horas

Categoría B = 500 horas

Categoría A = 1000 horas.

**POLÍTICA DE GARANTÍA PARA EL PROPIETARIO DE GENERADOR DE PRO-SERIE
BRIGGS & STRATTON POWER PRODUCTS GROUP, LLC**

Fecha de entrada en vigor: 1 de Diciembre de 2005. Sustituye a todas las garantías sin fecha y a las de fecha anterior al 1 de Diciembre de 2005

GARANTÍA LIMITADA

Briggs & Stratton Power Products Group, LLC reparará o sustituirá sin cargo alguno cualquier componente del generador portátil que presente defectos de materiales y/o mano de obra. Los gastos de transporte de las productos enviadas para reparar o sustituir conforme a los términos de esta garantía correrán a cargo del comprador. El periodo de vigencia y las condiciones de esta garantía son los que se estipulan a continuación. Para obtener servicio en garantía, localice el distribuidor de servicio autorizado más próximo en nuestro mapa de distribuidores, en www.BRIGGSandSTRATTON.COM.

NO EXISTE NINGUNA OTRA GARANTÍA EXPLÍCITA. LAS GARANTÍAS IMPLÍCITAS, INCLUIDAS LAS DE COMERCIABILIDAD O IDONEIDAD PARA UN FIN CONCRETO, SE LIMITAN A UN AÑO DESDE LA FECHA DE COMPRA O AL LÍMITE DE TIEMPO PERMITIDO POR LA LEY. QUEDAN EXCLUIDAS TODAS LAS GARANTÍAS IMPLÍCITAS QUEDA EXCLUIDA LA RESPONSABILIDAD POR DAÑOS SECUNDARIOS Y DERIVADOS HASTA EL LÍMITE PERMITIDO POR LA LEY. Algunos países o estados no permiten limitar la duración de una garantía implícita ni excluir o limitar los daños secundarios y derivados. Por tanto, es posible que las limitaciones y exclusiones mencionadas no sean aplicables en su caso. Esta garantía le otorga determinados derechos legales y es posible que tenga otros derechos que pueden variar de un país o estado a otro.

PERÍODO DE GARANTÍA

	Motor	Todos los otros componentes
Uso del consumidor	2 Años	2 Años*
Uso comercial	2 Años	2 Años*

* Segundo año despide sólo

El período de garantía comienza en la fecha de compra del primer usuario final y se prolonga durante el tiempo especificado. "Uso del consumidor" significa uso doméstico personal por parte de un consumidor final. "Uso comercial" significa cualquier otro uso, incluidos los usos con fines comerciales, de generación de ingresos o alquiler. Una vez que el equipo se haya usado con fines comerciales, se considerará como equipo de uso comercial a efectos de esta garantía. Los equipos utilizados para suministrar energía en sustitución de un servicio público no pueden acogerse a esta garantía.

NO ES NECESARIO REGISTRAR LA GARANTÍA PARA OBTENER SERVICIO DE BRIGGS & STRATTON PRODUCTS. GUARDE SU RECIBO DE COMPRA. SI NO APORTA LA PRUEBA DE LA FECHA DE COMPRA INICIAL, SE UTILIZARÁ LA FECHA DE FABRICACIÓN DEL PRODUCTO PARA DETERMINAR EL PERÍODO DE GARANTÍA.

ACERCA DE LA EQUIPO GARANTÍA

Esperamos que disfrute de nuestra garantía y le pedimos disculpas por las molestias causadas. Cualquier distribuidor de servicio autorizado puede llevar a cabo reparaciones en garantía. La mayoría de las reparaciones en garantía se gestionan normalmente, pero algunas veces la solicitud de servicio en garantía puede no ser procedente. Por ejemplo, la garantía no será válida si el equipo presenta daños debidos al mal uso, la falta de mantenimiento, el transporte, la manipulación, el almacenamiento o la instalación inadecuados. De manera similar, la garantía quedará anulada si se ha borrado la fecha de fabricación o el número de serie del generador portátil, o si el equipo ha sido alterado o modificado. Durante el período de garantía, el distribuidor de servicio autorizado podrá reparar o sustituir, a su libre elección, cualquier pieza que, previa inspección, sea defectuosa en condiciones normales de uso y servicio. Esta garantía no cubre las reparaciones y equipos que se detallan a continuación:

- **Desgaste normal:** Al igual que cualquier otro aparato mecánico, los equipos de uso en exteriores necesitan piezas y mantenimiento periódicos para funcionar correctamente. Esta garantía no cubre las reparaciones cuando el uso normal haya agotado la vida útil de una pieza concreta del equipo.
- **Instalación y mantenimiento:** Esta garantía no cubre los equipos ni las piezas cuya instalación sea incorrecta o no haya sido autorizada, ni aquellos que hayan sido objeto de cualquier tipo de alteración, mal uso, negligencia, accidente, sobrecarga, exceso de velocidad o mantenimiento, reparación o almacenamiento inadecuados que, a nuestro juicio, haya afectado negativamente a su funcionamiento y su fiabilidad. La garantía tampoco cubre el mantenimiento normal, como los ajustes y la limpieza, o la obstrucción del sistema de combustión (debido a materias químicas, suciedad, carbón, cal, etc.).
- **Otras exclusiones:** También quedan excluidos de esta garantía el desgaste de los artículos tales como juntas tóricas, filtros, etc., o los daños derivados de accidentes, uso indebido, modificaciones, alteraciones, servicio inadecuado, congelación o deterioro químico. Los accesorios tales como juego de cables del adaptador del generador y cubiertas para almacenamiento quedan excluidos de la garantía del producto. Esta garantía excluye los fallos debidos a hechos fortuitos y a otros acontecimientos de fuerza mayor que escapan al control del fabricante. También se excluyen los equipos usados o reacondicionados y los destinados a demostraciones; los equipos utilizados como fuente principal de energía en lugar de un servicio público y los equipos sanitarios destinados al mantenimiento de las constantes vitales. 198184S, Rev. C, 12/31/2006

**BRIGGS & STRATTON POWER PRODUCTS GROUP, LLC
JEFFERSON, WI, EE.UU**

Garantía



Generador Portátil

Especificaciones del producto

Vataje que Empieza	12,500 Vatios
Vataje	10,000 Vatios
Corriente valorada de Carga de C.A.:	
a 240 Voltios	41.6 Amperios
a 120 Voltios	83.3 Amperios
Frecuencia Nominal	.60 Hz at 3600 rpm
Fase	Monofásica
Peso que Embarca	126 kg (278 lbs.)
Desplazamiento	.50 cc (34.75 cu. in.)
Bujía Separación	.076 mm (0.030 in.)
Capacidad de Gasolina	.26.5 Litros (7 galones americanos)
Capacidad de Aceite (con filtro)	1.4 Litros (48 Onzas)

Servicio común despide

Depurador de aire w/Prefiltro	.5050D
Depurador de aire	.394018S
Prefiltro	.272490S
Filtro de aceite	.492932S or 5049D
Filtro de aceite de larga duración	.696854 or 5076D
Bujía de reóstato	.491055S
Botella de aceite de motor	.100005 or 100028
Botella de aceite sintético	.100074
Estabilizador de combustible	.100002 or 5041D
Apagachispas	.392390

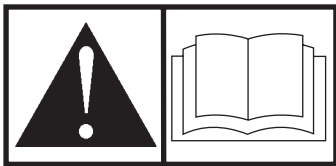
Potencia nominal: El valor de potencia bruta de cada modelo de motor de gasolina se indica en la etiqueta conforme a los requisitos del código J1940 (Procedimiento de valoración de potencia y par de pequeños motores) de la SAE (Society of Automotive Engineers, Sociedad de ingenieros de automoción). Los valores nominales se han obtenido y corregido conforme al código SAE J1995 (Revisión 2002-05). Los valores de par se obtienen a 3060 rpm, y los valores de potencia, a 3600 rpm. La potencia bruta real del motor será inferior y dependerá, entre otros factores, de las condiciones ambientales de uso y de las variaciones entre distintos motores del mismo modelo. Dada la amplia variedad de productos que utilizan nuestros motores y la multitud de factores ambientales que pueden afectar a su funcionamiento, es posible que el motor de gasolina no desarrolle toda su potencia bruta nominal en determinados equipos (potencia "en la aplicación" o neta real). Esta diferencia se debe, entre otros, a los siguientes factores: accesorios (filtro de aire, escape, carga, refrigeración, carburador, bomba de combustible, etc.), limitaciones de la aplicación, condiciones ambientales de uso (temperatura, humedad, altitud) y variaciones entre distintos motores de un mismo modelo. Briggs & Stratton podrá sustituir el motor de esta serie por otro de mayor potencia nominal en caso de limitaciones de fabricación o capacidad.

Briggs & Stratton Power Products Group, LLC
900 N. Parkway
Jefferson, Wisconsin, 53549 U.S.A.



Génératrice portative PRO10000

Manuel d'utilisation



BRIGGS & STRATTON POWER PRODUCTS GROUP, LLC
JEFFERSON, WISCONSIN, U.S.A.

Merci d'avoir acheté cette génératrice de qualité Briggs & Stratton. Nous sommes heureux que vous fassiez confiance à la marque Briggs & Stratton. Si vous respectez les instructions d'utilisation et d'entretien de ce manuel, vous pourrez vous fier à votre génératrice Briggs & Stratton durant de nombreuses années.

Ce manuel contient des renseignements sur la sécurité pour vous informer des dangers et des risques associés aux génératrices et à la façon de les éviter. Cette génératrice a été conçue pour être utilisée seulement pour alimenter les circuits d'éclairage compatibles, les électroménagers, les outils et les moteurs et pour aucune autre utilisation. Il est important de bien lire et comprendre entièrement ces directives avant de tenter de démarrer et d'utiliser cet équipement. **Conservez ces instructions pour référence future.**

Cette génératrice exige un assemblage final avant utilisation. Consultez la section *Assemblage* de ce manuel pour les directives sur les procédures d'assemblage finales. Suivez ces instructions à la lettre.

Où nous trouver

Vous n'aurez jamais à chercher bien loin pour trouver un centre de support et service Briggs & Stratton pour votre génératrice. Consultez les Pages Jaunes. Il y a plus de 30 000 distributeurs de service après-vente agréés Briggs & Stratton dans le monde qui offrent un service de qualité. Vous pouvez aussi téléphoner au Service à la clientèle de Briggs & Stratton au **(800) 743-4115** ou communiquer avec eux par Internet à l'adresse BRIGGSandSTRATTON.COM.

Génératrice

Numéro de modèle

--	--	--	--	--	--	--

Révision

--	--

Numéro de série

--	--	--	--	--	--	--	--	--	--	--	--	--	--	--

Moteur

Numéro de modèle

--	--	--	--	--	--	--

Numéro de type

--	--	--	--	--	--	--	--

Numéro de code

--	--	--	--	--	--	--	--	--	--	--	--	--	--	--	--	--	--

Date d'achat

--	--	--	--	--	--

Briggs & Stratton Power Products Group, LLC
900 North Parkway
Jefferson, WI 53549

Copyright © 2007 Briggs & Stratton Power Products Group, LLC. Tous droits réservés. Aucune partie de ce manuel ne peut être reproduite ou transmise sous n'importe quelle forme et par quelque moyen que ce soit sans l'autorisation expresse écrite de Briggs & Stratton Power Products Group, LLC.

Table des Matières

Sécurité de l'opérateur	4
Description de l'équipement	4
Règles de sécurité	4
Assemblage	7
Déballez la génératrice	7
Contenu de l'expédition	7
Installez la roue la trousse	7
Raccordez le câble de retour de la batterie	8
Ajoutez de l'huile à moteur	9
Ajoutez de l'essence	9
Mise à la terre du système	10
Branchement au système électrique d'un édifice	10
Emplacement de la génératrice	10
Fonctions et commandes	11
Cordons et prises	13
Protection contre les fuites de terre	14
Chargeur de batterie	15
Opération	16
Démarrage du moteur	16
Branchement des charges électriques	17
Arrêt du moteur	17
Fonctionnement du contrôle automatique du ralenti	17
Arrêt du moteur en cas de bas niveau d'huile	17
Recharge d'une batterie	18
Fonctionnement par temps froid	18
Ne pas surchargez générateur	20
Entretien	21
Calendrier d'entretien	21
Entretien de génératrice	21
Entretien de la vanne de combustible	22
Entretien du moteur	22
Entreposage	26
Dépannage	27
Garanties	28
Garantie du dispositif antipollution	28
Garantie du propriétaire d'un générateur	30
Caractéristiques	32
Caractéristiques du produit	32
Pièces d'entretien courant	32

Sécurité

Assemblage

Commandes

Fonctionnement

Entretien

Dépannage

Garantie

Français

fr

Sécurité de l'opérateur

Description de l'équipement



Lisez avec soin ce manuel et familiarisez-vous avec votre générateur. Connaissez ses applications, ses limitations et les dangers qu'il implique.

Ce générateur est un générateur entraîné par un moteur à champ magnétique rotatif produisant du courant alternatif (c.a.). Il a été conçu pour fournir du courant électrique pour faire marcher des charges compatibles d'éclairage, d'appareils ménagers, d'outil et de moteur. Le champ tournant du générateur est entraîné à 3,600 T/M par un moteur deux cylindrique.

AVIS

Dépasser la capacité en watts/ampères de la génératrice peut endommager la génératrice et/ou les appareils électriques qui y sont branchés.

- NE dépassez PAS la capacité en watts/ampères de la génératrice. Voir la rubrique *Ne surchargez pas votre génératrice* dans la section *Opération*.

Tout a été mis en oeuvre pour que les informations contenues dans ce manuel soient exactes et à jour. Cependant, nous se réserve le droit de changer, d'altérer ou d'améliorer le produit à n'importe quel moment sans avis préalable.

Le Système de contrôle de l'émission du générateur est garanti pour des normes établies par L'Agence de protection de l'environnement et le California Air Resources Board.

Règles de sécurité



Ceci est la sûreté le symbole vif. Il est utilisé pour vous alerter aux dangers de blessure personnels potentiels. Obéir tous messages de sûreté qui suivent ce symbole éviter la blessure ou la mort possibles.

Le symbole indiquant un message de sécurité est accompagné d'un mot indicateur (DANGER, ATTENTION, AVERTISSEMENT), d'un message illustré et/ou d'un message de sécurité visant à vous avertir des dangers.

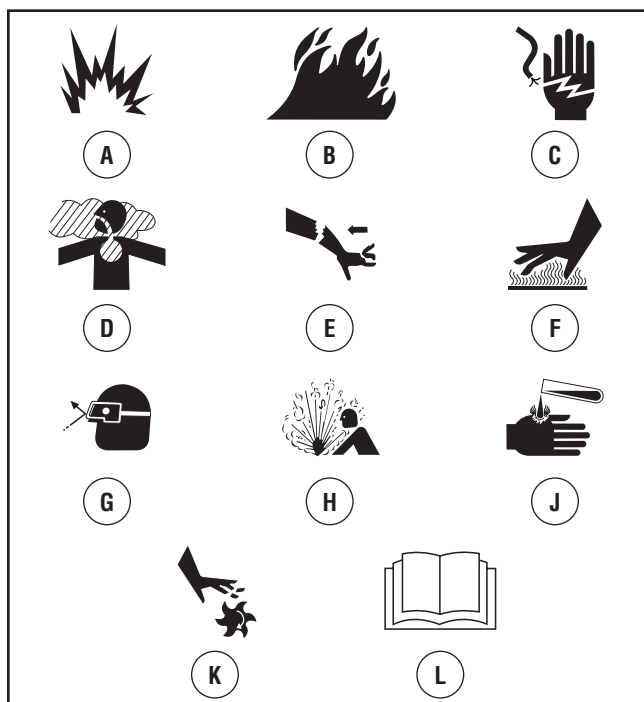
DANGER indique un danger qui, s'il n'est pas évité, *provoquera* des blessures graves, voire fatales.

AVERTISSEMENT indique un danger qui, s'il n'est pas évité, *peut* provoquer des blessures graves, voire fatales.

ATTENTION indique un danger qui, s'il n'est pas évité, *peut* provoquer des blessures mineures ou légères. Le mot **AVIS** indique une situation pouvant endommager l'équipement. Suivez les messages de sécurité pour éviter ou réduire les risques de blessures ou de mort.

Le fabriquant ne peut anticiper toutes les circonstances potentielles pouvant comporter un danger. Par conséquent, les avertissements contenus dans le présent manuel, ainsi que les plaques et les décalques apposés sur l'unité n'englobent pas toutes les possibilités. Si vous utilisez une procédure, une méthode de travail ou une technique d'opération non spécifiquement recommandée par le fabricant, vous devez vous assurer qu'elle ne compromet pas votre sécurité ni celle des autres. Vous devez également vous assurer que la procédure, la méthode de travail ou la technique d'opération que vous choisissez ne rende pas la génératrice dangereuse.

Symboles de danger et moyens



A - Explosion

B - Feu

C - Choc Électrique

D - Emanations Toxiques

E - Effet de Recul

F - Surface Chaude

G - Objets volant

H - Pression Explosive

J - Brûlures Chimiques

K - Parties en mouvement

L - Manuel d'Utilisation

⚠ DANGER

Les batteries d'accumulateur produisent du gaz hydrogène explosif lorsqu'elles se rechargent.

Le gaz hydrogène stagne autour de la batterie longtemps après qu'elle ait été chargée.

La plus petite étincelle enflammera l'hydrogène et provoquera une explosion.

Vous pouvez devenir aveugle ou vous blesser gravement.



Le liquide d'électrolyte de l'accumulateur contient de l'acide et est extrêmement caustique.

Le contact avec le liquide de l'accumulateur provoquera de graves brûlures chimiques.

- Ne laissez aucune flamme, étincelle, source de chaleur ou cigarette allumée pendant ou plusieurs minutes suivant la charge de l'accumulateur.
- Portez des lunettes de protection, un tablier et des gants en caoutchouc.

⚠ AVERTISSEMENT

Le moteur, lorsqu'il fonctionne, produit du monoxyde de carbone, un gaz toxique inodore et incolore.

L'inhalation du monoxyde de carbone peut causer des maux de tête, de la fatigue, des étourdissements, le vomissement, de la confusion, des crises épileptiques, des nausées, l'évanouissement ou la mort.

- Faites fonctionner le générateur SEULEMENT à l'extérieur.
- Installez un avertisseur de monoxyde de carbone à piles près des chambres à coucher.
- Évitez que les gaz d'échappement entrent dans un espace restreint, par une fenêtre, une porte, une prise d'aération ou toute autre ouverture.
- NE faites PAS fonctionner le générateur à l'intérieur d'un bâtiment ou d'un abri (même si les fenêtres et les portes sont ouvertes), y compris à l'intérieur du compartiment d'un véhicule de plaisance.

⚠ AVERTISSEMENT

L'échappement du moteur de ce produit contient des produits chimiques que l'État de Californie considère comme causant le cancer, des déformations à la naissance ou d'autres dangers concernant la reproduction.

⚠ AVERTISSEMENT

- Cette génératrice ne satisfait pas aux normes U. S. Coast Guard Regulation 33CFR-183 et ne doit pas être utilisée pour des applications marines.
- L'omission d'utiliser une génératrice appropriée et approuvée par U. S. Coast Guard pourrait entraîner des blessures corporelles ou des dommages matériels.

⚠ AVERTISSEMENT

Un effet de recul (rétroaction rapide) de la corde du démarreur pourrait entraîner des blessures corporelles. L'effet de recul tirera votre main et votre bras vers le moteur plus rapidement que vous ne pouvez relâcher la corde.

Vous risquez ainsi de subir des fractures, des ecchymoses ou des entorses.

- Lors du démarrage du moteur, tirez lentement sur la corde jusqu'à ce que vous sentiez une résistance et tirez alors rapidement afin d'éviter un effet de recul.
- NE démarrez JAMAIS ni n'arrêtez jamais le moteur alors que des appareils électriques y sont branchés et en fonction.

⚠ AVERTISSEMENT

L'essence et ses vapeurs sont extrêmement inflammables et explosives.



Le feu ou l'explosion risque de provoquer des blessures graves, pouvant être fatales.

LORS DE L'AJOUT OU DE LA VIDANGE DU CARBURANT

- Éteignez le générateur et laissez-le refroidir au moins 2 minutes avant de retirer le capuchon du réservoir de carburant. Desserrez lentement le capuchon pour laisser la pression s'échapper du réservoir.
- Remplissez ou vidangez le réservoir d'essence à l'extérieur.
- NE remplissez PAS trop le réservoir. Laissez l'expansion de l'essence.
- Attendez le carburant renversé pour s'évaporer avant de démarrer le moteur.
- Éloignez l'essence des étincelles, des flammes, des veilleuses, de la chaleur et de toute autre source d'inflammation.
- N'ALLUMEZ PAS de cigarette ou ne fumez pas à proximité de l'appareil.

LORS DU DÉMARRAGE DE L'ÉQUIPEMENT

- Assurez-vous que la bougie d'allumage, le silencieux, le bouchon à essence et le filtre à air sont en place.
- NE démarrez PAS le moteur lorsque la bougie d'allumage est enlevée.

LORSQUE L'ÉQUIPEMENT FONCTIONNE

- NE penchez PAS le moteur ou l'équipement, vous risqueriez de renverser de l'essence.
- N'utilisez PAS l'étrangleur du carburateur pour arrêter le moteur.
- Cette génératrice n'est pas conçue pour être utilisée dans de l'équipement mobile ou les applications marines.

LORSQUE VOUS TRANSPORTEZ OU RÉPAREZ L'ÉQUIPEMENT

- Le réservoir d'essence doit être VIDE ou le robinet d'arrêt de carburant doit être à la position fermée (OFF) pendant le transport ou la réparation.
- Débranchez le câble de bougie.

LORSQUE VOUS ENTREPOSEZ L'ESSENCE OU UN ÉQUIPEMENT AVEC UN RÉSERVOIR À ESSENCE

- Entreposez-le loin des appareils de chauffage, des fours, des chauffe-eau, des sècheuses ou de tout autre appareil électroménager disposant d'une veilleuse ou de toute autre source d'inflammation risquant d'enflammer les vapeurs d'essence.

⚠ AVERTISSEMENT

Le génératrice produit une tension élevée.
NE PAS isoler le génératrice de l'installation électrique risque de provoquer des blessures ou même d'être fatal pour les ouvriers électriciens et de causer des dommages au génératrice dus à un "backfeed" d'énergie électrique.

- Lorsque vous utilisez le génératrice comme source d'énergie de secours, il est nécessaire d'aviser les services publics d'électricité.
- Utilisez un disjoncteur différentiel lorsque vous utilisez l'appareil dans des endroits humides ou extrêmement conductibles, comme les terrasses en métal ou les ouvrages métalliques.
- NE TOUCHEZ PAS les fils dénudés ou les boîtiers.
- N'UTILISEZ PAS le génératrice avec des cordons électriques usés, effilochés ou dénudés, ou abîmés de quelque sorte que ce soit.
- N'utilisez PAS la génératrice sous la pluie ou lors de températures pluvieuses.
- NE MANIPULEZ PAS le génératrice ou les cordons d'alimentation lorsque vous êtes debout dans l'eau, pieds nus ou avec les mains ou les pieds humides.
- NE LAISSEZ PAS des personnes non qualifiées ou des enfants se servir ou réparer le génératrice.

⚠ AVERTISSEMENT

Tout contact avec la zone du silencieux peut causer des brûlures graves.



La chaleur et les gaz d'échappement peuvent enflammer des matériaux combustibles et les structures ainsi que causer des dommages au réservoir d'essence et entraîner un incendie.

- NE touchez PAS aux pièces chaudes et ÉVITEZ le contact avec les gaz d'échappement.
- Laissez l'équipement refroidir avant de le toucher.
- Laissez un dégagement d'au moins 1,5 m (5 pi) tout autour de la génératrice, y compris au-dessus.
- Le Code of Federal Regulation (CFR) Title 36 Parks, Forests, and Public Property exige que de l'équipement alimenté par un moteur à combustion interne soit doté d'un pare-étincelles et constamment maintenu en bon état fonctionnement, conformément à la norme de service 5100-1C de la USDA Forest ou à une révision de celle-ci. Dans l'État de la Californie, un pare-étincelles est requis en vertu de la section 4442 du California Public Resources Code. Il se peut que d'autres États aient des lois semblables aux terres fédérales. Si vous équipez le silencieux d'un pare-étincelles, il doit être en bon état de fonctionnement.

⚠ AVERTISSEMENT

Démarrateur et autre tournantes peut empêtrer mains, cheveux, vêtement, ou accessoires.

- N'utilisez JAMAIS un génératrice sans bâti ou couvercles protecteurs.
- NE portez PAS de vêtements lâches, de bijoux ou tout ce qui risquerait d'être pris dans le démarreur ou toute autre pièce rotative.
- Embouteiller des cheveux longs et enlève la bijouterie.

⚠ AVERTISSEMENT

Unintentional peut résulter dans feu ou électrique.

LORSQUE VOUS RÉGLEZ OU RÉPAREZ VOTRE GÉNÉRATRICE

- Débranchez toujours le câble de bougie et placez-le de façon à ce qu'il ne soit pas en contact avec la bougie.

LORS DE TESTS D'ALLUMAGE DU MOTEUR

- Utilisez un vérificateur de bougies d'allumage approuvé.
- NE vérifiez PAS l'allumage lorsque la bougie d'allumage est enlevée.

⚠ ATTENTION

Les vitesses de fonctionnement excessivement élevées augmentent les risques de blessure ou risquent d'endommager le génératrice.

Les vitesses extrêmement lentes entraînent une charge importante.

- NE trafiquez PAS la vitesse réglée. Le génératrice produit une fréquence nominale et une tension correctes lorsqu'il fonctionne à une vitesse réglée.
- NE modifiez PAS le génératrice d'aucune façon.

AVIS

Dépasser la capacité de puissance ou d'ampérage du génératrice risque d'endommager ce dernier et/ou les autres appareils électriques qui y sont branchés.

- Voir la section *NE PAS Surcharger Génératrice*.
- Démarrez le génératrice et laissez le moteur se stabiliser avant de brancher les charges électriques.
- Branchez les charges électriques en position ARRÊT, puis, remettez en position MARCHÉ.
- Éteignez les charges électriques et débranchez-les du génératrice avant de l'arrêter.

AVIS

Un traitement inapproprié du génératrice risque de l'endommager et de raccourcir sa durée d'utilisation.

- Ne vous servez du génératrice que pour les utilisations prévues.
- Si vous avez des questions à propos de l'utilisation prévue de cet appareil, consultez votre détaillant ou communiquez avec Briggs & Stratton.
- Ne faites fonctionner le génératrice que sur des surfaces horizontales.
- N'exposez PAS le génératrice à une humidité excessive, à de la poussière, à de la saleté ou à des vapeurs corrosives.
- N'insérez aucun objet dans les fentes de refroidissement.
- Si les appareils branchés sont en surchauffe, éteignez-les et débranchez-les du génératrice.
- Arrêtez le génératrice si :
 - la puissance électrique est inexistante;
 - l'équipement produit des étincelles, de la fumée ou des flammes;
 - l'unité vibre excessivement.

Assemblage

Votre génératrice doit être assemblée et vous pourrez l'utiliser après l'avoir correctement remplie d'huile et d'essence recommandées.

Si vous avez n'importe quels problèmes avec l'assemblée de votre générateur, s'il vous plaît appeler le helpline de générateur à **(800) 743-4115**. Si vous téléphonez pour obtenir de l'aide, veuillez avoir disponibles les renseignements du données étiquettent: numéro de modèle, de révision et de série. Consultez la section *Commandes et fonctions* de la génératrice pour connaître l'emplacement de l'étiquette de données.

Déballez la génératrice

1. Placez la boîte de carton sur une surface plane rigide.
2. Enlevez tous les composants de la boîte d'expédition à l'exception de la génératrice.
3. Ouvrez la boîte d'expédition en coupant tous les coins du haut vers le bas.
4. Laissez la génératrice dans la boîte d'expédition afin d'installer les roues.

Contenu de l'expédition

La génératrice est livrée avec les éléments suivants:

- Huile à moteur
- Manuel d'utilisation
- Chargeur à tampon
- Câbles de charge de batterie
- Ensemble de roues
- Prise de verrouillage de 120/240 volts, 30 ampères
- Prise de verrouillage de 120 volts, 30 ampères

Installez la roue la trousse

REMARQUE: Les roues n'ont pas été conçues pour le transport de la génératrice sur la route.

Pour installer ces composants, vous aurez besoin des outils suivants:

- Clé à 3/8" et 13 mm
- Clé à douilles avec douille 3/8" et 13 mm
- Pincettes
- Lunettes de sécurité

Installez les roues comme suit:

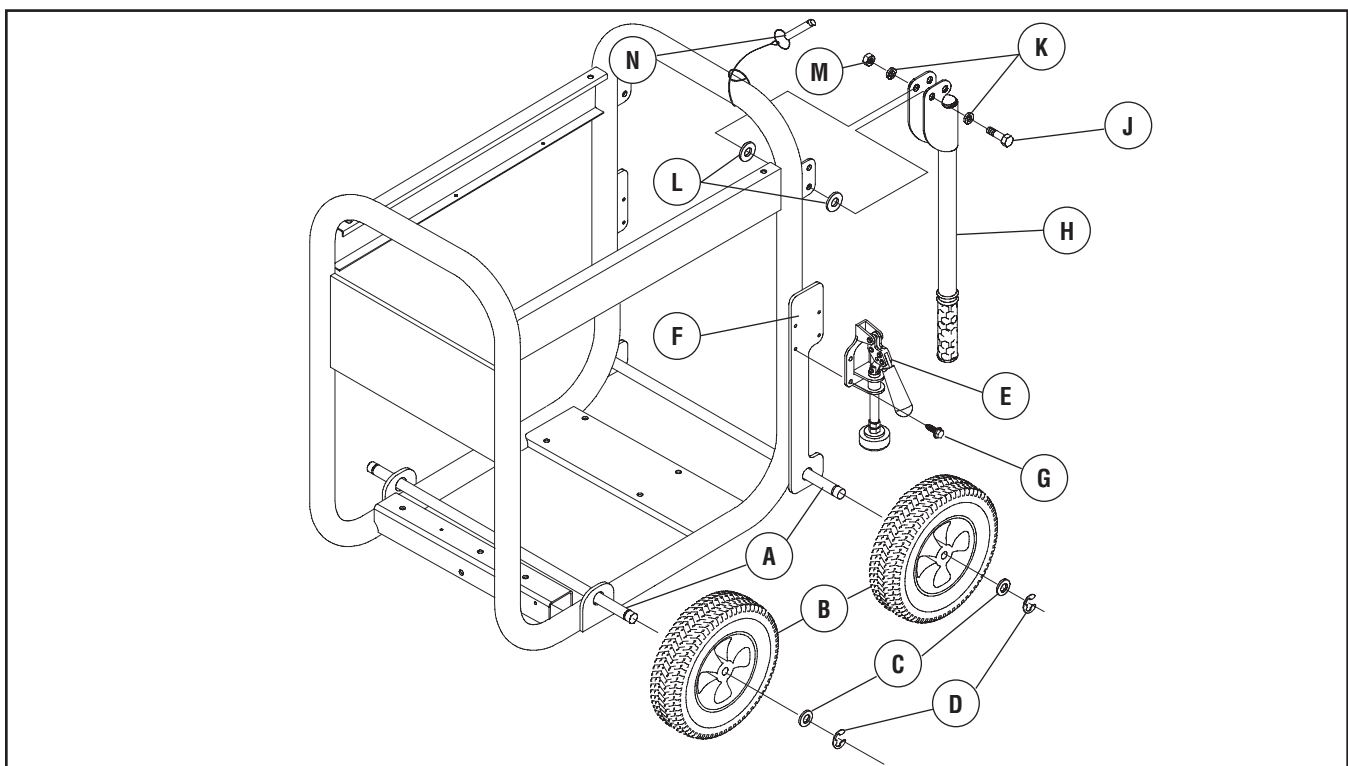
1. Basculez la génératrice de sorte que la partie latérale du moteur soit vers le bas.
2. Faites glisser l'essieu (A) dans les deux supports de fixation.
3. Faites glisser une roue (B) sur l'essieu.

REMARQUE : Assurez-vous de poser les deux roues avec la valve à pneu pointant vers l'extérieur.

4. Insérez une rondelle (C) sur l'essieu et posez l'anneau en E (D) sur la rainure de l'essieu.

 ATTENTION	
	Les anneaux en E peuvent provoquer des blessures aux yeux.
	Les anneaux en E peuvent ressortir et s'envoler lors de l'installation ou du retrait.
• Portez toujours une protection des yeux adéquate lors de l'installation ou du retrait d'anneaux en E.	

5. Installez l'anneau en E avec des pincettes, en serrant à partir de la partie supérieure de l'anneau en E vers la partie inférieure de l'essieu.



6. Répétez les étapes 3 à 5 pour la pose de la deuxième roue.
7. Basculez la génératrice de sorte que l'extrémité du moteur soit vers le haut.
8. Fixez les attaches (E) aux supports (F) des deux côtés de la génératrice à l'aide de boulons hexagonaux de 1/4 - 20 (G).
9. Répétez les étapes 2 à 5 pour fixer la troisième et la quatrième roue.
10. Fixez la poignées (H) à la crochets du cadre de la génératrice, tel que montré, à l'aide des 45 mm vis (J), des rondelles (K), des rondelles de nylon (L) et des écrous (M).

REMARQUE: NE serrez PAS trop fort. La poignée doit pouvoir être déplacée librement vers le haut et vers le bas.

11. Remplacez la génératrice à sa position normale (sur les roues).
12. Pour appliquer les freins, poussez fermement sur la poignée des deux attaches jusqu'à ce qu'elle se fixe en position basse et qu'elle engage les roues.

IMPORTANT : Le générateur est conçu pour être utilisé sur une surface plane.

13. Faites une boucle l'épingles de poignée (N) sur le cadre de générateur juste au-dessus du crochet de poignée.
14. Levez la poignées et insérez la tiges de la poignée pour déplacer la génératrice.
15. Pour relâcher les freins, tirez sur la poignée des deux attaches jusqu'à ce qu'elle se fixe en position élevée.

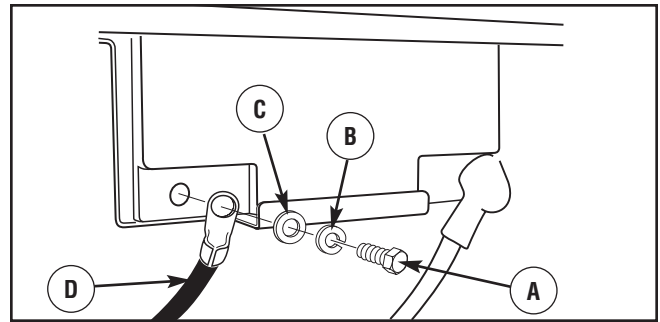
Raccordez le câble de retour de la batterie

Même si votre génératrice est munie d'un démarreur électrique, elle peut aussi être démarrée manuellement. Si vous décidez de ne pas utiliser le démarreur électrique, il n'est pas nécessaire de brancher le câble de retour de la batterie.

La batterie scellée sur le générateur est complètement chargée et pré-installée, à l'exception du câble (noir) de la batterie.

Installation:

1. Coupez la ceinture de câble pour libérer l'extrémité de retour (noire) du câble.
2. À l'aide d'une clé à douille avec douille de 8 mm ou 5/16", dévissez la vis (A), ôtez la rondelle d'arrêt (B) et la rondelle plate (C) de la borne négative de la batterie.



3. Branchez le rondelle frein, la rondelle plate et le câble de retour (noir) de la batterie (D) par-dessus la vis.
4. Rattachez la vis au terminal négative de pile et serrez.
5. Vérifiez que les branchements de la batterie et du générateur sont appropriés et sécuritaires.

REMARQUE : Si la batterie est déchargée, veuillez la charger avant l'utilisation en suivant les instructions de la section *Chargeur de batterie*.

Ajoutez de l'huile à moteur

1. Mettre le générateur sur une surface à niveau.
2. Nettoyez la surface autour de l'orifice de remplissage d'huile et enlevez le bouchon de remplissage d'huile jaune.

REMARQUE: Consultez la section *Huile* au sujet des recommandations relatives à l'huile. Vérifiez si la viscosité de la bouteille d'huile fournie est appropriée à la température ambiante.

3. À l'aide d'un entonnoir pour huile (optionnel), versez lentement le contenu des deux bouteilles d'huile fournies dans l'orifice de remplissage jusqu'au repère maximum ("Full") sur la jauge d'huile.

AVIS

Un traitement inapproprié du générateur risque de l'endommager et de raccourcir sa durée d'utilisation.

- NE tentez JAMAIS de démarrer le moteur sans d'abord vérifier s'il a été entretenu de façon appropriée avec l'huile recommandée. Cela risquerait d'entraîner un bris de moteur.

4. Remplacez le bouchon de remplissage d'huile et serrez-le solidement.

Ajoutez de l'essence

L'essence satisfait les exigences suivantes:

- Essence sans plomb fraîche et propre.
- Un indice d'octane minimum de 87/87 AKI (91 IOR). Utilisation à des altitudes élevées, consultez la section *Altitude élevée*.
- Une essence avec jusqu'à 10 % d'éthanol (gazohol) ou jusqu'à 15 % d'éther méthyltertiobutylique est acceptable.

AVIS

Évitez d'endommager le générateur.

Le manquement à suivre les recommandations relatives à l'huile du manuel d'utilisation annule la garantie.

- NE PAS utiliser d'essence non approuvée telle que E85.
- NE PAS mélanger l'huile avec l'essence.
- NE PAS modifier le moteur afin qu'il fonctionne avec d'autres types d'essence.

Au moment d'ajouter de l'essence, la mélanger avec un stabilisateur d'essence afin de protéger le circuit d'alimentation contre la formation de dépôts de gomme. Voir *Entreposage*. Les essences ne sont pas toutes pareilles. Si vous éprouvez des problèmes de démarrage ou de performance après avoir utilisé une essence, changez de fournisseur d'essence ou de marque d'essence. Le fonctionnement du moteur avec de l'essence est certifié. Ce dispositif antipollution pour ce moteur est de type EM (Modifications de moteur).



AVERTISSEMENT



L'essence et ses vapeurs sont extrêmement inflammables et explosives.

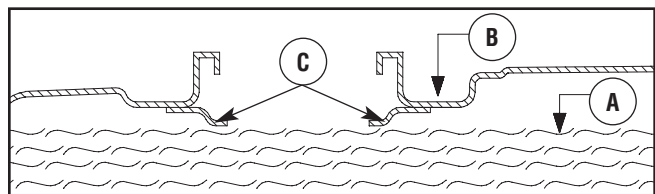


Le feu ou l'explosion risque de provoquer des blessures graves, pouvant être fatales.

LORS DE L'AJOUT DU CARBURANT

- Éteignez le générateur et laissez-le refroidir au moins 2 minutes avant de retirer le capuchon du réservoir de carburant. Desserrez lentement le capuchon pour laisser la pression s'échapper du réservoir.
- Remplissez ou vidangez le réservoir d'essence à l'extérieur.
- NE remplissez PAS trop le réservoir. Laissez l'expansion de l'essence.
- Attendez le carburant renversé pour s'évaporer avant de démarrer le moteur.
- Éloignez l'essence des étincelles, des flammes, des veilleuses, de la chaleur et de toute autre source d'inflammation.
- N'ALLUMEZ PAS de cigarette ou ne fumez pas à proximité de l'appareil.

1. Nettoyez la partie autour du bouchon du réservoir d'essence, enlevez le bouchon.
2. Ajoutez doucement dans le réservoir (B) du carburant (A) ordinaire sans plomb. Faites attention de ne pas dépasser le déflecteur (C). Vous laissez ainsi de la place pour l'expansion de l'essence.



3. Installez le bouchon à essence et attendez le carburant renversé pour s'évaporer.

Altitude élevée

À des altitudes élevées (plus de 1 524 m / 5 000 pi), il est acceptable d'utiliser des essences présentant un indice minimum de 85 octane / 85 AKI (89 IOR). Un réglage pour les altitudes élevées est requis pour respecter les normes relatives aux émissions. Une utilisation sans ce réglage entraîne une diminution de la performance, une augmentation de la consommation d'essence et des émissions. Consultez un détaillant Briggs & Stratton autorisé au sujet de renseignements relatifs au réglage pour les altitudes élevées. L'utilisation à des altitudes inférieures à 762 mètres (2 500 pieds) avec la trousse pour les altitudes élevées n'est pas recommandée.

Mise à la terre du système

La génératrice possède une mise à la terre du système qui raccorde les éléments du cadre de la génératrice aux bornes de mise à la terre des prises de sortie C.A. La mise à la terre du système est raccordée au fil neutre C.A. (le neutre est raccordé au cadre de la génératrice).

Exigences spéciales

Il se peut que la réglementation d'une agence fédérale ou provinciale de santé et de sécurité du travail, des codes de sécurité nationaux ou provinciaux ou des ordonnances régissent l'utilisation prévue de la génératrice. Veuillez consulter un électricien qualifié, un inspecteur en électricité ou l'agence compétente de votre région.

- Dans certains territoires, il faut enregistrer la génératrice auprès du fournisseur de l'alimentation de service.
- Des règlements additionnels régissent peut-être l'utilisation de la génératrice sur les chantiers de construction.

Branchement au système électrique d'un édifice

Seuls les électriciens qualifiés sont habilités à brancher la génératrice au système électrique d'un édifice pour en faire une source d'alimentation de réserve. Il faut que l'alimentation de la génératrice soit isolée de l'alimentation de service ou d'autres sources d'alimentation et que le branchement soit conforme à toute la législation applicable et à tous les codes de l'électricité.

⚠ AVERTISSEMENT



Le générateur produit une tension élevée. NE PAS isoler le générateur de l'installation électrique risque de provoquer des blessures ou même d'être fatal pour les ouvriers électriciens et de causer des dommages au générateur dus à un "backfeed" d'énergie électrique.

- Lorsque vous utilisez le générateur comme source d'énergie de secours, il est nécessaire d'aviser les services publics d'électricité.
- Utilisez un disjoncteur différentiel lorsque vous utilisez l'appareil dans des endroits humides ou extrêmement conductibles, comme les terrasses en métal ou les ouvrages métalliques.
- NE TOUCHEZ PAS les fils dénudés ou les boîtiers.
- N'UTILISEZ PAS le générateur avec des cordons électriques usés, effilochés ou dénudés, ou abîmés de quelque sorte que ce soit.
- N'utilisez PAS la génératrice sous la pluie ou lors de températures pluvieuses.
- NE MANIPULEZ PAS le générateur ou les cordons d'alimentation lorsque vous êtes debout dans l'eau, pieds nus ou avec les mains ou les pieds humides.
- NE LAISSEZ PAS des personnes non qualifiées ou des enfants se servir ou réparer le générateur.

Emplacement de la génératrice

Dégagement de la génératrice

⚠ AVERTISSEMENT



La chaleur et les gaz d'échappement peuvent enflammer des matériaux combustibles et les structures ainsi que causer des dommages au réservoir d'essence et entraîner un incendie.

- Laissez un dégagement d'au moins 1,5 m (5 pi) tout autour de la génératrice, y compris au-dessus.

Placez la génératrice dans un endroit bien ventilé qui permet l'élimination des gaz d'échappement mortels. N'installez PAS la génératrice dans un endroit où les gaz d'échappement (A) pourraient s'accumuler et pénétrer ou être aspirés dans un édifice qui pourrait être occupé. Assurez-vous que les gaz d'échappement ne puissent entrer par une fenêtre, une porte, une prise d'aération ou une autre ouverture qui pourrait leur permettre de s'accumuler dans un espace restreint. Tenez aussi compte des vents dominants et des courants d'air au moment de choisir l'endroit où vous installerez la génératrice.

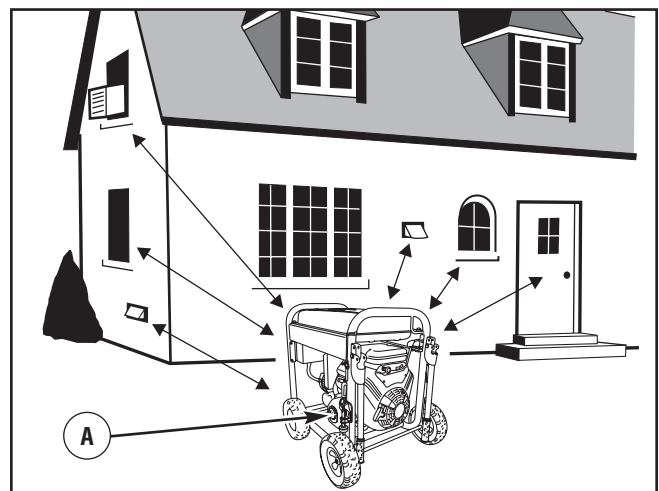
⚠ AVERTISSEMENT



Le moteur, lorsqu'il fonctionne, produit du monoxyde de carbone, un gaz toxique inodore et incolore.

L'inhalation du monoxyde de carbone peut causer des maux de tête, de la fatigue, des étourdissements, le vomissement, de la confusion, des crises épileptiques, des nausées, l'évanouissement ou la mort.

- Faites fonctionner le générateur SEULEMENT à l'extérieur.
- Installez un avertisseur de monoxyde de carbone à piles près des chambres à coucher.
- Évitez que les gaz d'échappement entrent dans un espace restreint, par une fenêtre, une porte, une prise d'aération ou toute autre ouverture.
- NE faites PAS fonctionner le générateur à l'intérieur d'un bâtiment ou d'un abri (même si les fenêtres et les portes sont ouvertes), y compris à l'intérieur du compartiment d'un véhicule de plaisance.

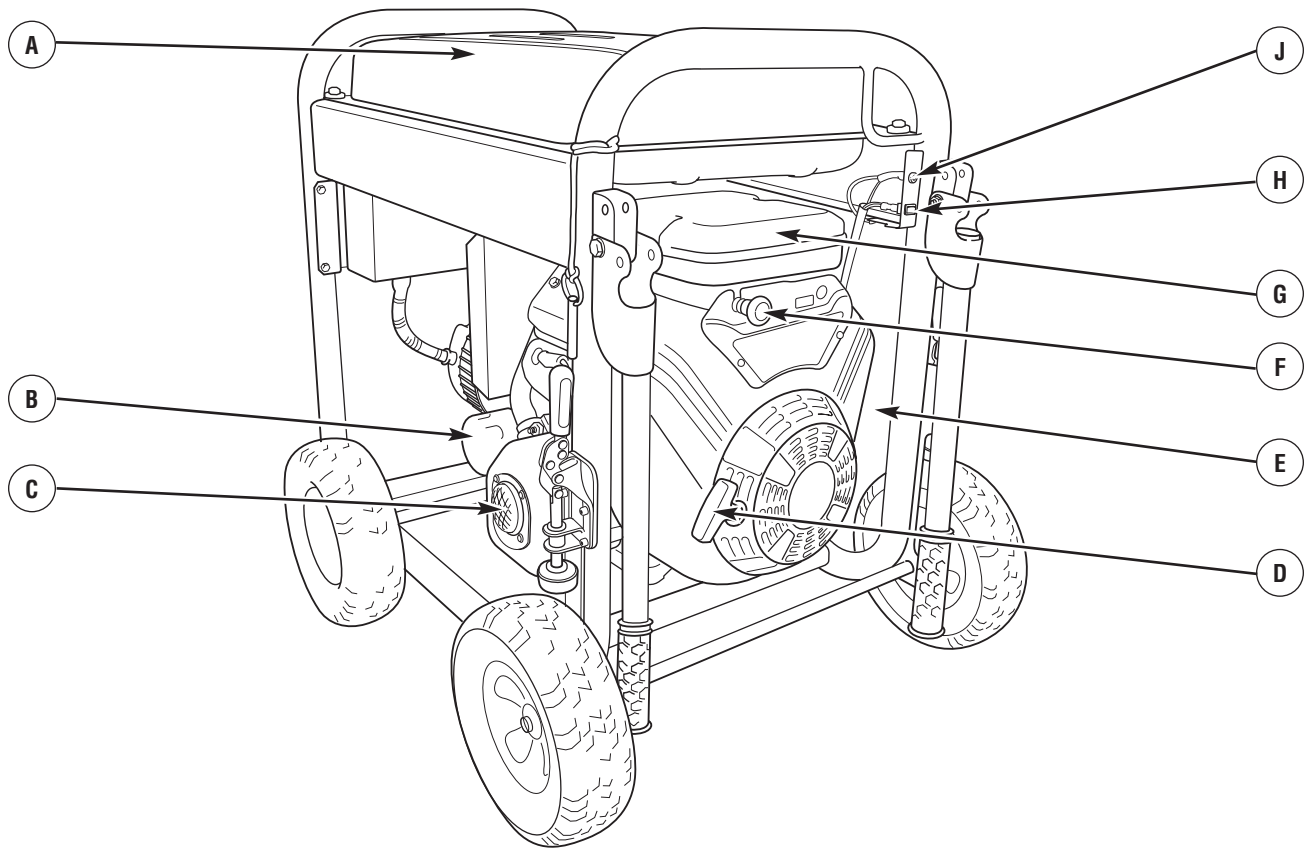


Fonctions et commandes



Lire ce manuel de l'utilisateur et les règles de sécurité avant de faire marcher votre génératrice.

Comparez les illustrations avec votre génératrice pour vous familiariser avec l'emplacement des diverses commandes et réglages. Gardez ce manuel pour le consulter plus tard.



Commandes

A - Réservoir de carburant — Capacité de 7 gallons Etats-Unis (26.5 l).

B - Filtre à l'huile — Filtre l'huile du moteur afin d'en prolonger la durée de vie utile.

C - Pot d'échappement avec arrêteur d'étincelles — Le pot d'échappement diminue le bruit du moteur est équipé d'un écran arrêteur d'étincelles.

D - Démarrage à recul — Utilisé pour démarrer le moteur manuellement.

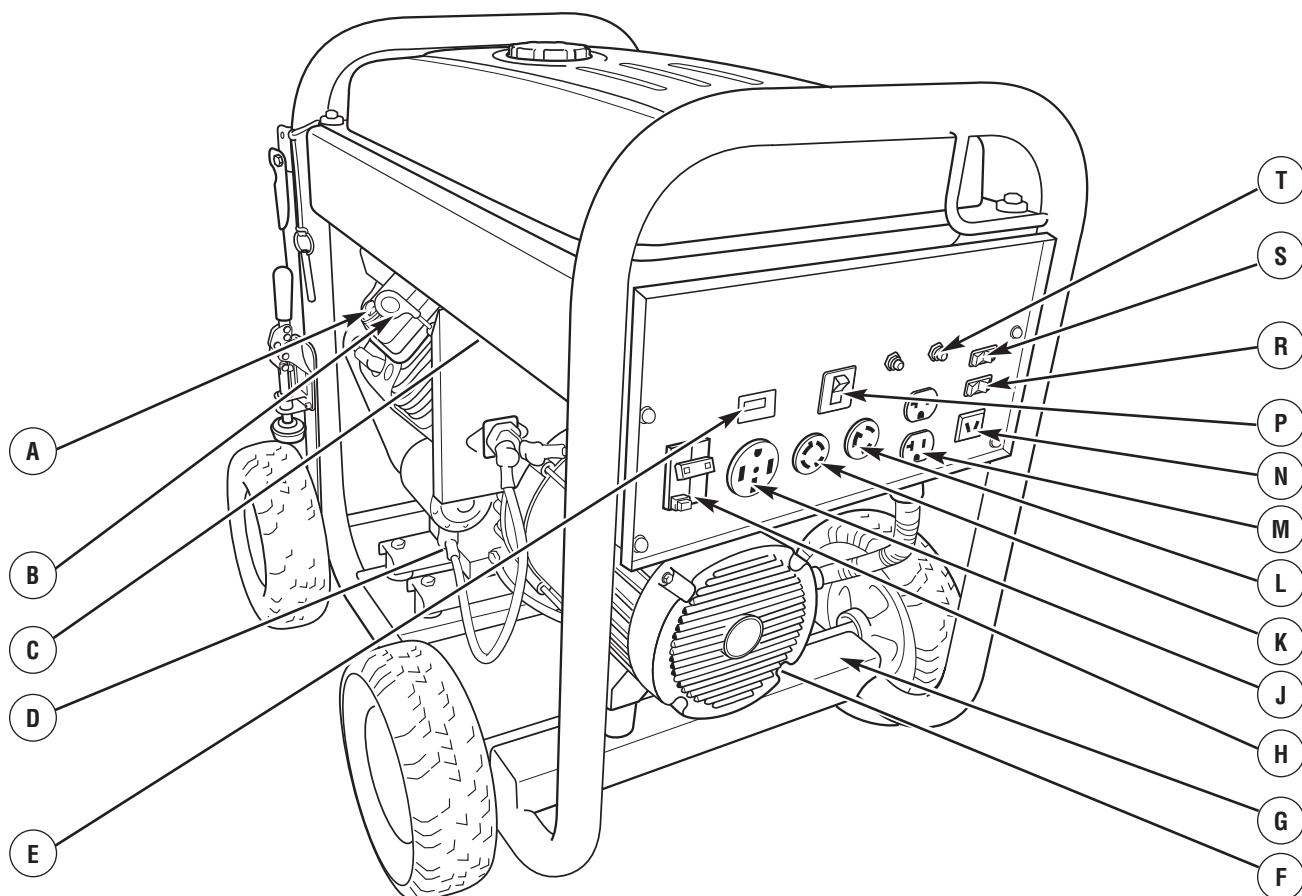
E - Identification du moteur — Fournit le numéro du modèle, le type et le code du moteur. S'il vous plaît avoir ces facilement disponible si appeler l'assistance.

F - Levier d'étrangleur — Utilisé lorsque vous faites un démarrage à froid du moteur.

G - Filtre à air — Utilisez un élément de filtre du type sec et un pré-filtre en mousse pour limiter le montant de saleté et de poussières entrant dans le moteur.

H - Interrupteur de démarrage — Pousser pour démarrer le moteur.

J - Chargeur à tampon de batterie — Utilisez la prise du chargeur à tampon de la batterie pour conserver la charge de la batterie de démarrage et pour qu'elle soit prête à être utilisée.



- A - Bouchon de remplissage d'huile** — Remplir l'huile à moteur ici.
- B - Jauge d'huile** — Vérifier le niveau d'huile ici.
- C - Robinet de carburant** — Utilisé pour alimenter le moteur en essence ou pour couper l'alimentation en essence du moteur.
- D - Bouchon de vidange d'huile** — Vidangez l'huile du moteur ici.
- E - Mètre d'heure** — Les expositions et enregistre comment beaucoup d'heures que votre générateur a couru (jusqu'à 9,999.9).
- F - Fixation de mise à la masse** — Consultez l'agence compétente de votre région au sujet des exigences de mise à la masse.
- G - Données étiquettent** - Fournit le modèle, la révision et le numéro de série de générateur. S'il vous plaît avoir ces facilement disponible si appeler l'assistance.
- H - Disjoncteur GFCI** — Un disjoncteur GFCI est fourni pour protéger contre le défaut électrique de sol et pour protéger le générateur contre les surcharges électriques.
- J - Prise de 120/240 Volts c.a., 50 Ampères** – Peut être utilisée pour fournir du courant électrique pour faire marcher des systèmes d'éclairage, des appareils, des outils ou des moteurs nécessitant 240 Volts c.a., 50 Ampères, monophasés, 60 Hertz.
- K - Prise de 120/240 Volts c.a., 30 Ampères** – Peut être utilisée pour fournir du courant électrique pour faire marcher des systèmes d'éclairage, des appareils, des outils ou des

moteurs nécessitant 120 Volts et/ou 240 Volts c.a., 30 Ampères, monophasés, 60 Hertz.

- L - Prises de 120 Volts c.a., 30 Ampères** – Peut être utilisée pour fournir du courant électrique pour faire marcher des systèmes d'éclairage, des appareils, des outils ou des moteurs nécessitant 120 Volts c.a., 30 Ampères, monophasés, 60 Hertz.
- M - Prises de courant double de 120 Volts c.a., 20 Ampères** – peuvent être utilisées pour fournir l'alimentation électrique de l'éclairage, des électroménagers, des outils ou des moteurs de 120 Volts, 20 Ampères, monophasés, 60 Hz.
- N - Prise de 12 Volts 10 Ampères c.c.** – Cette prise vous permet de recharger une batterie automobile de 12 Volts. Cette prise est protégée par un disjoncteur à réenclenchement automatique de 10 ampères.
- P - Disjoncteur bipolaire** — La prise verrouillable de 120/240 volts c.a., 30 A et la prise verrouillable de 120 volts c.a., 30 A sont munies d'un disjoncteur bipolaire pour protéger la génératrice contre les surcharges.
- R - Interrupteur de la commande de ralenti** — Utilisez cet interrupteur pour mettre en marche ou en arrêt la commande de ralenti.
- S - Interrupteur "Run/Stop" (Marche/Arrêt)** — Réglez cet interrupteur sur "Run" avant de démarrer le moteur. Réglez l'interrupteur sur "Stop" pour arrêter le moteur.
- T - Disjoncteur (C.A.)** – La prise double de 120 volts c.a., 20 A est munie d'un disjoncteur de type « pousser pour réarmer » pour protéger la génératrice contre les surtensions.

Cordons et prises

N'utilisez que des rallonges de haute qualité mises à la terre et bien isolées dans la prise double de 120 Volts de la génératrice. Inspectez les rallonges avant chaque utilisation.

Vérifiez le calibre de chacune des rallonges avant de les utiliser. Les rallonges utilisées doivent pouvoir supporter des charges de 125 Volts CA à 20 ampères (ou plus) pour la plupart des appareils électriques. Cependant, certains appareils n'exigent pas ce type de rallonge. Consultez les manuels d'utilisation de ces appareils pour obtenir les recommandations du fabricant.

Utilisez des rallonges les plus courtes que possible pour minimiser les chutes de tension.



AVERTISSEMENT

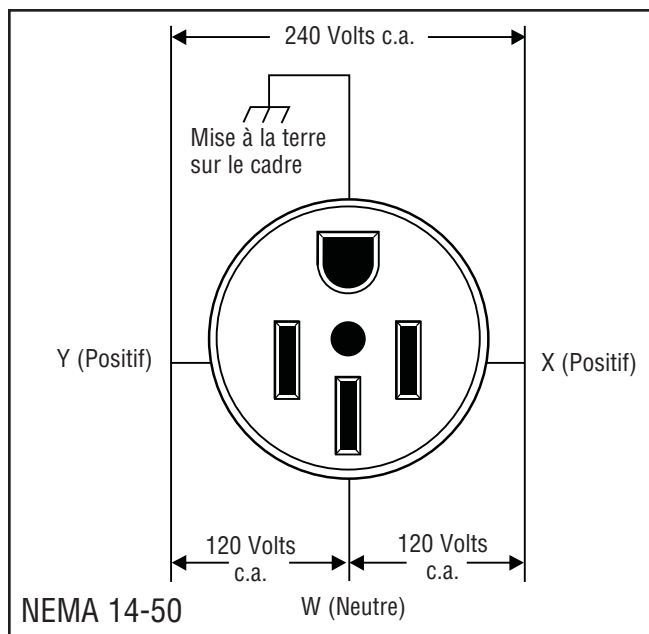


Les cordons électriques surchargés peuvent entraîner une surchauffe, un arc électrique et des brûlures risquant de provoquer la mort, des blessures corporelles et/ou des dommages matériels.

- Utiliser seulement les cordons ayant des valeurs nominales appropriées à vos charges.
- Veuillez suivre toutes les consignes de sécurité relatives aux cordons électriques.

Prise de 120/240 Volts c.a., 50 Ampères

Utilisez une prise mâle NEMA 14-50 avec cette prise femelle. Reliez une rallonge à quatre câbles de 250 Volts c.a. à 50 Ampères à la prise ou davantage à cette prise.



Cette prise donne du courant à des charges de 120/240 Volts c.a., 60 Hertz, monophasées, nécessitant jusqu'à 10,000 watts de puissance (10,0 kW) à 41,6 Ampères pour 240 Volts ou deux indépendants 120 Volt chargements. La prise est protégée contre les surtensions par un disjoncteur bipolaire de type GFCI.

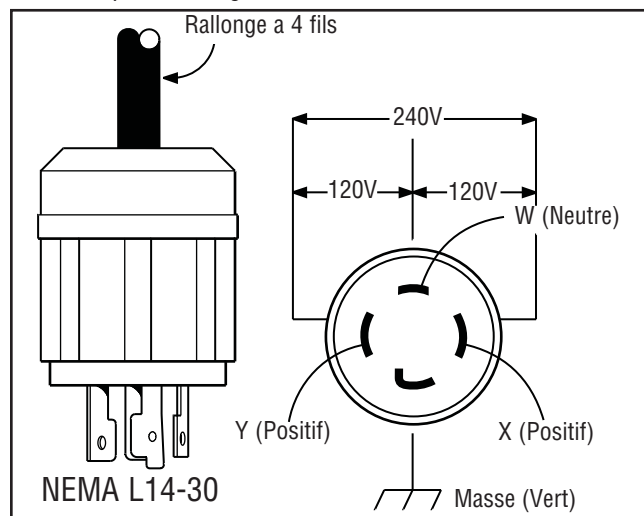
AVIS

Il se peut que la capacité nominale des prises soit supérieure à la puissance nominale de la génératrice.

- NE tentez JAMAIS d'alimenter un appareil dont l'intensité nominale est supérieure à la capacité de la génératrice ou des prises.
- NE surchargez PAS la génératrice. Voir la section *Ne Surchargez Pas Génératrice*.

Prise à verrouillage de 120/240 Volts c.a., 30 Ampères

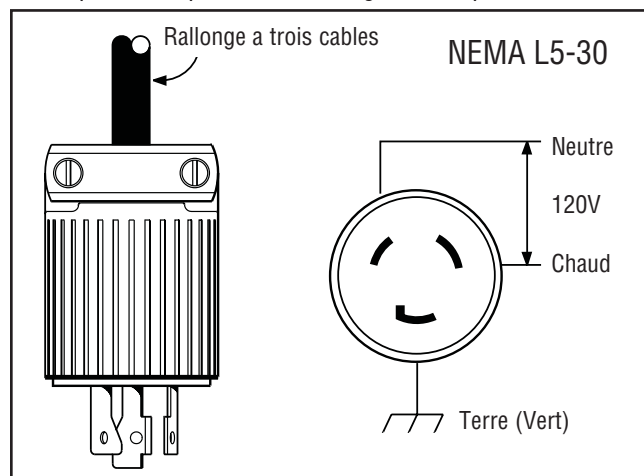
Utilisez une prise mâle du NEMA L14-30 avec cette prise femelle. Reliez une rallonge à quatre câbles de 250 Volts c.a. à 30 Ampères ou davantage. Vous pouvez utiliser la même rallonge à quatre câbles si vous avez l'intention de ne faire marcher qu'une charge de 120 Volts.



Cette prise donne du courant à des charges de 120/240 Volts c.a., 60 Hertz, monophasées, nécessitant jusqu'à 3,600 watts de puissance (3,6 kW) à 30 Ampères pour 120 Volts; 7,200 watts de puissance (7,2 kW) à 30 Ampères pour 240 Volts. La prise est protégée par un disjoncteur bipolaire avec interrupteur à bascule et/ou disjoncteur bipolaire de type GFCI.

Prise à verrouillage de 120 Volts c.a., 30 Ampères

Utilisez une prise mâle NEMA L5-30 avec cette prise femelle. Reliez une rallonge à trois câbles de 125 Volts c.a. à 30 Ampères à la prise ou davantage à cette prise.



Commandes

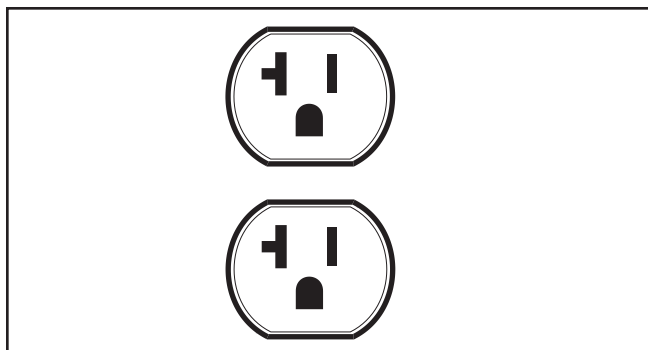
Français

fr

Utilisez cette prise pour faire marcher des charges de 120 Volts c.a., 60 Hertz, monophasées, nécessitant jusqu'à 3,600 watts (3,6 kW) de puissance à 30 Ampères. La prise est protégée par un disjoncteur bipolaire avec interrupteur à bascule et/ou disjoncteur bipolaire de type GFCI.

120 Volts c.a., 20 Ampères prise de courant double

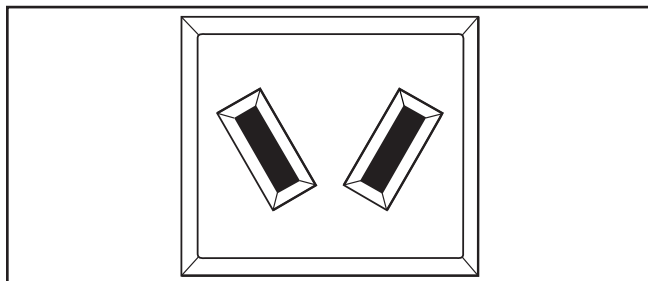
Chaque prise de courant est protégée contre les surtensions par un disjoncteur de type "pousser pour réarmer" et/ou un disjoncteur bipolaire de type GFCI.



Utilisez chaque prise de courant pour faire fonctionner les charges électriques de 120 volts c.a., monophasées, 60 Hz nécessitant jusqu'à 2,400 watts (2,4 KW) à 20 ampères.

Prise de 10 Ampères, 12 Volts c.c.

Cette prise vous permet de recharger une batterie de remisage de 12 Volts du type pour automobile ou tous usages avec les câbles de recharge de batterie fournis.





Elle ne peut toutefois pas recharger des batteries de 6 volts ni être utilisée pour démarrer un moteur dont la batterie est déchargée. Voir *Recharge d'une Batterie* avant d'essayer de recharger une batterie.

Protection contre les fuites de terre

Cette génératrice est munie d'un disjoncteur de fuite de terre (GFCI). Ce dispositif répond aux codes fédéraux, provinciaux et locaux.

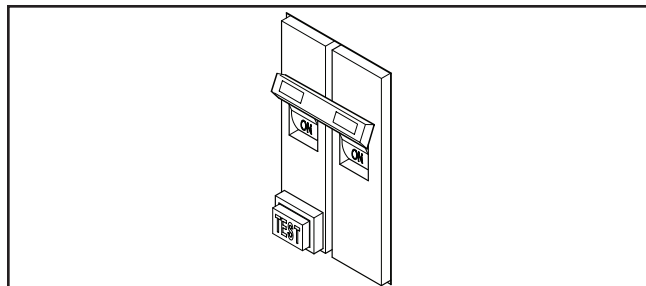
Le disjoncteur GFCI protège contre les chocs électriques qui pourraient se produire si votre corps devient un conducteur d'électricité à la terre. Cela pourrait se produire si vous touchez un appareil ou un fil chargé ou êtes en contact avec la plomberie ou tout autre élément mis à la terre.

Si une personne subit un choc électrique de ce type alors qu'elle est protégée par un disjoncteur GFCI, il se peut qu'elle sente un choc mais le GFCI devrait couper le courant assez rapidement pour qu'elle ne subisse aucune blessure électrique grave, s'il s'agit d'une personne en santé.

 AVERTISSEMENT	
	Le génératrice produit une tension élevée.
<ul style="list-style-type: none"> Le GFCI ne vous protège pas contre les situations suivantes: <ul style="list-style-type: none"> -Les chocs de phase à phase; -Les surcharges de courant ou les courts-circuits de phase à phase. C'est le fusible ou le disjoncteur du panneau de commande qui doit assurer une protection contre ces situations. 	

Mise à l'essai du disjoncteur GFCI

Chaque mois, mettez à l'essai votre disjoncteur GFCI de la manière suivante:



- Alors que la génératrice est en marche, appuyez sur le bouton blanc "Test". Le disjoncteur devrait se déclencher (la poignée se déplace environ à la position centrale), coupant du même coup le courant vers les prises.

 ATTENTION	
Si le disjoncteur ne se déclenche pas:	
<ul style="list-style-type: none"> N'UTILISEZ PAS la génératrice. Téléphonez à un centre de service Briggs & Stratton Power Products. 	

- Si la poignée se déplace vers la position centrale, réenclenchez le disjoncteur en poussant fermement la poignée à la position "Off" (bas) et ensuite à la position "On" (haut).

 ATTENTION	
Si le disjoncteur ne se réarme pas adéquatement:	
<ul style="list-style-type: none"> N'UTILISEZ PAS la génératrice. Téléphonez à un centre de service Briggs & Stratton Power Products. 	

Pendant le fonctionnement de la génératrice

Le déclenchement du disjoncteur alors que la génératrice est en marche indique habituellement la présence d'un défaut de l'équipement ou des rallonges électriques. Faites toutefois l'essai du disjoncteur de la manière suivante:

1. Débranchez les charges, réarmez le disjoncteur et mettez-le à l'essai en suivant la procédure décrite ci-dessus. Laissez la génératrice fonctionner sans charge durant 1 minute.



ATTENTION

Si le disjoncteur se déclenche durant la période de 1 minute:

- N'UTILISEZ PAS la génératrice.
- Téléphonnez à un centre de service Briggs & Stratton Power Products.

2. Si le disjoncteur réussit l'essai, il se peut que l'équipement électrique ou les rallonges soient défectueux. Remplacez l'équipement électrique ou les rallonges défectueux avant d'utiliser à nouveau la génératrice.



ATTENTION

Si l'essai du disjoncteur réussit:

- Demandez à un électricien qualifié de vérifier la présence de défaut dans tout l'équipement et les rallonges électriques.
- Remplacez l'équipement et les rallonges électriques défectueux ou faites-les réparer à un centre de réparation.



AVERTISSEMENT



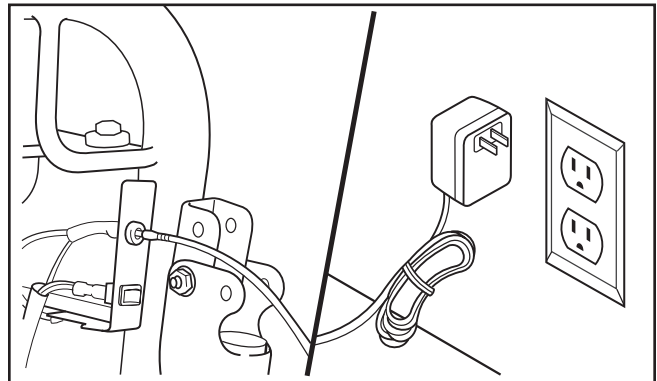
Le générateur produit une tension élevée.

- NE touchez PAS aux fils dénudés ou aux prises.
- N'utilisez PAS la génératrice avec des rallonges électriques usées, effilochées, dénudées ou autrement endommagées.
- N'utilisez PAS la génératrice sous la pluie.
- NE manipulez PAS la génératrice ou les rallonges électriques les pieds dans l'eau ou les pieds nus ou lorsque les mains ou les pieds sont mouillés.
- NE laissez PAS les personnes non qualifiées ou les enfants opérer ou entretenir la génératrice ou les charges électriques.

Chargeur de batterie

Utilisez une prise de chargeur de flotteur pour que la batterie de démarrage reste chargée et prête à l'utilisation. Le chargement de la batterie doit être effectué dans un endroit sec, à l'intérieur d'un garage par exemple.

1. Branchez le chargeur à la prise "Chargeur de flotteur de la batterie", située sur l'interrupteur de démarrage. Branchez le chargeur de la batterie dans une prise de courant murale de 120 volts c.a..



2. Débranchez le chargeur de l'appareil et de la prise de courant lorsque vous démarrez le générateur et lorsqu'il est en marche.
3. Laissez le chargeur branché lorsque le générateur n'est pas utilisé; vous prolongerez ainsi la durée de vie de la batterie. Le chargeur est équipé d'un stabilisateur et ne surchargera pas la batterie, même lorsque vous le laissez branché pendant une longue période.

IMPORTANT: Voir la section *Entretien de la batterie* pour de plus amples renseignements.

Opération

Démarrage du moteur

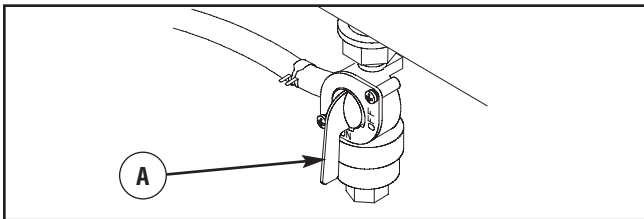
IMPORTANT: Débranchez toujours le chargeur de flotteur de la batterie avant de démarrer le générateur.

Déconnectez toutes les charges électriques du générateur. Suivez ces étapes d'instructions de démarrage dans l'ordre numérique:

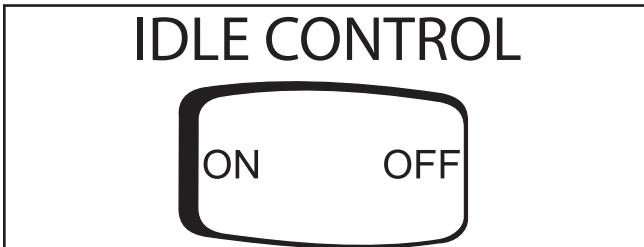
1. Assurez-vous que la génératrice se trouve sur une surface de niveau.

IMPORTANT: Si la génératrice n'est pas sur une surface de niveau, elle pourrait ne pas démarrer ou encore s'arrêter spontanément.

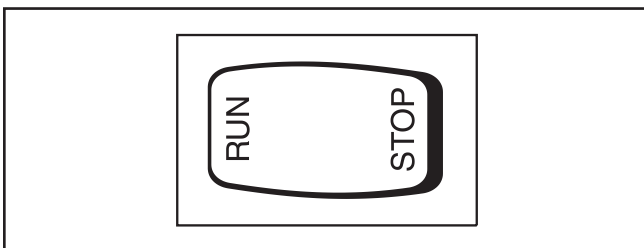
2. Tournez la valve d'essence (A) sur la position "On" (Marche).



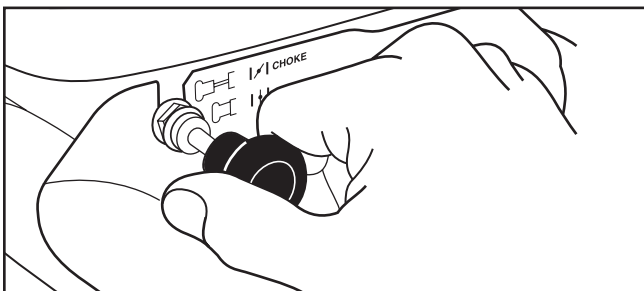
3. Veillez à ce que le commutateur de régulateur de vitesse soit en position "Off" (Arrêt).



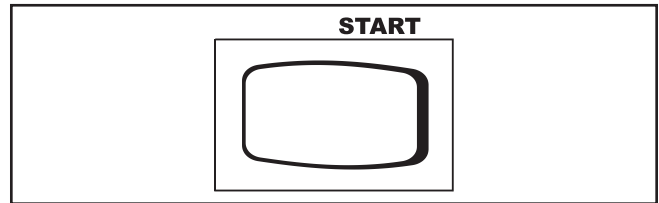
4. Placez l'interrupteur de marche/arrêt à la position marche ("Run").



5. Tirez le levier d'étrangleur de manière à fermer l'étrangleur.



- 6A. **Pour un démarrage électrique**, appuyez et maintenez l'interrupteur de démarrage à la position "Start" jusqu'à ce que la génératrice démarre. Afin de prolonger la durée de vie utile des pièces du démarreur, NE maintenez PAS l'interrupteur de démarrage à la position "Start" plus de 15 secondes et attendez au moins 1 minute entre chaque essai.



- Si le moteur démarre, passez à l'étape 8.
- Si le moteur ne démarre pas, passez à l'étape 7.

REMARQUE: Si la batterie est déchargée, suivez les instructions de démarrage manuel.

- 6B. **Pour un démarrage manuel**, prenez la poignée de lanceur et tirez-la jusqu'à ce que vous sentiez une légère résistance. Tirez alors rapidement, une fois seulement, pour démarrer le moteur.



AVERTISSEMENT



Un effet de recul (rétroaction rapide) de la corde du démarreur pourrait entraîner des blessures corporelles. L'effet de recul tirera votre main et votre bras vers le moteur plus rapidement que vous ne pouvez relâcher la corde.

Vous risquez ainsi de subir des fractures, des ecchymoses ou des entorses.

- Lors du démarrage du moteur, tirez lentement sur la corde jusqu'à ce que vous sentiez une résistance et tirez alors rapidement afin d'éviter un effet de recul.
- NE démarrez JAMAIS ni n'arrêtez jamais le moteur alors que des appareils électriques y sont branchés et en fonction.

- Si le moteur démarre, passez à l'étape 8.
- Si le moteur ne démarre pas, passez à l'étape 7.

7. Enfoncez à moitié la poignée de l'étrangleur et tirez sur la poignée du lanceur deux fois ou poussez et maintenez le commutateur de démarrage à la position "Start" tel que décrit à l'étape 6A.

- Si le moteur ne démarre pas, effectuez de nouveau les étapes de 5 à 6.

8. Ouvrez graduellement l'étrangleur à mesure que le moteur se réchauffe en appuyant sur la poignée de l'étrangleur.

IMPORTANT: Si le moteur se noie, poussez sur la poignée d'étrangleur jusqu'à ce qu'elle soit complètement rentrée et faites tourner le moteur jusqu'à ce qu'il démarre.

REMARQUE: Si le moteur démarre après 3 essais, mais qu'il ne fonctionne pas, ou qu'il s'arrête, assurez-vous que la génératrice se trouve sur une surface de niveau et vérifiez si le carter du moteur contient suffisamment d'huile. Il se peut que cette génératrice soit munie d'un système de protection en cas de bas niveau d'huile. Si c'est le cas, le niveau d'huile doit toujours être au niveau approprié pour permettre le démarrage du moteur.

⚠ AVERTISSEMENT	
	<p>Tout contact avec la zone du silencieux peut causer des brûlures graves.</p> <p>La chaleur et les gaz d'échappement peuvent enflammer des matériaux combustibles et les structures ainsi que causer des dommages au réservoir d'essence et entraîner un incendie.</p>
<ul style="list-style-type: none"> • NE touchez PAS aux pièces chaudes et ÉVITEZ le contact avec les gaz d'échappement. • Laissez l'équipement refroidir avant de le toucher. • Laissez un dégagement d'au moins 1,5 m (5 pi) tout autour de la génératrice, y compris au-dessus. • Le Code of Federal Regulation (CFR) Title 36 Parks, Forests, and Public Property exige que de l'équipement alimenté par un moteur à combustion interne soit doté d'un pare-étincelles et constamment maintenu en bon état fonctionnement, conformément à la norme de service 5100-1C de la USDA Forest ou à une révision de celle-ci. Dans l'État de la Californie, un pare-étincelles est requis en vertu de la section 4442 du California Public Resources Code. Il se peut que d'autres États aient des lois semblables aux terres fédérales. Si vous équipez le silencieux d'un pare-étincelles, il doit être en bon état de fonctionnement. 	

Branchement des charges électriques

- Laissez le moteur se stabiliser et chauffer pendant quelques minutes avant de démarrer.
- Brancher et mettre en marche les charges électriques de 120 et/ou 240 Volts CA, monophasées de 60 Hertz désirées.

REMARQUE:

- NE PAS brancher des charges de 240 Volts à des prises de 120 Volts.
- NE PAS brancher des charges triphasées au générateur.
- NE PAS brancher des charges de 50 Hertz au générateur.
- NE PAS SURCHARGER GÉNÉRATRICE. Voir la section *NE PAS Surcharger Générateur*.

AVIS	
Dépasser la capacité de puissance ou d'ampérage du générateur risque d'endommager ce dernier et/ou les autres appareils électriques qui y sont branchés.	
<ul style="list-style-type: none"> • Voir la section <i>NE PAS Surcharger Générateur</i>. • Démarrez le générateur et laissez le moteur se stabiliser avant de brancher les charges électriques. • Branchez les charges électriques en position ARRÊT, puis, remettez en position MARCHÉ. • Éteignez les charges électriques et débranchez-les du générateur avant de l'arrêter. 	

Arrêt du moteur

1. Débrancher **toutes** les charges électriques des prises du générateur. NE JAMAIS mettre en route ou arrêter le moteur alors que les appareils électriques sont branchés et en MARCHÉ.
2. Réglez la commande de ralenti en position "Off" (Arrêt).
2. Laissez le moteur tourner à vide pendant deux minutes pour stabiliser les températures internes du moteur et du générateur.
3. Déplacez l'interrupteur Run/Stop à la position "Stop".

⚠ AVERTISSEMENT	
	Des explosions dans le silencieux, un incendie ou des dommages au moteur peuvent survenir.
<ul style="list-style-type: none"> • N'arrêtez PAS le moteur en plaçant le levier d'étranglement à la position "Choke". 	

4. Réglez la vanne de combustible à la position "Off" (Arrêt).

Fonctionnement du contrôle automatique du ralenti

Cet interrupteur a pour but d'améliorer grandement l'économie en carburant. **Lorsque cet interrupteur est en MARCHÉ (ON)**, le moteur ne marchera à sa vitesse élevée normale réglée d'avance que lorsqu'une charge électrique est branchée. Lorsque la charge électrique est enlevée, le moteur tournera à une vitesse réduite.

Avec cet interrupteur sur "Off" [Arrêt], le moteur tournera tout le temps à la vitesse normale élevée. **Il faut toujours mettre l'interrupteur sur "Off" [Arrêt] lorsque vous démarrez ou arrêtez le moteur.**

Arrêt du moteur en cas de bas niveau d'huile

Si le niveau d'huile est entre les repères ajouter (« ADD ») et maximum (« FULL ») sur la jauge d'huile:

1. N'essayez PAS de redémarrer le moteur.
2. Contactez un distributeur de service de Briggs & Stratton agréé.
3. N'utilisez PAS le moteur tant que la pression d'huile n'aura pas été rectifiée.




Si le niveau d'huile est sous le repère ajouter (« ADD ») sur la jauge d'huile :

1. Ajoutez de l'huile pour ramener le niveau jusqu'au repère maximum (« FULL »).
2. Redémarrez le moteur et s'il s'arrête à nouveau, la pression d'huile est peut-être encore trop faible. N'essayez PAS de redémarrer le moteur.
3. Contactez un distributeur de service de Briggs & Stratton agréé.
4. N'utilisez PAS le moteur tant que la pression d'huile n'aura pas été rectifiée.

Recharge d'une batterie

Votre générateur a la capacité de recharger une batterie automobile 12 Volts déchargée ou une batterie de remisage.

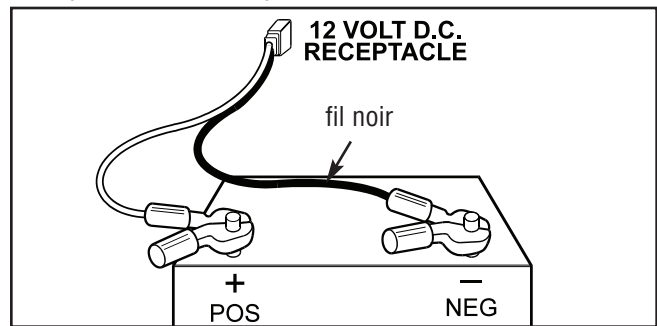
- NE PAS utiliser l'appareil pour recharger des batteries de 6 Volts.
- NE PAS utiliser l'appareil pour mettre en route un moteur dont la batterie est déchargée.

 DANGER	
	Les batteries d'accumulateur produisent du gaz hydrogène explosif lorsqu'elles se rechargent. Le gaz hydrogène stagne autour de la batterie longtemps après qu'elle ait été chargée. La plus petite étincelle enflammera l'hydrogène et provoquera une explosion.
	Vous pouvez devenir aveugle ou vous blesser gravement. Le liquide d'électrolyte de l'accumulateur contient de l'acide et est extrêmement caustique. Le contact avec le liquide de l'accumulateur provoquera de graves brûlures chimiques.
<ul style="list-style-type: none">• Ne laissez aucune flamme, étincelle, source de chaleur ou cigarette allumée pendant ou plusieurs minutes suivant la charge de l'accumulateur.• Portez des lunettes de protection, un tablier et des gants en caoutchouc.	

Pour recharger une batterie de 12 Volts, procédez comme suit:

1. Vérifiez le niveau du fluide dans toutes les cellules de la batterie. S'il le faut, ajouter de l'eau distillée et SEULEMENT de l'eau distillée pour couvrir les séparateurs dans les cellules de la batterie. **NE PAS utiliser d'eau du robinet.**
2. Si la batterie est équipée de bouchons d'évent, s'assurer qu'ils sont bien en place et serrés.
3. Si nécessaire, nettoyer les bornes de la batterie.
4. Brancher la prise de connection du câble de recharge de la batterie à la prise du tableau du générateur portant les mots "12V 10A D.C."

5. Brancher la pince du câble de recharge de la batterie ayant la poignée **rouge** à la borne **(+) positive (POSITIVE ou POS)** de la batterie.



6. Brancher la pince du câble de recharge de la batterie ayant la poignée **noire** à la borne **négative (-) (NEGATIVE ou NEG)** de la batterie.
7. Mettre en route le moteur. Laisser le moteur tourner pendant la recharge de la batterie.
8. Lorsque la batterie a été rechargée, arrêtez le moteur.

REMARQUE: Utilisez un hydromètre pour automobile pour tester la charge et les conditions de la batteries. Suivre avec soin les instructions du fabricant de l'hydromètre. Généralement on considère qu'une batterie est chargée à 100% lorsque la gravité spécifique de son fluide (mesurée par l'hydromètre) est de 1,260 ou davantage.

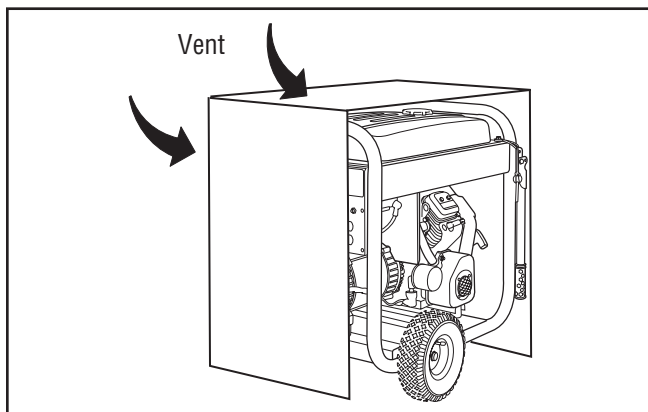
Fonctionnement par temps froid

Sous certaines conditions climatiques (température sous 4 °C [40 °F] avec humidité élevée) du givre pourrait s'accumuler dans le carburateur ou le système de reniflard du carter de votre génératrice. Pour réduire ce problème, il faut prendre les mesures suivantes:

1. Assurez-vous que la génératrice ait du combustible propre et frais.
2. Ouvrez la valve à essence (tournez la valve à la position ouverte).
3. Utilisez de l'huile SAE 5W-30.
4. Vérifiez quotidiennement le niveau de l'huile ou après chaque période de huit (8) heures de fonctionnement.
5. Entretenez la génératrice conformément aux instructions du *Calendrier d'entretien*.
6. Protégez l'unité contre les intempéries.

Création d'un abri temporaire

1. En cas d'urgence, utilisez l'emballage original en carton comme abri temporaire.
2. Découpez les rabats supérieurs et un des côtés longs du carton pour exposer le côté de l'unité où se trouve le silencieux. Au besoin, utilisez du ruban sur les autres côtés du carton pour l'adapter à la génératrice tel que montré.



REMARQUE: Au besoin, retirez les roues pour que le carton s'adapte à la génératrice, tel que montré.

3. Découpez des orifices appropriés pour avoir accès aux prises de l'unité.
4. Placez le côté exposé à l'abri du vent et des éléments.
5. Placez la génératrice tel que décrit dans la section *Emplacement de la génératrice*. Assurez-vous que les gaz d'échappement ne puissent entrer dans un espace restreint par une fenêtre, une porte, une prise d'aération ou une autre ouverture.

⚠ AVERTISSEMENT



Le moteur, lorsqu'il fonctionne, produit du monoxyde de carbone, un gaz toxique inodore et incolore.

L'inhalation du monoxyde de carbone peut causer des maux de tête, de la fatigue, des étourdissements, le vomissement, de la confusion, des crises épileptiques, des nausées, l'évanouissement ou la mort.

- Faites fonctionner le générateur SEULEMENT à l'extérieur.
- Installez un avertisseur de monoxyde de carbone à piles près des chambres à coucher.
- Évitez que les gaz d'échappement entrent dans un espace restreint, par une fenêtre, une porte, une prise d'aération ou toute autre ouverture.
- NE faites PAS fonctionner le générateur à l'intérieur d'un bâtiment ou d'un abri (même si les fenêtres et les portes sont ouvertes), y compris à l'intérieur du compartiment d'un véhicule de plaisance.

6. Démarrez la génératrice tel que décrit dans la section *Démarrage du moteur*, puis placez le carton sur la génératrice. Laissez un dégagement d'au moins 1,5 m (5 pi) tout autour de la génératrice, y compris au-dessus, lorsque l'abri en place.

⚠ AVERTISSEMENT



Tout contact avec la zone du silencieux peut causer des brûlures graves.



La chaleur et les gaz d'échappement peuvent enflammer des matériaux combustibles et les structures ainsi que causer des dommages au réservoir d'essence et entraîner un incendie.

- NE touchez PAS aux pièces chaudes et ÉVITEZ le contact avec les gaz d'échappement.
- Laissez l'équipement refroidir avant de le toucher.
- Laissez un dégagement d'au moins 1,5 m (5 pi) tout autour de la génératrice, y compris au-dessus.
- Retirez l'abri lorsque la température s'élève à plus de 4 °C [40 °F].

7. Retirez l'abri lorsque la température s'élève à plus de 4 °C [40 °F].
8. Arrêtez le moteur et laissez-le refroidir pendant deux (2) minutes avant de remplir le réservoir. Essayez tout déversement d'essence.

Création d'un abri permanent

1. Fabriquez une structure qui entourera les trois côtés et le dessus de la génératrice, en s'assurant que le côté du silencieux de la génératrice est exposé.

REMARQUE: La structure devrait contenir suffisamment de chaleur produite par la génératrice pour éviter les problèmes de givrage.

2. N'enveloppez PAS la génératrice plus que ce qu'indique.

REMARQUE: Lors des roues sont installées sur la génératrice, augmentez la dimension de l'abri en conséquence.

3. Suivez les étapes 3 à 8 tel que décrit précédemment dans la section *Création d'un abri temporaire*.

Ne pas surchargez générateur

Capacité

Vous devez vous assurer que votre générateur puisse fournir suffisamment de puissance nominale (appareil en marche) et de surtension (au démarrage) pour les appareils que vous voulez alimenter en même temps. Suivez ces étapes simples:

1. Sélectionnez les appareils que vous voulez alimenter simultanément.
2. Additionnez la puissance nominale (en marche) de ces appareils. Vous obtiendrez le montant de puissance que votre générateur doit produire pour faire fonctionner ces appareils. Voir le tableau à droite.
3. Évaluez le nombre de watts de surtension dont vous aurez besoin (au démarrage). La puissance de surtension est la brève explosion de puissance nécessaire pour démarrer les outils à moteur électrique ou les appareils électroménagers comme une scie circulaire ou un réfrigérateur. Parce que tous les moteurs ne démarrent pas au même moment, vous pouvez évaluer la puissance de surtension totale en additionnant seulement le ou les article(s) pour le(s)quel(s) la puissance de surtension supplémentaire est la plus importante, à la puissance nominale indiquée à l'étape 2.

Exemple:

Outil ou appareil	Puissance de fonctionnement (nominale)	Puissance de démarrage (crête) supplémentaire
Pompe de puits	1200	2100
Réfrigérateur	700	2200
Ventilateur de fournaise	800	2350
Téléviseur	500	—
Ampoule électrique (75 watts)	75	—
	Puissance de fonctionnement totale de 3 275 watts	Puissance de démarrage la plus élevée de 2 350 watts

Puissance nominale (appareil en marche) = 3,275

Watts de surtension supplémentaire = 2,350

Puissance totale du générateur supplémentaire = 5,625

Gestion de la consommation

Afin de prolonger la durée de vie de votre générateur et des accessoires, il est important de faire attention lorsque vous ajoutez des charges électriques à votre générateur. Aucun appareil ne doit être branché aux prises du générateur avant de démarrer le moteur. La manière correcte et sans aucun risque de gérer la consommation du générateur est d'ajouter séquentiellement des charges comme indiqué ci-dessous:

1. Démarrez le moteur comme l'indique ce manuel, sans aucun appareil branché au générateur.
2. Branchez et mettez en marche la première charge, la plus importante de préférence.
3. Laissez la puissance de sortie du générateur se stabiliser (le moteur tourne régulièrement et les dispositifs branchés fonctionnent correctement).

4. Branchez et mettez la charge suivante en marche.
5. De nouveau, laissez le générateur se stabiliser.
6. Répétez les étapes 4 et 5 pour chaque charge supplémentaire.

N'AJOUTEZ JAMAIS de charges supérieures à la puissance du générateur. Vérifiez particulièrement les charges de surtension de la capacité du générateur, comme il est indiqué ci-dessus.

GUIDE DE RÉFÉRENCE DE PUISSANCE		
Outil ou appareil	Puissance (de fonctionnement) nominale*	Puissance de crête (de démarrage) supplémentaire
Essentiels		
Ampoule électrique - 75 watts	75	—
Ventilateur de fournaise -1/2 HP	800	2350
Pompe de puisard -1/3 HP	800	1300
Réfrigérateur/congélateur	700	2200
Pompe de puits -1/2 HP	1000	2100
Chauffage/refroidissement		
Climatiseur de fenêtre -10 000 BTU	1200	3600
Humidificateur - 49,21 l (13 gal)	175	—
Climatiseur central - 24,000 BTU	3800	11400
Cuisine		
Four à micro-ondes - 1 000 watts	1000	—
Cafetière	1000	—
Cuisinière électrique - 8" élément	2100	—
Grille-pain	850	—
Salle familiale		
Lecteur DVD/CD	100	—
Magnétoscope	100	—
Récepteur stéréo	450	—
Téléviseur en couleurs - 27 po	500	—
Ordinateur personnel muni d'un écran de 17 po	800	—
Autre		
Système de sécurité	500	—
Radio-réveil AM/FM	100	—
Ouvre-porte de garage - 1/2 HP	875	2350
Chauffe-eau électrique	4700	11700
Site de travail/bricolage		
Lampe de travail à quartz-halogène	1000	—
Pistolet sans air - 1/3 HP	600	1200
Scie alternative	960	—
Perceuse électrique - 1/2 HP	600	900
Scie circulaire - 7 1/4 po	1400	2300
Scie à onglet - 10 po	1800	1800
Raboteuse - 6 po	1800	1800
Scie d'établi/radiale - 10 po	2000	2000
Compresseur d'air -1 HP	1600	4500

*La puissance indiquée ci-dessus est approximative. Vérifiez les outils ou les appareils électroménagers pour connaître leur puissance en watts.

Entretien

Calendrier d'entretien

Respectez le calendrier d'entretien selon le nombre d'heures de fonctionnement ou le temps écoulé, le premier des deux prévalant. Lorsque l'appareil est utilisé dans les conditions adverses décrites ci-dessous, il faut en faire l'entretien plus fréquemment.

8 premières heures
<ul style="list-style-type: none">• Changement d'huile à moteur
Aux 8 heures ou quotidiennement
<ul style="list-style-type: none">• Nettoyez les débris• Vérifier le niveau d'huile
Aux 25 heures ou 1 fois l'an
<ul style="list-style-type: none">• Faire l'entretien du préfiltre à air¹
Aux 50 heures ou 1 fois l'an
<ul style="list-style-type: none">• Faire l'entretien du pare-étincelles
Aux 100 heures ou 1 fois l'an
<ul style="list-style-type: none">• Faire l'entretien du filtre à air en papier¹• Vanne de combustible de service• Faire l'entretien des bougie d'allumage• Changement d'huile à moteur et le filtre²• Nettoyez le système de refroidissement¹
Aux 250 heures ou 1 fois l'an
<ul style="list-style-type: none">• Vérifier le jeu des soupapes

¹ Remplacez les pièces plus fréquemment si vous utilisez l'appareil dans un milieu sale ou poussiéreux.

² Changez l'huile à toutes les 50 heures ou à toutes les saisons si la génératrice fonctionne avec des charges importantes ou à des températures ambiantes élevées.

Recommandations générales

Un entretien régulier améliorera la performance et prolongera la durée de vie de la génératrice. Consultez un détaillant autorisé pour l'entretien.

La garantie de la génératrice ne couvre pas les éléments soumis à l'abus ou à la négligence de l'opérateur. Pour qu'elle soit entièrement valide, l'opérateur doit entretenir la génératrice conformément aux instructions contenues dans ce manuel.

Certains ajustements devront être faits périodiquement pour assurer un entretien adéquat de la génératrice.

Il faut effectuer toutes les opérations d'entretien et les réglages au moins une fois par saison. Suivez les instructions du "Calendrier d'entretien" ci-dessus

REMARQUE: Une fois par année, vous devez nettoyer ou remplacer la bougie d'allumage et remplacer le filtre à air. Une nouvelle bougie d'allumage et un filtre à air propre permettent d'assurer que le mélange essence-air est adéquat en plus de contribuer au meilleur fonctionnement de votre moteur et d'augmenter sa durée de vie.

Dispositif antipollution

L'entretien, le remplacement ou la réparation des dispositifs et systèmes antipollution peuvent être effectués par un établissement de réparation de moteurs hors route ou par une personne qualifiée. Pour obtenir un entretien « sans frais » du dispositif antipollution, le travail doit être effectué par un détaillant autorisé par le fabricant. Voir la *garantie du dispositif antipollution*.

Entretien de génératrice

L'entretien de la génératrice consiste à garder l'unité propre et sèche. Faites fonctionner et entreposez l'unité dans un environnement propre et sec où elle ne sera pas exposée à la poussière, saletés, humidité excessive ni à des vapeurs corrosives. Les fentes de refroidissement du moteur de la génératrice ne doivent pas être obstruées par de la saleté, des feuilles ou d'autres corps étrangers.

REMARQUE: N'utilisez PAS d'eau ou d'autres liquides pour nettoyer la génératrice. Les liquides peuvent s'introduire dans le système d'alimentation en essence et causer une performance médiocre et/ou des pannes. De plus, si des liquides entrent dans la génératrice par les fentes de refroidissement, une partie des liquides peut être retenue dans les parties vides et les fissures du rotor et les couches isolantes d'enroulements du stator. L'accumulation de liquide et de poussière dans les enroulements internes de la génératrice diminuera éventuellement la résistance des couches isolantes des enroulements.

Nettoyage de génératrice

Nettoyez les débris accumulés sur la génératrice à tous les jours ou avant de l'utiliser. Gardez toujours la tringlerie, le ressort et les commandes propres. Gardez la zone autour et derrière le silencieux libre de débris combustibles. Inspectez les fentes de refroidissement et les orifices de la génératrice. Ces ouvertures doivent demeurer propres et non obstruées.

Les parties de la génératrice doivent être gardées propres afin de réduire le risque de surchauffe et d'inflammation des débris accumulés.

- Utilisez un linge humide pour nettoyer les surfaces extérieures.

AVIS

Un traitement inapproprié du générateur risque de l'endommager et de raccourcir sa durée d'utilisation.

- N'EXPOSEZ PAS le générateur à une humidité excessive, à de la poussière, à de la saleté ou à des vapeurs corrosives.
- N'INSÉREZ aucun objet dans les fentes de refroidissement.

- Utilisez une brosse à soies douces pour détacher les accumulations de saletés ou d'huile.
- Utilisez un aspirateur pour ramasser les saletés et débris.

Entretien de la batterie

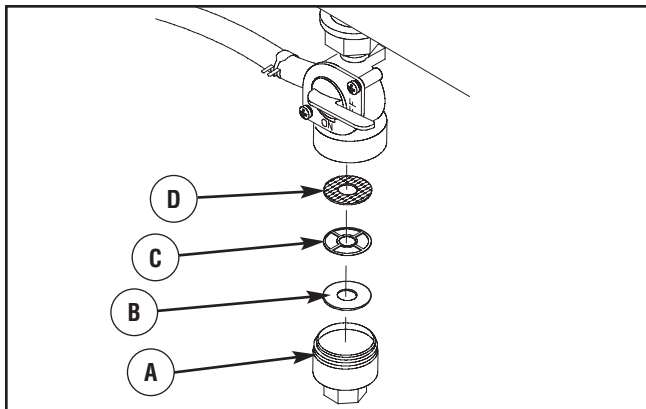
La batterie ne nécessite aucun entretien autre que le chargement à flotteur, décrit dans le présent manuel. Gardez la batterie et les bornes propres et sèches.

IMPORTANT: Le chargement de la batterie doit être effectué dans un endroit sec, à l'intérieur d'un garage par exemple.

Entretien de la vanne de combustible

La vanne de combustible comprend une cuvette de sédimentation de combustible, une crépine, un anneau de retenue et un joint torique qu'il faut nettoyer à tous les 100 heures d'utilisation ou une fois par an, le premier des deux prévalant.

1. Réglez la vanne de combustible à la position "Off" (Arrêt).
2. Retirez la cuvette de sédimentation (A) de la vanne de combustible. Retirez le joint torique (B), l'anneau de retenue (C) et la crépine (D) de la vanne de combustible.



3. Lavez la cuvette de sédimentation, le joint torique, l'anneau de retenue et la crépine dans un solvant inflammable. Séchez-les complètement.
4. Posez la crépine, l'anneau de retenue et le joint torique sur la vanne de combustible. Installez la cuvette de sédimentation et serrez-la solidement.
5. Réglez la vanne de combustible à la position "On" (Marche), et vérifiez s'il y a une fuite de combustible. Si c'est le cas, remplacez le joint torique.

Entretien du moteur

⚠ AVERTISSEMENT



Unintentional peut résulter dans feu ou électrique.



LORSQUE VOUS RÉGLEZ OU RÉPAREZ VOTRE GÉNÉRATRICE

- Débranchez toujours le câble de bougie et placez-le de façon à ce qu'il ne soit pas en contact avec la bougie.

LORS DE TESTS D'ALLUMAGE DU MOTEUR

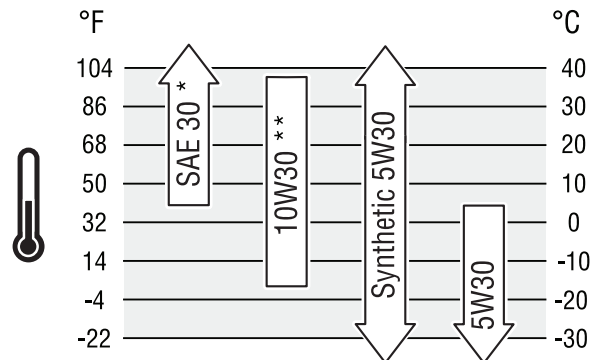
- Utilisez un vérificateur de bougies d'allumage approuvé.
- NE vérifiez PAS l'allumage lorsque la bougie d'allumage est enlevée.

Huile

Recommandations relatives à l'huile

Nous recommandons l'utilisation des huiles certifiées par garantie Briggs & Stratton pour obtenir une meilleure performance. Les autres huiles détergentes de haute qualité sont acceptables si elles ont les cotes pour service SF, SG, SH, SJ ou plus. N'utilisez pas d'additifs spéciaux.

Les températures extérieures déterminent la viscosité de l'huile requise pour le moteur. Utilisez le tableau pour choisir la meilleure viscosité pour la gamme de températures extérieures attendues.



* Sous 40°F (4°C), l'utilisation d'une huile SAE 30 entraîne un démarrage difficile.

** Au-dessus de 80°F (27°C), l'utilisation d'une huile 10W30 peut entraîner une consommation d'huile plus élevée. Vérifiez fréquemment le niveau d'huile.

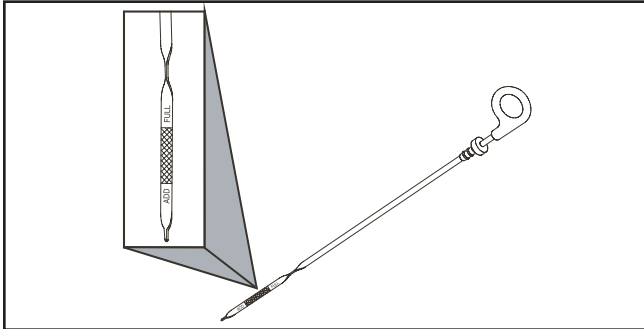


REMARQUE : L'huile synthétique respectant la marque d'homologation ILSAC GF-2, API et portant le symbole d'entretien API (montré à la gauche) avec la mention « SJ/CF (économie d'énergie) » ou plus, est une huile acceptable pour toutes les températures. L'utilisation d'huile synthétique ne modifie pas les intervalles de changement d'huile.

Vérification du niveau d'huile

Il est nécessaire de vérifier le niveau d'huile avant chaque utilisation ou après chaque période de 8 heures d'utilisation. Gardez un niveau d'huile constant.

1. Assurez-vous que génératrice se trouve sur une surface de niveau.
2. Nettoyez la surface autour de la jauge d'huile, retirez la jauge d'huile et nettoyez-la avec un chiffon propre. Insérez fermement la jauge, puis retirez-la et vérifiez le niveau d'huile.
3. Vérifiez si l'huile atteint le repère maximum ("Full") de la jauge d'huile. Insérez fermement la jauge d'huile avant de démarrer le moteur.



Ajout d'huile

1. Assurez-vous que génératrice se trouve sur une surface de niveau.
2. Vérifiez le niveau d'huile de la manière décrite dans la rubrique *Vérification du niveau d'huile*.
3. Au besoin, retirez le bouchon de remplissage d'huile et versez lentement de l'huile dans l'orifice de remplissage jusqu'au repère maximum ("Full") sur la jauge d'huile. **NE remplissez PAS trop le carter d'huile.**

AVIS

Un excès d'huile peut empêcher le moteur de démarrer ou rendre le démarrage difficile.

- NE remplissez PAS trop le carter d'huile.
- Si l'huile dépasse le repère maximum ("Full") sur la jauge d'huile, vidangez l'huile pour abaisser le niveau jusqu'au repère maximum de la jauge.

4. Remplacez et serrez le bouchon de remplissage d'huile et la jauge d'huile.

Changement d'huile à moteur et de filtre

Changez l'huile après la première période de 8 heures d'utilisation. Par la suite, changez l'huile et le filtre après chaque période de 100 heures d'opération ou une fois par an, le premier des deux prévalant. Si vous utilisez votre génératrice avec des charges importantes ou à des températures extrêmement élevées, changez alors l'huile à toutes les 50 heures.

ATTENTION

Évitez tout contact cutané prolongé ou répété avec l'huile moteur usagée.

- Il a été démontré que l'huile moteur usagée risque de provoquer un cancer de la peau chez certains animaux de laboratoire.
- Rincez consciencieusement les zones exposées avec de l'eau et du savon.



GARDEZ HOS DE PORTÉE DES ENFANTS. NE POLLUEZ PAS. CONSERVEZ LE SURPLUS. RAPPORTEZ L'HUILE USAGÉE AUX CENTRES DE RECYCLAGE.

Changez l'huile alors que le moteur est encore chaud, de la façon suivante:

1. Assurez-vous que l'appareil se trouve sur une surface de niveau.
2. Débranchez le fil de la bougies d'allumage et gardez-le éloigné de la bougies d'allumage.
3. Nettoyez la surface autour du bouchon de vidange d'huile. Le bouchon de vidange d'huile se trouve au bas du moteur.
4. Dévissez le bouchon de vidange d'huile et le bouchon de remplissage, puis vidangez complètement l'huile dans un contenant approprié.
5. Réinstallez le bouchon de vidange d'huile et serrez-le solidement.
6. Placez un contenant adéquat sous le filtre à huile et faites tourner le filtre dans le sens anti-horaire pour le retirer.
7. Enduisez légèrement le joint d'étanchéité du nouveau filtre avec de l'huile à moteur neuve. Tournez le nouveau filtre dans le sens horaire jusqu'à ce que le joint d'étanchéité s'appuie sur l'adaptateur du filtre, puis serrez encore de 3/4 de tour.
8. Retirez la jauge d'huile.
9. Versez lentement 1 litre (32 on) d'huile recommandée dans l'orifice de remplissage.
10. Démarrez et faites fonctionner le moteur pendant 30 secondes. Éteignez le moteur et attendez 30 secondes pour laisser couler l'huile.
11. Ajoutez de l'huile jusqu'au repère maximum ("Full") de la jauge d'huile. Essuyez la jauge d'huile chaque fois que vous vérifiez le niveau d'huile. **NE remplissez PAS trop.**

REMARQUE : Le moteur contient environ 1,4 litres (48 oz) lorsque vous changez l'huile et le filtre.

12. Remettez le bouchon de remplissage d'huile et la jauge d'huile. Serrez bien le couvercle de l'orifice de remplissage d'huile.
13. Essuyez tout déversement d'huile.
14. Rebranchez le fil de la bougies d'allumage à la bougies d'allumage.

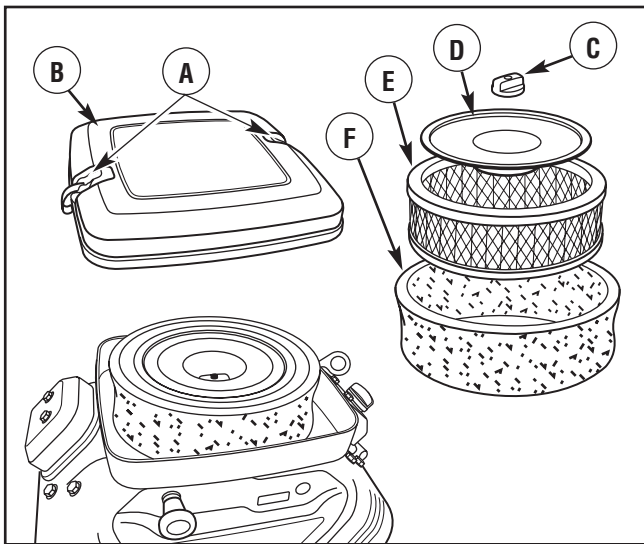
Entretien du filtre à air

Votre moteur ne fonctionnera pas adéquatement et pourrait s'endommager si vous le faites fonctionner avec un filtre à air sale.

Nettoyez ou remplacez le préfiltre en mousse à toutes les 25 heures d'utilisation ou plus souvent si vous utilisez la génératrice dans un endroit sale ou poussiéreux. Nettoyez ou remplacez le filtre à air en papier à toutes les 100 heures d'utilisation ou une fois par an, le premier des deux prévalant. Si vous utilisez la génératrice dans des endroits très sales ou poussiéreux, nettoyez-le ou remplacez-le plus souvent.

Pour faire l'entretien du filtre à air, procédez comme suit:

1. Décrochez les verrous (A) des deux côtés du couvercle (B) et retirez-le.

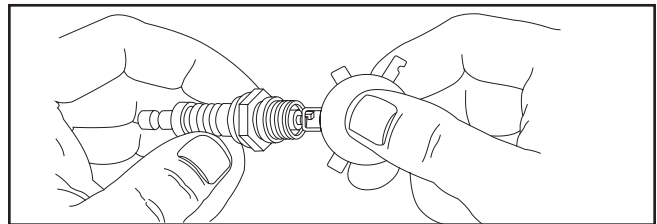


2. Retirez le bouton (C) et la plaque (D). Enlevez l'ensemble filtre à air avec soin de manière à éviter la chute de débris dans le carburateur.
3. Faites glisser le préfiltre en mousse (F) hors de la cartouche (E) et nettoyez-le dans un mélange de détergent liquide et d'eau.
4. Asséchez le préfiltre en le comprimant dans un linge propre. NE PAS LE TORDRE.
5. Tapotez doucement la cartouche sur une surface solide pour déloger et retirer les particules coincées.
6. Réassemblez le préfiltre propre (ou neuf) dans la cartouche propre (ou neuve).
7. Installez l'ensemble filtre à air propre (ou neuf) dans le couvercle. Jetez de manière adéquate l'ancien filtre.
8. Remettez le bouton et la plaque.
9. Remettez le couvercle en place et fixez les verrous sur le couvercle.

Entretien de la bougies d'allumage

Changez la bougies d'allumage à toutes les 100 heures d'utilisation ou une fois par an, le premier des deux prévalant. Ainsi, le moteur démarrera plus facilement et fonctionnera mieux.

1. Nettoyez la surface autour de la bougies d'allumage.
2. Enlevez la bougies d'allumage et examinez-la.
3. Vérifiez l'écartement des électrodes à l'aide d'une jauge d'épaisseur et ajustez l'écartement des électrode selon les spécifications recommandées au besoin (voir *Spécifications*).



4. Vérifiez l'écartement des électrodes à l'aide d'une jauge d'épaisseur et ajustez l'écartement à 0,030 po (0,76 mm) au besoin. Voir *Spécifications*.
5. Installez la bougies d'allumage et serrez-la solidement.

Entretien du pare-étincelles

Le silencieux d'échappement du moteur est muni d'un écran pare-étincelles. Examinez et nettoyez l'écran à toutes les 50 heures d'utilisation ou une fois par année, le premier des deux prévalant.

Si vous utilisez votre génératrice sur un terrain boisé, couvert de broussailles ou gazonné non défriché, elle doit être dotée d'un pare-étincelles. Le propriétaire/opérateur doit conserver le pare-étincelles en bon état.



AVERTISSEMENT



Tout contact avec la zone du silencieux peut causer des brûlures graves.

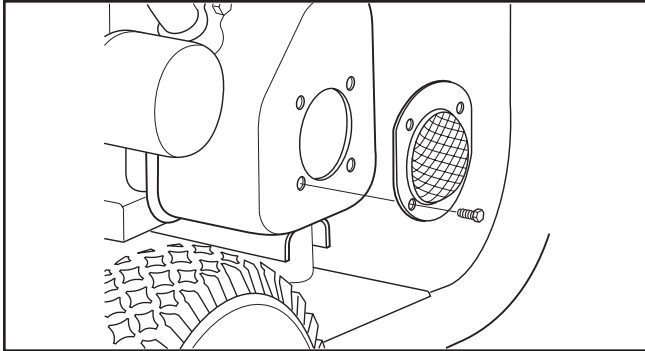


La chaleur et les gaz d'échappement peuvent enflammer des matériaux combustibles et les structures ainsi que causer des dommages au réservoir d'essence et entraîner un incendie.

- NE touchez PAS aux pièces chaudes et ÉVITEZ le contact avec les gaz d'échappement.
- Laissez l'équipement refroidir avant de le toucher.
- Laissez un dégagement d'au moins 1,5 m (5 pi) tout autour de la génératrice, y compris au-dessus.
- Le Code of Federal Regulation (CFR) Title 36 Parks, Forests, and Public Property exige que de l'équipement alimenté par un moteur à combustion interne soit doté d'un pare-étincelles et constamment maintenu en bon état fonctionnement, conformément à la norme de service 5100-1C de la USDA Forest ou à une révision de celle-ci. Dans l'État de la Californie, un pare-étincelles est requis en vertu de la section 4442 du California Public Resources Code. Il se peut que d'autres États aient des lois semblables aux terres fédérales. Si vous équipez le silencieux d'un pare-étincelles, il doit être en bon état de fonctionnement.

Nettoyez et inspectez le pare-étincelles comme suit:

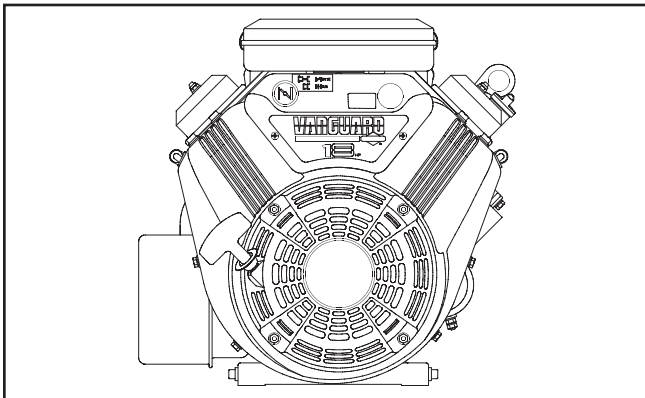
1. Dévissez les quatre vis qui retiennent l'écran pare-étincelle.
2. Inspectez l'écran et remplacez-le s'il est déchiré, perforé ou endommagé. **N'UTILISEZ PAS** un écran défectueux. Si l'écran n'est pas endommagé, nettoyez-le avec un solvant commercial recommandé.



3. Remettez l'écran en place et fixez-le avec quatre vis.

Nettoyer le système de refroidissement

Avec le temps, les débris peuvent s'accumuler dans les ailettes de refroidissement du cylindre et ne peuvent être repérés que par un désassemblage partiel du moteur. Nous vous recommandons donc de demander à un distributeur de service autorisé de nettoyer le système de refroidissement aux intervalles recommandés (consultez la section *Calendrier d'entretien*). Il est aussi important de garder le moteur libre de débris. Consultez la section *Nettoyage de la génératrice*.



Vérifier le jeu des soupapes

La vérification et le réglage réguliers du jeu des soupapes améliore la performance et prolonge la durée de vie du moteur. Cette procédure ne peut être effectuée sans un désassemblage partiel du moteur et le recours à des outils spéciaux. Nous vous recommandons donc de demander à un distributeur de service autorisé de vérifier et de régler le jeu des soupapes aux intervalles recommandés. (consultez la section *Calendrier d'entretien*).

Réglage du carburateur

Le carburateur de ce moteur ne produit que de faibles émissions. Il est muni d'une soupape de mélange de ralenti non réglable et d'un ralenti réglé, le cas échéant. Le ralenti réglé et la vitesse maximale ont été réglés en usine. Lorsqu'un réglage est requis, communiquez avec un distributeur de service autorisé.

ATTENTION

Les vitesses de fonctionnement excessivement élevées augmentent les risques de blessure ou risquent d'endommager le génératrice.

Les vitesses extrêmement lentes entraînent une charge importante.

- Ne trafiquez pas la vitesse réglée. Le génératrice produit une fréquence nominale et une tension correctes lorsqu'il fonctionne à une vitesse réglée.
- Ne modifiez PAS le génératrice d'aucune façon.

Entreposage

Le générateur doit être mise en route au moins une fois tous les sept jours et doit marcher pendant au moins 30 minutes. Si vous ne pouvez pas faire cela et que vous devez remiser le générateur pour plus de 30 jours, utiliser les informations ci-après comme guide pour préparer votre appareil au remisage.

Entreposage de la génératrice

- Nettoyez la génératrice tel qu'indiqué à la rubrique *Nettoyage* de la section *Entretien*.
- Assurez-vous que les fentes d'air de refroidissement et les ouvertures sur la génératrice sont ouvertes et non obstruées.

Directives d'entreposage à long terme

Le carburant peut être éventé après un entreposage de plus de 30 jours. Un carburant éventé cause la formation de dépôts acides et de gomme dans le système d'alimentation ou sur les pièces essentielles du carburateur. Pour garder l'essence propre, utilisez le stabilisateur d'essence FRESH START™ de Briggs & Stratton, disponible sous forme d'additif liquide ou cartouche de liquide concentré.

Il est inutile de vidanger le carburant du moteur si vous ajoutez un stabilisateur d'essence conformément aux directives. Faites tourner le moteur pendant 2 minutes pour faire circuler le stabilisateur dans le système de carburant. Vous pouvez ensuite entreposer le moteur et l'essence durant une période maximale de 24 mois.

Si le carburant du moteur n'a pas été traité avec un stabilisateur d'essence, vous devez le vidanger dans un contenant approuvé. Faites tourner le moteur jusqu'à ce qu'il s'arrête par manque d'essence. Il est recommandé d'utiliser du stabilisateur d'essence dans le contenant d'entreposage pour en conserver la fraîcheur.

AVERTISSEMENT



L'essence et ses vapeurs sont extrêmement inflammables et explosives.



Le feu ou l'explosion risque de provoquer des blessures graves, pouvant être fatales.

LORSQUE VOUS ENTREPOSEZ L'ESSENCE OU UN ÉQUIPEMENT AVEC UN RÉSERVOIR À ESSENCE

- Entrez-le loin des appareils de chauffage, des fours, des chauffe-eau, des sècheuses ou de tout autre appareil électroménager disposant d'une veilleuse ou de toute autre source d'inflammation risquant d'enflammer les vapeurs d'essence.

LORS DE L'VIDANGE DU CARBURANT

- Éteignez le générateur et laissez-le refroidir au moins 2 minutes avant de retirer le capuchon du réservoir de carburant. Desserrez lentement le capuchon pour laisser la pression s'échapper du réservoir.
- Vidangez le réservoir d'essence à l'extérieur.
- Éloignez l'essence des étincelles, des flammes, des veilleuses, de la chaleur et de toute autre source d'inflammation.
- N'allumez PAS de cigarette ou ne fumez pas à proximité de l'appareil.

Changement de l'huile

Alors que le moteur est encore chaud, vidangez l'huile du carter. Remplissez le carter à nouveau avec de l'huile de la qualité recommandée. Consultez la section *Changement d'huile*.

Huilage de l'alésage du cylindre

- Enlevez la bougie d'allumage et versez environ 30 ml (1 once) d'huile à moteur neuve dans le cylindre.
- Installez la bougie d'allumage et tirez lentement la poignée du démarreur pour distribuer l'huile.



AVERTISSEMENT



Unintentional peut résulter dans feu ou électrique.

- NE démarrez JAMAIS le moteur lorsque la bougie d'allumage est enlevée.

Autres idées de remisage

1. N'entreposez PAS d'essence d'une saison à l'autre à moins qu'elle ne soit traitée tel que décrit dans *Protection du système d'alimentation*.
2. Remplacez le contenant à essence s'il commence à rouiller. Un carburant contaminé peut causer des problèmes de moteur.
3. Si possible, entreposez l'appareil à l'intérieur et couvrez-le pour le protéger contre la poussière et les saletés.
4. Couvrez l'appareil à l'aide d'une housse de protection adéquate qui ne retient pas l'humidité.



AVERTISSEMENT



Les couvertures de rangement peuvent être inflammables.

- NE placez JAMAIS une couverture de rangement sur un générateur.
- Laissez l'appareil refroidir suffisamment avant de placer la couverture de rangement dessus.

5. Entrez le générateur dans un endroit propre et sec.

Dépannage

PROBLÈMES	CAUSE	SOLUTION
Le moteur marche, mais il ne se produit pas de courant c.a. dans les prises.	<ol style="list-style-type: none"> 1. Disjoncteur est ouvert. 2. Problème dans le générateur. 3. Pauvre connexion ou rallonge défectueuse. 4. L'appareil qui est branché est défectueux. 	<ol style="list-style-type: none"> 1. Réenclencher le disjoncteur. 2. Contacter négociant de service autorisé. 3. Vérifier et réparer. 4. Brancher un autre appareil qui ne soit pas défectueux.
Le moteur marche bien sans charge mais cale quand les charges sont branchées.	<ol style="list-style-type: none"> 1. Court-circuit dans une charge branchée. 2. Vitesse trop lente du moteur. 3. Le générateur est surchargé. 4. Court-circuit dans le générateur. 5. Filtre à essence encrassé ou sale. 	<ol style="list-style-type: none"> 1. Débrancher la charge en court-circuit. 2. Contacter négociant de service autorisé. 3. Voir <i>Ne Pas Surcharger Générateur</i>. 4. Contacter négociant de service autorisé. 5. Nettoyez ou remplacez le filtre à essence.
Le moteur ne veut pas démarrer; ou démarre et marche mal.	<ol style="list-style-type: none"> 1. Déplacez l'interrupteur Run/Stop à la position "Stop". 2. La soupape d'essence est à la position "Off". 3. Batterie défectueuse. 4. Bas niveau d'huile. 5. Filtre à air encrassé. 6. Filtre à essence encrassé ou sale. 7. Panne d'essence. 8. Essence éventée. 9. Fil de bougie non branché à la bougie. 10. Bougie défectueuse. 11. Eau présente dans l'essence. 12. Moteur noyé. 13. Mélange d'essence trop riche. 14. Soupape d'admission bloquée en position ouverte ou fermée. 15. Perte de compression du moteur. 	<ol style="list-style-type: none"> 1. Réglez l'interrupteur sur "Run". 2. Placez la soupape à essence à la position "On". 3. Remplacez la batterie. 4. Remplissez le carter au niveau requis ou placez la génératrice sur une surface de niveau. 5. Nettoyez ou remplacez le filtre à air. 6. Nettoyez ou remplacez le filtre à essence. 7. Faites le plein du réservoir. 8. Vidangez le réservoir; faites le plein avec de l'essence nouvelle. 9. Branchez le fil à la bougie. 10. Remplacez la bougie. 11. Vidangez le réservoir; faites le plein avec de l'essence nouvelle. 12. Attendez 5 minutes et redémarrez le moteur. 13. Contacter négociant de service autorisé. 14. Contacter négociant de service autorisé. 15. Contacter négociant de service autorisé.
Le moteur s'arrête pendant la marche.	<ol style="list-style-type: none"> 1. Plus d'essence. 2. Filtre à essence encrassé ou sale. 3. Bas niveau d'huile. 	<ol style="list-style-type: none"> 1. Remplir le réservoir de carburant. 2. Nettoyez ou remplacez le filtre à essence. 3. Remplissez le carter au niveau requis ou placez la génératrice sur une surface de niveau.
Le moteur manque de puissance.	<ol style="list-style-type: none"> 1. La charge est trop grande. 2. Filtre à air encrassé. 3. Filtre à essence encrassé ou sale. 	<ol style="list-style-type: none"> 1. Voir <i>Ne Pas Surcharger Générateur</i>. 2. Remplacez le filtre à air. 3. Nettoyez ou remplacez le filtre à essence.
Le moteur a des "à-coups" ou des hésitations.	<ol style="list-style-type: none"> 1. Le mélange est trop riche ou trop pauvre dans le carburateur. 2. Filtre à essence encrassé ou sale. 	<ol style="list-style-type: none"> 1. Contacter négociant de service autorisé. 2. Nettoyez ou remplacez le filtre à essence.

Garanties

Garantie du dispositif antipollution

Briggs & Stratton Corporation (B&S), le California Air Resources Board (CARB) et le United States Environmental Protection Agency (U.S. EPA)

Énoncé de garantie du dispositif antipollution (Droits et obligations du propriétaire relatifs à la garantie contre les défauts)

Énoncé de garantie du dispositif antipollution pour la Californie, les États-Unis et le Canada

Le California Air Resources Board (CARB), l'U.S. EPA et B&S sont heureux de vous expliquer la garantie couvrant le dispositif antipollution de votre petit moteur hors route. En Californie, les nouveaux modèles de petits moteurs hors route de l'année 2006 et ultérieurs doivent être conçus, construits et équipés de façon à respecter les normes anti-smog rigoureuses de l'état. Ailleurs aux États-Unis, les nouveaux moteurs à étincelles hors route homologués, modèles 1997 ou plus récents, doivent respecter des normes semblables définies par l'U.S. EPA. B&S doit garantir le dispositif antipollution de votre moteur pour les périodes indiquées ci-dessous, à condition qu'il n'y ait pas eu d'abus, de négligence, de mauvais entretien sur ledit moteur.

Votre dispositif antipollution comprend des pièces comme le carburateur, le filtre à air, le système d'allumage, le conduit d'essence, le silencieux et le convertisseur catalytique. Il peut aussi y avoir des connecteurs et d'autres dispositifs reliés aux émissions.

Dans le cas d'un défaut couvert par la garantie, B&S réparera votre petit moteur hors route sans frais, et ce, incluant le diagnostic, les pièces et la main d'œuvre.

Couverture de garantie contre les défauts du dispositif antipollution de Briggs & Stratton

La garantie de votre petit moteur hors route couvre les pièces défectueuses du dispositif antipollution pour une période de deux ans, sujette aux dispositions détaillées ci-dessous. Si une pièce de votre moteur couverte par la garantie est défectueuse, B&S la réparera ou la remplacera.

Responsabilités de la garantie du propriétaire

En tant que propriétaire de petit moteur hors route, vous êtes responsable de l'exécution de l'entretien requis indiqué dans vos instructions d'utilisation et d'entretien. B&S recommande de conserver tous les reçus reliés à l'entretien de votre petit moteur hors route; toutefois, B&S ne peut refuser la garantie uniquement parce que vous êtes dans l'impossibilité de produire les reçus ou que vous n'avez pas effectué toutes les étapes de l'entretien prévu.

Néanmoins, vous devez savoir, en tant que propriétaire de petit moteur hors route, que B&S peut renier la garantie si votre moteur ou une pièce font défaut en raison d'abus, de négligence, d'entretien inadéquat ou de modifications non approuvées.

Dès qu'un problème survient, vous avez la responsabilité de faire examiner votre moteur chez un distributeur de service B&S autorisé. Les réparations couvertes par la garantie non contestées doivent être effectuées dans un délai raisonnable, n'excédant pas 30 jours.

Si vous avez des questions au sujet de vos droits et responsabilités reliés à la garantie, veuillez communiquer avec un représentant de B&S au 1-414-259-5262.

La garantie du dispositif antipollution est une garantie contre les défauts. Les défauts sont évalués selon la performance normale du moteur. La garantie n'est pas reliée à un test du dispositif antipollution à l'usage.

Dispositions de la garantie contre les défauts du dispositif antipollution de Briggs & Stratton

Les dispositions qui suivent sont spécifiques à la couverture de garantie contre les défauts du dispositif antipollution. Elle est un ajout à la garantie sur les moteurs de B&S pour les moteurs non régulés, figurant dans le manuel d'utilisation.

1. Pièces garanties

La couverture de cette garantie n'englobe que les pièces énumérées ci-dessous (pièces du dispositif antipollution) dans la mesure où ces pièces étaient présentes sur le moteur au moment de l'achat.

a. Système de contrôle d'alimentation en carburant

- Dispositif d'enrichissement pour démarrage à froid (étrangleur à glissement)
- Carburateur et pièces internes
- Pompe à carburant
- Conduit d'essence, raccords de conduit d'essence, brides de serrage
- Réservoir d'essence, bouchon et attache
- Absorbeur de vapeurs d'essence

b. Circuit d'entrée d'air

- Filtre à air
- Collecteur d'admission
- Ligne de purge et d'évacuation

c. Système d'allumage

- Bougie(s) d'allumage
- Système d'allumage à magnéto

d. Système de catalyseur

- Catalytic converter
- Collecteur d'échappement
- Système d'injection d'air ou soupape d'impulsion

- e. Éléments divers utilisés dans les systèmes précédemment mentionnés
 - Soupapes et interrupteurs de dépression, de température, de position, à délai critique
 - Connecteurs et dispositifs
2. Durée de la couverture

B&S garantit au propriétaire initial et à tous les acheteurs ultérieurs que les pièces garanties seront libres de tout défaut de matériel et de main d'œuvre qui pourrait entraîner la défectuosité des pièces garanties, et ce, pour une période de deux ans à compter de la date de livraison du moteur à un acheteur au détail.
3. Aucun frais

La réparation ou le remplacement de toute pièce garantie s'effectuera sans frais pour le propriétaire, y compris la main d'œuvre reliée au diagnostic concluant qu'une pièce garantie est effectivement défectueuse, si le diagnostic est effectué chez un distributeur de service B&S approuvé. Pour obtenir des services en vertu de la garantie sur les émissions, veuillez appelez le distributeur de service autorisé de B&S le plus près de chez vous. Vous le trouverez dans les "Pages Jaunes" sous "Moteurs, essence", "Essence, moteurs", "Tondeuses à gazon" ou une catégorie similaire.
4. Réclamations et exclusions de couverture

Les réclamations au titre de la garantie doivent être présentées conformément aux dispositions de la politique de garantie du moteur de B&S. La couverture de garantie n'englobe pas les défectuosités sur des pièces garanties qui ne sont pas les pièces originales de B&S ou les défectuosités reliées à un abus, de la négligence ou un entretien inapproprié tel que détaillé dans la politique de garantie du moteur de B&S. B&S n'a pas la responsabilité de couvrir les défectuosités des pièces garanties causées par l'utilisation de pièces ajoutées, non originales ou modifiées.
5. Entretien

Toute pièce garantie dont le remplacement n'est pas prévu dans l'entretien requis, ou qui ne doit faire l'objet que d'une inspection régulière et qu'il ne faut que "réparer ou remplacer au besoin", est garantie contre les défectuosités pour la durée de la période de garantie. Toute pièce garantie dont le remplacement fait partie de l'entretien requis est garantie contre les défauts seulement pour la période se terminant au premier remplacement prévu de ladite pièce. Toute pièce de rechange dont la performance et la durabilité sont équivalentes peut être utilisée pour l'entretien ou les réparations. Le propriétaire est responsable de l'exécution de l'entretien requis, indiqué dans le manuel d'utilisation de B&S.
6. Couverture indirecte

La couverture prévue aux présentes englobe toute défectuosité de l'un des composants du moteur causée à la suite d'une défectuosité d'une des pièces garanties encore couverte par la garantie.

Renseignements sur les émissions

Les renseignements concernant la période de durabilité des émissions et l'indice de pollution atmosphérique doivent être fournis avec les moteurs qui répondent aux normes relatives aux émissions de la California Air Resources Board (CARB). Le fabricant du moteur doit fournir ces renseignements aux consommateurs sur des étiquettes d'émissions. L'étiquette des émissions du moteur fournit des renseignements sur la certification.

La **période de durabilité des émissions** décrit le nombre d'heures pendant lesquelles le moteur peut fonctionner en respectant les normes relatives aux émissions, en supposant que l'entretien est effectué conformément aux directives de fonctionnement et d'entretien. Les catégories utilisées sont les suivantes :

Modéré : Le moteur peut fonctionner pendant 125 heures tout en respectant la norme relative aux émissions.

Intermédiaire : Le moteur peut fonctionner pendant 250 heures tout en respectant la norme relative aux émissions.

Prolongé : Le moteur peut fonctionner pendant 500 heures tout en respectant la norme relative aux émissions.

Par exemple, l'utilisation d'une tondeuse poussée est d'environ 20 à 25 heures par année. Par conséquent, la **période de durabilité des émissions** d'un moteur de catégorie **intermédiaire** équivaut à une période de 10 à 12 années.

Certains moteurs respecteront les normes relatives aux émissions de phase 2 de la United States Environmental Protection Agency (USEPA). Dans le cas des moteurs homologués phase 2, la période de conformité des émissions indiquée sur l'étiquette de conformité des émissions indique le nombre d'heures de fonctionnement pendant lesquelles le moteur a démontré qu'il respectait les exigences fédérales en matière d'émissions.

Pour les moteurs de cylindrée inférieure à 225 cc:

Catégorie C = 125 heures

Catégorie B = 250 heures

Catégorie A = 500 heures.

Pour les moteurs de cylindrée égale ou supérieure à 225 cc:

Catégorie C = 250 heures

Catégorie B = 500 heures

Catégorie A = 1000 heures.

GARANTIE DU PROPRIÉTAIRE D'UN GÉNÉRATRICE PORTATIVE BRIGGS & STRATTON POWER PRODUCTS GROUP, LLC

À partir du 1er Février 2006, la présente garantie remplace toute garantie non datée et toute garantie dont la date est antérieure au 1er Février 2006

GARANTIE LIMITÉE

Briggs & Stratton Power Products Group, LLC réparera ou remplacera, sans frais, toutes pièces d'génératrice portative défectueuses comportant un vice de matériau ou un défaut de fabrication ou les deux. En vertu de la présente garantie, les frais de transport des produit soumises pour réparation ou remplacement sont à la charge de l'acheteur. La présente garantie sera en vigueur durant les périodes stipulées ci-dessous et est assujettie aux conditions stipulées ci-dessous. Pour obtenir des services en vertu de la garantie, veuillez consulter notre Outil de recherche d'un Service après-vente agréé au <http://www.BRIGGSandSTRATTON.COM> afin de trouver un distributeur de service après-vente agréé dans votre région.

IL N'EXISTE AUCUNE AUTRE GARANTIE EXPRESSE. LES GARANTIES IMPLICITES, INCLUANT CELLES DE QUALITÉ MARCHANDE ET D'ADAPTATION À UN USAGE PARTICULIER, SONT LIMITÉES À UNE PÉRIODE D'UN AN À PARTIR DE LA DATE D'ACHAT OU JUSQU'À LA LIMITE PERMISE PAR LA LOI, TOUTE GARANTIE IMPLICITE EST EXCLUE. LA RESPONSABILITÉ POUR DOMMAGES ACCESSOIRES OU INDIRECTS EST EXCLUE DANS LA MESURE OÙ UNE TELLE EXCLUSION EST PERMISE PAR LA LOI. Certains États/provinces ou pays n'autorisent aucune restriction sur la durée d'une garantie implicite, et certains États/provinces ou pays n'autorisent pas l'exclusion ou la limitation des dommages consécutifs ou indirects. Par conséquent, les restrictions et exclusions décrites ci-dessus pourraient ne pas s'appliquer dans votre cas. La présente garantie vous accorde certains droits légaux spécifiques et vous pourriez également en avoir d'autres, qui peuvent varier d'un État ou d'une province à l'autre et d'un pays à l'autre.

PÉRIODE DE GARANTIE

Usage par un consommateur	2 ans*
Usage à des fins commerciales	1 an

*deuxième an sépare seulement

La période de garantie débute à la date d'achat par le premier utilisateur final, et se prolonge pour la durée stipulée ci-dessus. "Usage par un consommateur" signifie utilisation domestique personnelle dans une résidence, par l'acheteur au détail. "Usage à des fins commerciales" signifie toute autre utilisation, y compris à des fins commerciales, générant de revenus ou de location. Aux fins de la présente garantie, dès qu'un équipement a été utilisé commercialement une fois, il est par la suite considéré comme étant d'usage à des fins commerciales.

POUR EXERCER LA GARANTIE SUR TOUT PRODUIT FABRIQUÉ PAR BRIGGS & STRATTON, IL N'EST PAS NÉCESSAIRE DE L'ENREGISTRER. CONSERVEZ LE REÇU COMME PREUVE D'ACHAT. SI, LORS D'UNE RÉCLAMATION DE GARANTIE, VOUS NE POUVEZ PROUVER LA DATE INITIALE DE L'ACHAT, NOUS UTILISERONS LA DATE DE FABRICATION DU PRODUIT COMME DATE DE RÉFÉRENCE POUR DÉTERMINER LA PÉRIODE DE GARANTIE.

À PROPOS DE LA ÉQUEPMENT GARANTIE

Nous acceptons de faire effectuer les réparations couvertes par la garantie et tenons à nous excuser pour tout inconvénient subi. Tout agent d'un service après-vente agréé peut exécuter les réparations couvertes par la garantie. La plupart des réparations couvertes par la garantie sont traitées automatiquement; cependant, il arrive parfois que les demandes de service en vertu de la garantie soient non fondées. Par exemple, la garantie ne couvre pas les dommages causés à l'équipement par une utilisation abusive, par un manque d'entretien périodique, durant l'expédition, la manutention ou l'entreposage, ou en raison d'une installation inadéquate. De même, la garantie sera annulée si la date de fabrication ou le numéro de série apposé à l'génératrice portative a été enlevé ou si l'équipement a été changé ou modifié. Durant la période de garantie, le distributeur de service après-vente agréé réparera ou remplacera, à son gré, toute pièce qui, après examen, est trouvée défectueuse à la suite d'une utilisation et d'un entretien normaux. La présente garantie ne couvre pas les réparations et les équipements suivants:

- **Usure normale:** Comme tout autre dispositif mécanique, les groupes électrogènes d'extérieur nécessitent l'entretien périodiques de certaines pièces pour fonctionner adéquatement. La présente garantie ne couvre pas les frais de réparation des pièces ou des équipements dont la durée de vie utile a été dépassée à la suite d'une utilisation normale.
- **Installation et entretien:** La présente garantie ne couvre pas les équipements ou les pièces qui ont fait l'objet d'une installation ou de modifications et de changements inadéquats ou non autorisés, d'une mauvaise utilisation, de négligence, d'un accident, d'une surcharge, d'emballement, d'entretien inadéquat, de réparation ou d'entreposage qui, selon nous, auraient nui à la performance et à la fiabilité du produit. De plus, la garantie ne couvre pas l'entretien normal tel que les filtres à air, le réglage, le nettoyage du circuit d'alimentation et son obstruction (causée par l'accumulation de produits chimiques, de saletés, de calamine, de calcaire, et ainsi de suite).
- **Exclusions supplémentaires:** La présente garantie exclut les pièces qui s'usent telles que les les joints toriques, les filtres, etc., ou tout mauvais fonctionnement résultant d'un accident, d'une utilisation abusive, de modifications, de changements ou d'un entretien inadéquat du système, du gel ou d'une détérioration chimique. La garantie du produit ne couvre pas les pièces accessoires telles que les commencer piles, les série de corde d'adaptateur de générateur et les couverture d'emmagasinage. Est aussi exclu tout équipement usé, remis à neuf ou de démonstration, tout équipement utilisé pour l'alimentation principale en remplacement de l'alimentation de service et tout équipement utilisé pour l'alimentation d'appareils de maintien des fonctions vitales. Cette garantie exclut toute défaillance due à une catastrophe naturelle ou à toute autre force majeure hors du contrôle du fabricant. 198189F, Rev. B, 12/31/2006



Génératrice Portatif

Caractéristiques du produit

Puissance en watts commençant	12,500 Watts
Puissance en watts	10,000 Watts
Courant nominal	
à 120 Volts CA	41.6 Ampères
à 240 Volts CA	83.3 Ampères
Fréquence c.a.	60 Hz at 3600 rpm
Phase	Monophasé
Poids à l'expédition	126 kg (278 lbs.)
Cylindrée	50 cc (34.75 cu. in.)
Écartement des électrodes	0.76 mm (0.030 in.)
Volume du réservoir	26.5 Litres (7 gallons US)
Capacité du carter d'huile (avec filtre)	1.4 Litres (48 Onces)

Pièces d'entretien courant

Filtre à air avec préfiltre	5050D
Filtre à air	394018S
Préfiltre	272490S
Filtre à huile	492932S or 5049D
Filtre à huile à durée prolongée	696854 or 5076D
Bougie antiparasite	491055S
Bouteille d'huile à moteur	100005 or 100028
Bouteille d'huile synthétique	100074
Stabilisateur d'essence	100002 or 5041D
Pare-étincelles	392390

Puissance nominale: La puissance nominale brute des modèles avec moteur à essence est indiquée sur une étiquette, conformément au code J1940 (Small Engine Power & Torque Rating Procedure) de la SAE (Society of Automotive Engineers), et la performance nominale a été obtenue et corrigée conformément au code J1995 (révision 05-2002) de la SAE. Les valeurs de couple ont été mesurées à 3 060 tr/min; les valeurs de puissance ont été mesurées à 3 600 tr/min. La puissance brute réelle du moteur sera inférieure et sera affectée, entre autres choses, par les conditions de fonctionnement ambiantes ainsi que par les différents entre moteurs. Étant donné la vaste gamme de produits sur lesquels nos moteurs sont installés, ainsi que la variété de problèmes environnementaux reliés au fonctionnement de l'équipement, il est possible que le moteur à essence que vous avez acheté ne développe pas la puissance nominale brute indiquée lorsqu'il est utilisé pour entraîner un appareil électrique donné (puissance « sur site » ou net réelle). Cette différence est causée par différents facteurs dont, entre autres, les accessoires (filtre à air, échappement, chargement, refroidissement, carburateur, pompe à essence, etc.), les limites de l'appareil, les conditions de fonctionnement ambiante (température, humidité, l'altitude) et les différences entre moteurs. En raison des limites de fabrication et de capacité, Briggs & Stratton peut substituer un moteur de plus grande puissance pour un moteur de cette série.

Briggs & Stratton Power Products Group, LLC
900 N. Parkway
Jefferson, Wisconsin, 53549 U.S.A.

Free Manuals Download Website

<http://myh66.com>

<http://usermanuals.us>

<http://www.somanuals.com>

<http://www.4manuals.cc>

<http://www.manual-lib.com>

<http://www.404manual.com>

<http://www.luxmanual.com>

<http://aubethermostatmanual.com>

Golf course search by state

<http://golfingnear.com>

Email search by domain

<http://emailbydomain.com>

Auto manuals search

<http://auto.somanuals.com>

TV manuals search

<http://tv.somanuals.com>