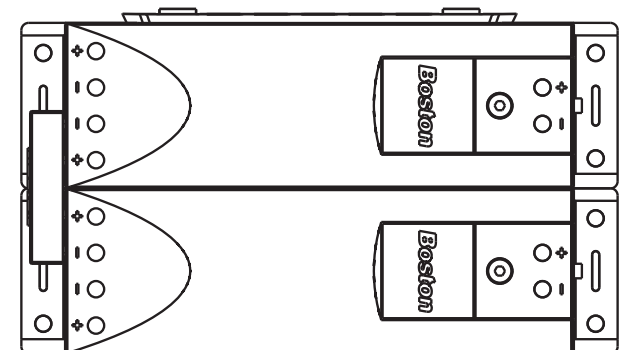
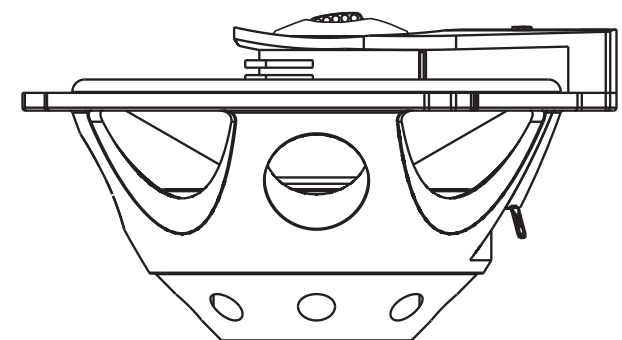
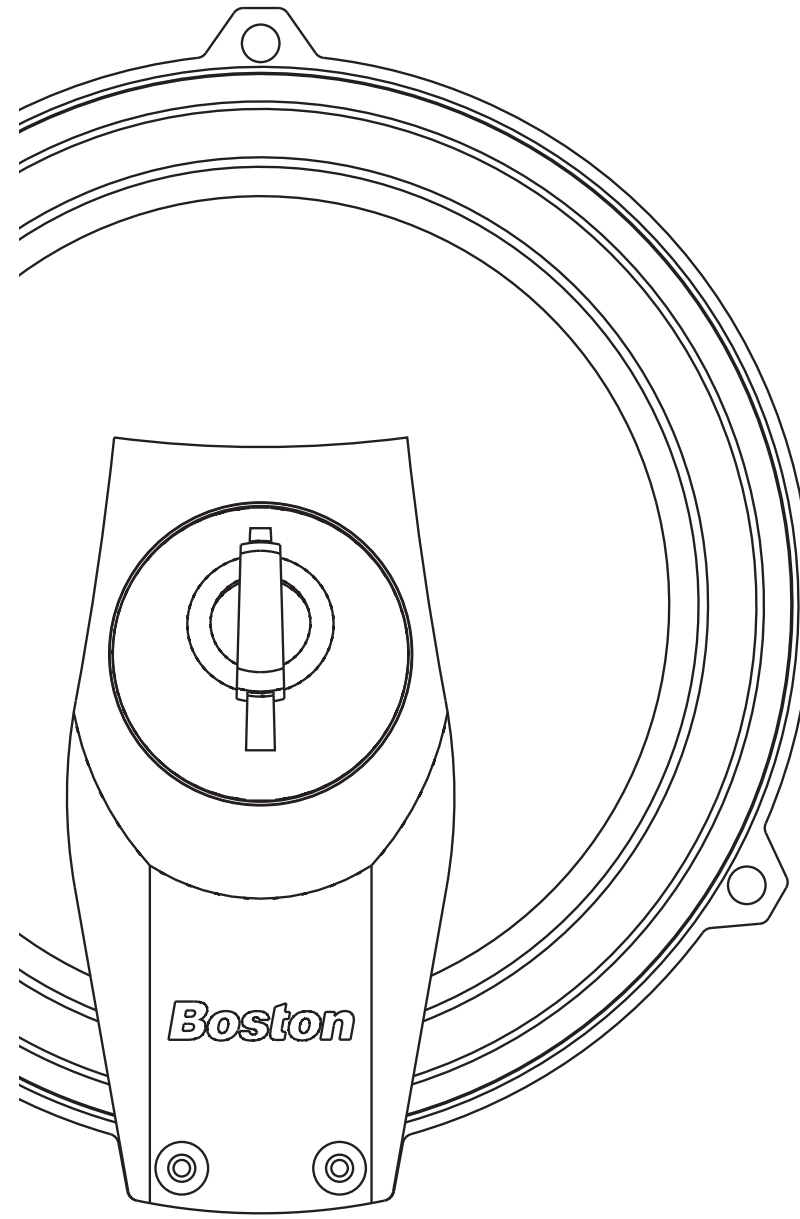
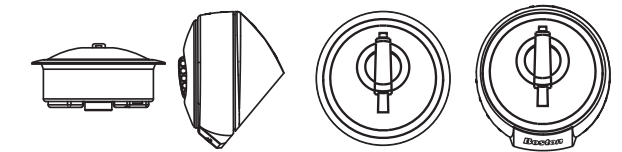


| Specifications      | Pro60 SE              |
|---------------------|-----------------------|
| Nominal Size        | 6 1/2"                |
| RMS Power Handling  | 125 watts             |
| Peak Power Handling | 250 watts             |
| Nominal Impedance   | 3 ohms                |
| Frequency Response  | 50Hz-22kHz (±3dB)     |
| Sensitivity         | 90dB (1watt @ 1meter) |

| #         | Description                     | Quantity |
|-----------|---------------------------------|----------|
| 1         | Pro60 SE Woofer                 | 2        |
| 2         | Type-M1 1" Alloy Dome Tweeter   | 2        |
| 3         | Pro60 SE Woofer Crossover       | 2        |
| 4         | Pro60 SE Tweeter Crossover      | 2        |
| 5         | Tweeter Grille                  | 2        |
| 6         | Tweeter Axis-Mount              | 2        |
| 7         | Tweeter Flush-Mount             | 2        |
| 8         | Tweeter Angle-Mount (top)       | 2        |
| 9         | Tweeter Angle-Mount (bottom)    | 2        |
| 10        | 5 x 7" (127 x 177mm) Adapter    | 2        |
| 11        | 6" (160mm) Adapter              | 2        |
| 12        | 6 1/2" (165mm) Adapter          | 2        |
| 13        | Woofer Gasket                   | 2        |
| not shown | Woofer Hardware Package         | 1        |
| 14        | Boston Hex Tool                 | 1        |
| 15        | Woofer Grille                   | 2        |
| 16        | Small Gold Terminal             | 2        |
| 17        | Large Gold Terminal             | 2        |
| 18        | Crossover Bridge                | 2        |
| 19        | 1/2" (13mm) Spacer              | 2        |
| not shown | 11/16" Socket Button Head Screw | 6        |
| 20        | 1/4" Socket Button Head Screw   | 6        |
| not shown | Tweeter Hardware Pack           | 2        |
| 21        | 1" Socket Head Screw            | 4        |
| 22        | Spring Clips                    | 4        |
| 23        | Terminated Tweeter Wire         | 2        |
| 24        | Axis-Mount Stand-Off            | 2        |
| 25        | 3/8" Pan Head Screw             | 2        |
| 26        | 1" Flat Hex Head Screw          | 2        |
| not shown | 1/2" Pan Head Screw             | 2        |
| 27        | 11/8" Socket Button Head Screw  | 16       |
| 28        | 1 1/2" Flat Hex Head Screw      | 2        |
| 29        | 1/2" Self-Tapping Screw         | 4        |
| 30        | 1" Self-Tapping Screw           | 4        |
| 31        | 3/32" Hex Bit                   | 1        |



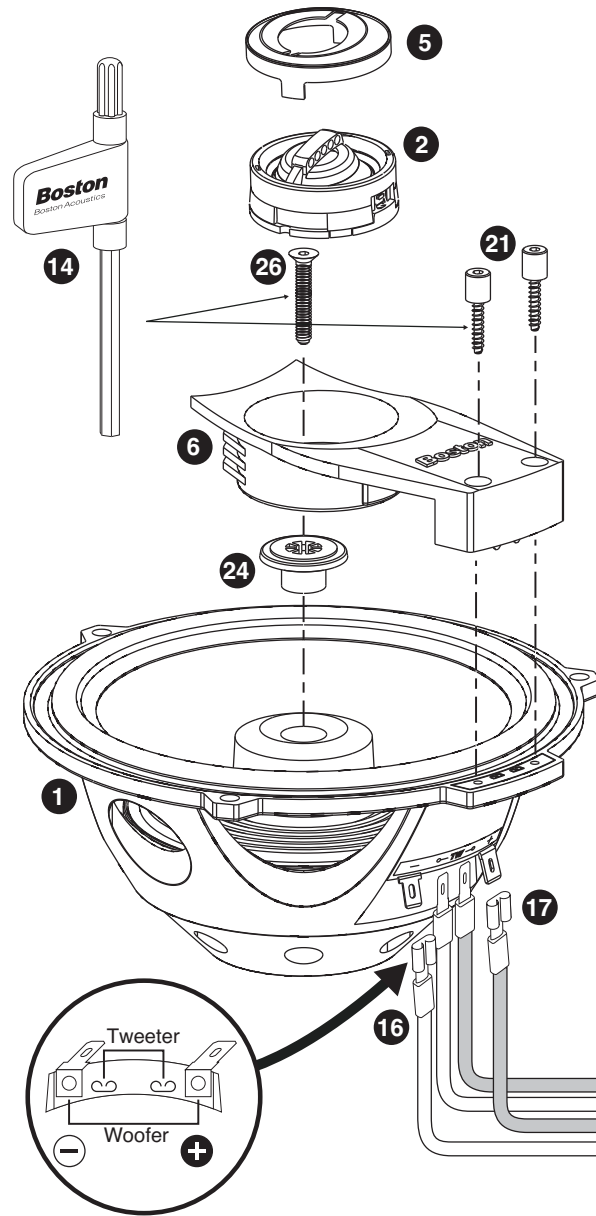
Boston Acoustics, Inc. 300 Jubilee Drive, Peabody, MA 01960 USA T: 978.538.5000 F: 978.538.5100 W: bostonacoustics.com  
 Boston, Boston Acoustics, and the Boston Acoustics logo are registered trademarks of Boston Acoustics, Inc.  
 Specifications are subject to change without notice.  
 © 2008 Boston Acoustics, Inc. All rights reserved. Covered by patents issued and/or pending.

142-003255-0

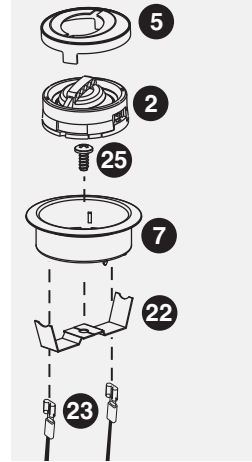
High Performance 6 1/2-inch Component Speaker System



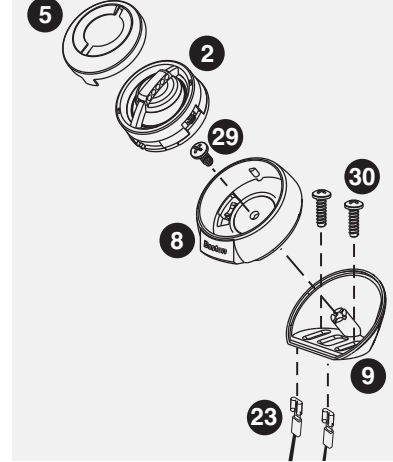
### Axis-Mount



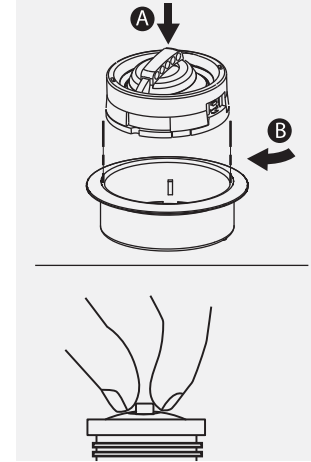
### Flush-Mount



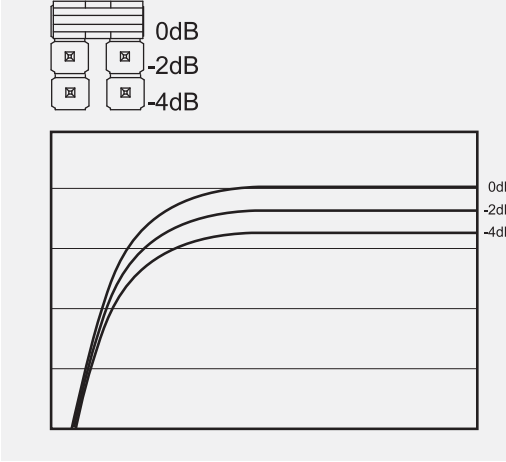
### Angle-Mount



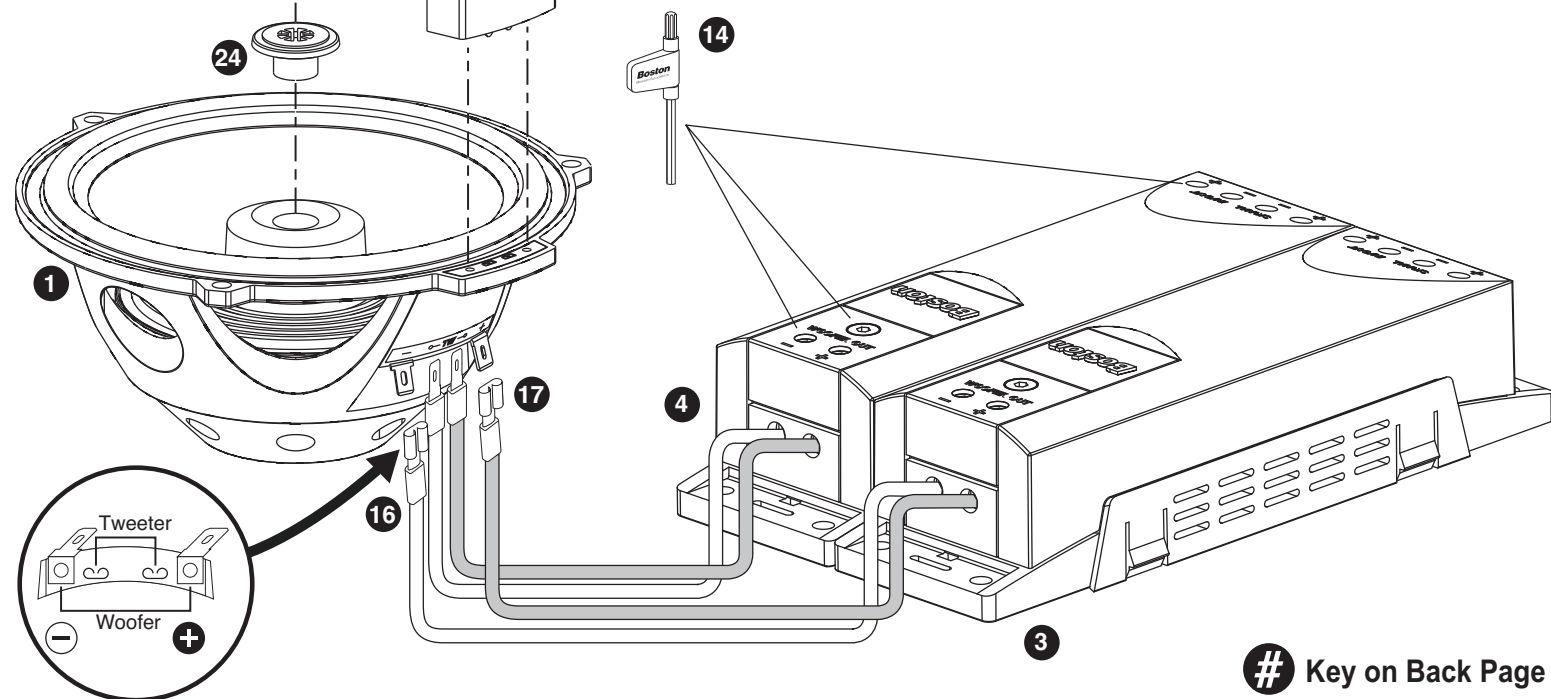
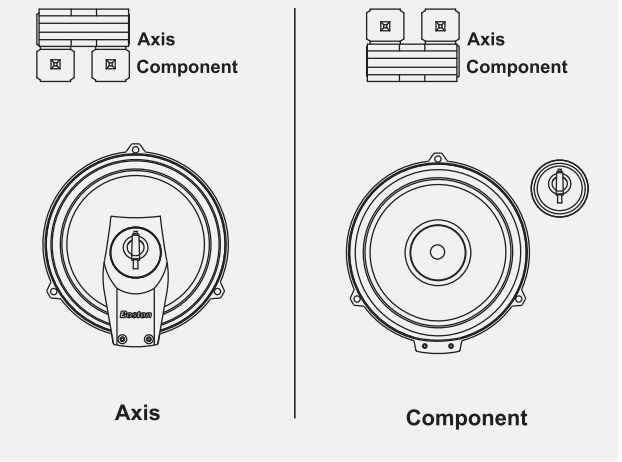
### Tweeter Installation



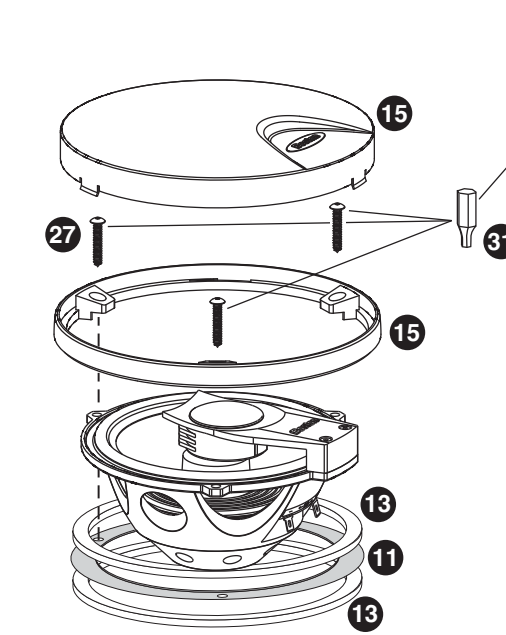
### Tweeter Attenuation



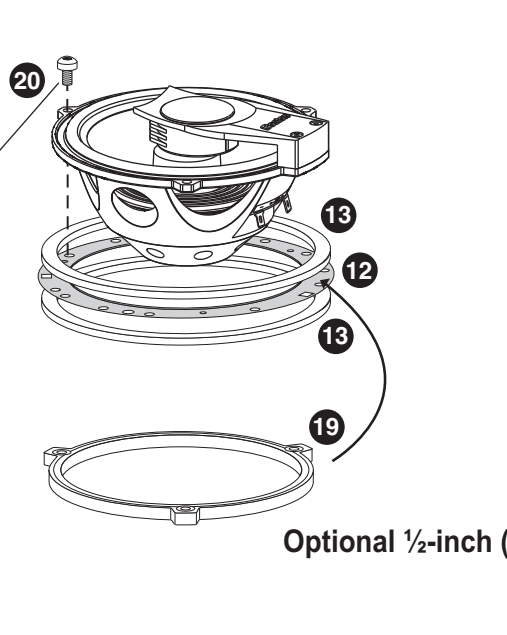
### Axis / Component Configuration



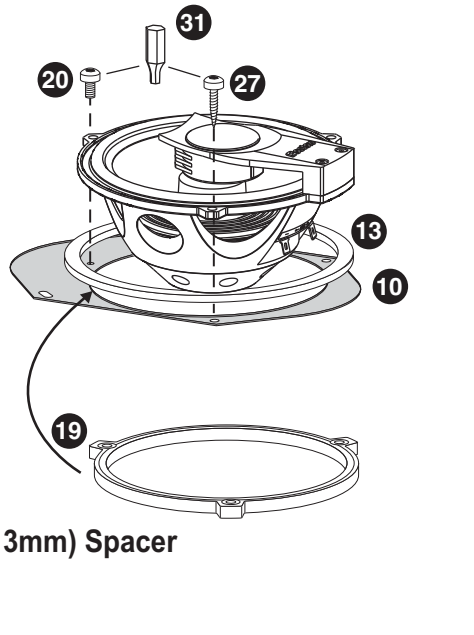
### 6-inch (160mm) Adapter



### 6 1/2-inch (165mm) Adapter



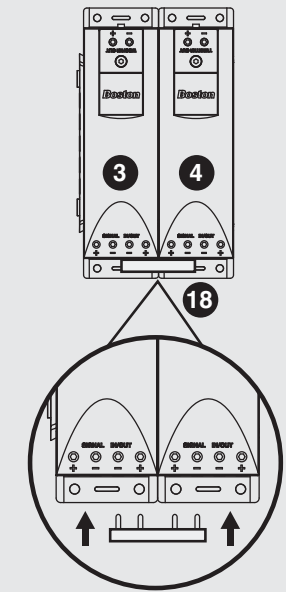
### 5 x 7-inch (127 x 177mm) Adapter



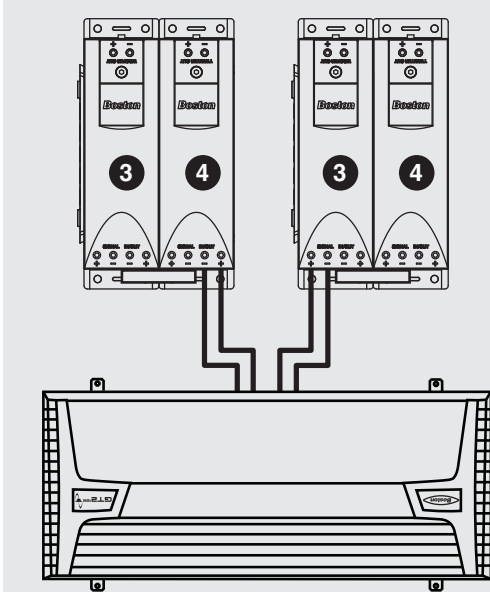
Optional 1/2-inch (13mm) Spacer

# Key on Back Page

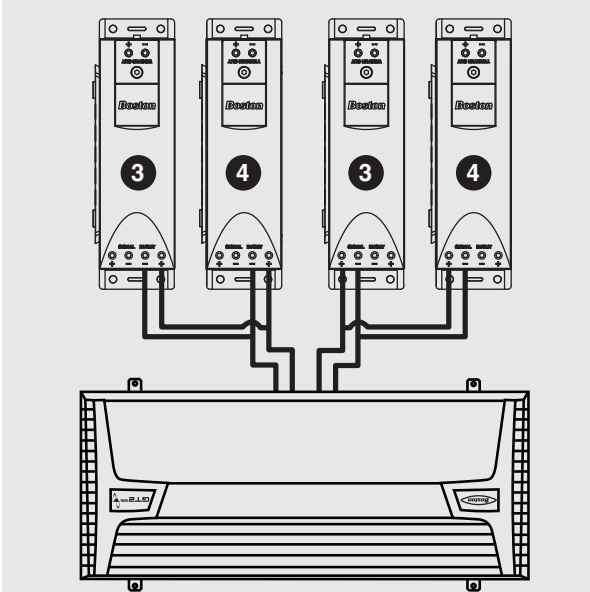
### Signal Bridge



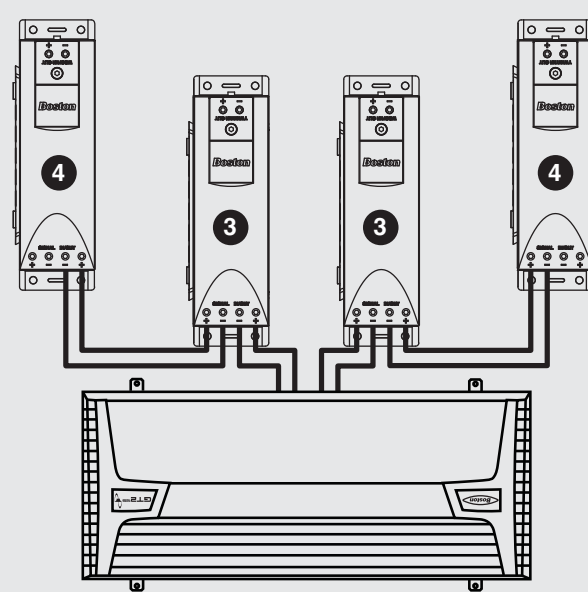
### Crossover - Single Input



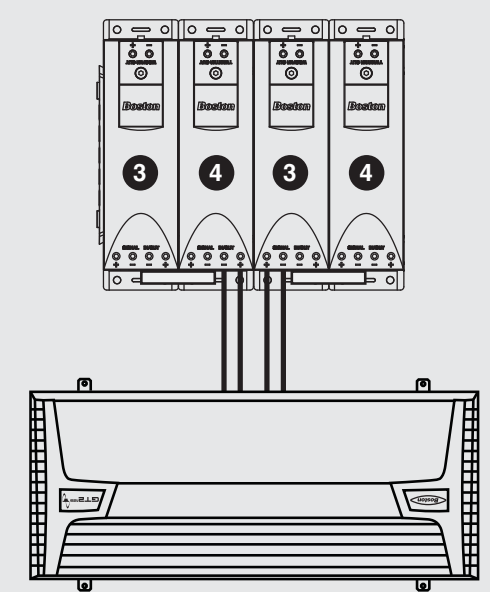
### Crossover - Bi-Wire / Bi-Amp



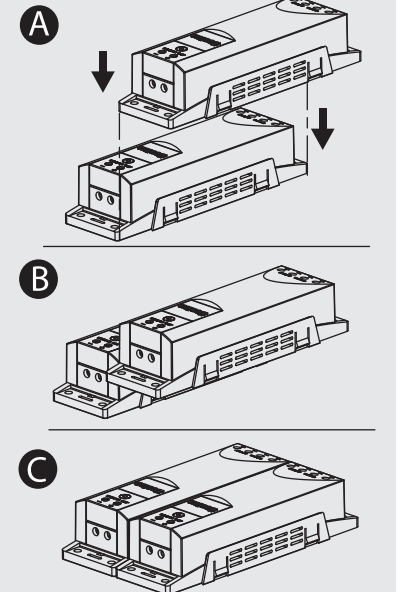
### Crossover - Daisy Chain



### Crossover - All Connected



### Crossover - Connection



## Free Manuals Download Website

<http://myh66.com>

<http://usermanuals.us>

<http://www.somanuals.com>

<http://www.4manuals.cc>

<http://www.manual-lib.com>

<http://www.404manual.com>

<http://www.luxmanual.com>

<http://aubethermostatmanual.com>

Golf course search by state

<http://golfingnear.com>

Email search by domain

<http://emailbydomain.com>

Auto manuals search

<http://auto.somanuals.com>

TV manuals search

<http://tv.somanuals.com>