

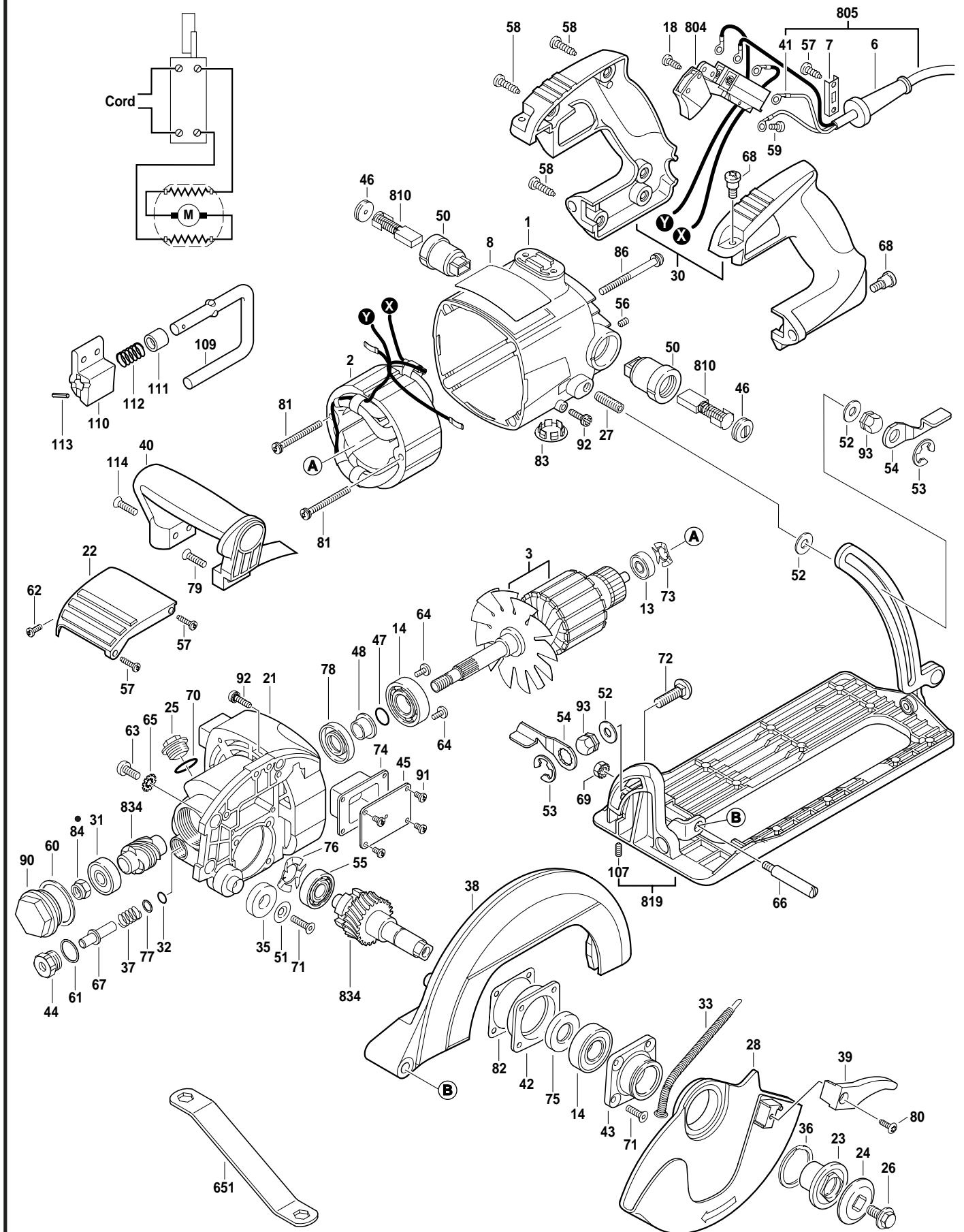
# BOSCH

July 2001  
INDUSTRIAL

## 7-1/4" CIRCULAR SAW

### Model 0601677039

# 1677M



# 1677M 7-1/4" CIRCULAR SAW

Pos.	Part Number	Description {Qty.}	F/C	Pos.	Part Number	Description {Qty.}	F/C
1	2 610 906 405	Motor Housing	71	59	2 610 320 173	Screw	89
2	2 610 907 821	Field 120V	22	60	2 610 023 331	Washer	65
3	2 610 329 931	Armature 120V	AW	61	2 610 025 067	Washer	65
6	2 610 005 970	Strain Relief	11	62	2 610 329 929	Screw	89
7	2 610 320 492	Cord Clamp	89	63	2 610 329 955	Screw {2}	89
8	2 610 911 457	Nameplate	9	64	2 610 341 365	Screw {3}	89
13	2 610 993 520	Ball Bearing	60	65	2 610 306 355	Lock Washer {2}	65
14	2 610 024 748	Ball Bearing {2}	61	66	2 610 319 932	Hinge Pin	66
18	2 610 901 971	Screw	89	67	2 610 325 655	Locking Pin	81
21	2 610 906 401	Gear Housing	33	68	2 610 353 799	Screw {4}	89
22	2 610 911 489	Cover	92	69	2 610 356 026	Lock Nut	89
23	2 610 352 118	Inner Flange	91	70	2 610 044 639	O-Ring	78
24	2 610 901 964	Outer Flange	91	71	2 610 027 002	Screw {5}	89
25	2 610 023 384	Oil Plug	9	72	2 610 911 837	Bolt	89
26	2 610 000 050	Blade Bolt	85	73	2 610 004 459	Spring Washer	27
27	2 610 315 286	Stud	89	74	2 610 023 335	Expansion Chamber	79
28	2 610 911 146	Lower Guard	92	75	2 610 025 245	Oil Seal	77
30	2 610 911 147	Handle	74	76	2 610 004 521	Spring Washer	65
31	2 610 017 875	Ball Bearing	60	77	2 610 017 016	Washer	65
32	2 610 015 726	O-Ring	78	78	2 610 329 927	Oil Seal	77
33	2 610 911 148	Spring	27	79	2 610 993 549	Screw {2}	89
35	2 610 319 494	Rubber Stop	9	80	2 610 328 924	Screw	89
36	2 610 341 359	Retaining Ring	89	81	2 610 329 950	Screw {2}	89
37	2 610 023 394	Spring	27	82	2 610 023 334	Gasket	79
38	2 610 911 149	Upper Guard	91	83	2 610 350 005	Plug	9
39	2 610 911 213	Lift Lever	64	• 84	2 610 318 324	Nut	89
40	2 610 911 490	Top Handle	74	86	2 610 329 953	Screw {4}	89
41	2 610 316 596	Terminal {3}	10	90	2 610 325 089	Bearing Cover	70
42	2 610 352 115	Retaining Plate	65	91	2 610 353 289	Screw {4}	89
43	2 610 352 091	Guard Plate	92	92	2 610 992 206	Screw {2}	89
44	2 610 023 324	Bushing	66	93	2 610 968 746	Nut {2}	89
45	2 610 023 336	Cover Plate	70	107	2 610 911 889	Set Screw	89
46	3 603 463 500	Brush Cap {2}	25	109	2 610 911 491	Hook	9
47	2 610 044 638	O-Ring	78	110	2 610 911 492	Bracket	9
48	2 610 023 330	Collar	77	111	2 610 341 288	Bushing	82
50	2 610 329 940	Brush Holder {2}	25	112	2 610 911 493	Spring	27
51	2 610 004 341	Washer	65	113	2 610 020 387	Roll Pin	66
52	2 610 912 616	Washer {3}	65	114	2 610 911 890	Screw {2}	89
53	2 610 968 747	Retaining Ring {2}	89	651	2 610 000 266	Wrench	9
54	2 610 968 745	Locking Lever {2}	64	804	2 610 321 608	Switch	15
55	2 610 000 166	Ball Bearing	56	805	2 610 914 296	Cord w/pos. 41	11
56	2 610 027 039	Set Screw {2}	89	810	2 610 912 980	Brush Set	26
57	2 610 315 299	Screw {4}	89	819	2 610 996 624	Foot Assembly w/pos.107	88
58	2 610 315 380	Screw {5}	89	834	2 610 357 524	Gear/Shaft Assembly	32

## Service Notes:

- Pos. 84: Torque nut to 100 in/lbs. then back off 1/4 turn.

## Free Manuals Download Website

<http://myh66.com>

<http://usermanuals.us>

<http://www.somanuals.com>

<http://www.4manuals.cc>

<http://www.manual-lib.com>

<http://www.404manual.com>

<http://www.luxmanual.com>

<http://aubethermostatmanual.com>

Golf course search by state

<http://golfingnear.com>

Email search by domain

<http://emailbydomain.com>

Auto manuals search

<http://auto.somanuals.com>

TV manuals search

<http://tv.somanuals.com>