

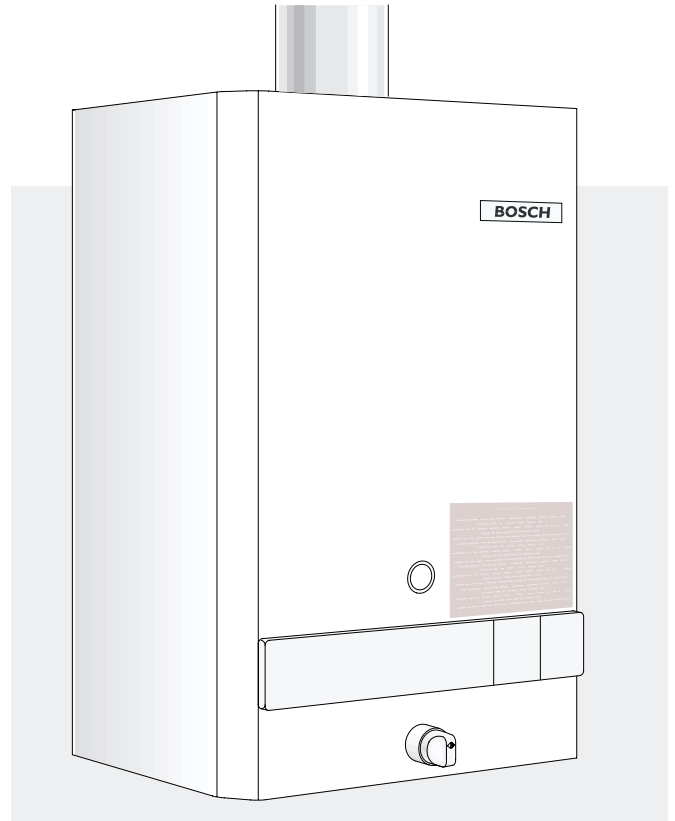
## Instantaneous gas water heater

### POWER VENTED - ELECTRONIC IGNITION

**Model**  
**WR430-3K**

- **installation**
- **operation**
- **maintenance**

The Bosch instantaneous water heater is a high efficiency, space saving answer to your water heating needs. All Bosch instantaneous water heaters heat water only as required; no energy is lost maintaining a large volume of water at elevated temperatures as in tank-type storage water heaters. Suitable for heating potable water only. Not approved for space heating purposes.



### READ INSTRUCTIONS CAREFULLY BEFORE INSTALLING

**NOTICE TO INSTALLER:** Please leave this manual with the owner or affix adjacent to appliance.

**WARNING:** If the information in this manual is not followed exactly, a fire or explosion may result causing property damage, personal injury or death.

- Do not store or use gasoline or other flammable vapors and liquids in the vicinity of this or any other appliance
- **WHAT TO DO IF YOU SMELL GAS**
  - Do not try to light any appliance.
  - Do not touch any electrical switch; do not use any phone in your building.
  - Immediately call your gas supplier from a neighbor's phone. Follow the gas supplier's instructions.
  - If you cannot reach your gas supplier, call the fire department.
- Installation and service must be performed by a qualified installer, service agency or the gas supplier.

#### **ASTRAVAN DISTRIBUTORS, LTD.**

123 Charles Street  
North Vancouver, B.C. V7H 1S1

Phone Canada: (604) 929-5488  
Phone USA: (206) 860-8448  
Web Site: [www.astravan.com](http://www.astravan.com)

**Note:** In case of problems please contact your salesman or installer

# BOSCH WR430-3K

## Principle of Operation:

When a hot water faucet is opened, the flow of water through the heater causes the gas valve to open. At the same time a microswitch is activated which sends a spark to the pilot. The flame sensor confirms that the pilot has been lighted and allows burners to ignite. The pilot goes out. The power exhaust system runs as long as the burners are on. The heat exchanger coils absorb the heat generated by the burners and transfer heat to the water. When the hot water faucet is shut off, the gas valve automatically closes and the burners turn off, followed immediately by the exhaust system. Your hot water faucet is an ignition key to turn on the water heater, giving you control over your hot water energy use. Every time you turn off your hot water faucet, the energy consumption for hot water returns to zero.

## FEATURES

- Power Venting with safety shutoff
- Electronic Pilot Ignition
- On/Off switch to activate system
- High Quality Materials for Long Working Life.
- Copper heating coils for endless supply of hot water.
- Burner output proportional to hot water flow demand for maximum energy efficiency.
- Safety flame sensor at pilot burner.
- Automatic over heating protection shut-off sensor.
- Stainless steel burners with stabilized blue flame.
- Built-in corrosion resistant power venter.
- Compact space saver: mounts on a wall with two hooks.
- Easily removable one-piece cover.
- Easy one person installation.
- Adjustable water flow restrictor ensure that water flow demand will not exceed the heating capacity of the heater.

		NAT. GAS	PROPANE
Gas Input	max.	130 000 Btu/hr	125 000 Btu/hr
	min.	28 000 Btu/hr	28 000 Btu/hr

Water Connection 1/2" Thread fitting

H x W x D 29 3/4" x 18 1/4" x 8 3/4"

Vent 4" (Category III Gas Appliance)

Max. lineal vent pipe length 15' (4.5m)

Gas Connection 1/2" NPT thread

Shower pressure 40 Psi

Min. Water Pressure 18 Psi (no fittings attached)

Max. Water Pressure 150 Psi

Shipping Weight 50.6 LB

Net Weight 44 LB

2.5 GPM at 90° rise (32°C) (9.5 l)

5.0 GPM at 45° rise(16°C) (19.5 l)

Min. Water Flow 1/2 gal/min

120V/60Hz 1.2 Amps

LP GAS Supply Pressure inlet min. 11"W.C.\*

LP GAS regulator outlet pressure 9.9"W.C.\*

Natural Gas Pressure inlet min.: 7"W.C.\*

Natural Gas Regulator Pressure 5.38 W.C.\*\*

\* Inlet gas pressure must not exceed this value

\*\* For purposes of input adjustment

ELECTRICAL 3 ft. ( 0.9 m) power cable supplied c/w CSA 3 prong plug.

## UNPACKING THE BOSCH WR430-3K HEATER

This heater is packed securely. The box includes two water connection fittings, a control knob, a gas pressure regulator, a pressure relief valve, an incandescent particle tray, two hooks for hanging the heater, this manual. **Do not lose this manual as there is a charge for replacement.**

# DIMENSIONS

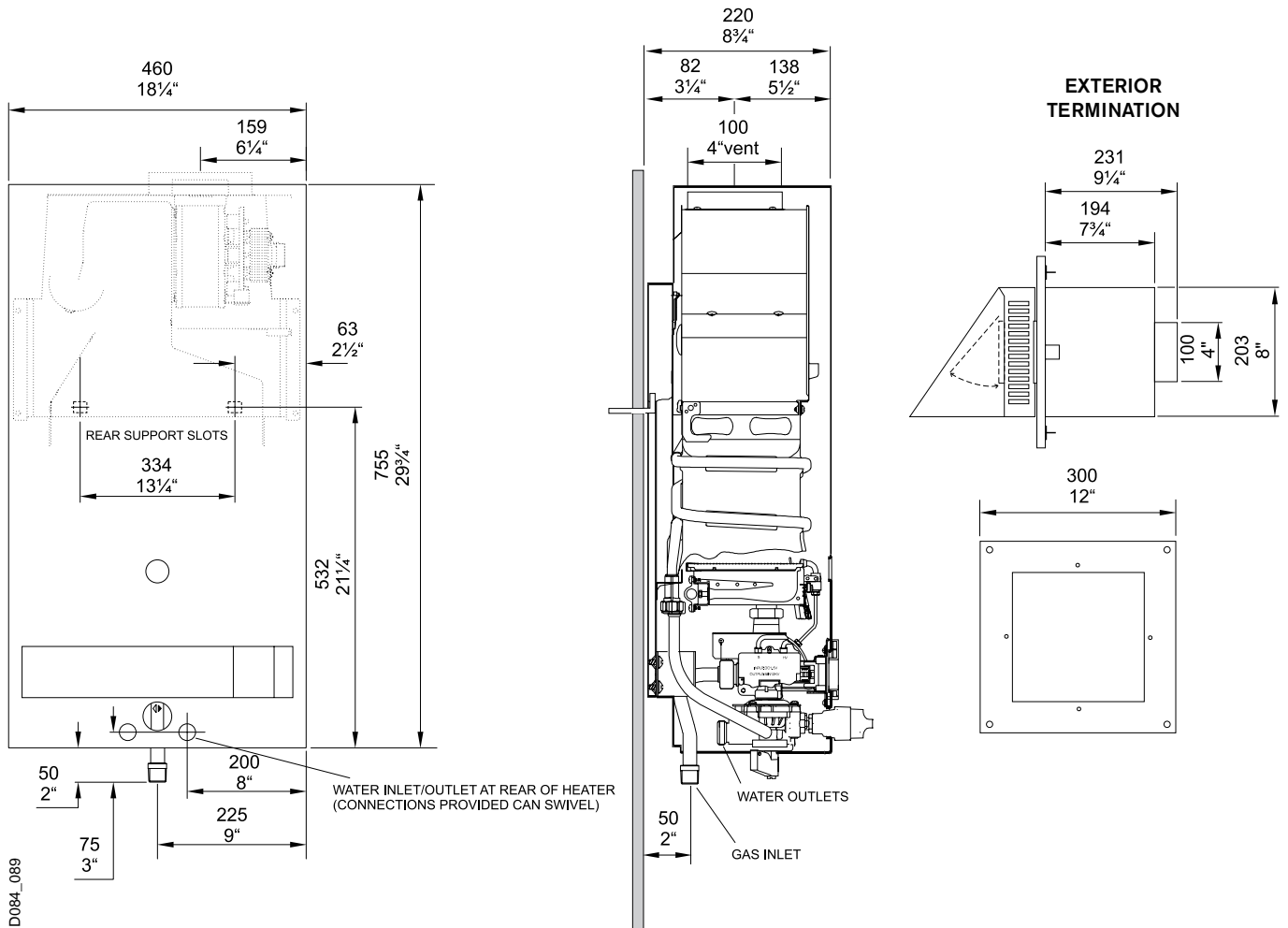


Figure 1

- Maximum Hydrostatic water pressure - 1.03 MPa (150 p.s.i.)
- Maximum recommended working pressure - 0.69 MPa (100 p.s.i.)
- Minimum working pressure - 0.09 MPa (13 p.s.i.) no piping attached
- Recommened pressure for showers and domestic, 0.27 MPa (40 p.s.i.)

Model	Type of Gas	Altitude	Input	Main Burner Orifices	
				Size, mm	Qt.
WR430-3.K..	natural gas	0 - 2 000 ft	130 000 Btu/hr (38 kW)	1.20 diam.	18
		2 - 4 500 ft	116 000 Btu/hr (34 kW)	0.79 diam.	18
	propane	0 - 2 000 ft	125 000 Btu/hr (36 kW)	1.20 diam.	18
		2 - 4 500 ft	112 000 Btu/hr (33 kW)	0.79 diam.	18

- The high altitude ratings listed are Canadian Gas Association high altitude ratings and are valid only in Canada. In the U.S., the National Fuel Gas Code, ANSI Z223.1-1988, recommends for high altitude installations above 2,000 feet, that the input rate be reduced 4% for each 1,000 feet above sea level. - See page 14.

# FORWARD

---

The design of the WR430-3K complies with CAN 1-4.3 and ANSI Z21.10 (latest edition) as an instantaneous gas water heater. In addition, the WR400-3K also complies with CAN 1-2.17 for use at high altitudes, 2,000 - 4,500 ft. above sea level.

Installation, operation and maintenance instructions are provided in this manual. Installation and operation instructions should be thoroughly reviewed before proceeding with installation of the BOSCH instantaneous gas water heater.

The BOSCH instantaneous gas water heater is designed to operate on natural or propane gas: however, **make sure** that gas on which heater is to operate is the same as specified on the heater's model/rating plate.

In addition to these instructions, the water heater shall be installed in accordance with CAN/CGA-B149 Installation Code (in Canada) or Z223.1-latest edition, National Fuel Gas Code (in U.S.A.) and/or local installation codes. These shall be carefully followed in all cases.

## INSTALLATION INSTRUCTIONS

---

The Bosch WR430-3K is a high efficiency fin tube heater and should not be installed and operated during construction or building renovations if location is exposed to above normal dust levels. This can cause dust build up in the finned heat exchanger and result in damage to heater and be a hazard to health.

Note: Proper plumbing, venting, gas connections and an adequate supply of combustion air are required for safe and reliable operation. Ability equivalent to that of a licensed tradesman in the field involved is required for installation and/or service of these water heaters.

### LOCATION

Before installing the BOSCH instantaneous gas water heater, consideration must be given to proper location. The location should be as close to outside vent termination as practicable, in an area with an adequate air supply and as centralized with the piping system as possible. The heater should **not** be located in an area where it will be subject to freezing. The heater should be located in an area where leakage of the heater or its connections will not result in damage to the area adjacent to the heater or to lower floors of the structure. **See venting page 5.**

Note: When such locations cannot be avoided, it is recommended that a suitable drain pan, adequately drained, be installed under the water heater. The pan must not restrict combustion air flow.

### ELECTRICAL

A grounded switched plug receptacle must be provided immediately below the left hand corner of heater to accept and provide power to supplied 3 ft. (0.9m) appliance cable and plug.

### AIR REQUIREMENTS

For safe operation, sufficient air for combustion, ventilation and dilution of flue gases must be available. An insufficient supply of air will result in a yellow luminous burner flame, causing carboning or sooting of the heat exchanger.

In order to prevent corrosion, make sure that the combustion air is kept free of aggressive substances. Substances that especially contribute to corrosion are halogenated hydrocarbons (e.g., chlorine and fluorine) which are contained in solvents, paint, adhesives, propellant gases, various household cleaners, etc. Take precautionary measures as necessary.

In unconfined spaces, in buildings of normal construction, infiltration normally is adequate to provide air for combustion, ventilation and dilution of flue gases. However, a confined space must be provided with two permanent openings to provide combustion and ventilation air to the appliance. Each opening shall have a free area of one square inch per 1,000 Btu/Hr\* of total input rating of all the appliances in the enclosure. One opening shall be within 12 inches of the top and one within 12 inches of the bottom of the enclosure.

#### \* Special Note

When the WR430-3K is installed in a confined space of minimum size the openings described above must be increased in to a size of 1-1/2 square inches per 1,000 BTU/Hr. In other words, when installed in a minimum sized confined space the two openings that are to be made in the enclosure within 12 inches of the top and 12 inches of the bottom must each have a minimum free area of, (1-1 1/2" - 2" x 130) = 195 square inches.

For either a confined or unconfined space in a building of tight construction with inadequate infiltration, air must be drawn from the outdoors or from spaces that freely communicate with the outdoors. Two permanent openings located as indicated are to be provided as follows:

1. **When communicating with outdoors directly or by means of vertical ducts**, each opening shall have a free area of not less than one square inch per 4,000 BTU/Hr. of total input of all appliances in the space.
2. **When communicating with outdoors by means of horizontal ducts**, each opening shall have a free area of not less than one square inch per 2,000 BTU/Hr. of total input of all appliances in the space.

For detailed requirements see:

- in Canada, CAN/CGA-B149 Installation Codes
- in U.S.A., ANSI Z223.1-latest edition, National Fuel Gas Code.

### WARNING!

1. Flammable materials, gasoline, pressurized containers, or any other items or articles that are potentially fire hazards must never be placed on or adjacent to the heater. The appliance area must be kept free of all combustible materials, gasoline and other flammable vapors and liquids.
2. Do not obstruct the flow of combustion and ventilation air to the appliance.

### CLEARANCE

The WR430-3K is design certified for installation on a combustible wall and for installation in an alcove or closet with minimum clearances to combustible construction of 0 mm from back, 102 mm (4 inches) from sides, 305 mm (12 inches) from top and bottom, and 102 mm (4 inches) from front. A minimum of 305 mm (12 inches) shall be allowed for maintenance of serviceable parts. Clearance from vent is dependent upon the clearance rating of the venting material used; see venting page 6.

### MOUNTING

The WR430-3K is design certified for mounting to a wall. The heater must not be installed on a carpeted wall. The heater must be mounted to the wall using appropriate anchoring materials.

Note: If wall is a stud wall sheathed with plasterboard it is recommended that support board(s), either 1 x 4's or 1/2" (minimum) plywood first be attached across a pair of studs and then the heaters should be attached to the support boards. See Figure 2.

Figure 2

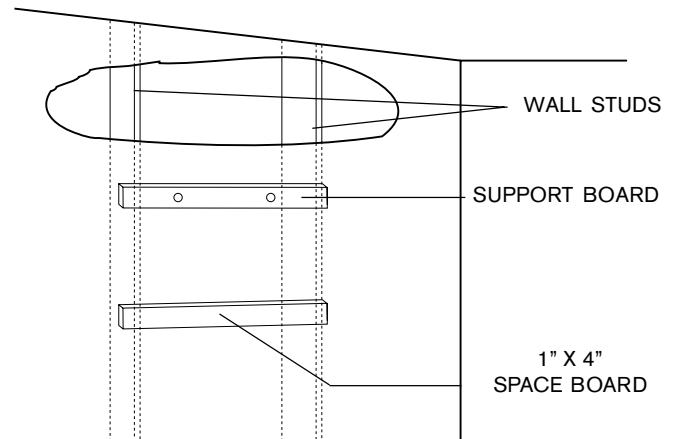


Fig. 2 - Mounting the Heater

Expansion and contraction of piping due to changing water temperature in the pipes imparts movement to the heater which, if mounted directly to a brittle, friable board, such as plasterboard, can cause failure of mounting.

THIS APPLIANCE MUST BE INSTALLED IN ACCORDANCE WITH THE NATIONAL FUEL GAS CODE ANSI Z223.1-latest edition in U.S.A. or CAN/CGA-B149 INSTALLATION CODES IN CANADA. LOCAL CODES AND/OR THE REQUIREMENTS OF THE AUTHORITY HAVING JURISDICTION MUST BE FOLLOWED.

# Bosch POWER VENTING SYSTEM

## INTRODUCTION

**Bosch** power venting models are designed to overcome difficult venting problems which cannot be performed with atmospheric venting: to meet your hot water demand load very efficiently, with an environmentally friendly appliance which conserves energy and significantly reduces combustion emissions to atmosphere.

## GENERAL INFORMATION

This Power Vent System must be installed by a **\*qualified installer** in accordance with all applicable local gas and electrical codes and in the absence of:

- With the current CAN1/CGA B149 installation code for gas burning appliances and the Canadian Electrical code C22.1-M90 part 1 **(for Canada)**.
- With the National Fuel Code and the ANSI Z223.1-LATEST and National Electrical Code ANSI/NFPA No 70-LATEST electrical code **(for USA)**.

The **Bosch** warranty will be voided by, and **Bosch** disclaims any responsibility for the following actions:

- Use of any unapproved venting component part not manufactured or approved by **Bosch** in combination with the **Bosch WR430-3K** unit.
- The **Bosch WR430-3K** must not be modified in any way when installing the Power Vent System. All systems must be installed as per **Bosch** Installation Guide.
- Installation other than instructed in this manual.

### CAUTION:

**Bosch Power Vent System must be installed by a qualified agency in accordance with these instructions. If improperly installed a hazardous condition such as an explosion or Carbon Monoxide poisoning could result. Bosch will not be responsible for any and all improperly installed appliances.**

**\*QUALIFIED INSTALLING AGENCY:** Any individual, firm, corporation or company which either in person or through a representative is engaged in and is responsible for the installation and operation of gas appliances and draft control devices, who is experienced in such work, familiar with all precautions required, and has complied with all the requirements of the authority having jurisdiction.

## GENERAL VENTING INFORMATION

### SIZING & DISTANCES:

Plan the vent system so that code clearances and manufacturer's distances are maintained from combustible materials, plumbing and wiring.

This unit may be directly connected to approved vent termination with a 90° elbow or located with a maximum lineal length of 15 ft. (4.6m) including two 90° elbows from termination. All vent pipe and fittings **must only** be 4" (10.2cm) in diameter.

# Bosch POWER VENTING SYSTEM

## GENERAL VENTING INFORMATION - continued

### APPROVED VENTING MATERIALS:

#### Single wall:

As gauge listed in the current CAN1/CGA B149 installation code for gas burning appliances (for Canada), National Fuel Code ANSI Z223.1-LATEST (for USA).

**Note: Cannot be used in concealed locations.**

#### B-Vent materials:

Straight lengths only (no elbow) may be used under following conditions

- (i) Unsealed 5" B-vent may be used as a chase for sealed 4" single wall through concealed or unheated areas.

#### Clearances to combustible materials for walls and partitions:

- 1" (25mm) for B-Vent.
- 3" (76mm) for single wall and uninsulated PVS-1 vent piping.

A wall thimble must be installed for internal wall applications.

All runs through unheated space or exposed to outside temperatures must be insulated to prevent condensation.

All portions of the vent system under positive pressure during operation (on the outlet side of the WR430-3K) shall be sealed with high temperature silicone and high temperature aluminum duct tape and installed so as to prevent leakage of flue or vent gases into building.

## GENERAL CODE REQUIREMENTS

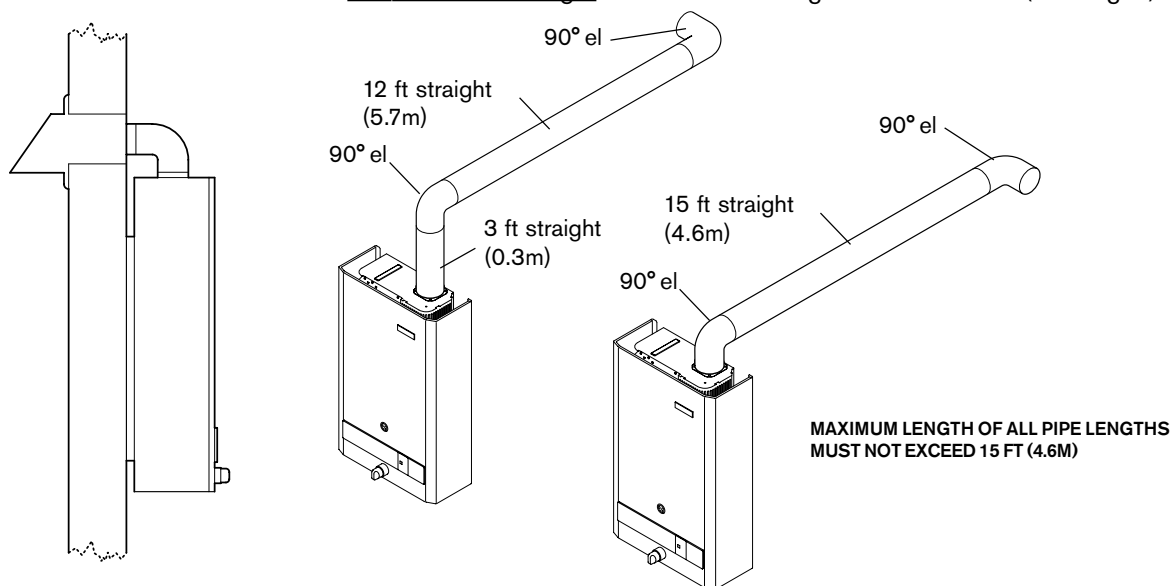
Before commencing an installation always consult with local gas and electrical codes and authorities, in the absence must be installed:

- With the current CAN1/CGA B149 installation code for gas burning appliances and the Canadian Electrical code C22.1-M90 part 1 **(for Canada)**.
- With the National Fuel Code and the ANSI Z223.1-LATEST and National Electrical Code ANSI/NFPA No 70-LATEST electrical code **(for USA)**.

# Bosch POWER VENTING SYSTEM

## VENT TERMINAL INSTALLATION:

Before installing Bosch WR430-3K determine the location of vent system termination which may be immediately connected with a 90° elbow or with a maximum lineal length of 15 feet including two 90° elbows. (See Fig. 1)



**Note: In cold climate areas negative air pressure such as unbalanced heating and ventilating systems can cause reverse air flows in gas vent and chimney systems. Under extreme cold conditions this can cause freezing and damage Bosch heat exchanger during prolonged period of times when they are not in use, such as night time hours. Vent termination with back draft flapper is supplied in order to minimize outside air infiltration and risk of freezing equipment.**

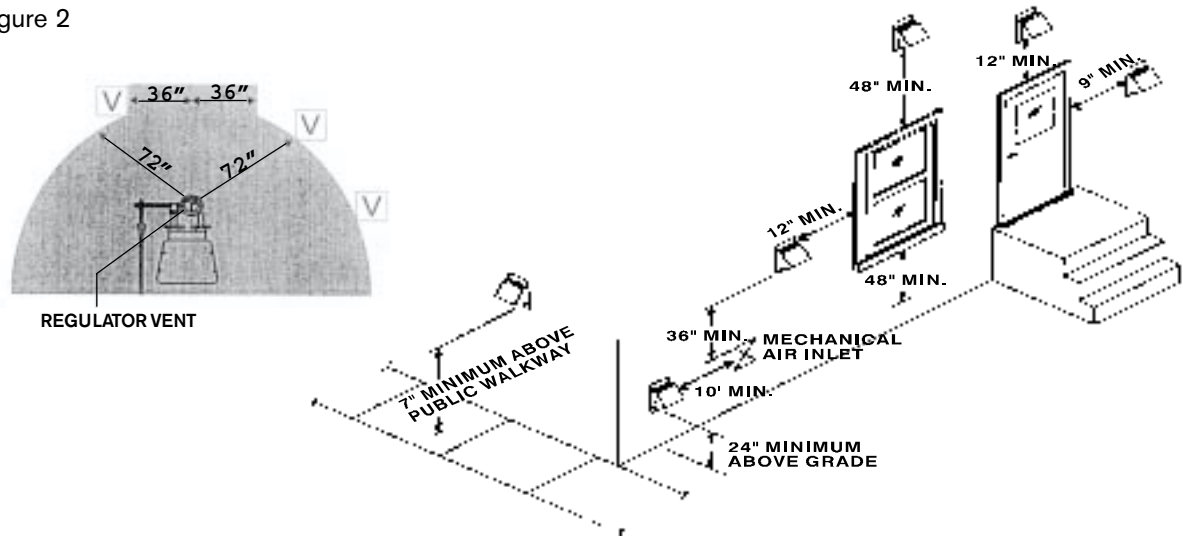
The approved terminal shall be so arranged for flue gases to be directed in a manner which will not jeopardize people, overheat combustible structures or enter into buildings, and that proper clearances are maintained (See Fig. 2 )

- a) The vent terminal of this Power Vent System shall not be less than 7 feet (213cm) above grade when located in areas accessible to public walkways.
- b) A vent terminal shall terminate at least 3 feet (91 cm) above and a minimum of 10 feet (305cm) horizontally from any (mechanical) air inlet.
- c) The vent terminal shall not be within 6 feet (183cm) radius from a gas meter or regulator, and horizontally it must be a minimum of 3 feet (91 cm) from the centre line of such regulator.
- d) The vent terminal shall be a minimum of 6 feet (182cm) from any combustion air inlet.
- e) The vent terminal shall terminate from an opening window, at least 4 feet (122cm) below or below the opening and 12 inches (30cm) horizontally. From a door 1 foot (30cm) above and 9 inches (23cm) horizontally.
- f) The vent terminal shall not be less than 3 feet (91 cm) from an adjacent building.
- g) The vent terminal shall not be less than 2 feet (61 cm) above grade.



# Bosch POWER VENTING SYSTEM

Figure 2



## ELECTRICAL WIRING:

1. The electrical contact ratings are as follows:
  - \_\_\_\_\_ 1/10 HP at 120 VAC
  - \_\_\_\_\_ 3 Amps (full load) at 120 VA
2. Provide switched plug receptacle to accommodate Bosch grounded plug.
3. Make certain the power source is adequate for the fan motor requirements.

## VENT INSTALLATION

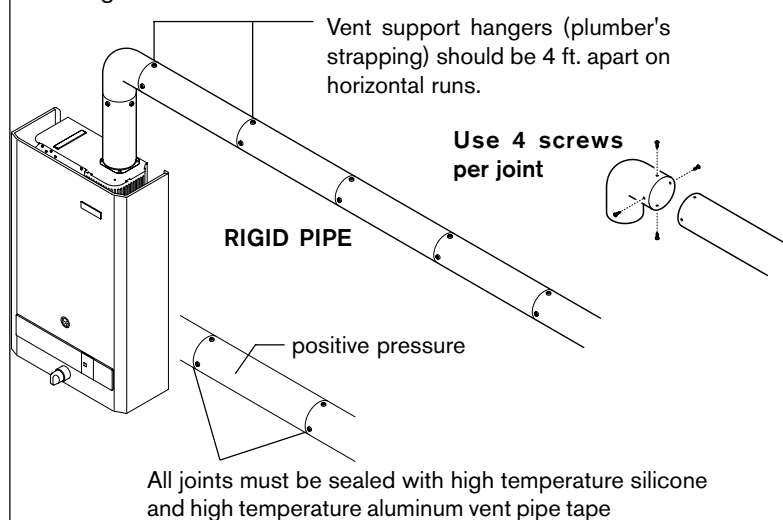
1. Choose approved terminal location
2. Cut vent terminal opening through outside wall - Refer to installation instructions supplied with termination.
3. Install vent terminal by fastening from outside with 4 screws and caulking around flange edge. Check that optional flapper moves freely if applicable.
4. Install 4" venting materials and secure all joints with a minimum of four screws for each joint. Please note that wherever possible use continual lengths of pipe to reduce the number of joints.
5. Seal all positive vent pipe and elbow joints between Bosch unit and vent terminal with high temperature silicone and/or hi temperature aluminum tape following manufacturer's instructions (i.e. always push silicone ahead of nozzle)

# Bosch POWER VENTING SYSTEM

## VENT INSTALLATION (continued)

- Support venting duct with plumber's strap (supplied by installer). Solid piping need only be supported every four feet. All horizontal pipe joints must be secured with a minimum of four screws per joint. (See Figure 3)
- All runs through unheated spaces must be wrapped and insulated with a minimum of 1" insulation.

Figure 3



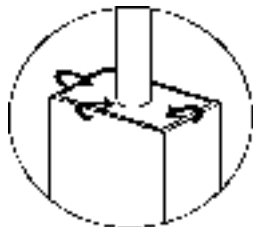
All clamped joints on the positive side of the power venter are to be sealed with high temperature silicone.

## OPERATION AND CHECKING THE DRAFT

A. Place **Bosch** appliance into operation. **Follow lighting pilot and operating instructions on Bosch cover.**

- Draw water continuously to activate appliance which will turn on gas burner.
- CHECKING THE DRAFT.** Operate the appliance with cover in place for a minimum of five minutes and check for proper venting, and assure that the combustion products are venting properly, by passing a lighted match flame or smoke taper over the top edge of the Bosch cover and towards draft hood. If the vent is drawing properly, the smoke or match flame will be drawn over the top edge of the Bosch cover and into the draft hood or opening. (see drawing below Checking The Draft)

### CHECKING THE DRAFT



**NOTE: If smoke is not drawn in then the combustion products are escaping from the relief opening into the room. Under these conditions, the equipment shall not be operated until proper adjustments or repairs are made to provide adequate draft.**

- Check draft spill safety switch by obstructing outside vent terminal and by drawing water. Spill switch should trip and shut off gas supply to Bosch unit. Remove outside obstruction.
- If spill switch trips allow 5 minutes to reset.

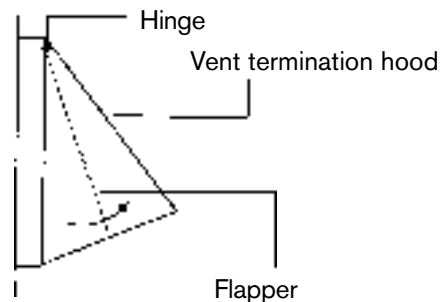
# Bosch POWER VENTING SYSTEM

- B. The Air-Flow Adjustment on the Power Venter is factory set for optimum air flow. Operating at its setting will assure that combustion gases are safely removed to the outside.

## MAINTENANCE

### Points of inspection are:

1. Motor - Motor must rotate freely.
2. Fan Wheel - Wheel must be clean of dust or any other coating which inhibits rotation or air flow. Remove all foreign material from vent system before operation.
3. Spill Switch - Verify proper spill switch operation by observing Operation Sequence and by temporarily blocking termination outlet.
4. Check Draft - Check for flue gas spillage following steps in the Operation And Checking Draft on page 9.
5. Vent Termination - Inspect to ensure installation and clearances have not been altered or obstructed and that the back draft flapper (when used) movement is free and operational. Note that terminal hood is removable for easy flapper maintenance or replacement.

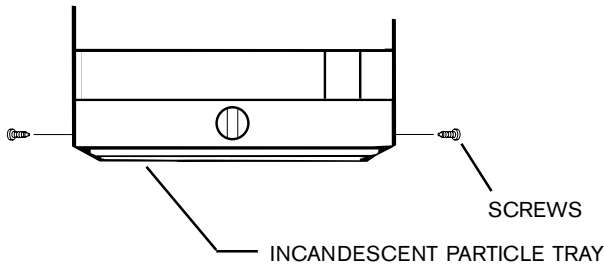


## DRIP TRAY

If the water heater is being mounted above a floor of combustible construction the drip tray (shipped loose in the carton with the water heater) must be attached to the bottom of the front cover of the water heater at the time of installation. The drip tray should be attached to the front cover, using screws provided, as shown in Figure 3.

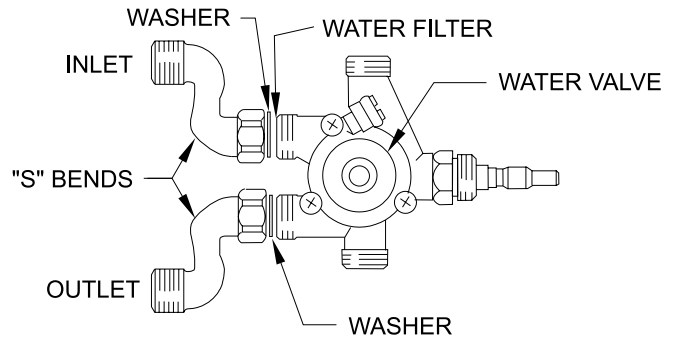
Failure to use drip tray when installing unit above a floor of combustible construction will cause an unsafe condition and possible fire and will be in violation of A.G.A. and C.G.A. certification of the unit.

**Figure 3.**



## WATER CONNECTIONS

The BOSCH instantaneous water heaters are provided with two S-bend water connectors/adaptors that must be connected to inlet and outlet connections on water valve assembly, see Figure 5, below.



**Water valve and S-bends, top view**

**Figure 5.**

The purpose of the S-bend water connectors/adaptors is to provide threaded water connections that meet standards used in North America, ANSI Standard Taper Pipe Thread (1/2" NPT). The cold water supply should be connected to S-bend attached to inlet of water valve and the hot water connection should be made to S-bend attached to the outlet of water valve.

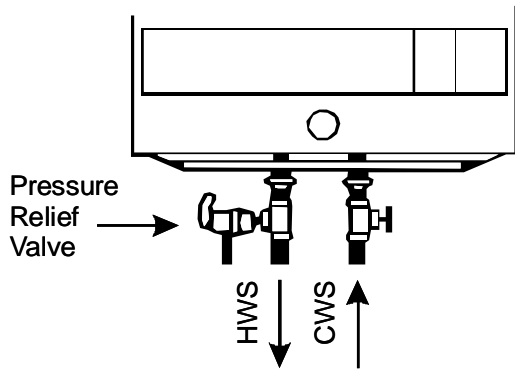
If plastic piping is to be used, a 1.5 meter (approx. 5 feet) length of metal piping must first be attached to both the cold water inlet and hot water outlet of the water heater.

**Note:** A shut-off valve should be placed in the cold water supply line to the heater to facilitate servicing the heater.

## RELIEF VALVE

The listed pressure relief valve supplied must be installed near the hot water outlet at time of installation of the heater. No valve is to be placed between the relief valve and the heater. A drain line must be connected to the relief valve to direct discharge to a safe location. Do not install reducing coupling or any other restriction in the discharge line. The discharge line must be installed so as to allow complete drainage of both the valve and the line. See figure 6.

Figure 6.



## GAS CONNECTIONS

Before connecting the gas supply to the heater, check heater's model/rating plate to make sure that the gas on which heater is to operate is the same as specified on the model/rating plate.

The WR400-3.K.. instantaneous water heaters are supplied with a gas pressure regulator that must be installed on the heater before attaching the gas supply line. See figure 7. Failure to install the gas pressure regulator as shown in figure 7 will be a violation of A.G.A. and C.G.A. certification of the unit.

BOSCH water heaters are shipped from the factory with the gas pressure regulators preset for the gas shown on the rating plate to the correct pressure:

- in Canada, for high altitude operation;
- in U.S.A., for standard altitude operation unless specifically marked as a high altitude unit.

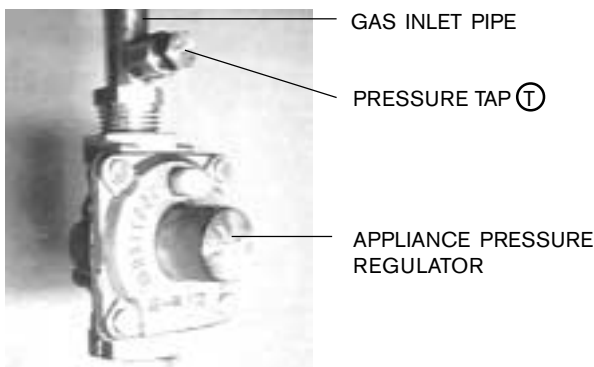


Figure 7. GAS MANIFOLD PRESSURE TEST POINT

(T) For measuring correct regulator operating pressure.

Check to make sure that the gas listed on the rating plate is same as gas listed on the pressure regulator. See PRESSURE REGULATION section of this manual for information regarding gas pressure settings.

Note: Before attaching the gas supply line, be sure that all gas pipe is clean on the inside. To trap any dirt or foreign material in the gas supply line, a drip leg must be incorporated in the piping. The drip leg must be readily accessible and not subject to freezing conditions. Install in accordance with the recommendations of serving gas supplier.

Joint compounds (pipe dope) shall be applied sparingly and only to the male threads of pipe joints. Do not apply compound to the first two threads. The joint compound must be resistant to the action of liquified petroleum gases.

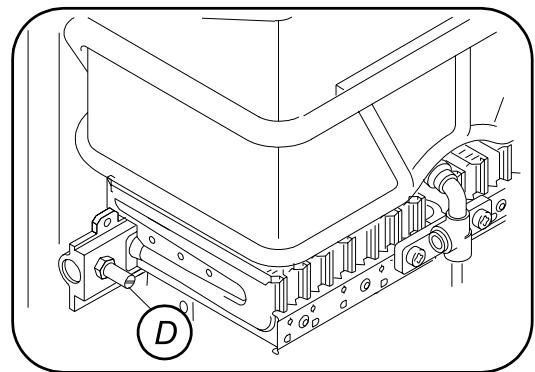
Before placing water heater in operation, check for gas leakage. Soap and water solution, or other material acceptable for this purpose shall be used in locating gas leaks. Matches, candles, lighters, or other ignition sources shall not be used for this purpose.

## WARNING

The heater and its individual shutoff valves must be disconnected from the gas supply piping system during any pressure testing of that system at test pressures in excess of 3.45 kPa (1/2 psig).

The water heater, including the pressure regulator provided with it, must not be operated at gas supply pressures in excess of 3.45 kPa (1/2 psig). If overpressure has occurred such as through improper testing of the gas lines or emergency malfunction of the supply system, the gas valve and regulator must be checked for safe operation. Make sure that the outside vent valves are protected against blockage. These are part of the gas supply system, not the water heater. Vent blockage may occur during ice storms.

**Figure 7(a)** Gas Burner test point **D** for measuring burner manifold pressure at full flow and input:  
 Standard Altitude: 4.58"W.C. Nat Gas, 9.11"W.C. Propane.  
 High Altitude: 3.73"W.C. Nat Gas, 7.27"W.C. Propane.



# OPERATING INSTRUCTIONS

## WARNING!

If the water heater has been damaged or exposed to fire or sooting, or if any part has been underwater, do not use. If unit has been operated during construction or alterations and exposed to above normal dust levels the heat exchanger should be examined and cleaned regularly. Operation with dust obstructed fins could be a health hazard. Immediately call a qualified service technician to inspect the appliance and to replace any part of the control system and any gas control which has been underwater and to clean the heat exchanger assembly and water valve.

## FILLING

Before proceeding with operation of the water heater make sure that the system is filled with water:

- Make sure drain is closed. See figure 8, below.
- Open a nearby hot water faucet to permit the water to fill the heater and piping.
- Close the hot water faucet after the water flows freely and all air has escaped from the system.

The water heater is now ready to be lit.

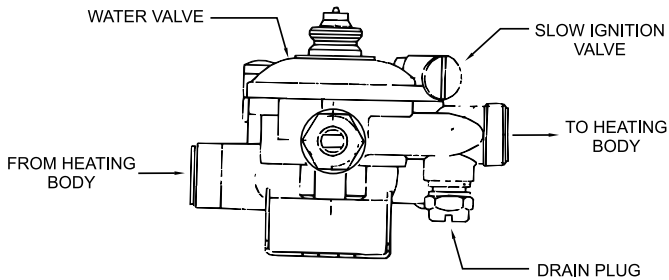


Figure 8

## SERVICE HINT

The screen (strainer) in the water valve, located in the inlet of the water valve, may require occasional cleaning due to foreign material in the water supply. This will restrict the flow of water and may affect heater operation and prolong filling time. To inspect the strainer, close the cold water supply valve ahead of the heater, disconnect the S-bend from the inlet of the water valve and remove strainer from inlet. Clean if required, replace strainer in inlet to the water valve, reconnect S-bend and turn on water supply.

Light the water heater in accordance with the instructions on the Lighting and Operating Plate on the water heater. For your convenience, the instructions are repeated here:

## LIGHTING AND OPERATING INSTRUCTIONS

1. STOP! Read the safety information above on this label.
2. The gas valve must be shut off by putting the ON/OFF switch to position "o" Wait five (5) minutes to clear out any gas. If you smell gas, STOP! Follow "B" in the safety information above. If you do not smell gas, go to the next step.
3. This water heater is equipped with a safety pilot burner and an automatic ignition control system.
4. Set the ON/OFF switch (flip down cover plate on frontal panel strip) marked I/O to the I position. In this position, the water heater is ready to use. (See Fig. 10).
5. Turn the hot water faucet on the minimum flow rate required to activate the heater. The automatic ignition system first ignites the safety pilot burner which then ignites the main burner in about 4 seconds.
6. The pilot flame will extinguish 10-30 seconds after the burners come on. The burners will remain on until the hot water tap is turned off.
7. Vent fan turns on and off with burner.

**NOTE:** On a first time initial installation, existence of air in the gas supply line and in the water line may cause some ignition delay. In that case, repeatedly open and close the hot water tap in order to restart the ignition process until all the air has been purged.

## TO TURN OFF GAS TO APPLIANCE

Turn off the manual lever on the gas supply line to the heater and set the ON/OFF switch to the OFF (O) position.

To operate the heater, set the ON/OFF switch to position I. The switch is located behind the flip down cover plate on the front panel strip.

To shut down the heater, set the ON/OFF switch to position O.

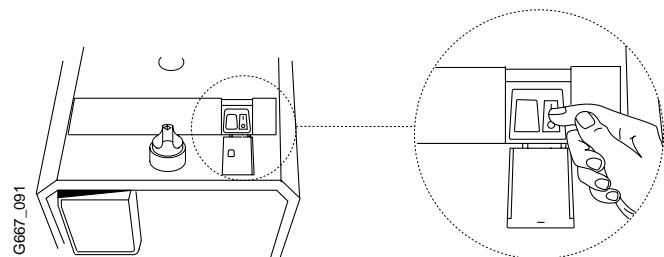


Figure 10

## PRESSURE REGULATION

The pressure regulator supplied with the water heater is adjusted to operate on the gas specified on the rating plate and as shown below:

- in Canada, is factory preset to deliver gas at the high altitude setting listed on the rating plate and as shown below.
- in the U.S.A., is factory preset to deliver gas at the standard altitude setting listed on the rating plate and as shown below.

The pressure setting of the gas pressure regulator should be checked at installation to assure that the setting is correct for the gas being used and the altitude at which the appliance is installed. See rating plate on the unit, Table 1, below, for proper setting.

In Canada, for a heater being installed at standard altitude (0-2,000 ft above sea level) the manifold pressure should be reset at installation to the value shown on the rating plate, or Table 1, below, for standard altitude.

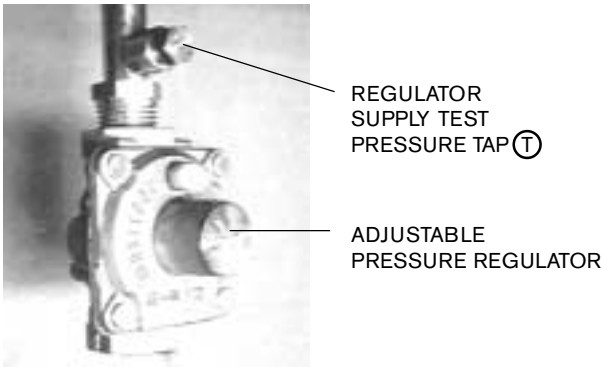


Figure 11

The gas pressures specified below refer to flow pressure taken at the pressure tap in the gas inlet pipe just above the pressure regulator, (see figure 11) while the heater is operating at full input.

Gas pressures read at burner test point **D** (see fig. 7(a) page 12).

**Table 1.**  
**Appliance Regulator Pressure Setting**

Model	Type of Gas	Regulator Pressure Supply		Altitude
		kPa	Inches, W.C.	
WR430-3K	natural	1.41	5.38	standard
	propane	2.61	9.9	(0-2,000 ft.)
	natural	1.14	4.4	high*
	propane	2.09	7.9	(2,000-4,500 ft.)

\*Note: The high altitude ratings listed are Canadian Gas Association high altitude ratings for the appliances and are only valid in Canada. In the U.S.A. the National Fuel Gas Code, ANSI 1-1988, recommends for high altitude installations, above 2,000 feet, that the input rate be reduced 4% for each 1,000 feet above sea level.

Your appliance dealer and/or your local gas supplier should be consulted in regard to any high altitude installation. If field adjustment is required it should be performed by a qualified serviceman experienced in such work.

## TEMPERATURE REGULATION

The BOSCH WR430-3K is equipped with a modulating gas valve which adjusts the flow of gas to the main burner in proportion to the water flow rate. Within its heating capacity the WR430-3K attempts to maintain the set temperature rise across the heater. This temperature rise can be set in range of 25C° - to - 50C° (45F° - to - 90F°), by means of the water flow selector. See Figure 12. When the water flow selector is turned to the right hand stop the water heater is set for 50C° (90F°) temperature rise; when the water flow selector is set to the left hand stop it is set for 25C° (45F°) temperature rise.

### Temperature Adjustment Knob

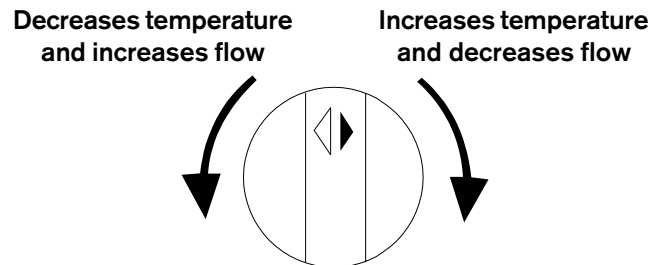


Figure 12 - Principles of Operation

With the water flow selector turned to its right hand stop position (50C° rise setting) and with an inlet water temperature of 10°C (50F°) the outlet water temperature will be maintained at approximately 60°C (140F°) in the water flow rate range of approximately 2 litres/min. (0.5 U.S. gals./min.) to 9.5 litres/min. (2.5 U.S. gals./min.).

The minimum flow rate for operation, the "Threshold Flow Rate" referred to in the lighting instructions is 2 litres/min (0.5 U.S. gals./min.). If the water flow rate is below this level the main burner will not fire. If the flow rate exceeds 9.5 litres/min (2.5 U.S. gals./min.) the temperature rise across the heater will decrease in proportion to the rate above this temperature.

## HIGH TEMPERATURE LIMIT SWITCH

The BOSCH series instantaneous gas water heaters are equipped with a high temperature limit switch with a set point of approximately 90°C (195°F). If the water temperature at the sensing points exceeds the set point the switch will open, interrupting the safety circuit and stopping gas flow to the pilot and main burner.

Outage as the result of high limit operation indicates that the heater is not functioning properly. The heater should be checked by a qualified serviceman and the reason for the malfunction is corrected.

## MAINTENANCE AND SERVICE

Approximately once a year, the Bosch should be checked, cleaned and serviced as necessary. To remove the front cover, first remove the incandescent particle tray, then pull off the temperature adjustment knob and unscrew and remove the plastic collar. Pull main cover out toward you and lift up and out. THE FOLLOWING OPERATIONS SHOULD BE PERFORMED BY A QUALIFIED SERVICE PERSON:

**Vent System:** Should be checked annually. Clean and repair as needed. See Preventative Maintenance Page 10.

**Water Valve:** The water valve on this heater should be serviced periodically. The frequency will depend on the mineral content of the water and conditions of use or whenever signs of corrosion appear at the gas and water valve joint. Check that the water inlet filter (#36 on Figure 19, page 20) is clean. Diaphragm should be replaced every 7-8 yrs. in residential applications and 3-5 yrs for commercial applications. In acid water areas the venturi should also be replaced at the same time (#39 on Figure 19, page 20).

**Pilot Flame:** The pilot flame should burn with a clean, sharp, blue flame and should resemble the diagram in Fig. 13. If the flame is soft and yellow the pilot screen may be dirty or the pilot burner orifice may need to be cleaned or replaced. The pilot flame should be approximately 2 inches long, extending past the flame sensor. If the flame is too small, it will not reach the flame sensor and the burners will not come on.

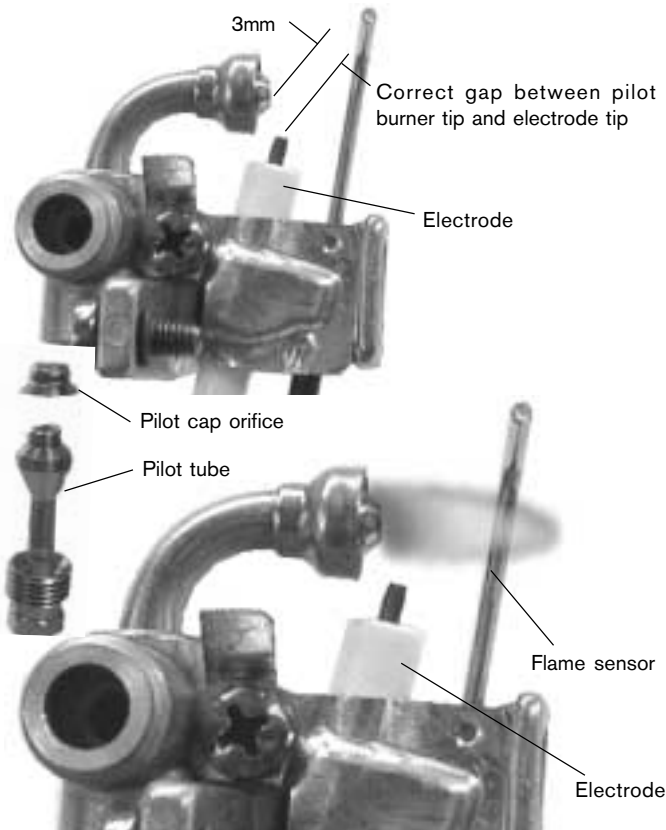


Fig. 13 - Characteristic Pilot Flame

**To clean the pilot burner and/or the pilot orifice:** Turn off the gas to the unit. Set the On/Off switch to Off ( position 0). Remove the cover of the heater. To do so, pull off the temperature adjustment knob and unscrew and remove the plastic collar. Pull main cover out toward you and lift up and out. The pilot orifice should be cleaned or replaced.

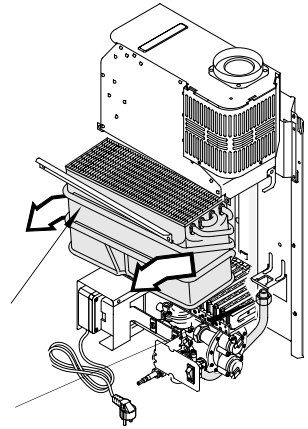
## Do not enlarge the orifice.

Do not use any wire or sharp object to clean orifices. Natural gas orifices are large enough that you can usually clean them by blowing through them. To access the pilot orifice, remove 2 screws holding pilot assembly in place. Then loosen compression fittings to expose pilot orifice.

**Heat Exchanger** should be visually examined once a year or more often in dusty areas. If fins at top show dust or debris accumulation, remove and clean with brush and soapy water.

### Removal of the Heat Exchanger

1. Shut off the gas and water cold supply lines to the heater and remove the front cover.
2. Remove the drain screw from the bottom of the water regulator and open the hot water tap to allow the unit to drain.
3. Remove cover and unscrew metal retaining bar at the top front of the heat exchanger
4. Undo water connection nuts at heat exchanger from both sides



5. Tilt the heating body to the front at the top and lift away from the heater.

Estimated service time is 10 minutes to re & re, plus cleaning time

**Main Burner Flames:** The main burner flames should be blue, with a more intense blue cone in the center core. Yellow flames could be a sign of plugged or dirty burners, or a blockage on the heat exchangers fins. If some burners have yellow flames while others have good flames, it is likely that dust, lint or spider webs have partially clogged the burner venturis. To clean the burners, contact a gas service person.

**Mineral Scale Build-up:** In hard water areas the Bosch, when operated at lower temperature settings, tend not to accumulate mineral buildup. If however, the heater is used at the higher temperature settings and the water has a high mineral content, periodic descaling may be necessary. The heating coil should be removed and flushed with a descaling solution. Signs of scaling are rising outlet temperature and knocking noises when water is flowing.

## TROUBLE SHOOTING

### Introduction

*The Bosch WR430-3K burners are activated by a water flow valve. Numerous water related problems can cause this water valve to malfunction such as: Insufficient water flow volume to activate the burners at its minimum flow requirement; Dirt in the water flow valve causing it to malfunction; Sediment build-up in faucet aerators, or shower heads; Uneven pressures between cold and hot, (with single lever faucets) Plumbing cross overs. These water flow related problems can cause the heater to deliver less than its full output, or to fail to ignite or to shut down completely.*

Problems are stated in upper case, bold face. Most common causes for the problems follow in order of likelihood. The suggested solutions require that the cover be taken off. To do this, remove incandescent particle tray, pull off the temperature adjustment knob and unscrew and remove the plastic collar. Pull main cover out toward you and lift up and out.



## NO SPARK AT THE PILOT

### 1. ON/Off switch is not "On" (Position I).

The On/Off switch is located behind the flipdown cover plate on the front panel strip. See fig. 10.

### 2. Water flow is not sufficient to activate heater.

Water flow rate at faucet is below minimum flow needed to activate heater. When temperature adjustment knob is turned all the way clockwise, the Bosch WR430-3K requires 1/2 gallon per minute flow to activate the heater. As a reference, this is a flow which would fill a quart jar in 30 seconds. If the temperature adjustment knob is turned fully counterclockwise, a flow rate of 1.1 gallons/minute is required to activate the heater.

### 3. Water inlet filter is clogged

Water flow is restricted, preventing needed flow to activate heater. Clean water inlet filter screen.

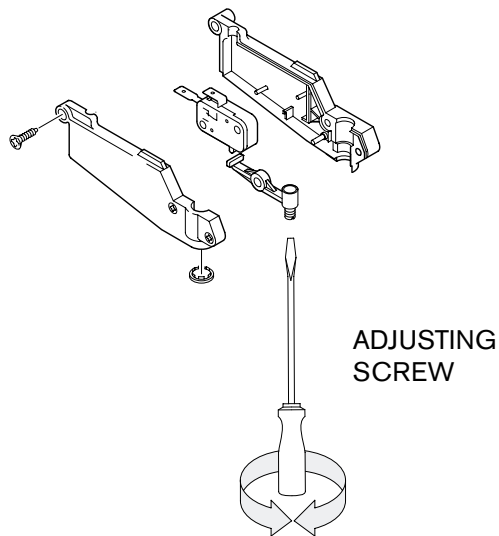
### 4. Cross over in water lines

To confirm there is no cross-over in the plumbing, shut off the cold water supply to the Bosch water heater and open a hot water faucet. There should not be any water flowing at that faucet. Water running is a sign of a plumbing cross over. Consult your plumber.

### 5. Microswitch needs to be adjusted or replaced.

If you do not hear a click when a tap is opened, the microswitch needs to be adjusted. See Fig 15 for adjustment. Replace the microswitch if the adjustment does not solve the problem.

**Fig. 15 - Microswitch Adjustment**



Pilot does not spark with water flow	Pilot is always sparking without water flow
1 Close water tap	1 Close water tap
2 Remove screw cap and unscrew adjusting screw til sparking starts	2 Screw in adjusting screw, till it stops sparking
3 Screw in turning one and half turns more	3 Continue to screw in turning one and a half turns more
4 Replace screw cap	

### 7. Cold incoming water connection made to wrong side of heater

Make sure cold water inlet connection is on the right side of heater when you are facing heater.

### 8. Water valve parts may be dirty of components damaged

First check that venturi is free of dirt particles. Water valve and component parts must be totally free of dirt. In hard water areas, mineral deposits can eventually (3-5 years in hard water areas) corrode the water valve parts to a point where they will need replacing. Any sign of moisture at the top of the water valve is a sign that the water valve needs to be serviced immediately.

### 9. Loose connection at the ECO

Ignition sparker will not operate if the electrical circuit is interrupted. Check that the connections to the ECO are secure and tighten if necessary.

## SPARKS APPEAR AT PILOT WHEN HOT WATER TAP TURNED ON, BUT PILOT AND BURNERS WILL NOT IGNITE

### 1. Air in the Gas Line

Normally this is a problem at time of initial installation, after the pipes have been worked on, or after a gas supply line has been allowed to empty. Bleed the air trapped in the gas line by turning the hot water faucet on and off until the air has been cleared from the line.

### 2. No gas to the Bosch

A. Gas cock on gas line may not be open  
 B. Gas regulator may be shut or damaged. Replace or unjam the regulator. **Note:** The regulator furnished with the heater is exclusively designed for low gas pressure. Excessive pressure will lock it up. Jamming usually happens when using propane gas if the gas pressure between the gas tank and the water heater's gas regulator has not been reduced. See Page 14 for recommended correct gas pressure. To unjam a regulator, consult your gas supplier.

### 3. Pilot orifice or gas valve is dirty

Clogging of the pilot burner can be caused by dust in the air or dirt in the gas. The pilot orifice or gas filter may need to be cleaned or replaced.

### 4. Water valve assembly needs to be checked

If the pilot orifice is clean, the water valve assembly should be checked. The adjustment screw on the water valve micro-switch may not be tight enough (Fig. 15). Remove central cap beneath micro-switch assembly, carefully loosen the adjustment screw until the pilot light ignites. At that point retighten the screw one and a half turns.

### 5. Pilot electrovalve switch may need to be replaced (See Fig 17).

Call your service person or call: Canada 1-800-663-8405, U.S.A. 1.800-824-7337.

### 6. Electronic Control Box may need to be replaced, (See Fig 17).

Call your service person or call: Canada 1-800-663-8405, U.S.A. 1.800-824-7337.

## PILOT SPARKS CONTINUOUSLY WITH NO WATER RUNNING

### 1. Microswitch needs adjustment

If no water is running, but pilot electrode continuously sparks, the microswitch screw to the water valve needs adjustment. See Figure 16.

## PILOT LIGHTS BUT BURNERS WILL NOT COME ON

1. Confirm water valve assembly is working properly.
2. Confirm the flame sensor is in its proper position.
3. Confirm the burner electrovalve switch is functioning properly. Contact your service person or call: Canada 1-800-663-8405, U.S.A. 1.800-824-7337.
4. The electrical Control Box (Fig. 16) may need to be replaced. Contact your service person or call: Canada 1-800-663-8405, U.S.A. 1.800-824-7337.

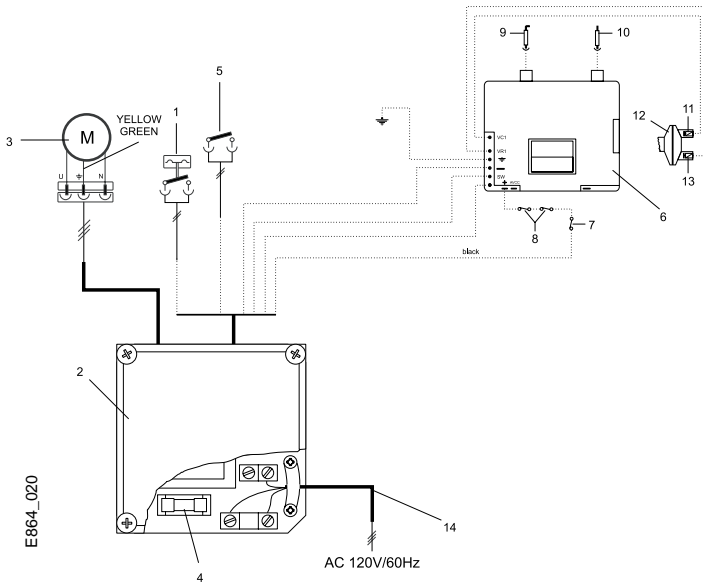


Fig. 16 - Electrical wiring diagram

## MAIN BURNERS GO OUT DURING HOT WATER USE

1. **Flow rate diminished below activation rate:** 0.5 USGM (2.5 l) in hot position, 1.0 USGM (5 l) in warm position
2. **Unbalanced pressure in the water lines**  
The added restriction caused by the Bosch in the hot water system can result in uneven pressures between the cold and the hot. In such cases when mixing cold water at the tap, the lower hot water pressure may be overpowered by a much higher cold water pressure, which may cause the Bosch burners to shut down. Make sure faucet aerators and showerheads are free of minerals and dirt. Do not add any flow restrictor to the shower head.
3. **Check gas supply**
4. **ECO (overheat sensor) tripped due to overheating**
5. **Minimum inlet pressure on well is inadequate**  
Check the inlet water pressure. On a private well, raise the minimum pressure setting to 40 psi for best performance. Confirm that the pressure tank is not water logged.
6. **Check Blower Fan.** Is it operating when burner comes on?
7. Check flapper in outside vent termination for free movement.

## WATER IS TOO HOT

1. **Check for lime build-up.** (See mineral scale p. 15)
2. **Temperature Selection too high**  
Turn the temperature adjustment knob counter-clockwise (to the left) to lower the maximum water temperature.  
**Note: This will increase the activation flow rate.**
3. **Inlet water temperature is too hot** (as with preheated water.)
4. **Insufficient water pressure**

## WATER IS NOT HOT ENOUGH

1. **Temperature selection too low.**  
Change the setting. Turn the temperature adjustment knob clockwise (to the right).  
**Note: This will decrease the activation flow rate.**
2. **Water flow through the heater is higher than the capacity of the Bosch to heat it.**  
This can be due to too high water inlet pressure (60 psi max. for best results) or due to acid water erosion of venturi. Check venturi (Part #39, Fig. 19 page 20).
3. **Btu input is too low due to insufficient gas pressure.**  
*It is extremely important for a tankless instantaneous water heater to have the right size gas line to obtain the correct gas pressure.*  
See specifications on page 14, table 1. Unlike storage tank water heaters, the burners of a tankless water heater must be very powerful to heat water instantaneously since they do this only at the time hot water is actually being used. It is therefore imperative that the gas pressure requirement be met exactly. Insufficient gas pressure will directly affect the water temperature at the time of usage. See page 14 for correct gas pressure settings and fig. 11 for locations where gas pressures are taken.
4. **Btu input is too low due to insufficient gas supply.**  
Make sure your main gas line is fully opened. If using LP gas, be sure that the size of the propane tank is adequate to supply the required gas pressure.
5. **Cold water is mixing with the hot water between the Bosch and the outlet.**  
Compare water temperature at outlet of the Bosch (hold the Bosch's outlet pipe with your hand) and at the tap. If these two are very different, check for mixing valve or plumbing crossover (see "NO SPARK AT THE PILOT" paragraph #4). Where automatic "anti-scald" valves are required by code, lower the temperature setting on the Bosch as much as possible and balance the pressure between cold and hot water after the Bosch.

**6. Parts in water flow valve are corroded so that the gas passage is not fully opening.**

Contact your service person or call:  
Canada 1-800-663-8405, U.S.A. 1-800-824-7337.

**HOT WATER TEMPERATURE FLUCTUATES**

**1. Unbalanced pressure in waterlines.**

The added restriction caused by the Bosch in the hot water system can result in uneven pressures between the cold and the hot. In such cases when mixing cold water at the tap, the lower hot water pressure may be overpowered by a much higher cold water pressure, which may cause the Bosch burners to shut down. Make sure faucet aerators or shower heads are free of minerals. **Do not add any flow restrictor to the shower head.**

**2. Cold water is mixing with the hot water between the Bosch and the outlet.**

See 4 under "NO SPARK AT THE PILOT".

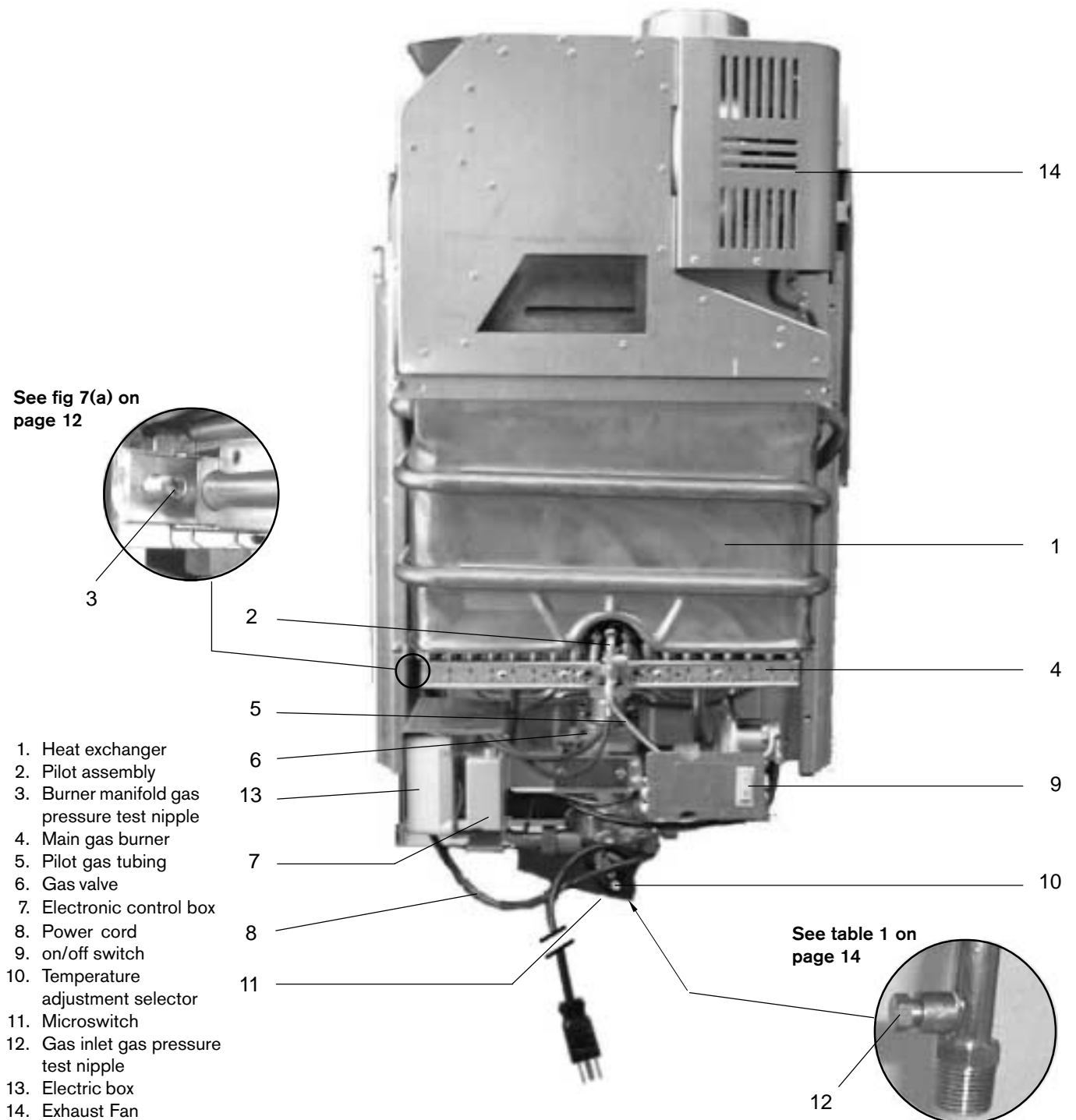
**3. Inlet water pressure is erratic due to inadequate supply water pressure or saturated pressure tank on well system.**

Check the inlet water pressure. On a private well, raise minimum pressure setting to 40 psi. Confirm that the pressure tank is not water logged.

**4. Gas pressure is too low.**

See page 14 for correct specifications.

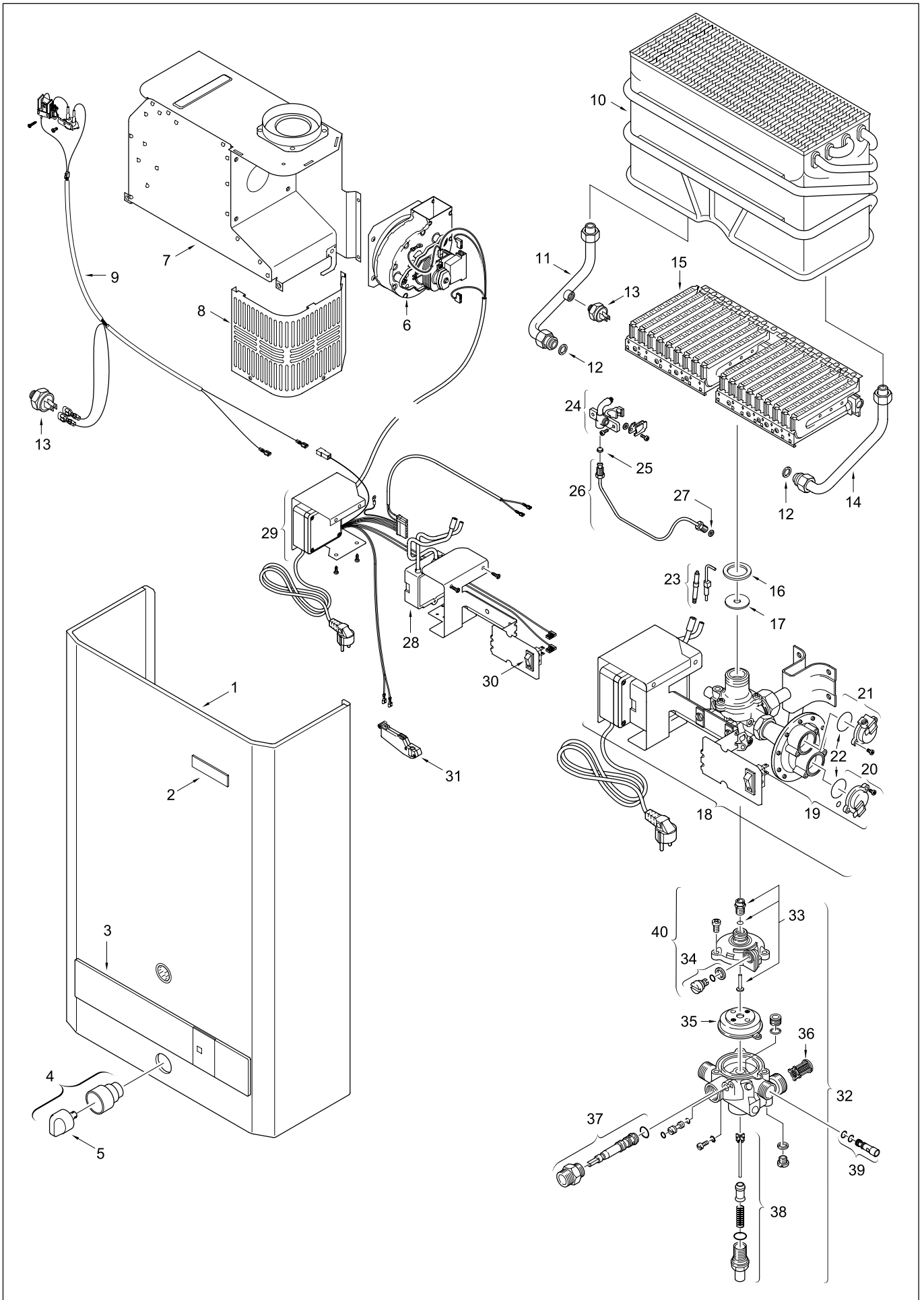
**Fig. 17 - Diagram of WR430-3K**



**Fig. 18**  
**INTERIOR COMPONENTS DIAGRAM**  
**AND PARTS LIST WR430**

1	Front Cover	8 705 421 255
2	Bosch Decal	8 701 103 050
3	Plastic lower snap-on	8 705 506 451
4	Temperature adjustment knob complete	8 702 000 219
5	Temperature adjustment knob	8 702 000 111
6	Exhaust fan assembly	8 707 204 023
7	Draft diverter	8 705 505 451
8	Fan protection	8 701 302 164
9	Flue gas safety device	8 707 206 185
10	Heat Exchanger	8 705 406 235
11	Hot water pipe	8 700 705 556
12	Washer	8 710 103 045
13	Overheat sensor (ECO)	8 707 206 040
14	Cold water pipe	8 700 705 294
15	Main burner assembly	8 708 120 298 NG 8 708 120 296 LP
16	Washer for burner assembly	8 710 103 060
17	Throttle disc	8 700 100 189 LP only
18	Gas Valve	8 707 011 811 NG 8 707 011 812 LP
19	Diaphragm switch	8 708 504 021 NG 8 708 504 049 LP
20	Main solenoid valve	8 708 501 250
21	Pilot solenoid valve	8 708 501 249
22	O-ring	8 700 205 120
23	Electrode ignition group	8 718 107 067
24	Pilot burner assembly	8 708 105 337 NG 8 708 105 491 LP
25	Pilot orifice	8 708 200 069 NG 8 708 200 312 LP
26	Pilot gas tube	8 700 707 349
27	Washer	8 700 103 173
28	Electronic control box	8 707 207 011
29	Electric control box	8 707 101 021
30	On/Off switch	8 707 200 014
31	Microswitch	8 707 200 007
32	Water valve	8 707 002 534
33	Water valve repair kit	8 703 406 178
34	Slow ignition valve	8 708 503 063
35	Diaphragm	8 700 503 053
36	Water inlet filter	8 700 507 045
37	Selector screw	8 708 500 251
38	Volumetric water governor	8 707 402 015
39	Venturi	8 708 205 249
40	Cover complete	8 705 500 076

Fig. 19 - INTERIOR COMPONENTS DIAGRAM AND PARTS LIST







**ASTRAVAN DISTRIBUTORS, LTD.**

123 Charles Street  
North Vancouver, B.C. V7H 1S1

Phone Canada: (604) 929-5488  
Phone USA: (206) 860-8448  
Web Site: [www.astravan.com](http://www.astravan.com)



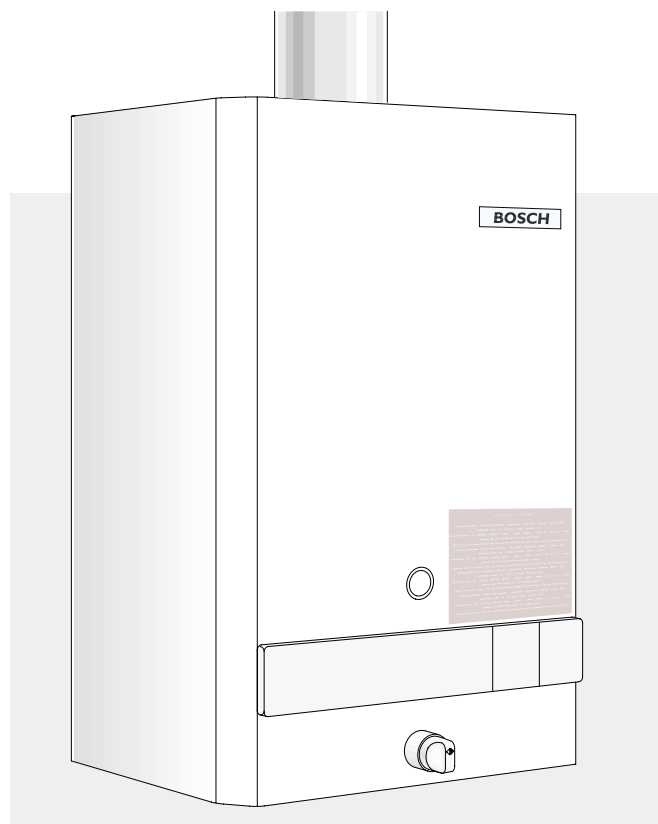
## Chauffe-eau instantané, à gaz

VENTILATEUR D'EXTRACTION - ALLUMAGE ÉLECTRONIQUE

### Modèle WR430-3K

- installation
- utilisation
- entretien

Le chauffe-eau instantané Bosch est un appareil très efficace et peu encombrant destiné au chauffage de l'eau. Un chauffe-eau instantané Bosch ne chauffe de l'eau que sur demande; et il n'y a aucune perte d'énergie imputable au maintien d'un volume d'eau important à une température élevée comme dans le cas d'un chauffe-eau à accumulation.



### LIRE ATTENTIVEMENT LES INSTRUCTIONS AVANT L'INSTALLATION

**AVIS À L'INSTALLATEUR :** Remettre ce manuel au propriétaire, ou laisser le manuel près du chauffe-eau.

**AVERTISSEMENT :** Si les instructions de ce manuel ne sont pas scrupuleusement observées, il pourra exister un risque d'incendie ou d'explosion susceptible de provoquer des dommages matériels et/ou des blessures graves ou mortelles.

- Ne pas remiser ou utiliser de l'essence ou un autre produit inflammable liquide ou gazeux au voisinage de cet appareil ou de tout autre appareil ménager
- **QUE FAIRE SI UNE ODEUR DE GAZ EST PERCEPTIBLE?**
  - Ne mettre en marche aucun appareil.
  - Ne toucher aucun commutateur électrique; ne pas utiliser un téléphone dans le bâtiment.
  - Contacter immédiatement le fournisseur de gaz à partir du téléphone d'un voisin. Exécuter les instructions communiquées par le fournisseur de gaz.
  - S'il n'est pas possible de joindre le fournisseur de gaz, contacter les pompiers.
- Tout travail d'installation ou d'entretien doit être exécuté par un technicien qualifié ou un membre du personnel d'une agence d'entretien ou du fournisseur de gaz.

### ASTRAVAN DISTRIBUTORS, LTD.

123 Charles Street  
North Vancouver, B.C. V7H 1S1

Téléphone (Canada) : (604) 929-5488  
Téléphone (USA) : (206) 860-8448  
Site Internet : [www.astravan.com](http://www.astravan.com)

**Note :** En cas de problème, contacter le fournisseur ou l'installateur du produit

# BOSCH WR430-3K

## Principe de fonctionnement :

Lors de l'ouverture d'un robinet, la circulation de l'eau à travers le chauffe-eau provoque l'ouverture de la vanne d'arrivée de gaz; simultanément la manœuvre d'un micro-contacteur provoque la génération d'étincelles pour l'allumage de la flamme de veille. Un détecteur de flamme détermine que la flamme de veille est allumée et permet ensuite l'allumage du brûleur. Ensuite la flamme de veille s'éteint. Le ventilateur d'extraction fonctionne aussi longtemps que le brûleur est allumé. Le serpentin de l'échangeur de chaleur absorbe la chaleur générée par le brûleur et la transfère à l'eau. Lors de la fermeture du robinet de puisage, la vanne d'arrivée de gaz se ferme automatiquement et le brûleur s'éteint; le ventilateur d'extraction s'arrête immédiatement après. Le robinet de puisage d'eau tient lieu d'organe de commande de l'allumage du brûleur du chauffe-eau; on contrôle ainsi totalement la consommation d'eau chaude et d'énergie. Dès qu'on referme le robinet de puisage d'eau chaude, ceci met fin à la consommation d'énergie du chauffe-eau.

## CARACTÉRISTIQUES

- Ventilateur d'extraction, avec circuit d'arrêt de sécurité
- Allumage électronique, avec flamme de veille
- Fonctionnement commandé par un commutateur marche/arrêt
- Matériaux de haute qualité - grande longévité.
- Échangeur de chaleur à serpentin de cuivre - source d'eau chaude durable.
- Débit thermique du brûleur proportionnel au débit d'eau - efficacité énergétique maximale.
- Brûleur de veille avec détecteur de flamme - sécurité.
- Protection contre un chauffage excessif par circuit de détection/arrêt automatique.
- Brûleur d'acier inoxydable; flamme bleue stabilisée.
- Ventilateur d'extraction incorporé, résistant à la corrosion.
- Appareil peu encombrant : installation sur un mur avec deux crochets.
- Capot monopièce à dépose facile.
- Installation facile par une personne seule.
- Dispositif réglable de restriction du débit d'eau - la demande n'excédera pas la capacité thermique du chauffe-eau.

	GAZ NAT	PROPANE
Débit thermique max.	130 000 Btu/h	125 000 Btu/h
Débit thermique min.	28 000 Btu/h	28 000 Btu/h

Raccordement eau : raccord fileté 1/2 po

H x L x P 29 3/4 po x 18 1/4 po x 8 3/4 po

Bouche de décharge de 4 po (appareil à gaz catégorie III)

Longueur effective max. du conduit de décharge 15 pi (4,5 m)

Raccordement gaz : raccord fileté 1/2 po NPT

Pression pour douche : 40 lb/po<sup>2</sup>

Pression d'eau mini : 18 lb/po<sup>2</sup> (aucun accessoire installé)

Pression d'eau maxi : 150 lb/po<sup>2</sup>

Poids pour expédition : 50,6 lb

Poids net : 44 lb

Débit pour augmentation de température de 90 °F (32 °C) : 9,5 L / 2,5 GPM

Débit pour augmentation de température de 45 °F (16 °C) : 19,5 L / 5,0 GPM

Débit d'eau minimum : 1/2 gal/min

120 V/60 Hz , 1,2 A

Propane - pression mini à l'entrée 11 po (col. d'eau)\*

Propane - pression sortie détendeur 9,9 po (col. d'eau)\*

Gaz naturel - pression mini à l'entrée 7 po (col. d'eau)\*

Gaz naturel - pression sortie détendeur 5,38 po (col. d'eau)\*\*

\* La pression d'arrivée de gaz ne doit pas dépasser cette valeur

\*\* Pour réglage de la pression à l'entrée

Câble d'alimentation électrique fourni - 3 pi (0,9 m), avec fiche CSA à 3 broches.

## DÉBALLAGE DU CHAUFFE-EAU BOSCH WR430-3K

Ce chauffe-eau a été soigneusement emballé. On trouve dans l'emballage deux raccords de connexion (eau), un bouton de commande, un détendeur, une soupape de surpression, un plateau de récupération des particules incandescentes, deux crochets de suspension, et le présent manuel. **Veiller à ne pas égarer ce manuel; un éventuel remplacement sera facturé.**

# DIMENSIONS

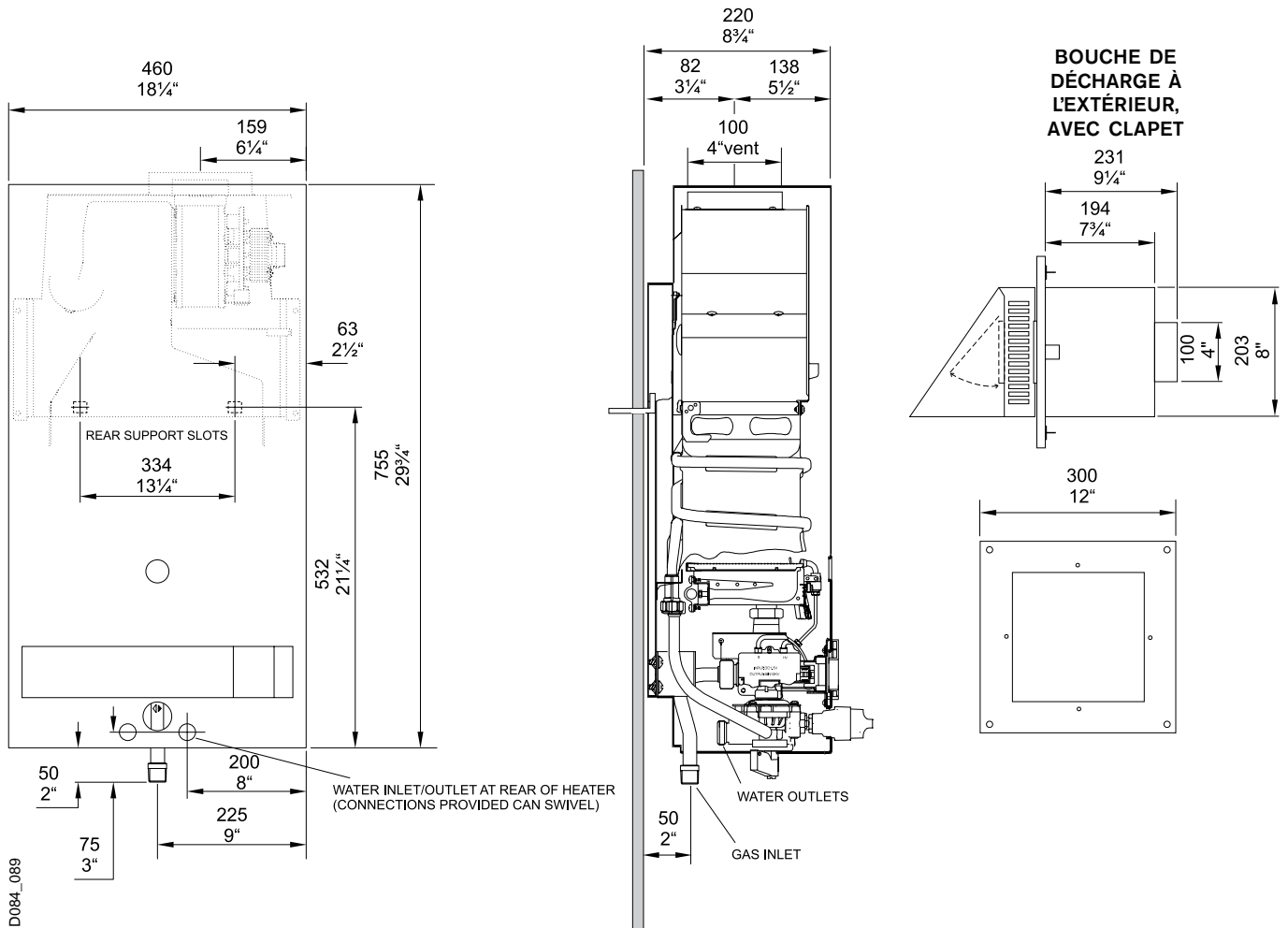


Figure 1

Pression d'eau maximum - 1,03 MPa (150 lb/po<sup>2</sup>)  
 Pression de service maximum - 0,69 MPa (100 lb/po<sup>2</sup>)  
 Pression de service minimum - 0,09 MPa (13 lb/po<sup>2</sup>) sans tuyauterie installée  
 Pression recommandée pour applications usuelles et douche - 0,27 MPa (40 lb/po<sup>2</sup>)

Modèle	Type of Gaz	Altitude	Débit thermique	Gicleur principal	
				Dia., mm	Qt.
WR430-3.K..	gaz naturel	0 - 2 000 pi	130 000 Btu/hr (38 kW)	1.20	18
		2 - 4 500 pi	116 000 Btu/hr (34 kW)	0.79	18
	propane	0 - 2 000 pi	125 000 Btu/hr (36 kW)	1.20	18
		2 - 4 500 pi	112 000 Btu/hr (33 kW)	0.79	18

- Les valeurs de débit thermique indiquées pour une altitude élevée correspondent aux critères de l'Association canadienne du gaz; elles ne sont valides qu'au Canada. Aux É.-U. la norme ANSI Z223.1-1988 (National Fuel Gas Code) recommande une réduction des valeurs de débit thermique de 4 % pour chaque palier de 1000 pieds au-delà de 2000 pieds au-dessus du niveau de la mer. Voir page 14.

# INTRODUCTION

---

La conception du chauffe-eau WR430-3K en permet la classification comme "chauffe-eau instantané à gaz" selon les critères des normes CAN 1-4.3 et ANSI Z21.10 (édition la plus récente). De plus le chauffe-eau WR400-3K satisfait également les critères de la norme CAN 1-2,17 pour l'utilisation à une altitude de 2000 - 4500 pi au-dessus du niveau de la mer.

Ce manuel contient les instructions d'installation, utilisation et entretien de l'appareil. Étudier attentivement les instructions d'utilisation avant d'entreprendre l'installation de ce chauffe-eau instantané BOSCH.

Le chauffe-eau instantané BOSCH est conçu pour être alimenté au gaz naturel ou au propane; cependant on **doit** vérifier que le type de gaz disponible est celui qui est spécifié sur la plaque signalétique de l'appareil.

En plus des présentes instructions, l'installation du chauffe-eau doit satisfaire les critères de l'édition la plus récente du code d'installation CAN/CGA-B149 (au Canada) ou de la norme Z223.1 (National Fuel Gas Code - aux É.-U.) et/ou des codes locaux applicables. Les prescriptions des codes et normes applicables devront être scrupuleusement respectées.

# INSTRUCTIONS D'INSTALLATION

---

Le chauffe-eau Bosch WR430-3K comporte un échangeur de chaleur à tube/ailettes de haute efficacité; on ne devrait pas l'installer ou le faire fonctionner durant une période de construction ou de rénovation d'un bâtiment, si l'emplacement d'installation est exposé à une quantité de poussière supérieure à la normale; ceci pourrait provoquer une accumulation de poussière sur l'échangeur de chaleur, qui pourrait endommager l'appareil et susciter des risques pour la santé.

Note : Le fonctionnement fiable et en sécurité de l'appareil nécessite une source adéquate d'air de combustion et une réalisation correcte des circuits et canalisations (eau, gaz, conduit d'évacuation). Les travaux d'installation et/ou entretien du chauffe-eau nécessitent des aptitudes et connaissances équivalentes à celles qui sont exigées des techniciens professionnels dans chaque spécialité concernée.

## DEMANDE D'AIR

Une quantité d'air suffisante doit être disponible pour la combustion du gaz et pour l'aération du local, et pour la dilution des gaz de combustion. Une carence d'air suscitera l'établissement d'une flamme jaune lumineuse sur le brûleur, et l'accumulation de suie sur l'échangeur de chaleur.

## LIEU D'INSTALLATION

Veiller à choisir un emplacement d'installation convenable pour le chauffe-eau instantané à gaz BOSCH. L'emplacement d'installation doit être aussi proche que possible de la bouche de décharge à l'extérieur et aussi proche que possible des tuyauteries d'alimentation, et il doit disposer d'une source adéquate d'air de combustion. Ne **pas** installer le chauffe-eau en un lieu où il pourrait être exposé au gel. Il est prudent que le chauffe-eau soit installé en un endroit où une éventuelle fuite d'eau ne fera pas subir de dommages aux locaux adjacents ou des étages inférieurs du bâtiment. **Voir Extraction des gaz de combustion, à la page 5.**

Note : Si l'emplacement d'installation ne peut satisfaire ces critères, on recommande d'installer sur le chauffe-eau un plateau de récupération adéquatement relié à une canalisation d'évacuation. Le plateau utilisé ne doit pas entraver la circulation d'air de combustion.

Pour éviter la corrosion, veiller à ce que l'air de combustion soit exempt de substances agressives, en particulier les hydrocarbures halogénés (composés contenant par exemple du chlore ou du fluor) qui peuvent entrer dans la composition de divers produits comme solvant, peinture, adhésif, flacon d'aérosol, produits de nettoyage ménager, etc. Appliquer les précautions nécessaires.

Dans un espace non confiné d'un bâtiment de construction normale, l'infiltration d'air est normalement suffisante pour que le chauffe-eau dispose de la quantité adéquate d'air de combustion, ventilation et dilution. Cependant si le chauffe-eau est installé dans un espace confiné (par exemple un placard), il sera nécessaire d'établir deux ouvertures permanentes pour l'alimentation de l'appareil en air de combustion et de ventilation. Chaque ouverture doit offrir un espace de passage libre de 1 po<sup>2</sup> par 1000 Btu/h\* de débit thermique, pour l'ensemble des appareils installés dans l'espace confiné considéré. L'une des ouvertures doit être placée à moins de 12 po du sommet et l'autre à moins de 12 po du fond.

## ALIMENTATION ÉLECTRIQUE

On doit disposer d'une prise de courant reliée à la terre et contrôlée par un interrupteur, au-dessous de l'angle inférieur gauche du chauffe-eau, pour le branchement du cordon d'alimentation fourni de 3 pi (0,9 m).

### \* Note spéciale

Si le chauffe-eau WR430-3K doit être installé dans un espace confiné de taille minimum, la taille des ouvertures d'entrée d'air spécifiée ci-dessus doit être de 1,5 po<sup>2</sup> par 1000 BTU/h de débit thermique. En d'autres mots, pour l'installation du chauffe-eau dans un espace confiné de taille minimum, chacune des deux ouvertures d'aération de l'espace confiné placées à moins de 12 po du sommet et à moins de 12 po du fond doit offrir une surface de passage d'air d'au moins 1,5 po<sup>2</sup> x 130 = 195 po<sup>2</sup>.

Pour un chauffe-eau installé dans espace confiné ou non confiné dans un bâtiment relativement étanche, avec infiltration d'air insuffisante, on doit prélever l'air d'alimentation du chauffe-eau à l'extérieur ou dans un espace qui communique librement avec l'extérieur. On doit donc prévoir deux ouvertures permanentes aux positions indiquées, comme suit :

1. **Communication avec l'extérieur, directement ou par des conduits verticaux.** Chaque ouverture d'alimentation doit offrir une surface de passage d'au moins 1 po<sup>2</sup> par 4000 BTU/h de capacité thermique totale pour l'ensemble des appareils installés dans l'espace concerné.
2. **Communication avec l'extérieur par des conduits horizontaux.** Chaque ouverture d'alimentation doit offrir une surface de passage d'au moins 1 po<sup>2</sup> par 2000 BTU/h de capacité thermique totale pour l'ensemble des appareils installés dans l'espace concerné.

Pour le détail des prescriptions, consulter les normes suivantes (dernière édition) :

- Au Canada, code d'installation CAN/CGA-B149
- Aux É.-U., norme ANSIZ223.1 (National Fuel Gas Code).

### AVERTISSEMENT!

1. Ne jamais placer sur le chauffe-eau ou à proximité un récipient pressurisé ou récipient contenant de l'essence ou un autre produit inflammable, ou tout autre article constituant un risque d'incendie. On doit maintenir le voisinage de l'appareil totalement exempt de produits combustibles, essence et autres produits inflammables liquides ou gazeux.
2. Ne pas entraver l'arrivée d'air de combustion et de ventilation à l'appareil.

### DÉGAGEMENTS DE SÉPARATION

La conception du chauffe-eau WR430-3K est homologuée pour l'installation sur un mur de matériaux combustibles ou dans une alcôve ou un placard, si les valeurs suivantes sont respectées pour les dégagements de séparation entre le chauffe-eau et les matériaux combustibles : 0 mm à l'arrière, 102 mm (4 po) sur les côtés, 305 mm (12 po) au sommet et au-dessous, et 102 mm (4 po) à l'avant. On doit également établir un espace libre d'au moins 305 mm (12 po) pour les interventions d'entretien ou changement de pièces. La valeur du dégagement de séparation à respecter autour du conduit d'évacuation des gaz de combustion dépendra du matériau et des caractéristiques du conduit d'évacuation utilisé; voir la page 6.

### MONTAGE

La conception du chauffe-eau WR430-3K est homologuée pour l'installation sur un mur. Le chauffe-eau ne doit pas être installé sur un mur garni d'une moquette murale; le chauffe-eau doit être fixé sur le mur au moyen d'accessoires d'ancrage appropriés.

Note : Si le mur est constitué d'une ossature garnie de panneaux de gypse, on recommande de fixer d'abord sur les poteaux d'ossature des traverses de bois de 1 po x 4 po ou de contreplaqué d'au moins 1/2 po, et de fixer ensuite le chauffe-eau sur ces supports de bois. Voir la figure 2.

Figure 2

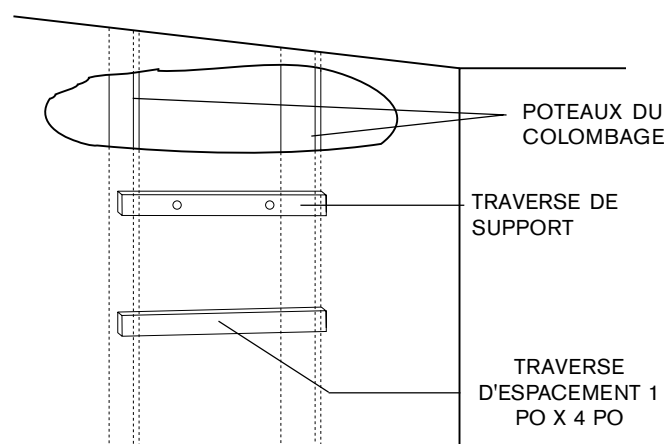


Fig. 2 - Montage du chauffe-eau

Les phénomènes de dilatation/contraction des tuyauteries sous l'effet des variations de la température de l'eau provoquent des mouvements du chauffe-eau; si celui-ci est fixé directement sur un matériau fragile ou friable, comme un panneau de gypse, la solidité de la fixation se dégradera.

L'INSTALLATION DU CHAUFFE-EAU DOIT SATISFAIRE LES CRITÈRES DE L'ÉDITION LA PLUS RÉCENTE DU CODE D'INSTALLATION CAN/CGA-B149 (AU CANADA) OU DE LA NORME Z223.1 (NATIONAL FUEL GAS CODE - AUX É.-U.) ET/OU LES PRESCRIPTIONS DE L'AUTORITÉ RÉGLEMENTAIRE COMPÉTENTE.

# CIRCUIT DE DÉCHARGE ET VENTILATEUR D'EXTRACTION Bosch

## INTRODUCTION

La conception d'un chauffe-eau **Bosch** avec ventilateur d'extraction permet de résoudre certaines difficultés qui sont insurmontables dans le cas d'un système à décharge naturelle vers l'atmosphère; on peut ainsi satisfaire efficacement la demande d'eau chaude avec un appareil non polluant qui minimise la consommation d'énergie et les rejets de gaz de combustion à l'atmosphère.

## INFORMATION GÉNÉRALE

Le circuit de décharge avec ventilateur d'extraction doit être installé par un **\*technicien qualifié**, dans le respect des prescriptions de tous les codes applicables régissant les installations d'équipements à gaz et électriques; en l'absence de tels codes, il conviendra de respecter les prescriptions de l'édition la plus récente des normes suivantes :

- Norme CAN1/CGA B149 (Code d'installation des appareils à combustion de gaz), et Code canadien de l'électricité C22.1-M90 partie 1, **pour le Canada**.
- Norme ANSI Z223.1 (National Fuel Code) et norme ANSI/NFPA No 70 (National Electrical Code), **pour les É.-U.**

Les actions suivantes rendront la garantie **Bosch** invalide, et **Bosch** rejette toute responsabilité à cet égard :

- Utilisation de tout composant de circuit d'évacuation non homologué et non fabriqué ou approuvé par **Bosch**, en conjonction avec le chauffe-eau **Bosch WR430-3K**.
- Modification quelconque du chauffe-eau **Bosch WR430-3K** lors de l'installation du circuit de décharge avec ventilateur d'extraction. Chaque système doit être installé conformément aux instructions du guide d'installation **Bosch**.
- Installation réalisée non conformément aux instructions de ce manuel.

### MISE EN GARDE :

**Le circuit de décharge Bosch avec ventilateur d'extraction doit être installé par une personne qualifiée en conformité avec les présentes instructions.**

**Toute installation incorrecte peut susciter l'établissement d'une situation dangereuse, comme risque d'explosion ou d'empoisonnement par le monoxyde de carbone. Bosch décline toute responsabilité en rapport avec un appareil incorrectement installé.**

**\*PERSONNEL D'INSTALLATION QUALIFIÉ :** Technicien indépendant ou personnel d'une firme ou entreprise qui entreprend des travaux d'installation et mise en service d'appareils à gaz et dispositifs de contrôle du tirage ou d'extraction d'air, qui justifie d'une expérience adéquate dans ces travaux, qui a une parfaite connaissance des précautions à observer, et dont le travail d'installation satisfait les critères de l'autorité réglementaire compétente.

## INFORMATION GÉNÉRALE SUR LE CIRCUIT DE DÉCHARGE

### DIMENSIONS ET DISTANCES :

Planifier l'installation du circuit de décharge en veillant au respect des dégagements de séparation stipulés par le code applicable ou par le fabricant, pour la séparation entre les composants du circuit et matériaux combustibles, câblage électrique et canalisations de plomberie.

Cet appareil doit être directement relié à une bouche de décharge homologuée au moyen d'un coude à 90°, ou au moyen d'un circuit de décharge de moins de 15 pi (4,6 m) (longueur effective); le circuit d'évacuation ne doit pas incorporer plus de deux coudes à 90°. Utiliser pour le circuit d'évacuation **uniquement** des produits et raccords de diamètre de 4 po (10,2 cm).

# CIRCUIT DE DÉCHARGE ET VENTILATEUR D'EXTRACTION Bosch

## INFORMATION GÉNÉRALE SUR LE CIRCUIT DE DÉCHARGE - suite

### MATÉRIAUX APPROUVÉS POUR LE CIRCUIT DE DÉCHARGE :

#### Paroi simple :

Matériau d'épaisseur mentionnée dans l'édition la plus récente de la norme CAN1/CGA B149 (Code d'installation des appareils à gaz) pour le Canada, ou norme ANSI Z223.1 (National Fuel Code) pour les É.-U.

**Note : On ne peut utiliser ces composants dans un espace dissimulé.**

#### Matériaux "B-vent" :

Dans les conditions ci-dessous, on ne peut utiliser que des sections de conduit droites (sans coude)

- (i) Section de conduit "B-vent" de 5 po non scellé, utilisée comme gaine de passage d'un conduit scellé de 4 po à paroi simple, à travers un espace dissimulé ou non chauffé.

#### Dégagements de séparation des matériaux combustibles des murs et cloisons :

- 1 po (25 mm) pour conduit B-vent.
- 3 po (76 mm) pour conduit à paroi simple et conduit PVS-1 non isolé.

Pour le passage à travers une cloison interne, une douille doit être installée.

Une section de conduit traversant un espace non chauffé ou exposé à la température extérieure doit être isolée, pour la prévention de la condensation.

Toute section du circuit de décharge exposée à une pression positive durant le fonctionnement du chauffe-eau (du côté "décharge" du chauffe-eau WR430-3K) devra être scellée avec un matériau de silicones résistant aux températures élevées et du ruban d'aluminium résistant aux températures élevées, et elle devra être installée/réalisée de telle manière qu'il ne puisse y avoir de fuite de gaz de combustion à l'intérieur du bâtiment.

### PRESCRIPTIONS GÉNÉRALES DES CODES

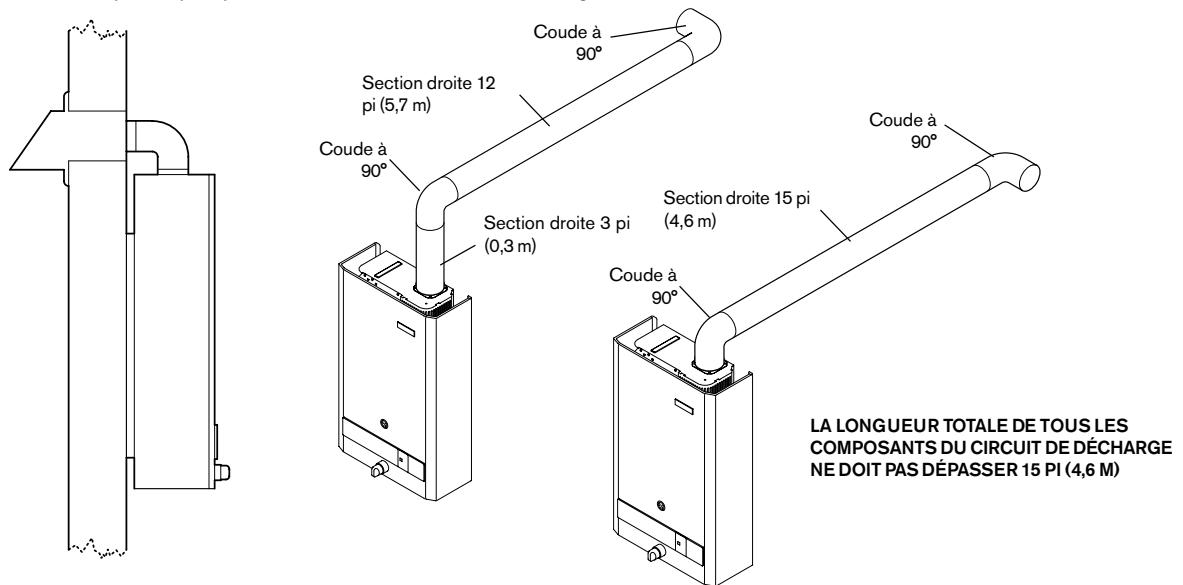
Avant d'entreprendre l'installation, consulter les codes locaux régissant l'installation des équipements électriques et à gaz, et les autorités réglementaires compétentes; à défaut, réaliser l'installation conformément aux prescriptions de la plus récente édition des normes suivantes :

- Norme CAN1/CGA B149 (Code d'installation des appareils à combustion de gaz), et Code canadien de l'électricité C22.1-M90 partie 1, **pour le Canada.**
- Norme ANSI Z223.1 (National Fuel Code) et norme ANSI/NFPA No 70 (National Electrical Code), **pour les É.-U.**

# CIRCUIT DE DÉCHARGE ET VENTILATEUR D'EXTRACTION Bosch

## INSTALLATION DE LA BOUCHE DE DÉCHARGE :

Avant d'entreprendre l'installation du chauffe-eau Bosch WR430-3K, déterminer l'emplacement de la bouche de décharge, qui peut être connectée au chauffe-eau directement par un coude à 90°, ou par un circuit de décharge dont la longueur ne dépasse pas 15 pi et ne comprend pas plus de deux coudes à 90°. (Voir Fig. 1)



**Note :** Par temps très froid, une pression d'air négative suscitée par exemple par un système de ventilation ou de chauffage mal équilibré peut provoquer une inversion de la circulation d'air dans une cheminée ou un conduit de décharge de gaz de combustion. Par temps très froid, ceci peut provoquer le gel et une détérioration de l'échangeur de chaleur du chauffe-eau Bosch durant une période prolongée de non-utilisation, par exemple durant la nuit. Une bouche de décharge avec clapet anti-reflux est fournie avec l'appareil pour la minimisation des infiltrations d'air extérieur et du risque de gel de l'appareil.

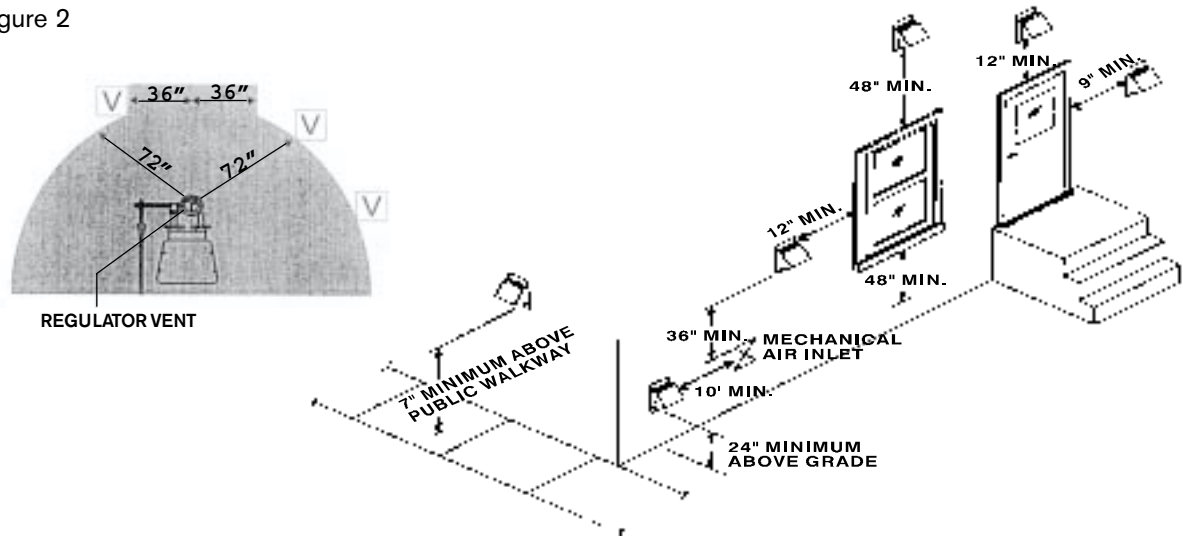
La bouche de décharge en fin de circuit doit être configurée/installée de telle manière que les dégagements de séparation stipulés soient respectés, et que les gaz déchargés ne soient pas projetés vers des personnes et qu'ils ne puissent pénétrer dans un bâtiment ou susciter l'échauffement de matériaux combustibles (voir Fig. 2)

- La bouche de décharge du circuit de décharge avec ventilateur doit être placée à au moins 7 pi (213 cm) au-dessus du sol, dans le cas où il s'agirait d'une voie de circulation de piétons, accessible au public.
- La bouche de décharge doit être située à au moins 3 pi (91 cm) au-dessus, et à au moins 10 pi (305 cm) horizontalement, de toute entrée d'air mécanique.
- La bouche de décharge ne doit pas se trouver à moins de 6 pi (183 cm) d'un détendeur ou compteur à gaz, ou à moins de 3 pi (91 cm) horizontalement de l'axe central d'un tel détendeur.
- La bouche de décharge doit être située à au moins 6 pi (182 cm) de toute entrée d'air de combustion.
- La bouche de décharge doit être située - dans le cas d'une fenêtre ouvrante - à au moins 4 pi (122 cm) au-dessous de l'embrasure et à au moins 12 po (30 cm) horizontalement; dans le cas d'une porte, à au moins 1 pi (30 cm) au-dessus et 9 po (23 cm) horizontalement.
- La bouche de décharge doit être située à au moins 3 pi (91 cm) d'un bâtiment adjacent.
- La bouche de décharge doit être située à au moins 2 pi (61 cm) au-dessus du sol.



# CIRCUIT DE DÉCHARGE ET VENTILATEUR D'EXTRACTION Bosch

Figure 2



## CÂBLAGE ÉLECTRIQUE :

1. Capacité du commutateur électrique comme suit :  
\_\_\_\_\_ 1/10e HP sous 120 VCA  
\_\_\_\_\_ 3 A (pleine charge) sous 120 VCA
2. Prévoir une prise de courant avec interrupteur pour la fiche de branchement Bosch.
3. Vérifier que la source d'électricité peut satisfaire la demande du moteur du ventilateur.

## INSTALLATION DU SYSTÈME DE DÉCHARGE

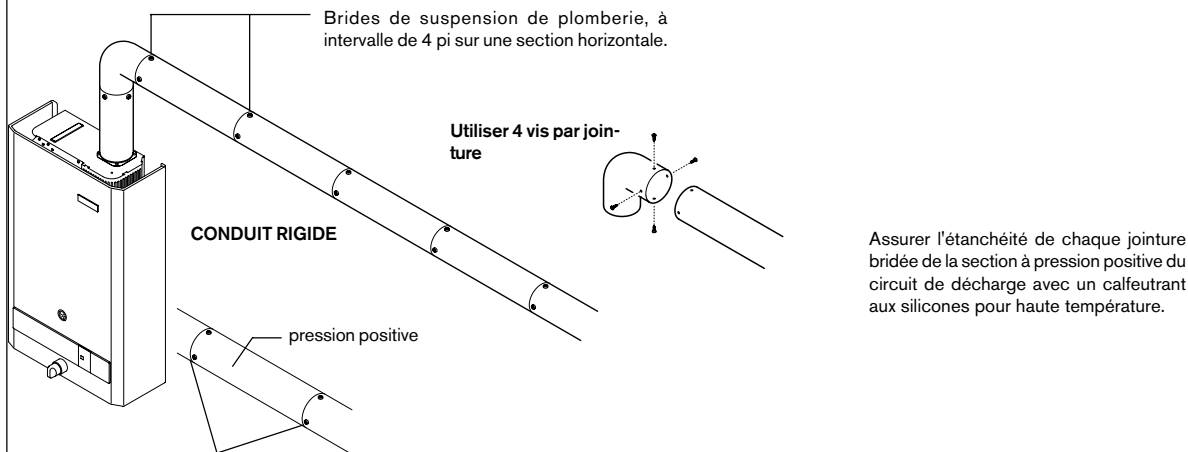
1. Choisir un emplacement approuvé pour la bouche de décharge.
2. Percer l'ouverture appropriée dans le mur extérieur pour l'installation de la bouche de décharge - voir les instructions d'installation fournies avec la bouche de décharge.
3. Fixer la bouche de décharge par l'extérieur, avec 4 vis; calfeutrer autour de la collerette d'appui. Le cas échéant, vérifier que le clapet de fermeture peut manœuvrer librement.
4. Installer les conduits de 4 po du circuit de décharge; assujettir chaque jointure avec au moins 4 vis de fixation. De préférence, utiliser des sections rectilignes aussi longues que possible, pour minimiser le nombre de jointures.
5. Assurer une parfaite étanchéité de chaque jointure du circuit de décharge entre le chauffe-eau Bosch et la bouche de décharge, avec un matériau de silicones très résistant aux températures élevées et/ou du ruban d'aluminium résistant aux températures élevées, conformément aux instructions du fabricant (on doit toujours faire couler la pâte de silicones en avant de la buse d'application).

# CIRCUIT DE DÉCHARGE ET VENTILATEUR D'EXTRACTION Bosch

## INSTALLATION DU SYSTÈME DE DÉCHARGE

6. Soutenir le conduit de décharge avec des brides de suspension de plomberie (fourniture par l'installateur); il suffit de soutenir le conduit à intervalles de 4 pi. Chaque jointure d'une section de conduit horizontale doit être assujettie à l'aide d'au moins 4 vis. (Voir figure 3).
7. Toute section de conduit traversant un espace non chauffé doit être enveloppée avec au moins 1 po de matériau isolant.

Figure 3



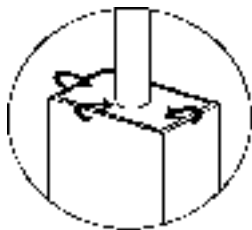
Assurer l'étanchéité de chaque jointure avec un matériau de silicones très résistant aux températures élevées et/ou du ruban d'aluminium résistant aux températures élevées

## UTILISATION ET CONTRÔLE DU TIRAGE

- A. Faire fonctionner le chauffe-eau **Bosch**. Voir les instructions pour l'allumage de la flamme de veille et l'utilisation de l'appareil sur le couvercle du chauffe-eau Bosch.

1. Puiser de l'eau sans interruption pour déclencher l'allumage du brûleur dans le chauffe-eau.
2. **CONTRÔLE DU TIRAGE.** Faire fonctionner le chauffe-eau (capot en place) pendant au moins cinq minutes, et vérifier que le tirage est adéquat et que les gaz de combustion sont convenablement évacués : promener une allumette enflammée ou une source de fumée sur le bord supérieur du capot du chauffe-eau Bosch et au voisinage de la hotte d'aspiration. Si le tirage est adéquat, la fumée ou la flamme de l'allumette sera aspirée vers le bord supérieur du capot du chauffe-eau Bosch et dans l'ouverture ou la hotte d'aspiration. (Voir l'illustration Contrôle du tirage)

### CONTRÔLE DU TIRAGE



**NOTE : Si la fumée ou la flamme n'est pas aspirée, ceci indique que des gaz de combustion s'échappent dans la pièce par les ouvertures; il ne faut alors pas faire fonctionner le chauffe-eau avant que les réglages ou réparations adéquats aient permis l'établissement du tirage suffisant.**

3. Contrôler le fonctionnement du dispositif de sécurité: obstruer la bouche de décharge à l'extérieur, et puiser de l'eau; le système de sécurité devrait déclencher la fermeture de la vanne d'arrivée de gaz du chauffe-eau Bosch. Ne pas oublier ensuite d'enlever l'obstruction dans la bouche de décharge.
4. Après une manœuvre correcte du système de sécurité, attendre 5 minutes le réarmement du système.

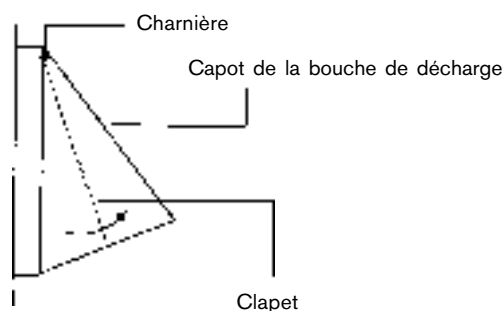
# CIRCUIT DE DÉCHARGE ET VENTILATEUR D'EXTRACTION Bosch

- B. Le système de décharge avec ventilateur a été réglé à l'usine pour la production d'un débit d'air optimum. Lorsque le système fonctionne sur la base de ce réglage, les gaz de combustion seront évacués à l'extérieur en sécurité.

## ENTRETIEN

### Points d'inspection :

1. Moteur - Le moteur doit pouvoir tourner librement.
2. Turbine du ventilateur - La turbine doit être exempte de poussière ou toute autre accumulation de matières qui entraverait la rotation ou la libre circulation de l'air. Avant de faire fonctionner le chauffe-eau, éliminer toute matière étrangère du circuit de décharge.
3. Système de sécurité - Pour vérifier le bon fonctionnement du système de sécurité, obstruer temporairement la bouche de décharge et observer l'effet produit; le système doit interrompre l'alimentation en gaz du chauffe-eau.
4. Contrôle du tirage - Rechercher d'éventuelles fuites de gaz de combustion - voir le processus décrit à la page 9, à la section Utilisation et contrôle du tirage.
5. Bouche de décharge - Inspecter la bouche de décharge; vérifier qu'elle n'a pas été altérée ou obstruée, et vérifier que les dégagements de sécurité sont respectés; vérifier également que le clapet anti-reflux (le cas échéant) peut manœuvrer librement. Noter que le capot de la bouche de décharge est amovible, ce qui facilite l'entretien et le remplacement du clapet.

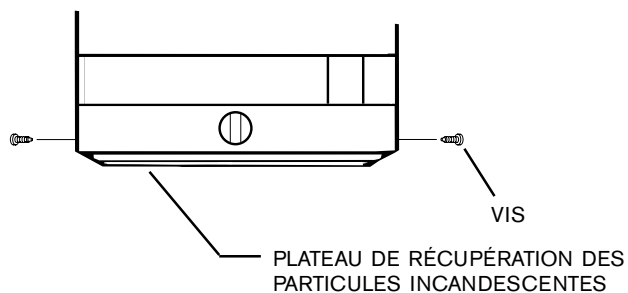


## PLATEAU DE RÉCUPÉRATION

Si le chauffe-eau doit être installé au-dessus d'un plancher de matières combustibles, lors de l'installation on doit fixer le plateau de récupération (placé dans l'emballage avec le chauffe-eau) en bas du capot avant du chauffe-eau; utiliser les vis fournies (voir la figure 3) pour fixer le plateau de récupération sur le capot avant.

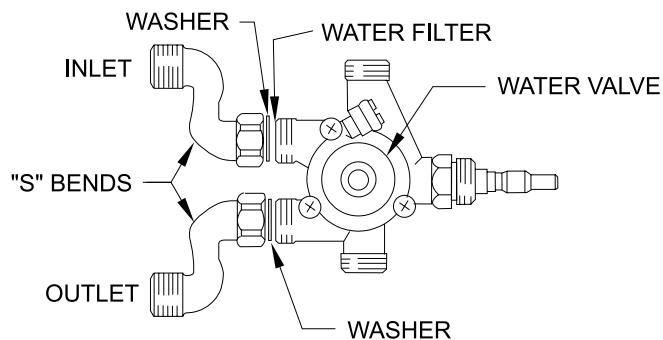
En l'absence du plateau de récupération, le chauffe-eau installé au-dessus d'un plancher de matières combustibles pourrait susciter un risque d'incendie, ce qui serait une violation des critères des homologations A.G.A. et A.C.G.

Figure 3.



## RACCORDEMENT AUX CANALISATIONS D'EAU

Le chauffe-eau instantané BOSCH est fourni avec deux raccords "S" qu'on doit installer sur les connexions d'entrée et de sortie de la vanne manométrique; voir la figure 5 ci-dessous.



Vanne manométrique et raccords "S" - vue de dessus

Figure 5.

Les raccords "S" comportent un filetage de connexion 1/2 po NPT (norme américaine pour tuyauterie). La canalisation d'arrivée d'eau froide devra être raccordée au raccord "S" connecté à l'entrée du chauffe-eau, et la canalisation de distribution d'eau chaude devra être raccordée au raccord "S" connecté à la sortie du chauffe-eau.

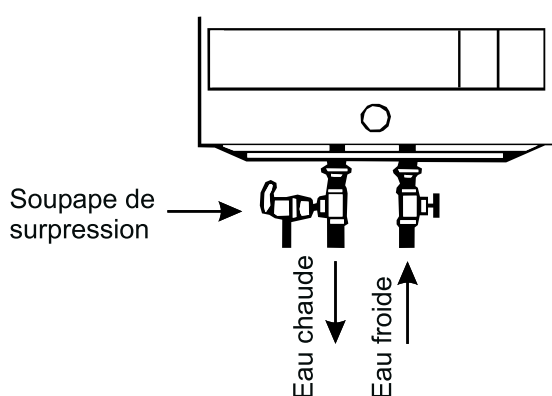
Si on utilise des tuyaux de plastique, on doit installer une section de tuyau métallique de 1,5 m entre les tuyaux de plastique et l'entrée/la sortie du chauffe-eau.

Note : Il est utile d'installer un robinet d'arrêt dans la canalisation d'eau froide qui alimente le chauffe-eau, ce qui facilitera l'exécution des travaux d'entretien.

## SOUPAPE DE SURPRESSION

La soupape de surpression fournie devra être installée à proximité de la sortie d'eau chaude du chauffe-eau lors de l'installation. On ne doit installer aucun robinet entre la soupape de surpression et le chauffe-eau. On doit connecter une canalisation de drainage entre la soupape de surpression et le point d'évacuation (p. ex. siphon de plancher). Ne pas installer un raccord de réduction ou autre composant de diamètre réduit dans la canalisation d'évacuation. La configuration de la canalisation d'évacuation doit permettre le drainage total de la soupape de surpression et de la canalisation. Voir la figure 6.

Figure 6.



## RACCORDEMENT À LA CANALISATION DE GAZ

Avant de raccorder le chauffe-eau à la canalisation de gaz, consulter la plaque signalétique pour vérifier que le gaz disponible pour l'alimentation du chauffe-eau est bien celui qui est spécifié.

Le chauffe-eau instantané WR400-3.K. est fourni avec un détendeur; on doit installer le détendeur sur le chauffe-eau avant d'effectuer le raccordement à la canalisation de gaz. Voir la figure 7. Si le détendeur n'est pas installé comme on le voit à la figure 7, ceci rend invalides les homologations A.G.A et A.C.G de l'appareil.

Le détendeur fourni avec le chauffe-eau BOSCH a été pré-réglé à l'usine pour la pression correcte correspondant au gaz mentionné sur la plaque signalétique :

- au Canada, pour l'utilisation à haute altitude;
- aux É.-U., pour l'utilisation à une altitude standard, sauf si la plaque signalétique indique qu'il s'agit d'un chauffe-eau pour altitude élevée.

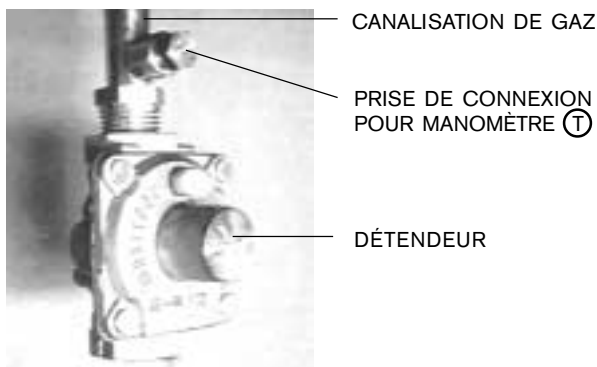


Figure 7. DÉTENDEUR ET CONNECTEUR DE TEST

(T) Prise de connexion pour la mesure de la pression de service établie par le détendeur.

Vérifier que le gaz spécifié sur la plaque signalétique du chauffe-eau est le même qui est spécifié pour le détendeur. Pour d'autre information au sujet du réglage de la pression de gaz, voir la section RÉGULATION DE LA PRESSION dans ce manuel.

Note : Avant de raccorder le chauffe-eau à la canalisation de gaz, vérifier la propreté interne de chaque tuyau de gaz. On doit incorporer à la tuyauterie de gaz une section borgne qui permettra de piéger tous débris ou matière étrangère. La section borgne doit être facilement accessible et ne pas être exposée au gel. Réaliser l'installation conformément aux recommandations du fournisseur de gaz.

Il est nécessaire d'appliquer une quantité modérée d'un composé d'étanchéité, uniquement sur le filetage mâle des jointures de tuyauterie. Ne pas appliquer le composé sur les deux premiers filets; utiliser un composé d'étanchéité qui ne réagit pas avec le propane.

Avant de faire fonctionner le chauffe-eau, effectuer une inspection de recherche des fuites. Pour l'identification des fuites, utiliser une solution de savon et eau, ou un autre produit acceptable à cette fin. Ne jamais utiliser allumette, bougie, briquet ou autre source de flamme pour rechercher les fuites.

## AVERTISSEMENT

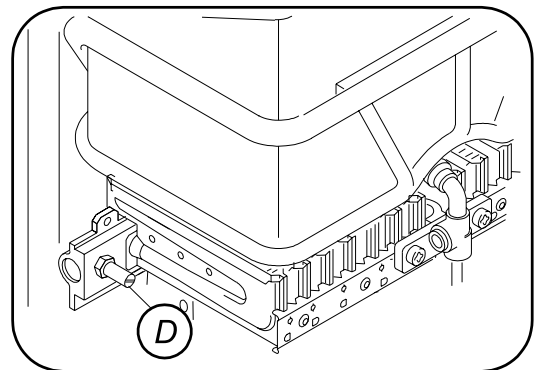
À l'occasion de tout test de pressurisation à une pression supérieure à 3,45 kPa (1/2 lb/po<sup>2</sup> rel.), on doit déconnecter le chauffe-eau et ses robinets d'arrêt individuels de la canalisation de gaz.

Le chauffe-eau et le détendeur ne doivent en aucun cas être soumis à une pression de gaz supérieure à 3,45 kPa (1/2 lb/po<sup>2</sup> rel.). Advenant que le chauffe-eau ou le détendeur soit soumis accidentellement à une pression excessive durant un test de pressurisation de la canalisation de gaz ou autrement, on devra effectuer une inspection détaillée pour confirmer le bon fonctionnement du détendeur et de la vanne d'admission du gaz. Veiller à ce que les vannes d'évent extérieures soient protégées contre toute obstruction ; il s'agit de composants du système d'alimentation en gaz, et non pas de composants du chauffe-eau. Une obstruction des événements peut survenir par temps de gel/glacé.

Figure 7(a) Point de test D du brûleur, pour la mesure de la pression d'alimentation du brûleur au débit maximum (pression mesurée en colonne d'eau) :

Altitude standard : 4,58 po (gaz naturel) ou 9,11 po (propane).

Altitude élevée : 3,73 po (gaz naturel) ou 7,27 po (propane).



# INSTRUCTIONS D'UTILISATION

## AVERTISSEMENT!

Si le chauffe-eau a été endommagé ou exposé à un incendie ou à de la suie, ou si une partie quelconque du chauffe-eau a été immergée, ne pas utiliser l'appareil. Si l'appareil a fonctionné durant une période de construction ou de rénovation du bâtiment, et a été exposé à une quantité excessive de poussière, on doit inspecter et nettoyer régulièrement l'échangeur de chaleur. La présence de poussière entre les ailettes de l'échangeur de chaleur durant le fonctionnement peut susciter un risque pour la santé. Demander immédiatement à un technicien qualifié d'inspecter l'appareil et de remplacer tout composant du système de commande et tout organe de commande du circuit de gaz qui a été immergé ou arrosé, et de procéder à un nettoyage de l'échangeur de chaleur et de la vanne manométrique.

## REPLISSAGE

On doit veiller à remplir le circuit d'eau avant de faire fonctionner le chauffe-eau :

- Vérifier que l'orifice de drainage est fermé. Voir la figure 8 ci-dessous.
  - Ouvrir un robinet d'eau chaude voisin pour permettre à l'eau de circuler dans la tuyauterie et de remplir le chauffe-eau.
  - Fermer le robinet de puisage d'eau chaude après que tout l'air s'est échappé du système et que l'eau coule librement.
- Il est ensuite possible d'allumer le chauffe-eau.

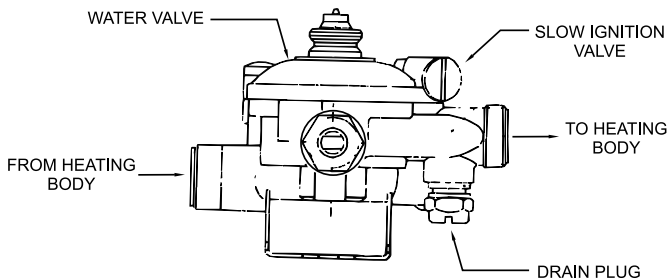


Figure 8

## ENTRETIEN - CONSEILS

Il peut être nécessaire de nettoyer occasionnellement le tamis de filtration installé à l'entrée de la vanne manométrique, qui retient les matières étrangères éventuellement présentes dans l'eau. La présence d'une quantité excessive de matières étrangères sur le tamis de filtration réduit le débit d'eau, ce qui dégrade l'efficacité du chauffe-eau et augmente le délai de remplissage. Pour inspecter le tamis, fermer le robinet d'arrêt sur la canalisation d'eau froide en amont du chauffe-eau, déconnecter le raccord «S» à l'entrée de la vanne manométrique, et retirer le tamis de filtration pour le nettoyer. Après le nettoyage, réinstaller le tamis à l'entrée de la vanne manométrique, reconnecter le raccord «S», et rétablir l'arrivée d'eau.

Procéder à l'allumage conformément aux instructions «Allumage et utilisation» qui figurent sur le chauffe-eau. Ces instructions sont répétées ici :

## ALLUMAGE ET UTILISATION

1. ATTENTION! Lire les instructions de sécurité ci-dessus sur cette étiquette.
2. Fermer la vanne d'arrivée de gaz : placer le commutateur marche/arrêt à la position « O »; attendre cinq (5) minutes la purge du résidu de gaz. Si une odeur de gaz est perceptible, arrêter et exécuter l'instruction « B » de l'étiquette de sécurité ci-dessus. Si aucune odeur de gaz n'est perceptible, passer à l'étape suivante.
3. Ce chauffe-eau est doté d'un brûleur avec flamme de veille et d'un dispositif d'allumage automatique.
4. Placer le commutateur marche/arrêt (pour y accéder, rabattre la plaque de fermeture du logement sur le panneau avant) à la position « I » (le commutateur est marqué I/O); le chauffe-eau est alors prêt à fonctionner. (Voir Fig. 10).
5. Ouvrir le robinet de puisage d'eau chaude pour obtenir le débit minimum nécessaire pour l'activation du chauffe-eau. Le système d'allumage automatique provoque initialement l'allumage de la flamme de veille (système de sécurité) puis l'allumage du brûleur principal environ 4 secondes plus tard.
6. La flamme de veille s'éteint environ 10-30 secondes après l'allumage du brûleur principal. Le brûleur continue à fonctionner jusqu'à ce qu'on referme le robinet de puisage d'eau chaude.
7. Le ventilateur d'extraction des gaz de combustion se met en marche et s'arrête en même temps que le brûleur.

**NOTE :** Après l'installation initiale, la présence d'air dans la canalisation de gaz et dans la canalisation d'eau peut prolonger le délai d'attente avant l'allumage. Dans ce cas, ouvrir/fermer répétitivement le robinet de puisage d'eau chaude pour répéter le processus d'allumage, jusqu'à ce que tout l'air résiduel ait été purgé.

## INTERRUPTION DE L'ALIMENTATION EN GAZ DU CHAUFFE-EAU

Placer la manette du robinet manuel de la canalisation de gaz à la position de fermeture, et ramener le commutateur marche/arrêt à la position d'arrêt (O).

**Pour que le chauffe-eau puisse fonctionner, placer le commutateur marche/arrêt à la position « I ».** On trouve ce commutateur derrière la plaque de fermeture du logement, sur le panneau avant.

**Pour commander l'arrêt du chauffe-eau, ramener le commutateur marche/arrêt à la position d'arrêt « O ».**

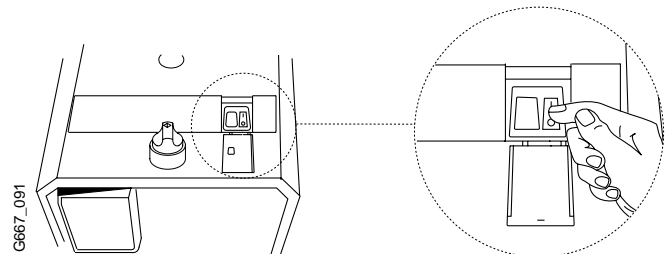


Figure 10

## RÉGULATION DE LA PRESSION

Le détendeur fourni avec le chauffe-eau est réglé pour alimenter le chauffe-eau en gaz à la pression spécifiée sur la plaque signalétique :

- Au Canada, le réglage du détendeur établit la pression d'alimentation « haute altitude » indiquée sur la plaque signalétique (voir ci-dessous).
- Aux É.-U., le réglage du détendeur établit la pression pour « altitude standard » indiquée sur la plaque signalétique (voir ci-dessous).

Déterminer lors de l'installation pour quelle pression de gaz le détendeur est réglé, pour vérifier que cette pression convient pour le gaz disponible et pour l'altitude à laquelle l'appareil est utilisé. Pour le réglage correct, voir la plaque signalétique de l'appareil et le Tableau 1 ci-dessous.

Au Canada, pour un chauffe-eau installé à une altitude standard (0 à 2000 pi au-dessus du niveau de la mer), on doit modifier le réglage de la pression de distribution lors de l'installation, pour la fixer à la valeur indiquée sur la plaque signalétique ou dans le tableau 1 ci-dessous pour l'altitude standard.

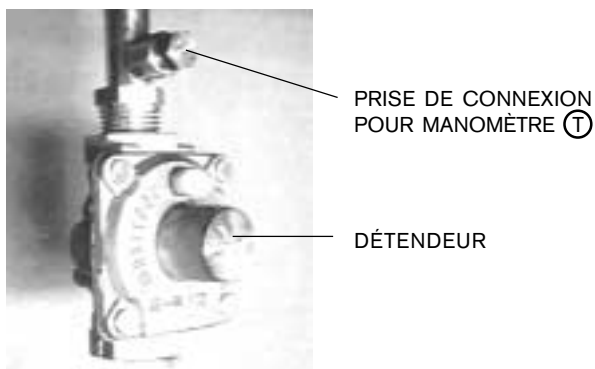


Figure 11

La pression de distribution du gaz spécifiée ci-dessous correspond à l'indication d'un manomètre connecté sur la prise incorporée à cet effet dans la canalisation d'arrivée de gaz juste au-dessus du détendeur (voir la figure 11), alors que le chauffe-eau fonctionne au débit thermique maximum.

La pression du gaz au niveau du brûleur est mesurée au point de test **D** (voir fig. 7 (a), page 12).

Tableau 1.  
Réglage de pression du détendeur

Modèle	Type of Gaz	Pression du détendeur		Altitude
		kPa	Po (colonne d'eau)	
WR430-3K	naturel	1.41	5.38	standard
	propane	2.61	9.9	(0-2,000 pi)
	naturel	1.14	4.4	haute*
	propane	2.09	7.9	(2,000-4,500 pi)

\*Note : Les valeurs de débit thermique indiquées pour une altitude élevée correspondent aux critères de l'Association canadienne du gaz; elles ne sont valides qu'au Canada. Aux É.-U. la norme ANSI Z223,1-1988 (National Fuel Gas Code) recommande une réduction des valeurs de débit thermique de 4 % pour chaque palier de 1000 pieds au-delà de 2000 pieds au-dessus du niveau de la mer.

Pour toute installation du chauffe-eau à une altitude élevée, consulter le fournisseur de l'appareil ou le fournisseur de gaz local. Si un réglage sur place est nécessaire, il devra être exécuté par un technicien qualifié et expérimenté.

## RÉGULATION DE LA TEMPÉRATURE

Le chauffe-eau BOSCH WR430-3K est doté d'une vanne d'admission de gaz à modulation, qui ajuste le débit de gaz fourni au brûleur proportionnellement au débit d'eau. Dans les limites de sa capacité thermique, le chauffe-eau WR430-3K tente de maintenir une augmentation de température constante entre l'entrée et la sortie. On peut régler cette augmentation de température entre 25 °C et 50 °C (45 °F et 90 °F) au moyen du sélecteur de débit d'eau. Voir la Figure 12. Lorsque le bouton de sélection du débit d'eau est complètement tourné vers la droite jusqu'à la butée, le chauffe-eau est réglé pour une augmentation de température de 50 °C (90 °F); lorsque le bouton de sélection du débit d'eau est tourné vers la gauche jusqu'à la butée, l'augmentation de température est de 25 °C (45 °F).

### Bouton de réglage de la température

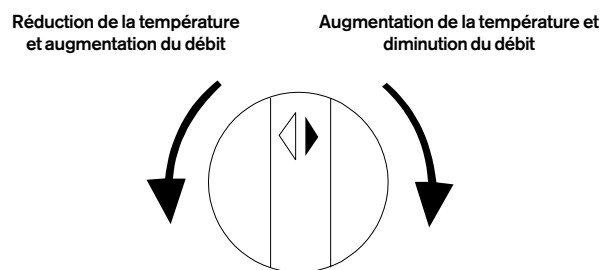


Figure 12 - Principes du réglage

Si la température de l'eau qui arrive au chauffe-eau est de 10 °C (50 °F) alors que le bouton de sélection du débit est tourné vers la droite jusqu'à la butée (augmentation de température de 50 °C), la température de l'eau à la sortie du chauffe-eau sera maintenue à environ 60 °C (140 °F) avec un débit d'environ 2 litres/min à 9,5 litres/min.

Le débit d'eau minimum permettant le fonctionnement du chauffe-eau (débit de seuil) mentionné dans les instructions d'allumage est de 2 litres/min. Si le débit de circulation de l'eau est inférieur à ce niveau, le brûleur de chauffage ne peut s'allumer. Si le débit d'eau est supérieur à 9,5 litres/min, l'augmentation de température de l'eau à travers le chauffe-eau diminue en proportion de l'augmentation du débit.

## THERMOSTAT DE SÉCURITÉ «HAUTE TEMPÉRATURE»

Le chauffe-eau instantané BOSCH est doté d'un coupe-circuit de sécurité haute température qui interrompt l'alimentation à une température d'environ 90 °C (195 °F). Si la température de l'eau au point de mesure dépasse la valeur de réglage, le coupe-circuit s'ouvre, ce qui commande l'interruption de l'alimentation en gaz de la flamme de veille et du brûleur principal.

Une interruption du fonctionnement du chauffe-eau déclenchée par le coupe-circuit haute température indique que le chauffe-eau ne fonctionne pas correctement. Il convient de faire inspecter le chauffe-eau par un technicien qualifié et d'éliminer l'anomalie qui a provoqué cette situation.

## ENTRETIEN

Il convient d'effectuer une opération d'inspection et de nettoyage du chauffe-eau Bosch environ une fois par an. Pour ôter le capot avant, enlever d'abord le plateau de récupération des particules incandescentes, puis enlever le bouton de réglage de la température (tirer), et dévisser et enlever la collerette de plastique. Tirer le capot vers l'avant et soulever pour l'enlever. LES OPÉRATIONS DÉCRITES CI-DESSOUS DOIVENT ÊTRE EXÉCUTÉES PAR UN TECHNICIEN QUALIFIÉ :

**Circuit de décharge des gaz de combustion :** Inspecter annuellement. Nettoyer et réparer selon le besoin. Voir Entretien préventif, page 10.

**Vanne manométrique :** Inspecter périodiquement la vanne manométrique du chauffe-eau; la fréquence dépendra de la teneur de l'eau en composés minéraux et des conditions d'utilisation; des signes de corrosion peuvent apparaître au niveau de la jointure entre les sections gaz/eau. Nettoyer le filtre de l'entrée d'eau (no 36, Figure 19, page 20). Remplacer le diaphragme à intervalles de 7-8 ans pour une application résidentielle, ou de 3-5 ans pour une application commerciale. Si l'eau de la région est acide, on devra également remplacer le venturi à la même occasion (no 39, Figure 19, page 20).

**Flamme de veille :** Le brûleur de la flamme de veille devra produire une flamme bleue de forme nette et bien définie (voir l'illustration Fig. 13). Si la flamme de veille est jaune et mal définie, le tamis du brûleur est peut-être encrassé, ou bien il peut être nécessaire de nettoyer ou remplacer le gicleur du brûleur de la flamme de veille. La longueur de la flamme de veille devrait être d'environ 2 po et elle devrait dépasser la position du détecteur de flamme. Si la flamme est trop petite, elle n'atteindra pas le détecteur de flamme et le brûleur principal ne pourra s'allumer.

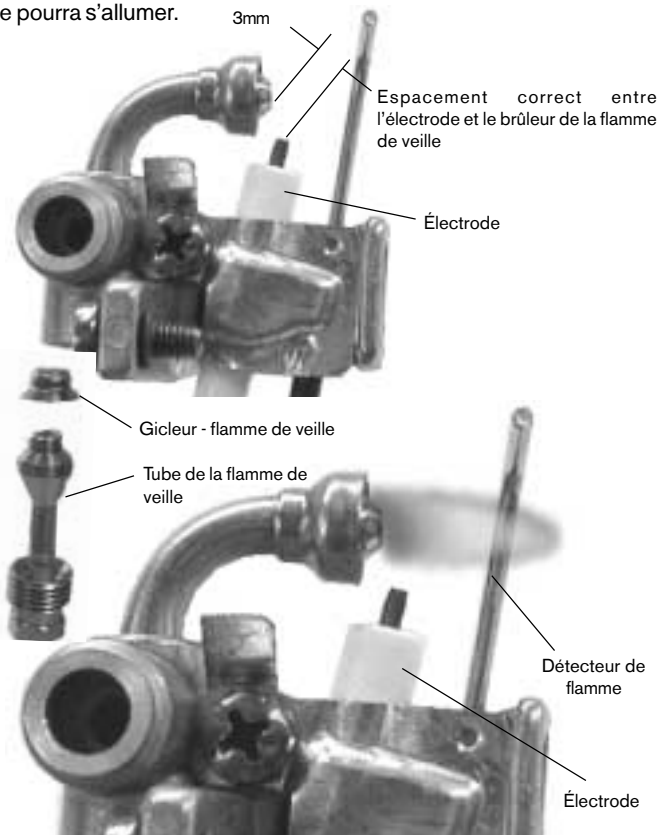


Fig. 13 - Dispositif de la flamme de veille

**Pour nettoyer le brûleur et/ou le gicleur de la flamme de veille :** Fermer l'arrivée de gaz. Placer le commutateur marche/arrêt à la position d'arrêt (position O). Enlever le capot du chauffe-eau ; pour pouvoir ôter le capot, enlever le bouton de réglage de la température (tirer), et dévisser et enlever la collerette de plastique. Tirer le capot vers l'avant et soulever pour l'enlever. Nettoyer ou remplacer le gicleur de la flamme de veille.

## Ne pas agrandir le trou du gicleur.

Pour nettoyer le gicleur, ne pas utiliser un fil métallique ou un objet acéré. Il suffit normalement de souffler à travers un gicleur pour le nettoyer. Pour accéder au gicleur, ôter les deux vis fixant en place le dispositif de la flamme de veille; desserrer ensuite le raccord à compression pour exposer le gicleur.

**Échangeur de chaleur :** Effectuer une inspection visuelle une fois par an, ou plus fréquemment si l'environnement est poussiéreux. S'il y a une accumulation de poussière ou de débris sur les ailettes supérieures, démonter et nettoyer avec un pinceau et de l'eau savonneuse.

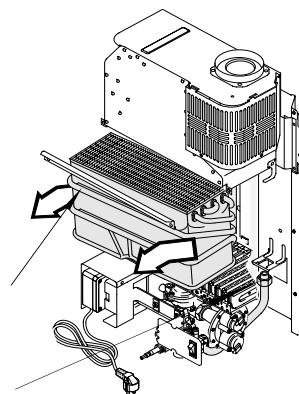
### Dépose de l'échangeur de chaleur

1. Fermer l'arrivée de gaz et l'arrivée d'eau, et ôter le capot avant.

2. Enlever la vis de l'orifice de drainage en bas du régulateur de pression d'eau, et ouvrir le robinet d'eau chaude pour permettre le drainage de l'appareil.

3. Ôter le capot et dévisser la barre de retenue métallique en haut/à l'avant de l'échangeur de chaleur

4. Desserrer les écrous de connexion des canalisations d'eau sur l'échangeur de chaleur, de chaque côté



5. Incliner l'ensemble de chauffage vers l'avant/au sommet, et soulever pour séparer l'échangeur de chaleur du chauffe-eau.

Temps de travail estimé pour démontage/nettoyage et remontage :  
10 minutes

**Brûleur principal :** La flamme du brûleur principal devrait être bleue, avec un cône central bleu saturé. La présence d'une teinte jaune dans les petites flammes peut signaler des obstructions des orifices ou une obstruction entre les lamelles de l'échangeur de chaleur. S'il y a des flammes jaunes sur une section du brûleur et des flammes de bonne qualité sur une autre section du brûleur, il est probable que le venturi a été partiellement obstrué (poussière, peluches ou toile d'araignée).

**Dépôts minéraux :** Dans une région où l'eau est dure, on observera peu d'accumulation de dépôts minéraux si le chauffe-eau Bosch est réglé pour chauffer l'eau à une température modérée. Si cependant le chauffe-eau est réglé pour chauffer l'eau à une température élevée alors que la concentration de composés minéraux dans l'eau est élevée, il est nécessaire d'effectuer périodiquement un détartrage. Démontez le serpentin de l'échangeur de chaleur pour le rincer avec une solution de détartrage. L'augmentation de la température de l'eau à la sortie et l'émission de bruits de choc lorsque l'eau circule sont des indices d'entartrage.

## DÉPANNAGE

### Introduction

L'alimentation en gaz du brûleur du chauffe-eau Bosch WR430-3K est commandée par la pression de l'eau (vanne manométrique). Divers problèmes imputables à la plomberie ou à la qualité de l'eau peuvent susciter des anomalies de fonctionnement de la vanne manométrique, comme : débit d'eau insuffisant, présence de souillures dans la vanne manométrique, accumulation de sédiments dans aérateur de robinet ou pomme de douche, pression non uniforme entre eau chaude et eau froide (robinet mixeur), permutation des canalisations. Ces problèmes qui affectent le débit d'eau peuvent réduire la capacité de chauffage du chauffe-eau, provoquer un arrêt intempestif du chauffage, ou empêcher l'allumage des brûleurs.

Dans le texte qui suit, la description de chaque problème est inscrite en lettres majuscules (caractères gras), et les causes fréquentes de chaque problème sont présentées dans l'ordre de probabilité. La mise en œuvre de la solution suggérée nécessite la dépose du capot ; pour pouvoir ôter le capot, enlever d'abord le plateau de récupération des particules incandescentes, enlever le bouton de réglage de la température (tirer), et dévisser et enlever la collerette de plastique. Tirer le capot vers l'avant et soulever pour l'enlever.



## PAS D'ÉTINCELLES POUR LA FLAMME DE VEILLE

### 1. Commutateur marche/arrêt à la position d'arrêt «O» (Position I).

Le commutateur marche/arrêt est situé derrière un volet rabattable du panneau avant. Voir fig. 10.

### 2. Débit d'eau insuffisant pour l'activation.

Un débit d'eau minimum doit être établi dans le circuit pour l'allumage des brûleurs. Lorsque le bouton de réglage de la température est tourné dans le sens horaire jusqu'à la butée, le débit nécessaire pour l'allumage des brûleurs du chauffe-eau Bosch WR430-3K est de 1/2 gallon par minute; ce débit permet de remplir un récipient de 1 litre en 30 secondes environ. Si le bouton de réglage de la température est tourné dans le sens antihoraire jusqu'au point de butée, le débit nécessaire pour l'allumage des brûleurs est de 1,1 gallon par minute.

### 3. Filtre de l'arrivée d'eau obstrué

La réduction du débit d'eau par les souillures accumulées sur le filtre empêche l'allumage. Nettoyer le tamis de filtration à l'entrée du chauffe-eau.

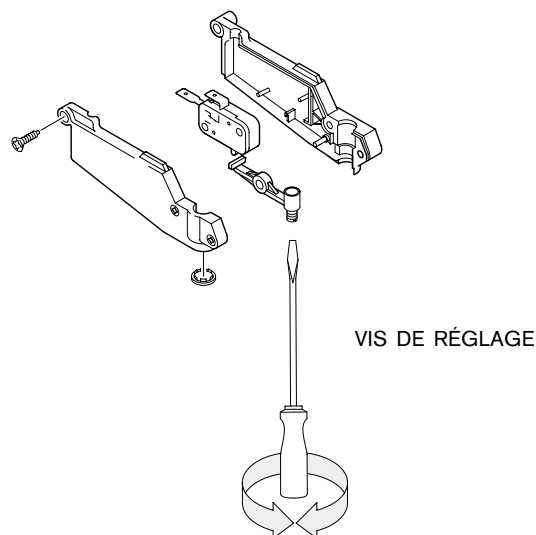
### 4. Permutation des canalisations eau chaude/eau froide

Pour vérifier que les canalisations sont correctement connectées, fermer l'arrivée d'eau froide au chauffe-eau Bosch, et ouvrir un robinet de puisage d'eau chaude; l'eau ne doit pas s'écouler. Si de l'eau s'écoule, il doit y avoir une erreur de raccordement; consulter le plombier.

### 5. Micro-contacteur défectueux – régler ou remplacer.

Si on ne perçoit pas un déclic lors de l'ouverture d'un robinet, il est nécessaire de régler le micro-contacteur. Voir Fig. 15. Si un réglage ne permet pas de résoudre le problème, remplacer le micro-contacteur.

Fig. 15 - Réglage du micro-contacteur



Pas de production d'étincelles lorsque l'eau circule	Production constante d'étincelles en l'absence d'une circulation d'eau
1 Fermer le robinet de puisage	1 Fermer le robinet de puisage
2 Ôter le bouton de protection et dévisser la vis de réglage, jusqu'au point où le dispositif produit des étincelles	2 Visser la vis de réglage, jusqu'à ce que le dispositif ne produise plus d'étincelles
3 Revisser, de 1,5 tour	3 Visser encore de 1,5 tour
4 Réinstaller le bouchon de protection	

### 7. Raccordement de la canalisation d'eau froide du mauvais côté de l'échangeur de chaleur

Veiller à raccorder la canalisation d'eau froide sur le côté droit du chauffe-eau – pour l'observateur qui fait face au chauffe-eau.

### 8. Vanne manométrique : pièces encrassées ou composants endommagés

Contrôler d'abord l'absence de souillures dans le venturi. Il faut que la vanne manométrique et les composants soient totalement exempts de souillures. Dans une région où l'eau est dure, les composés minéraux peuvent corroder les composants de la vanne manométrique (en 3 à 5 ans) jusqu'au point où un remplacement est nécessaire. La présence d'humidité au sommet de la vanne manométrique indique un besoin immédiat d'entretien/réparation/remplacement de la vanne manométrique.

### 9. Module de commande électronique – mauvaise connexion

Le dispositif d'allumage par étincelles ne peut fonctionner s'il n'est pas alimenté électriquement. Contrôler/restaurer la qualité des connexions.

## PRODUCTION D'ÉTINCELLES LORS DE L'OUVERTURE D'UN ROBINET DE PUISAGE D'EAU CHAUDE, MAIS LA FLAMME DE VEILLE ET LE BRÛLEUR NE S'ALLUMENT PAS

### 1. Présence d'air dans la canalisation de gaz

Ce problème peut se manifester lors de l'installation initiale ou après une intervention d'entretien sur la tuyauterie, ou lorsqu'on a laissé une canalisation de gaz se vider. Ouvrir/fermer répétitivement le robinet de puisage d'eau chaude pour permettre l'évacuation progressive de l'air piégé dans la canalisation de gaz.

### 2. Le chauffe-eau Bosch ne reçoit pas de gaz

A. Le robinet d'arrêt de la canalisation de gaz est fermé  
B. Le détendeur peut être fermé ou endommagé. Débloquer ou remplacer le détendeur. **Note** : Le détendeur fourni avec le chauffe-eau est conçu pour être exclusivement utilisé dans un circuit de gaz à basse pression. Une pression excessive provoque le blocage du détendeur; ceci se produit généralement lors de l'emploi de propane si on n'a pas réduit la pression entre la bouteille de gaz et le détendeur. Au sujet de la pression de gaz recommandée, voir le tableau de la page 14. Pour débloquer le détendeur, consulter le fournisseur de gaz.

### 3. Obstruction du gicleur de la flamme de veille ou de la vanne d'admission de gaz

La présence de souillures (poussière, etc.) dans le gaz ou dans l'air peut provoquer une obstruction. Il peut être nécessaire de nettoyer ou remplacer le gicleur de la flamme de veille ou le filtre à l'entrée du brûleur principal.

### 4. Vanne manométrique

Si le gicleur de la flamme de veille est propre, inspecter la vanne manométrique. La vis de réglage du micro-contacteur de la vanne manométrique peut ne pas être assez serrée (Fig. 15). Ôter le bouchon de protection sous le micro-contacteur, et desserrer prudemment la vis de réglage jusqu'au point où la flamme de veille peut s'allumer; revisser ensuite de 1,5 tour.

### 5. Contacteur de l'électrovanne de la flamme de veille – remplacement (voir Fig. 17).

Contacter un technicien qualifié, ou téléphoner au 1-800-663-8405 (Canada), ou 1-800-824-7337 (É.-U.).

### 6. Module de commande électronique – remplacement (voir Fig. 17).

Contacter un technicien qualifié, ou téléphoner au 1-800-663-8405 (Canada), ou 1-800-824-7337 (É.-U.).

## PRODUCTION CONSTANTE D'ÉTINCELLES, SANS CIRCULATION D'EAU

### 1. Réglage nécessaire du micro-contacteur

Si le dispositif émet des étincelles en l'absence d'une circulation d'eau, il est nécessaire de régler le micro-contacteur de la vanne manométrique. (Voir Fig. 16).

## FLAMME DE VEILLE ALLUMÉE, MAIS LE BRÛLEUR NE S'ALLUME PAS

1. Vérifier que la vanne manométrique fonctionne correctement.

2. Vérifier que le détecteur de flamme est à la position correcte.

3. Vérifier que le contacteur de l'électrovanne du brûleur fonctionne correctement. Contacter un technicien qualifié, ou téléphoner au 1-800-663-8405 (Canada), ou 1-800-824-7337 (É.-U.).

4. Il faut peut-être remplacer le module de commande électrique (Fig. 16). Contacter un technicien qualifié, ou téléphoner au 1-800-663-8405 (Canada), ou 1-800-824-7337 (É.-U.).

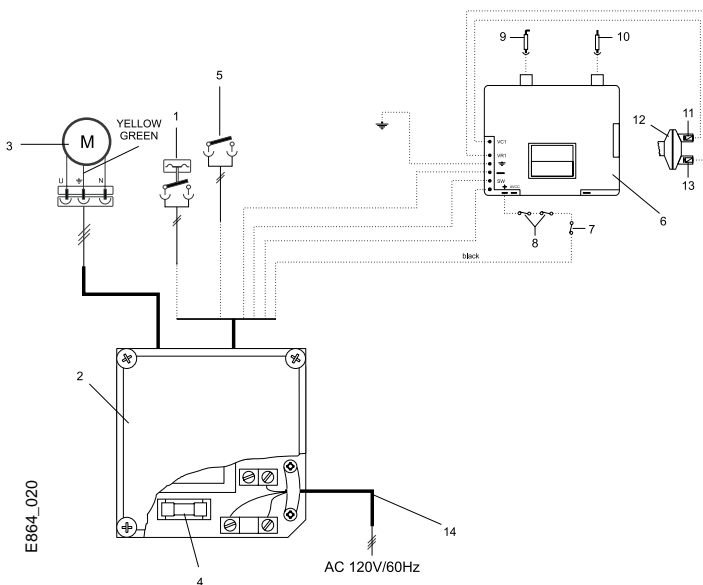


Fig. 16 - Schéma des circuits électriques

## EXTINCTION DU BRÛLEUR PRINCIPAL DURANT L'UTILISATION D'EAU CHAUDE

1. Débit d'eau inférieur au débit minimum : 0,5 gal. US/min (2,5 L) pour la température maximum; 1 gal. US/min (5 L) pour la température minimum

2. Déséquilibre des pressions entre les canalisations d'eau

La perte de charge introduite par le chauffe-eau Bosch dans le circuit d'eau chaude peut susciter un déséquilibre des pressions entre les circuits d'eau chaude et d'eau froide. Dans ce cas, lors du mélange d'eau froide et d'eau chaude au niveau du robinet de puisage, la canalisation d'eau chaude peut être exposée à une rétropression excessive provenant de la canalisation d'eau froide, ce qui provoque l'extinction du brûleur du chauffe-eau. Vérifier l'absence de dépôts minéraux et souillures dans les aérateurs des robinets et pommes de douche. Ne pas ajouter un dispositif de restriction du débit au circuit d'une douche.

3. Inspecter la source de gaz

4. Chauffage excessif provoquant l'arrêt sur commande du thermostat «haute température» (dispositif de sécurité)

5. Pression d'eau insuffisante pour l'alimentation du chauffe-eau

Déterminer la pression d'eau à l'entrée du chauffe-eau. Dans le cas de l'alimentation à partir d'un puits, établir la pression d'alimentation à au moins 40 lb/po<sup>2</sup> pour obtenir la meilleure performance. Vérifier que le réservoir pressurisé associé à la pompe d'alimentation n'est pas excessivement rempli d'air.

6. Inspecter le ventilateur. Le ventilateur doit fonctionner lorsque le brûleur s'allume.

7. Inspecter le clapet de la bouche de décharge à l'extérieur: peut-il manœuvrer librement?

## EAU TROP CHAUDE

1. Rechercher une accumulation de tartre (voir Entartrage/Détartrage, p. 15)

2. Réglage pour une température trop élevée

Faire tourner le bouton de réglage de la température dans le sens antihoraire (vers la gauche) pour réduire la température maximum de l'eau.

Note : Ceci suscite une augmentation du débit d'activation du chauffe-eau.

3. Température de l'eau trop élevée à l'entrée du chauffe-eau (alimentation par un circuit de préchauffage).

4. Pression d'eau insuffisante

## TEMPÉRATURE DE L'EAU INSUFFISANTE

1. Réglage du chauffe-eau pour une température trop basse.

Modifier le réglage. Faire tourner le bouton de réglage de la température dans le sens horaire (vers la droite).

Note : Ceci suscite une diminution du débit d'activation du chauffe-eau.

2. Débit d'eau excessif à travers le chauffe-eau, compte tenu de sa puissance thermique.

La pression d'alimentation du chauffe-eau peut être trop élevée (60 lb/po<sup>2</sup> maximum pour l'obtention des meilleurs résultats), ou bien il y a eu une érosion du venturi par une eau acide. Inspecter le venturi. (pièce no 39, Fig. 19, page 20).

3. Puissance thermique insuffisante, imputable à une pression de gaz insuffisante. Pour un chauffe-eau instantané, sans réservoir d'accumulation, il est extrêmement important que la canalisation de gaz soit correctement dimensionnée pour l'obtention de la pression de gaz correcte.

Voir les spécifications à la page 14, Tableau 1. À la différence d'un chauffe-eau à accumulation, il faut que le brûleur d'un chauffe-eau sans réservoir d'accumulation manifeste une puissance thermique suffisante pour chauffer instantanément l'eau, car il ne chauffe que l'eau qui est effectivement utilisée. Il est par conséquent impératif que la pression d'arrivée du gaz corresponde exactement à la valeur spécifiée. Une pression de gaz insuffisante affecte directement la température de l'eau produite lors de l'utilisation. Voir la page 14 au sujet du réglage de la pression du gaz, et la figure 11 au sujet de la mesure de la pression du gaz.

4. Puissance thermique insuffisante, imputable à un débit de gaz insuffisant.

Vérifier que le robinet d'arrêt de la canalisation de gaz principale est complètement ouvert. Dans le cas de l'alimentation au propane, vérifier que la bouteille de propane peut fournir un débit adéquat sous la pression spécifiée.

5. Mélange d'eau froide avec l'eau chaude entre le chauffe-eau Bosch et le point de puisage.

Comparer la température de l'eau à la sortie du chauffe-eau Bosch (placer la main sur le tuyau de sortie) et au niveau du robinet de puisage. S'il semble y avoir une différence de température importante, inspecter le robinet mixeur ou rechercher une permutation des canalisations (voir PAS D'ÉTINCELLES POUR LA FLAMME DE VEILLE - paragraphe 4).

Si le code local a exigé l'installation d'un limiteur de débit automatique (anti-brûlure), réduire la température de réglage du chauffe-eau autant que possible et équilibrer les pressions entre les canalisations d'eau chaude et d'eau froide en aval du chauffe-eau.

6. Pièces corrodées dans la vanne manométrique; l'orifice de passage du gaz ne s'ouvre pas complètement.  
 Contacter un technicien qualifié, ou téléphoner au 1-800-663-8405 (Canada), ou 1-800-824-7337 (É.-U.).

### FLUCTUATION DE LA TEMPÉRATURE DE L'EAU

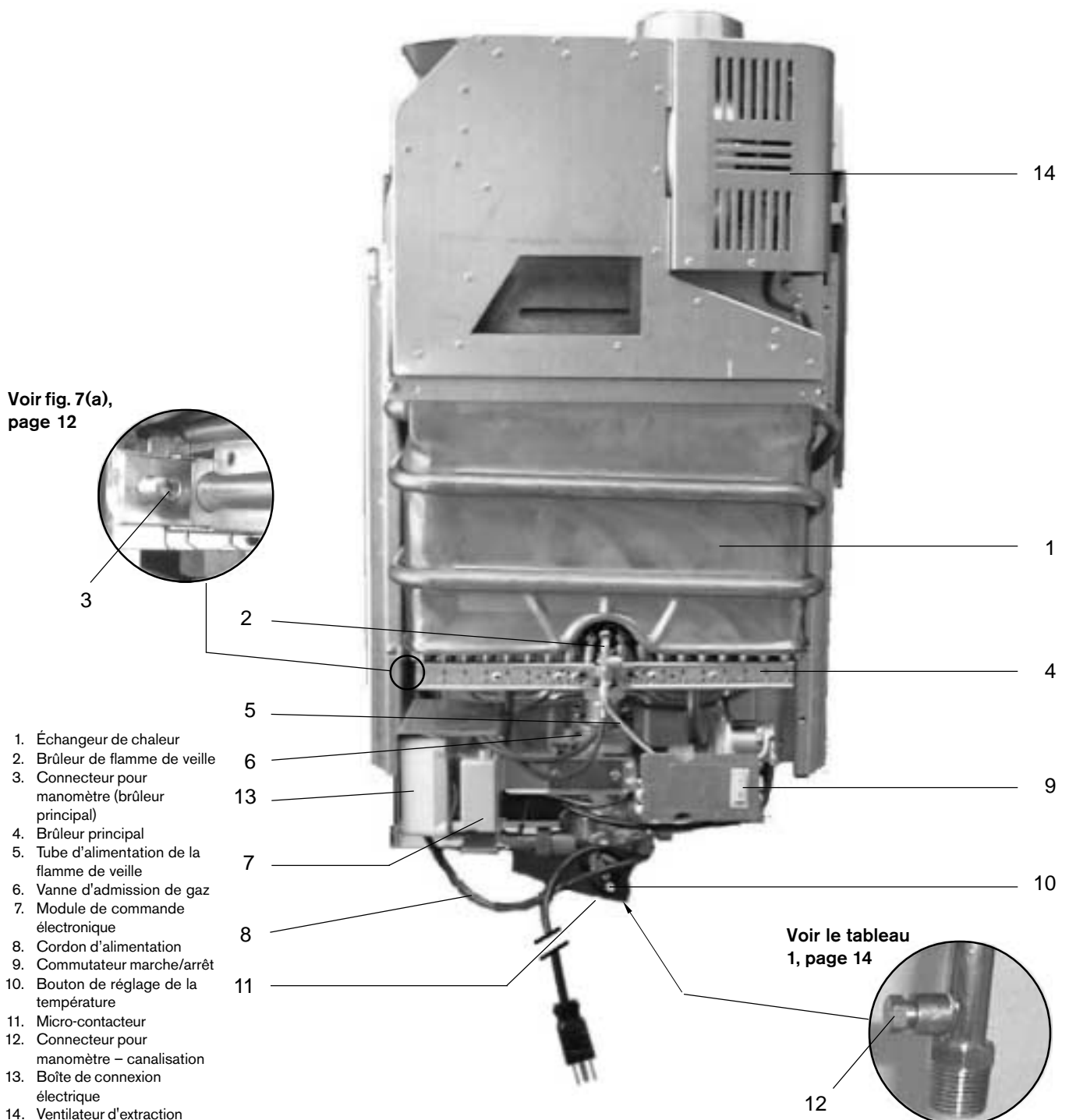
1. Déséquilibre des pressions entre les canalisations d'eau.  
 La perte de charge introduite par le chauffe-eau Bosch dans le circuit d'eau chaude peut susciter un déséquilibre des pressions entre les circuits d'eau chaude et d'eau froide. Dans ce cas, lors du mélange d'eau froide et d'eau chaude au niveau du robinet de puisage, la canalisation d'eau chaude peut être exposée à une rétropression excessive provenant de la canalisation d'eau froide, ce qui provoque l'extinction du brûleur du chauffe-eau. Vérifier l'absence de dépôts minéraux et souillures dans les aérateurs des robinets et pommes de douche. **Ne pas ajouter un dispositif de restriction du débit au circuit d'une douche.**

2. Mélange d'eau froide avec l'eau chaude entre le chauffe-eau Bosch et le point de puisage.  
 Voir le paragraphe 4 «PAS D'ÉTINCELLES POUR LA FLAMME DE VEILLE».

3. Pression d'eau erratique à l'entrée – pression d'arrivée insuffisante, ou fonctionnement incorrect du régulateur de pression du système de distribution d'eau (alimentation à partir d'un puits).  
 Déterminer la pression d'eau à l'entrée du chauffe-eau. Dans le cas de l'alimentation à partir d'un puits, établir la pression d'alimentation à au moins 40 lb/po<sup>2</sup>. Vérifier que le réservoir pressurisé associé à la pompe d'alimentation n'est pas excessivement rempli d'air.

4. Pression de gaz insuffisante.  
 Voir les spécifications à la page 14.

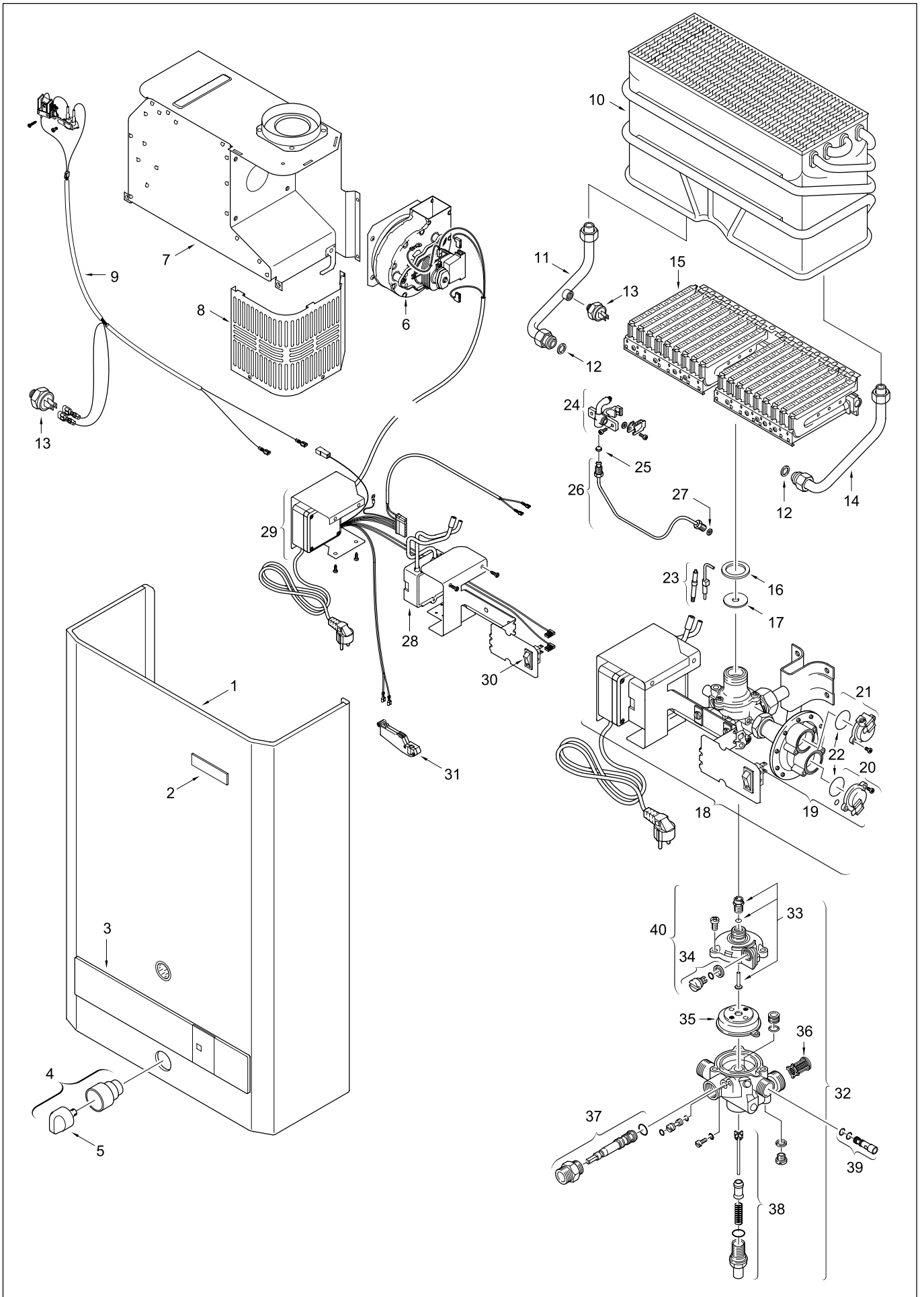
Fig. 17 - Chauffe-eau WR430-3K



**Fig. 18**  
**COMPOSANTS INTERNES DU CHAUFFE-EAU WR 430**  
**ET LISTE DES PIÈCES**

1	Capot avant	8 705 421 255
2	Décalque Bosch	8 701 103 050
3	Garniture de plastique	8 705 506 451
4	Dispositif de réglage de la température (complet)	8 702 000 219
5	Bouton de réglage de la température	8 702 000 111
6	Ventilateur d'extraction	8 707 204 023
7	Défecteur	8 705 505 451
8	Carter du ventilateur	8 701 302 164
9	Dispositif de sécurité – circuit de décharge	8 707 206 185
10	Échangeur de chaleur	8 705 406 235
11	Tuyau d'eau chaude	8 700 705 556
12	Joint	8 710 103 045
13	Thermostat de sécurité	8 707 206 040
14	Tuyau d'eau froide	8 700 705 294
15	Brûleur principal	8 708 120 298 GN 8 708 120 296 PROP
16	Joint pour brûleur	8 710 103 060
17	Disque limiteur de débit	8 700 100 189 PROP seulement
18	Vanne d'admission de gaz	8 707 011 811 GN 8 707 011 812 PROP
19	Commutateur à diaphragme	8 708 504 021 GN 8 708 504 049 PROP
20	Électrovanne principale	8 708 501 250
21	Électrovanne – flamme de veille	8 708 501 249
22	Joint torique	8 700 205 120
23	Dispositif d'allumage électronique	8 718 107 067
24	Brûleur – flamme de veille	8 708 105 337 GN 8 708 105 491 PROP
25	Gicleur – flamme de veille	8 708 200 069 GN 8 708 200 312 PROP
26	Tube d'alimentation – flamme de veille	8 700 707 349
27	Joint	8 700 103 173
28	Module de commande électronique	8 707 207 011
29	Module de commande électrique	8 707 101 021
30	Commutateur marche/arrêt	8 707 200 014
31	Micro-contacteur	8 707 200 007
32	Vanne manométrique	8 707 002 534
33	Ensemble de réparation - vanne manométrique	8 703 406 178
34	Dispositif de retard d'allumage	8 708 503 063
35	Diaphragme	8 700 503 053
36	Filtre - arrivée d'eau	8 700 507 045
37	Vis de sélection	8 708 500 251
38	Régulateur volumétrique (débit eau)	8 707 402 015
39	Venturi	8 708 205 249
40	Couvercle complet – vanne manométrique	8 705 500 076

Fig. 19 - COMPOSANTS INTERNES ET LISTE DES PIÈCES







**ASTRAVAN DISTRIBUTORS, LTD.**  
123 Charles Street  
North Vancouver, BC. V7H 1S1

Téléphone (Canada): (604) 929-5488  
Téléphone (USA): (206) 860-8448  
Site Internet: [www.astravan.com](http://www.astravan.com)



## Free Manuals Download Website

<http://myh66.com>

<http://usermanuals.us>

<http://www.somanuals.com>

<http://www.4manuals.cc>

<http://www.manual-lib.com>

<http://www.404manual.com>

<http://www.luxmanual.com>

<http://aubethermostatmanual.com>

Golf course search by state

<http://golfingnear.com>

Email search by domain

<http://emailbydomain.com>

Auto manuals search

<http://auto.somanuals.com>

TV manuals search

<http://tv.somanuals.com>