

Indoor Minidome Wall and Pipe Mounts

VDA-WMT/PMT-AIDome



BOSCH

en Installation manual

1 Safety

1.1 Safety precautions

**WARNING!**

Medium risk: Indicates a potentially hazardous situation.
If not avoided, this could result in minor or moderate bodily injury.

**CAUTION!**

Low risk: Indicates a potentially hazardous situation.
If not avoided, this could result in property damage or risk of damage to the unit.

1.2 Important safety instructions

Read, follow, and retain for future reference all of the following safety instructions. Heed all warnings on the unit and in the operating instructions before operating the unit.

1. **Safety check** - Safety checks should be performed upon completion of service or repairs to the unit to ensure proper operating condition.
2. **Installation** - Install in accordance with the manufacturer's instructions and in accordance with applicable local codes.
3. **Attachments, changes or modifications** - Only use attachments/accessories specified by the manufacturer. Any change or modification of the equipment, not expressly approved by Bosch, could void the warranty or, in the case of an authorization agreement, authority to operate the equipment.

1.3 Important notices



Disposal - Your Bosch product was developed and manufactured with high-quality material and components that can be recycled and reused. This symbol means that electronic and electrical appliances, which have reached the end of their working life, must be collected and disposed of separately from household waste material. Separate collecting systems are usually in place for disused electronic and electrical products. Please dispose of these units at an environmentally compatible recycling facility, per *European Directive 2002/96/EC*.

Environmental statement - Bosch has a strong commitment towards the environment. This unit has been designed to respect the environment as much as possible.

**WARNING!**

For a secure installation use stainless steel or zinc plated fasteners.

**CAUTION!**

If these mounts are used outdoors ensure that the equipment they are used with is also suitable for outdoor use.

More information

For more information please contact the nearest Bosch Security Systems location or visit www.boschsecurity.com

2 Unpacking

Unpack carefully and handle the equipment with care. The packaging contains:

- Mount
- Teflon tape
- Anti-seize grease

If equipment has been damaged during shipment, repack it in the original packaging and notify the shipping agent or supplier. The shipping carton is the safest container to transport the unit. Save it for possible future use.

3 Installation

This installation should be made by qualified service personnel and conform to the National Electrical Code and applicable local codes.

3.1 Installing the Wall Mount

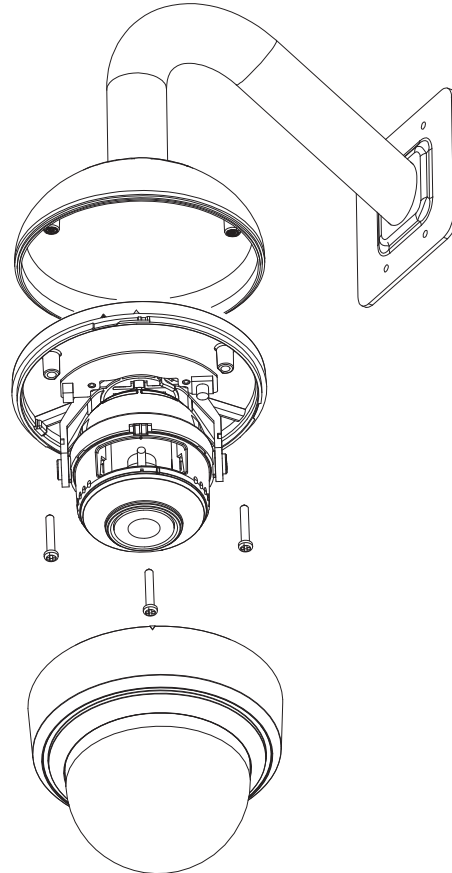


Figure 3.1 Wall Mount installation

1. Determine location for wall mount.
2. Use mount as template to mark location of mount holes on walls.
3. Drill holes for anchors and install anchors into wall.
4. Drill fifth hole into wall and center this hole to align with feed-through tube in mount.
5. Use this hole to pull wires through feed-through tube.
6. Assemble mount to wall.
7. Connect all wires to camera.
8. Pull any excess wire back into mount tube.
9. Assemble camera to mount and fix with three (3) M5 screws (supplied).
10. Install camera dome housing cover.

3.2 Installing the Pendant Pipe Mount

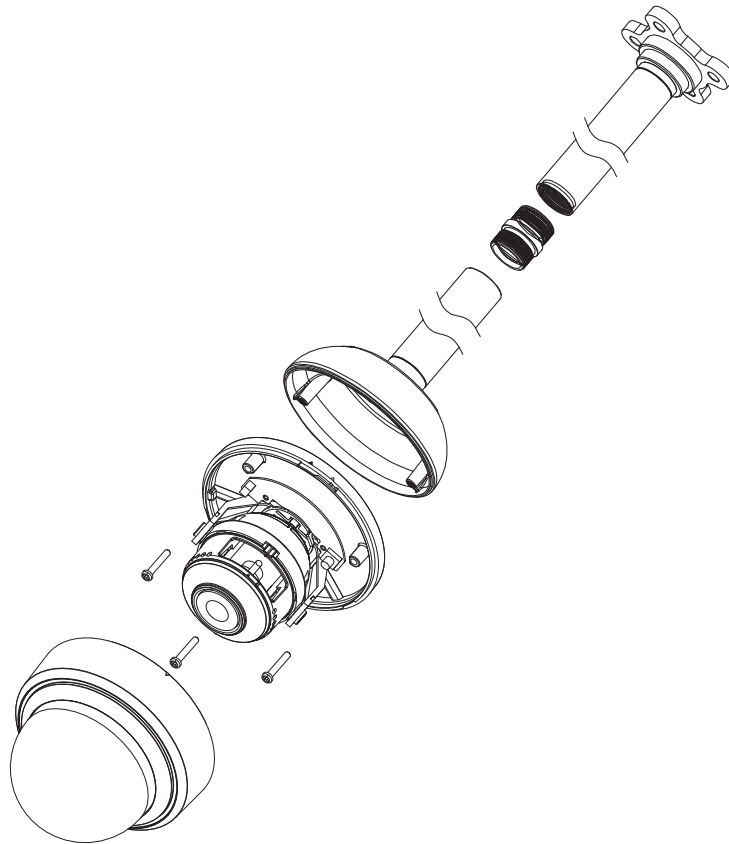


Figure 3.2 Pendant Pipe Mount installation

1. Determine location for pipe mount.
2. Use the four holes in flange as template to mark drill holes in ceiling in which to position secure mount.
3. Drill the four holes into ceiling.
4. Drill fifth hole in center of four-hole pattern to mount flange.
5. Use this hole to feed wires through mount.
6. Assemble flange to pipe and pipe to cap.

Note: Select pipe length of 20 cm (7.9 in.), 30 cm (11.8 in.), or 50.5 cm (20 in.).

7. Pull wires through pipe starting at flange end.
8. Assemble pipe mount to ceiling.
9. Connect all wires to camera.
10. Pull any excess wire back into mount tube.
11. Assemble camera to mount and fix with three (3) M5 screws (supplied).
12. Install camera dome housing cover.

4 Dimensional outlines

The following illustrations depict the dimensional outlines for the wall and pendant pipe mounts.

VDA-WMT-AIDOME

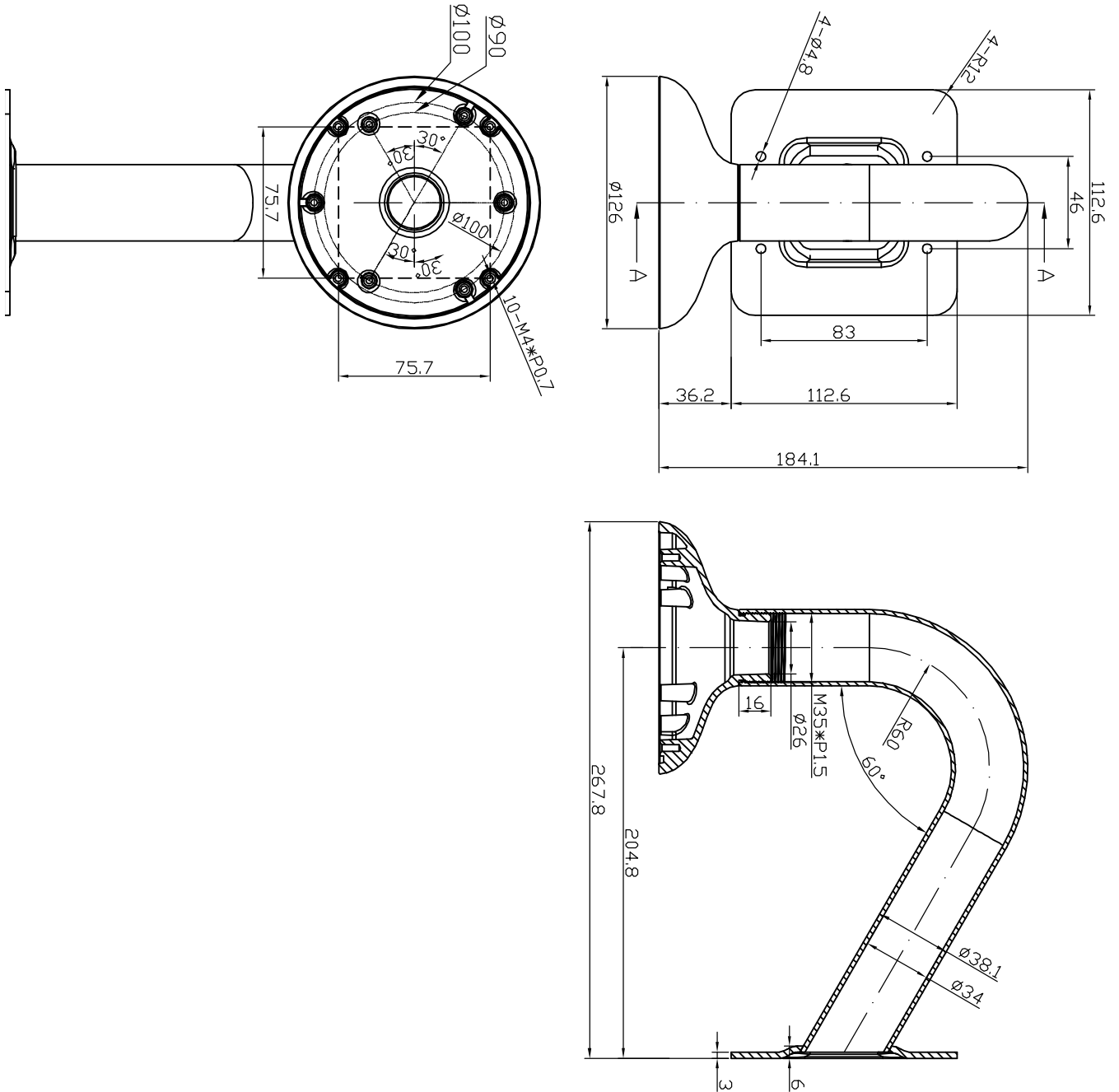


Figure 4.1 Wall mount dimensions

VDA-PMT-AIDOME

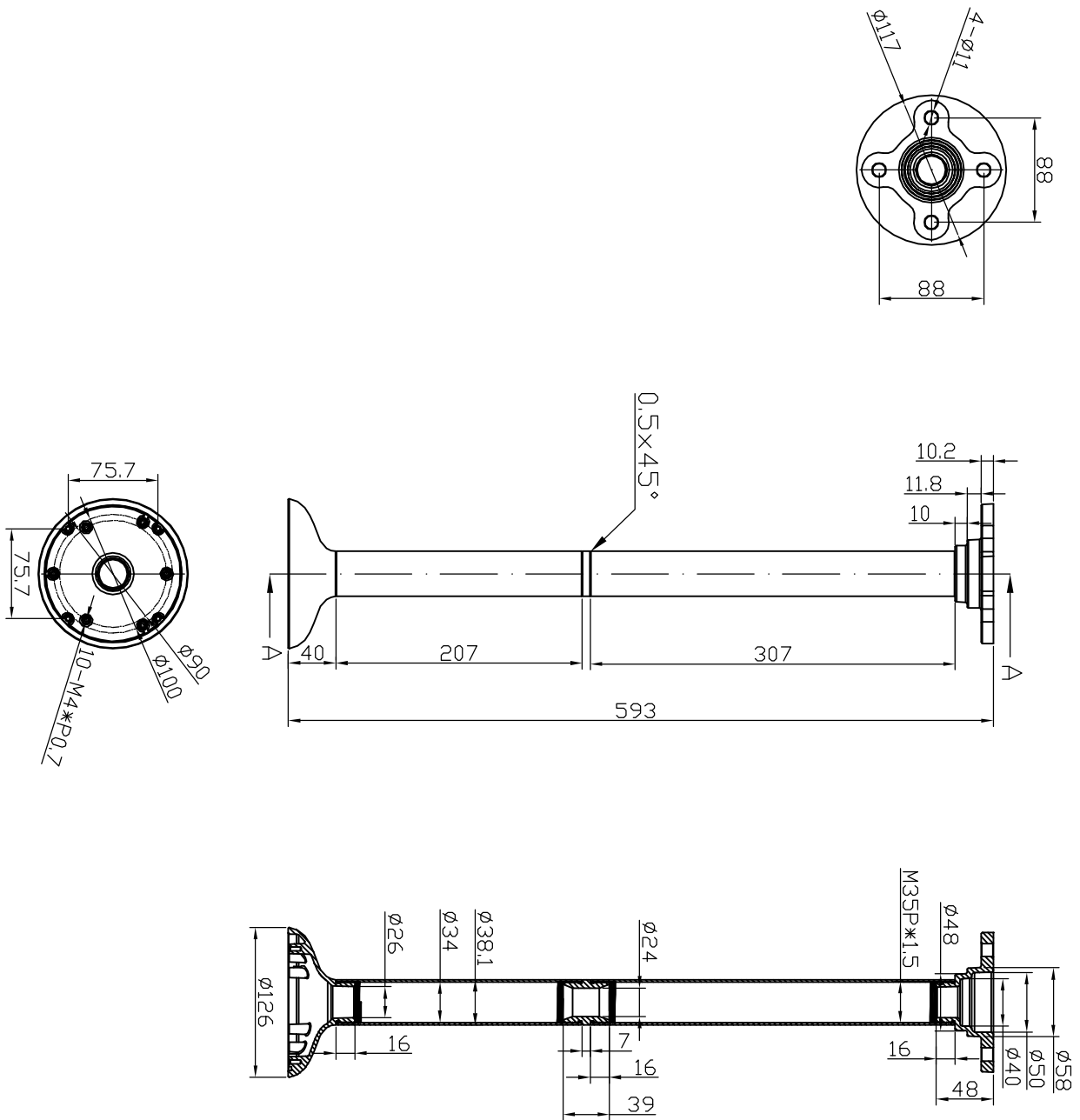


Figure 4.2 Pendant mount dimensions

Bosch Security Systems

www.boschsecurity.com

© Bosch Security Systems, 2012

Free Manuals Download Website

<http://myh66.com>

<http://usermanuals.us>

<http://www.somanuals.com>

<http://www.4manuals.cc>

<http://www.manual-lib.com>

<http://www.404manual.com>

<http://www.luxmanual.com>

<http://aubethermostatmanual.com>

Golf course search by state

<http://golfingnear.com>

Email search by domain

<http://emailbydomain.com>

Auto manuals search

<http://auto.somanuals.com>

TV manuals search

<http://tv.somanuals.com>