

IMPORTANT:
Read Before Using

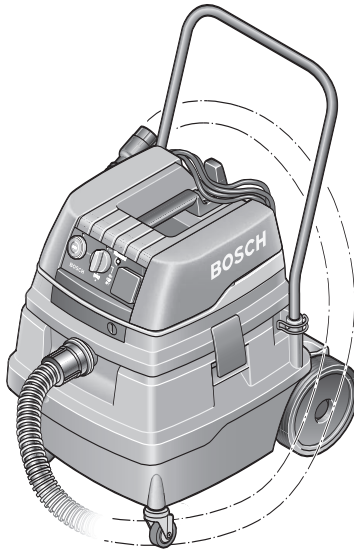
IMPORTANT :
Lire avant usage

IMPORTANTE:
Leer antes de usar



Operating/Safety Instructions
Consignes de fonctionnement/sécurité
Instrucciones de funcionamiento y seguridad

3931A



BOSCH

**Call Toll Free for
Consumer Information
& Service Locations**

**Pour obtenir des informations
et les adresses de nos centres
de service après-vente,
appelez ce numéro gratuit**

**Llame gratis para
obtener información
para el consumidor y
ubicaciones de servicio**

1-877-BOSCH99 (1-877-267-2499) www.boschtools.com

**For English Version
See page 2**

**Version française
Voir page 14**

**Versión en español
Ver la página 26**

General Safety Rules

⚠ WARNING **Read and understand all instructions.** Failure to follow all instructions listed below, may result in electric shock, fire and/or serious personal injury.

SAVE THESE INSTRUCTIONS

Work Area

Keep your work area clean and well lit. Cluttered and dark areas invite accidents.

Do not operate vacuums in explosive atmospheres, such as in the presence of flammable liquids, gases, or dust. Appliances create sparks, which may ignite the dust or fumes.

Keep bystanders, children, and visitors away while operating the vacuum. Do not allow to be used as a toy. Close attention is necessary when used by or near children.

Electrical Safety

This vacuum cleaner intended only for use indoor and for dry or wet pick-up.

The power tool outlet is grounded and the vacuum must be plugged into an outlet properly installed and grounded in accordance with all codes and ordinances. Never remove the grounding prong or modify the plug in any way. Do not use any adapter plugs. Check with a qualified electrician if you are in doubt as to whether the outlet is properly grounded. If the vacuum should electrically malfunction or break down, grounding provides a low resistance path to carry electricity away from the user.

Do not insert objects like paper clips or screwdrivers into power tool outlet. The outlet is live when the vacuum is plugged into power source and switch is set to power tool activation mode or filter cleaning mode. Electric shock may occur.

Avoid body contact with grounded surfaces such as pipes, radiators, ranges and refrigerators. There is an increased risk of electric shock if your body is grounded. If operating the vacuum in damp locations is unavoidable; a Ground Fault Circuit Interrupter must be used to supply the power to your vacuum. Electrician's rubber gloves and footwear will further enhance your personal safety.

Don't expose vacuum to rain or wet conditions. This vacuum can be used for picking up non-flammable liquids but it is not

intended to be immersed or submerged in a fluid. Electric shock may occur.

Do not handle plug or appliance with wet hands. Electric shock may occur.

Do not abuse the cord. Never use the cord to carry the vacuum, pull the vacuum or yank the plug from an outlet. Keep cord away from heat, oil, sharp edges or moving parts. Replace damaged cords immediately. Don't drive over it or close a door on it. Damaged cords increase the risk of electric shock.

When operating a vacuum outside, use an outdoor extension cord marked "W-A" or "W". These cords are rated for outdoor use and reduce the risk of electric shock. Refer to Recommended sizes of Extension Cords in the Accessory section of this manual.

Personal Safety and Vacuum Use

Stay alert, watch what you are doing and use common sense when operating a vacuum. Do not use vacuum while tired or under the influence of drugs, alcohol, or medication. A moment of inattention while operating vacuum may result in serious personal injury.

Avoid accidental starting. Be sure vacuum and tool switches are OFF before plugging in or putting vacuum switch into power tool activation mode or filter cleaning mode. Do not keep power tool plugged into the vacuum cleaner's power tool outlet during normal vacuuming. Plugging in vacuums or tools that have the switch ON invites accidents.

Do not overreach. Keep proper footing and balance both for you and the vacuum at all times. Use extra care when cleaning on stairs. Proper footing and balance enables better control of the vacuum in unexpected situations.

Do not vacuum burning, smoking or smoldering things like cigarettes, matches or hot ashes. Fire inside the vacuum tank may occur.

Do not use to vacuum flammable liquids, alcohol, gases, or explosive dusts, like

gasoline or other fuels, lighter fluid, varnish, polyurethane coatings, cleaners, oil-based paints, natural gas, hydrogen, coal dust, magnesium dust, grain dust, or gun powder. Electric motors create sparks which may ignite the dust or fumes.

Dress properly. Do not wear loose clothing or jewelry. Contain long hair. Keep your hair, clothing, and gloves away from moving parts. Loose clothes, jewelry, or long hair can be caught in moving parts, hose, and suction nozzles. Keep handles dry, clean and free from oil and grease.

Do not hold the hose against any body parts during operation.

Use safety equipment. Always wear eye and hearing protection. Dust mask, non-skid safety shoes, hard hat, or hearing protection must be used for appropriate conditions.

⚠ WARNING This product contains chemicals, including lead, known to the State of California to cause cancer, and birth defects or other reproductive harm. **Wash hands after handling.**

Not suitable to vacuum hazardous or toxic substances or dusts e.g. asbestos. The filters will not be able to capture all particles and may exhaust them back into the environment.

Vacuum Cleaner Safety Rules

Vacuum Care

Do not use vacuum if switch does not turn it ON or OFF. Any vacuum that cannot be controlled with the switch is dangerous and must be repaired.

Disconnect the plug from the power source before making any adjustments, changing accessories, or storing the vacuum. Such preventive safety measures reduce the risk of starting the vacuum accidentally.

⚠ WARNING When using the Power Broker™ feature, the combination of the tool and vacuum current draw must not exceed the rating of the branch circuit the vacuum is plugged into. Exceeding the branch circuit rating could cause the vacuum and branch circuitry to overheat, presenting a risk of fire.

Do not vacuum dust when liquid/fluid is contained in the vacuum tank. Do not vacuum liquids/fluids when dust is in the tank. In either case empty the tank and/or remove dust bag before use so that dust does not cake and harden inside the tank.

Dry filters completely after wet vacuuming or use a second dry filter set for dust vacuuming. Damp or wet filters will cake with dust or develop mold or mildew.

Store idle vacuum out of reach of children and other untrained persons. Vacuums are dangerous in the hands of untrained users.

Maintain vacuum with care. Properly maintain vacuum to keep hose

unobstructed. Do not put any object into openings. Do not use with any opening blocked; keep free of dust, lint, hair and anything that may reduce air flow. Any alteration or modification is a misuse and may result in a dangerous condition.

Check for misalignment or binding of moving parts, breakage of parts, and any other condition that may affect the vacuums operation. If damaged, have the vacuum serviced before using. Poorly maintained vacuums cause many accidents. Develop a periodic maintenance schedule for your vacuum.

Use only accessories that are recommended by the manufacturer for your model. Accessories that may be suitable for one vacuum may become hazardous when used on another vacuum.

Service

Only qualified repair personnel must perform vacuum service. Service or maintenance performed by unqualified personnel could result in a risk of injury. For example: internal wires may be misplaced or pinched.

When servicing a vacuum, use only identical replacement parts. Follow instructions in the Maintenance section of this manual. Use of unauthorized parts or failure to follow the Maintenance Instructions may create a risk of electric shock or injury. Certain cleaning agents such as gasoline, carbon tetrachloride, ammonia, etc. may damage plastic parts.

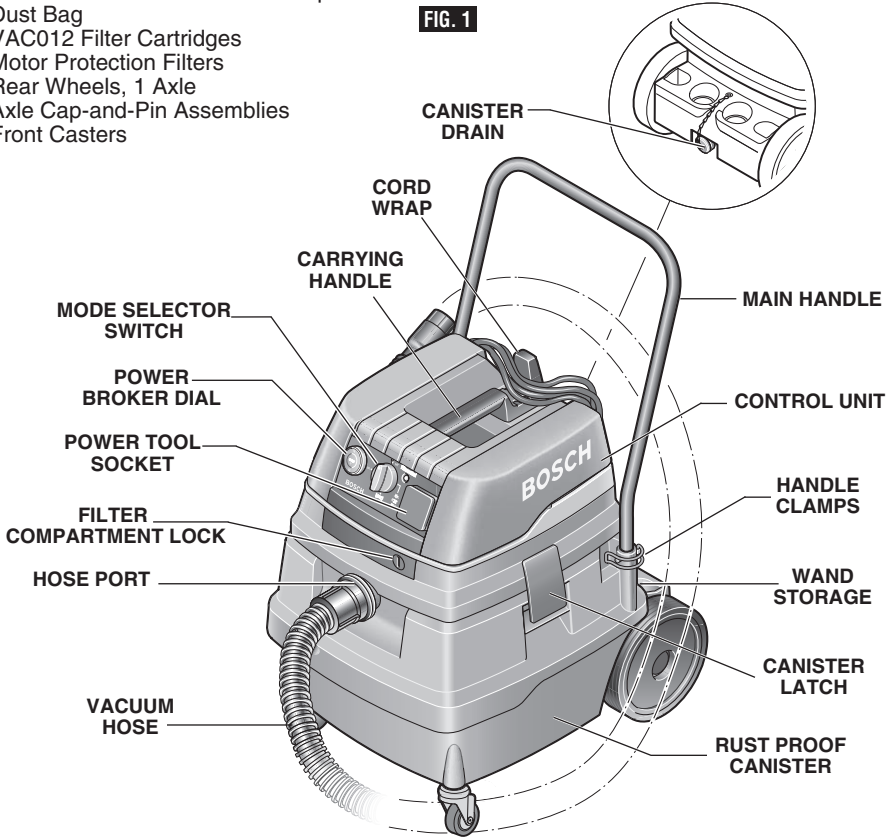
Functional Description and Specifications

WARNING Disconnect the plug from the power source before making any assembly, adjustments or changing accessories. Such preventive safety measures reduce the risk of starting the tool accidentally.

All-Purpose Vacuum Cleaner

Standard Equipment:

- 1 35 mm Vacuum Hose (stored in canister)
- 1 Main Handle and 2 Handle Clamps
- 1 Dust Bag
- 2 VAC012 Filter Cartridges
- 2 Motor Protection Filters
- 2 Rear Wheels, 1 Axle
- 2 Axle Cap-and-Pin Assemblies
- 2 Front Casters



Specifications:

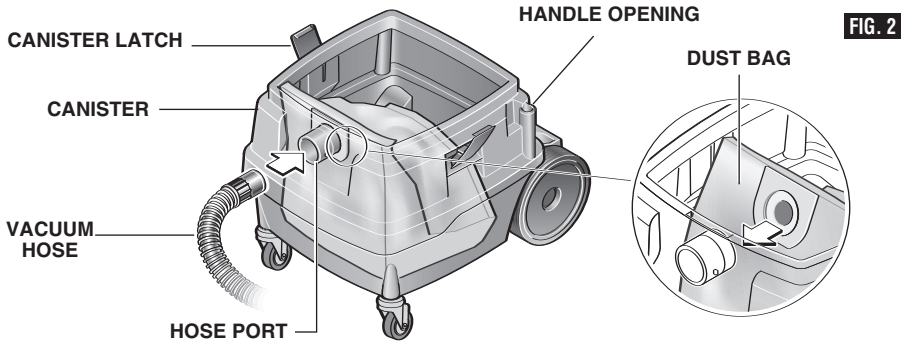
Part number	0 601 989 161
Voltage	120V
Frequency	60 Hz
Rated Power of Vacuum Cleaner	
No Power Tool Connected	11.1 Amps
Power Tool Connected.....	11.1 to 4.8 Amps
Maximum Power Tool Amp Draw.....	15 Amps (on 20-Amp Circuit)*
.....	10 Amps (on 15-Amp Circuit)*
.....	*Depending on Power Broker™ setting

Canister Volume (gross)	13.3 gal. (50 ltr.)
Canister Volume wet (net)	11.35 gal. (45 ltr.)
Canister Volume dry (net)	11.35 gal. (45 ltr.)
Dust Bag Volume (net).....	5.5 gal. (21 ltr.)
Air Flow*	130 CFM (61 ltr./sec.)
Static Water Lift*	100 in.
Vacuum Suction Pressure*	248 millibars
Filter Cartridge Type	(BIA) M
Filter Cartridge Surface Area (Ea.).....	4300 cm ²
Number of Filter Cartridges.....	2
Total Filter Surface Area	8600 cm ²
Dust Retention	99.93%
Sound Pressure Level.....	69 dB (A)**
Weight w/o Main Handle	39 lbs. (17.7 kg)
Weight w/ Main Handle	42.2 lbs. (19.2 kg)
Cord Length	25 feet
Hose Length.....	9.84' (3 meter)

* Measured at the blower.

** The typical A-weighted sound pressure level of the product is 69 dB (A), which is determined at 1.60 m height and 1 m distance according to IEC 704-1.

Assembly & Preparation

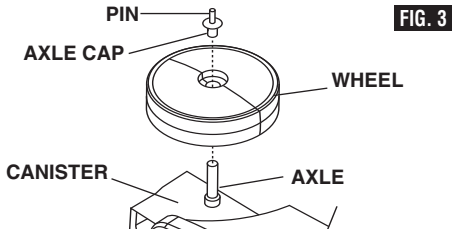


When unpacking, make sure that all of the standard equipment is present and that there is no transportation damage.

Before performing any work on the machine itself, disconnect the power plug.

ATTACHING THE REAR WHEELS

1. Place one axle cap-and-pin assembly onto end of axle.
2. Hammer pin into cap until the top of the pin is flush with the top of the cap.
3. Slide one wheel onto the axle, slide axle through the canister, then slide second wheel onto axle as shown in figure 3.



4. Turn canister on its side.
5. Place second axle cap-and-pin assembly onto end open of axle.
6. Hammer pin into cap until the top of the pin is flush with the top of the cap.

ASSEMBLING THE MAIN HANDLE

The vacuum cleaner can be moved easily with the main handle. Always move the unit using both hands. Insert the handle into the two openings and fasten with the two handle clamps.

ATTACHING THE VACUUM HOSE

Connect the 35-mm vacuum hose (standard equipment) onto the 3931A's hose port by sliding the wider end of the hose onto the port then turning it to the right slightly to lock it in place.

The 35-mm hose can be connected to optional accessories, including the Bosch VAC011 wand kit and the dust extraction hoods on various power tools and accessories, including those on Bosch router, planer, grinder, sander, jigsaw, and hammer/drill tools and accessories.

The 3931A's hose port also accept many other vacuum hoses, including most 1-1/4" hoses, 1-1/2" hoses, 2-1/2" hoses and other Bosch hoses. (See Accessories, page 12 & 13)

INSTALLING THE DUST BAG

When dry-vacuuming such materials as dust from drywall, plaster, cement, soot, and flour, a dust bag should be inserted.

Even when vacuuming other dry materials, using a dust bag extends the amount of time the unit operates at high performance and extends the amount of time it takes for the filter cartridge to become clogged. Using a dust bag also makes waste disposal much easier, eliminating the cloud of dust that is created when the canister contents are poured out, helping to protect you and the environment from exposure to the unwanted particles and debris.

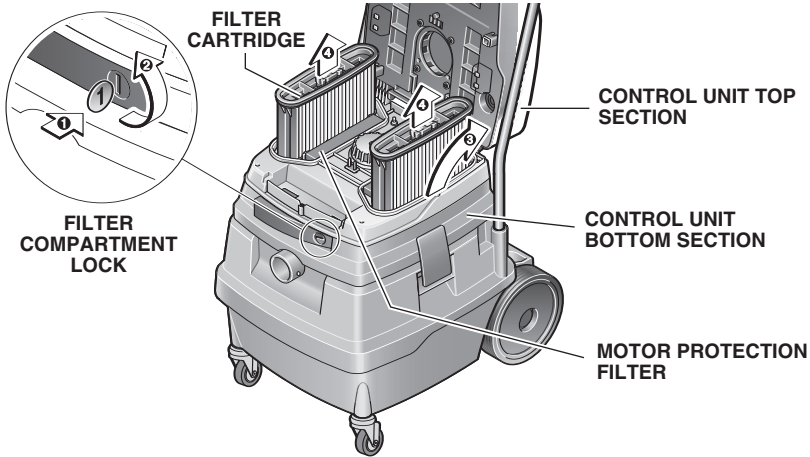
Notes:

- VAC013 bags should not be used when wet vacuuming.
- VAC022 heavy-duty wet/dry bags can be used when vacuuming wet materials. It is ideally suited for slurry-suction applications.
- The filter cartridges must be installed, even when using a bag.

To install the bag:

1. Unlock the canister latches and remove the control unit.

FIG. 4



2. Grasp a new dust bag at the flange. Push it over the bottom of the connection piece first and then over the catch on the top of the connection piece. Make sure that the full length of the dust bag faces against the inner wall of the canister (Fig. 2).
3. Re-attach the control unit.
4. Lock the canister latches.

REMOVING THE DUST BAG

1. Unlock the canister latches and remove the control unit.
2. Pull the dust bag away from and off of the connection piece.
3. Close the opening in the dust bag by folding down the lid
4. Remove bag and dispose of properly.

REMOVING THE FILTER CARTRIDGES

1. First, clean the filters by setting the mode selector switch to the PULSE-CLEAN™ mode, which takes only 10 seconds.
2. To open the filter access compartment, use a coin to rotate the filter compartment lock by 1/4 turn in the direction of the arrow and push the lock in.
3. Lift up the top section of the control unit.
4. Grasp the filter cartridge by the fins, pull up and remove.

Replace a damaged filter cartridge immediately.

THOROUGH CLEANING OF THE FILTER CARTRIDGES

If necessary, the filter cartridges can also be cleaned with a soft brush and can also be washed with water.

REPLACING THE FILTER CARTRIDGES

1. Insert new or cleaned filter cartridge and ensure firm seating.

2. Lower the top section down again.
3. With slight pressure from the top of the control unit, the filter compartment lock will snap back again.

CLEANING THE MOTOR PROTECTION FILTERS

The motor protection filters are mostly maintenance-free. If the motor filters are dirty, it may indicate that the filter cartridges are damaged and need to be replaced. If the motor filters need cleaning, take out the motor protection filters from time to time and wash them. Allow them to dry thoroughly before reinserting.

REMOVING THE MOTOR PROTECTION FILTERS

1. To open the filter access compartment, use a coin to rotate the lock by 1/4 turn in the direction of the arrow and push the lock in.
2. Lift up the top section.
3. Grasp the filter, pull up and remove.

REPLACING THE MOTOR PROTECTION FILTERS

(See Figure 4.)

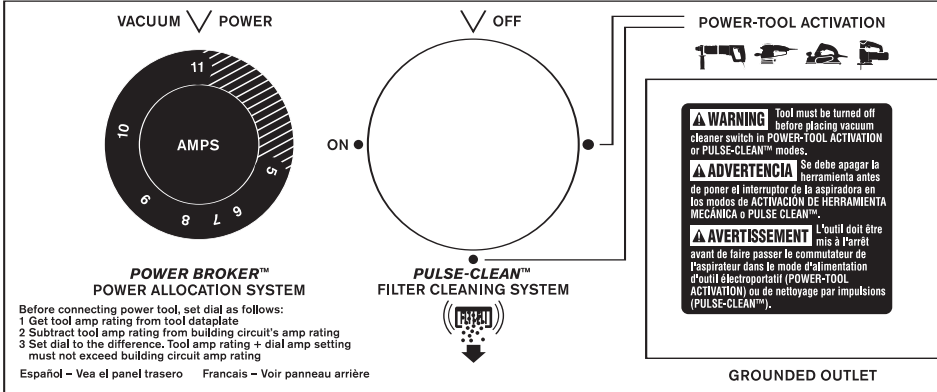
1. Insert clean motor protection filters and ensure firm seating.
2. Lower the top section.
3. With slight pressure from the top of the control unit, the filter compartment lock will snap back again.

WAND STORAGE

The wands from the optional VAC011 wand kit can be stored in the recesses at the bottom of the rear of the container. See Figure 1.

Operating Instructions

FIG. 5



The vacuum cleaner has four operating modes:

- Normal Vacuuming Mode
- Power Tool Activation Mode
- Pulse-Clean Filter Cleaning Mode
- Pulse-Clean Filter Cleaning Combined with Power Tool Activation Mode

WARNING Avoid accidental starting. Be sure vacuum and tool switches are OFF before plugging in or putting vacuum switch into power tool activation mode or filter cleaning mode. Do not keep power tool plugged into the vacuum cleaner's power tool outlet during normal vacuuming. Plugging in vacuums or tools that have the switch ON invites accidents.

WARNING Not suitable to vacuum hazardous or toxic substances or dusts e.g. asbestos. Neither the standard VAC012 Filter Cartridges or the optional VAC019 HEPA Filter Cartridges are able to capture all particles and may exhaust them back into the environment.

NORMAL VACUUMING MODE

Switching the Unit On: Set mode selector switch to ON.

Switching the Unit Off: Set mode selector switch to OFF.

POWER TOOL ACTIVATION MODE

In the Power-Tool Activation mode, when the power tool is switched on, the power tool automatically switches on the vacuum cleaner.

POWER BROKER

POWER ALLOCATION FEATURE

The Power Broker feature allows optimal allocation of the power available between the vacuum cleaner and power tool on either 15-Amp or 20-Amp circuits:

Before connecting power tool, set POWER BROKER™ dial as follows:

1. Get tool amp rating from tool dataplate
2. Subtract tool amp rating from building circuit's amp rating
3. Set dial to the difference.

Notes:

- The building's circuit breaker can trip if the combination of power tool amp rating and the dial setting exceed the building circuit's amp rating.
- The dial should be set at 11 amps unless the building circuit's amp rating minus the power tool amp rating setting is less than 11 amps.

- If full vacuum cleaner power is needed with a power tool that draws high amps, it may be necessary to plug the power tool into a separate circuit. However, in this situation, the Power Tool Activation feature cannot be used.

Switching the Vacuum Cleaner ON

1. Make sure the power tool is switched off, and then plug it in.
2. Turn the mode selector switch to POWER TOOL ACTIVATION position.
3. When the power tool is switched on, the power tool automatically switches on the vacuum cleaner.

Switching The Vacuum Cleaner OFF

1. When the power tool is switched off, the vacuum cleaner is switched off.

In order to empty the hose, the vacuum cleaner switches off after a 6 second delay.

PULSE-CLEAN™ FILTER CLEANING

The vacuum cleaner is equipped with the electromagnetic PULSE-CLEAN™ filter cartridge cleaning system, which in 10 seconds allows the unit to self-remove dust that is adhering to the filter cartridges.

Before using the PULSE-CLEAN™ mode, we suggest to advise those in hearing range about the sound of this feature.

PULSE-CLEAN™ MODE

(when no power tool is plugged in)

1. Turn vacuum cleaner dial to PULSE-CLEAN™ setting.
2. The filter cleaning process will be automatically completed within about 10 seconds.
3. After PULSE-CLEAN™ cycle completes itself, the vacuum cleaner will become idle.
4. Switch the vacuum cleaner to the OFF or ON position, as desired.

See PULSE-CLEAN™ notes below.

PULSE-CLEAN™ MODE COMBINED WITH POWER TOOL ACTIVATION

The PULSE-CLEAN™ system can also be used when a power tool is connected and used with the "POWER TOOL ACTIVATION MODE". This is very handy when the location of vacuum cleaner is separated from the connected power tool, such as when the tool is being used up on a scaffold.

1. Make sure the power tool is switched off, and then plug it in.

2. Plug the power tool into the vacuum cleaner's power tool outlet.

3. Turn the vacuum cleaner dial to PULSE-CLEAN™ setting.

4. The vacuum cleaner goes into the PULSE-CLEAN™ mode for 10 seconds.

5. After PULSE-CLEAN™ mode is completed, switch on the power tool, and the vacuum cleaner will operate until the power tool is switched off or disconnected from the vacuum cleaner.

6. At the time the tool is switched off, the vacuum cleaner will automatically determine if the filter needs to be cleaned. If it determines that cleaning is necessary, the PULSE-CLEAN™ system automatically activates, the cleaning process will be completed within about 10 seconds.

7. After PULSE-CLEAN™ cycle completes itself, the vacuum cleaner will become idle.

8. Switch the vacuum cleaner OFF, or to continue working, switch the power tool on again.

9. If power tool is switched on before the PULSE-CLEAN™ cycle is complete, PULSE-CLEAN™ automatically stops and vacuum cleaner starts to vacuum.

PULSE-CLEAN™ Notes:

- The sound of the PULSE-CLEAN™ system may surprise those near the work area. Before using PULSE-CLEAN™, alert those in the vicinity of the vacuum cleaner of this feature and the associated sound it makes.
- Do not keep power tool plugged into vacuum during normal vacuum cleaning mode, because any connected power tool will receive power when vacuum cleaner is moved from normal vacuum cleaning mode to PULSE-CLEAN mode.
- The PULSE-CLEAN™ system must be activated when the suction power decreases to the point of being insufficient.
- The PULSE-CLEAN™ system should be activated regularly to keep the filter cartridges clean. The proper frequency for activating the PULSE-CLEAN™ system depends on the type and amount of dust. With regular usage, the maximum vacuuming performance is maintained longer.

WET VACUUMING

Your 3931A can also be used for wet vacuuming.

⚠ WARNING Do not use to vacuum flammable liquids, gases, or explosive dusts, like gasoline or other fuels, lighter fluid, varnish, polyurethane coatings, cleaners, oil-based paints, natural gas, hydrogen, coal dust, magnesium dust, grain dust, or gun powder. Electric motors create sparks, which may ignite the dust or fumes.

1. Before wet vacuuming, run the vacuum in the PULSE-CLEAN™ mode.
2. Empty the canister to prevent encrustation when wet vacuuming. If bag is in canister, remove it as well.

Notes:

- Empty the canister before wet vacuuming.
- Do not use a VAC013 dust bag when wet vacuuming. If a bag is to be used when vacuuming wet material, a VAC022 heavy-duty bag must be used.
- Wet/dry dust: If VAC013 bag is in the canister, remove it as well. (VAC022 bag can remain in canister.)
- The filter cartridge must be used when wet vacuuming.
- Do not activate the PULSE-CLEAN™ mode when the contents of the vacuum cleaner are wet.
- The unit is equipped with water level sensors. The unit switches off when the maximum filling height is reached. The unit still has power, but will not operate. The unit must be first switched off before it can be switched on again.
- When the unit is shut off, some water may flow out of the hose.
- To prevent siphoning or spillage, lift the suction hose out of the liquid before draining the vacuum cleaner.
- Before opening and emptying, move the switch to the OFF position.
- Before opening and emptying, always disconnect the vacuum cord from the power supply.
- In order to avoid mildew, after wet vacuuming, remove the VAC022 bag (if

one is installed) and remove both filter cartridges and allow them to dry thoroughly. Dry the filter and canister thoroughly so that dust cannot adhere to moist parts. Also remove the control unit and allow it to dry, too.

- Use a dry filter for subsequent dry vacuuming. We suggest purchasing extra filter cartridges when frequently alternating between wet and dry vacuuming and swap them out as appropriate.

Clean the canister and accessories with water. Wipe the top section with a moist cloth.

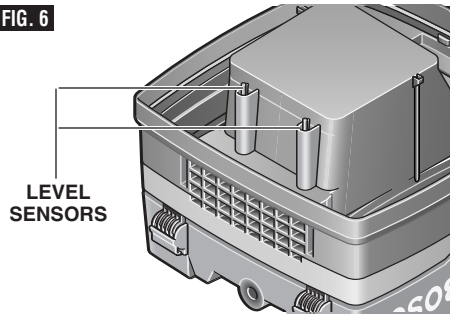
WATER-LEVEL SENSOR MAINTENANCE

Clean the water level sensors occasionally:

See Figure 6.

1. Unlock the canister latches and remove the control unit.
2. Clean the water level sensors with a soft cloth.
3. Reattach the control unit again
4. Lock the canister latches.

FIG. 6



EMPTYING THE CANISTER

1. Switch the unit off.
2. Disconnect from the power supply.
3. Open the canister latches.
4. Remove control unit.
5. Remove the paper filter bag; dump out the canister, or drain out the canister as appropriate.

CANISTER MAINTENANCE

Wipe out the canister from time to time with a commercially available, non-scouring cleaning agent and allow to dry.

Maintenance

Service

⚠ WARNING Preventive maintenance performed by unauthorized personnel may result in misplacing of internal wires and components which could cause serious hazard. We recommend that all tool service be performed by a Bosch Factory Service Center or Authorized Bosch Service Station.

TOOL LUBRICATION

Your Bosch tool has been properly lubricated and is ready to use.

Cleaning

⚠ WARNING To avoid accidents always disconnect the tool from

the power supply before cleaning or performing any maintenance. The tool may be cleaned most effectively with compressed dry air. **Always wear safety goggles when cleaning tools with compressed air.**

Ventilation openings and switch levers must be kept clean and free of foreign matter. Do not attempt to clean by inserting pointed objects through openings.

⚠ CAUTION Certain cleaning agents and solvents damage plastic parts. Some of these are: gasoline, carbon tetrachloride, chlorinated cleaning solvents, ammonia and household detergents that contain ammonia.

Accessories

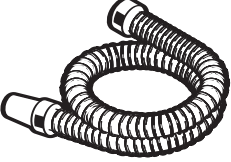

⚠ WARNING If an extension cord is necessary, a cord with adequate size conductors that is capable of carrying the current necessary for your tool must be used. This will prevent excessive voltage drop, loss of power or overheating. Grounded tools must use 3-wire extension cords that have 3-prong plugs and receptacles.

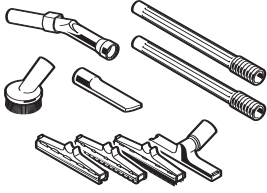
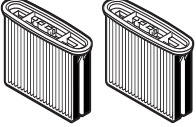

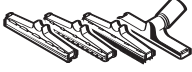


NOTE: The smaller the gauge number, the heavier the cord.

The length of the vacuum cleaner cord must be included in calculating the total length of cord.

RECOMMENDED SIZES OF EXTENSION CORDS 120 VOLT ALTERNATING CURRENT TOOLS

Tool's Ampere Rating	Cord Size in A.W.G.				Wire Sizes in mm ²			
	Cord Length in Feet				Cord Length in Meters			
	25	50	100	150	15	30	60	120
3-6	18	16	16	14	0.75	0.75	1.5	2.5
6-8	18	16	14	12	0.75	1.0	2.5	4.0
8-10	18	16	14	12	0.75	1.0	2.5	4.0
10-12	16	16	14	12	1.0	2.5	4.0	—
12-16	14	12	—	—	—	—	—	—

BOSCH VACUUM HOSES & ADAPTERS		
Various vacuum hoses and adapters are available as optional accessories.		
	VAC001	19mm Airsweep Vacuum Hose - 15ft. with Standard 2-1/4" Vacuum Cleaner Attachment
	VAC005	35 mm friction-fit Vacuum Hose - 5 Meter with Standard 2-1/4" Vacuum Cleaner Attachment
	VAC006	35mm Vacuum Hose - 5 Meter
	VAC007	Anti static 35mm Vacuum Hose - 3 Meters
	VAC008	Anti static 35mm Vacuum Hose - 5 Meters
	VAC009	Anti static 19mm Airsweep Vacuum Hose - 3 Meters
	VAC010	Anti static 19mm Airsweep Vacuum Hose - 5 Meters
	VAC021	35 mm Vacuum Hose - 3 Meter
<p>Notes: 19mm hoses connect to ports on various Bosch hammer, sander, and jigsaw accessories. 35mm hoses connect to the VAC011 Wand & Nozzle Kit, as well as ports on various Bosch router, planer, grinder, circular saw, jigsaw, sander and hammer/drill tools and accessories, and many competitor products. VAC006-VAC021 have has Bosch locking-collar vacuum cleaner attachment system.</p> <p>Other Compatible Vacuum Hoses: In addition, most common 1-1/4", 1-1/2", and 2-1/2" friction-fit vacuum hoses will also connect directly to the 3931A's hose port.</p>		
	VAC003	Hose Adapter - Connects 35mm hose to tool port sized for 1-1/4" hoses
	VAC004	Hose Adapter - Connects 35mm hose to tool port sized for 2-1/2" hoses
	VAC020	Hose Adapter - Connects 2-1/2" hose to wands, nozzles and tool ports sized for 35 mm hoses.

OTHER ACCESSORIES		
	VAC011	Wand & Nozzle Kit
	VAC012 VAC019	Filter Cartridge (Pack of 2) HEPA Filter Cartridge (Pack of 2)
	VAC013 VAC022	Dust Bag (Pack of 5) Heavy-Duty Wet/Dry Dust Bags (Pack of 3)
(not shown)	VAC014	Wire Basket for Accessories
(not shown)	VAC015	Universal Floor Nozzle
	VAC016	Floor Nozzle Set
	VAC017	Crevice Tool
	VAC018	Brush

Consignes générales de sécurité

⚠ AVERTISSEMENT

Veillez lire et comprendre toutes les consignes. Si on n'observe pas toutes les consignes décrites ci-dessous, il y a risque de choc électrique, d'incendie et/ou de blessures corporelles graves.

CONSERVEZ CES CONSIGNES

Aire de travail

- Maintenez l'aire de travail propre et bien éclairée.** Les risques d'accident sont plus élevés quand on travaille dans un endroit encombré ou sombre.
- N'utilisez pas d'aspirateurs dans des atmosphères explosives, comme par exemple en présence de gaz, poussières ou liquides inflammables.** Les appareils produisent des étincelles qui risquent d'enflammer les poussières ou les vapeurs.
- Éloignez les curieux, les enfants et les visiteurs quand vous servez d'un aspirateur.** Un aspirateur n'est pas un jouet et ne doit pas être utilisé comme tel. Il faut être très attentif quand des enfants se trouvent à proximité ou l'utilisent.

Sécurité électrique

Cet aspirateur a été conçu exclusivement pour aspirer des déchets secs ou humides à l'intérieur.

La prise pour outil électroportatif est munie d'une mise à la terre, par conséquent l'aspirateur doit être branché sur une prise correctement installée et reliée à la terre selon tous les règlements et décrets en vigueur. Ne démontez jamais la broche de mise à la terre, ne modifiez jamais la fiche. N'utilisez pas d'adaptateur de prise. Renseignez-vous auprès d'un électricien qualifié si vous avez des doutes quant à la mise à la terre correcte de la prise. Si l'aspirateur venait à présenter un défaut électrique ou une avarie, la mise à la terre présente un passage de faible résistance qui canalise le courant et l'éloigne de l'utilisateur.

N'enfoncez pas d'objets tels que trombones ou tournevis dans la prise pour outil électroportatif. La prise est sous tension quand l'aspirateur est branché sur une alimentation électrique et que l'interrupteur est soit sur le mode d'alimentation d'outil électroportatif, soit sur le mode de nettoyage du filtre. Il y a risque de choc électrique.

Évitez tout contact de votre corps avec des surfaces reliées à la terre tels que tuyaux, radiateurs, gazinières ou réfrigérateurs. Le risque de choc électrique augmente si votre corps est relié à la terre. Si vous ne pouvez pas éviter d'utiliser l'aspirateur dans des endroits humides, vous devez avoir un disjoncteur différentiel de détection de défaut de masse dans le circuit d'alimentation de votre aspirateur. Vous améliorerez votre sécurité personnelle si vous portez des gants et des chaussures d'électricien en caoutchouc.

N'exposez pas l'aspirateur à la pluie ou à des conditions humides. Cet aspirateur peut être utilisé pour aspirer des liquides ininflammables mais il n'est pas conçu pour être trempé ou immergé dans un liquide. Il y a risque de choc électrique.

Ne manipulez pas la fiche ni l'appareil avec les mains mouillées. Il y a risque de choc électrique.

Ne maltraitez pas le cordon. Ne vous en servez jamais pour transporter l'aspirateur, pour le tirer ou pour arracher la fiche de la prise. Éloignez le cordon de la chaleur, des huiles, des arêtes coupantes ou des pièces mobiles. Remplacez immédiatement tout cordon abîmé. Ne roulez pas dessus, ne le pincez pas dans une porte. Les cordons abîmés augmentent les risques de choc électrique.

Si vous utilisez un aspirateur à l'extérieur, utilisez une rallonge pour usages extérieurs repérée 'W-A' ou 'W'. Ces rallonges sont faites pour être utilisées à l'extérieur et réduisent le risque d'électrocution. Consultez le chapitre 'accessoires' de ce mode d'emploi pour les tailles de rallonges électriques recommandées.

Sécurité personnelle et utilisation de l'aspirateur

Restez concentré, faites attention à ce que vous faites, et servez-vous de votre bon sens lorsque vous utilisez un aspirateur. N'utilisez pas l'aspirateur quand vous êtes fatigué ou sous l'emprise de drogues, d'alcool ou de médicaments. Quand on utilise un aspirateur, un moment d'inattention est suffisant pour causer des blessures corporelles graves.

Évitez les démarrages intempestifs. Assurez-vous que l'interrupteur de l'aspirateur et celui de l'outil sont en position arrêt (OFF) avant de brancher l'aspirateur ou de mettre l'interrupteur de l'aspirateur en mode d'alimentation d'outil électroportatif ou en mode de nettoyage des filtres. Ne laissez pas l'outil électroportatif branché sur la prise de l'aspirateur quand vous servez de ce dernier pour aspirer normalement. Brancher des aspirateurs ou des outils avec l'interrupteur en position « marche » (ON) présente des risques d'accident.

Ne vous penchez pas. Conservez toujours une bonne assiette et un bon équilibre pour vous-même et pour l'aspirateur. Soyez particulièrement prudent quand vous passez l'aspirateur dans un escalier. Une bonne assise et un bon équilibre permettent un meilleur contrôle de l'aspirateur dans des situations inattendues.

N'aspirez pas d'objets en feu, émettant de la fumée ou rougeoyant tels que cigarettes, allumettes ou cendres chaudes. Il y a risque qu'un incendie se déclare dans le réservoir de l'aspirateur.

N'utilisez pas l'aspirateur pour aspirer des liquides inflammables, de l'alcool, des gaz ou des poussières explosives telles que de l'essence ou autres carburants, de l'essence à briquet, du vernis, de

l'enduit polyuréthane, des nettoyants, des peintures à base d'huile, du gaz naturel, de l'hydrogène, de la poussière de charbon, de la poussière de magnésium, de la poussière de grain ou de la poudre à canon. Les moteurs électriques produisent des étincelles qui risquent d'enflammer la poussière ou les fumées.

Habilitez-vous de manière appropriée. Ne portez pas de vêtements amples ou de bijoux. Attachez les cheveux longs. N'approchez pas les cheveux, les vêtements ou les gants des pièces en mouvement. Les vêtements amples, les bijoux ou les cheveux longs risquent d'être happés par les pièces en mouvement ou d'être aspirés par les tuyaux ou les buses d'aspiration. Maintenez les poignées sèches, propres et exemptes d'huile et de graisse.

N'appuyez pas le tuyau contre votre corps pendant l'utilisation

Utilisez des équipements de sécurité. Portez toujours une protection oculaire et auditive. Si les conditions le demandent, il faut porter un masque à poussière, des chaussures de sécurité antidérapantes, un casque de chantier ou une protection auditive.

⚠ AVERTISSEMENT Ce produit contient des produits chimiques dont du plomb. L'état de Californie a déterminé que ces substances sont cancérigènes ou peuvent causer des anomalies congénitales ou d'autres troubles reproductifs. **Lavez-vous les mains après utilisation.**

Ne convient pas à l'aspiration de substances ou poussières toxiques ou dangereuses comme l'amiante par exemple. Les filtres ne sont pas conçus pour bloquer toutes les particules et risquent de les rejeter dans l'atmosphère.

Consignes de sécurité pour les aspirateurs

Entretien de l'aspirateur

N'utilisez pas l'aspirateur si l'interrupteur ne peut le mettre en marche ni l'arrêter. Un aspirateur qui ne répond pas à la commande de l'interrupteur est dangereux et doit être réparé.

Débranchez l'aspirateur avant tout réglage, changement d'accessoire ou avant de ranger. De telles mesures de prévention réduisent le risque de démarrage intempestif de l'aspirateur.

⚠ AVERTISSEMENT Lorsque vous êtes dans le mode Power Broker™, la consommation de courant combinée de l'outil et de l'aspirateur ne doit pas dépasser la charge nominale du circuit de dérivation dans lequel l'aspirateur est branché. Tout dépassement de la charge nominale du circuit de dérivation risquerait d'entraîner la surchauffe de l'aspirateur et du circuit, ce qui pourrait causer un risque d'incendie.

N'aspirez pas de poussière quand il y a un liquide ou un fluide dans le réservoir de l'aspirateur. N'aspirez pas de liquides ou de fluides quand il y a de la poussière dans le réservoir. Dans les deux cas, videz le réservoir ou enlevez le sac à poussière avant usage pour éviter que la poussière ne s'agglutine et ne durcisse dans le réservoir.

Séchez les filtres complètement après avoir aspiré un liquide ou utilisez un jeu de filtres secs de rechange pour aspirer des poussières. La poussière tend à s'agglutiner sur les filtres mouillés ou humides et à les boucher et ils risquent aussi de moisir.

Rangez l'aspirateur hors de portée des enfants ou autres personnes inexpérimentées quand vous ne l'utilisez pas. Les aspirateurs sont dangereux entre les mains d'utilisateurs inexpérimentés.

Entretenez l'aspirateur avec soin. Entretenez-le correctement pour éviter que le tuyau ne se bouche.

Ne placez aucun objet dans les orifices. N'utilisez pas l'aspirateur si un des orifices est bloqué; dégagez-les de toute poussière, peluche, cheveux ou tout autre objet qui risque de réduire le débit d'air. Tout changement ou modification de l'appareil constitue une mauvaise utilisation et risque de résulter en une situation dangereuse.

Vérifiez que les pièces mobiles sont alignées et qu'elles ne coïncent pas. Vérifiez qu'aucune pièce n'est cassée, et que rien d'autre ne risque d'affecter le fonctionnement de l'aspirateur. Si l'aspirateur est abîmé, faites-le réparer avant de l'utiliser. Les aspirateurs mal entretenus causent de nombreux accidents. Développez un calendrier d'entretien périodique pour votre aspirateur.

N'utilisez que des accessoires qui sont recommandés par le fabricant de votre modèle. Les accessoires qui conviennent à un aspirateur donné peuvent présenter un danger s'ils sont utilisés avec un autre aspirateur.

Entretien

Seul les personnels d'entretien qualifiés sont habilités à effectuer l'entretien de l'aspirateur. Tout service ou entretien effectué par une personne non qualifiée peut résulter en un risque de blessure. Par exemple : les fils internes peuvent être mal placés ou pincés.

Lors de l'entretien d'un aspirateur, utilisez exclusivement des pièces de rechange identiques. Suivez les instructions se trouvant au chapitre « Entretien » de ce mode d'emploi. Si vous utilisez des pièces non agréées ou si vous n'observez pas les instructions d'entretien, il se peut que vous causiez un risque de choc électrique ou de blessure. Certains produits de nettoyage tels que l'essence, le tétrachlorure de carbone, l'ammoniaque, etc. risquent d'endommager les pièces plastiques.

Description fonctionnelle et caractéristiques



AVERTISSEMENT

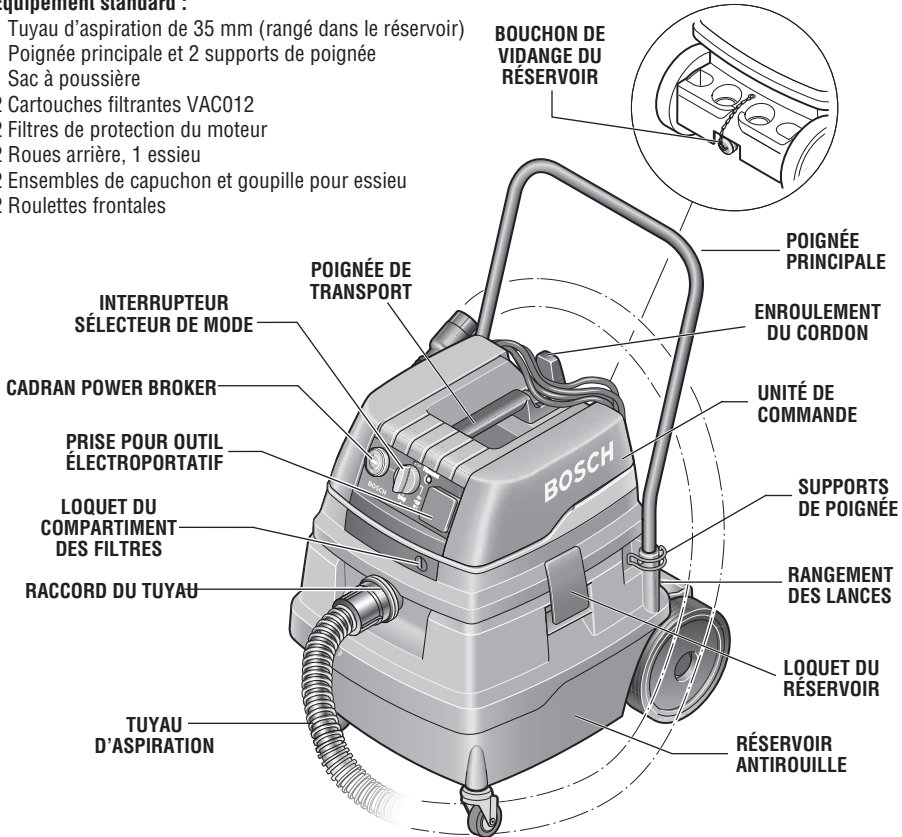
Débranchez l'aspirateur avant tout assemblage, réglage ou changement d'accessoire. De telles mesures de prévention réduisent le risque de démarrage intempestif de l'outil.

Aspirateur tous-usages

FIG. 1

Équipement standard :

- 1 Tuyau d'aspiration de 35 mm (rangé dans le réservoir)
- 1 Poignée principale et 2 supports de poignée
- 1 Sac à poussière
- 2 Cartouches filtrantes VAC012
- 2 Filtres de protection du moteur
- 2 Roues arrière, 1 essieu
- 2 Ensembles de capuchon et goupille pour essieu
- 2 Roulettes frontales



Caractéristiques :

Numéro de pièce	0 601 989 161
Tension.....	120 V
Fréquence.....	60 Hz
Intensité nominale de l'aspirateur	
Sans outil électroportatif branché.....	11,1 A
Avec outil électroportatif branché.....	11,1 à 4,8 A
Consommation maximum de courant	15 A (sur un circuit de 20 A)*
l'outil électroportatif	10 A (sur un circuit de 15 A)*
.....	*Selon le réglage de la fonction d'alimentation
.....	dans le mode Power Broker™

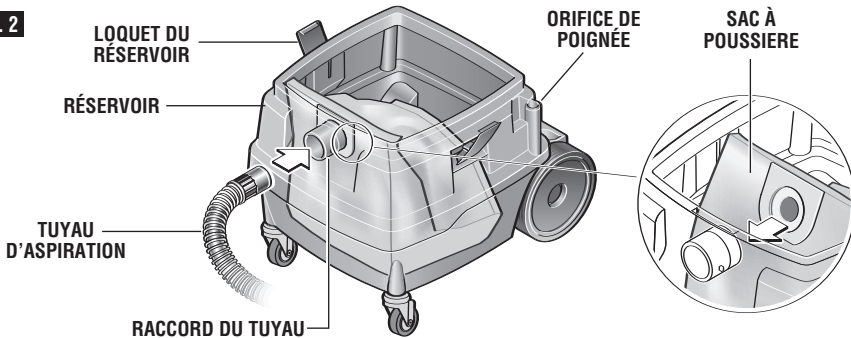
Volume du réservoir (brut).....	13,3 gal. (50 L)
Volume du réservoir (liquides) (net).....	11,35 gal. (45 L)
Volume du réservoir (solides) (net).....	11,35 gal. (45 L)
Volume du sac à poussière (net).....	5,5 gal. (21 L)
Débit d'air*.....	130 CFM (61 L/sec.)
Hauteur d'eau aspirée (statique)*.....	100 po
Pression d'aspiration*.....	248 millibars
Type de cartouche filtrante.....	(BIA) M
Superficie de chaque cartouche filtrante.....	4 300 cm ²
Nombre de cartouches filtrantes.....	2
Superficie totale filtrante.....	8 600 cm ²
Retenue des poussières.....	99.93%
Niveau de pression sonore.....	69 dB (A)**
Poids sans la poignée principale.....	39 livres (17,7 kg)
Poids avec poignée principale.....	42,2 livres (19,2 kg)
Longueur du cordon.....	25 pieds
Longueur du tuyau.....	9,84 pieds (3 mètres)

* Mesuré côté soufflage

** La pression sonore typique (suivant courbe de pondération A) du produit est de 69 dB (A), mesuré à 1,60 m de haut et à 1 m de distance selon la norme CEI 704-1.

Assemblage & Préparation

FIG. 2



Lors du déballage, assurez-vous que tout l'équipement standard est présent et qu'il n'y a pas de dégâts dus au transport.

Avant d'effectuer tous travaux sur la machine, débranchez-la.

MONTAGE DES ROUES ARRIÈRES

1. Placez un ensemble de capuchon et goupille sur une des extrémités de l'essieu.
2. Enfoncez la goupille au marteau dans le capuchon pour l'amener à ras de celui-ci.
3. Glissez une roue sur l'essieu, glissez l'essieu dans le trou du réservoir et ensuite glissez la deuxième roue sur l'essieu comme indiqué à la figure 3.

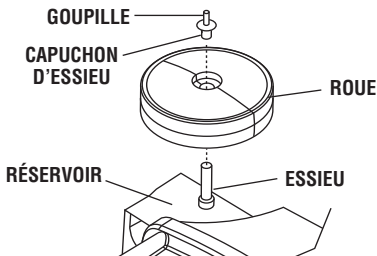


FIG. 3

4. Tournez le réservoir sur le côté.
5. Placez l'autre ensemble de capuchon et goupille sur l'extrémité nue de l'essieu.
6. Enfoncez la goupille au marteau dans le capuchon pour l'amener à ras de celui-ci.

MONTAGE DE LA POIGNÉE PRINCIPALE

L'aspirateur est facile à déplacer grâce à sa poignée principale. Déplacez-le toujours à deux mains. Enfoncez la poignée dans les deux orifices et fixez-la à l'aide des deux supports de poignée

MONTAGE DU TUYAU D'ASPIRATION

Branchez le tuyau d'aspiration de 35 mm (équipement standard) sur le raccord d'aspiration du modèle 3931A en glissant le gros embout du tuyau sur le raccord et en le tournant ensuite légèrement vers la droite pour le bloquer.

Le tuyau de 35 mm peut être raccordé à des accessoires en option, parmi lesquels le kit de lances Bosch VAC011 ainsi que les capuchons d'extraction de poussière sur divers outils électroportatifs et accessoires, y compris les défonceuses, rabots, meules, ponceuses, scies à chantourner et marteaux perforateurs, et d'autres outils et accessoires Bosch.

Le raccord d'aspiration du 3931A permet également de raccorder de nombreux autres tuyaux d'aspiration, parmi lesquels la plupart des tuyaux de 1-1/4 po, 1-1/2 po, 2-1/2 po ainsi que d'autres tuyaux Bosch (voir accessoires page 24 et 25)

INSTALLATION DU SAC A POUSSIÈRE

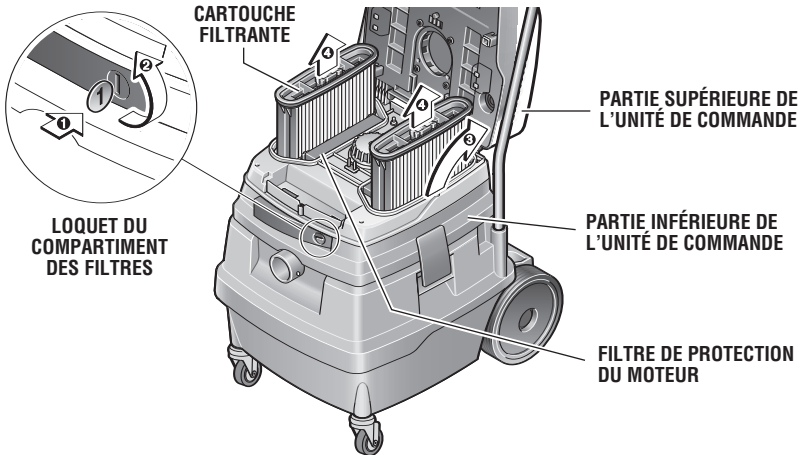
Si vous aspirez des matériaux secs tels que de la poussière de plaques de plâtre, du plâtre, du ciment, de la suie ou de la farine, il convient d'utiliser un sac à poussière.

Même quand vous aspirez d'autres matériaux secs, l'utilisation d'un sac à poussière augmente la durée pendant laquelle l'appareil fonctionne à haute performance et allonge le temps qu'il faut pour que la cartouche filtrante se bouche. L'utilisation d'un sac à poussière facilite aussi considérablement l'élimination des déchets en supprimant le nuage de poussière qui est normalement produit lorsque le contenu du réservoir est retiré. Ceci contribue à vous protéger – ainsi que l'environnement – de l'exposition à toute particule nocive dans les déchets.

Remarque :

- Les sacs VAC013 ne doivent pas être utilisés quand on aspire des liquides.
- Les sacs robustes VAC022 pour aspiration de liquides et de poussières peuvent être utilisés quand on aspire des matériaux humides. Ces sacs sont particulièrement utiles en cas d'aspiration de boues.
- Il faut installer les cartouches filtrantes de l'aspirateur même quand on utilise un sac à poussière.

FIG. 4



Installation du sac :

1. Débloquez les loquets du réservoir et enlevez l'unité de commande.
2. Saisissez un sac neuf par sa collerette, poussez-le d'abord sur le dessous de l'extrémité de la pièce de raccord puis ensuite par-dessus la languette se trouvant sur le dessus de cette même pièce. Assurez-vous que toute la longueur du sac à poussière fait face à la paroi interne du réservoir (Fig. 2).
3. Remontez l'unité de commande.
4. Bloquez les loquets du réservoir.

POUR ENLEVER LE SAC À POUSSIÈRE

1. Débloquez les loquets du réservoir et enlevez l'unité de commande
2. Tirez sur le sac à poussière pour l'ôter de la pièce de raccord.
3. Rabattez le couvercle pour fermer l'orifice du sac à poussière
4. Enlevez le sac et jetez-le proprement.

DÉMONTAGE DES CARTOUCHES FILTRANTES

1. D'abord, nettoyez les filtres en plaçant l'interrupteur sélecteur de mode sur le mode de nettoyage par impulsions PULSE-CLEAN™. Cela prend environ 10 secondes.
2. Ouvrez le compartiment d'accès aux filtres en tournant son loquet d'1/4 tour dans le sens de la flèche à l'aide d'une pièce de monnaie puis en l'enfonçant.
3. Soulevez la partie supérieure de l'unité de commande.
4. Saisissez la cartouche filtrante par ses plis et enlevez-la en tirant dessus.

Si le filtre est endommagé, remplacez-le immédiatement.

NETTOYAGE À FOND DES CARTOUCHES FILTRANTES

Si nécessaire, on peut aussi nettoyer les cartouches filtrantes avec une brosse douce ou les laver à l'eau.

REMPLACEMENT DES CARTOUCHES FILTRANTES

1. Insérez la cartouche filtrante neuve ou propre et assurez-vous qu'elle est bien en place.
2. Rabaissez la partie supérieure de l'unité de commande.
3. Appliquez une légère pression sur le dessus de l'unité de commande. Le loquet du compartiment des filtres reviendra automatiquement à sa position d'origine.

NETTOYAGE DES FILTRES DE PROTECTION DU MOTEUR

Les filtres de protection du moteur ne nécessitent pratiquement pas d'entretien. Si les filtres du moteur sont sales, cela peut indiquer que les cartouches sont endommagées et devraient être remplacées. Si les filtres du moteur ont besoin d'être nettoyés, retirez les filtres de protection du moteur de temps en temps et lavez-les.

DÉMONTAGE DES FILTRES DE PROTECTION DU MOTEUR

1. Ouvrez le compartiment d'accès aux filtres en tournant son loquet d'1/4 tour dans le sens de la flèche à l'aide d'une pièce de monnaie puis en l'enfonçant.
2. Soulevez la partie supérieure de l'unité de commande.
3. Saisissez le filtre et enlevez-le en tirant.

REMPLACEMENT DES FILTRES DE PROTECTION DU MOTEUR

Voir Figure 4.

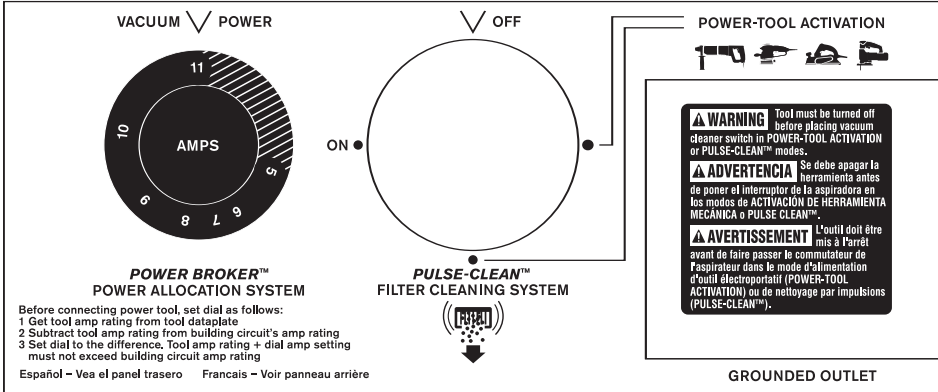
1. Insérez des filtres de protection de moteur propres et assurez-vous qu'ils sont bien à leur place.
2. Rabaissez la partie supérieure de l'unité de commande.
3. Appliquez une légère pression sur le dessus de l'unité de commande. Le loquet du compartiment des filtres reviendra automatiquement à sa position d'origine.

RANGEMENT DES LANCES

Les lances du kit de lances en option VAC011 peuvent être rangées dans les trous prévus à cet effet qui sont situés en bas à l'arrière du réservoir. Voir Figure 1.

Instructions utilisation

FIG. 5



L'aspirateur a quatre modes de fonctionnement :

- Mode d'aspiration normale
- Mode d'alimentation d'outil électroportatif
- Mode de nettoyage des filtres par impulsions
- Mode de nettoyage des filtres par impulsions combiné avec le mode d'alimentation d'outil électroportatif

AVERTISSEMENT Évitez tout démarrage intempestif. Assurez-vous que l'interrupteur de l'aspirateur et celui de l'outil sont sur la position ARRÊT (OFF) avant de les brancher ou avant de mettre l'interrupteur de l'aspirateur en mode d'alimentation d'outil électroportatif ou en mode de nettoyage des filtres. Ne laissez pas l'outil électroportatif branché sur la prise pour outil de l'aspirateur quand vous utilisez ce dernier pour aspirer normalement. Si on branche des aspirateurs ou des outils avec leur interrupteur en position MARCHÉ (ON), on risque un accident.

AVERTISSEMENT Ne convient pas pour aspirer des substances ou des poussières dangereuses ou toxiques telles que l'amiante. Ni les cartouches filtrantes standard VAC012, ni les cartouches filtrantes en option VAC019 à haute efficacité pour les particules de l'air ne sont capables d'aspirer toutes les particules. Elles risquent de les rejeter dans l'environnement ambiant.

MODE D'ASPIRATION NORMALE

Mise en marche de l'appareil : Placez l'interrupteur sélecteur de mode sur MARCHÉ (ON).

Arrêt de l'appareil : Placez l'interrupteur sélecteur de mode sur ARRÊT (OFF).

MODE D'ACTIVATION DE L'OUTIL ÉLECTROPORTATIF

Dans le mode d'activation de l'outil électroportatif, lorsque l'outil électroportatif est mis sous tension, l'outil électroportatif met automatiquement l'aspirateur en service.

MODE D'ALIMENTATION POWER BROKER

Le mode Power Broker permet de répartir l'énergie disponible de façon optimale entre l'aspirateur et l'outil électroportatif, que ce soit sur un circuit de 15 A ou sur un circuit de 20 A :

Avant de raccorder l'outil électroportatif, réglez le cadran POWER BROKER™ de la façon suivante :

1. Consultez la plaque d'identification de l'outil pour déterminer l'intensité nominale de l'outil.
2. Soustrayez l'intensité nominale de l'outil de l'intensité nominale du circuit du bâtiment.
3. Réglez le cadran sur la différence.

Remarques :

- Le disjoncteur du bâtiment risque de se déclencher si la combinaison de l'intensité nominale de l'outil électroportatif et du réglage du cadran dépasse l'intensité nominale du circuit du bâtiment.

- Le cadran doit être réglé sur 11 A - sauf si l'intensité nominale du circuit du bâtiment moins le réglage de l'intensité nominale de l'outil électroportatif est inférieur à 11 A.
- Si toute la puissance de l'aspirateur est requise avec un outil électroportatif qui consomme beaucoup de courant, il peut être nécessaire de brancher l'outil électrostatique dans un circuit séparé. Cependant, dans un tel cas, la fonction d'activation de l'outil électroportatif ne peut pas être utilisée.

Mise en marche de l'aspirateur

1. Assurez-vous que l'outil électroportatif est à l'arrêt, puis branchez-le.
2. Tournez l'interrupteur sélecteur de mode dans la position d'ACTIVATION DE L'OUTIL ÉLECTROPORTATIF (POWER TOOL ACTIVATION).
3. Quand on démarre l'outil électroportatif, l'aspirateur démarre automatiquement.

Arrêt de l'aspirateur

1. Quand on arrête l'outil électroportatif, l'aspirateur s'arrête automatiquement.

Afin de permettre au tuyau de se vider, l'aspirateur ne s'arrête qu'après un délai de 6 secondes.

NETTOYAGE DES FILTRES PAR IMPULSIONS PULSE-CLEAN™

L'aspirateur est muni d'un système électromagnétique de nettoyage des cartouches filtrantes par impulsions PULSE-CLEAN™ qui permet à l'aspirateur d'enlever automatiquement en 10 secondes la poussière qui est collée à la cartouche filtrante.

Avant d'utiliser le mode de nettoyage par impulsions PULSE-CLEAN™, nous vous conseillons d'avertir les personnes se trouvant à proximité du niveau sonore émis par ce système.

MODE DE NETTOYAGE PAR IMPULSIONS PULSE-CLEAN™

(Pas d'outil électroportatif branché)

1. Mettez le sélecteur de l'aspirateur sur la position de nettoyage par impulsions PULSE-CLEAN™.
2. Le nettoyage des filtres sera effectué automatiquement en environ 10 secondes.
3. Quand le cycle de nettoyage par impulsions PULSE-CLEAN™ est terminé, l'aspirateur devient inactif.
4. Mettez l'aspirateur sur la position arrêt (OFF) ou marche (ON) selon ce que vous souhaitez.

Voir les remarques sur le système de nettoyage par impulsions PULSE-CLEAN™ ci-dessous.

MODE DE NETTOYAGE PAR IMPULSIONS PULSE-CLEAN™ COMBINÉ AVEC LE MODE D'ALIMENTATION D'OUTIL ÉLECTROPORTATIF

Le système de nettoyage par impulsions PULSE-CLEAN™ peut également être utilisé quand un outil électroportatif est branché et utilisé dans le « MODE D'ALIMENTATION D'OUTIL ÉLECTROPORTATIF ».

Ceci est très pratique quand l'aspirateur est éloigné de l'outil électroportatif qui lui est raccordé, comme par

exemple quand on utilise l'outil électroportatif sur un échafaudage.

1. Assurez-vous que l'interrupteur de l'outil électroportatif est en position arrêt (OFF) puis branchez-le.
2. Branchez l'outil électroportatif sur la prise pour outil électroportatif de l'aspirateur.
3. Mettez le sélecteur de l'aspirateur à la position de nettoyage par impulsions PULSE-CLEAN™.
4. L'aspirateur passe en mode de nettoyage par impulsions PULSE-CLEAN™ pendant 10 secondes.
5. Quand le mode de nettoyage par impulsions PULSE-CLEAN™ est terminé, mettez l'outil électroportatif en marche et l'aspirateur fonctionnera jusqu'à ce que l'outil électroportatif soit arrêté ou débranché de l'aspirateur.
6. Quand on arrête l'outil, l'aspirateur détermine automatiquement si le filtre a besoin d'être nettoyé. S'il est nécessaire de le nettoyer, le système de nettoyage par impulsions PULSE-CLEAN™ démarre automatiquement et le nettoyage s'effectue pendant 10 secondes.
7. Quand le cycle de nettoyage par impulsions PULSE-CLEAN™ est terminé, l'aspirateur devient inactif.
8. Mettez l'aspirateur sur la position arrêt (OFF) ou si vous désirez continuer de travailler, remettez l'outil électroportatif en marche.
9. Si on démarre l'outil électroportatif avant que le cycle de nettoyage par impulsions PULSE-CLEAN™ soit terminé, le système PULSE-CLEAN™ s'arrête automatiquement et l'aspirateur commence à aspirer.

Remarque concernant le système de nettoyage par impulsions PULSE-CLEAN™ :

- Le bruit émis par le système de nettoyage par impulsions PULSE-CLEAN™ peut éventuellement surprendre les personnes se trouvant à proximité de l'aspirateur. Veuillez les prévenir avant d'utiliser ce système et les avertir du bruit qu'il émet.
- Ne laissez pas l'outil électroportatif branché sur la prise pour aspirateur dans le mode normal d'aspiration parce que tout outil électroportatif connecté restera sous tension pendant que l'aspirateur passera du mode normal d'aspiration au mode PULSE-CLEAN.
- Le système de nettoyage par impulsions PULSE-CLEAN™ doit être utilisé quand la puissance d'aspiration décroît au point où elle devient insuffisante.
- Le système de nettoyage par impulsions PULSE-CLEAN™ doit être utilisé régulièrement pour maintenir la propreté des cartouches filtrantes. La fréquence d'utilisation du système de nettoyage par impulsions PULSE-CLEAN™ dépend du type et de la quantité de poussière. Quand on l'utilise régulièrement, la performance d'aspiration maximale est conservée plus longtemps.

ASPIRATION DE LIQUIDES

Votre modèle 3931A peut également être utilisé pour aspirer des liquides.

⚠ AVERTISSEMENT N'utilisez pas l'aspirateur pour aspirer des liquides inflammables, de l'alcool, des gaz ou des poussières explosives telles que de l'essence ou autres carburants, de l'essence à briquet, du vernis, de l'enduit polyuréthane, des nettoyants, des peintures à base d'huile, du gaz naturel, de l'hydrogène, de la poussière de charbon, de la poussière de magnésium, de la poussière de grain ou de la poudre à canon. Les moteurs électriques produisent des étincelles qui risquent d'enflammer la poussière ou les fumées.

1. Avant d'aspirer un liquide, faites fonctionner l'aspirateur en mode de nettoyage par impulsions PULSE-CLEAN™.
2. Videz le réservoir pour éviter l'encroûtement lors de l'aspiration de liquides. Si un sac se trouve dans le réservoir, enlevez-le également.

Remarques :

- Videz le réservoir avant d'aspirer des liquides.
 - N'utilisez pas un sac à poussière VAC013 quand vous aspirez des liquides. S'il est nécessaire d'utiliser un sac lors de l'aspiration de matériaux humides, il faut utiliser un sac robuste VAC022.
 - Poussières sèches/humides : si un sac VAC013 se trouve dans le réservoir, retirez-le également. (Le sac VAC022 peut rester dans le réservoir.)
 - Utilisez les cartouches filtrantes quand vous aspirez des liquides.
 - N'activez pas le mode de nettoyage par impulsions PULSE-CLEAN™ si l'aspirateur contient du liquide.
 - L'appareil est muni de capteurs de niveau d'eau. Il s'arrête automatiquement quand la hauteur de remplissage maximale est atteinte. L'appareil reste sous tension mais ne fonctionne pas. Il faut mettre l'interrupteur en position arrêt avant de pouvoir redémarrer l'aspirateur.
 - Quand l'appareil s'arrête, il se peut que de l'eau coule du tuyau.
 - Pour empêcher tout effet de siphon ou pour éviter de répandre du liquide, soulevez le tuyau d'aspiration pour le sortir du liquide avant de vider l'aspirateur.
 - Avant d'ouvrir l'aspirateur et de le vider, placez l'interrupteur en position arrêt (OFF).
 - Avant d'ouvrir l'aspirateur et de le vider, débranchez toujours le cordon de l'aspirateur de la prise de courant.
- Pour éviter les moisissures après l'aspiration de liquides ou de matériaux humides, retirez le sac VAC022 (si un tel sac est installé) et retirez les deux cartouches filtrantes, puis laissez-les sécher complètement. Faites sécher le réservoir et les filtres à fond de manière à ce que la poussière ne puisse pas adhérer aux pièces humides. Enlevez également l'unité de commande et laissez-la sécher aussi.
 - Par la suite, utilisez un filtre sec pour aspirer des solides. Nous vous conseillons d'acheter des cartouches filtrantes de rechange si vous alternez fréquemment entre solides et liquides, vous pourrez ainsi les échanger quand vous en aurez besoin.

Nettoyez le réservoir et les accessoires à l'eau. Essuyez la partie supérieure avec un chiffon humide.

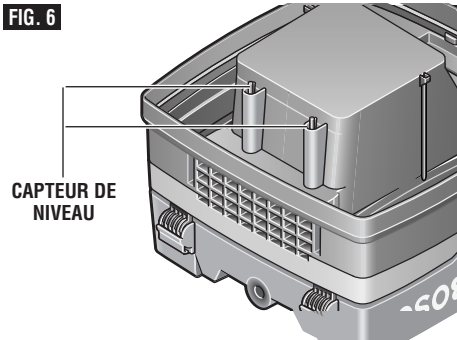
ENTRETIEN DES CAPTEURS DE NIVEAU D'EAU

Nettoyez les capteurs de niveau d'eau de temps en temps :

Voir figure 6.

1. Déverrouillez les loquets du réservoir et enlevez l'unité de commande.
2. Nettoyez les capteurs de niveau d'eau avec un chiffon doux.
3. Remettez l'unité de commande en place.
4. Verrouillez les loquets du réservoir.

FIG. 6



VIDANGE DU RÉSERVOIR

1. Arrêtez l'appareil.
2. Débranchez-le.
3. Ouvrez les loquets du réservoir.
4. Enlevez l'unité de commande.
5. Enlevez le sac filtrant en papier; déversez le contenu du réservoir ou vidangez-le suivant ce qui s'y trouve.

ENTRETIEN DU RÉSERVOIR

Essuyez le réservoir de temps à autres avec un agent de nettoyage non-abrasif du commerce et laissez-le sécher.

Maintenance

Entretien

⚠ AVERTISSEMENT L'entretien préventif effectué par des employés non autorisés peut entraîner un positionnement erroné des composants et des fils internes, et ainsi causer des dangers sévères. Il est recommandé que l'entretien et la réparation de nos outils soient confiés à un centre de service-usine Bosch ou à un centre de service après-vente Bosch agréé.

INDICATEUR D'ENTRETIEN

L'indicateur d'entretien s'allume ou clignote pour signaler que les balais mettront l'outil hors tension dans les prochaines 8 heures environ. Une fois que ce délai est écoulé, le témoin s'éteindra et l'outil ne fonctionnera plus. Il faudra donc confier l'entretien de l'outil à un centre de service.

Nettoyage

⚠ AVERTISSEMENT Pour éviter le risque d'accidents, débranchez toujours l'outil de la prise de courant avant de procéder au nettoyage ou à l'entretien. Vous pouvez très bien le nettoyer à l'air comprimé. **Dans ce cas, portez toujours des lunettes de sécurité.**

Gardez les prises d'air et les interrupteurs propres et libres de débris. N'essayez pas de les nettoyer en introduisant des objets pointus dans leurs ouvertures.

⚠ MISE EN GARDE Certains produits de nettoyage et dissolvants dont la gazoline, le tétrachlorure de carbone, les nettoyeurs chlorés, l'ammoniaque et les détergents ménagers contenant de l'ammoniaque peuvent abîmer les pièces en plastique.

Accessoires

⚠ AVERTISSEMENT Si un cordon de rallonge s'avère nécessaire, vous devez utiliser un cordon avec conducteurs de dimension adéquate pouvant porter le courant nécessaire à votre outil. Ceci préviendra une chute excessive de tension, une perte de courant ou une surchauffe. Les outils mis à la terre doivent utiliser des cordons de rallonge trifilaires pourvus de fiches à trois broches ainsi que des prises à trois broches.

REMARQUE : Plus le calibre est petit, plus le fil est gros.

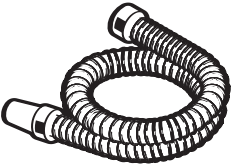

Il faut inclure la longueur du cordon de l'aspirateur dans le calcul de la longueur totale de la rallonge.

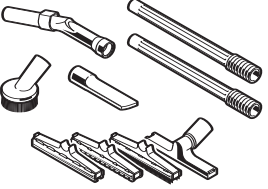
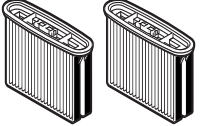




DIMENSIONS DE RALLONGES RECOMMANDÉES OUTILS 120 VOLTS COURANT ALTERNATIF

Intensité nominale de l'outil	Longueur en pieds				Longueur en mètres			
	Calibre A. W. G.				Calibre en mm ²			
	25	50	100	150	15	30	60	120
3-6	18	16	16	14	.75	.75	1.5	2.5
6-8	18	16	14	12	.75	1.0	2.5	4.0
8-10	18	16	14	12	.75	1.0	2.5	4.0
10-12	16	16	14	12	1.0	2.5	4.0	—
12-16	14	12	—	—	—	—	—	—

ADAPTATEURS ET TUYAUX D'ASPIRATION BOSCH

Une variété de tuyaux d'aspiration et d'adaptateurs sont disponibles en option.

	VAC001	Tuyau d'aspiration de 19 mm Airsweep Accessoire pour aspirateur de 2-1/4 po
	VAC005	Tuyau d'aspiration de 35 mm à ajustage par friction – 5 avec accessoire standard pour aspirateur de 2 1/4 po
	VAC006	Tuyau d'aspiration de 35 mm - 5 mètres
	VAC007	Tuyau d'aspiration antistatique de 35 mm – 3 mètres
	VAC008	Tuyau d'aspiration antistatique de 35 mm – 5 mètres
	VAC009	Tuyau d'aspiration antistatique Airsweep de 19 mm – 3 mètres
	VAC010	Tuyau d'aspiration antistatique Airsweep de 19 mm – 5 mètres
	VAC021	Tuyau d'aspiration de 35 mm - 3 mètres
<p>Remarques : les tuyaux de 19 mm se raccordent aux orifices de connexion de divers accessoires de perforateurs, ponceuses et scies sauteuses de Bosch. Les tuyaux de 35 mm se raccordent au kit de lances et de buses VAC011, ainsi qu'aux orifices de connexion de divers outils et accessoires de Bosch (défonceuses, rabots, meules, scies circulaires, scies sauteuses et marteaux perforateurs), et à de nombreux produits d'autres fabricants. Les aspirateurs VAC006-VAC021 sont munis du système de raccordement d'accessoires pour aspirateur avec collet de blocage Bosch.</p> <p>Autres tuyaux d'aspiration compatibles : de plus, la plupart des tuyaux d'aspiration à ajustage par friction de 1 1/4 po, 1 1/2 po et 2 1/2 po peuvent être raccordés directement à l'orifice de connexion de tuyaux du modèle 3931A.</p>		
	VAC003	Adaptateur de tuyau – Pour raccorder un tuyau de 35 mm sur un raccord d'outil prévu pour un tuyau de 1-1/4 po
	VAC004	Adaptateur de tuyau – Pour raccorder un tuyau de 35 mm sur un raccord d'outil prévu pour un tuyau de 2-1/2 po.
	VAC020	Adaptateur de tuyau – Pour raccorder un tuyau de 2 1/2 po à des lances, buses et orifices de connexion d'outils prévus pour des tuyaux de 35 mm.

AUTRES ACCESSOIRES		
	VAC011	Kit de lances et buses
	VAC012 VAC019	Cartouche filtrante (paquet de 2) Cartouche filtrante haute efficacité pour les particules de l'air (paquet de 2)
	VAC013 VAC022	Sac à poussière (paquet de 5) Sacs à poussière robustes pour aspiration de liquides et de poussières (paquet de 3)
(non illustré)	VAC014	Panier en fil de fer pour accessoires
(non illustré)	VAC015	Suceur universel pour les planchers
	VAC016	Jeu de suceurs pour les planchers
	VAC017	Suceur plat
	VAC018	Brosse

Normas generales de seguridad

ADVERTENCIA

Lea y entienda todas las instrucciones. Si no se siguen todas las instrucciones que aparecen a continuación, el resultado podría ser descargas eléctricas, incendio y/o lesiones corporales graves.

GUARDE ESTAS INSTRUCCIONES

Área de trabajo

Mantenga el área de trabajo limpia y bien iluminada. Las áreas desordenadas y oscuras invitan a que se produzcan accidentes.

No utilice aspiradoras en atmósferas explosivas, como las causadas por la presencia de líquidos, gases o polvos inflamables. Los electrodomésticos generan chispas, las cuales pueden incendiar el polvo o los vapores.

Mantenga a las personas que estén presentes, los niños y los visitantes alejados mientras esté utilizando la aspiradora. No permita que la aspiradora se use como un juguete. Es necesario prestar máxima atención cuando la aspiradora sea usada por niños o cuando se utilice cerca de éstos.

Seguridad eléctrica

Esta aspiradora está diseñada solamente para uso en interiores y para recogida de materiales secos o mojados.

El tomacorriente para herramientas mecánicas está conectado a tierra y la aspiradora debe enchufarse en un tomacorriente instalado adecuadamente y conectado a tierra apropiadamente de acuerdo con todos los códigos y ordenanzas. No quite nunca el terminal de conexión a tierra ni modifique el enchufe de ningún modo. No use enchufes adaptadores. Consulte con un electricista calificado si tiene dudas sobre si el tomacorriente está conectado a tierra apropiadamente. Si la aspiradora tiene algún malfuncionamiento eléctrico o se avería, la conexión a tierra proporciona un camino de baja resistencia para llevar la electricidad alejándola del usuario.

No introduzca objetos como sujetapapeles o destornilladores en el tomacorriente para herramientas mecánicas. El tomacorriente tiene electricidad cuando la aspiradora está enchufada en una fuente de energía y el interruptor está colocado en el modo de activación de herramienta mecánica o en el modo de limpieza del filtro. Podrían producirse descargas eléctricas.

Evite el contacto del cuerpo con las superficies conectadas a tierra, como tuberías, radiadores, estufas y refrigeradores. Hay un riesgo mayor de que se produzcan descargas eléctricas si el cuerpo está conectado a tierra. Si la utilización de la aspiradora en lugares húmedos es inevitable, se debe usar un interruptor de circuito accionado por corriente de pérdida a tierra para suministrar la energía a la aspiradora. Los guantes de goma y el calzado de goma de electricista aumentarán más su seguridad personal.

No exponga la aspiradora a la lluvia ni a condiciones mojadas. Esta aspiradora puede utilizarse para recoger líquidos ininflamables, pero no está diseñada para

inmersión o sumersión en un líquido. Podrían producirse descargas eléctricas.

No maneje el enchufe ni el electrodoméstico con las manos mojadas. Podrían producirse descargas eléctricas.

No maltrate el cable de alimentación. No use nunca el cable de alimentación para transportar la aspiradora, tirar de ella o jalar del enchufe para sacarlo de un tomacorriente. Mantenga el cable de alimentación alejado del calor, el aceite, los bordes afilados o las piezas móviles. Reemplace inmediatamente los cables de alimentación dañados. No maneje un vehículo ni cierre una puerta sobre un cable de alimentación. Los cables de alimentación dañados aumentan el riesgo de que se produzcan descargas eléctricas.

Cuando utilice una aspiradora en el exterior, use un cordón de extensión para intemperie marcado con las letras "W-A" o "W". Estos cordones tienen capacidad para uso a la intemperie y reducen el riesgo de que se produzcan descargas eléctricas. Consulte la sección Tamaños recomendados de cordones de extensión que se encuentra en la sección Accesorios de este manual.

Seguridad personal y uso de la aspiradora

Manténgase alerta, fíjese en lo que está haciendo y use el sentido común cuando esté utilizando una aspiradora. No use la aspiradora cuando esté cansado o bajo la influencia de drogas, alcohol o medicamentos. Un momento de distracción mientras esté utilizando una aspiradora puede causar lesiones corporales graves.

Evite el arranque accidental. Asegúrese de que los interruptores de la aspiradora y de la herramienta estén en la posición de APAGADO antes de enchufar la aspiradora o poner su interruptor en el modo de activación de herramienta mecánica o en el modo de limpieza del filtro. No mantenga la herramienta mecánica enchufada en el tomacorriente para herramientas mecánicas de la aspiradora durante la recogida normal con la aspiradora. Enchufar aspiradoras o herramientas que tengan el interruptor en la posición de ENCENDIDO invita a que se produzcan accidentes.

No intente alcanzar demasiado lejos. Mantenga un apoyo adecuado de los pies y un equilibrio apropiado, así como un apoyo y un equilibrio apropiados de la aspiradora en todo momento. Tenga cuidado adicional cuando limpie en escaleras. El apoyo adecuado de los pies y el equilibrio apropiado del usuario, junto con el apoyo y el equilibrio apropiados de la aspiradora, permiten tener mejor control de la aspiradora en situaciones inesperadas.

No use la aspiradora para recoger cosas que se estén quemando, que estén humeando o que estén

ardiendo sin llama, como cigarrillos, fósforos o cenizas calientes. Podría producirse un incendio dentro del tanque de la aspiradora.

No use la aspiradora para recoger líquidos, alcoholes o gases inflamables, ni polvos explosivos, como gasolina u otros combustibles, líquido encendedor, barniz, revestimientos de poliuretano, limpiadores, pinturas a base de aceite, gas natural, hidrógeno, polvo de carbón, polvo de magnesio, polvo de granos o pólvora. Los motores eléctricos generan chispas que pueden incendiar el polvo o los vapores.

Vístase adecuadamente. No use ropa ni joyas holgadas. Sujétese el pelo largo. Mantenga el pelo, la ropa y los guantes alejados de las piezas móviles. La ropa holgada, las joyas holgadas o el pelo largo pueden quedar atrapados en las piezas móviles, la manguera y las boquillas de succión. Mantenga las asas secas, limpias y libres de aceite y grasa.

No sujete la manguera contra ninguna parte del cuerpo durante la utilización de la aspiradora.

Utilice equipo de seguridad. Use siempre protección de los ojos y de la audición. Se debe usar una máscara antipolvo, zapatos de seguridad antideslizantes, casco o protección de la audición para las condiciones apropiadas.

⚠ ADVERTENCIA Este producto contiene sustancias químicas, incluyendo plomo, que el estado de California sabe que causan cáncer y defectos de nacimiento u otros daños sobre la reproducción. **Lávese las manos después de manejarlo.**

Esta aspiradora no es adecuada para recoger sustancias o polvos peligrosos o tóxicos, como por ejemplo asbesto. Los filtros no podrán atrapar todas las partículas y es posible que las expulsen de vuelta al medio ambiente.

Normas de seguridad para aspiradoras

Cuidado de la aspiradora

No use la aspiradora si el interruptor no la enciende o apaga. Toda aspiradora que no pueda controlarse con el interruptor es peligrosa y debe repararse.

Desconecte el enchufe de la fuente de energía antes de hacer cualquier ajuste, cambiar accesorios o almacenar la aspiradora. Dichas medidas preventivas de seguridad reducirán el riesgo de arrancar accidentalmente la aspiradora.

⚠ ADVERTENCIA Cuando utilice el dispositivo Power Broker™, la combinación de toma de corriente por la herramienta y por la aspiradora no debe exceder la capacidad nominal del circuito derivado en el que esté enchufada la aspiradora. Si se excede la capacidad del circuito derivado, el resultado podría ser que la aspiradora y la circuitería derivada se recalienten, produciendo un riesgo de incendio.

No use la aspiradora para recoger polvo cuando el tanque de la aspiradora contenga líquido o fluido. No use la aspiradora para recoger líquidos o fluidos cuando haya polvo en el tanque. En cualquiera de estos dos casos, vacíe el tanque y/o quite la bolsa para polvo antes de usar la aspiradora, para que el polvo no se aglutine y se endurezca dentro del tanque.

Seque completamente los filtros después de usar la aspiradora para recoger materiales mojados o use un segundo juego de filtros secos para recoger polvo. En los filtros húmedos o mojados se aglutinará polvo o se formará moho o verdín.

Cuando no se esté usando la aspiradora, guárdela fuera del alcance de los niños y de otras personas que no hayan recibido capacitación para utilizarla. Las aspiradoras son peligrosas en manos de los usuarios que no hayan recibido capacitación.

Mantenga la aspiradora con cuidado. Mantenga apropiadamente la aspiradora para mantener

desobstruida la manguera. No ponga ningún objeto en las aberturas. No use la aspiradora si alguna de las aberturas está bloqueada; mantenga las aberturas libres de polvo, pelusa, pelo y cualquier cosa que pueda reducir la circulación de aire. Cualquier alteración o modificación es un uso incorrecto y puede causar una situación peligrosa.

Compruebe si hay piezas desalineadas o que se atasquen, si hay piezas rotas y cualquier otra situación que pueda afectar el funcionamiento de la aspiradora. Si la aspiradora está dañada, haga que le realicen servicio de ajustes y reparaciones antes de utilizarla. Las aspiradoras mal mantenidas causan muchos accidentes. Desarrolle un programa de mantenimiento periódico para su aspiradora.

Utilice únicamente accesorios que estén recomendados por el fabricante para su modelo. Los accesorios que pueden ser adecuados para una aspiradora pueden volverse peligrosos cuando se utilicen en otra aspiradora.

Servicio de ajustes y reparaciones

Solamente personal de reparaciones calificado deber realizar servicio de ajustes y reparaciones en la aspiradora. El servicio de ajustes y reparaciones o el mantenimiento realizado por personal no calificado podría causar un riesgo de lesiones. Por ejemplo, los cables internos podrían quedar colocados incorrectamente o pellizcados.

Cuando haga servicio de ajustes y reparaciones en una aspiradora, utilice únicamente piezas de repuesto idénticas. Siga las instrucciones de la sección Mantenimiento de este manual. El uso de piezas no autorizadas o no seguir las instrucciones de la sección Mantenimiento puede crear un riesgo de que se produzcan descargas eléctricas o lesiones. Ciertos agentes de limpieza, como gasolina, tetracloruro de carbono, amoníaco, etc., pueden dañar las piezas de plástico.

Descripción funcional y especificaciones

ADVERTENCIA Desconecte el enchufe de la fuente de energía antes de hacer cualquier ensamblaje, ajuste o cambio de accesorios. Dichas medidas de seguridad preventivas reducen el riesgo de arrancar la herramienta accidentalmente.

Aspiradora de uso general

FIG. 1

Equipo estándar:

- 1 Manguera de aspiración de 35 mm (almacenada en el recipiente)
- 1 Asa principal y 2 abrazaderas para el asa
- 1 Bolsa para polvo
- 2 Cartuchos de filtro VAC012
- 2 Filtros de protección del motor
- 2 Ruedas traseras, 1 eje
- 2 Conjuntos de tapa y pasador de eje
- 2 Ruedecillas delanteras



Especificaciones:

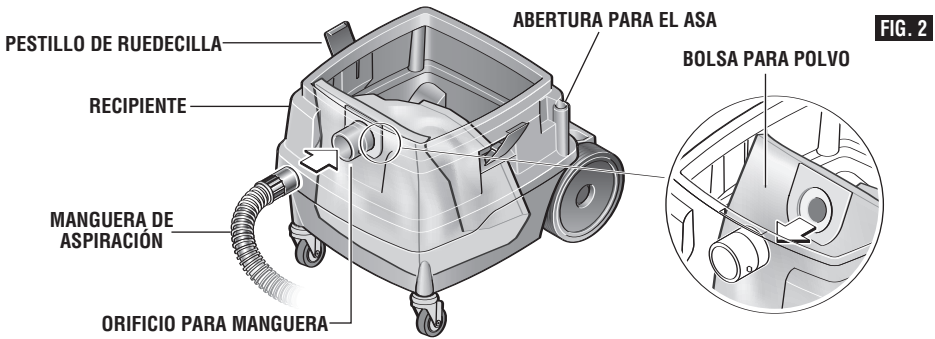
Número de pieza	0 601 989 161
Tensión	120 V
Frecuencia.....	60 Hz
Potencia nominal de la aspiradora	
Sin herramienta mecánica conectada.....	11.1 A
Con herramienta mecánica conectada.....	11.1 a 4.8 A
Capacidad nominal máxima de la herramienta mecánica conectada.....	7.2 A
Toma máxima de corriente por la herramienta mecánica.....	15 A (en un circuito de 20 A)*
.....	10 A (en un circuito de 15 A)*
.....	*Dependiendo del ajuste del
.....	Power Broker™

Volumen del recipiente (total).....	13.3 gal. (50 l)
Volumen del recipiente en mojado (neto)	11.35 gal (45 l)
Volumen del recipiente en seco (neto).....	11.35 gal. (45 l)
Volumen de la bolsa para polvo (neto)	5.5 gal. (21 l)
Caudal de aire*	130 PCM (61 l/seg)
Altura de elevación de agua*	100 pulgadas
Presión de succión de la aspiradora*	248 milibares
Tipo de cartucho de filtro	(BIA) M
Área de la superficie del cartucho de filtro (cada uno)	4300 cm ²
Número de cartuchos de filtro	2
Área total de la superficie del filtro.....	8600 cm ²
Retención de polvo	99.93 %
Nivel de presión acústica	69 dB (A)**
Peso sin el asa principal	39 lb (17.7 kg)
Peso con el asa principal	42.2 lb (19.2 kg)
Longitud del cable de alimentación.....	25 pies
Longitud de la manguera	9.84 pies (3 metros)

* Medición realizada en el soplador.

** El nivel de presión sonora con ponderación A típico del producto es de 69 dB (A), el cual se determina a una altura de 1.60 m y una distancia de 1 m de acuerdo con la norma IEC 704-1.

Montaje y preparación

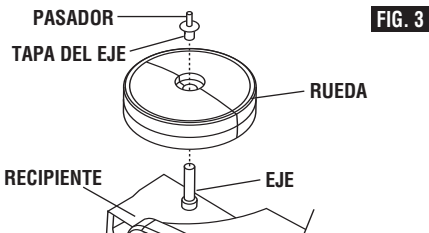


Cuando desempaquete la aspiradora, asegúrese de que todo el equipo estándar esté presente y de que no haya daños debidos al transporte.

Antes de realizar cualquier trabajo en la máquina, desconecte el enchufe de alimentación.

COLOCACIÓN DE LAS RUEDAS TRASERAS

1. Coloque un conjunto de tapa y pasador del eje en el extremo del eje.
2. Golpee el pasador con un martillo para que entre en la tapa hasta que la parte superior del pasador esté al ras con la parte superior de la tapa.
3. Deslice una rueda sobre el eje, deslice el eje a través del recipiente y luego deslice la segunda rueda sobre el eje de la manera que se muestra en la figura 3.



4. Voltee el recipiente sobre uno de sus lados.
5. Coloque el segundo conjunto de tapa y pasador del eje sobre el extremo abierto del eje.
6. Golpee el pasador con un martillo para que entre en la tapa hasta que la parte superior del pasador esté al ras con la parte superior de la tapa.

MONTAJE DEL ASA PRINCIPAL

La aspiradora puede moverse fácilmente con el asa principal. Mueva siempre la unidad usando las dos manos. Introduzca el asa en las dos aberturas y sujétela con las dos abrazaderas para el asa.

COLOCACIÓN DE LA MANGUERA DE ASPIRACIÓN

Conecte la manguera de aspiración de 35 mm (equipo estándar) en el orificio para manguera de la aspiradora 3931A deslizando el extremo más ancho de la manguera

sobre el orificio y girándolo luego hacia la derecha ligeramente para fijarlo en su sitio.

La manguera de 35 mm se puede conectar a accesorios opcionales, incluyendo el juego de tubos extensores VAC011 de Bosch y las cubiertas de extracción de polvo ubicadas en diversas herramientas mecánicas Bosch y sus accesorios, incluyendo cepilladoras, amoladoras, lijadoras, sierra caladoras y martillos/taladros y sus accesorios.

El orificio para manguera universal de la aspiradora 3931A también acepta muchas otras mangueras de aspiración, incluyendo la mayoría de mangueras de 1-1/4", mangueras de 1-1/2", mangueras de 2-1/2" y otras mangueras Bosch. (Consulte la sección sobre accesorios en la página 36 y 37.)

INSTALACIÓN DE LA BOLSA PARA POLVO

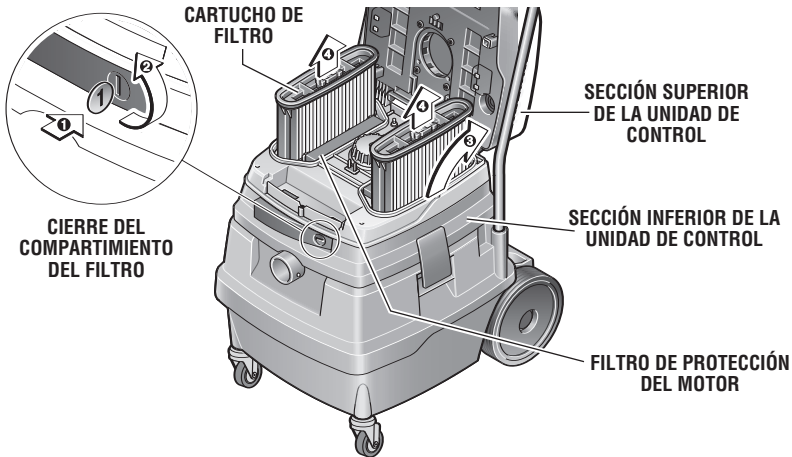
Cuando use la aspiradora para recoger materiales secos como polvo de pared de tipo seco, enlucido, cemento, hollín y harina, debe introducirse en ella una bolsa para polvo.

Incluso cuando use la aspiradora para recoger otros materiales secos, la utilización de una bolsa para polvo prolonga la cantidad de tiempo que la unidad funciona a alto rendimiento y prolonga la cantidad de tiempo que se tarda hasta que el cartucho de filtro se tapona. La utilización de una bolsa para polvo también hace que desechar los residuos sea mucho más fácil, ya que se elimina la nube de polvo que se crea cuando se saca el contenido del recipiente, ayudando a protegerles a usted y al medio ambiente contra la exposición a partículas y residuos no deseados.

Notas:

- Las bolsas AVC013 no se deben usar cuando se recoja material mojado con la aspiradora.
- Las bolsas extrafuertes para mojado/seco VAC022 se pueden usar cuando se recojan materiales mojados. Su diseño es ideal para aplicaciones de succión de suspensiones.
- Los cartuchos de filtro de la aspiradora deben estar instalados, incluso cuando se esté utilizando una bolsa.

FIG. 4



Para instalar la bolsa:

1. Desbloquee los pestillos del recipiente y quite la unidad de control.
2. Agarre una bolsa para polvo nueva por la pestaña. Empújela primero sobre la parte inferior de la pieza de conexión y luego sobre el enganche de cierre que está en la parte superior de la pieza de conexión. Asegúrese de que toda la longitud de la bolsa para polvo esté orientada contra la pared interior del recipiente (Fig. 2).
3. Coloque de nuevo la unidad de control.
4. Bloquee los pestillos del recipiente.

REMOCIÓN DE LA BOLSA PARA POLVO

1. Desbloquee los pestillos del recipiente y quite la unidad de control.
2. Tire de la bolsa para polvo alejándola de la pieza de conexión hasta separarla de ella.
3. Cierre la abertura de la bolsa para polvo doblando la tapa hacia abajo.
4. Saque la bolsa y deshágase de ella apropiadamente.

REMOCIÓN DE LOS CARTUCHOS DE FILTRO

1. Limpie primero los filtros colocando el interruptor selector de modo en el modo PULSE-CLEAN™, lo cual se toma solamente 10 segundos.
2. Para abrir el compartimiento de acceso al filtro, use una moneda para girar el cierre del compartimiento del filtro 1/4 de vuelta en el sentido de la flecha y empuje el cierre hacia adentro.
3. Levante la sección superior de la unidad de control.
4. Agarre el cartucho de filtro por las aletas, tire de él hacia arriba y sáquelo.

Si un cartucho de filtro está dañado, reemplácelo de inmediato.

LIMPIEZA A FONDO DE LOS CARTUCHOS DE FILTRO

Si es necesario, los cartuchos de filtro también se pueden limpiar con un cepillo suave y también se pueden lavar con agua.

REEMPLAZO DE LOS CARTUCHOS DE FILTRO

1. Introduzca un cartucho de filtro nuevo o que se haya limpiado y asegúrese de que quede firmemente asentado.
2. Baje de nuevo la sección superior.
3. Con una ligera presión desde la parte superior de la unidad de control, el cierre del compartimiento del filtro se acoplará de nuevo a presión.

LIMPIEZA DE LOS FILTROS DE PROTECCIÓN DEL MOTOR

Básicamente, los filtros de protección del motor no necesitan mantenimiento. Si los filtros del motor están sucios, eso podría indicar que los cartuchos de filtro están dañados y es necesario reemplazarlos. Si los filtros del motor necesitan limpieza, saque los filtros de protección del motor de vez en cuando y lávelos.

REMOCIÓN DE LOS FILTROS DE PROTECCIÓN DEL MOTOR

1. Para abrir el compartimiento de acceso al filtro, use una moneda para girar el cierre 1/4 de vuelta en el sentido de la flecha y empuje el cierre hacia adentro.
2. Levante la sección superior.
3. Agarre el filtro, tire de él hacia arriba y sáquelo.

REEMPLAZO DE LOS FILTROS DE PROTECCIÓN DEL MOTOR

Vea la Figura 4.

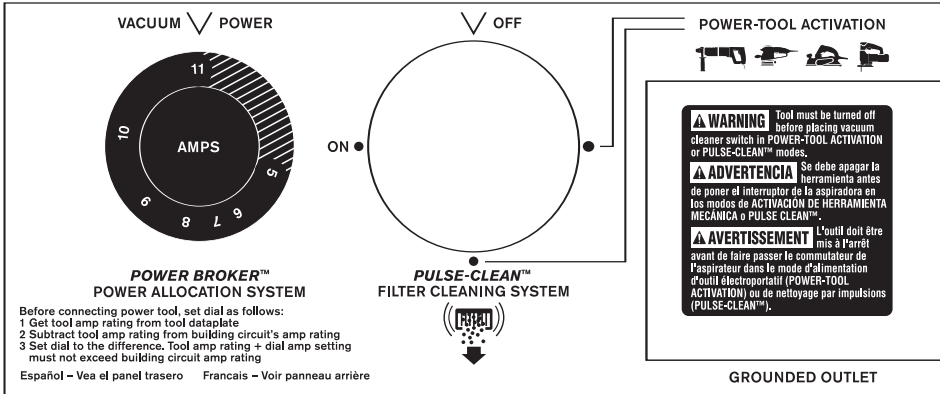
1. Introduzca los filtros de protección del motor limpios y asegúrese de que queden firmemente asentados.
2. Baje la sección superior.
3. Con una ligera presión desde la parte superior de la unidad de control, el cierre del compartimiento del filtro se acoplará de nuevo a presión.

ÁREA DE ALMACENAMIENTO DE LOS TUBOS EXTENSORES

Los tubos extensores del juego de tubos extensores VAC011 opcional se pueden almacenar en los entrantes que están en la parte inferior de la sección trasera del recipiente. Vea la Figura 1.

Instrucciones de funcionamiento

FIG. 5



La aspiradora tiene cuatro modos de funcionamiento:

- Modo de aspiración normal
- Modo de activación de herramienta mecánica
- Modo de limpieza del filtro Pulse-Clean
- Modo de limpieza del filtro Pulse-Clean combinado con activación de herramienta mecánica

ADVERTENCIA Evite el arranque accidental. Asegúrese de que los interruptores de la aspiradora y de la herramienta estén en la posición de APAGADO antes de enchufar la aspiradora o de poner su interruptor en el modo de activación de herramienta mecánica o en el modo de limpieza del filtro. No mantenga la herramienta mecánica enchufada en el tomacorriente para herramientas mecánicas de la aspiradora durante la recogida normal con la aspiradora. Enchufar aspiradoras o herramientas que tengan el interruptor en la posición de ENCENDIDO invita a que se produzcan accidentes.

ADVERTENCIA Esta aspiradora no es adecuada para recoger sustancias o polvos peligrosos o tóxicos, como por ejemplo asbesto. Ni los cartuchos de filtro VAC012 estándar ni los cartuchos de filtro HEPA VAC019 opcionales pueden atrapar todas las partículas y es posible que las expulsen de vuelta al medio ambiente.

MODO DE RECOGIDA NORMAL

Encendido de la unidad: Coloque el interruptor selector de modo en la posición de ENCENDIDO.

Apagado de la unidad: Coloque el interruptor selector de modo en la posición de APAGADO.

MODO DE ACTIVACIÓN DE HERRAMIENTA MECÁNICA

En el modo de Activación de la herramienta mecánica, cuando se enciende la herramienta mecánica, dicha herramienta enciende automáticamente la aspiradora.

DISPOSITIVO DE ASIGNACIÓN DE POTENCIA POWER BROKER

El dispositivo Power Broker permite asignar óptimamente la potencia disponible entre la aspiradora y la herramienta mecánica en circuitos de 15 A o de 20 A.

Antes de conectar la herramienta mecánica, ajuste el dial POWER BROKER™ de la manera siguiente:

1. Obtenga la capacidad nominal en A indicada en la placa de especificaciones de la herramienta.
2. Reste la capacidad nominal en A de la herramienta a la capacidad nominal en A del circuito del edificio.
3. Ajuste el dial a la diferencia.

Notas:

- El cortacircuitos del edificio puede saltar si la combinación de capacidad nominal en A de la herramienta mecánica y el ajuste del dial exceden la capacidad nominal en A del circuito del edificio.

- El dial se debe ajustar a 11 A, a menos que la capacidad nominal en A del circuito del edificio menos el ajuste de la capacidad nominal en A de la herramienta mecánica sea inferior a 11 A.
- Si se necesita la potencia completa de la aspiradora con una herramienta mecánica que toma muchos A, podría ser necesario enchufar la herramienta mecánica en un circuito aparte. Sin embargo, en esta situación, el dispositivo de Activación de la herramienta mecánica no se puede usar.

ENCENDIDO DE LA ASPIRADORA

1. Asegúrese de que la herramienta mecánica esté apagada y luego enchúfela.
2. Ponga el interruptor selector de modo en la posición de ACTIVACIÓN DE LA HERRAMIENTA MECÁNICA.
3. Al encender la herramienta mecánica, ésta enciende automáticamente la aspiradora.

APAGADO DE LA ASPIRADORA

Al apagar la herramienta mecánica, se apaga la aspiradora. Con el fin de vaciar la manguera, la aspiradora se apaga después de una demora de 6 segundos.

LIMPIEZA DEL FILTRO PULSE-CLEAN™

La aspiradora está equipada con el sistema electromagnético de limpieza de cartuchos de filtro PULSE-CLEAN™, que en 10 segundos permite que la unidad quite automáticamente el polvo que esté adherido al cartucho de filtro.

Antes de utilizar el modo PULSE-CLEAN™, sugerimos que avise a las personas que estén a una distancia audible sobre el sonido de esta función.

MODO PULSE-CLEAN™

(cuando no hay herramienta mecánica enchufada)

1. Gire el dial de la aspiradora hasta la posición PULSE-CLEAN™.
2. El proceso de limpieza del filtro se completará automáticamente en unos 10 segundos.
3. Después de que el ciclo PULSE-CLEAN™ se complete automáticamente, la aspiradora quedará en régimen mínimo.
4. Ponga el interruptor de la aspiradora en la posición de APAGADO o de ENCENDIDO, según se desee.

Consulte las notas sobre PULSE-CLEAN™ que aparecen más adelante.

MODO PULSE-CLEAN™ COMBINADO CON ACTIVACIÓN DE HERRAMIENTA MECÁNICA

El sistema PULSE-CLEAN™ también se puede utilizar cuando se conecte y use una herramienta mecánica con el "MODO DE ACTIVACIÓN DE HERRAMIENTA MECÁNICA". Esto es muy práctico cuando la ubicación de la aspiradora está separada de la herramienta mecánica conectada, como por ejemplo cuando la herramienta se esté usando sobre un andamio.

Asegúrese de que la herramienta mecánica esté apagada y luego enchúfela.

1. Enchufe la herramienta mecánica en el tomacorriente para herramientas mecánicas de la aspiradora.
2. Gire el dial de la aspiradora hasta la posición CLEAN-PULSE™.
3. La aspiradora entrará en el modo PULSE-CLEAN™ durante 10 segundos.
4. Después de que se complete el modo PULSE-CLEAN™, encienda la herramienta mecánica y la aspiradora funcionará hasta que usted apague la herramienta mecánica o la desconecte de la aspiradora.
5. En el momento en que se apague la herramienta, la aspiradora determinará automáticamente si es necesario limpiar el filtro. Si la aspiradora determina que la limpieza es necesaria, el sistema PULSE-CLEAN™ se activará automáticamente y el proceso de limpieza se completará en unos 10 segundos.
6. Después de que el ciclo PULSE-CLEAN™ se complete automáticamente, la aspiradora quedará en régimen mínimo.
7. Apague la aspiradora o, para seguir trabajando, encienda de nuevo la herramienta mecánica.
8. Si la herramienta mecánica se enciende antes de que se complete el ciclo PULSE-CLEAN™, PULSE-CLEAN™ se detendrá automáticamente y la aspiradora comenzará a aspirar.

Notas sobre PULSE-CLEAN™:

- El sonido del sistema PULSE-CLEAN™ podría sorprender a las personas que estén cerca del área de trabajo. Antes de utilizar PULSE-CLEAN™, alerte a las personas que estén en las proximidades de la aspiradora de esta función y del sonido relacionado que hace.
- No mantenga enchufada la herramienta mecánica en la aspiradora durante el modo de limpieza normal con la aspiradora, porque cualquier herramienta mecánica conectada recibirá energía cuando la aspiradora cambie de modo de limpieza normal a modo PULSE CLEAN.
- El sistema PULSE-CLEAN™ se debe activar cuando la potencia de succión disminuya hasta el punto de ser insuficiente.
- El sistema PULSE-CLEAN™ se debe activar periódicamente para mantener limpios los cartuchos de filtro. La frecuencia apropiada para activar el sistema PULSE-CLEAN™ depende del tipo y la cantidad de polvo. Con el uso normal, el rendimiento de aspiración máximo se mantiene más tiempo.

RECOGIDA DE MATERIALES MOJADOS

La aspiradora 3931A se puede usar también para recoger materiales mojados.

⚠ ADVERTENCIA No utilice la aspiradora para recoger líquidos o gases inflamables, ni polvos explosivos, como gasolina u otros combustibles, líquido encendedor, barniz, revestimientos de poliuretano, limpiadores, pinturas a base de aceite, gas natural, hidrógeno, polvo de carbón, polvo de magnesio, polvo de granos o pólvora. Los motores eléctricos generan chispas, las cuales pueden incendiar el polvo o los vapores.

1. Antes de usar la aspiradora para recoger materiales mojados, hágala funcionar en el modo PULSE-CLEAN™.
2. Vacíe el recipiente para evitar la incrustación cuando recoja materiales mojados. Si la bolsa está en el recipiente, sáquela también.

Notas:

- Vacíe el recipiente antes de usar la aspiradora para recoger materiales mojados.
- No utilice una bolsa para polvo VAC013 cuando use la aspiradora para recoger material mojado. Si se va a utilizar una bolsa cuando se use la aspiradora para recoger material mojado, se debe emplear una bolsa para polvo extrafuerte VAC022.
- Polvo mojado/seco: Si la bolsa VAC013 está en el recipiente, sáquela también. (La bolsa VAC022 puede permanecer en el recipiente.)
- Se debe utilizar el cartucho de filtro cuando se use la aspiradora para recoger materiales mojados.
- No active el modo PULSE-CLEAN™ cuando el contenido de la aspiradora esté mojado.
- La unidad está equipada con sensores del nivel de agua. La unidad se apagará cuando se alcance la altura máxima de llenado. La unidad aún tendrá energía, pero no funcionará. Primero se debe apagar la unidad, antes de que se pueda encender de nuevo.
- Al apagar la unidad, es posible que salga un poco de agua de la manguera.
- Para evitar el sifonamiento o los derrames, levante la manguera de succión hasta sacarla del líquido antes de drenar la aspiradora.
- Antes de abrir y vaciar la aspiradora, mueva el interruptor hasta la posición de APAGADO.
- Antes de abrir y vaciar la aspiradora, desconecte siempre el cable de la aspiradora de la fuente de alimentación.
- Para evitar la formación de moho, después de recoger material mojado con la aspiradora, retire la

bolsa VAC022 (si hay una instalada), retire ambos cartuchos de filtro y deje que se sequen completamente. Seque el filtro y el recipiente completamente para que el polvo no se pueda adherir a las partes húmedas. Quite también la unidad de control y deje que se seque.

- Use un filtro seco para la recogida subsiguiente de materiales secos. Sugerimos que compre cartuchos de filtro adicionales cuando alterne frecuentemente entre recogida de materiales mojados y secos, y que intercambie los cartuchos según sea apropiado.

Limpie con agua el recipiente y los accesorios. Limpie la sección superior con un paño húmedo.

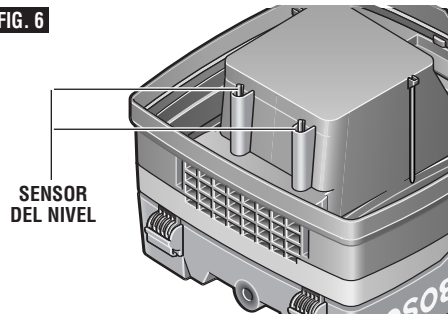
MANTENIMIENTO DE LOS SENSORES DEL NIVEL DE AGUA

Limpie ocasionalmente los sensores del nivel de agua.

Vea la Figura 6.

1. Desbloquee los pestillos del recipiente y quite la unidad de control.
2. Limpie los sensores del nivel de agua con un paño suave.
3. Coloque de nuevo la unidad de control.
4. Cierre los pestillos del recipiente.

FIG. 6



SENSOR DEL NIVEL

VACIADO DEL RECIPIENTE

1. Apague la unidad.
2. Desconecte la unidad de la fuente de energía.
3. Abra los pestillos del recipiente.
4. Quite la unidad de control.
5. Quite la bolsa de filtro de papel, descargue el recipiente o drene el recipiente según sea apropiado.

MANTENIMIENTO DEL RECIPIENTE

Limpie el recipiente de vez en cuando con un agente limpiador que no raye disponible comercialmente y deje que se seque.

Mantenimiento

Servicio

⚠ ADVERTENCIA El mantenimiento preventivo realizado por personal no autorizado puede dar lugar a la colocación incorrecta de cables y componentes internos que podría constituir un peligro serio. Recomendamos que todo el servicio de las herramientas sea realizado por un Centro de servicio de fábrica Bosch o por una Estación de servicio Bosch autorizada.

LUBRICACIÓN DE LAS HERRAMIENTAS

Su herramienta Bosch ha sido lubricada adecuadamente y está lista para la utilización. Se recomienda que las herramientas con engranajes se vuelvan a engrasar con un lubricante especial para engranajes en cada cambio de escobillas.

Limpieza

⚠ ADVERTENCIA Para evitar accidentes desconecte siempre la herramienta de la fuente de energía antes de la limpieza o de la realización de cualquier mantenimiento. La herramienta se puede limpiar más eficazmente con aire comprimido seco. **Use gafas de seguridad siempre que limpie herramientas con aire comprimido.**

Las aberturas de ventilación y las palancas de interruptor deben mantenerse limpias y libres de materias extrañas. No intente limpiar introduciendo objetos puntiagudos a través de las aberturas.

⚠ PRECAUCION Ciertos agentes de limpieza y disolventes dañan las piezas de plástico. Algunos de estos son: gasolina, tetracloruro de carbono, disolventes de limpieza clorados, amoníaco y detergentes domésticos que contienen amoníaco.

Accesorios

⚠ ADVERTENCIA Si es necesario un cordón de extensión, se debe usar un cordón con conductores de tamaño adecuado que sea capaz de transportar la corriente necesaria para la herramienta. Esto evitará caídas de tensión excesivas, pérdida de potencia o recalentamiento. Las herramientas conectadas a tierra deben usar cordones de extensión de 3 hilos que tengan enchufes de 3 terminales y receptáculos para 3 terminales.

NOTA: Cuanto más pequeño es el número de calibre, más grueso es el cordón.

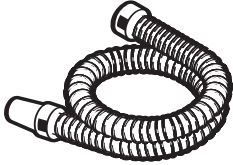
La longitud del cable de alimentación de la aspiradora debe incluirse al calcular la longitud total del cable de alimentación.

TAMAÑOS RECOMENDADOS DE CORDONES DE EXTENSION HERRAMIENTAS DE 120 V CORRIENTE ALTERNA

Capacidad nominal en amperes de la herramienta	Tamaño del cordón en A.W.G.				Tamaños del cable en mm ²			
	Longitud del cordón en pies				Longitud del cordón en metros			
	25	50	100	150	15	30	60	120
3-6	18	16	16	14	0,75	0,75	1,5	2,5
6-8	18	16	14	12	0,75	1,0	2,5	4,0
8-10	18	16	14	12	0,75	1,0	2,5	4,0
10-12	16	16	14	12	1,0	2,5	4,0	—
12-16	14	12	—	—	—	—	—	—

MANGUERAS Y ADAPTADORES DE ASPIRACIÓN BOSCH

Hay disponibles diversas mangueras y adaptadores de aspiración como accesorios opcionales.



VAC001	Manguera de aspiración Airsweep de 19 mm Aditamento de aspiradora de 2-1/4"
VAC005	Manguera de fijación de ajuste por fricción de 35 mm con 5 metros de longitud, con aditamento de aspiradora estándar de 2-1/4"
VAC006	Manguera de aspiración de 35 mm de 5 metros
VAC007	Manguera de aspiración antiestática de 35 mm con 3 metros de longitud
VAC008	Manguera de aspiración antiestática de 35 mm con 5 metros de longitud
VAC009	Manguera de aspiración Airsweep antiestática de 19 mm con 3 metros de longitud
VAC010	Manguera de aspiración Airsweep antiestática de 19 mm con 5 metros de longitud
VAC021	Manguera de aspiración de 35 mm de 3 metros

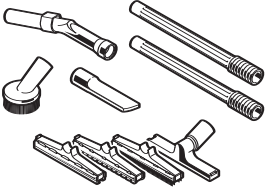
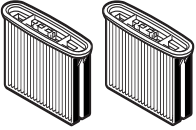




Notas: Las mangueras de 19 mm se conectan a los orificios de varios accesorios de martillos, lijadoras y sierras caladoras Bosch. Las mangueras de 35 mm se conectan al juego de tubos extensores y boquillas VAC011, así como a los orificios ubicados en diversas herramientas Bosch y sus accesorios, tales como fresadoras, cepilladoras, amoladoras, sierras circulares, sierras caladoras, lijadoras y martillos/taladros y sus accesorios, y en muchos productos de la competencia. Los modelos VAC006-VAC021 tienen el sistema de aditamento de aspiradora con collarín de fijación Bosch.

Otras mangueras de aspiración compatibles: Además, las mangueras de aspiración de ajuste por fricción de 1-1/4", 1-1/2" y 2-1/2" más comunes también se conectarán directamente al orificio para manguera de la aspiradora 3931A.



VAC003	Adaptador de manguera: Conecta la manguera de 35 mm al orificio de la herramienta de tamaño para mangueras de 1-1/4"
VAC004	Adaptador de manguera: Conecta la manguera de 35 mm al orificio de la herramienta de tamaño para mangueras de 2-1/2"
VAC020	Adaptador de manguera: Conecta la manguera de 2-1/2" a tubos extensores, boquillas y orificios de herramienta con el tamaño adecuado para mangueras de 35 mm.

OTROS ACCESORIOS

	<p>VAC011</p>	<p>Juego de tubos extensores y boquillas</p>
	<p>VAC012 VAC019</p>	<p>Cartucho de filtro (paquete de 2) Cartucho de filtro HEPA (paquete de 2)</p>
	<p>VAC013 VAC022</p>	<p>Bolsa para polvo (paquete de 5) Bolsas para polvo extrafuertes para mojado/seco (paquete de 3)</p>
<p>(No mostrado)</p>	<p>VAC014</p>	<p>Canasta de alambre para accesorios</p>
<p>(No mostrado)</p>	<p>VAC015</p>	<p>Boquilla universal para pisos</p>
	<p>VAC016</p>	<p>Juego de boquillas para pisos</p>
	<p>VAC017</p>	<p>Boquilla rinconera</p>
	<p>VAC018</p>	<p>Cepillo</p>

Notes:

Remarques :
Notas:

LIMITED WARRANTY OF BOSCH PORTABLE AND BENCHTOP POWER TOOLS

Robert Bosch Tool Corporation ("Seller") warrants to the original purchaser only, that all BOSCH portable and benchtop power tools will be free from defects in material or workmanship for a period of one year from date of purchase. SELLER'S SOLE OBLIGATION AND YOUR EXCLUSIVE REMEDY under this Limited Warranty and, to the extent permitted by law, any warranty or condition implied by law, shall be the repair or replacement of parts, without charge, which are defective in material or workmanship and which have not been misused, carelessly handled, or misrepaired by persons other than Seller or Authorized Service Station. To make a claim under this Limited Warranty, you must return the complete portable or benchtop power tool product, transportation prepaid, to any BOSCH Factory Service Center or Authorized Service Station. For Authorized BOSCH Power Tool Service Stations, please refer to your phone directory.

THIS LIMITED WARRANTY DOES NOT APPLY TO ACCESSORY ITEMS SUCH AS CIRCULAR SAW BLADES, DRILL BITS, ROUTER BITS, JIGSAW BLADES, SANDING BELTS, GRINDING WHEELS AND OTHER RELATED ITEMS.

ANY IMPLIED WARRANTIES SHALL BE LIMITED IN DURATION TO ONE YEAR FROM DATE OF PURCHASE. SOME STATES IN THE U.S., SOME CANADIAN PROVINCES DO NOT ALLOW LIMITATIONS ON HOW LONG AN IMPLIED WARRANTY LASTS, SO THE ABOVE LIMITATION MAY NOT APPLY TO YOU.

IN NO EVENT SHALL SELLER BE LIABLE FOR ANY INCIDENTAL OR CONSEQUENTIAL DAMAGES (INCLUDING BUT NOT LIMITED TO LIABILITY FOR LOSS OF PROFITS) ARISING FROM THE SALE OR USE OF THIS PRODUCT. SOME STATES IN THE U.S. AND SOME CANADIAN PROVINCES DO NOT ALLOW THE EXCLUSION OR LIMITATION OF INCIDENTAL OR CONSEQUENTIAL DAMAGES, SO THE ABOVE LIMITATION OR EXCLUSION MAY NOT APPLY TO YOU.

THIS LIMITED WARRANTY GIVES YOU SPECIFIC LEGAL RIGHTS, AND YOU MAY ALSO HAVE OTHER RIGHTS WHICH VARY FROM STATE TO STATE IN THE U.S., PROVINCE TO PROVINCE IN CANADA AND FROM COUNTRY TO COUNTRY.

THIS LIMITED WARRANTY APPLIES ONLY TO PORTABLE AND BENCHTOP ELECTRIC TOOLS SOLD WITHIN THE UNITED STATES OF AMERICA, CANADA AND THE COMMONWEALTH OF PUERTO RICO. FOR WARRANTY COVERAGE WITHIN OTHER COUNTRIES, CONTACT YOUR LOCAL BOSCH DEALER OR IMPORTER.

GARANTIE LIMITÉE DES OUTILS ÉLECTRIQUES PORTATIFS ET D'ÉTABLI BOSCH

Robert Bosch Tool Corporation (le « vendeur ») garantit à l'acheteur initial seulement que tous les outils électriques portatifs et d'établi BOSCH seront exempts de vices de matériaux ou d'exécution pendant une période d'un an depuis la date d'achat. LA SEULE OBLIGATION DU VENDEUR ET LE SEUL RECOURS DE L'ACHETEUR sous la présente garantie limitée, et en autant que la loi le permette sous toute garantie ou condition implicite qui en découlerait, sera l'obligation de remplacer ou réparer gratuitement les pièces défectueuses matériellement ou comme fabrication, pourvu que lesdites défectuosités ne soient pas attribuables à un usage abusif ou à quelque réparation bricolée par quelqu'un d'autre que le vendeur ou le personnel d'une station-service agréée. Pour présenter une réclamation en vertu de cette garantie limitée, vous devez renvoyer l'outil électrique portatif ou d'établi complet, port payé, à tout centre de service agréé ou centre de service usine. Veuillez consulter votre annuaire téléphonique pour les adresses.

LA PRÉSENTE GARANTIE NE S'APPLIQUE PAS AUX ACCESSOIRES TELS QUE LAMES DE SCIÉS CIRCULAIRES, MÊCHES DE PERCEUSES, FERS DE TOUPIES, LAMES DE SCIÉS SAUTEUSES, COURROIES DE PONÇAGE, MEULES ET AUTRES ARTICLES DU GENRE.

TOUTE GARANTIE IMPLICITE SERA LIMITÉE COMME DURÉE À UN AN À COMPTER DE LA DATE D'ACHAT. CERTAINS ÉTATS AMÉRICAINS, CERTAINES PROVINCES CANADIENNES N'ADMETTANT PAS LE PRINCIPE DE LA LIMITATION DE LA DURÉE DES GARANTIES IMPLICITES, IL EST POSSIBLE QUE LES LIMITATIONS CI-DESSUS NE S'APPLIQUENT PAS À VOTRE CAS.

EN AUCUN CAS LE VENDEUR NE SAURAIT ÊTRE TENU POUR RESPONSABLE DES INCIDENTS OU DOMMAGES INDIRECTS (INCLUANT, MAIS NE SE LIMITANT PAS AUX PERTES DE PROFITS) CONSÉCUTIFS À LA VENTE OU L'USAGE DE CE PRODUIT. CERTAINS ÉTATS AMÉRICAINS ET CERTAINES PROVINCES CANADIENNES N'ADMETTANT PAS LE PRINCIPE DE LA LIMITATION NI L'EXCLUSION DES DOMMAGES INDIRECTS ET CONSÉQUENTIELS, IL EST POSSIBLE QUE LES LIMITATIONS OU EXCLUSIONS CI-DESSUS NE S'APPLIQUENT PAS À VOTRE CAS.

LA PRÉSENTE GARANTIE VOUS ACCORDE DES DROITS BIEN DÉTERMINÉS, Y COMPRIS POSSIBLEMENT CERTAINS DROITS VARIABLES DANS LES DIFFÉRENTS ÉTATS AMÉRICAINS, PROVINCES CANADIENNES.

CETTE GARANTIE LIMITÉE NE S'APPLIQUE QU'ÀUX OUTILS ÉLECTRIQUES PORTATIFS ET D'ÉTABLI VENDUS AUX ÉTATS-UNIS D'AMÉRIQUE, AU CANADA ET AU COMMONWEALTH DE PORTO RICO. POUR COUVERTURE DE GARANTIE DANS LES AUTRES PAYS, CONTACTEZ VOTRE IMPORTATEUR OU REVENDEUR BOSCH LOCAL.

GARANTIA LIMITADA PARA HERRAMIENTAS MECANICAS PORTATILES Y PARA TABLERO DE BANCO BOSCH

Robert Bosch Tool Corporation ("el Vendedor") garantiza, únicamente al comprador original, que todas las herramientas mecánicas portátiles y para tablero de banco BOSCH estarán libres de defectos de material o de fabricación durante un período de un año a partir de la fecha de compra. LA ÚNICA OBLIGACION DEL VENDEADOR Y EL RECURSO EXCLUSIVO QUE USTED TIENE bajo esta Garantía Limitada y, hasta donde la ley lo permita, bajo cualquier garantía o condición implícita por ley, consistirá en la reparación o sustitución sin costo de las piezas que presenten defectos de material o de fabricación y que no hayan sido utilizadas incorrectamente, manejadas descuidadamente o reparadas incorrectamente por personas que no sean el Vendedor o una Estación de servicio autorizada. Para efectuar una reclamación bajo esta Garantía Limitada, usted debe devolver el producto, que consiste en la herramienta mecánica portátil o para tablero de banco completa, con el transporte pagado, a cualquier Centro de servicio de fábrica o Estación de servicio autorizada. Para Estaciones de servicio autorizadas de herramientas mecánicas BOSCH, por favor, consulte el directorio telefónico.

ESTA GARANTIA LIMITADA NO SE APLICA A ARTICULOS ACCESORIOS TALES COMO HOJAS PARA SIERRAS CIRCULARES, BROCAS PARA TALADROS, BROCAS PARA FRESADORAS, HOJAS PARA SIERRAS DE VAIVEN, CORREAS PARA LIJAR, RUEDAS DE AMOLAR Y OTROS ARTICULOS RELACIONADOS.

TODAS LAS GARANTIAS IMPLICITAS TENDRAN UNA DURACION LIMITADA A UN AÑO A PARTIR DE LA FECHA DE COMPRA. ALGUNOS ESTADOS DE LOS EE.UU., ALGUNAS PROVINCIAS CANADIENSES NO PERMITEN LIMITACIONES EN CUANTO A LA DURACION DE UNA GARANTIA IMPLICITA, POR LO QUE ES POSIBLE QUE LA LIMITACION ANTERIOR NO SEA APLICABLE EN EL CASO DE USTED.

EL VENDEADOR NO SERA RESPONSABLE EN NINGUN CASO DE NINGUN DAÑO INCIDENTAL O EMERGENTE (INCLUYENDO PERO NO LIMITADO A RESPONSABILIDAD POR PERDIDA DE BENEFICIOS) QUE SE PRODUZCA COMO CONSECUENCIA DE LA VENTA O UTILIZACION DE ESTE PRODUCTO. ALGUNOS ESTADOS DE LOS EE.UU. Y ALGUNAS PROVINCIAS CANADIENSES NO PERMITEN LA EXCLUSION O LIMITACION DE LOS DAÑOS INCIDENTALES O EMERGENTES, POR LO QUE ES POSIBLE QUE LA LIMITACION O EXCLUSION ANTERIOR NO SEA APLICABLE EN EL CASO DE USTED.

ESTA GARANTIA LIMITADA LE CONFIERE A USTED DERECHOS LEGALES ESPECIFICOS Y ES POSIBLE QUE USTED TAMBIEN TENGA OTROS DERECHOS QUE VARIAN DE ESTADO A ESTADO EN LOS EE.UU., DE PROVINCIA A PROVINCIA EN CANADA.

ESTA GARANTIA LIMITADA SE APLICA SOLAMENTE A HERRAMIENTAS ELECTRICAS PORTATILES Y PARA TABLERO DE BANCO VENDIDAS EN LOS ESTADOS UNIDOS DE AMERICA, CANADA Y EL ESTADO LIBRE ASOCIADO DE PUERTO RICO. PARA COBERTURA DE GARANTIA EN OTROS PAISES, PONGASE EN CONTACTO CON SU DISTRIBUIDOR O IMPORTADOR LOCAL DE BOSCH.

© Robert Bosch Tool Corporation 1800 W. Central Road Mt. Prospect, IL 60056 -2230

Exportado por: Robert Bosch Tool Corporation Mt. Prospect, IL 60056 -2230, E.U.A.

Importado en México por: Robert Bosch, S.A. de C.V., Calle Robert Bosch No. 405, Zona Industrial, Toluca, Edo. de México, C.P. 50070, Tel. (722) 2792300

Free Manuals Download Website

<http://myh66.com>

<http://usermanuals.us>

<http://www.somanuals.com>

<http://www.4manuals.cc>

<http://www.manual-lib.com>

<http://www.404manual.com>

<http://www.luxmanual.com>

<http://aubethermostatmanual.com>

Golf course search by state

<http://golfingnear.com>

Email search by domain

<http://emailbydomain.com>

Auto manuals search

<http://auto.somanuals.com>

TV manuals search

<http://tv.somanuals.com>