

Horn Loudspeaker



Security Systems

Installation Manual
EN | LBC 3428/00

BOSCH

1. INTRODUCTION

These speakers have been designed for use in harsh environmental conditions.

2. INSTALLATION

General

When installing and operating electrical equipment, requirements for selection, installation and operation should be referred to. Additional national and/or local requirements may apply.

Ensure that all nuts, bolts and fixings are secure. Ensure that appropriate stopping plugs are used to blank off unused gland entry points. Sealing compound should be applied to stopping plug threads to maintain the IP rating of the unit.

The LBC 3428/00 is mounted via 2 x Ø 7mm (Ø 0.28") fixing holes in the 'u' shaped stirrup/mounting bracket. If required, the unit can be initially placed via the Ø 13mm (0.51") central hole in the stirrup. The unit can be rotated to the required position and fixed via the two other holes. The fixing holes accept M6 screws or bolts. Bosch recommend the use of stainless steel screws.

The elevation of the unit can be adjusted by loosening the 2 x M6 screws which fasten the stirrup to the horn.

The unit can then be adjusted by rotating to the required position and then tightening the M6 screws. The LBC 3428/00 should be positioned such that debris, dust or water cannot settle in the re-entrant horn.

Cable Termination

CAUTION: Before removing the cover assembly, ensure that the power to the unit is isolated. Unscrew the 2 off screws holding the cover to the unit.

Remove to gain access to the interior of the enclosure. Cable termination should be in accordance with specifications applying to the application.

Bosch recommend that all cables and cores should be fully identified. Ensure that appropriate cable glands are used and that the assembly is shrouded and correctly earthed. All cable glands should be of an equivalent IP rating to that of the speaker.

In order to maintain the IP rating of the unit, the cable glands should be sealed to the unit using a sealing washer (if possible) and sealing compound. Once termination is complete, carefully push the cover back onto the unit, avoiding damage to the seal. Tighten the 2 off cover screws evenly, to ensure correct sealing.

3. OPERATION

The unit is powered directly. Different sound levels can be obtained by selecting the transformer tapings in the unit.

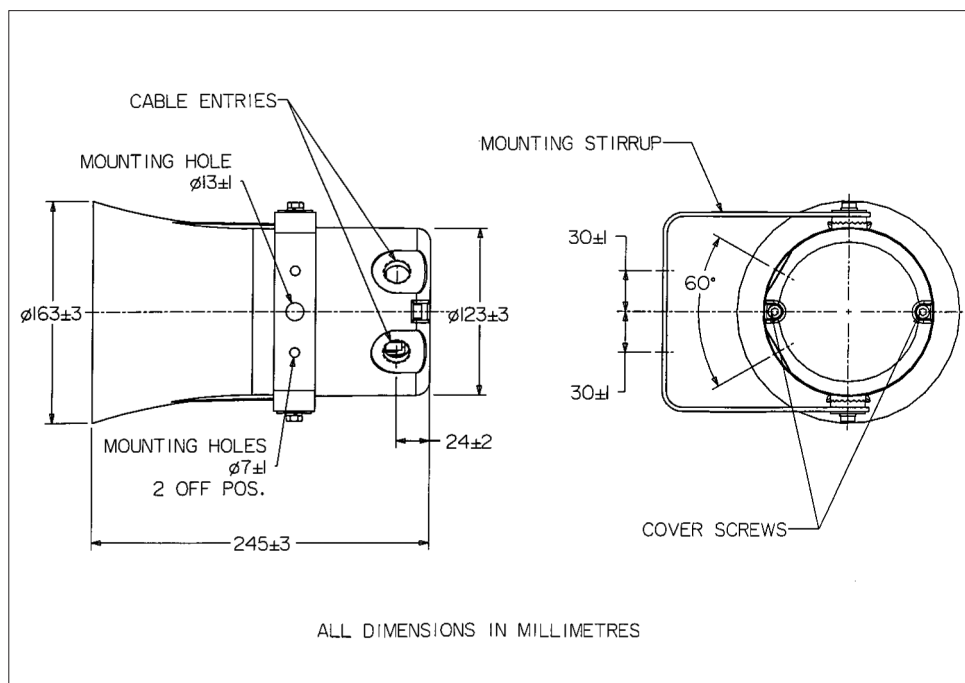
However, if abnormal or unusual environmental conditions occur due to plant damage or accident etc., then visual inspection is recommended.

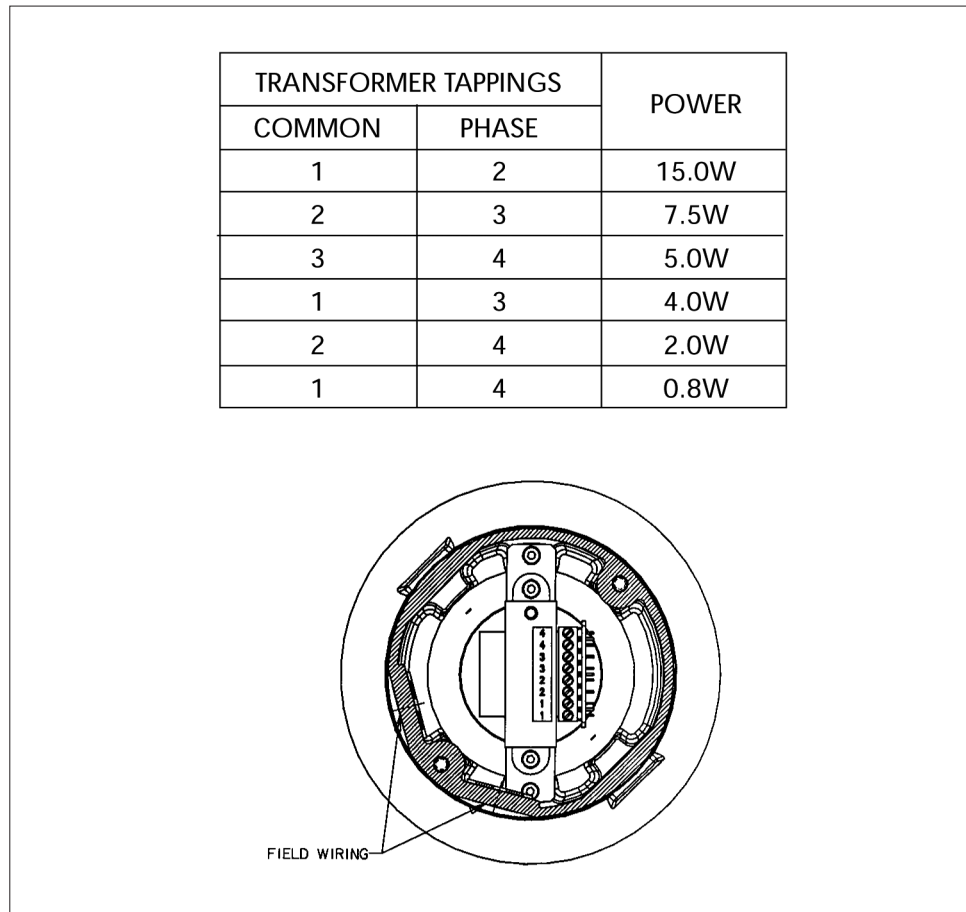
4. MAINTENANCE

During the working life of the unit, little or no maintenance is required.

If a fault should occur, it is recommended that the unit be returned to Bosch for repair.

GENERAL ARRANGEMENT



WIRING DIAGRAM

Numbers on Terminal Label are in pairs to facilitate loop-in loop-out option.

Terminals are linked via PCB tracking.

www.boschsecuritysystems.com
9498 974 31912 Printed in the UK
Updated August 2003
Data subject to change without notice.

BOSCH

Free Manuals Download Website

<http://myh66.com>

<http://usermanuals.us>

<http://www.somanuals.com>

<http://www.4manuals.cc>

<http://www.manual-lib.com>

<http://www.404manual.com>

<http://www.luxmanual.com>

<http://aubethermostatmanual.com>

Golf course search by state

<http://golfingnear.com>

Email search by domain

<http://emailbydomain.com>

Auto manuals search

<http://auto.somanuals.com>

TV manuals search

<http://tv.somanuals.com>