

LTC 9312/00



Security Systems

EN | Instruction Manual
Indoor Dome
Housings

BOSCH

Important Safeguards

1. **Read, Follow, and Retain Instructions** - All safety and operating instructions should be read and followed before operating the unit. Retain instructions for future reference.
2. **Heed Warnings** - Adhere to all warnings on the unit and in the operating instructions.
3. **Electrical Connections** - Only a qualified electrician should make electrical connections.
4. **Cable Runs** - All cable runs must be within permissible distances.
5. **Mounting** - This unit must be properly and securely mounted to a supporting structure capable of sustaining the weight of the unit. Accordingly:
 - a. The installation should be made by a qualified installer, in compliance with local codes.
 - b. Exercise care in selecting suitable hardware to install the unit, taking into account both the composition of the mounting surface and the weight of the unit. Periodically examine the unit and the supporting structure to ensure that the integrity of the installation is intact.

Failure to comply with these stipulations may result in separation from the support structure. This may cause damages or injury to anyone or anything struck by the falling unit.

6. **Attachments** - Attachments not recommended by the product manufacturer should not be used, as they may cause hazards.

1 UNPACKING

This mechanical equipment should be unpacked and handled carefully.

Check for the following items:

Qty.	Item
1	LTC 9312/00
1	Clear dome
2	Support channels
1	Black opaque liner
1	FM2 camera bracket assembly
1	Black dust cover

If an item appears to have been damaged in shipment, replace it properly in its carton and notify the shipper. If any items are missing, notify your Bosch Security Systems Inc. Sales Representative or Customer Service.

The shipping carton is the safest container in which the unit may be transported. Save it for possible future use.

2 SERVICE

If the unit ever needs repair service, the customer should contact the nearest Bosch Security Systems, Inc. Service Center for return authorization and shipping instructions.

Service Centers

USA

Phone: 800-366-2283 or 717-735-6638
fax: 800-366-1329 or 717-735-6639

CCTV Spare Parts

Phone: 800-894-5215 or 408-956-3853 or 3854
fax: 408-957-3198
e-mail: BoschCCTVparts@ca.slr.com

Canada

Phone: 514-738-2434

Europe, Middle East & Asia Pacific Region

Phone: 32-1-440-0711

For additional information, see
www.boschsecuritysystems.com.

3 INSTALLATION

1. Remove the contents from the box.
2. Remove the ceiling tile in the desired location.
3. Place the acrylic dome in the chosen location; the dome will rest on the ceiling grid. (Be sure the grid is adequately supported.)
4. Using a utility knife or scissors, carefully cut a hole in the black opaque liner, for the camera to view through.
NOTE: Smaller cutouts allow more discreet viewing.
5. Place the black opaque liner into the acrylic dome and rotate it to the desired viewing position.
6. Align the long slots of two FM2 camera bracket arms.
7. Using a carriage bolt, 5/16in. washer, 1/4in. washer, lockwasher, and hex nut, attach the bracket arms together loosely. See FIGURE 1.
8. Slide the smaller channel through the slot on the larger support channel. See FIGURE 2. Use the 1/4 x 20 bolt supplied to connect the FM2 to the support channels (via the center hole in the two channels). **BE CAREFUL WHEN HANDLING THE SUPPORT CHANNELS; EDGES MAY BE SHARP.**
9. Securing tabs are provided to hold the bracket between the liner. Bend the corresponding tab with a screwdriver.
10. Connect the camera to the FM2 bracket, and place the assembly in the dome so the edges of the bracket rest on the flange of the dome.
11. Tighten all connections and complete wiring the camera.
12. A tex-wipe is provided to clean the dome.
13. Place the black dust cover over the top of the dome, so the dust cover is sitting on the supporting channels.



USE ONLY WITH A CLASS 2 POWER SUPPLY.

For added flexibility, the camera can be mounted on either the short or the long side of the bracket arm.

PARTS LIST

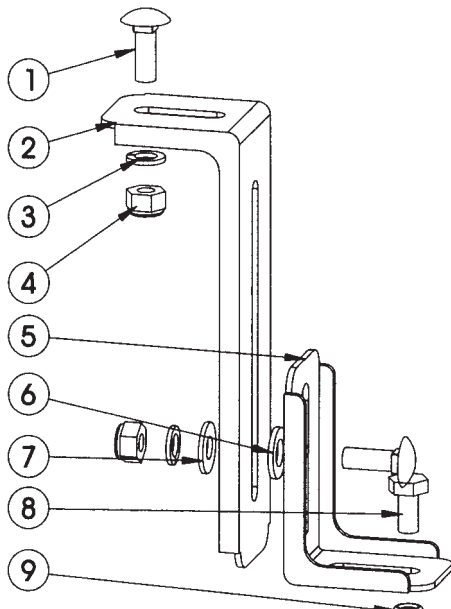


FIGURE 1

Part No.	Qty.	Description
1	2	90-BTCA01 1/4-20 x 3/4in. Zinc Carriage
2	1	30-VL696 4 in 1 Camera Bracket
3	2	92-WSSL01 1/4 Split Lockwasher 18-8 SS
4	2	91-NTHH02 1/4-20 Hex Nut 18-8 SS
5	1	30-VL732 0-1 Multiple Camera Bracket
6	1	92-WSFL05 5/16 Flat Washer SS
7	1	92-WSFL01 1/4 SAE Flat Washer 18-8 SS
8	2	90-BTHH11 1/4-20 x 1/2 Hex Head Zinc
9	1	96-RSORNG -009 O-ring

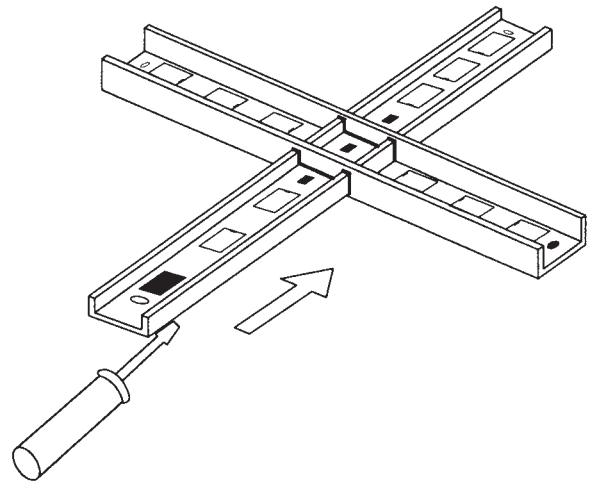


FIGURE 2

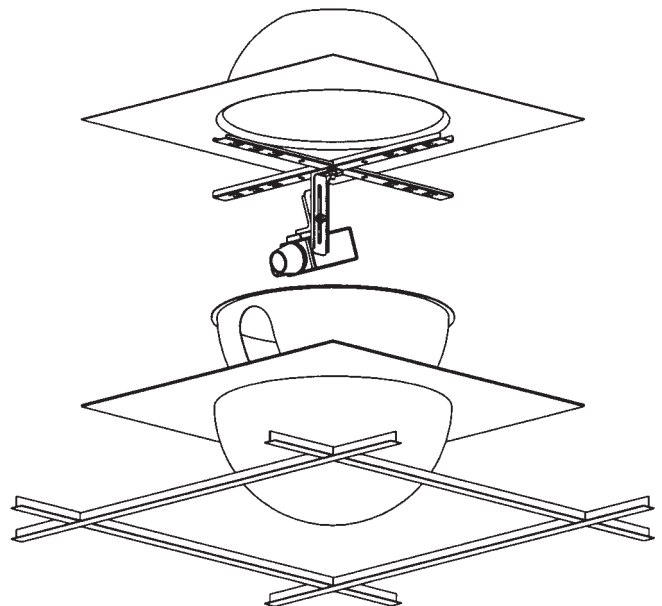


FIGURE 3

Bosch Security Systems, Inc.
850 Greenfield Road
Lancaster, PA 17601 USA
Tel: 800-326-3270
Fax: 1-717-735-6560
www.boschsecuritysystems.com

Bosch Security Systems B.V.
P.O. Box 80002
5600 JB Eindhoven
The Netherlands
Tele +31 40 27 80000

Bosch Security Systems Pte Ltd.
38C Jalan Pemimpin
Singapore 577180
Republic of Singapore
Tel: 65 (6) 319 3486

Free Manuals Download Website

<http://myh66.com>

<http://usermanuals.us>

<http://www.somanuals.com>

<http://www.4manuals.cc>

<http://www.manual-lib.com>

<http://www.404manual.com>

<http://www.luxmanual.com>

<http://aubethermostatmanual.com>

Golf course search by state

<http://golfingnear.com>

Email search by domain

<http://emailbydomain.com>

Auto manuals search

<http://auto.somanuals.com>

TV manuals search

<http://tv.somanuals.com>