



BOSCH



Bosch - HBA73B550 brushed steel Built-in single oven

- Pyrolytic self-cleaning function
- Multifunction oven with 8 cooking functions: conventional heat, hot air plus, pizza setting, bottom heat, hot air grilling, full width variable grill, half width variable grill, defrost
- Extra large capacity oven with grey enamel
- Grey interior enamel
- Automatic rapid heating up
- Automatic switch off
- Child lock
- Maximum window temperature 50° C
- Pop-out controls
- Electronic clock
- Oven interior light
- Full glass inner door
- Integral cooling fan
- Telescopic shelf rails as optional accessory
- Cable with plug (1.20 m)

Optional accessories:

- HEZ327000 : Baking stone
- HEZ338356 : 3 level telescopic shelf rails,full ext.
- HEZ915001 : Glass roasting dish, 5,1 L
- HEZ390800 : Enamelled multipurpose dish
- HEZ336000 : Glass pan
- HEZ333001 : Lid for professional pan
- HEZ332070 : Multipurpose pan, suit. pyrolytic clean.
- HEZ334000 : Wire shelf
- HEZ324000 : Inlaid wire shelf for multipurpose pan
- HEZ331070 : Enam. baking tray, suit. pyrol.cleaning
- HEZ317000 : Pizza pan
- HEZ6000 : Metal roasting dish, 5 l
- HEZ325070 : Grill tray, suitable pyrolit. self-clean
- HEZ338250 : 2 level telescopic shelf rails
- HEZ333070 : Profi Pan, suit. pyrolytic self-cleaning
- HEZ338352 : 3 level telescopic shelf rails

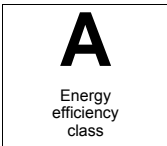
Characteristics

Color / Material Front : Stainless steel
 Built-in / Free-standing : Built-in
 Integrated Cleaning system - cavity 1 : Pyrolytic
 Required niche size for installation (HxWxD) : 575-597 x 560 x 550
 Dimensions of the product (mm) : 595 x 595 x 548
 Dimensions of the packed product (HxWxD) (mm) : 670 x 670 x 680
 Control Panel Material : Stainless steel
 Door Material : Glass
 Net weight (kg) : 37.00
 Usable volume (of cavity) - cavity 1 (l) : 56
 Cooking method first cavity : Defrost, Hot Air, Conventional heat, Bottom heat, Hot air grilling, Full width variable grill, Pizza setting, Half width variable grill
 First cavity material : Enameled
 Temperature control - cavity 1 : electronic
 Time control - cavity 1 : electronic
 Interior Lights - cavity 1 : 1
 Approval certificates : VDE, CE
 Length electrical supply cord (cm) : 120.0
 Appliance Dimensions (h x w x d) (in) : x x
 Dimensions of the packed product (in) : 26.377 x 26.377 x 26.771
 Net weight (lbs) : 82.465

Alternative colors available:

Consumption and connection features

Energy consumption conventional (kWh) - cavity 1 : 0.89
 Energy consumption forced air convection (kWh) - cavity 1 : 0.79
 Electrical connection rating (W) : 3650
 Current (A) : 16
 Voltage (V) : 220-240
 Frequency (Hz) : 60; 50



Electric built-in oven
 Bosch - HBA73B550

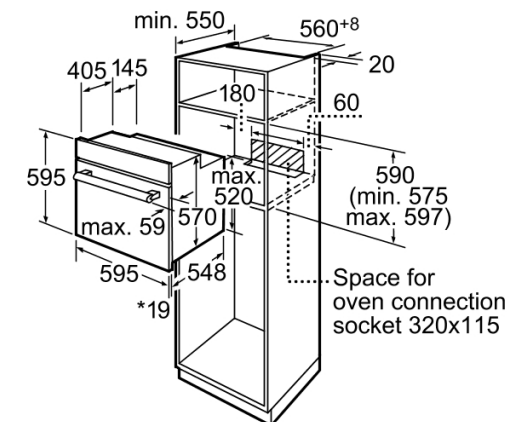
Predecessor:
 Successor:

EAN code: 4242002492049

sales programme:

Included accessories:

1 x enamel baking tray, suit. pyrol. clean., 1 x combination grid, 1 x universal pan, suit. pyrol. clean.



*20 mm for metal fascias

Measurements in mm

Free Manuals Download Website

<http://myh66.com>

<http://usermanuals.us>

<http://www.somanuals.com>

<http://www.4manuals.cc>

<http://www.manual-lib.com>

<http://www.404manual.com>

<http://www.luxmanual.com>

<http://aubethermostatmanual.com>

Golf course search by state

<http://golfingnear.com>

Email search by domain

<http://emailbydomain.com>

Auto manuals search

<http://auto.somanuals.com>

TV manuals search

<http://tv.somanuals.com>