

LTC9316/00P



Security Systems

EN

Installation Manual
Standard Pole

BOSCH

Table of Contents

1	DESCRIPTION.....	2
2	UNPACKING.....	2
3	SERVICE.....	2
4	4 INSTALLATION.....	3
	4.1 Site Preparation.....	3
	4.2. Installation.....	3
	4.3 Mounting the AutoDome™.....	4

1 DESCRIPTION

The LTC 9316/00P units are 16 foot steel mounting poles for use with Unity® Domes, AutoDomes®, and the LTC 9320 Series of Outdoor Fixed Domes.

2 UNPACKING

Unpack carefully. This is mechanical equipment and should be handled with care.

Check for the following:

- Packet Assembly for LTC 9316/00P:
 - 1 Bosch Adapter Plate.
 - 4 3/8 x 1-in Stainless Steel Hex Head Bolt.
 - 4 5/16-18 Stainless Steel Hex Nut.
 - 4 5/16 Stainless Steel Flat Wash.
 - 4 3/8 Stainless Steel Split Lockwasher.
 - 4 5/16 Stainless Steel Split Lockwasher.
 - 1 Wiring grommet
 - 1 Conduit plug
 - 1 Installation Instructions (This Manual).
- Steel Pole

If an item appears to have been damaged in shipment, replace it properly in its carton and notify the shipper. If any items are missing, notify your Bosch Security Systems Sales Representative or Customer Service.

The shipping carton is the safest container in which the unit may be transported. Save it for possible future use.

3 SERVICE

If the unit ever needs repair service, the customer should contact the nearest Bosch Security Systems Service Center for authorization to return and shipping instructions.

Service Centers

U.S.A.: Phone: 800-366-2283 or 408-956-3895
 fax: 800-366-1329 or 408-956-3896
 e-mail: NationalServiceCenter@ca.slr.com

Canada: 514-738-2434

Europe, Middle East & Asia Pacific Regions:
 32-1-440-0711

For additional information, see www.boschsecuritysystems.com

4 INSTALLATION

This installation should be made by qualified service personnel and conform to the National Electrical Code and applicable local codes.



Please read these instructions carefully before proceeding, and heed all cautions.

4.1 Site Preparation



NOTE: Special attention must be paid to the size of the wiring conduit and its location within the concrete foundation and jig (if applicable). The Wiring Conduit can be up to 2" in diameter. Use reducers if necessary. Also, make sure that the Wiring Conduit is in the center of the foundation and Anchor Jig during installation (Figure 1).

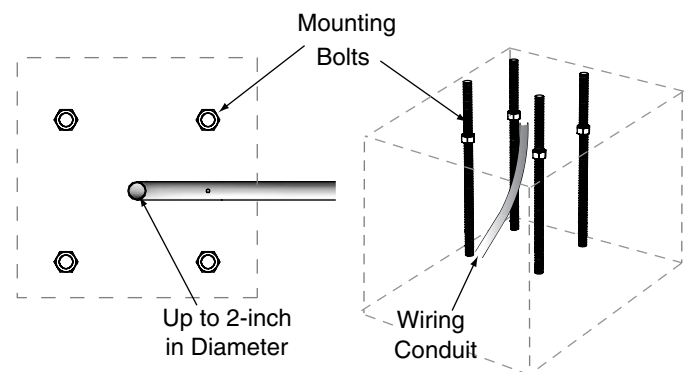


Figure 1 Mounting Bolts & Wiring Conduit Location

1. Select a suitable site for the LTC 9316/00P and prepare the pad site using a hole 36" x 36" x 36" deep. The top of the concrete foundation should be flush with the ground.



CAUTION: Be sure that there are no underground electric or phone cables or gas or water lines in the area where the pole will be located.

2. To help reinforce the concrete foundation, place (12) 1/2" diameter x 32" long Reinforcement Bars (*rebar*) as shown in Figure 2. Use suitable preparation methods to place the rebar.

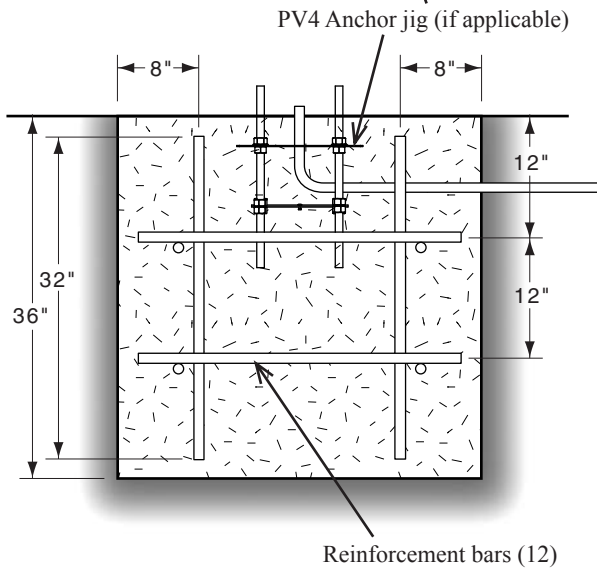
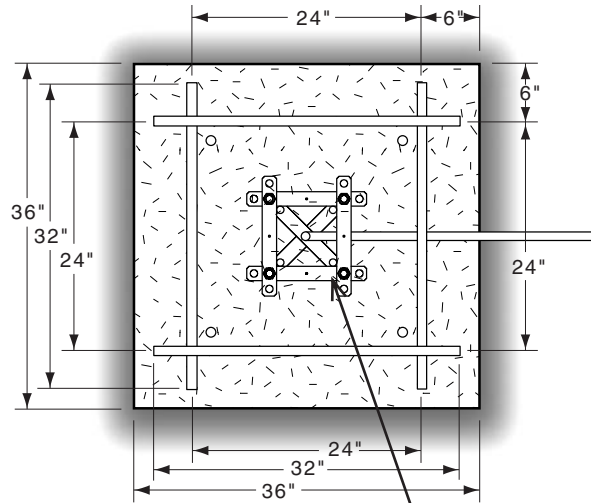


Figure 2 Reinforcement Bars

3. FOR ANCHOR BOLT INSTALLATIONS:
Pour concrete per manufacturer's directions, making sure that the wiring conduit is in the center of the pad. See Figure 3 (next page) for dimensions of the bolt pattern and suspend appropriate bolts in the concrete around the wiring conduit. Leave 2" to 3" of the Bolts protruding above the pad. If you are using leveling nuts, leave 4" to 6" protruding.

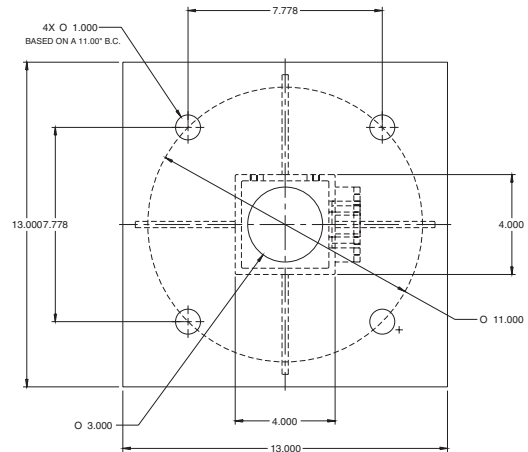


Figure 3 Anchor Bolt Dimensions



NOTE: Prepare the concrete per manufacturer's directions. The concrete must have a compressive strength of 3000 psi, and must be fabricated following ACI318-89 requirements. Allow the concrete foundation to cure thoroughly before proceeding with the installation.

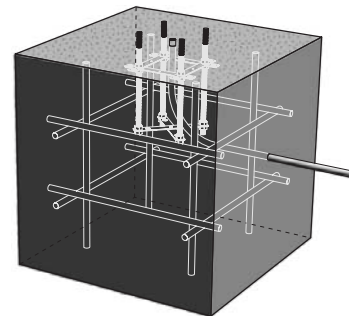


Figure 4 View of Concrete Foundation

4.2 Installation



NOTE: Be sure that the pole is oriented properly, with the carriage.

1. Place the pole on the pad with the holes on the Base Plate aligned with the bolts of the anchor bolts or anchor jig (Figure 5).
2. Remove the access opening plates at the bottom and top.

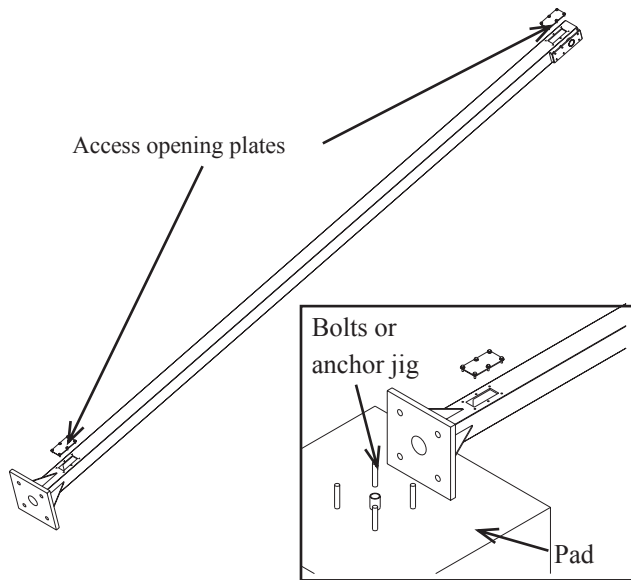


Figure 5 Placement of Pole on Pad

3. Insert the wiring into the 3" diameter hole in the base of the pole. Be sure all slack is pulled completely through.
4. Insert connecting wiring into the bottom access opening, run through the pole up to the top access opening. Insert the end through the housing connecting hole. Close the top access opening and make necessary wiring connections at the bottom access opening (Figure 6).

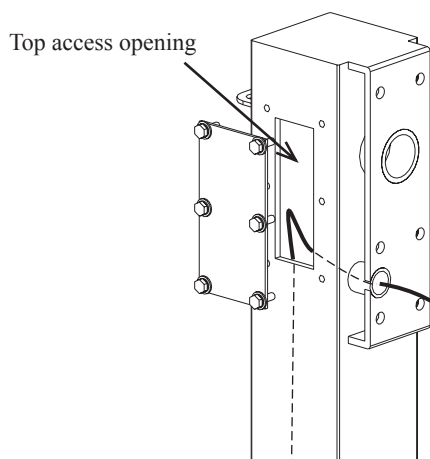


Figure 6 Connecting Wiring Through Pole

5. Slowly lift the pole into the upright position, aligning the holes of the Base Plate with the Bolts in the concrete pad (Figure 7).

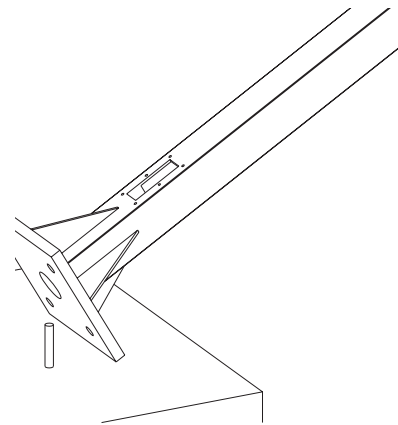


Figure 7 Lifting the Pole into Position

CAUTION: Pull all slack in the wiring as you lift the pole into position to keep from pinching and possible damage.

6. Ensure that the pole is vertical on all sides. Use a bubble level or plumb bob to check.
7. Secure the pole to the pad with fasteners (Figure 8).

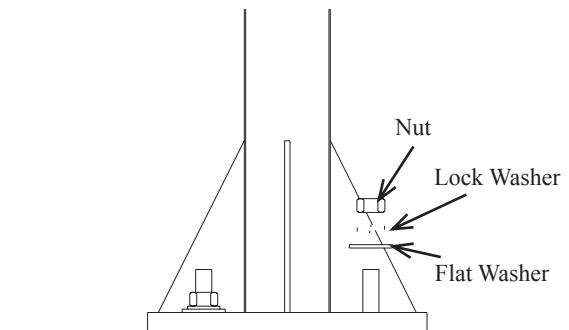


Figure 8 Securing the Pole to the Pad

4.3 Mounting the AutoDome®

1. Align the holes of the AutoDome adapter plate with the holes on the mounting plate at the top of the pole (Figure 9).

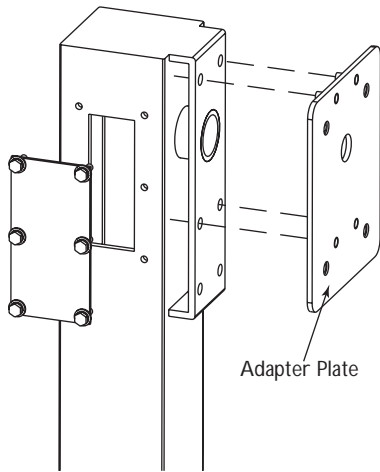


Figure 9 Aligning Adapter Plate with Mounting Plate

2. Attach the LTC 9540/xx Wall Bracket adapter plate, using the provided hex head nuts and bolts, flat washers, and lockwashers (see Figure 10).

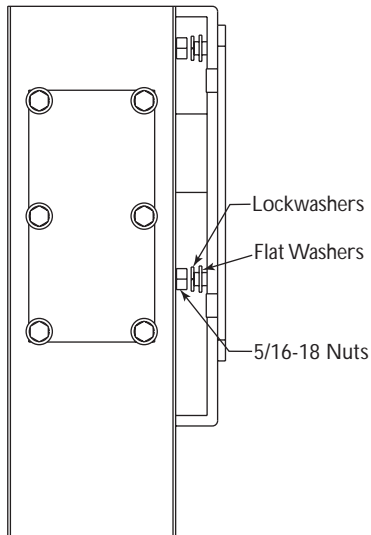


Figure 10 Attaching the Adapter Plate

3. Attach the LTC 9540/xx Wall Bracket to the adapter plate using recommended 8 mm (5/16-inch) bolts/studs (refer to the LTC 9540/xx Installation Instructions). Bolts should be secured with nuts, washers, and lockwashers.

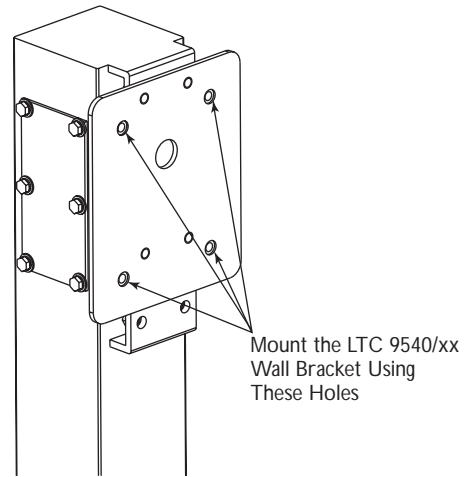


Figure 11 Mounting the LTC 9540/xx Wall Bracket

5 SPARE PARTS

Part No.	Description
LTC9316AP	LTC 9540/xx Wall Arm Adapter Plate

Bosch Security Systems, Inc.
850 Greenfield Road
Lancaster, PA 17601 EE.UU.
Tel: 800-326-3270
Fax: 1-717-735-6560
www.boschsecuritysystems.com

Robert Bosch GmbH
Geschäftsbereich
Postfach 10 60 50
70049 Stuttgart
Telefax (07 11) 8 11-12 34

Bosch Security Systems B.V.
P.O. Box 80002
5600 JB Eindhoven
The Netherlands
Tele +31 40 27 80000

© 2005 Bosch Security Systems GmbH
3935 890 38012 | 28 June | Data subject to change without notice.

BOSCH

Free Manuals Download Website

<http://myh66.com>

<http://usermanuals.us>

<http://www.somanuals.com>

<http://www.4manuals.cc>

<http://www.manual-lib.com>

<http://www.404manual.com>

<http://www.luxmanual.com>

<http://aubethermostatmanual.com>

Golf course search by state

<http://golfingnear.com>

Email search by domain

<http://emailbydomain.com>

Auto manuals search

<http://auto.somanuals.com>

TV manuals search

<http://tv.somanuals.com>