

IP200 MiniDome In-Ceiling Mount

NDA-FMT200-DOME



BOSCH

en Installation Manual

Table of Contents

1	Safety	4
1.1	Safety precautions	4
2	Unpacking	5
2.1	Parts List	5
3	Installation Overview	6
4	Installing a Recessed Mount	7
4.1	Overview	7
4.2	Installing the Recessed Mount	7
4.3	Installing the Camera to the Recess Mount	11
5	Connection	14

1 Safety

Before installing and operating the camera, please read this manual carefully.

1.1 Safety precautions

DANGER!



High risk: This symbol indicates an imminently hazardous situation such as "Dangerous Voltage" inside the product. If not avoided, this will result in an electrical shock, serious bodily injury, or death.

WARNING!



Medium risk: Indicates a potentially hazardous situation. If not avoided, this could result in minor or moderate bodily injury.

CAUTION!



Low risk: Indicates a potentially hazardous situation. If not avoided, this could result in property damage or risk of damage to the unit.

NOTICE!



This symbol indicates information or a company policy that relates directly or indirectly to the safety of personnel or protection of property.

This manual is the intellectual property of Bosch Security Systems and is protected by copyright. All rights reserved.
Contact: www.boschsecurity.com

2 Unpacking

This equipment should be unpacked and handled with care. If an item appears to have been damaged in shipment, notify the shipper immediately.

Verify that all the parts listed in the applicable Parts List below are included. If any items are missing, notify your Bosch Security Systems Sales or Customer Service Representative.

The original packing carton is the safest container in which to transport the unit and must be used if returning the unit for service. Save it for possible future use.

2.1 Parts List

The following table lists the parts included in the In-ceiling (recessed) mount (NDA-FMT200-DOME):

Quantity	Part
1	In-ceiling mount: NDA-FMT200-DOME
1	White trim ring A (inner diameter: 102 mm) with two M3 captive screws
1	White trim ring B (inner diameter: 98 mm) with two M3 captive screws
4	Four M4 x 6 mm screws
4	Four M4 x 15 mm screws
1	Security Torx T-10 L wrench
1	Installation manual (this booklet)

3 Installation Overview

The IP200 MiniDome camera comes with the hardware and installation instructions necessary to mount the camera to a concrete ceiling.

This following mounting accessory is available :

- In-ceiling mount, used in applications where the camera is mounted into a recessed ceiling.

The mount is supplied with two different trim rings and different tooling hole positions on the sides of the recess mount. Use the table below to choose the ring and hole position for your camera.

Trim ring	Hole	Camera
Ring A	A	NDN-265-PIO
Ring B	B	NDC-225-P NDC-225-PI NDC-255-P NDC-265-P

The installation should be made by qualified installation personnel and conform to the National Electrical Code and applicable local codes.

4 Installing a Recessed Mount

4.1 Overview

This chapter details how to install a recessed mount for the IP200 MiniDome.

NOTICE!

The image sensors in modern cameras are highly sensitive and require special care for proper performance and extended lifetime. Follow the guidelines for optimum results with your camera:



- Do not expose to direct sunlight or bright spotlights in operating and nonoperating conditions.
- Avoid bright lights in the field of view of the camera. Bright lights cause a “smearing” effect, which is visible as white lines above and below the highlight. Prolonged exposure to bright lights may cause bleaching of the sensor’s color filters. This will be visible as colored spots in the picture and is irreversible.

4.2 Installing the Recessed Mount

To mount to a recess mount, do the following:

1. Determine a secure location for the recessed mount.

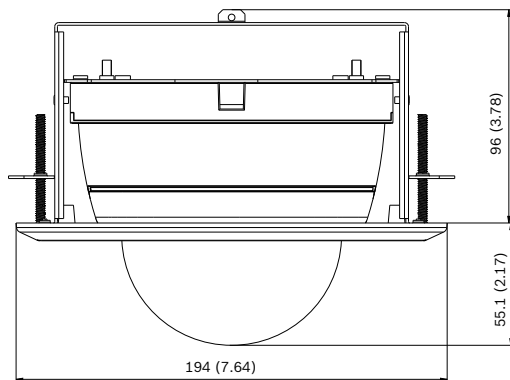


Figure 4.1 Recess Mount Dimensions

2. Drill or cut a 7 in. hole with a tolerance of $\pm 1/8$ in. (177.8 mm \pm 2.2 mm).
3. Optional: if installing the camera to a suspended ceiling tile or any other surface where additional support is required, the LTC 9349MK mounting kit (sold separately) is recommended. See the instruction book supplied with the mounting bracket for installation instructions.

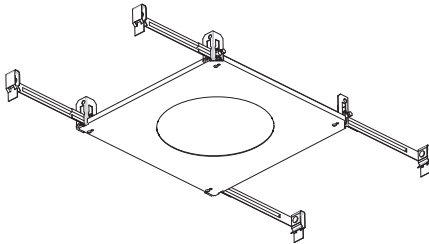


Figure 4.2 Mounting bracket

4. Align holes of mounting plate (supplied with dome) with mounting bracket and attach with screws. Ensure that both the crescent shape of the mounting plate and the crescent shape of the mounting bracket are aligned.
5. Ensure that the clamping plates are angled inward by pushing up and into the two slots.
6. Insert mount through the hole and into the ceiling. Slide clamps out and down so that the drywall is clamped in between the clamps and the bracket flange, 41.7 mm (1.64 in.) maximum ceiling thickness and 9.7 mm (0.38 in.) minimum ceiling thickness).

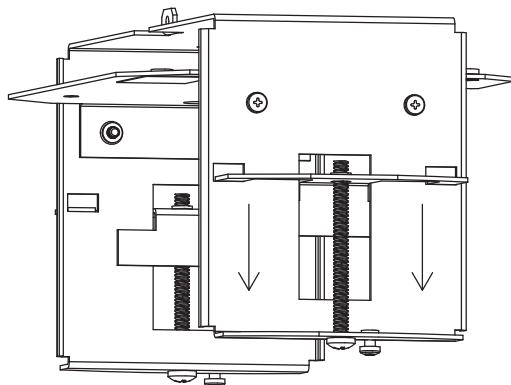


Figure 4.3 Attach Recess Mount to Ceiling

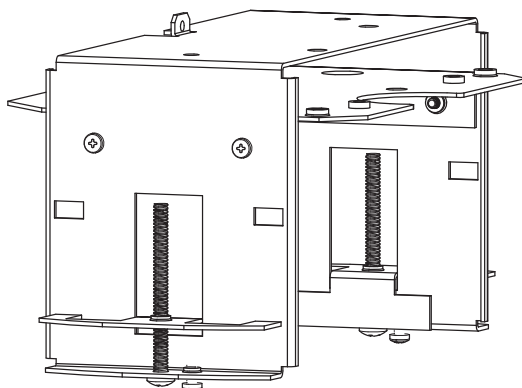


Figure 4.4 Attach Recess Mount to Ceiling

7. Tighten both clamps to the ceiling using supplied screws and a #2 Phillips screwdriver.

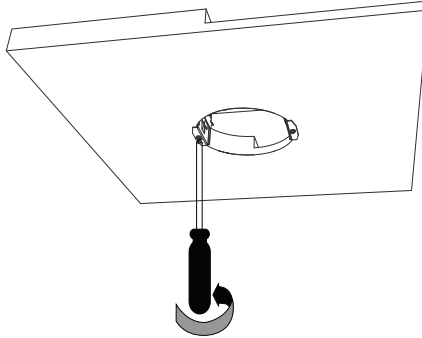


Figure 4.5 Tighten Mounting Clamps



NOTICE!

Over torquing the ceiling clamps can damage the clamp or ceiling. Only tighten the clamp until it contacts the ceiling and you start to feel some resistance. If using a power screwdriver, set the torque level to the lowest setting.

4.3 Installing the Camera to the Recess Mount

To install the camera to the recess mount, follow these steps:



CAUTION!

All wires for installation applications must be routed through a grounded conduit.

1. Route wires on the side of mounting plate with the crescent shaped cut-out.
2. Connect the cables according to the instructions in the IP200 MiniDomes Installation Manual.

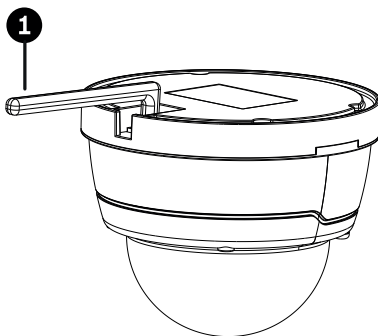
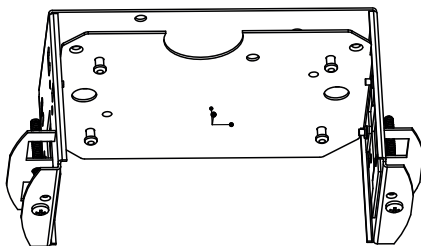


Figure 4.6 Match Connectors

- 1 Cable out

3. Attach the camera to the recess mount by removing the upper housing/bubble from the camera (use the wrench supplied with the camera), and attaching the camera base

to the mount using the M4 x 15 mm mounting screws. Ensure that the cable is aligned with the cutout in the recess mount.

4. Attach the camera base, and then install the upper housing/bubble. (See the camera User Manual for details.)

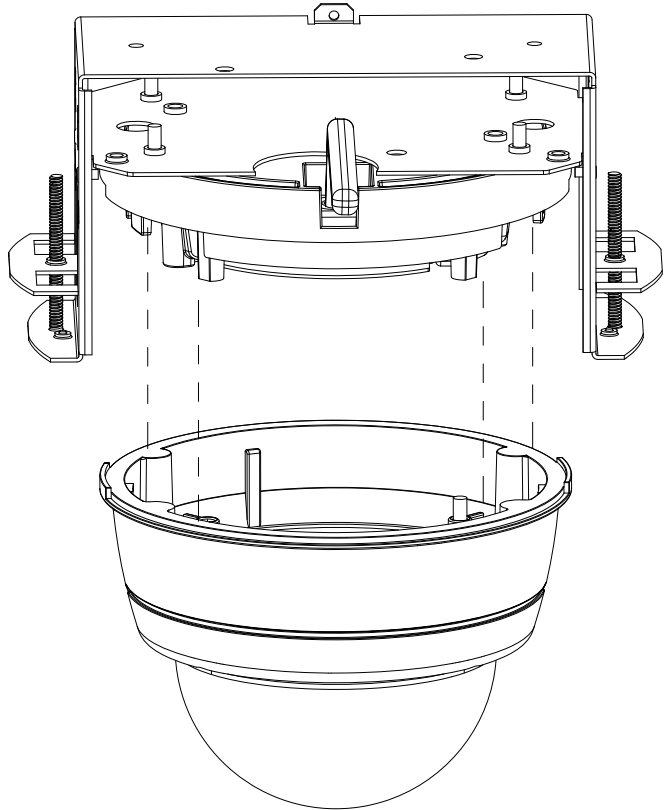


Figure 4.7 Attach Camera to Recess Mount



NOTICE!

The recessed mounting bracket is provided with an additional safety tether point. To prevent injury, attach a safety wire from a secure anchor point above the ceiling to this tether point.

5. Align the two mounting screws attached to the trim ring with the two mounting holes in the recess mount.

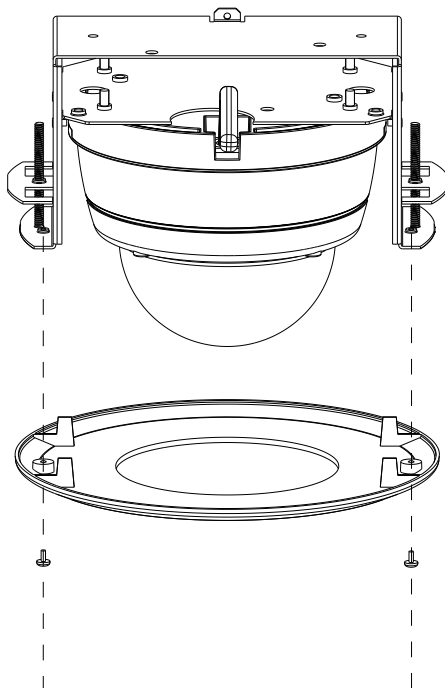


Figure 4.8 Align Trim Ring

6. Fit the plastic trim ring. Use the supplied T-10 Torx wrench to secure the trim ring's two safety locking screws to the mounting bracket.

5 Connection

After the camera is mounted, connect the network cable and the power cable.

**CAUTION!**

Do not connect power to the camera until all other connections are made.

**CAUTION!**

Installation should only be performed by qualified service personnel in accordance with the National Electrical Code or applicable local codes.

**CAUTION!**

All wires for installation applications must be routed through a grounded conduit.

**CAUTION!**

To prevent humidity problems, the camera must be installed in dry conditions, and the cable leads should be sealed once connected.

Please refer to the IP200 Minidome series User Manual for further instructions on camera connections and configuration.

Bosch Security Systems

www.boschsecurity.com

© Bosch Security Systems, 2012

Free Manuals Download Website

<http://myh66.com>

<http://usermanuals.us>

<http://www.somanuals.com>

<http://www.4manuals.cc>

<http://www.manual-lib.com>

<http://www.404manual.com>

<http://www.luxmanual.com>

<http://aubethermostatmanual.com>

Golf course search by state

<http://golfingnear.com>

Email search by domain

<http://emailbydomain.com>

Auto manuals search

<http://auto.somanuals.com>

TV manuals search

<http://tv.somanuals.com>