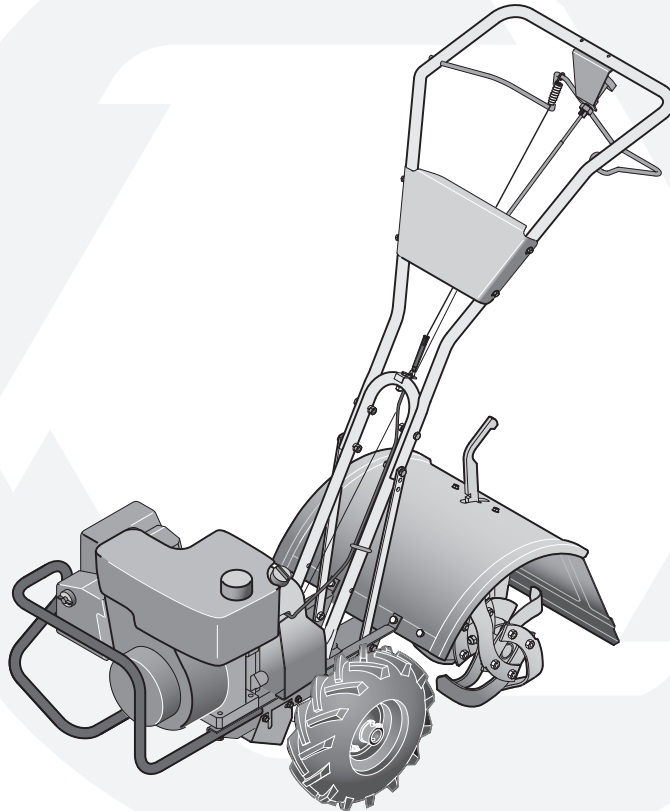


OPERATOR'S MANUAL



Rear-Tine Tiller - Model 643B, 643C & 645A

IMPORTANT:

**READ SAFETY RULES AND INSTRUCTIONS
CAREFULLY BEFORE OPERATING EQUIPMENT.**

This Operator's Manual is an important part of your new equipment. It will help you assemble, prepare and maintain the unit for best performance. Please read and understand what it says.

Table of Contents


Safety Operation Practices.....	3	Maintenance & Off-Season Storage.....	17
Assembly.....	5	Trouble Shooting.....	22
Features & Controls.....	9	Warranty.....	23
Operating Your Tiller.....	12	Illustrated Parts Lists.....	24

Finding and Recording Model Number

BEFORE YOU START ASSEMBLING YOUR NEW EQUIPMENT,

please locate the model plate on the equipment and copy the the model number and the serial number to the sample model plate provided to the right. You can locate the model plate by standing at the operating position and looking down at the rear of the machine.

Model Number Numéro de modèle	Serial Number Numéro de série
XXX-XXXXXX	XXXXXXXXXXXX

 TROYBILT - CANADA
KITCHENER, ON N2G 4J1

Customer Support

Please do **NOT** return the unit to the retailer from which it was purchased, without first contacting Customer Support.

If you have difficulty assembling this product or have any questions regarding the controls, operation or maintenance of this unit, You can seek help from the experts. choose from the options below:

1. Visit www.troybilt.ca for many useful suggestions, click on Customer Support button.
2. Call a Customer Support Representative at **1-800-668-1238**.
3. The engine manufacturer is responsible for all engine-related issues with regards to performance, power-rating, specifications, warranty and service. Please refer to the engine manufacturer's Owner's/Operator's Manual, packed separately with your unit, for more information.

Please have your unit's model number and serial number ready when you call. See previous section to locate this information. You will be asked to enter the serial number in order to process your call.



DANGER: This machine was built to be operated according to the rules for safe operation in this manual. As with any type of power equipment, carelessness or error on the part of the operator can result in serious injury. This machine is capable of amputating hands and feet and throwing objects. Failure to observe the following safety instructions could result in serious injury or death.

Training

1. Read, understand, and follow all instructions on the machine and in the manual(s) before attempting to assemble and operate. Keep this manual in a safe place for future and regular reference and for ordering replacement parts.
2. Be familiar with all controls and their proper operation. Know how to stop the machine and disengage them quickly.
3. Never allow children under 14 years old to operate this machine. Children 14 years old and over should read and understand the operation instructions and safety rules in this manual and should be trained and supervised by a parent.
4. Never allow adults to operate this machine without proper instruction.
5. Keep bystanders, helpers, pets and children at least 75 feet from the machine while it is in operation. Stop machine if anyone enters the area.

Preparation

1. Thoroughly inspect the area where the equipment is to be used. Remove all stones, sticks, wire, and other foreign objects which could be tripped over and cause personal injury.
2. Wear sturdy, rough-soled work shoes and close fitting slacks and shirt. Loose fitting clothes or jewelry can be caught in movable parts. Never operate this machine in bare feet or sandals.
3. Disengage clutch levers and shift (if provided) into neutral ("N") before starting the engine.
4. Never leave this machine unattended with the engine running.
5. Never attempt to make any adjustments while engine is running, except where specifically recommended in the operator's manual.
6. To avoid personal injury or property damage use extreme care in handling gasoline. Gasoline is extremely flammable and the vapors are explosive. Serious personal injury can occur when gasoline is spilled on yourself or your clothes which can ignite. Wash your skin and change clothes immediately.
7. Use only an approved gasoline container.
8. Extinguish all cigarettes, cigars, pipes and other sources of ignition.
9. Never fuel machine indoors.
10. Never remove gas cap or add fuel while the engine is hot or running.
11. Allow engine to cool at least two minutes before refueling
12. Never over fill fuel tank. Fill tank to no more than ½ inch below bottom of filler neck to provide space for fuel expansion.
13. Replace gasoline cap and tighten securely.

14. If gasoline is spilled, wipe it off the engine and equipment. Move machine to another area. Wait 5 minutes before starting the engine.
15. Never store the machine or fuel container inside near an open flame, spark or pilot light (e.g. furnace, water or space heater, clothes dryer etc.).
16. Allow machine to cool 5 minutes before storing.

Operation

1. Do not put hands or feet near rotating parts. Contact with the rotating parts can amputate hands and feet.
2. Do not operate machine while under the influence of alcohol or drugs.
3. Never operate this machine without good visibility or light. Always be sure of your footing and keep a firm hold on the handles.
4. Keep bystanders, helpers, pets, and children at least 75 feet from the machine while it is in operation. Stop the machine if anyone enters the area.
5. Be careful when tilling in hard ground. The tines may catch in the ground and propel the tiller forward. If this occurs, let go of the handle bars and do not restrain the machine.
6. Exercise extreme caution when operating on or crossing gravel surfaces. Stay alert for hidden hazards or traffic. Do not carry passengers.
7. Never operate the machine at high transport speeds on hard or slippery surfaces.
8. Exercise caution to avoid slipping or falling.
9. Look down and behind and use care when in reverse or pulling machine towards you.
10. Start the engine according to the instructions found in this manual and keep feet well away from the tines at all times.
11. After striking a foreign object, stop the engine, disconnect the spark plug wire and ground against the engine. Thoroughly inspect the machine for any damage. Repair the damage before starting and operating.
12. Disengage all clutch levers (if fitted) and stop engine before you leave the operating position (behind the handles). Wait until the tines come to a complete stop before unclogging the tines, making any adjustments, or inspections.
13. Never run an engine indoors or in a poorly ventilated area. Engine exhaust contains carbon monoxide, an odorless and deadly gas.
14. Muffler and engine become hot and can cause a burn. Do not touch.
15. Use caution when tilling near fences, buildings and underground utilities. Rotating tines can cause property damage or personal injury.
16. Do not overload machine capacity by attempting to till soil to deep at to fast of a rate.

1

Safe Operation Practices



WARNING

This symbol points out important safety instructions which, if not followed, could endanger the personal safety and/or property of yourself and others. Read and follow all instructions in this manual before attempting to operate this machine. Failure to comply with these instructions may result in personal injury. When you see this symbol.

HEED ITS WARNING!

Your Responsibility
Restrict the use of this power machine to persons who read, understand and follow the warnings and instructions in this manual and on the machine.

1

Safe Operation Practices



WARNING

This symbol points out important safety instructions which, if not followed, could endanger the personal safety and/or property of yourself and others. Read and follow all instructions in this manual before attempting to operate this machine. Failure to comply with these instructions may result in personal injury. When you see this symbol.

HEED ITS WARNING!

Your Responsibility

Restrict the use of this power machine to persons who read, understand and follow the warnings and instructions in this manual and on the machine.

17. If the machine should start making an unusual noise or vibration, stop the engine, disconnect the spark plug wire and ground it against the engine. Inspect thoroughly for damage. Repair any damage before starting and operating.
18. Keep all shields, guards and safety devices in place and operating properly.
19. Never pick up or carry machine while the engine is running.
20. Use only attachments and accessories approved by the manufacturer. Failure to do so, can result in personal injury.
21. If situations occur which are not covered in this manual, use care and good judgment. Contact Customer Support or your authorized dealer.

Maintenance & Storage

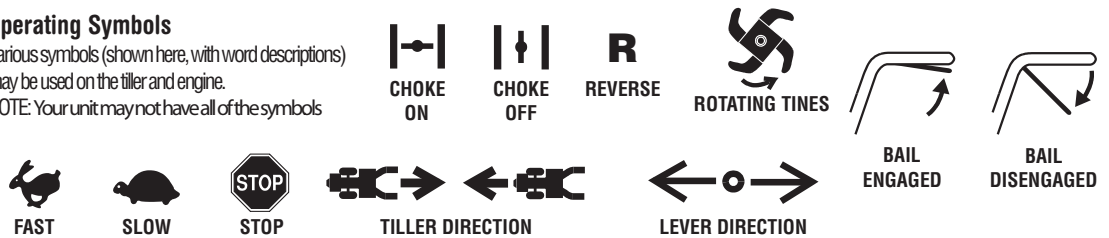
1. Never tamper with safety devices. Check their proper operation regularly.
2. Check bolts and screws for proper tightness at frequent intervals to keep the machine in safe working condition. Also, visually inspect machine for any damage.
3. Before cleaning, repairing, or inspecting, stop the engine and make certain the tines and all moving parts have

- stopped. Disconnect the spark plug wire and ground it against the engine to prevent unintended starting.
4. Do not change the engine governor settings or over-speed the engine. The governor controls the maximum safe operating speed of the engine.
5. Maintain or replace safety and instruction labels, as necessary.
6. Follow this manual for safe loading, unloading, transporting, and storage of this machine.
7. Never store the machine or fuel container inside where there is an open flame, spark or pilot light such as a water heater, furnace, clothes dryer etc.
8. Always refer to the operator's manual for proper instructions on off-season storage.
9. If the fuel tank has to be drained, do this outdoors.
10. Observe proper disposal laws and regulations for gas, oil, etc. to protect the environment.



Operating Symbols

Various symbols (shown here, with word descriptions) may be used on the tiller and engine.
NOTE: Your unit may not have all of the symbols





WARNING: To prevent personal injury or property damage, do not start the engine until all assembly steps are complete and you have read and understand the safety and operating instructions in this manual.

INTRODUCTION

Carefully follow these assembly steps to correctly prepare your tiller for use. It is recommended that you read this Section in its entirety before beginning assembly.

NOTE: Various tiller models are presented in this manual. Use only the information appropriate for your tiller model. Engine styles vary by model. Your engine may appear differently than those illustrated in this manual.

TOOLS / MATERIALS NEEDED

- | | |
|---|---|
| (2) 1/2" open-end wrench* | (1) Block of wood (to support tiller when removing wheels) |
| (2) 9/16" open-end wrench* | (1) Tire pressure gauge (for models with pneumatic tires) |
| (1) 3/8" open-end wrench* | (1) Clean oil funnel |
| (1) Large adjustable wrench (Models 643B & 645A only) | (1) Motor oil. Refer to the Engine Owner's Manual for oil specifications and quantity required. |
| (1) Scissors (to trim plastic ties) | |
| (1) Ruler (for belt tension check) | |

* Adjustable wrenches may be used.

ASSEMBLY STEPS

STEP 1: UNPACKING INSTRUCTIONS

NOTE: While unpacking, do not severely bend any control cables.

1. The tiller weighs approximately 133 lbs. Do not attempt to remove it from the shipping platform until instructed to do so in these Assembly steps.
2. Remove any packaging material from the carton. Remove any staples from the bottom of the carton and remove the carton from the shipping platform.
3. Remove all unassembled parts and the separate hardware bag from the carton. Check that you have the items listed in the Loose Parts List (contact your local dealer or the factory items are missing or damaged).

NOTE: Use the screw length template (Fig. 2-1) to identify screws.

Loose Parts List

Qty.	Description
1	Handlebar Support (see A, Fig. 2-2)
1	Handlebar Assembly (see K, Fig. 2-2)

Hardware bag contents:

4	Hex hd. screw, 5/16-18 x 1-1/2"
2	Hex hd. screw, 3/8-16 x 3/4"
2	Flat Washer, 3/8"
4	Split lock washer, 5/16"
4	Hex nut, 5/16"-18
2	Hex locknut, 3/8"-16

*Models 643B & 645A only

IMPORTANT: Motor oil must be added to the engine crankcase before the engine is started. Follow the instructions in this Section and in the separate Engine Owner's Manual.

STEP 2: ATTACH HANDLEBAR

1. Loosely attach the legs of the handlebar support (A, Fig. 2-2) to the inner sides of the tiller frame using two 3/8"-16 x 3/4" hex hd. screws (B), 3/8" flat washers, and 3/8"-16 hex locknuts.
2. Using two 5/16"-18 x 1-1/2" screws (C), 5/16" split lock washers (D) and 5/16"-18 hex nuts (G), loosely attach the handlebar support (A) using the upper holes. Tighten the two screws securely.

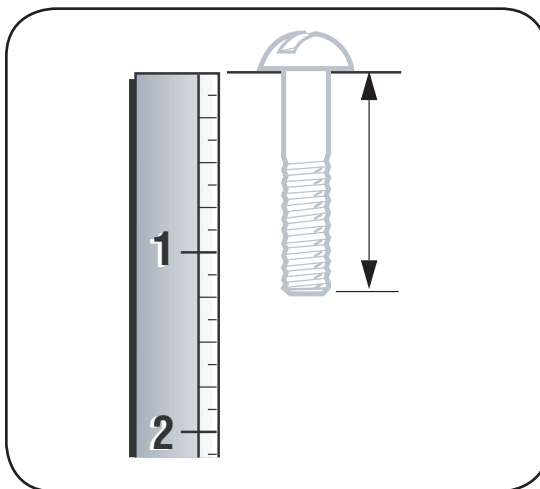


Figure 2-1: To identify length of screws, place screw on template as shown and measure distance between bottom of screw head and tip of screw.

2

Assembly



NOTE: Stand behind the tiller as if you were going to operate it. Your right hand corresponds to the right side of the tiller; your left hand corresponds to the left side of the tiller.

NOTE: This operator's manual may cover various models of tillers. The units illustrated may vary slightly from your unit. Follow only those instructions which pertain to your model number.

IMPORTANT

This unit is shipped without gasoline or oil in the engine. Fill up gasoline and oil as instructed in the accompanying engine manual **BEFORE** operating your machine.

2

Assembly



IMPORTANT: The support brackets must be assembled to the outside of the handlebar assembly.

IMPORTANT: Before starting the engine, the wheels must be placed in the WHEEL DRIVE position (pins through wheel hubs and wheel shaft). This procedure is described in *Wheel Drive Pins* on page 10.

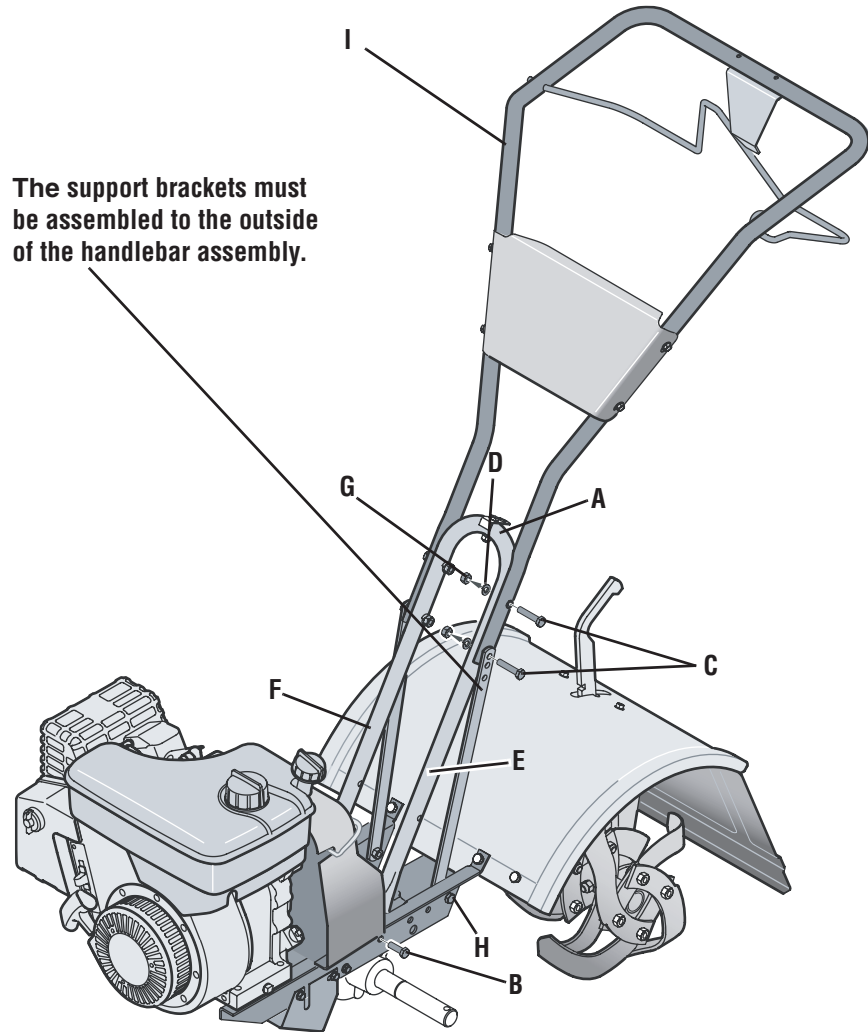


Fig. 2.2: Attach handlebar.

3. There are three height adjustment holes in the two handlebar support brackets (E and F, Fig. 2-2). Use a setting that will position the handlebars at approximately waist level when the tines are 3"-4" into the soil. Loosely attach the support brackets to the outside of the handlebar assembly (I) using two 5/16"-18 x 1-1/2" screws (G), 5/16" split lock washers (D) and 5/16"-18 hex nuts (G). NOTE: If a support bracket will not move, loosen attaching screw (H) and nut.
4. Tighten all handlebar mounting hardware securely.

STEP 3: MOVE TILLER OFF CRATE

To roll the tiller off the shipping platform, put the wheels in freewheel, as follows:

1. Place a sturdy block under the transmission to raise one wheel about 1" off the ground.
2. Remove the Klik Pin (J, Fig. 2-3) from the wheel hub (K) and wheel shaft (L).

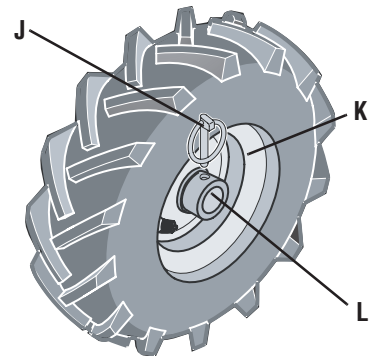


Fig. 2.3: Wheel in FREEWHEEL position (wheel drive pin through wheel shaft only).

3. Slide the wheel fully inward on the wheel shaft (N, Fig. 2-3). Reinstall the Klik pin (J) through the wheel shaft (L) only (not through the wheel hub). The wheel should now spin freely (freewheel) on the wheel shaft. Repeat with the other wheel.
4. Use the handlebar to roll the tiller to a flat area.

STEP 4: INSTALL FORWARD CLUTCH CABLE

- Carefully unwrap the forward clutch cable (cable without an attached knob) from its shipping position and slide the thin cable wire (M, Fig. 2-4) into the slot in the cable bracket. Push the cable connector (N, Fig. 2-4) up through the hole in the bracket until the groove in the connector snaps into place.
- Thread the #10-24 hex nut (Z, Fig. 2-5) halfway onto the screw (V) which runs through the spring (W, Fig. 2-5).
- Thread the screw (V) into the cable adjuster (X).
- Check for correct tension on the forward drive belt by taking two measurements of the cable spring, as follows:
 - With the Forward Clutch Bail (Y, Fig. 2-6) in an open (released) position, measure the length of the cable spring (W) from the outermost coil to the outermost coil.

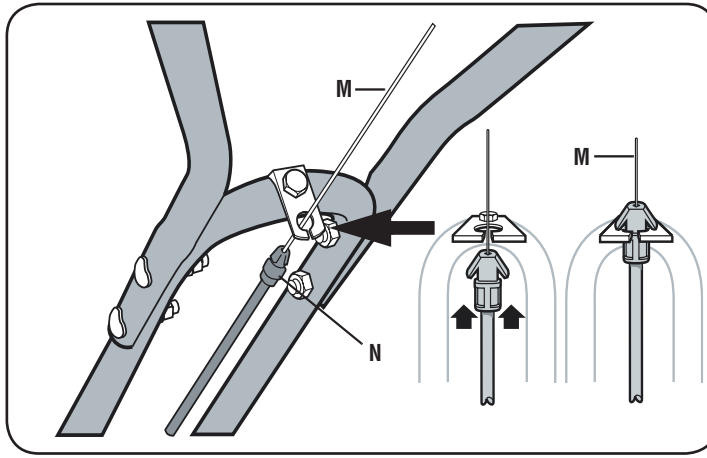


Fig. 2-4: Installing forward clutch cable bracket and cable.

2

Assembly



NOTE: Incorrect cable tension can result in belt slippage (cable tension too loose), or unintentional tine movement when the clutch bail is in Neutral (cable tension too tight).

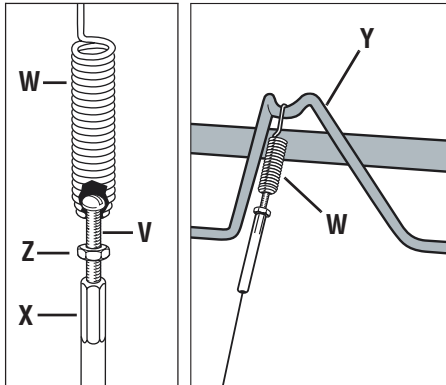


Fig. 2-5: Cable spring and adjuster.

Fig. 2-6: Attach forward clutch cable spring to forward clutch bail.

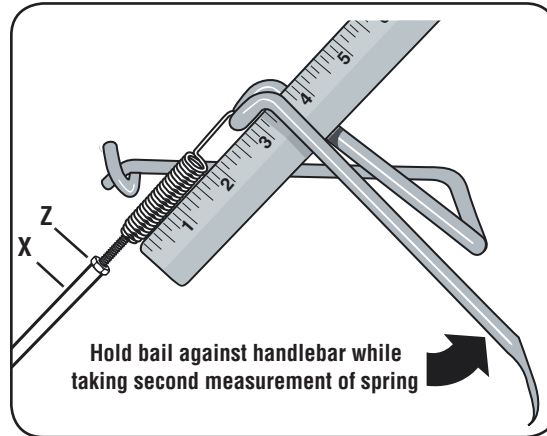


Fig. 2-7 : To check forward belt tension, take two measurements of the length of the coils in the spring — first with the bail open, then with the bail held against the handlebar.

STEP 5: INSTALL REVERSE CLUTCH CABLE (MODELS 643B AND 645A ONLY)

- Squeeze the Forward Clutch Bail against the handlebar (see Fig. 2-7) and re-measure the spring length. The belt tension is correct if this second measurement is between 1/16" to 3/16" longer than the first measurement. If so, turn the hex nut (Z, Fig. 2-7) tightly against the cable adjuster (X) while preventing the cable adjuster from turning.
 - If the spring length is incorrect, you must adjust the cable tension as described in Checking and Adjusting Forward Drive Belt Tension in Section 5. Incorrect cable tension can result in belt slippage (cable tension too loose), or unintentional tine movement when the clutch bail is in Neutral (cable tension too tight).
- Unwrap the reverse clutch cable (CC, Fig. 2-8 and Fig. 2-9) from its shipping position and route it up to the handlebar. Be sure that the cable is routed beneath the Forward Clutch Bail.
 - Insert the cable (CC, Fig. 2-8) through the slot in the cable bracket and position the flat side of the threaded assembly next to the flat side of the hole. Slide the hex nut (DD) up the cable and tighten it securely.
 - Fasten the reverse clutch cable to the left side handlebar with a cable tie (EE, Fig. 2-9).
 - Test the function of the reverse clutch by pulling out and releasing the cable knob. The knob should return to its neutral position (resting against bracket). If it doesn't, contact your local dealer.

2

Assembly



WARNING

Read, understand, and follow all instructions and warnings posted on the machine and in this manual before operating.

STEP 6: CHECK TRANSMISSION OIL LEVEL

The transmission was filled with gear oil at the factory. However, you should check the gear oil level at this time to make certain it is correct.

IMPORTANT: Do not operate the tiller if the gear oil level is low. Doing so will result in severe damage to the transmission components.

1. With the tiller on level ground, pull the Depth Regulator Lever (FF, Fig. 2-10) back and then all the way up until the lowest notch in the lever is engaged.
2. Remove the oil fill plug (GG, Fig. 2-11) from the transmission housing cover and locate the main drive shaft situated inside the housing.
3. The gear oil level is correct if the gear oil is approximately halfway up the side of the main drive shaft.
4. If the oil level is low, add gear oil by referring to A. To Check the Transmission Gear Oil Level in Section 5.

STEP 7: ADD MOTOR OIL

The tiller is shipped without oil in the engine.

IMPORTANT: Do not start the engine without first adding motor oil. Severe engine damage will result if the engine is run without oil.

1. Refer to the separate Engine Owner's Manual for engine oil specifications and capacities.
2. With the tiller on level ground, move the Depth Regulator Lever (FF, Fig. 2-10) up or down until the engine is level.
3. Add motor oil as described in the Engine Owner's Manual.
4. Move the Depth Regulator Lever all the way down until the highest notch is engaged. This places the tines in the "travel" position, which allows the tiller to be moved without the tines touching the ground.

STEP 8: CHECK HARDWARE

Check all nuts and screws for tightness.

STEP 9: CHECK AIR PRESSURE IN TIRES (units with pneumatic tires)

Check the air pressure with a tire gauge. Deflate or inflate the tires equally to between 15 PSI and 20 PSI (pounds per square inch). Be sure that both tires are inflated equally or the unit will pull to one side.

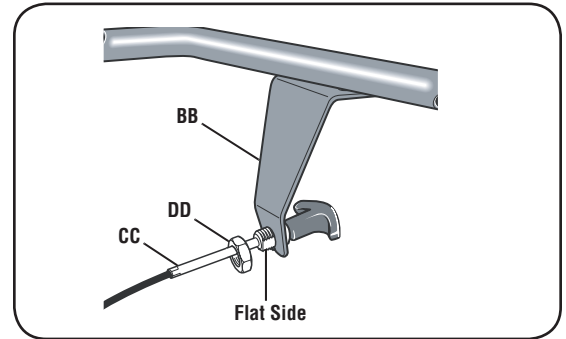


Fig. 2-8: Install reverse cable bracket and reverse clutch cable.

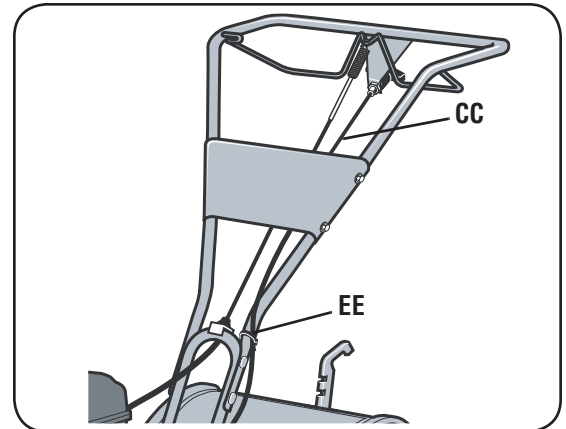


Fig. 2-9: Route reverse clutch cable (CC) as shown. Attach with cable tie (EE).

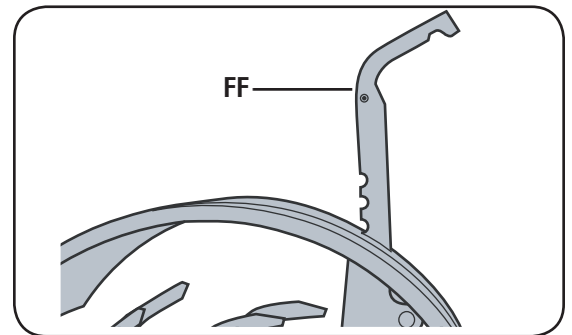


Fig. 2-10: Adjust Depth Regulator Lever.



Fig. 2-11: Remove gear oil fill plug.

3

Features and Controls



WARNING

Before operating your machine, carefully read and understand all safety, controls and operating instructions in this Manual, the separate Engine Owner's Manual, and on the decals on the machine. Failure to follow these instructions can result in serious personal injury.

Use extreme care when handling gasoline. Gasoline is extremely flammable and the vapors are explosive. *Never* fuel the machine indoors or while the engine is hot or running. Extinguish cigarettes, cigars, pipes, and other sources of ignition.

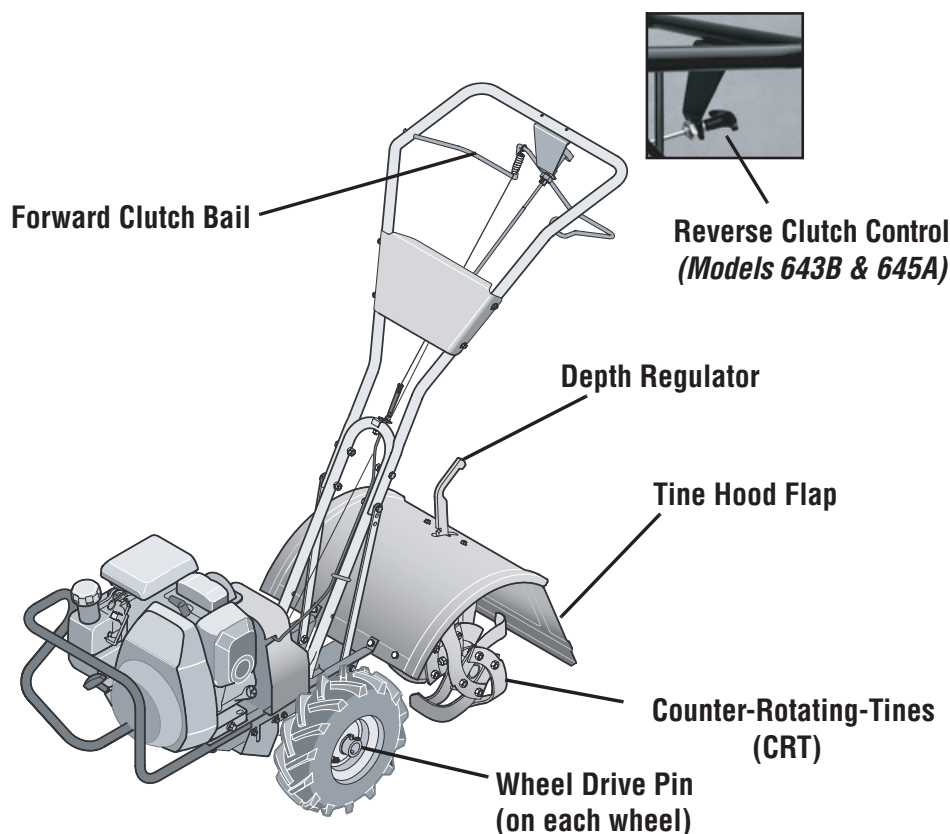


Figure 3-1: Tiller features and controls. See separate Engine Owner's Manual to identify engine controls.

INTRODUCTION

This Section describes the location and function of the controls on your tiller. Refer to the following Section, Operation for detailed operating instructions.

Practice using these controls, with the engine shut off, until you understand the operation of the controls and feel confident with each of them.

ENGINE CONTROLS

Refer to the engine manufacturer's Engine Owner's Manual (included in the tiller literature package) to identify the controls on your engine.

IMPORTANT: The control for stopping the engine is located on the engine.

WHEEL DRIVE PINS

Each wheel is equipped with a wheel drive Klik pin (A, Figures 3-2 and 3-3) that secures the wheel to the wheel shaft (B). The wheels can be positioned in either a WHEEL DRIVE or a FREEWHEEL mode.



WARNING: Never allow either of the wheels to be in the FREEWHEEL position when the engine is running. Always put both wheels in the WHEEL DRIVE position before starting the engine.

Failure to comply could cause loss of tiller control, property damage, or personal injury.



WARNING: Do not place tiller on its side when changing wheel drive positions. Doing so could result in gasoline leaking from the fuel tank. Failure to follow this instruction could result in personal injury or property damage.

1. Stop engine, disconnect spark plug wire from spark plug and allow engine to cool.
2. Raise one wheel about one inch off the ground and place a sturdy support under the transmission.

3

Features and Controls



WARNING

Do not attempt to till too deeply too quickly. Gradually work down to deeper tilling depths.

Place the Depth Regulator Lever in the “travel” position before starting the engine. This position prevents the tines from touching the ground until you are ready to begin tilling.

Failure to follow this warning could result in personal injury or property damage.



See your engine manual packaged with your unit for detailed instructions pertaining to starting the engine.

3. Remove Klick Pin (A, Figures 3-2 and 3-3) from wheel drive shaft (B).
4. **FOR WHEEL DRIVE MODE** (Figure 3-2): Slide wheel outward and align holes in wheel hub (D, Figure 3-2) and wheel shaft (B). Insert Klick pin (A) through wheel hub (C) and wheel shaft (B). Repeat with the other wheel and then remove the support from beneath the transmission.

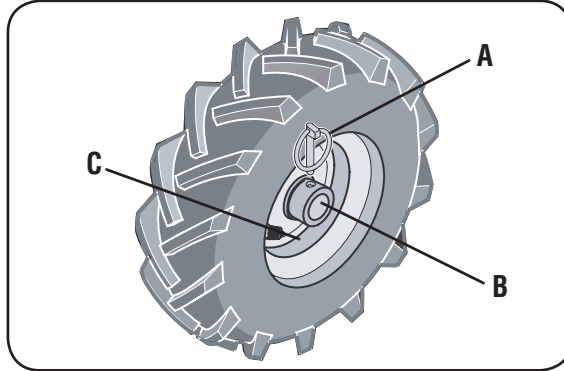


Figure 3-2: WHEEL DRIVE position.

5. **FOR FREEWHEEL MODE** (Figure 3-3): Slide the wheel inward and insert the Klick pin (A, Figure 3-3) only through the hole in the wheel shaft (B). Repeat for the other wheel and then remove the support from beneath the transmission.



WARNING: Before starting engine, be sure that both wheels are in WHEEL DRIVE position. See Wheels Drive Pins for instructions.

Engaging the Forward Clutch Bail or Reverse Clutch Control (if equipped) when the wheels are not in WHEEL DRIVE could allow the tines to rapidly propel the tiller forward or backward. Failure to comply could cause loss of tiller control, property damage, or personal injury.

FORWARD CLUTCH BAIL

The Forward Clutch Bail (D, Figure 3-4) controls the engagement of forward drive to the wheels and tines.

To operate the Forward Clutch Bail:

1. Put wheels in WHEEL DRIVE position (see “WARNING” statement above).
2. Lift and hold the clutch bail (D, Figure 3-4) against the handlebar to start the wheels and tines rotating in a forward direction.
3. Release the clutch bail to disengage (stop) the wheels and tines (the engine will continue to run).

REVERSE CLUTCH CONTROL (Models 643B & 645A only)

The Reverse Clutch Control (E, Figure 3-4) controls the engagement of reverse drive to the wheels and tines. **The reversing feature is used for maneuvering the tiller only — never engage the tines in the ground while operating in reverse.**

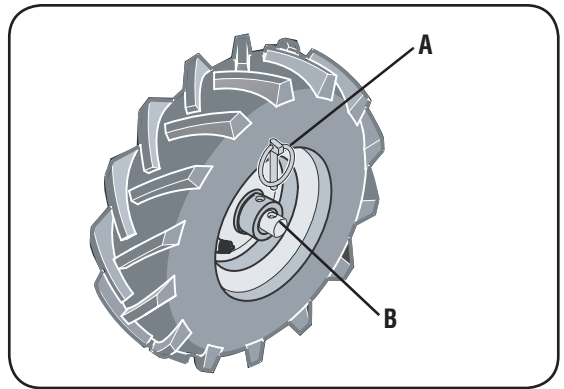


Figure 3-3: FREEWHEEL position.



WARNING: Use extreme caution when reversing or pulling the machine towards you. Look behind to avoid obstacles.

Never attempt to till in reverse.

Failure to follow this warning could result in personal injury or property damage.

To operate the Reverse Clutch Control:

1. Put wheels in WHEEL DRIVE position (see “WARNING” statement at the left).
2. Stop all tiller motion by releasing the Forward Clutch Bail.
3. Lift the handlebar until the tines clear the ground, look behind you to avoid any obstacles, and then pull the control knob (E, Figure 3-4) out. The wheels and tines will rotate in a reverse direction.

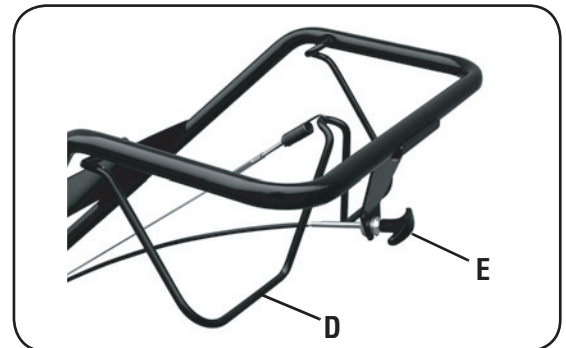


Figure 3-4: All models have a Forward Clutch Bail (E). Only Model 634A have a Reverse Clutch Control (F).

4. Release the control knob to disengage (stop) the wheels and tines (the engine will continue to run).

DEPTH REGULATOR LEVER

This lever (F, Figure 3-5) controls the tilling depth of the tines. Pull the lever back and slide it up or down to engage the notched height settings.

The “travel position” (highest notch) raises the tines approximately 1-1/2” off the ground, allowing the tiller to be moved without the tines contacting the ground. This setting should also be used when starting the engine.

Moving the lever upward will increase the tilling depth. The lowest notch allows a tilling depth of approximately 6", depending on soil conditions. For best results, always begin tilling at a very shallow depth setting and gradually increase the tilling depth.



WARNING: Do not attempt to till too deeply too quickly. Gradually work down to deeper tilling depths.

Place the Depth Regulator Lever in the "travel" position before starting the engine. This position prevents the tines from touching the ground until you are ready to begin tilling.

Failure to follow this warning could result in personal injury or property damage.

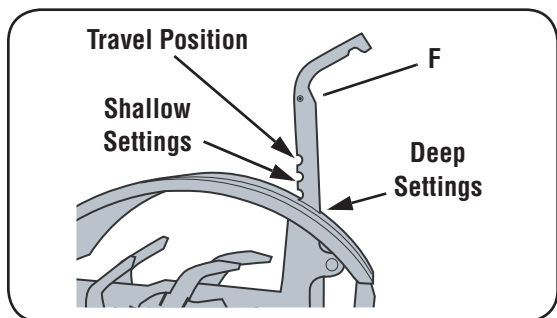


Figure 3-5: Depth Regulator Lever (G).

HANDLEBAR HEIGHT ADJUSTMENT

The handlebar height is adjustable to three different settings (Figure 3-6). In general, adjust the handlebars so they are at waist level when the tines are 3"-4" in the soil.

To adjust the handlebars:

1. Stop engine, disconnect spark plug wire from spark plug and allow engine to cool.
2. Remove hardware, reposition handlebars, and reinstall hardware securely.

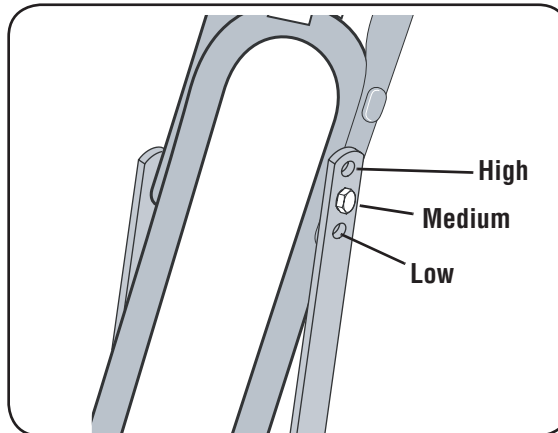


Figure 3-6: Handlebar height adjustment.

3

Features and Controls



WARNING

Be sure no one other than the operator is standing near the tiller while starting engine or operating the unit. Never run engine indoors or in enclosed, poorly ventilated areas. Engine exhaust contains carbon monoxide, an odorless and deadly gas. Keep hands, feet, hair and loose clothing away from any moving parts on engine and tiller.



See your engine manual packaged with your unit for detailed instructions pertaining to starting the engine.

4

Operating Your Tiller



WARNING

The tine clutch control is a safety device. Never attempt to bypass its operation.

Use extreme care when handling gasoline. Gasoline is extremely flammable and the vapors are explosive. Never fuel the machine indoors or while the engine is hot or running. Extinguish cigarettes, cigars, pipes, and other sources of ignition.

Keep hands and feet away from the tines. Refer to warning label on the unit.



WARNING: Before operating your machine, carefully read and understand all safety (Section 1), controls (Section 3) and operating instructions (Section 4) in this Manual, the separate Engine Owner's Manual, and on the decals on the machine.

Failure to follow these instructions can result in serious personal injury.

INTRODUCTION

Read this Operation Section and the separate Engine Owner's Manual before you start the engine. Then, take the time to familiarize yourself with the basic operation of the tiller before using it in the garden. Find an open, level area and practice using the tiller controls without the tines engaging the soil (put tines in "travel" setting). Only after you've become completely familiar with the tiller should you begin using it in the garden.

BREAK-IN OPERATION

Perform the following maintenance after the first two (2) hours of new operation (see Maintenance Section in this manual and in the Engine Owner's Manual).

1. Change engine oil.
2. Check for loose or missing hardware on unit. Tighten or replace as needed.
3. Check tension on forward drive belt.
4. Check transmission gear oil level.

STARTING AND STOPPING

Pre-Start Checklist

With the spark plug wire disconnected from the spark plug, perform the following checks and services before each use:

1. Read the Safety and Controls Sections in this manual. Read the separate Engine Owner's Manual provided with the unit.
2. Put the wheels in the WHEEL DRIVE position (wheel pins must be through holes in wheel hubs and wheel shaft).
3. Check unit for loose or missing hardware. Service as required.
4. Check engine oil level. See Engine Owner's Manual.
5. Check that all safety guards and covers are in place.
6. Check air cleaner and engine cooling system. See Engine Owner's Manual.



WARNING: GASOLINE IS HIGHLY FLAMMABLE AND ITS VAPORS ARE EXPLOSIVE. Follow gasoline safety rules in this Manual (see Section 1) and in the separate Engine Owner's Manual.

Failure to follow gasoline safety instructions can result in serious personal injury and property damage.

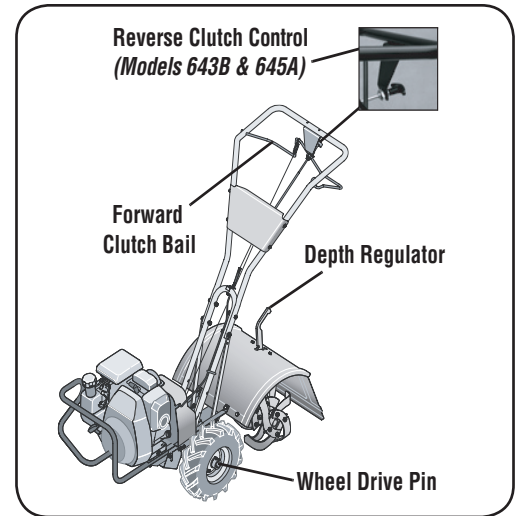


Figure 4-1: Tiller features and controls. See separate Engine Owner's Manual to identify engine controls.

7. Fill the fuel tank with gasoline according to the directions in the separate Engine Owner's Manual. Follow all instructions and safety rules carefully.
8. Attach spark plug wire to spark plug.

Starting the Engine

The following steps describe how to start and stop the engine.



WARNING: Do not attempt to engage the tines or wheels until you have read all of the operating instructions in this Section. Also, review the safety rules in Section 1: Safety, and the tiller and engine controls information in Section 3: Features and Controls.

1. Complete the Pre-Start Checklist on this page.
2. Put the wheels in the WHEEL DRIVE position (see Wheel Drive Pins in Section 3 of this manual).



WARNING: To help prevent serious personal injury or damage to equipment:

- Before starting engine, put both wheels in the WHEEL DRIVE position. Never have wheels in FREEWHEEL position when engine is running. When the wheels are in FREEWHEEL, they do not hold back the tiller and the tines could propel the tiller rapidly forward or backward.
- Before starting engine, put Forward Clutch Bail (all models) and Reverse Clutch Control (Models 643B & 645A only) in neutral (disengaged) positions by releasing levers.
- Never run engine indoors or in enclosed, poorly ventilated areas. Engine exhaust contains carbon monoxide, an odorless and deadly gas.
- Avoid engine muffler and nearby areas. Temperatures in these areas may exceed 150° F.

3. Move the Depth Regulator Lever all the way down to the “travel” position, so that the tines clear the ground.
4. Release all controls on the tiller.
5. On engine’s with a fuel shut-off valve, turn valve to open position, as instructed in the separate Engine Owner’s Manual.
6. Put ignition switch and/or throttle control lever located on engine in the “ON”, “RUN”, “FAST” or “START” position, as instructed in the Engine Owner’s Manual.
7. Choke or prime engine, as instructed in Engine Owner’s Manual.
8. Put one hand on fuel tank to stabilize unit when pulling starter rope handle. Then use recoil starter to start engine, as instructed in the Engine Owner’s Manual. When engine starts, gradually move choke lever (if so equipped) to “NO CHOKE”, “CHOKE OFF” or “RUN” position.
9. Use the “FAST” throttle speed setting when tilling.



Figure 4-2: Use one hand to guide tiller when moving forward.



Figure 4-3: Raise tines off ground and look behind when moving in reverse.

Stopping the Engine and Tiller

To stop the wheels and tines, release the Forward Clutch Bail (all models) or the Reverse Clutch Control (Models 643B & 645A) — whichever control is in use.

To stop the engine, put the ignition switch and/or the throttle control lever in the “OFF” or “STOP” position.

OPERATING THE TILLER

The following operating instructions provide guidelines to using your tiller effectively and safely. Be sure to read Tilling Tips & Techniques in this Section before actually putting the tines into the soil.

This is a “Counter-Rotating-Tine” (CRT) tiller. It operates differently from “Standard-Rotating-Tine” (SRT) tillers. As the wheels pull forward, the tines rotate backward, creating an “uppercut” action which digs deeply, uprooting soil and weeds.

1. Follow the Pre-Start Checklist at the beginning of this Section. Be sure that the wheels are in the WHEEL DRIVE position.
2. Move the Depth Regulator Lever all the way down, so that the tines clear the ground. Use this position when practicing with the tiller and when traveling between tilling sites. Before actually tilling, move the lever to the desired depth setting (see Tilling Tips & Techniques).
3. Start engine and allow it to warm up. Then put throttle in “FAST” setting.
4. For forward motion of the wheels and power to the tines:
 - a. Pull Forward Clutch Bail (Fig. 4-1) up against handlebar. Release bail to stop forward motion of wheels and tines.
 - b. When tilling, relax and let the wheels pull the unit while the tines dig. Walk behind and a little to one side of the unit. Use one hand, yet keep a light—but secure—grip on the handlebar (while keeping your arm loose). See Fig. 4-2. Let the unit move at its own pace and do not push down on the handlebars to try and force the tines to dig deeper — this takes weight off the wheels and reduces traction.
5. For reverse motion of the wheels and tines (Models 643B & 645A only):
 - a. Look behind and exercise caution when operating in reverse. Do not till while in reverse.
 - b. Stop all forward motion. Lift handlebar with one hand until tines are off the ground and then pull Reverse Clutch Control knob out (see Fig. 4-3). To stop reversing, let go of Reverse Clutch Control knob.
6. To move the Model 643C in reverse for short distances:
 - a. Release forward Clutch Bail. Then lift handlebar until tines are off the ground.



WARNING: Do not push down on the handlebars to try to make the tiller till more deeply. This prevents the wheels from holding the tiller back and can allow the tines to rapidly propel the tiller forward, which could result in loss of control, property damage, or personal injury.

4

Operating Your Tiller



WARNING

Be sure no one other than the operator is standing near the tiller while starting engine or operating the unit. Never run engine indoors or in enclosed, poorly ventilated areas. Engine exhaust contains carbon monoxide, an odorless and deadly gas. Keep hands, feet, hair and loose clothing away from any moving parts on engine and tiller.



See your engine manual packaged with your unit for detailed instructions pertaining to starting the engine.

4

Operating Your Tiller



WARNING

Do not operate tiller on a slope too steep for safe operation. Till slowly and be sure you have good footing. Never permit tiller to freewheel down slopes. Failure to follow this warning could result in personal injury.

Before tilling, contact your telephone or utilities company and inquire if underground equipment or lines are used on your property. Do not till near buried electric cables, telephone lines, pipes or hoses.

- b. Swing the handlebar to the left so the right wheel takes a "step" backward. Next swing the handlebar to the right so the left wheel "steps" backward. Repeat as needed.
 - c. If longer distances need to be covered in reverse, shut off the engine, then place the two wheels in FREEWHEEL.
7. To Turn the Tiller Around:
- a. Practice turning the tiller in a level, open area. Be very careful to keep your feet and legs away from the tines.
 - b. To begin a turn, lift the handlebars until the tines are out of the ground and the engine and tines are balanced over the wheels (Fig. 4-4).
 - c. With tiller balanced, push sideways on handlebar to steer in direction of turn (Fig. 4-5). After turning, slowly lower tines into soil to resume tilling.

Stopping the Tiller and Engine

1. To stop the wheels and tines, release the Forward Clutch Bail (all models) or the Reverse Clutch Control (Models 643B & 645A) — whichever control is in use.
2. To stop the engine, put the ignition switch and/or the throttle control lever in the "OFF" or "STOP" position.



Figure 4-4: To begin turn, lift handlebars until tines are out of ground and unit is balanced.



Figure 4-5: With tines out of ground, push handlebars sideways to turn tiller.

TILLING TIPS & TECHNIQUES

- This is a CRT (counter-rotating tine) tiller. As the wheels pull forward, the tines rotate backward. This creates an "uppercut" tine action which digs deeply, uprooting soil and weeds. Don't overload the engine, but dig as deeply as possible on each pass. On later passes, the wheels may tend to spin in the soft dirt. Help them along by lifting up slightly on the handlebar (one hand, palm up, works most easily).
- Avoid the temptation to push down on the handlebars in an attempt to force the tiller to dig deeper. Doing so takes the weight off the powered wheels, causing them to lose traction. Without the wheels to hold the tiller back, the tines will attempt to propel the tiller backward, towards the operator. (Sometimes, slight downward pressure on the handlebars will help get through a particularly tough section of sod or unbroken ground, but in most cases this won't be necessary.)
- When cultivating (breaking up surface soil around plants to destroy weeds, see Fig. 4-9), adjust the tines to dig only 1" to 2" deep. Using shallow tilling depths helps prevent injury to plants whose roots often grow close to the surface. If needed, lift up on the handlebars slightly to prevent the tines from digging too deeply. (Cultivating on a regular basis not only eliminates weeds, it also loosens and aerates the soil for better moisture absorption and faster plant growth.) Watering the garden area a few days prior to tilling will make tilling easier, as will letting the newly worked soil set for a day or two before making a final, deep tilling pass.

Choosing Correct Wheel & Tine Speeds With experience, you will find the "just right" tilling depth and tilling speed combination that is best for your garden.

Set the engine throttle lever at a speed to give the engine adequate power and yet allow it to operate at the slowest possible speed...at least until you have achieved the maximum tilling depth you desire. Faster engine speeds may be desirable when making final passes through the seedbed or when cultivating. Selection of the correct engine speed, in relation to the tilling depth, will ensure a sufficient power level to do the job without causing the engine to labor.

Let the Tiller Do the Work

While tilling, relax and let the wheels pull the tiller along while the tines do the digging. Walk on the side that is not yet finished (to avoid making footprints in the freshly tilled soil) and lightly, but securely grip the handlebar with just one hand.

Avoid Making Footprints

Whenever possible, walk on the untilled side of the unit to avoid making footprints in your freshly tilled or cultivated soil. Footprints cause soil compaction that can hamper root penetration and contribute to soil erosion. They can also “plant” unwanted weed seeds back into the freshly tilled ground.

Avoid Tilling Soggy, Wet Soil

Tilling wet soil often results in large, hard clumps of soil that can interfere with planting. If time permits, wait a day or two after heavy rains to allow the soil to dry before tilling. Test soil by squeezing it into a ball. If it compresses too easily, it is too wet to till.

Preparing Seedbeds

- When preparing a seedbed, go over the same path twice in the first row, then overlap one-half the tiller width on the rest of the passes (see Fig. 4-6). When finished in one direction, make a second pass at a right angle, as shown in Fig. 4-7. Overlap each pass for best results (in very hard ground, it may take three or four passes to thoroughly pulverize the soil.)
- If the garden size will not permit lengthwise and then crosswise tilling, then overlap the first passes by one-half a tiller width, followed by successive passes at one-quarter width (see Fig. 4-8).



Fig. 4-6

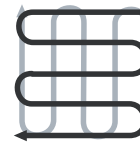


Fig. 4-7



Fig. 4-8

Cultivating

With planning, you can allow enough room between rows to cultivate (see Fig. 4-9). Leave room for the hood width, plus enough extra room for future plant growth.

Tilling On Slopes

Read the following recommendations before tilling on slopes:

If you must garden on a moderate slope, please follow two very important guidelines:

1. Till only on moderate slopes, never on steep ground where footing is difficult (review safety rules in Section 1: Safety of this manual).
2. We recommend tilling up and down slopes rather than terracing. Tilling vertically on a slope allows maximum planting area and also leaves room for cultivating.

IMPORTANT: When tilling on slopes, be sure the correct oil level is maintained in the engine (check every one-half hour of operation). The incline of the slope will cause the oil to slant away from its normal level and this can starve engine parts of required lubrication. Keep the motor oil level at the full point at all times!

Tilling Up and Down Slopes (Vertical Tilling)

- To keep soil erosion to a minimum, be sure to add enough organic matter to the soil so that it has good moisture-holding texture and try to avoid leaving footprints or wheel marks.
- When tilling vertically, try to make the first pass uphill as the tiller digs more deeply going uphill than it does downhill. In soft soil or weeds, you may have to lift the handlebars slightly while going uphill. When going downhill, overlap the first pass by about one-half the width of the tiller



Fig. 4-9

Clearing the Tines

The tines have a self-clearing action which eliminates most tangling of debris in the tines. However, occasionally dry grass, stringy stalks or tough vines may become tangled. Follow these procedures to help avoid tangling and to clean the tines, if necessary.

- To reduce tangling, set the depth regulator deep enough to get maximum “chopping” action as the tines chop the material against the ground. Also, try to till under crop residues or cover crops while they are green, moist and tender.
- While tilling, try swaying the handlebars from side to side (about 6” to 12”). This “fishtailing” action often clears the tines of debris.
- If tangling occurs, lift the tines out of the soil and run the tiller in reverse (if unit is equipped with powered reverse) for a few feet. This reversing action should unwind a good deal of debris.
- It may be necessary to remove the debris by hand (a pocket knife will help you to cut away the material). Be sure to stop the engine and disconnect the spark plug wire before clearing the tines by hand.

4

Operating Your Tiller



WARNING

Before clearing the tines by hand, stop the engine, allow all moving parts to stop and disconnect the spark plug wire. Remove the ignition key on electric start models.

Failure to follow this warning could result in personal injury

Loading and unloading the tiller into a vehicle is potentially hazardous and we don't recommend doing so unless absolutely necessary, as this could result in personal injury or property damage. However, if you must load or unload the tiller, follow the guidelines given .

4

Operating Your Tiller



WARNING

Loading and unloading the tiller into a vehicle is potentially hazardous and we don't recommend doing so unless absolutely necessary, as this could result in personal injury or property damage. However, if you must load or unload the tiller, follow the guidelines given next.

LOADING AND UNLOADING THE TILLER

- Before loading or unloading, stop the engine, wait for all parts to stop moving, disconnect the spark plug wire and let the engine and muffler cool.
- The tiller is too heavy and bulky to lift safely by one person. Two or more people should share the load.
- Use sturdy ramps and manually (engine shut off) roll the tiller into and out of the vehicle. Two or more people are needed to do this.
- The ramps must be strong enough to support the combined weight of the tiller and any handlers. The ramps should provide good traction to prevent slipping; they should have side rails to guide the tiller along the ramps; and they should have a locking device to secure them to the vehicle.
- The handlers should wear sturdy footwear that will help to prevent slipping.
- Position the loading vehicle so that the ramp angle is as flat as possible (the less incline to the ramp, the better). Turn the vehicle's engine off and apply its parking brake.
- When going up ramps, stand in the normal operating position and push the tiller ahead of you. Have a person at each side to turn the wheels.
- When going down ramps, walk backward with the tiller following you. Keep alert for any obstacles behind you. Position a person at each wheel to control the speed of the tiller. Never go down ramps tiller-first, as the tiller could tip forward.
- Place wooden blocks on the downhill side of the wheels if you need to stop the tiller from rolling down the ramp. Also, use the blocks to temporarily keep the tiller in place on the ramps (if necessary), and to chock the wheels in place after the tiller is in the vehicle.
- After loading the tiller, prevent it from rolling by engaging the wheels in the WHEEL DRIVE position. Chock the wheels with blocks and securely tie the tiller down.
- To create a terrace, start at the top of the slope and work down. Go back and forth across the first row as shown in Fig. 4-10.
- Each succeeding lower terrace is started by walking below the terrace you're preparing. For added stability of the tiller, always keep the uphill wheel in the soft, newly tilled soil. Do not till the last 12" or more of the downhill outside edge of each terrace. This untilled strip helps prevent the terraces from breaking apart and washing downhill. It also provides a walking path between rows.

TERRACE GARDENING

- To create a terrace, start at the top of the slope and work down. Go back and forth across the first row as shown in Figure 4-10.
- Each succeeding lower terrace is started by walking below the terrace you're preparing. For added stability of the tiller, always keep the uphill wheel in the soft, newly tilled soil. Do not till the last 12" or more of the downhill outside edge of each terrace. This untilled strip helps prevent the terraces from breaking apart and washing downhill. It also provides a walking path between rows.

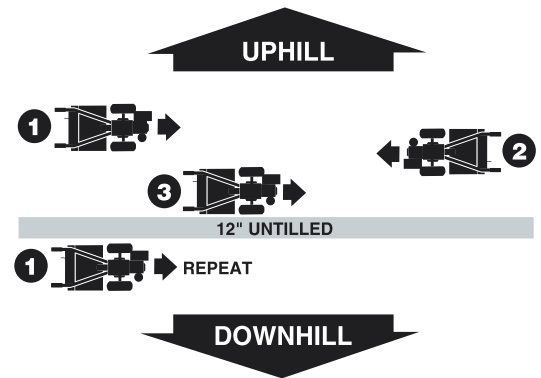


Fig. 4-10

MAINTENANCE SCHEDULE	
PROCEDURE	NOTES
Check motor oil level	2, 3
Clean engine	2, 7
Check drive belt tension	1, 4
Check nuts and bolts	1, 4
Change motor oil	4, 6, 9
Lubricate tiller	4
Service engine air cleaner system	7
Check gear oil level in transmission	1, 5
Check tines for wear	5
Check air pressure in tires (if unit has pneumatic tires)	5
Service spark plug	7

NOTES

- 1 - Check after first 2 hours of break-in operation.
- 2 - Before each use.
- 3 - Every 5 operating hours.
- 4 - Every 10 operating hours.
- 5 - Every 30 operating hours.
- 6 - Change more frequently in dusty conditions.
- 7 - See Engine Owner's Manual for service recommendations.
- 8 - Whichever time interval occurs first.
- 9 - Change after first 2 hours of break-in

TILLER LUBRICATION

After every 10 operating hours, oil or grease the lubrication points shown in Figure 5-1 and described below.

Use clean lubricating oil (#30 weight motor oil is suitable) and clean general purpose grease (grease containing a metal lubricant is preferred, if available).

- Remove the wheels, clean the wheel shaft (A, Fig. 5-1) and apply a thin coating of grease to the wheel shaft.
- Grease the back, front and sides of the depth regulator lever (B, Fig. 5-1).
- Remove the tines and clean the tine shaft (C, Fig. 5-1). Use a file or sandpaper to gently remove any rust, burrs or rough spots (especially around holes in shaft). Apply grease to ends of shaft before installing tines.
- Oil the threads on the handlebar height adjustment screws and the handlebar attaching screws (D, Fig. 5-1).

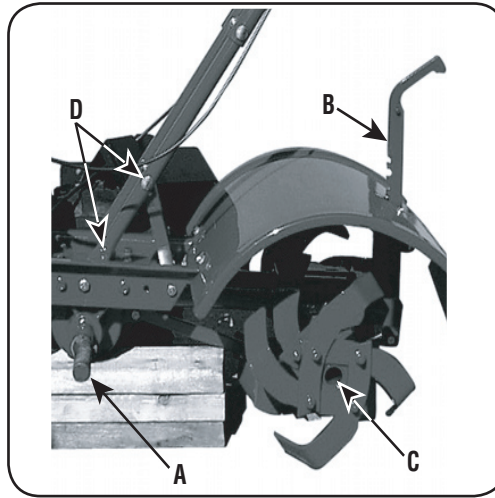


Figure 5-1

CHECK FOR OIL LEAKS

Before each use, check the tiller for signs of an oil leak — usually a dirty, oily accumulation either on the unit or on the floor.

A little seepage around a cover or an oil seal is usually not a cause for alarm. However, if the oil drips overnight, then immediate attention is needed. Ignoring an oil leak can result in severe transmission damage!

If a cover is leaking, check for loose screws. If the screws are tight, a new gasket or oil seal may be required.

If the leak is from around a shaft and oil seal, the oil seal probably needs to be replaced. See your authorized dealer or contact the factory for service or advice.

IMPORTANT: Never operate the tiller if the transmission is low on oil. Check the oil level after every 30 hours of operation and whenever there is any oil leakage.

CHECK HARDWARE

Check for loose or missing hardware after every 10 operating hours and tighten or replace (as needed) before reusing tiller

Be sure to check the screws underneath the tiller hood that secure the transmission cover and the Depth Regulator Lever to the transmission.

CHECK TIRE PRESSURE

(Models with pneumatic tires)

Check the air pressure in both tires. The air pressure should be between 15 PSI and 20 PSI (pounds per square inch).

Keep both tires equally inflated to help prevent machine from pulling to one side.

5

Maintenance



WARNING

Before inspecting, cleaning or servicing the machine, shut off engine, wait for all moving parts to come to a complete stop, disconnect spark plug wire and move wire away from spark plug. Failure to follow these instructions can result in serious personal injury or property damage.



See your engine manual packaged with your unit for detailed instructions pertaining to starting the engine.

5

Maintenance



WARNING

Before clearing the tines by hand, stop the engine, allow all moving parts to stop and disconnect the spark plug wire. Remove the ignition key on electric start models.

Failure to follow this warning could result in personal injury



See your engine manual packaged with your unit for detailed instructions pertaining to starting the engine.

TRANSMISSION GEAR OIL SERVICE

Check the transmission gear oil level after every 30 hours of operation or whenever you notice any oil leak. Operating the tiller when the transmission is low on oil can result in severe damage.

A. To Check the Transmission Gear Oil Level:

1. Check the gear oil level when the transmission is cool. Gear oil will expand in warm operating temperatures and this expansion will provide an incorrect oil level reading.
2. With the tiller on level ground, pull the Depth Regulator Lever all the way up.
3. Remove the oil fill plug (A, Fig. 5-2) from the transmission housing and look inside the oil fill hole to locate the main drive shaft situated below the hole.
4. The gear oil level is correct if the gear oil is approximately halfway up the side of the main drive shaft.
5. If the gear oil level is low, add gear oil as described next. If the gear oil level is okay, securely replace the oil fill plug.

IMPORTANT: Do not operate the tiller if the gear oil level is low. Doing so will result in severe damage to the transmission components.

6. If adding only a few ounces of gear oil, use API rated GL-4 or GL-5 gear oil having a viscosity of SAE 140, SAE 85W-140 or SAE 80W-90. If refilling an empty transmission, use only GL-4 gear oil having a viscosity of SAE 85W-140 or SAE 140.

IMPORTANT: Do not use automatic transmission fluid or motor oil in the transmission.

7. While checking frequently to avoid overfilling, slowly add gear oil into the oil fill hole until it reaches the halfway point on the drive shaft.
8. Securely replace the oil fill plug.

B. To Drain the Transmission Gear Oil:

The transmission gear oil does not need to be changed unless it has been contaminated with dirt, sand or metal particles.



1. Drain gasoline from the fuel tank or run the engine until the fuel tank is empty. See "DANGER" statement below.

WARNING: Gasoline is highly flammable and its vapors are explosive. Follow these safety practices to prevent personal injury or property damage from fire or explosion.

- Allow the engine and muffler to cool for at least two minutes before draining the tiller's gasoline tank.
- Do not allow open flames, sparks, matches or smoking in the area.
- Wipe away spills and push tiller away from spilled fuel.

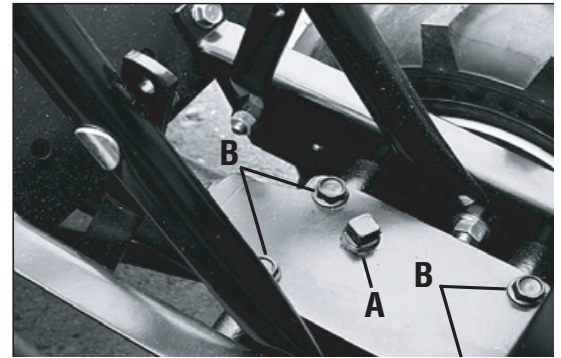


Figure 5-2: Remove oil fill plug (A) to check gear oil level and to add gear oil. Remove four cover screws (B) to drain gear oil.

- Use only an approved fuel container and store it safely out of the reach of children.
- Do not store gasoline in an area where its vapors could reach an open flame or spark, or where ignition sources are present (such as hot water and space heaters, furnaces, clothes dryers, stoves, electric motors, etc.)

2. Drain the oil from the engine.
3. Remove four screws (B, Figure 5-2) and remove transmission cover and gasket.
4. Remove the left-side wheel.
5. Tilt the left-side wheel shaft into a drain pan and allow the gear oil to drain through the top of the transmission.
6. Reinstall the wheel.
7. Install a new gasket (do not reuse old gasket) and reinstall the transmission cover.
8. Refill the transmission using GL-4 gear oil (SAE 85W-140 or SAE 140).
9. Refill the engine with motor oil and replenish the fuel tank with gasoline.

BOLO TINES

The bolo tines will wear with use and should be inspected at the beginning of each tilling season and after every 30 operating hours. The tines can be replaced either individually or as a complete set. See the Parts List pages for tine identification and part numbers.

A. Tine Inspection:

With use, the tines will become shorter, narrower and pointed. Badly worn tines will result in a loss of tilling depth, and reduced effectiveness when chopping up and turning under organic matter.

B. Removing/Installing a Single Tine:

1. With the engine shut off and the spark plug wire disconnected, remove the two screws (A, Figure 5-3) and nuts (B) that attach a single tine to a tine holder. If needed, use penetrating oil on the nuts.

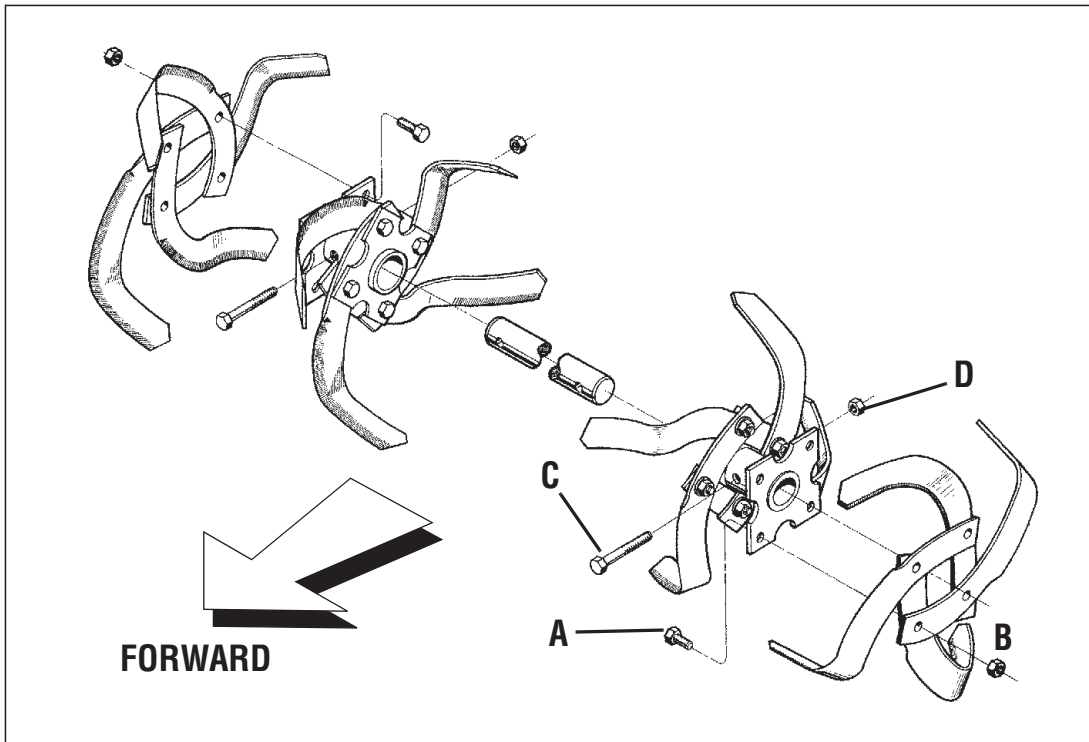


Figure 5-3: Install tines so that cutting edge of tines enter soil first when tiller moves forward.

- When installing a single tine, be sure to position it so that its cutting edge (sharp) will enter the soil first as the tiller moves forward.

C. Removing/Installing a Tine Assembly:

- A tine assembly consists of eight tines mounted on a tine holder.
- If removing both tine assemblies, mark them "left" and "right" before removal. Remove the screw (C, Figure 5-3) and locknut (D) that secure the tine assembly to the tine shaft. If necessary, use a rubber mallet to tap the tine assembly outward off the shaft.
- Before reinstalling the tine assembly, inspect the tine shaft for rust, rough spots or burrs. Lightly file or sand, as needed. Apply a thin coat of grease to the shaft.
- Install each tine assembly so that the cutting (sharp) edge of the tines will enter the soil first when the tiller moves forward. Secure the tine assembly to the tine shaft using the screw and locknut

CHECKING AND ADJUSTING FORWARD DRIVE BELT TENSION

It is important to maintain correct tension on the forward drive belt. A loose belt will cause the tines and wheels to slow down — or stop completely — even though the engine is running at full speed. A too tight belt can result in unintentional tine movement when the clutch bail is in the Neutral (released) position.

- Check belt tension after the first two hours of break-in operation and after every 10 operating hours.

- At the end of each tilling season, check the belt for cracks, cuts or frayed edges and replace it as soon as possible.

To Check Forward Belt Tension:

- Stop engine, wait for all parts to stop moving and disconnect spark plug wire.
- With the Forward Clutch Bail in an open (released) position, measure and note the overall length of the cable spring (A, Figure 5-4) by measuring from the outermost coil to the outermost coil.
- Squeeze the Forward Clutch Bail against the handlebar (see Figure 5-4) and re-measure the length of the coils. The belt tension is correct if this second measurement is between 1/6" -to- 3/16" longer than the first measurement.
- If the spring is too short (less than 1/16"), the tension is too loose. If the spring is too long (more than 3/16"), the tension is too tight.
- To adjust the length of the spring:
 - Release the Forward Clutch Bail.
 - Unthread the hex nut (C, Figure 5-4) halfway up the adjustment screw (D).
 - Unhook the top of the spring from the Forward Clutch Bail.
 - Use pliers to prevent the adjuster (B) from turning and turn the slotted screw located inside the spring clockwise (viewed from operator's position) to increase tension on the spring. Turn the screw counterclockwise to decrease tension. Once adjusted, reattach the spring to the Forward Clutch Bail.

5

Maintenance



WARNING

Do not operate tiller on a slope too steep for safe operation. Till slowly and be sure you have good footing. Never permit tiller to freewheel down slopes. Failure to follow this warning could result in personal injury.

Before clearing the tines by hand, stop the engine, allow all moving parts to stop and disconnect the spark plug wire. Remove the ignition key on electric start models.

Failure to follow this warning could result in personal injury.

5

Maintenance



WARNING

Before inspecting, cleaning or servicing the machine, shut off engine, wait for all moving parts to come to a complete stop, disconnect spark plug wire and move wire away from spark plug. Failure to follow these instructions can result in serious personal injury or property damage.

Loading and unloading the tiller into a vehicle is potentially hazardous and we don't recommend doing so unless absolutely necessary, as this could result in personal injury or property damage. However, if you must load or unload the tiller, follow the guidelines given next.

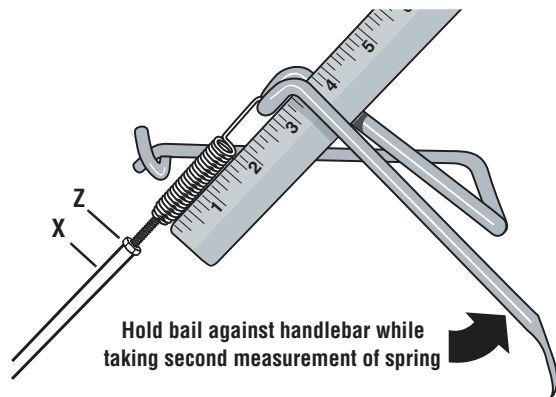


Figure 5-4: To check forward belt tension, take two measurements of the overall length of the coils in the spring — first with the clutch bail open, then with the clutch bail closed against the handlebar.

- e. Repeat Steps 2 and 3 to re-measure the length of the spring. When the second measurement is between 1/16" -to- 3/16" longer than the first measurement, retighten the hex nut (C) against the top of the adjuster (B).

Replacement Belt Information

If the drive belt needs to be replaced, see your local authorized dealer or refer to the Parts List for ordering information. Use only a factory-authorized belt as an "over-the-counter" belt may not perform satisfactorily. The procedure requires average mechanical ability and commonly available tools.

FORWARD CLUTCH BAIL ADJUSTMENT

If the Forward Clutch Bail does not function properly, first check that the forward drive belt is adjusted properly (see Checking and Adjusting Forward Drive Belt Tension). If this fails to correct the problem, contact your authorized dealer for service advice.

CHECKING AND ADJUSTING REVERSE DRIVE BELT TENSION (Models 643B & 645A only)

It is important to maintain correct tension on the reverse drive belt. A loose belt will cause the tines and wheels to slow down – or stop completely – even though the engine is running at full speed.

When checking belt tension, also check the belt for cracks, cuts or frayed edges and replace it as soon as possible.

- Check belt tension after the first two hours of break-in operation and after every 10 operating hours.

To Check Reverse Belt Tension:

1. Stop engine, wait for all parts to stop moving and disconnect spark plug wire.
2. Remove screw in plastic belt cover and slide belt cover (which is attached to forward clutch cable) out of the way.

3. Have an assistant pull the Reverse Clutch Control knob all the way out and hold it in that position. Measure the length of the cable wire between the end of the threaded cable adjuster (A, Figure 5-5) and the end of the Z-fitting (B) to which the cable wire is attached.
4. The belt tension is ideal if the cable wire length measures between 1/8" to 1/4". If it is less than 1/8" (and if there is no reverse action when the tiller is running), then make the following adjustments

NOTE: If the length is more than 1/4", no adjustment is needed—as long as the reverse action functions properly.

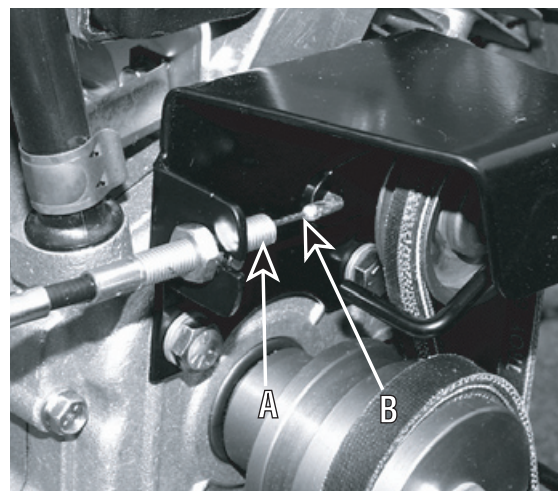


Figure 5-5: Measure cable wire length to check for correct reverse belt tension..

5. Release the Reverse Clutch Control knob and then unthread the inner jam nut (C, Figure 5-6) one to two turns. Pull the threaded cable adjuster (A, Figure 5-6) to the left until the inner jam nut (C) touches the bracket.
6. Prevent the inner jam nut (C) from turning and tighten the outer jam nut (D) against the bracket. Prevent the outer jam nut (D) from turning and tighten the inner jam nut (C) against the bracket.
7. Measure the gap by repeating Step 3. Readjust as needed by repeating Steps 5 and 6.
8. Reinstall the belt cover.

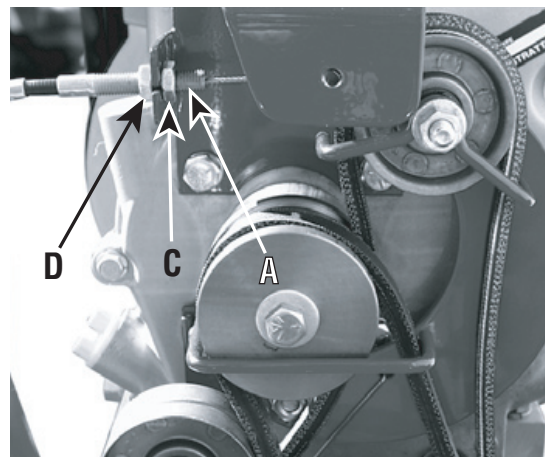


Figure 5-6: Move threaded adjuster (A) to left to increase belt tension..

Replacement Belt Information

If the drive belt needs to be replaced, see your local authorized dealer or refer to the Parts List for ordering information. Use only a factory-authorized belt as an "over-the-counter" belt may not perform satisfactorily. The procedure requires average mechanical ability and commonly available tools.

ENGINE CLEANING

Keeping the engine clean will help to ensure smooth operation and prevent damage from overheating. Refer to the Engine Owner's Manual for engine cleaning service intervals and instructions. Be sure that the muffler is cool before servicing the engine.

AIR CLEANER SERVICE

The air cleaner filters dirt and dust out of the air before it enters the carburetor. Operating the engine with a dirty, clogged air filter can cause poor performance and damage to the engine. Never operate the engine without the air cleaner installed. Inspect and service the air cleaner more often if operating in very dusty or dirty conditions. Refer to the engine Owner's Manual for air cleaner service intervals and instructions.

ENGINE OIL SERVICE

Check the engine oil level before each use and after every five hours of continuous operation. Running the engine when it is low on oil will quickly ruin the engine.

It is recommended that you change the motor oil after every 10 hours of operation and even sooner when operating in extremely dirty or dusty conditions. Refer to the Engine Owner's Manual for detailed service instructions.

A. To Check the Engine Oil Level:

1. Park the tiller on a level area and shut off the engine.
2. Level the engine (use the Depth Regulator Lever to adjust the engine angle).
3. Clean around the oil dipstick or oil fill tube (which-ever applies) to prevent dirt from falling into the crankcase.
4. On engines with an oil fill tube, remove the fill cap and add oil (if required) until it reaches the top of the fill tube. Reinstall the fill cap.
5. On engines with a dipstick, remove it and wipe it clean. Reinsert the dipstick, tighten it securely, and remove it. Add oil as needed to bring the level up to the FULL mark. Wipe dipstick clean each time oil level is checked. Do not overfill. Tighten dipstick securely.

B. To Change the Engine Oil:

Change the engine oil as instructed in the Engine Owner's Manual.

SPARK PLUG SERVICE

Inspect and clean or replace the spark plug after every 100 operating hours or annually. Refer to the Engine Owner's Manual for spark plug service instructions.

In some areas, local law requires using resistor spark plugs to suppress ignition signals. If the engine was originally equipped with a resistor spark plug, use the same type for replacement.

SPARK ARRESTER SCREEN SERVICE

If the engine muffler is equipped with a spark arrester screen, remove and clean it according to the service intervals and instructions in the Engine Owner's Manual.

THROTTLE LEVER ADJUSTMENT

If the engine does not respond to various throttle lever settings, refer to the Engine Owner's Manual for service information or contact your local authorized engine dealer.

CARBURETOR/GOVERNOR CONTROL ADJUSTMENTS

The carburetor was adjusted at the factory for best operating speed. Refer to the Engine Owner's Manual for any adjustment information or see your authorized engine dealer.

The governor controls the maximum safe operating speed and protects the engine and all moving parts from damage caused by overspeeding. Do not tamper with the engine governor settings.

OFF-SEASON STORAGE

When the tiller won't be used for an extended period, prepare it for storage as follows:

1. Clean the tiller and engine.
2. Do routine tiller lubrication and check for loose parts and hardware.
3. Protect the engine and perform recommended engine maintenance by following the storage instructions found in the Engine Owner's Manual. Be sure to protect the fuel lines, carburetor and fuel tank from gum deposits by removing fuel or by treating fuel with a fuel stabilizer (follow engine manufacturer's recommendations).
4. Store unit in a clean, dry area.
5. Never store the tiller with fuel in the fuel tank in an enclosed area where gas fumes could reach an open flame or spark, or where ignition sources are present (space heaters, hot water heaters, furnaces, etc.).

5

Maintenance



WARNING

Loading and unloading the tiller into a vehicle is potentially hazardous and we don't recommend doing so unless absolutely necessary, as this could result in personal injury or property damage. However, if you must load or unload the tiller, follow the guidelines given next.

Operators shall not tamper with the engine governor settings on the machine; the governor controls the maximum safe operating speed to protect the engine and all moving parts from damage caused by overspeed. Authorized service shall be sought if a problem exists.

6

Trouble Shooting



For repairs beyond the minor adjustments listed here, contact an authorized service dealer.

Problem	Cause	Remedy
Engine fails to start	<ol style="list-style-type: none"> 1. Spark plug wire disconnected. 2. Fuel tank empty or stale fuel. 3. Throttle control lever not in correct starting position (if equipped) 4. Choke not in ON position. 5. Blocked fuel line. 6. Faulty spark plug. 7. Engine flooding. 	<ol style="list-style-type: none"> 1. Connect wire to spark plug. 2. Fill tank with clean, fresh gasoline. 3. Move throttle lever to start position. 4. Move lever to ON position. 5. Clean fuel line. 6. Clean, adjust gap, or replace. 7. Refer to the engine manual packed with your unit.
Engine runs erratic	<ol style="list-style-type: none"> 1. Spark plug wire loose. 2. Unit running on CHOKE. 3. Blocked fuel line or stale fuel. 4. Gas cap vent plugged. 5. Water or dirt in fuel system. 6. Dirty air cleaner. 7. Carburetor out of adjustment. 	<ol style="list-style-type: none"> 1. Connect and tighten spark plug wire. 2. Move choke lever to OFF. 3. Clean fuel line; fill tank with clean, fresh gasoline. 4. Clear vent. 5. Drain fuel tank and carburetor. Refill with fresh fuel. 6. Refer to the engine manual packed with your unit. 7. Refer to the engine manual packed with your unit.
Engine overheats	<ol style="list-style-type: none"> 1. Engine oil level low. 2. Dirty air filter. 3. Air flow restricted. 4. Carburetor not adjusted properly. 	<ol style="list-style-type: none"> 1. Fill crankcase with proper oil. 2. Refer to the engine manual packed with your unit. 3. Remove blower housing and clean. 4. Refer to the engine manual packed with your unit.
Tines do no engage	<ol style="list-style-type: none"> 1. Foreign object lodged in tines. 2. Tine clevis pin(s) missing. 3. Belt worn and/or stretched. 4. Pulley and idler not in correct adjustment. 	<ol style="list-style-type: none"> 1. Stop tiller completely, check and discard foreign object. 2. Replace tine clevis pin(s). 3. Replace belt. 4. Take unit to authorized service

TROY-BILT TILLER LIFETIME LIMITED WARRANTY

WHAT PRODUCT IS COVERED	All Troy-Bilt branded rear tine walk-behind tillers with gear drive transmissions. This warranty begins on the date of purchase and is warranted by Troy-Bilt LLC for the life of the tiller, to the original purchaser only.
WHAT IS COVERED BY THIS WARRANTY	Troy-Bilt LLC will, at its option, repair or replace any part found to be defective in material or workmanship without charge for parts and labor. This limited lifetime warranty also applies to non-powered attachments and accessories. Powered attachments and accessories are warranted separately by their manufacturers. Refer to the applicable manufacturer's warranty on these items for terms and conditions.
WHAT IS NOT COVERED BY THIS WARRANTY	This warranty does not apply to parts that have been damaged by accident, alteration, misuse, abuse, neglect, improper maintenance, vandalism, theft, fire, water, or damage because of peril or other natural disaster. The following items are not covered after the first year of this residential use limited warranty: belts, batteries, bushings, seals, tines, tires, wheels, paint, appearance items, and similar items that are normally replaced through periodic maintenance. Charges for pick-up, delivery, and service calls are not covered by this warranty. Service completed by someone other than an authorized service dealer is not covered by this warranty. Parts that are not genuine Troy-Bilt LLC service parts are not covered by this warranty. The engine is warranted separately by the engine manufacturer. Refer to the engine manufacturer's warranty for terms and conditions.
LIMITED COMMERCIAL USE WARRANTY	If used for commercial, institutional, industrial, rental, or demonstrator purposes, the warranty on the tiller is limited in duration to 90 days from the date of purchase. This warranty does not apply to parts that have been damaged by accident, alteration, misuse, abuse, neglect, improper maintenance, vandalism, theft, fire, water, or damage because of peril or other natural disaster.
HOW TO OBTAIN SERVICE	Warranty service is available, with proof of purchase, through your local authorized service dealer. To locate a dealer in your area, consult 1-800-668-1238 or log onto our website at www.troybilt.ca

The provisions set forth in this warranty provide the sole and exclusive remedy arising from the sale. Troy-Bilt LLC shall not be liable for any incidental or consequential damage or expense of any kind, including but not limited to cost of equipment rental, loss of profits, or costs of hiring services to perform tasks normally performed by the equipment.

Any implied warranties, including any implied warranty of merchantability or fitness for a particular purpose, shall be limited in duration to the period of ownership by the original purchaser (and a maximum of 90 days from the date of sale if the tiller is purchased for commercial or other non-residential use).

Some states do not allow the exclusion or limitation of incidental or consequential damages, or limitations on how long an implied warranty lasts, so the above exclusions or limitations may not apply to you.

This limited warranty gives you specific legal rights, and you may also have other rights which vary from state to state.

For customer assistance, contact your nearest authorized dealer, or contact us at:

P. O. Box 1386, 97 Kent Avenue, Kitchener, Ontario Canada N2G 4J1

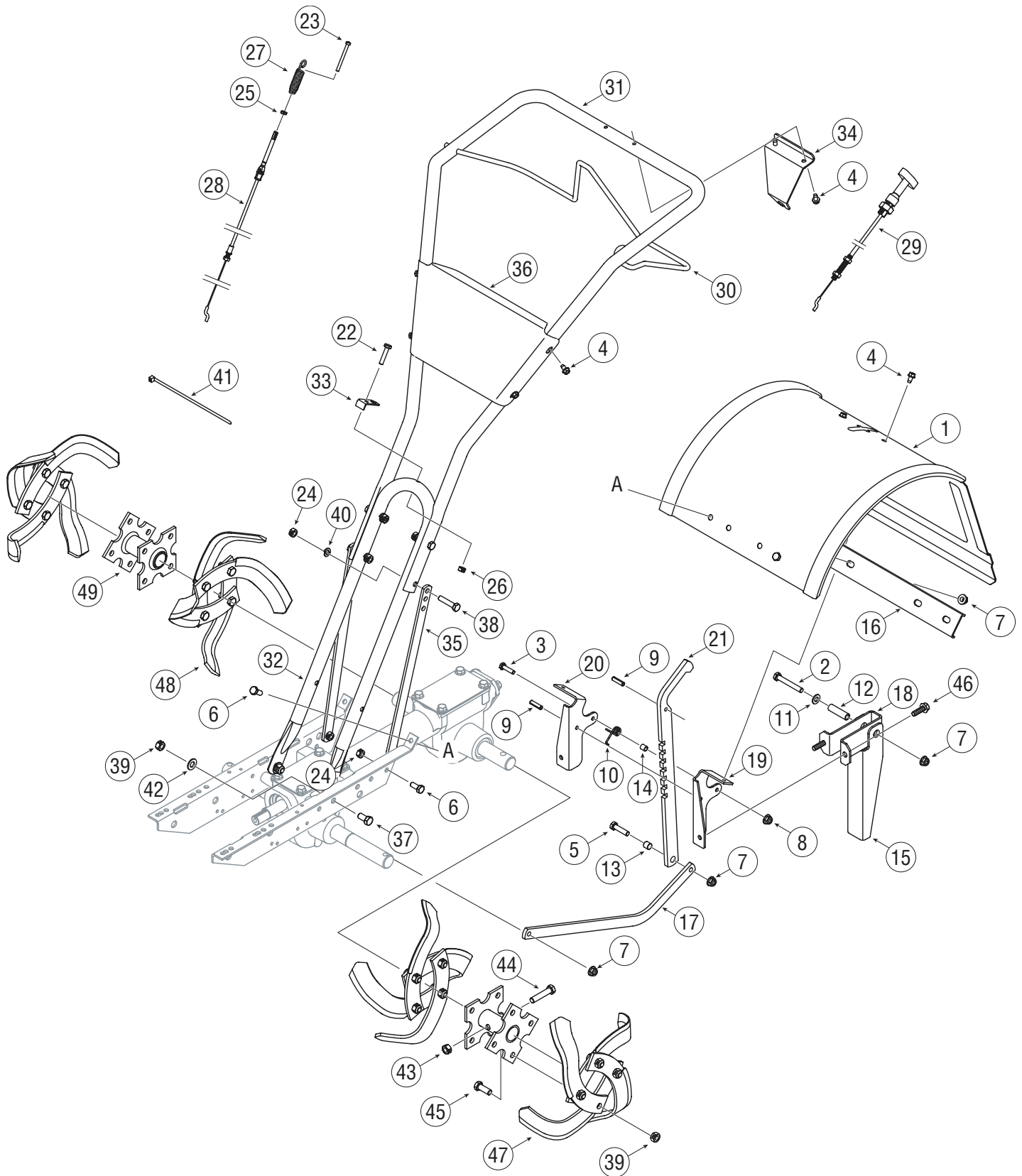
7

Warranty



Failure to comply with suggested maintenance and lubrication specifications will void warranty.

Models/Modèles 643C, 643B & 645A



8

Parts List Pièces détachées

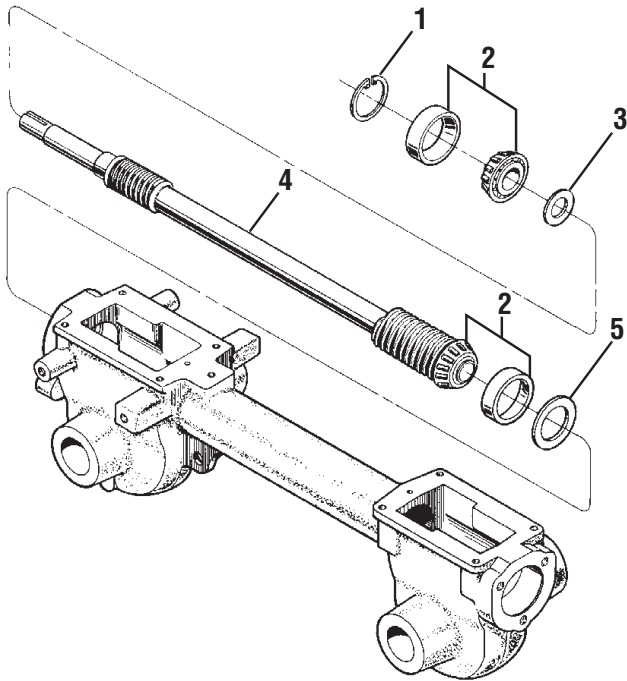


For parts and/or accessories refer to customer support on page 2.
Adressez-vous au «Service après-vente» à la page 2 pour ce qui concerne les pièces et/ou accessoires.

REF NO. N° DE RÉF	PART NO. N° DE PIÈCE	DESCRIPTION	DESCRIPTION
1	686-04043 686-04041	Tine Hood Assembly Tine Hood Assembly	Capot Capot
2	710-0395	Hex Screw 5/16-18 x 2.25	Vis à tête hex. 5/16-18 x 2,25
3	710-0597	Hex Screw 1/4-20 x 1.00	Vis à tête hexagonale 1/4-20 x 1,00
4	710-0599	Hex Wash S-Tapp Scr 1/4-20 x .50	Vis autotaraudeuse à rondelle hex. de 1/4-20 x 0,5
5	710-0874	Hex Screw 5/16-18 x 1.25 Gr. 5	Vis à tête hexagonale 5/16-18 x 1,25
6	710-3008	Hex Bolt 5/16-18 x .75" Lg. Gr. 5	Boulon hex. 5/16-18 x 0,75 po de lg. Qual. 5
7	712-04063	Flg L-Nut 5/16-18 Gr. F Nylon	Contre-écrou à embase 5/16-18 Qual. F nylon
8	712-04064	Flg L-Nut 1/4-20 Gr. F Nylon	Contre-écrou à embase 1/4-20 Qual. F nylon
9	715-0108	Spring Pin Spiral 1/4" Dia. x 1.00 Lg.	Goupille ressort dia. 1/4 x 1,00 po lg
10	732-04320	Depth Regulator Spring	Ressort
11	736-0275	Flat Washer .34 ID x .688 OD x .065	Rondelle plate 0,34 DI x 0,688 DE x 0,065
12	750-04149	Spacer .462 x .328 x 1.63	Entretoise 0,462 x 0,328 x 1,63
13	750-04160	Bushing	Coussinet
14	750-04556	Spacer	Entretoise
15	786-04092	Reverse Stop Arm	Bras arrière arrêt
16	786-04098	Channel Support Bracket	Support de la glissière
17	786-04104	Drag Bar	Barre d'attelage
18	786-04191	Flap Stop Bracket	Support
19	786-04290	Hood Bracket LH	Support de capot CG
20	786-04291	Hood Bracket RH	Support de capot CD
21	786-04292	Adjustable Depth Bar	Barre de profondeur d'reglabe
22	710-0106	Hex Screw 1/4-20 x 1.25	Vis à tête hexagonale 1/4-20 x 1,25
23	710-04163	Screw, No. 10-24 x 2	Vis no. 10-24 x 2
24	712-3009	Hex L-Nut 5/16-18	Écrou de blocage 5/16-18
25	712-0121	Hex Nut 10-24	Écrou hexagonal 10-24
26	712-0291	Hex Cent-L Nut 1/4-20	Contre-écrou de blocage 1/4-20
27	732-04185	Forward Clutch Spring	Ressort d'embrayage avant
28	746-04208	Forward Clutch Cable Assembly	Cable - Embrayage d'avant
29	746-04058	Reverse Clutch Cable Assembly	Cable - Embrayage d'arrière
30	747-04210	Forward Clutch Bail	Etrier d'embrayage avant
31	749-04084	Upper Handlebar	Guidon superieur
32	749-04208	Lower Handlebar	Guidon inferieur
33	749-04106	Upper Handle-Gull Wing	Guidon superieur
34	732-04040	Reverse Clutch Cable Bracket	Support de cable
35	786-04188	Handlebar Support	Support du guidon
36	786-04200	Panel	Panneau
37	710-0216	Hex Cap Screw 3/8-16 x .75	Vis à chapeau à six pans de 3/8-16 x 0,75
38	710-0805	Hex Bolt 5/16-18 x 1.50" Lg. Gr. 5	Boulon hex. 5/16-18 x 1,50 po de lg Qual. 5
39	712-3000	Hex Cent L-Nut 3/8-16	Contre-écrou de blocage 3/8-16
40	736-0119	L-Wash 5/16 ID	Rondelle frein 5/16 DI
41	725-0157	Cable Tie	Attache-câble
42	736-3050	Flat Washer .406 ID x .81"	Rondelle plate 0,406 DI x 0,81
43	712-04065	Flange Lock-Nut 3/8-16 Gr. F Nylon	Contre-écrou à embase 3/8-16 Qual. F nylon
44	710-0347	Hex Screw 3/8-16 x 1.75	Vis à tête hex 3/8-16 x 1,75
45	710-0514	Hex Screw 3/16 x 1.00	Vis à tête hexagonale 3/8-16 x 1,00
46	710-04048	Flange Screw .312-18 x 1.0	Vis 0,312-18 x 1,0
47	742-04117	Single Bolo Tine - LH	Dent - Bolo CG
48	742-04116	Single Bolo Tine - RH	Dent - Bolo CD
49	686-04066	Tine Holder (A)	Dent sur le support de montage (A)
	686-04065	Tine Holder (B)(C)	Dent sur le support de montage (B)(C)
	GW-1901	Bolo Tine Replacement Set) (incl eight right-hand tines, eight left-hand tines and required hardware	Ensemble de rechange de dent Bolo (inclut huit dents côté droite, huit dents côté gauche et boulonnerie requis)

21A-6431
03.10.06

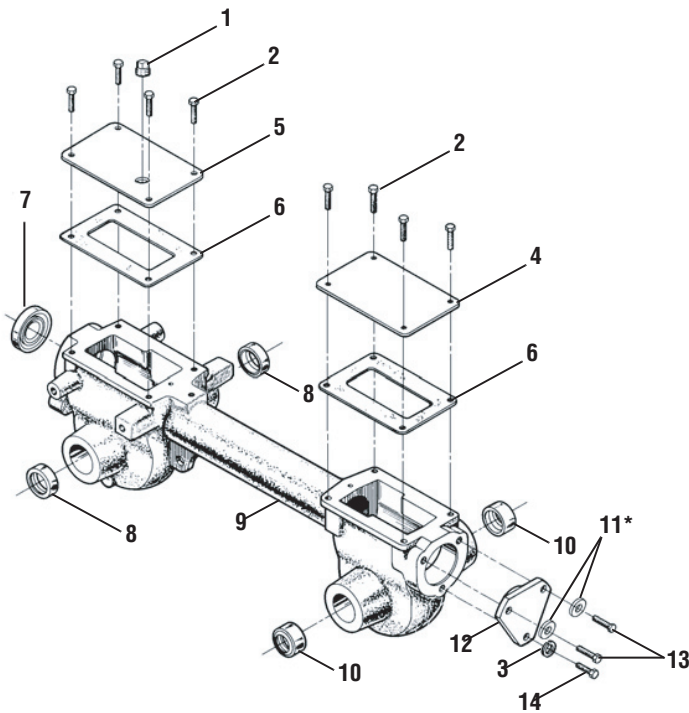
(A) For Model 643C/Pour modèle 643C
(B) For Model 643B/Pour modèle 643B
(C) For Model 645A/Pour modèle 645A



REF NO. N° DE RÉF	PART NO. N° DE PIÈCE	DESCRIPTION
1	GW-9517	Snap Ring Jonc d'arrêt
2	GW-1714	Bearing Roulement
3	GW-50043	Washer Rondelle
4	711-04110	Drive Shaft Arbre d'entraînement
5	GW-1224-1*	Shim .010 Thick Cale 0,010
	GW-1224-2*	Shim .030 Thick Cale 0,030
	GW-1224-3*	Shim .005 Thick Cale 0,005
	GW-1224-4*	Shim .062 Thick Cale 0,062
	GW-1325C	Shim Set Cale fixe 1224-1 (2) 1224-2 (2) 1224-4 (1)

21A-6431
03.09.06

* Use as required to obtain between .005" and .015 allowable end-play.



REF NO. N° DE RÉF	PART NO. N° DE PIÈCE	DESCRIPTION
1	GW-9727	Plug, Transmisison Oil Fill Bouchon
2	710-04049	Hex. Hd. Flg. Scr. 5/16-18 x 5/8, Gr. 5 Vis à tête hex. 5/16-18 x 5/8, Qual. 5
3	736-0119	Lockwasher 5/16" Rondelle frein 5/16
4	1918377	Rear Cover, Transmission Couvercle
5	1916641	Front Cover, Transmisison Couvercle
6	GW-50032	Gasket, Housing Cover Joint
7	721-04030	Oil Seal, Drive Shaft Joint d'étanchéité d'huile
8	721-04031	Oil Seal, Wheel Shaft Joint d'étanchéité d'huile
9	619-04013	Transmission Hsg. Ass'y Carter de la transmission
10	721-04036	Oil Seal, Tine Shaft Joint d'étanchéité d'huile
11	736-3008	Flat Washer .344 x .750 x .120 Rondelle plate 0,344 x 0,750 x 0,120
12	718-04008	Rear Bearing Cup Bague de roulement
13	710-04048	Hex. Hd. Flg. Scr. 5/16-18 x 1 Vis hex. à embase 5/16-18 x 1,0
14	710-3008	Hex. Hd. Flg. Scr. 5/16-18 x .75 Vis hex. à embase 5/16-18 x 0,75

* Included with transmission when purchase as an assembly only./
Remove and discard when installing the transmission on tiller

21A-6433
03.09.06

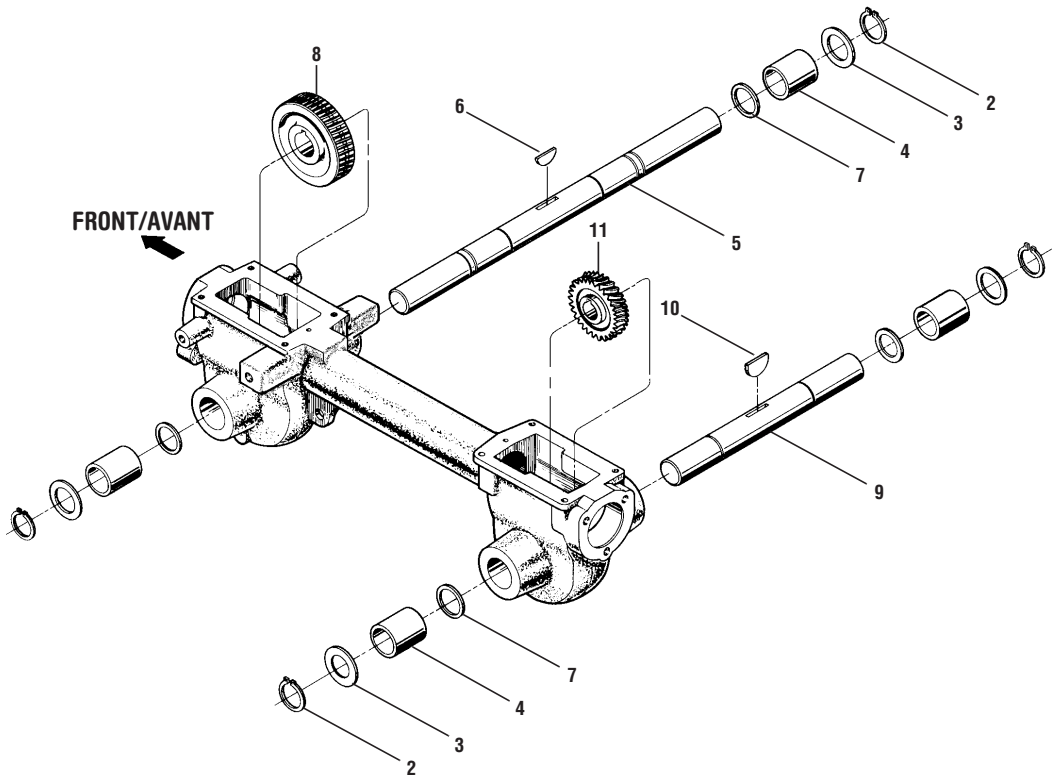
MODELS/MODÈLES 643C, 643B & 645A

8

Parts List Pièces détachées



For parts and/or accessories refer to customer support on page 2.
Adressez-vous au «Service après-vente» à la page 2 pour ce qui concerne les pièces et/ou accessoires.



REF NO. N° DE RÉF	PART NO. N° DE PIÈCE	DESCRIPTION	
2	1909950	Snap Ring	Jonc d'arrêt
3	GW-1166-1*	Shim .062 Thick	Cale 0,062
	GW-1166-2*	Shim .030 Thick	Cale 0,030
	GW-1166-3*	Shim .015 Thick	Cale 0,015
	GW-1166-4*	Shim .010 Thick	Cale 0,010
	GW-1166-5*	Shim .005 Thick	Cale 0,005
4	GW-1086	Bushing	Coussinet
5	711-04512	Wheel Shaft (A)	Arbre de roue (A)
	711-04486	Wheel Shaft (B) (C)	Arbre de roue (B) (C)
6	GW-9305	Hi-Pro Key 1/4 x 1	Clé 1/4 x 1,0
7	GW-1132-2	Spacer	Entretoise
8	1904278	Worm Gear, Wheel Shaft	Engrenage, arbre de roue
9	711-04078	Tiller Shaft	Arbre
10	GW-1104	Woodruff Key	Clé
11	1916542	Worm Gear, Tiller Shaft	Engrenage, arbre

21A-6434
03.09.06

* Use as required to obtain between .005" and .030 allowable end-play.

(A) For Model 643C/Pour modèle 643C
(B) For Model 643B/Pour modèle 643B
(C) For Model 645A/Pour modèle 645A

REF NO. N° DE RÉF	PART NO. N° DE PIÈCE	DESCRIPTION	DESCRIPTION
1	736-0159	Flat Washer .349 ID x .879 OD x .063	Rondelle plate 0,349 DI x 0,879 DE x 0,063
2	756-04198	Engine Drive Pulley	Poulie
3	656-04023	Transmission Pulley (A)	Poulie transmission (A)
3	656-04005	Transmission Pulley (B)(C)	Poulie transmission (B)(C)
4	756-04169	Pulley, Reverse Idler (B)(C)	Poulie (B)(C)
5	786-04095	Guard, Belts/Pulleys	Protecteur, courroie/poulie
6	754-04090	Forward Drive Belt	Courroie d'entraînement avant
7	754-04091	Reverse Drive Belt (B)(C)	Courroie d'entraînement arrière (B)(C)
8	731-05268	Belt Cover	Courroie
9	732-04289	Reverse Return Spring (B)(C)	Ressort (B)(C)
10	732-04081	Belt Guide (B)(C)	Protecteur de la courroie (B)(C)
11	732-04079	Belt Guide	Protecteur de la courroie
12	786-04068	Engine Bracket LH	Support du moteur CG
13	786-04069	Engine Bracket RH	Support du moteur CD
14	786-04070	Belt Cover Bracket	Support de couvercle de la courroie
15	748-04087	Shoulder Washer	Rondelle
16	786-04276	Reverse Idler Arm	Bras de tendeur arrière
17	786-04275	Forward Idler Lever	Levier de tendeur avant
18	710-0672	Hex HD. Cap Scr. 5/16-24 x 1.25 Lg. (A)	Vis à tête hex. 5/16-24 x 1,25 po de lg (A)
	710-0117	Hex Scr 5/16-24 x 1.00 (B)(C)	Vis à tête hex. 5/16-24 x 1,00 (B)(C)
19	710-0237	Hex Screw 5/16-24 x .62	Vis à tête hex. 5/16-24 x 0,62
20	710-0376	Hex Scr 5/16 x 1.00 Gr. 5	Vis à tête hex. 5/16 x 1,00 Qual. 5
21	710-04049	Hex. Hd. Screw 5/16-18 x 5/8	Vis à tête hex. 5/16-18 x 5/8
22	710-0347	Hex Screw 3/8-16 x 1.75 (A)	Vis à tête hex 3/8-16 x 1,75 (A)
	710-0520	Hex Screw 3/8-16 x 1.50 (B)(C)	Vis à tête hex. 3/8-16 x 1,50 (B)(C)
23	710-0599	Hex Wash S-Tapp Scr 1/4-20 x .50	Vis autotaraudeuse a rondelle hex. de 1/4-20 x 0,5
24	710-3103	Hex Hd Cap Scr. 5/16-18 x 2.0 Gr. 5 (B)(C)	Vis à tête hex. 5/16-18 x 2,0 Qual. 5 (B)(C)
25	712-3000	Hex Cent L-Nut 3/8-16	Contre-écrou de blocage 3/8-16
26	712-3009	Hex L-Nut 5/16-18 (B)(C)	Écrou de blocage 5/16-18 (B)(C)
27	736-0119	L-Wash 5/16 ID (A)	Rondelle frein 5/16 DI (A)
28	750-0535	Spacer .380 ID x .625 OD x .227 (A)	Entretoise 0,380 DI x 0,625 DE x 0,227 (A)
	736-3050	Flat Washer .406 ID x .81" (B)(C)	Rondelle plate 0,406 DI x 0,81 (B)(C)
29	736-3090	Flat Washer .260 x .687 x .062	Rondelle plate 0,260 x 0,687 x 0,062
30	736-0452	Cupped Washer	Rondelle creuse
31	710-0459A	Hex Scr 3/8-24 x 1.50	Vis à tête hex. 3/8-24 x 1,50
32	736-04181	Support Washer	Rondelle
33	732-04085	Forward Return Spring	Ressort de retour
34	786-04107	Support Mounting Bracket	Support
35	756-04170	Forward Idler Pulley	Poulie tendeur avant
36	714-0105	Square Key 3/16 x 1.00" Lg.	Clavette carrée 3/16 x 1,00 po de lg
37	736-3078	Flat Washer .344 ID x 1.0	Rondelle plate 0,344 DI x 1,0
38	736-04193	Cupped Washer	Rondelle creuse
39	710-0805	Hex Bolt 5/16-18 x 1.50" Lg. Gr. 5	Boulon hex. 5/16-18 x 1,50 po de lg Qual. 5
	710-0395	Hex Bolt 5/16-18 x 2.25 (A)(B)	Vis à tête hex. 5/16-18 x 2,25 (A)(B)
40	712-04063	Flange Locknut 5/16-18 Gr. F Nylon	Contre-écrou à embase 5/16-18 Qual. F nylon
41	750-0258	Spacer .315" ID x .375" Lg. (A)	Entretoise 0,315 DI x 0,375 po de lg. (A)
42	736-0315	Flat Washer .76 ID x 1.5 OD x .12 (A)	Rondelle plate 0,76 DI x 1,5 DE x 0,12 (A)
42	736-04192	Flat Washer .786 x 1.0 x .031 (B)(C)	Rondelle plate 0,786 x 1,0 x 0,031 (B)(C)
43	736-0242	Cupped Washer .345 ID x .88 OD x .060	Rondelle creuse 0,345 DI x 0,88 DE x 0,060
44	749-04193	Bumper	Butoir
45	726-0201	Push Speed Nut	Écrou rapide d'enfoncer
46	714-0143	Klik Pin 1/4 Dia x 1.75	Goupille à déclique dia 1/4 x 1,75
47	734-04188	Complete Wheel Ass'y 10 x 2.75 (A)	Ensemble de roue comp. 10 x 2,75 (A)
48	634-04232	Complete Wheel Ass'y 13 x 5 x 6 (B)(C)	Ensemble de roue comp. 13 x 5 x 6 (B)(C)
	634-04218	Rim Assembly (B)(C)	Jante (B)(C)
	734-04163	Tire (B)(C)	Pneu (B)(C)
	734-0255	Air Valve	Soupape à air

(A) For Model 643C/Pour modèle 643C

(B) For Model 643B/Pour modèle 643B

(C) For Model 645A/Pour modèle 645A

21A-6435
03.10.06

8

Parts List Pièces détachées



For parts and/or accessories refer to customer support on page 2.

Adressez-vous au «Service après-vente» à la page 2 pour ce qui concerne les pièces et/ou accessoires.

NOTES:



For parts and/or accessories refer to customer support on page 2.

Adressez-vous au «Service après-vente» à la page 2 pour ce qui concerne les pièces et/ou accessoires.

NOTES:



For parts and/or accessories refer to customer support on page 2.
Adresssez-vous au «Service après-vente» à la page 2 pour ce qui concerne les pièces et/ou accessoires.

P. O. Box 1386, 97 Kent Avenue, Kitchener, Ontario Canada N2G 4J1

Pour un service après-vente, adressez-vous à la station technique agréée la plus proche ou à :

selon les juridictions.

Cette garantie limitée vous accorde des droits juridiques spécifiques et vous pouvez bénéficier d'autres droits qui varient

selon votre situation.

à la durée de la garantie tacite. Par conséquent, les exclusions ou restrictions ci-dessus peuvent ne pas s'appliquer dans certaines juridictions ne permettant pas l'exclusion ou la restriction des dommages accessoires ou immatériels ou une limite

90 jours à compter de la date de l'achat en cas d'utilisation à des fins commerciales ou non résidentielles.)

Toute garantie tacite, y compris toute garantie tacite de qualité marchande ou d'adaptabilité dans un but particulier, se limite à la période pendant laquelle l'acheteur initial demeure le propriétaire du motoculteur (et pendant une période maximale de

l'article sous garantie.

Les stipulations énoncées dans cette garantie offrent le seul recours à la suite de la vente. Troy-Bilt LLC ne peut être tenue responsable pour toute perte ou tout dommage accessoire ou immatériel comprenant, sans s'y limiter, les frais de remplacement ou de substitution des services d'entretien des pelouses ou les frais de location pour remplacer temporairement un

<p>POUR BÉNÉFICIER DU SERVICE SOUS GARANTIE</p> <p>Pour faire honorer la garantie, présentez une preuve d'achat à la station technique agréée la plus proche. Pour localiser une station technique agréée dans votre région, appelez le 1-800-668-1238 ou visitez le site web www.troybilt.ca.</p>	<p>GARANTIE LIMITÉE POUR UTILISATION COMMERCIALE</p> <p>La durée de la garantie du motoculteur est limitée à 90 jours à compter de la date d'achat si le motoculteur est utilisé à des fins commerciales, institutionnelles, locatives ou de démonstration.</p> <p>Cette garantie ne s'applique pas aux pièces qui ont été endommagées par un accident, incorrect, un acte de vandalisme, un vol, un incendie, de l'eau ou autres dégâts causés par des risques ou autres désastres naturels.</p>
<p>CE QUE LA GARANTIE NE COUvre PAS</p> <p>Cette garantie ne s'applique pas aux pièces qui ont été endommagées par un accident, incorrect, un acte de vandalisme, un vol, un incendie, de l'eau ou autres dégâts causés par une modification, une utilisation incorrecte, un emploi abusif, une négligence, un entretien des risques ou autres désastres naturels.</p> <p>Les articles suivants sont couverts pendant la première année en vigueur de la garantie limitée pour utilisation résidentielle : les courroies, batteries, bagues, joints, dents, pneus, roues, la peinture, les pièces esthétiques et autres articles semblables qui sont normalement remplacés lors des entretiens périodiques.</p> <p>Les frais de prise en charge, de livraison et les déplacements des techniciens ne sont pas couverts par cette garantie.</p> <p>Les réparations et entretiens effectués par quiconque autre que la station technique agréée ne sont pas couverts par cette garantie.</p> <p>Les pièces qui ne sont pas des pièces de rechange authentiques de Troy-Bilt LLC ne sont pas couvertes par cette garantie.</p> <p>Le moteur est couvert séparément par la garantie de son fabricant. Consulter la garantie du fabricant du moteur.</p>	<p>CE QUE LA GARANTIE COUvre</p> <p>Troy-Bilt LLC s'engage, à son choix, à réparer ou à remplacer gratuitement (pièces et main-d'œuvre) toute pièce qui s'avère défectueuse en raison d'un vice de matière ou de fabrication.</p> <p>Cette garantie limitée à vie s'applique également aux accessoires et équipement auxiliaire non motorisés. Les accessoires et équipement auxiliaire motorisés sont garantis séparément par leurs fabricants respectifs. Consulter les conditions de la garantie qui s'applique à ces articles, offerte par leurs fabricants.</p>
<p>LES PRODUITS GARANTIS</p> <p>Tous les motoculteurs poussés à dents à l'arrière, de marque Troy-Bilt, équipés d'une transmission par engrenages.</p> <p>Cette garantie de Troy-Bilt LLC entre en vigueur à l'achat du motoculteur et reste en vigueur pour toute la durée de vie du motoculteur tant qu'il est en la possession de l'acheteur initial seulement.</p>	<p>Le non-respect des conseils d'entretien et de lubrification annule la garantie.</p>

GARANTIE LIMITÉE À VIE DU MOTOCULTEUR TROY-BILT



Garantie



Le non-respect des conseils d'entretien et de lubrification annule la garantie.

6

Dépannage



Pour toute réparation autre que les ajustements mineurs énumérés ici, adressez-vous à la station technique

Problème	Cause	Solution
<p>Le moteur ne démarre pas.</p>	<ol style="list-style-type: none"> 1. Fil de la bougie débranché. 2. Le réservoir est vide ou l'essence est éventée. 3. La commande des gaz ne se trouve pas en position de démarrage. 4. Volet de départ fermé. 5. Canalisations de carburant bouchées. 6. Bougie défectueuse. 7. Moteur noyé. 	<ol style="list-style-type: none"> 1. Branchez le fil à la bougie. 2. Faites le plein avec une essence propre et fraîche. 3. Placez la commande des gaz à la position de démarrage. 4. Ouvrez le volet de départ. 5. Nettoyez la canalisation. 6. Nettoyez, régler l'écartement ou remplacez la bougie. 7. Consultez la notice d'utilisation du moteur.
<p>Le moteur tourne irrégulièrement.</p>	<ol style="list-style-type: none"> 1. Fil de la bougie desserré. 2. Volet de départ fermé. 3. Conduite d'essence bouchée ou essence éventée. 4. Trou d'aération du chapeau d'échappement bouché. 5. Eau ou saleté dans le système de carburant. 6. Filtre à air sale. 7. Carburateur mal réglé. 	<ol style="list-style-type: none"> 1. Branchez et serrez le fil de la bougie. 2. Ouvrez le volet de départ. 3. Nettoyez la conduite d'essence. Faites le plein avec une essence propre et fraîche. 4. Nettoyez le trou d'aération. 5. Débranchez la conduite d'essence au carburateur et videz le réservoir. Faites le plein avec une essence propre et fraîche. 6. Consultez la notice d'utilisation du moteur. 7. Consultez la notice d'utilisation du
<p>Le moteur surchauffe.</p>	<ol style="list-style-type: none"> 1. Niveau d'huile trop bas. 2. Filtre à air sale. 3. La circulation d'air est gênée. 4. Carburateur mal réglé. 	<ol style="list-style-type: none"> 1. Faites le plein d'huile du carter. 2. Consultez la notice d'utilisation du moteur. 3. Consultez la notice d'utilisation du moteur. 4. Consultez la notice d'utilisation du
<p>Les dents ne s'engrènent pas</p>	<ol style="list-style-type: none"> 1. Objet dans les dents. 2. L'axe de chape des dents est manquant. 3. Courroie usée ou étirée. 4. La poulie et la poulie de tension ne 	<ol style="list-style-type: none"> 1. Arrêtez immédiatement le moto-culteur, vérifiez et dégagez le corps étranger. 2. Remplacez l'axe de chape. 3. Remplacez la courroie. 4. Faites réparer la machine par une station technique agréée.

RÉGLAGES DU CARBURATEUR/RÉGULA- TEUR

Le carburateur a été réglé à l'usine pour fonctionner au meilleur régime possible. Consultez la notice d'utilisation du moteur pour tout réglage ou adressez-vous au concessionnaire agréé.

Le régulateur contrôle le régime maximal de fonctionnement en toute sécurité du moteur et le protège le moteur et toutes les pièces en mouvement des dégâts pouvant être causés par un régime trop élevé. Ne modifiez pas les réglages du régulateur du moteur.

REMISAGE HORS SAISON

Si le motoculteur ne doit pas être utilisé pendant une période prolongée, préparez son remisage comme suit :

1. Nettoyez le motoculteur et le moteur.
2. Lubrifiez le motoculteur et vérifiez qu'il n'y a pas de pièces manquantes ou de boulonnerie desserrée.
3. Protégez le moteur et effectuez toutes les opérations d'entretien recommandées du moteur en suivant les instructions dans la notice d'utilisation du moteur.

Protégez les conduites d'essence, le carburateur et le réservoir d'essence contre la formation de dépôts de gomme en vidant tout le carburant ou en ajoutant un stabilisateur de carburant (voir les recommandations du fabricant du moteur).

4. Remisez la machine dans un abri propre et sec.
5. Ne remisez jamais le motoculteur dont le réservoir d'essence n'est pas vide, dans un abri fermé où les vapeurs d'essence pourraient entrer en contact avec une flamme nue ou une étincelle ou si des sources d'allumage existent (radiateurs, chauffe-eau, calorifères, etc.)

5. Si le moteur est équipé d'une jauge à huile, sortez-la et essuyez-la. Remplacez la jauge à huile et serrez-la à fond, puis ressortez-la. Ajoutez l'huile selon le besoin pour amener le niveau au repère « FULL ». Essayez la jauge à huile chaque fois que vous vérifiez le niveau d'huile. Ne remplissez pas trop. Serrez la jauge à huile à fond.

B. Pour changer l'huile à moteur :

Suivez les instructions fournies dans la notice d'utilisation du moteur.

ENTRETIEN DE LA BOUGIE

Inspectez, nettoyez ou remplacez la bougie après toutes les 100 heures de fonctionnement ou une fois par an. Consultez la notice d'utilisation du moteur pour plus de renseignements sur l'entretien de la bougie.

Dans certaines régions, les réglages locaux exigent l'utilisation de bougies à résistance pour éliminer les signaux d'allumage. Si le moteur est équipé d'une telle bougie, remplacez-la par une bougie similaire.

ENTRETIEN DE L'ÉCRAN PARE-ÉTINCE- LLES

Si le silencieux est équipé d'un écran pare-étincelles, démontez-le et nettoyez-le en respectant les intervalles et instructions mentionnés dans la notice d'utilisation du moteur.

RÉGLAGE DE LA COMMANDE DES GAZ

Si le moteur ne réagit pas à différents réglages de la commande des gaz, consultez la notice d'utilisation du moteur pour plus de renseignements ou adressez-vous au concessionnaire local.

5

Entretien



AVERTISSEMENT

Avant de nettoyer les dents à la main, arrêtez le moteur, attendez que toutes les pièces en mouvement se soient immobilisées et débranchez le fil de la bougie. Retirez la clé de contact sur tous les modèles à démarrage électrique. Le non respect de cette consigne peut entraîner des blessures corporelles.



Consultez la notice d'utilisation du moteur pour tout renseignement concernant la mise en route du moteur.

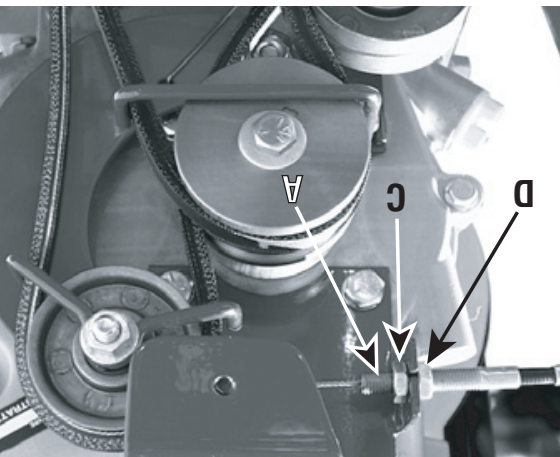


Figure 5-6: Déplacez le dispositif de réglage à filets (A) vers la gauche pour accroître la tension de la courroie.

ENTRETIEN DU FILTRE À AIR

Le filtre à air retient la saleté et la poussière présentes dans l'air avant qu'elles ne pénètrent dans le carburateur. L'utilisation d'un moteur avec un filtre à air sale ou bouché peut donner lieu à de mauvaises performances du moteur et l'endommager. N'utilisez jamais le moteur si le filtre à air n'est pas installé. Examinez et entretenir le filtre à air plus souvent si les conditions de travail sont poussiéreuses. Consultez la notice d'utilisation du moteur quant aux intervalles et instructions d'entretien du filtre à air.

VIDANGE DE L'HUILE À MOTEUR

Vérifiez le niveau de l'huile à moteur avant chaque utilisation du motoculteur et toutes les cinq heures d'utilisation continue. Un moteur utilisé avec trop peu d'huile risque d'être rapidement endommagé. Il est conseillé de changer l'huile à moteur toutes les 10 heures de fonctionnement et plus fréquemment dans des conditions de travail poussiéreuses. Consultez la notice d'utilisation du moteur pour plus de détails.

A. Vérification du niveau d'huile à moteur :

1. Placez le motoculteur sur une surface plane et arrêtez le moteur.
2. Vérifiez que le moteur est de niveau (utilisez la poignée du guide de profondeur pour mettre le moteur de niveau).
3. Nettoyez la zone autour de la jauge à huile ou du tube de remplissage (selon le cas) pour empêcher la saleté de pénétrer dans le carter.
4. Si le moteur est équipé d'un tube de remplissage, enlevez le capuchon et ajoutez l'huile (si besoin est) jusqu'à ce que le niveau atteigne le haut du tube. Remettez le capuchon.

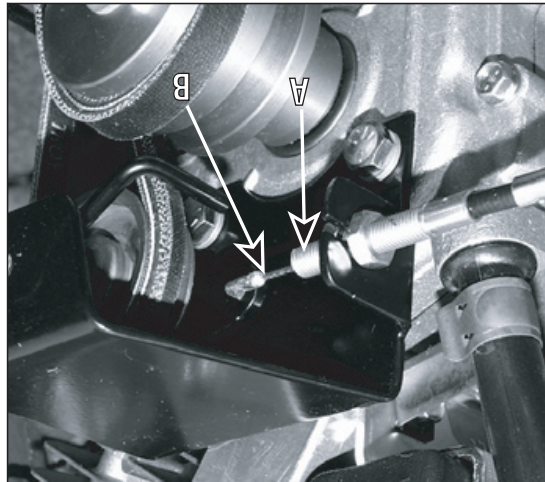


Figure 5-5: Mesurez la longueur du fil métallique du câble pour vérifier la tension de la courroie de la marche arrière.

REMARQUE : Si le fil métallique mesure plus de $\frac{1}{4}$ de po, aucun ajustement n'est nécessaire – tant que la marche arrière fonctionne normalement.

5. Lâchez le bouton de commande de la marche arrière et dévissez l'écrou de blocage intérieur (C, Figure 5-6) d'un ou deux tours. Tirez le dispositif d'ajustement du câble filleté (A, Figure 5-6) vers la gauche jusqu'à ce que l'écrou de blocage intérieur (C) touche le support.
6. Empêchez l'écrou de blocage intérieur (C) de tourner et serrez l'écrou de blocage extérieur (D) contre le support. Empêchez l'écrou de blocage extérieur (D) de tourner et serrez l'écrou de blocage intérieur (C) contre le support.
7. Mesurez l'écart en répétant le paragraphe 3. Ajustez à nouveau selon le besoin en répétant les paragraphes 5 et 6.
8. Remettez la couvre-courroie en place.

Renseignements concernant le remplacement de la courroie

Si la courroie d'entraînement doit être remplacée, adressez-vous au concessionnaire local agréé ou consultez la liste des pièces détachées pour commander les pièces. Utilisez une courroie homologuée par l'usine car une autre courroie peut ne pas fonctionner de façon satisfaisante. Cette procédure exige des connaissances mécaniques moyennes et des outils ordinaires facilement disponibles.

NETTOYAGE DU MOTEUR

Il est important de toujours garder le moteur propre pour bénéficier d'un fonctionnement régulier et pour empêcher les dégâts provoqués par la surchauffe. Consultez la notice d'utilisation du moteur quant aux intervalles et instructions de nettoyage du moteur. Attendez que le silencieux ait refroidi avant d'effectuer tout entretien du moteur.

AVERTISSEMENT



Entretien

5

Avant d'inspecter, de nettoyer ou d'effectuer une opération d'entretien quelconque, arrêtez le moteur et attendez que toutes les pièces en mouvement se soient immobilisées, débranchez le fil de la bougie et éloignez le fil de celle-ci. Le non-respect de ces instructions peut entraîner des blessures corporelles graves ou des dégâts matériels.

Le propriétaire du motoculteur ne doit pas modifier les réglages du régulateur du moteur. Celui-ci contrôle le régime maximal de fonctionnement en toute sécurité du moteur pour le protéger le moteur et toutes les pièces mobiles des dégâts pouvant être causés par un régime trop élevé. Adressez-vous à une station technique agréée si un problème existe.

Renseignements concernant le remplacement de la courroie

Si la courroie d'entraînement doit être remplacée, adressez-vous au concessionnaire local agréé ou consultez la liste des pièces détachées pour commander les pièces. Utilisez une courroie homologuée par l'usine car une autre courroie peut ne pas fonctionner de façon satisfaisante. Cette procédure exige des connaissances mécaniques moyennes et des outils ordinaires facilement disponibles.

RÉGLAGE DE LA BARRE D'EMBRAYAGE DE LA MARCHÉ AVANT

Si la barre d'embrayage de la marche avant ne fonctionne pas correctement, vérifiez que la courroie est bien ajustée (voir Vérification et ajustement de la tension de la courroie de la marche avant. Si ceci ne corrige pas le problème, adressez-vous à un concessionnaire agréé.

VÉRIFICATION ET RÉGLAGE DE LA TENSION DE LA COURROIE DE LA MARCHÉ ARRIÈRE (Modèles 643B et 645A seulement)

Il est important de toujours maintenir la tension correcte sur la courroie d'entraînement de la marche arrière. Une courroie desserrée provoquera la rotation lente des roues et des dents - ou leur arrêt complet - même si le moteur tourne à plein régime.

Une courroie trop tendue peut causer le mouvement accidentel des dents quand la barre d'embrayage se trouve au point mort (non enclenchée). Vérifiez aussi que la courroie n'est pas fendillée, coupée ou effilochée et remplacez-la rapidement si besoin est.

- Vérifiez la tension de la courroie après les deux premières heures de rodage, puis toutes les 10 heures de fonctionnement.

Vérification de la tension de la courroie de la marche arrière :

1. Arrêtez le moteur, attendez que toutes les pièces en mouvement se sont immobilisées et débranchez le fil de la bougie.
2. Retirez la vis du couvre-courroie en plastique et écartez le couvre-courroie (qui est attaché au câble d'embrayage de la marche avant).
3. Demandez à une autre personne de tirer complètement sur le bouton de commande de l'embrayage de la marche arrière et de la garder à cette position. Mesurez la longueur du fil métallique du câble entre l'extrémité du dispositif d'ajustement du câble fileté (A, Figure 5-5) et l'extrémité du raccord en Z (B) sur lequel le fil métallique est attaché.
4. La tension de la courroie est correcte si le fil métallique mesure entre 1/8 et 1/4 de po de long. Si il mesure moins de 1/8 de po (et si la marche arrière ne s'embraye pas quand le motoculteur fonctionne), procédez comme suit :

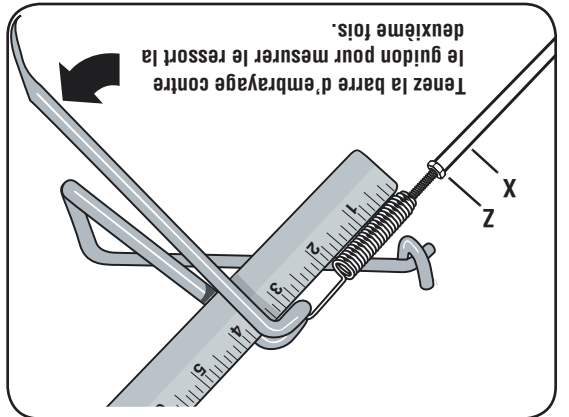


Figure 5-4: Pour vérifier la tension de la courroie de la

marché avant, prenez deux mesures de la longueur totale du ressort - la première quand la barre d'embrayage est relâchée, l'autre quand elle est pressée contre le guidon.

1. Arrêtez le moteur, attendez que toutes les pièces en mouvement se soient immobilisées et débranchez le fil de la bougie.

2. La barre d'embrayage de la marche avant étant relâchée, mesurez et notez la longueur totale du ressort du câble (A, Figure 5-4) entre les deux boudins extérieurs.

3. Pressez la barre d'embrayage de la marche avant contre le guidon (voir la Fig. 5-4) et mesurez à nouveau la longueur du ressort. La tension est correcte si la deuxième mesure est entre 1/16 et 3/16 po plus longue que la première mesure.

4. Si le ressort est trop court (moins de 1/16 po), la tension est insuffisante. Si le ressort est trop long (plus de 3/16 po), la tension est trop importante.

5. Pour ajuster la longueur du ressort :
 - a. Lâchez la barre d'embrayage de la marche avant.
 - b. Dévissez l'écrou à six pans (C, Figure 5-4) à mi-hauteur sur la vis de réglage (D).

- c. Décrochez le ressort de la barre d'embrayage de la marche avant.
- d. Utilisez une pince pour empêcher le dispositif de réglage de tourner et tournez la vis fendue dans le ressort dans le sens des aiguilles d'une montre (de la position de conduite) pour augmenter la tension.

- e. Répétez les paragraphes 2 et 3 pour mesurer à nouveau la longueur du ressort. Si la deuxième mesure est entre 1/16 et 3/16 po plus longue que la première, resserrerz l'écrou à six pans (C) contre le haut du dispositif de réglage (B).

5

Entretien



AVERTISSEMENT

Avant de nettoyer les dents à la main, arrêtez le moteur, attendez que toutes les pièces en mouvement se soient immobilisées et débranchez le fil de la bougie. Retirez la clé de contact sur tous les modèles à démarrage électrique.

Le non respect de cette consigne peut entraîner des blessures corporelles.




Consultez la notice d'utilisation du moteur pour tout renseignement concernant la mise en route du moteur.

5

Entretien

AVERTISSEMENT



Avant de nettoyer les dents à la main, arrêtez le moteur, attendez que toutes les pièces en mouvement se soient immobilisées et débranchez le fil de la bougie. Retirez la clé de contact sur tous les modèles à démarrage électrique.

Le non respect de cette consigne peut entraîner des blessures corporelles.

Le chargement et le déchargement du motoculteur dans un véhicule peuvent présenter des risques et nous vous le déconseillons, sauf en cas de besoin extrême car ceci peut entraîner des blessures corporelles et des dégâts matériels. Si vous devez absolument charger le motoculteur suivez les directives.

DENTS BOLO

vers l'avant

Les dents bolo s'usent à l'usage et doivent être

examinées au début de chaque saison de travail et

après toutes les 30 heures d'utilisation. Elles peuvent

être remplacées individuellement ou toutes ensemble.

Voir la Liste des pièces détachées pour les identifier et

déterminer leurs numéros de pièce.

A. Inspection des dents :

À l'usage, les dents deviennent de plus en plus courtes,

plus étroites et pointues. Des dents très usées ne

travailleront pas aussi profondément et ne seront pas

aussi efficaces pour émietter et retourner les matières

organiques.

B. Démontage/Installation d'une seule dent :

1. Arrêtez le moteur et débranchez le fil de la bougie,

puis enlevez les deux vis (A, Figure 5-3) et les deux

écrous (B) qui retiennent la dent sur le support de

montage. Au besoin, utilisez une huile pénétrante

pour desserrer les écrous.

2. Assurez-vous de placer la dent neuve de manière

que son tranchant (côté affûté) pénètre dans la terre

en premier quand le motoculteur avance.

C. Démontage/Installation de l'ensemble des dents :

1. L'ensemble des dents comprend huit dents installées

sur un support de montage.

2. Si vous démontez les deux ensembles de dents,

identifiez les ensembles de droite et de gauche

avant de les retirer du motoculteur. Enlevez la vis (C),

remplacez-la rapidement si besoin est.

Figure 5-3: Installez les dents de façon que le tranchant pénètre dans la terre en premier quand le motoculteur se déplace vers l'avant.

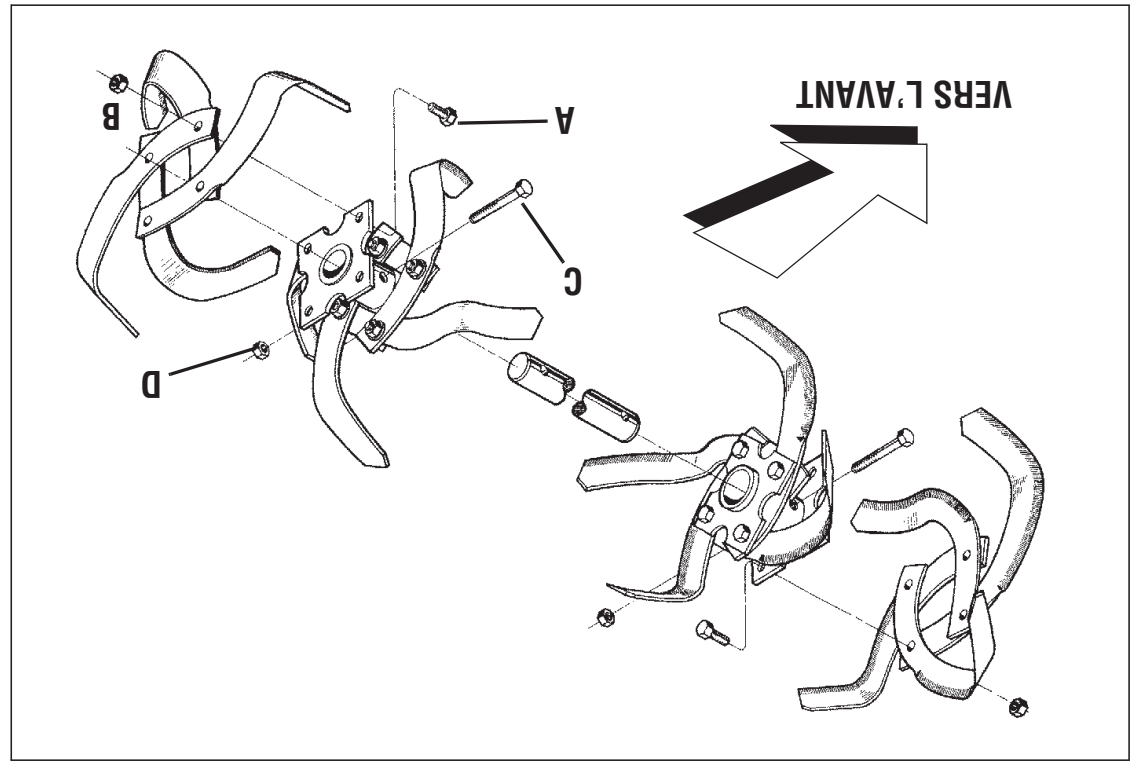


Figure 5-3) et le contre-écrou (D) qui maintiennent

l'ensemble sur l'arbre des dents. Au besoin, utilisez un

marteau en caoutchouc pour dégager l'ensemble des

dents de l'arbre.

3. Avant d'installer l'ensemble neut, inspectez qu'il

n'y a pas de rouille, d'aspérités ou d'ébarbures sur

l'arbre. Utilisez du papier de verre ou une lime selon

le besoin. Appliquez une fine couche de graisse sur

l'ensemble des dents sur l'arbre avec la vis et le

contre-écrou.

4. Installez les ensembles de dents de façon que le

tranchant (côté affûté) des dents pénètre dans la terre

en premier quand le motoculteur avance. Maintenez

l'ensemble des dents sur l'arbre avec la vis et le

contre-écrou.

AVANT

VERIFICATION ET RÉGLAGE DE LA TENSION DE LA COURROIE DE LA MARCHÉ

Il est important de toujours maintenir la tension correcte

sur la courroie d'entraînement de la marche avant. Une

courroie desserrée provoquera la rotation lente des roues

et des dents - ou leur arrêt complet - même si le moteur

tourne à plein régime. Une courroie trop tendue peut

causer le mouvement accidentel des dents quand la barre

d'embrayage se trouve au point mort (non enclenchée).

• Vérifiez la tension de la courroie après les deux

premières heures de rodage, puis toutes les 10 heures

de fonctionnement.

• À la fin de chaque saison de travail, vérifiez que la

courroie n'est pas fendillée, coupée ou effilochée et

remplacez-la rapidement si besoin est.

MISSION HUILE POUR ENGRENAGES DE LA TRANS-

Vérifiez le niveau de l'huile pour engrenages de la transmission toutes les 30 heures de fonctionnement et chaque fois que vous remarquez une fuite d'huile quelconque. L'utilisation du motoculteur quand le niveau d'huile est bas peut entraîner des dégâts graves.

A. Vérification du niveau de l'huile pour engrenages de la transmission

1. Vérifiez le niveau d'huile quand la transmission est froide. L'huile se dilate quand la température augmente et la dilatation donne lieu à une lecture incorrecte du niveau de l'huile.

2. Placez le motoculteur sur une surface plane et relevez complètement la poignée du guide de profondeur.

3. Retirez le bouchon d'huile (A, Fig. 5-2) de l'habitacle de la transmission et localisez l'arbre de transmission principal par le trou de remplissage de l'huile.

4. Le niveau d'huile est correct si l'huile arrive à mi-hauteur environ de l'arbre de transmission principal.

5. Si le niveau d'huile est plus bas, ajoutez de l'huile selon les instructions ci-dessous. Si le niveau d'huile est bon, remettez le bouchon en place et serrez-le à fond.

IMPORTANT : N'utilisez pas le motoculteur si le niveau d'huile est trop bas. Ceci peut entraîner des dégâts graves de la transmission.

6. S'il est nécessaire d'ajouter quelques onces d'huile pour engrenages, utilisez une huile API classifiée GL-4 ou GL-5, d'une viscosité SAE 140, SAE 85W ou SAE 80W-90. Pour refaire le plein d'une transmission vide, n'utilisez que de l'huile GL-4 d'une viscosité SAE 85W-140 ou SAE 140.

IMPORTANT : N'utilisez pas une huile pour transmission automatique ni une huile à moteur.

7. Vérifiez fréquemment le niveau pour ne pas verser trop d'huile. Ajoutez lentement l'huile pour engrenages dans le trou jusqu'à ce qu'elle arrive à mi-hauteur de l'arbre de transmission.

8. Remettez le bouchon en place.

L'huile de la transmission n'a pas à être vidangée, sauf si elle a été contaminée par de la saleté, du sable ou des particules métalliques.

1. Videz l'essence du réservoir ou laissez tourner le moteur jusqu'à ce qu'il tombe en panne d'essence. Voir « AVERTISSEMENT » ci-dessous.

B. Vidange de l'huile pour engrenages de la transmission :

1. Videz l'huile du moteur.
2. Enlevez les quatre vis (B, Fig. 5-2) et démontez le couvercle et le joint de la transmission.
3. Démontez la roue gauche.
4. Basculez l'axe de la roue de gauche dans une cuvette pour que l'huile pour engrenages sorte du haut de la transmission.
5. Remontez la roue.
6. Installez un joint neut (ne réutilisez pas le joint usagé) et remettez le couvercle de la transmission en place.
7. Retaites le plein de la transmission avec une huile pour engrenages GL-4 (SAE 85W-140 ou SAE 140).
8. Retaites le plein d'huile à moteur et refaites le plein d'essence.

AVERTISSEMENT : L'essence est un produit très inflammable et ses vapeurs peuvent exploser. Suivez ces consignes de sécurité pour éviter tout risque de blessure corporelle ou de dégâts matériels causés par un incendie ou une explosion.

Attendez que le moteur et le silencieux aient refroidi pendant au moins deux minutes avant de vider le réservoir d'essence.

N'approchez pas d'une flamme nue, d'une source d'étincelles, d'allumettes et ne fumez pas à proximité du motoculteur.

Essayez toutes les échaboussures et éloignez le motoculteur de l'endroit où l'essence a été renversée.

Utilisez seulement un récipient homologué et remisez-le hors de la portée des enfants.

Ne remisez pas l'essence dans un endroit où ses vapeurs peuvent entrer en contact avec une flamme nue ou une étincelle ou en présence d'autres sources d'allumage (chauffe-eau ou calorifères, sèche-linge, cuisinières, moteurs électriques, etc.)

Figure 5-2: Enlevez le bouchon d'huile (A) pour vérifier le niveau de l'huile pour engrenages de la transmission et pour ajouter de l'huile. Enlevez les quatre vis du couvercle (B) pour faire la vidange d'huile.



AVERTISSEMENT

N'utilisez pas le

motoculteur si la pente est trop abrupte pour garantir une utilisation en toute sécurité.

Travaillez lentement en restant toujours stable. Ne laissez jamais le motoculteur descendre une pente en ROUES LIBRES. Le non respect de cette

consigne de sécurité peut entraîner des blessures corporelles.

Avant d'inspecter, de nettoyer ou d'effectuer une opération d'entretien quelconque, arrêtez le moteur, attendez que toutes les pièces

en mouvement se soient immobilisées, débranchez le fil de la bougie et éloignez le respect de ces instructions peut entraîner des blessures graves ou des dégâts matériels.


Entretien

5

5


Entretien

AVERTISSEMENT



Avant d'inspecter, de nettoyer ou d'effectuer une opération d'entretien le moteur et attendez quelconque, arrêtez le moteur et attendez que toutes les pièces en mouvement se soient immobilisées, débranchez le fil de la bougie et éloignez le fil de celle-ci. Le non-respect de ces instructions peut entraîner des blessures corporelles graves ou des dégâts matériels.

Consultez la notice d'utilisation du moteur pour tout renseignement concernant la mise en route du moteur.



CALENDRIER D'ENTRETIEN	
PROCÉDURE	
NOTES	
2, 3	Vérifiez le niveau d'huile à moteur.
2, 7	Nettoyez le moteur.
1, 4	Vérifiez la tension de la courroie de transmission.
1, 4	Vérifiez les boulons et écrous.
4, 6, 9	Changez l'huile à moteur.
4	Lubrifiez le motoculteur.
7	Nettoyez le filtre à air du moteur.
1, 5	Vérifiez le niveau de l'huile de la transmission.
5	Vérifiez l'usure des dents.
5	Vérifiez la pression des pneus (le cas échéant)
7	Changez la bougie.

LUBRIFICATION DU MOTOCULTEUR

Toutes les 10 heures d'utilisation, huilez ou graissez les points de lubrification indiqués à la Figure 5-1 et décrite plus bas.

Utilisez une huile lubrifiante propre (une huile à moteur n° 30 convient parfaitement) et une graisse à usages multiples propre (contenant un lubrifiant pour métaux de préférence).

- Démontez les roues, nettoyez l'axe des roues (A, Fig. 5-1) et appliquez une fine couche de graisse sur l'axe.
- Graissez l'arrière, l'avant et les côtés de la poignée du guide de profondeur (B, Fig. 5-1).
- Démontez les dents et nettoyez l'arbre des dents (C, Fig. 5-1). Utilisez une lime ou du papier de verre pour éliminer la rouille, les ébarbures ou les rugosités (en particulier autour des trous de l'arbre). Appliquez la graisse sur les extrémités de l'arbre avant d'installer les dents.
- Huilez les filets des vis de réglage de la hauteur du guidon et les vis de montage du guidon (D, Fig. 5-1).

VÉRIFICATION DES FUITES D'HUILE POS-SIBLES

Avant chaque utilisation, assurez-vous qu'il n'y a pas de fuite d'huile – apparaissant comme une accumulation sur la machine ou sur le sol.

Un peu d'huile à proximité d'un couvercle ou d'un joint de rodage, n'est pas une cause d'alarme, mais si de l'huile goutte, il est important de trouver l'origine de la fuite. Ne pas y porter attention peut entraîner des dégâts graves à la transmission !

Si la fuite apparaît à proximité d'un couvercle, vérifiez un joint neut.

Si la fuite paraît provenir d'un arbre et d'un joint d'huile, remplacez le joint. Adressez-vous à un concessionnaire agréé ou à l'usine.

IMPORTANT : N'utilisez jamais le motoculteur si le niveau d'huile de la transmission est trop bas. Vérifiez le niveau d'huile après 30 heures de fonctionnement ou s'il y a une fuite d'huile quelconque.

VÉRIFICATION DE LA BOULONNERIE

Vérifiez que toute la boulonnerie est présente et bien serrée toutes les 10 minutes d'utilisation et resserrer-la ou remplacez-la le cas échéant, avant de vous servir à nouveau du motoculteur.

N'oubliez pas de vérifier les vis sous le capot du motoculteur car elles maintiennent le couvercle de la transmission et la poignée du guide de profondeur sur la transmission.

VÉRIFICATION DE LA PRESSION DES PNEUS

(Modèles équipés de pneus)

Vérifiez la pression d'air dans les deux pneus. La pression doit se situer entre 5 et 20 lb/po².

Les deux pneus doivent être gonflés à la même pression pour empêcher le motoculteur de tirer plus d'un côté que de l'autre.

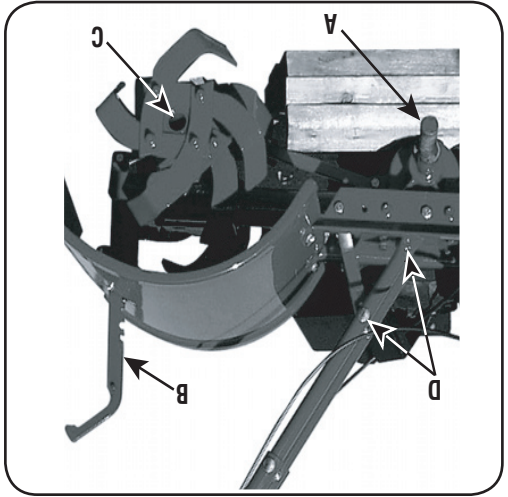


Figure 5-1

CHARGEMENT ET DÉCHARGEMENT DU MOTOCULTEUR



AVERTISSEMENT : Le chargement et le déchargement du motoculteur dans un véhicule peuvent présenter des risques et nous vous le déconseillons, sauf en cas de besoin extrême car ceci peut entraîner des blessures corporelles et absolument charger le motoculteur, procédez comme suit :

- Placez des cales en bois devant les roues s'il est nécessaire d'arrêter le motoculteur sur la rampe et de l'empêcher de rouler. Utilisez aussi des cales pour bloquer temporairement le motoculteur sur la rampe et pour bloquer les roues quand le motoculteur est dans le véhicule chargé.
- Une fois le motoculteur chargé, empêchez-le de rouler en plaçant les roues au mode ROUES MOTOCULTEUR. Calez les roues et attachez le motoculteur au véhicule.

Jardinage en terrasses

- Pour aménager une terrasse, commencez à travailler au sommet de la pente, puis descendez. Effectuez plusieurs passages sur le premier rang, comme à la Fig. 4-10.
- Pour aménager chaque terrasse inférieure réussie, marchez en dessous de la terrasse que vous préparez. Pour améliorer la stabilité du motoculteur, gardez toujours la roue en amont dans la terre meuble qui vient d'être retournée. Ne retournez pas les 12 derniers pouces ou plus sur le côté extérieur en aval de chaque terrasse. Cette zone non travaillée empêche l'érosion des terrasses et procure aussi une allée entre les rangs.

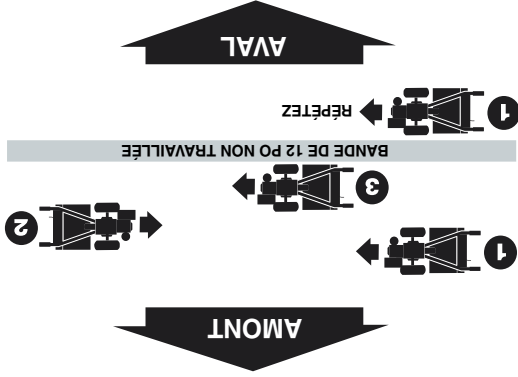


Fig. 4-10

- Avant de charger ou de décharger le motoculteur, arrêtez le moteur, attendez que le fil de la bougie et attendez que le moteur et le silencieux aient refroidi.
- Le poids et la taille du motoculteur le rendent difficile à soulever par une seule personne. Deux personnes ou plus sont recommandées.
- Utilisez une rampe très solide et roulez le motoculteur manuellement (le moteur est arrêté) pour charger ou décharger le motoculteur du véhicule. Deux personnes ou plus sont recommandées pour ce travail.
- Les rampes doivent être suffisamment solides pour supporter le poids combiné du motoculteur et d'une ou de plusieurs personnes. Elles doivent aussi fournir une bonne traction pour empêcher tout dérapage, être dotées de rails de guidage latéral et d'un dispositif de blocage sur le véhicule.
- Les personnes doivent porter des chaussures solides qui les empêcheront de glisser.
- Positionnez le véhicule de manière que l'angle de la rampe soit le plus plat possible (moins la rampe est inclinée, plus le chargement/déchargement est facile). Arrêtez le moteur du véhicule et serrez le frein de stationnement.
- Dans la montée, placez-vous à la position normale de conduite et poussez le motoculteur devant vous. Placez une personne de chaque côté pour tourner les roues.
- Pour la descente, marchez à recuions de manière que le motoculteur vous suive. Assurez-vous qu'il n'y a pas d'obstacles derrière vous. Placez une personne à chaque roue pour contrôler la vitesse du motoculteur. Ne descendez jamais avec le motoculteur en premier car il pourrait basculer vers l'avant.

AVERTISSEMENT



Utilisation



Avant de nettoyer les dents à la main, arrêtez le moteur, attendez que toutes les pièces en mouvement se soient immobilisées et débranchez le fil de la bougie. Retirez la clé de contact sur tous les modèles à démarrage électrique. Le non respect de cette consigne peut entraîner des blessures corporelles. Les modèles à démarrage électrique. Le non respect de cette consigne peut entraîner des blessures corporelles et des dégâts matériels.

Le chargement et le déchargement du motoculteur dans un véhicule peuvent présenter des risques et nous vous le déconseillons, sauf en cas de besoin extrême car ceci peut entraîner des blessures corporelles et des dégâts matériels.

Le mouvement des dents assure leur auto-nettoyage, ce qui supprime les débris emmêlés. Il se peut toutefois que des herbes sèches, des tiges filamenteuses ou des vignes plus robustes demeurent coincées dans les dents. Procédez comme suit pour nettoyer les dents si besoin est.

Nettoyage des dents

- Pour travailler dans le sens de la longueur puis dans le sens de la largeur, chevauchez le premier passage d'une demi-largeur du motoculteur, puis effectuez les passages suivants à un quart de largeur du motoculteur. (voir la Fig. 4-8).
- Si les dimensions du jardin ne permettent pas de travailler dans le sens de la longueur puis dans le sens de la largeur, chevauchez le premier passage d'une demi-largeur du motoculteur, puis effectuez les passages suivants à un quart de largeur du motoculteur. (voir la Fig. 4-8).
- Pour limiter les risques d'emmêlement, réglez le guide de profondeur suffisamment profondément pour bénéficier d'une action coupante maximale lors du contact des dents avec la terre. Essayez aussi d'enterrer les débris végétaux encore verts, humides et tendres.
- Essayez aussi de bouger le guidon de droite à gauche en travaillant (de 6 à 12 po). Ce mouvement en « queue de poisson » permet souvent de nettoyer les dents. Si des débris se prennent dans les dents, dégagez celles-ci de la terre et faites-les tourner en marche arrière (le cas échéant) sur une distance de quelques pieds. Ce mouvement contre-rotatif devrait déloger bien des débris.
- Il sera peut-être nécessaire de déloger les débris à la main (un couteau de poche sera très utile pour couper les débris). N'oubliez pas d'arrêter le moteur et de débrancher le fil de la bougie avant de nettoyer les dents à la main.

Travail parallèlement à la pente (à la verticale)

- Pour minimiser l'érosion du sol, pensez à ajouter suffisamment de matière organique pour assurer la bonne retenue d'humidité et essayez de ne pas laisser trop d'empreintes de pieds ou de roues.
- Pour travailler parallèlement à la pente, nous recommandons de faire un premier passage en montant car les dents travailleront plus en profondeur dans la montée que dans la descente. Si la terre est meuble ou en présence de mauvaises herbes, il faudra peut-être relever légèrement le guidon dans la montée. Dans la descente, chevauchez le premier passage d'une demi-largeur du motoculteur.
- **IMPORTANT :** Si vous travaillez sur des pentes, vérifiez que le niveau d'huile correct est toujours maintenu dans le moteur (vérifiez toutes les demi-heures de travail). L'inclinaison du motoculteur modifie le niveau de l'huile et peut empêcher la bonne lubrification des pièces du moteur. Maintenez toujours le plein d'huile!
- **Travail parallèlement à la pente (à la verticale)**
- **IMPORTANT :** Si vous travaillez sur des pentes, vérifiez que le niveau d'huile correct est toujours maintenu dans le moteur (vérifiez toutes les demi-heures de travail). L'inclinaison du motoculteur modifie le niveau de l'huile et peut empêcher la bonne lubrification des pièces du moteur. Maintenez toujours le plein d'huile!
- Si des débris se prennent dans les dents, dégagez celles-ci de la terre et faites-les tourner en marche arrière (le cas échéant) sur une distance de quelques pieds. Ce mouvement contre-rotatif devrait déloger bien des débris.
- Il sera peut-être nécessaire de déloger les débris à la main (un couteau de poche sera très utile pour couper les débris). N'oubliez pas d'arrêter le moteur et de débrancher le fil de la bougie avant de nettoyer les dents à la main.

Lisez attentivement les recommandations suivantes avant de travailler sur des pentes :

1. Ne travaillez que sur de légères pentes, jamais sur des pentes très prononcées où la stabilité est inadéquate. (Voir les consignes de sécurité du Chapitre 1 : Sécurité dans cette notice d'utilisation.)
2. Nous vous recommandons de travailler parallèlement à la pente, plutôt que dans l'autre sens. De cette manière, vous bénéficiez d'une surface de plantation maximale et aussi plus de place pour biner.

Binage

- Une bonne planification permettra de laisser suffisamment de place entre les rangs pour permettre de les biner (voir Fig. 4-9). Prévoyez suffisamment d'espace pour la largeur du capot, ainsi qu'un espace suffisant pour la croissance future des plantes.



Fig. 4-9



Fig. 4-8

AVERTISSEMENT



Utilisation



Le chargement et le déchargement dans un véhicule peuvent présenter des risques et nous vous le déconseillons, sauf en cas de besoin extrême car ceci peut entraîner des blessures corporelles et des dégâts matériels. Si vous devez absolument charger le motoculteur suivez les directives.

CONSEILS ET TECHNIQUES DE TRAVAIL

- Ce motoculteur est équipé de dents contre-rotatives (CRT). Quand les roues tournent vers l'avant, les dents tournent dans le sens contraire. Ceci donne lieu à un mouvement ascendant des dents qui travaillent en profondeur et arrachent les mauvaises herbes tout en retournant la terre. Ne demandez pas au moteur de faire trop d'efforts, mais travaillez le plus profondément possible à chaque passage. Lors des passages suivants, les roues risquent de patiner dans la terre amolée. Vous pouvez aider en relevant légèrement le guidon (une main, paume vers le haut, est le plus efficace).
 - Résistez à la tentation de pousser sur le guidon pour faire travailler les dents plus profondément. Ceci a pour conséquence de réduire le poids sur les roues motrices et de diminuer la traction. Si les roues ne ralentissent pas le motoculteur, les dents auront tendance à le faire reculer, vers le conducteur. (Parfois, une légère pression sur le guidon permettra de travailler plus facilement une section de terre particulièrement difficile, mais dans la plupart des cas, ceci ne sera pas nécessaire).
 - Pour biner (soit émietter la terre autour des plantes pour éliminer les mauvaises herbes, voir la Fig. 4-9), réglez la profondeur de travail des dents à 1 ou 2 po seulement. Un travail à faible profondeur évite d'endommager les plantes dont les racines sont superficielles. En cas de besoin, relevez légèrement le guidon pour empêcher les dents de travailler trop profondément. (Un binage régulier élimine non seulement les mauvaises herbes, mais émette et aère la terre pour permettre une meilleure absorption de l'humidité et, par conséquent, une poussée plus vigoureuse). L'arrosage du potager quelques jours avant de le labourer de même que laisser la terre reposer pendant un jour ou deux avant d'effectuer le dernier passage en profondeur facilitera le travail.
 - Avec un peu d'expérience, vous déterminerez rapidement la profondeur et la vitesse de travail qui conviennent le mieux dans votre jardin.
 - Réglez la manette de la commande des gaz à un régime qui fournit suffisamment de puissance au moteur tout en laissant travailler à la vitesse la plus lente... au moins jusqu'à ce que vous ayez atteint la profondeur de travail maximale de votre choix. Un régime plus élevé peut être souhaitable lors du dernier passage dans un semis ou en binant. La sélection du régime correct, en fonction de la profondeur de travail, assurera une puissance suffisante pour accomplir le travail sans demander au moteur de faire des efforts.
- Choix de la vitesse correcte des roues et des dents**
- Le labourage d'une terre détrempée donne souvent lieu à la formation de grosses mottes de terre dure qui gênent la croissance des jeunes plants. Dans la mesure du possible, essayez d'attendre plusieurs jours après de grosses pluies avant de travailler la terre pour lui permettre de sécher un peu. Vérifiez la condition de la terre en formant une boule. Si la terre se comprime facilement, elle est trop détrempée.
- Évitez de laisser des empreintes !**
- Dans la mesure du possible, marchez du côté qui n'a pas encore été travaillé pour ne pas laisser d'empreintes sur la terre fraîchement retournée ou binée. Les empreintes ont tendance à tasser la terre et à contribuer à son érosion. Elles risquent aussi de « planter » des graines indésirables dans une terre fraîchement préparée.
- Laisser le motoculteur faire son travail !**
- Détendez-vous en travaillant et laissez les roues faire avancer le motoculteur pendant que les dents labourent la terre. Marchez sur le côté qui n'a pas encore été travaillé (pour éviter de laisser des empreintes sur la terre qui vient d'être retournée) et tenez légèrement, mais fermement, le guidon d'une seule main.
- Préparation des semis**
- Pour préparer des semis, passez deux fois sur le premier rang, puis chevauchez les passages suivants d'une demi-largeur du motoculteur (voir la Fig. 4-6). Effectuez un deuxième passage perpendiculaire, comme à la Fig. 4-7. Vous obtiendrez de meilleurs résultats en faisant chevaucher chaque passage (dans une terre très compacte, trois ou quatre passages pourront être nécessaires pour pulvériser la terre).

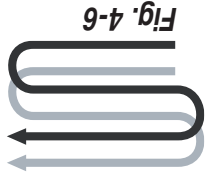


Fig. 4-6

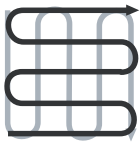


Fig. 4-7

AVERTISSEMENT

Utilisation

Avant de nettoyer les dents à la main, arrêtez le moteur, attendez que toutes les pièces en mouvement se soient immobilisées et débranchez le fil de la bougie. Retirez la clé de contact sur tous les modèles à démarrage électrique. Le non respect de cette consigne peut entraîner des blessures corporelles.

Avant de travailler le sol, prenez contact avec la compagnie de téléphone et autres entités sur votre propriété. Ne travaillez pas à proximité de câbles électriques, conduites ou tuyaux enterrés.



4. Pour faire tourner les roues en marche avant et pour enclencher les dents :
- Relevez la barre d'embrayage de la marche avant (Fig. 4-1) contre le guidon, relâchez la barre pour arrêter le mouvement des roues et des dents.
 - Soyez détendu en travaillant et laissez les roues tirer le motoculteur pendant que les dents labourent la terre. Marchez un peu en retrait et à côté du motoculteur. Tenez fermement le guidon d'une seule main (tout en restant détendu). Voir la Fig. 4-2. Laissez le motoculteur avancer à son propre rythme, sans appuyer sur le guidon pour forcer les dents à travailler plus en profondeur – ce qui réduirait le poids au-dessus des roues et diminuerait la traction.



AVERTISSEMENT : N'appuyez pas sur le guidon pour essayer de faire travailler les dents plus en profondeur. Ceci empêche les roues de ralentir le motoculteur et peut provoquer la propulsion trop rapide des dents et par conséquent le déplacement brusque du motoculteur. Ceci peut entraîner la perte de contrôle du motoculteur, des dégâts matériels et des blessures corporelles.

5. Pour faire tourner les roues et les dents en marche arrière (Modèles 643B et 645A seulement) :

- Regardez derrière vous et faites très attention en reculant. Ne retournez pas la terre en reculant.
- Arrêtez tout mouvement vers l'avant. Relevez le guidon d'une main jusqu'à ce que les dents soient sorties de la terre, puis tirez sur la commande d'embrayage de la marche arrière (Fig. 4-3). Pour arrêter le mouvement vers l'arrière, lâchez le bouton d'embrayage de la marche arrière.

6. Pour déplacer le Modèle 643B en marche arrière sur de courtes distances.

- Lâchez la barre d'embrayage de la marche avant, puis relevez le guidon jusqu'à ce que les dents sortent de la terre.

- Basculez le guidon vers la gauche pour que la roue droite soit légèrement en retrait de la roue gauche. Basculez ensuite le guidon vers la droite pour que la roue gauche soit en retrait de la roue droite. Répétez au besoin.
- Pour parcourir de plus longues distances en marche arrière, arrêtez le moteur puis placez les deux roues en mode ROUES LIBRES.

7. Pour faire demi-tour avec le motoculteur :
- Habituez-vous à tourner le motoculteur dans un endroit bien dégagé. Faites très attention de bien éloigner vos pieds et jambes des dents.



Fig. 4-4: Pour commencer à tourner, relevez le guidon jusqu'à ce que les dents sortent de la terre et que le motoculteur soit équilibré.



Fig. 4-5: Les dents hors du sol, poussez le guidon vers le côté du virage.

- Pour commencer le demi-tour, relevez le guidon jusqu'à ce que les dents sortent du sol et que le moteur et les dents soient bien équilibrés au-dessus des roues (Fig. 4-4).
- Le motoculteur étant équilibré, poussez le guidon du côté du virage (Fig. 4-5). Quand le demi-tour est terminé, abaissez lentement les dents dans la terre pour continuer à travailler.

Arrêt du motoculteur et du moteur

- Pour arrêter les roues et les dents, lâchez la barre d'embrayage de la marche avant (tous les modèles) ou la commande d'embrayage de la marche arrière (Modèles 643B et 645A) – selon celle qui est utilisée.
- Pour arrêter le moteur, placez l'interrupteur d'allumage et/ou la manette de la commande des gaz à la position « OFF » ou « STOP ».

Utilisation



AVERTISSEMENT

N'utilisez pas le motoculteur si la pente est trop abrupte pour garantir une utilisation en toute sécurité. Travaillez lentement en restant toujours stable. Ne laissez jamais le motoculteur descendre une pente en ROUES LIBRES. Le non respect de cette consigne de sécurité peut entraîner des blessures corporelles.

Avant de nettoyer les dents à la main, arrêtez le moteur, attendez que toutes les pièces en mouvement se soient immobilisées et débranchez le fil de la bougie. Retirez la clé de contact sur tous les modèles à démarrage électrique.

Le non respect de cette consigne peut entraîner des blessures corporelles.



- Avant de faire démarrer le moteur, placez les deux roues en mode ROUES MOTRICES. Ne laissez jamais les roues en mode ROUES LIBRES quand le moteur tourne. Si les roues sont en ROUES LIBRES, elles ne retiendront pas le motoculteur et les dents peuvent déplacer le motoculteur rapidement vers l'avant ou vers l'arrière.
 - Avant de faire démarrer le moteur, placez la barre d'embrayage de la marche avant (tous les modèles) et la commande d'embrayage de la marche arrière (Modèles 643B et 645A seulement) au point mort en lâchant les commandes. Ne laissez jamais le moteur tourner à l'intérieur ou dans un endroit fermé et mal aéré. Les gaz d'échappement du moteur contiennent du monoxyde de carbone, un gaz mortel et inodore. Ne touchez pas le silencieux et ses abords, car leur température peut atteindre 150°F.
 - 3. Abaissez complètement la poignée du guide de profondeur à la position de transport pour que les dents ne touchent pas le sol.
 - 4. Relâchez toutes les commandes du motoculteur.
 - 5. Si le moteur est équipé d'une soupape de carburant, ouvrez-la selon les instructions dans la notice d'utilisation du moteur fournies séparément.
 - 6. Placez l'interrupteur d'allumage et/ou la manette de la commande des gaz qui se trouve sur le moteur à la position « ON », « RUN », « FAST » ou « START », selon les instructions dans la notice d'utilisation du moteur fournies séparément.
 - 7. Fermez le volet de départ ou amorcez le moteur, selon les instructions dans la notice d'utilisation du moteur fournies séparément.
 - 8. Placez une main sur le réservoir d'essence pour stabiliser le motoculteur et tirez sur la poignée de la corde du démarreur. Utilisez le démarreur à lancers pour faire démarrer le moteur, selon les instructions dans la notice d'utilisation du moteur fournies séparément. Quand le moteur démarre, ouvrez progressivement le volet de départ (le cas échéant) en déplaçant la manette à la position « NO CHOKE », « CHOKE OFF » ou « RUN ».
 - 9. Utilisez la position « FAST » de la commande des gaz pour travailler.
- Arrêt du moteur et des dents**
- Pour arrêter le moteur et les dents, il suffit de lâcher la barre d'embrayage de la marche avant (tous les modèles) ou la commande d'embrayage de la marche arrière (Modèles 643B et 645A) – selon celle qui est utilisée.
- Pour arrêter le moteur, placez l'interrupteur d'allumage et/ou la manette de la commande des gaz à la position « OFF » ou « STOP ».

1. Effectuez les Vérifications avant le démarrage énoncées au début du chapitre. Vérifiez que les roues sont en mode ROUES MOTRICES.
 2. Abaissez complètement la poignée du guide de profondeur pour que les dents ne touchent pas le sol. Familiarisez-vous avec le motoculteur à cette position et déplacez-vous. Avant de commencer à travailler, travaillez le guide de profondeur à la profondeur de travail désirée (voir les Conseils et techniques de travail).
 3. Faites démarrer le moteur et laissez-le s'échauffer avant de placer la commande des gaz à la position « FAST ».
- Ce motoculteur est équipé de « dents contre-rotatives » (CRT). Il fonctionne différemment d'un motoculteur ordinaire (SRT). Quand les roues avancent, les dents tournent dans le sens inverse, ce qui provoque un mouvement ascendant des dents qui travaillent en profondeur et arrachent les mauvaises herbes tout en retournant bien la terre.
1. Effectuez les Vérifications avant le démarrage énoncées au début du chapitre. Vérifiez que les roues sont en mode ROUES MOTRICES.

UTILISATION DU MOTOCULTEUR

Figure 4-3: Sortez les dents du sol et regardez derrière vous en reculant.

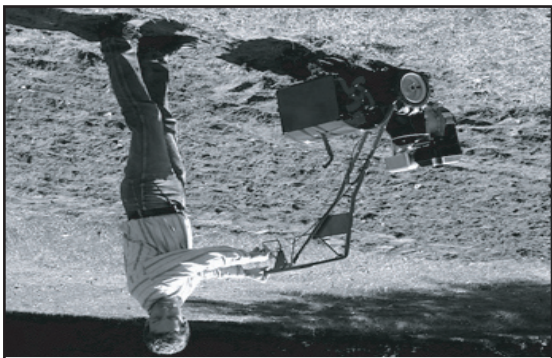


Figure 4-2: Utilisez une seule main pour guider le motoculteur en marche avant.



Consultez la notice d'utilisation du moteur pour tout renseignement concernant la mise en route du moteur.



Assurez-vous que le conducteur ne se trouve à proximité du démarreur du moteur ou pendant l'utilisation du motoculteur. Ne faites jamais tourner le moteur à l'intérieur ou dans un local clos ou mal ventilé. Les gaz d'échappement du moteur contiennent du monoxyde de carbone, un gaz inodore mortel. Eloignez toujours vos mains, pieds, cheveux et vêtements non ajustés de toutes les pièces en mouvement du moteur et de la notice.


AVERTISSEMENT




Utilisation



Utilisation



AVERTISSEMENT



Le mécanisme de commande de l'embrayage des dents est un dispositif de sécurité. N'essayez jamais de contourner son rôle ou de modifier son réglage.

Faites très attention en manipulant de l'essence. L'essence est extrêmement inflammable et les vapeurs sont explosif. Ne faites *jamais* le plein d'essence à l'intérieur, pendant que le moteur tourne ou quand le moteur est chaud. **Eteignez** toute cigarette ou pipe, tout cigare ou toute autre source incendieuse.

N'approchez pas vos mains et vos pieds des dents. Veuillez lire l'avertissement apposé sur la machine.

AVERTISSEMENT : Avant d'utiliser la machine, veuillez lire attentivement et bien comprendre toutes les consignes de sécurité (Chapitre 1), les commandes (Chapitre 3) et autres instructions (Chapitre 4) dans cette notice d'utilisation, dans la notice d'utilisation du moteur et sur les étiquettes apposées sur la machine. Le non respect de ces instructions peut entraîner des blessures graves.

INTRODUCTION

Lisez attentivement le chapitre *Utilisation* et la notice d'utilisation du moteur avant de mettre le moteur en marche. Prenez aussi le temps de vous familiariser avec le fonctionnement du motoculteur avant de l'utiliser dans le jardin. Choisissez une zone dégagée et plate pour vous habituer à utiliser les commandes du motoculteur sans enclencher les dents dans la terre (les dents étant réglées à la position de transport). Une fois à l'aise avec le motoculteur, vous pourrez commencer à travailler dans le jardin.



RODAGE

Effectuez les entretiens suivants après les deux premières heures d'utilisation du motoculteur neuf (voir le chapitre *Entretien* de cette notice d'utilisation et dans la notice d'utilisation du moteur).

1. Changez l'huile à moteur.
2. Vérifiez que la boulonnerie est bien serrée et que rien ne manque. Serrez ou remplacez toute boulonnerie manquante.
3. Vérifiez la tension de la courroie de la marche avant.
4. Vérifiez le niveau de l'huile pour engrenages de la transmission.

DÉMARRAGE ET ARRÊT

Vérifications avant le démarrage

Débranchez le fil de la bougie pour effectuer les vérifications et entretiens suivants avant chaque utilisation :

1. Lisez attentivement les chapitres Consignes de sécurité et Commandes dans cette notice d'utilisation. Lisez la notice d'utilisation du moteur fournie avec le motoculteur.
2. Réglez les roues en mode ROUES MOTRICES (les goupilles doivent traverser les moyeux et l'axe des roues).
3. Vérifiez que la boulonnerie n'est ni desserrée ni manquante et réparez ou remplacez au besoin.
4. Vérifiez le niveau de l'huile à moteur. Voir la notice d'utilisation du moteur.
5. Vérifiez que tous les dispositifs de sécurité et de protection sont en place.
6. Vérifiez le filtre à air et le système de refroidissement du moteur. Voir la notice d'utilisation du moteur.

AVERTISSEMENT : L'ESSENCE EST UN PRODUIT TRÈS INFLAMMABLE ET SES VAPEURS PEUVENT EXPLOSER. Respectez les consignes de sécurité concernant l'essence, énoncées dans cette notice d'utilisation (voir le Chapitre 1) et dans la notice d'utilisation du moteur.

Le non respect de ces consignes de sécurité peut entraîner des blessures corporelles graves et des dégâts matériels.

Faites le plein du réservoir avec l'essence recommandée dans la notice d'utilisation du moteur. Suivez attentivement toutes les instructions et toutes les consignes de sécurité.

8. Rebranchez le fil de la bougie.

Démarrage du moteur

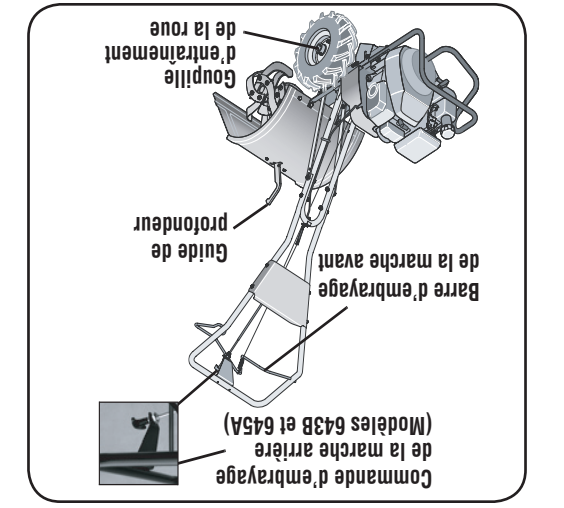
Les paragraphes suivants expliquent comment mettre le moteur en marche et comment l'arrêter.

AVERTISSEMENT : Ne tentez pas d'enclencher les dents ou les roues tant que vous n'avez pas lu toutes les instructions dans ce chapitre. Revoyez aussi les consignes de sécurité du Chapitre 1 : Consignes de sécurité, ainsi que les renseignements sur les commandes du motoculteur et du moteur du Chapitre 3 : Caractéristiques et commandes.

1. Faites les Vérifications avant le démarrage énumérées précédemment sur cette page.

2. Placez les roues en mode ROUES MOTRICES (voir Goupilles d'entraînement des roues dans le Chapitre 3 de cette notice d'utilisation).

AVERTISSEMENT : Pour éviter toute blessure corporelle grave ou dégât à l'équipement :

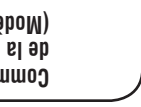


AVERTISSEMENT : Ne tentez pas d'enclencher les dents ou les roues tant que vous n'avez pas lu toutes les instructions dans ce chapitre. Revoyez aussi les consignes de sécurité du Chapitre 1 : Consignes de sécurité, ainsi que les renseignements sur les commandes du motoculteur et du moteur du Chapitre 3 : Caractéristiques et commandes.

1. Faites les Vérifications avant le démarrage énumérées précédemment sur cette page.

2. Placez les roues en mode ROUES MOTRICES (voir Goupilles d'entraînement des roues dans le Chapitre 3 de cette notice d'utilisation).

AVERTISSEMENT : Pour éviter toute blessure corporelle grave ou dégât à l'équipement :



POIGNÉE DU GUIDE DE PROFONDEUR

Cette poignée (F, Figure 3-5) permet de régler la profondeur de travail des dents.

Tirez sur la poignée et relevez-la ou abaissez-la pour la bloquer dans les encoches correspondant à la hauteur voulue.

La position de transport (encoche la plus haute) relève les dents à environ 1 ½ po du sol, ce qui permet le déplacement du motoculteur sans que les dents touchent le sol. Cette position doit aussi être utilisée lors du démarrage.

Le fait de relever la poignée augmente la profondeur de travail. L'encoche la plus basse correspond à une profondeur de travail de 6 po environ, en fonction des conditions du sol. Pour obtenir de meilleurs résultats, commencez toujours par travailler en surface et augmentez progressivement la profondeur de travail.



AVERTISSEMENT : N'essayez pas de travailler trop profondément la profondeur. Augmentez progressivement la profondeur de travail. Placez la poignée du guide de profondeur à la position de transport avant de faire démarrer le moteur. Cette position empêche les dents de toucher le sol jusqu'à ce que vous soyez prêt à travailler. Le non respect de cet avertissement peut entraîner des blessures corporelles ou des dégâts matériels.

RÉGLAGE DE LA HAUTEUR DU GUIDON

Le guidon peut être ajusté à trois hauteurs différentes (Figure 3-6). De manière générale, ajustez le guidon à hauteur de la taille du conducteur quand les dents sont entonçées à 3 ou 4 po dans la terre.

Pour ajuster le guidon :

1. Arrêtez le moteur, débranchez le fil de la bougie et laissez le moteur refroidir.
2. Retirez la boulonnerie et repositionnez le guidon. Replacez la boulonnerie.

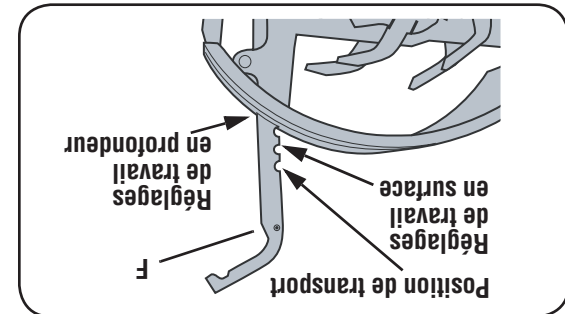


Figure 3-5: Poignée du guide de profondeur (G).

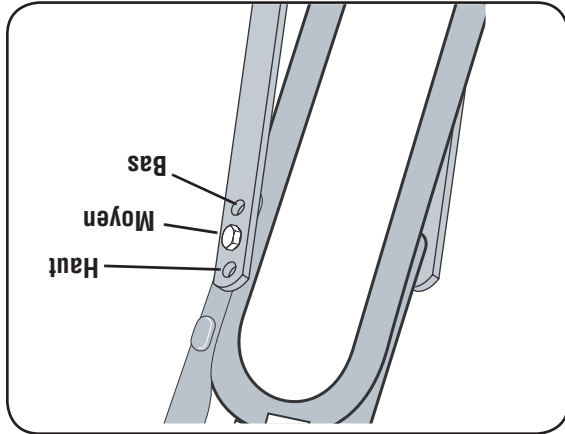


Figure 3-6: Réglage de la hauteur du guidon.

Caractéristiques et commandes

3



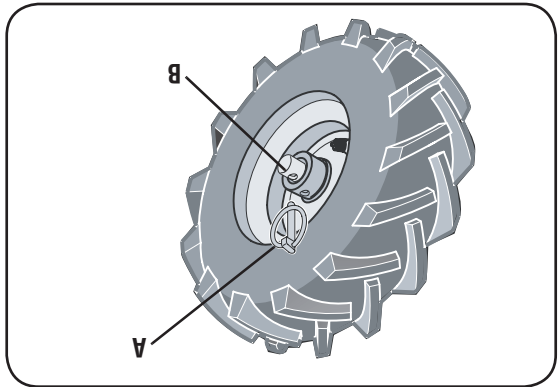
AVERTISSEMENT

Assurez-vous que le conducteur ne se trouve à proximité du motoculteur lors du démarrage du moteur ou pendant l'utilisation du motoculteur. Ne faites jamais tourner le moteur à l'intérieur ou dans un local clos ou mal ventilé. Les gaz d'échappement du moteur contiennent du monoxyde de carbone, un gaz inodore mortel. Eloignez toujours vos mains, pieds, cheveux et vêtements non ajustés de toutes les pièces en mouvement du moteur et de la motoculteur.



Consultez la notice d'utilisation du moteur pour tout renseignement concernant la mise en route du moteur.

Figure 3-3: Mode ROUES LIBRES



COMMANDE D'EMBRAYAGE DE LA MARCHE ARRIERE (Modèles 643B et 645A seulement)

La commande d'embrayage de la marche arrière (E, Figure 3-4) enclenche les roues et les dents en marche arrière. Cette caractéristique sert seulement à manoeuvrer le motoculteur – n'enfoncez jamais les dents dans le sol pour travailler en marche arrière.

AVERTISSEMENT : Faites très attention en utilisant la marche arrière ou en tirant la machine vers vous. Regardez derrière vous pour éviter tout obstacle.



N'essayez jamais de travailler la terre en marche arrière. Le non respect de cet avertissement peut entraîner des blessures corporelles ou des dégâts matériels.

Pour utiliser la commande de la marche arrière :

1. Réglez les roues en mode ROUES MOTRICES (voir l'avertissement plus haut à gauche).
2. Arrêtez tout mouvement du motoculteur en relâchant la barre d'embrayage de la marche avant.
3. Relevez le guidon jusqu'à ce que les dents sortent du sol, regardez derrière vous pour éviter tout obstacle, puis tirez sur le bouton de commande (E, Figure 3-4). Les roues et les dents tourneront en marche arrière.
4. Lâchez le bouton de commande pour arrêter les roues et les dents (le moteur continue de tourner).

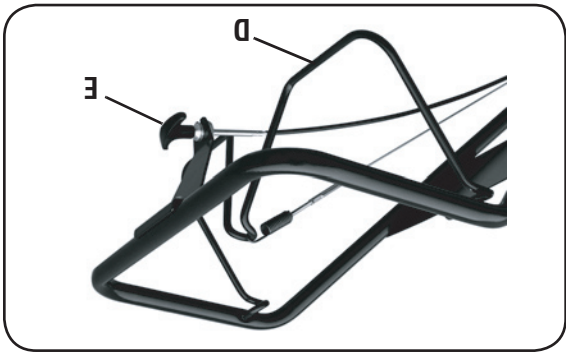


Figure 3-4: Tous les modèles sont équipés d'une barre d'embrayage de la marche avant (E). Seul le modèle 643A est équipé d'une commande de la marche arrière (F).

4. POUR LE MODE ROUES MOTRICES (Figure 3-2) : Glissez la roue vers l'extérieur et alignez les trous du moyeu (D, Figure 3-2) et de l'axe des roues (B). Enfoncez la goupille Klik (A) dans le moyeu (C) et l'axe (B). Répétez la procédure sur l'autre roue et retirez la cale qui soutient la transmission.

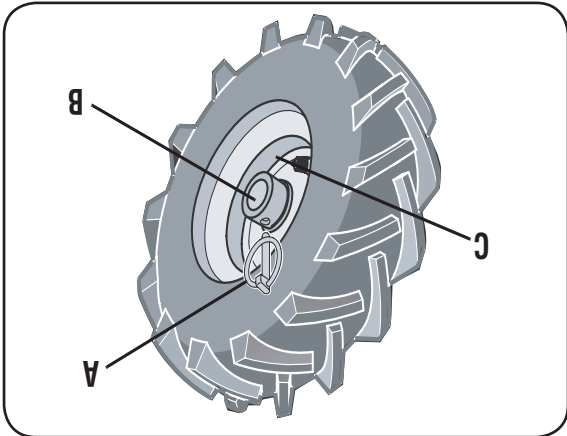


Figure 3-2: Mode ROUES MOTRICES

5. POUR LE MODE ROUES LIBRES (Figure 3-3) : Glissez la roue vers l'intérieur et enfoncez la goupille Klik (A, Figure 3-3) dans le trou de l'axe (B) seulement. Répétez la procédure sur l'autre roue et retirez la cale qui soutient la transmission.



AVERTISSEMENT : Avant de mettre le moteur en marche, vérifiez que les roues sont en mode ROUES MOTRICES. Consultez la section Goupilles d'entraînement des roues.

L'enclenchement de la barre d'embrayage de la marche avant ou de la marche arrière (le cas échéant) si les roues ne sont pas réglées en mode ROUES MOTRICES peut provoquer le déplacement rapide du motoculteur vers l'avant ou l'arrière. Le non respect de cette consigne peut entraîner la perte de contrôle du motoculteur, des dégâts matériels ou des blessures corporelles.

AVANT BARRE D'EMBRAYAGE DE LA MARCHE

Cette barre (D, Figure 3-4) permet d'embrayer les roues et les dents en marche avant.

Pour utiliser la barre d'embrayage de la marche avant :

1. Réglez les roues en mode ROUES MOTRICES (voir l'avertissement plus haut).
2. Relevez et maintenez la barre d'embrayage (D, Figure 3-4) contre le guidon pour faire tourner les roues et les dents vers l'avant.
3. Relâchez la barre d'embrayage pour arrêter les roues et les dents (le moteur continue de tourner).

Caractéristiques et commandes

3

AVERTISSEMENT



N'essayez pas de travailler trop profondément

de travailler trop profondément

Augmentez progressivement la profondeur de travail. Placez la poignée du guide de profondeur à la position de transport avant de faire démarrer le moteur. Cette position empêche les dents de toucher le sol jusqu'à ce que vous soyez prêt à travailler. Le non respect de cet avertissement peut entraîner des blessures corporelles ou des dégâts matériels.



Consultez la notice d'utilisation du moteur pour tout renseignement concernant la mise en route du moteur.



AVERTISSEMENT : Ne placez jamais les roues en mode ROUES LIBRES quand le moteur tourne. Vérifiez que les deux roues se trouvent en mode ROUES MOTRICES avant de mettre le moteur en marche. Le non respect de cette consigne peut entraîner la perte de contrôle du motoculteur, des dégâts matériels ou des blessures corporelles.

MOTRICES ou en mode ROUES LIBRES. (B). Les roues peuvent être placées en mode ROUES 3-2 et 3-3) qui maintient la roue sur l'axe des roues. Chaque roue est équipée d'une goupille Klik (A, Figures

GOUPILLES D'ENTRAÎNEMENT DES ROUES

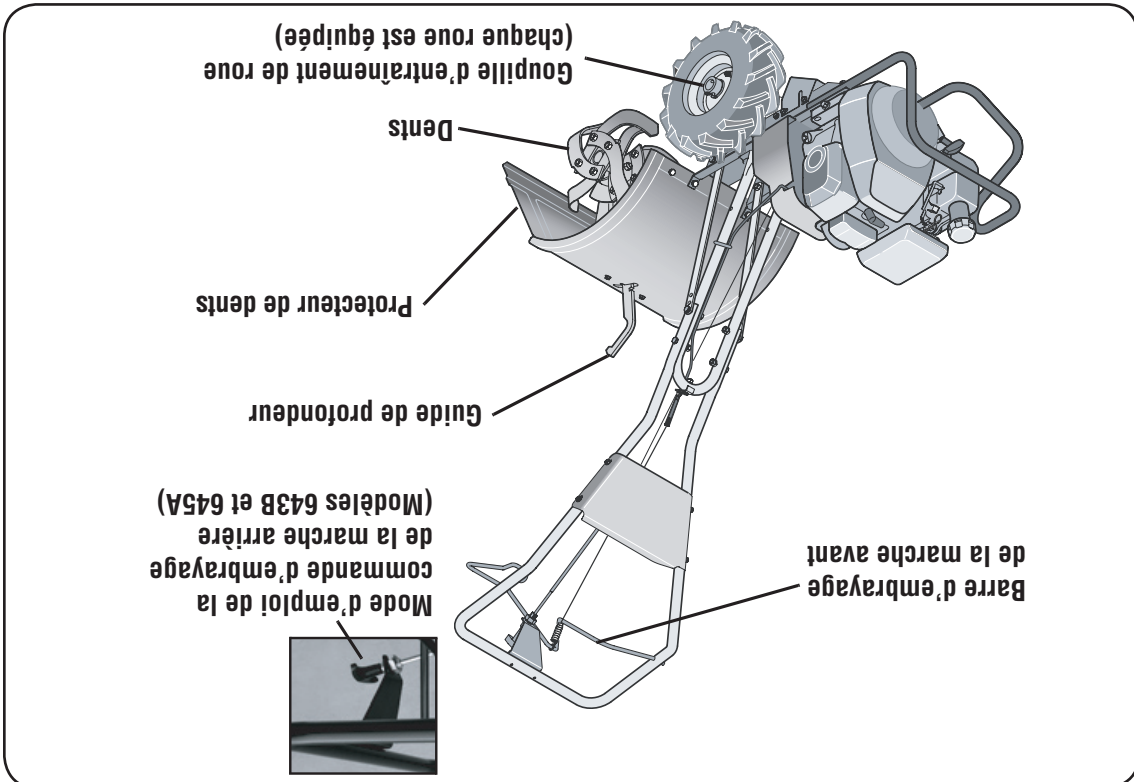
IMPORTANT : La commande d'arrêt du moteur se trouve sur le moteur même. Consultez la notice d'utilisation du moteur fournie par le fabricant du moteur (dans la documentation qui accompagne le motoculteur) pour identifier les différentes commandes du moteur.

COMMANDES DU MOTEUR

Ce chapitre explique l'emplacement et le rôle des diverses commandes du motoculteur. Consultez le chapitre suivant Utilisation pour plus de détails. Familiarisez-vous avec le fonctionnement de ces commandes, le moteur à l'arrêt, jusqu'à ce que vous compreniez bien leur rôle.

INTRODUCTION

Figure 3-1 : Caractéristiques et commandes de le moto-culteur. Référez-vous au notice d'utilisation de moteur pour identifier les commandes de moteur.



1. Arrêtez le moteur, débranchez le fil de la bougie et laissez le moteur refroidir.
2. Relevez une roue à environ un pouce du sol et placez une cale solide sous la transmission.
3. Enlevez une goupille Klik (A, Figures 3-2 et 3-3) de l'arbre d'entraînement des roues (B).



AVERTISSEMENT : Ne basculez pas le motoculteur sur le côté pour changer la position des goupilles sur les roues. L'essence pourrait couler du réservoir. Le non respect des instructions peut entraîner des blessures corporelles ou des dégâts matériels.

Le mode ROUES LIBRES n'est recommandé que pour le déplacement du motoculteur quand le moteur ne tourne pas. En ROUES LIBRES, les goupilles sont enfoncées dans les trous de l'axe des roues (pas dans les moyeux), ce qui permet aux roues de tourner librement quand le motoculteur est déplacé manuellement. Pour régler les roues en mode ROUES MOTRICES ou ROUES LIBRES :

Avant de faire démarrer le moteur, placez les deux roues en mode ROUES MOTRICES en enfonçant les goupilles Klik dans les moyeux des roues et dans l'axe des roues. Les roues sont ainsi bloquées sur l'axe, ce qui les fait tourner quand la barre de commande de la marche avant (sur tous les modèles) ou la barre de commande de la marche arrière (Modèles 643B et 645A) est embrayée.

Caractéristiques et commandes



AVERTISSEMENT

Avant d'utiliser la machine, veuillez lire attentivement et bien comprendre toutes les consignes de sécurité, les commandes et autres instructions dans cette notice d'utilisation du moteur et sur les étiquettes apposées sur la machine. Le non respect de ces instructions peut entraîner des blessures graves. Faites très attention en manipulant de l'essence. L'essence est extrêmement inflammable et les vapeurs sont explosif. Ne faites jamais le plein d'essence à l'intérieur, pendant que le moteur tourne ou quand le moteur est chaud. Éteignez toute cigarettes ou pipe, tout cigare ou toute autre source incandescente.

Vérifiez la pression des pneus avec un manomètre. Gonflez ou dégonflez les pneus de manière égale pour maintenir une pression entre 15 et 20 lb/po² (lb par pouce carré). Vérifiez que les deux pneus sont gonflés à la même pression sinon le motoculteur tirera d'un côté ou de l'autre.

NEUVIÈME ÉTAPE : VÉRIFICATION DE LA PRESSION DES PNEUS (sur les modèles équipés de pneus).

Fig. 2-11: Dévissez le bouchon du carter d'huile.



Fig. 2-10: Réglage du guide de profondeur.

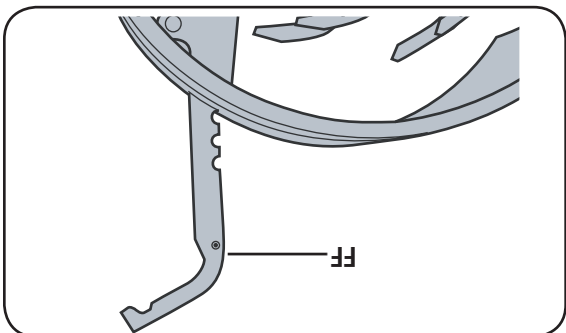
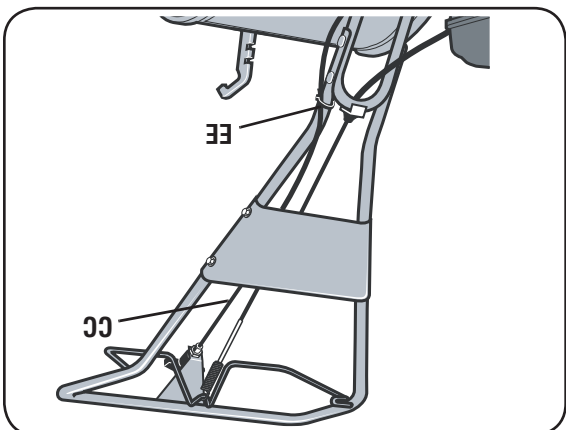


Fig. 2-9: Acheminement du câble d'embrayage de la marche arrière (CC). Maintenez en place avec un attache-câble (EE).



1. Consultez la notice d'utilisation du moteur pour séparer pour tous les renseignements concernant la quantité et la qualité d'huile à utiliser.
2. Placez le motoculteur sur une surface plane et relevez ou abaissez la poignée du guide de profondeur (FF, Fig. 2-10) jusqu'à ce que le moteur soit bien de niveau.
3. Ajoutez l'huile à moteur selon les instructions fournies dans la notice d'utilisation du moteur.
4. Abaissez complètement la poignée du guide de profondeur jusqu'à ce qu'elle s'enclenche dans l'encoche la plus haute. De cette façon, les dents se déplacent le motoculteur sans que les dents touchent le sol.

Le motoculteur a été expédié sans le plein d'huile à moteur.

SEPTIÈME ÉTAPE : PLEIN D'HUILE À MOTEUR

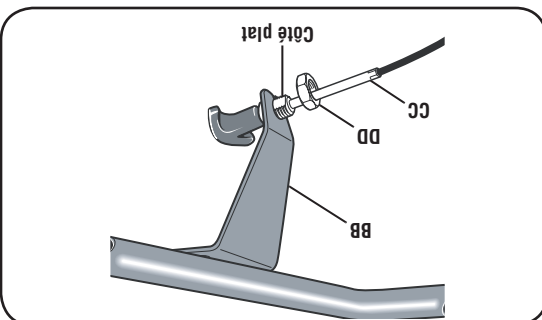
1. Placez le motoculteur sur une surface plane et relevez la poignée du guide de profondeur (FF, Fig. 2-10) pour l'enclencher dans l'encoche la plus basse.
2. Dévissez le bouchon du carter d'huile (GG, Fig. 2-11) de l'habitacle de la transmission et localisez l'arbre de transmission principal dans l'habitacle.
3. Le niveau d'huile est correct si l'huile arrive à mi-hauteur de l'arbre de transmission principal.
4. Si le niveau est trop bas, ajoutez de l'huile après avoir lu Vérification du niveau d'huile de la transmission dans le chapitre 5.

IMPORTANT : N'utilisez pas le motoculteur si le niveau d'huile est bas car vous risquez d'endommager gravement les pièces de la transmission.

Le plein d'huile pour engrenages a été fait à l'usine. Nous vous conseillons toutefois de vérifier le niveau d'huile.

SIXIÈME ÉTAPE : VÉRIFICATION DU NIVEAU D'HUILE DE LA TRANSMISSION

Fig. 2-8: Installation du support et du câble de marche arrière.



Lisez, comprenez, et suivez toutes les instructions et les consignes sur la machine et dans ce notice avant le fonctionnement.

AVERTISSEMENT



Assemblage

2

QUATRIÈME ÉTAPE : INSTALLATION DU CÂBLE D'EMBRAYAGE DE LA MARCHÉ AVANT

1. Déroulez lentement le câble d'embrayage de la marche avant (câble sans bouton) de sa position pour l'expédition et faites glisser le fil métallique fin du câble (M, Fig. 2-4) dans la fente du support du câble. Poussez le raccord de câble (N, Fig. 2-4) dans le trou du support jusqu'à ce que la rainure du raccord se mette en place.
2. Filetez l'écrou n° 10 - 24 à six pans (Z, Fig. 2-5) à mi-hauteur sur la vis (V) qui passe dans le ressort (W, Fig. 2-5).
3. Filez la vis (V) dans le dispositif de réglage du câble (X).

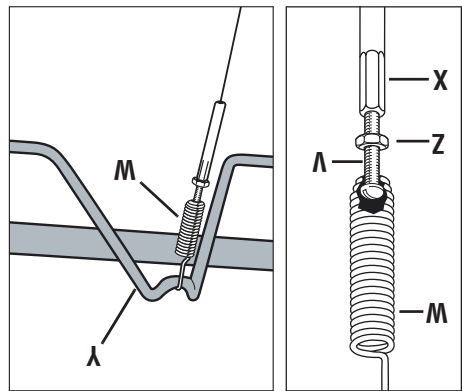


Fig. 2-5: Ressort et dispositif de réglage du câble
Fig. 2-6: Installation du ressort du câble d'embrayage sur la barre d'embrayage de la marche avant.

4. Vérifiez la tension de la courroie de la marche avant en mesurant deux fois le ressort du câble, comme suit :
 - a. La barre d'embrayage de la marche avant (Y, Fig. 2-6) étant relâchée, mesurez la longueur du ressort du câble (W) entre les deux boudins extérieurs.
 - b. Pressez la barre d'embrayage de la marche avant contre le guidon (voir la Fig. 2-7) et mesurez à nouveau la longueur du ressort. La tension est correcte si la deuxième mesure est de 1/16 à 3/16 po plus longue que la première mesure. Dans ce cas, serrez l'écrou à six pans (Z, Fig. 2-7) à fond contre le dispositif de réglage du câble (X) pour empêcher celui-ci de tourner.
 - c. Si la longueur du ressort est incorrecte, ajustez la tension du câble de la façon expliquée dans la section Vérification et ajustement de la tension de la courroie de la marche avant, dans le Chapitre 5. Une tension incorrecte du câble peut faire dérapier la courroie (tension insuffisante) ou provoquer un mouvement accidentel des dents quand la barre d'embrayage est au point mort (tension trop importante).

CINQUIÈME ÉTAPE : INSTALLATION DU CÂBLE D'EMBRAYAGE DE LA MARCHÉ ARRIÈRE (MODELES 643B ET 645A SEULEMENT).

1. Déroulez lentement le câble d'embrayage de la marche arrière (CC, Fig. 2-8 et Fig. 2-9) de sa position pour l'expédition et amenez-le jusqu'au guidon. Vérifiez que le câble passe sous la barre d'embrayage de la marche avant.
2. Enfoncez le câble (CC, Fig. 2-8) dans la fente sur le support du câble et placez le côté plat de l'ensemble fileté contre le côté plat du trou. Glissez l'écrou à six pans (DD) sur le câble et serrez-le à fond.
3. Maintenez le câble d'embrayage de la marche arrière sur la gauche du guidon avec un attache-câble (EE, Fig. 2-9).
4. Vérifiez le bon fonctionnement de l'embrayage de la marche arrière en tirant et relâchant le bouton. Le bouton doit retourner au point mort (et reposer contre le support). Dans le cas contraire, adressez-vous au concessionnaire local pour toute aide technique.

Fig. 2-7 : Pour vérifier la tension de la courroie, mesurez deux fois la longueur des boudins du ressort - d'abord, quand la barre d'embrayage est relâchée, puis quand la barre est maintenue contre le guidon.

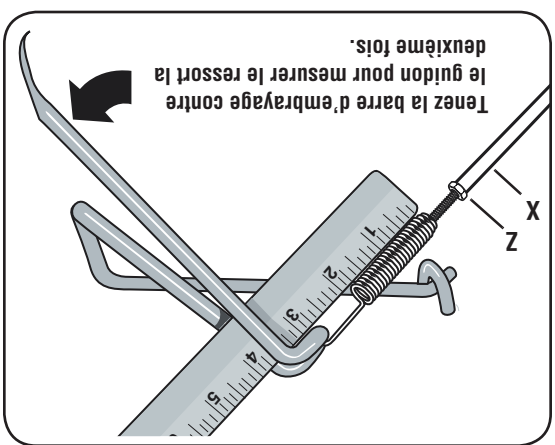
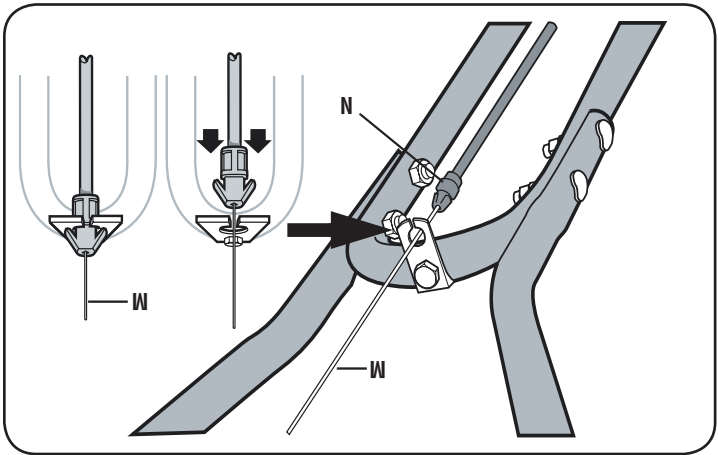


Fig. 2-4: Installation du support et du câble d'embrayage de la marche avant



Assemblage

2

!

REMARQUE: Une tension incorrecte du câble peut faire dérapier la courroie (tension insuffisante) ou provoquer un mouvement accidentel des dents quand la barre d'embrayage est au point mort (tension trop importante).



IMPORTANT : Les supports doivent être assemblés sur l'extérieur du guidon.

IMPORTANT : Avant de faire démarrer le moteur, placez les roues en mode ROUES MOTRICES (les goupilles doivent traverser les moyeux et l'axe des roues).

Cette procédure est expliquée plus en détails dans la section Goupilles des roues motrices, à la page 10.

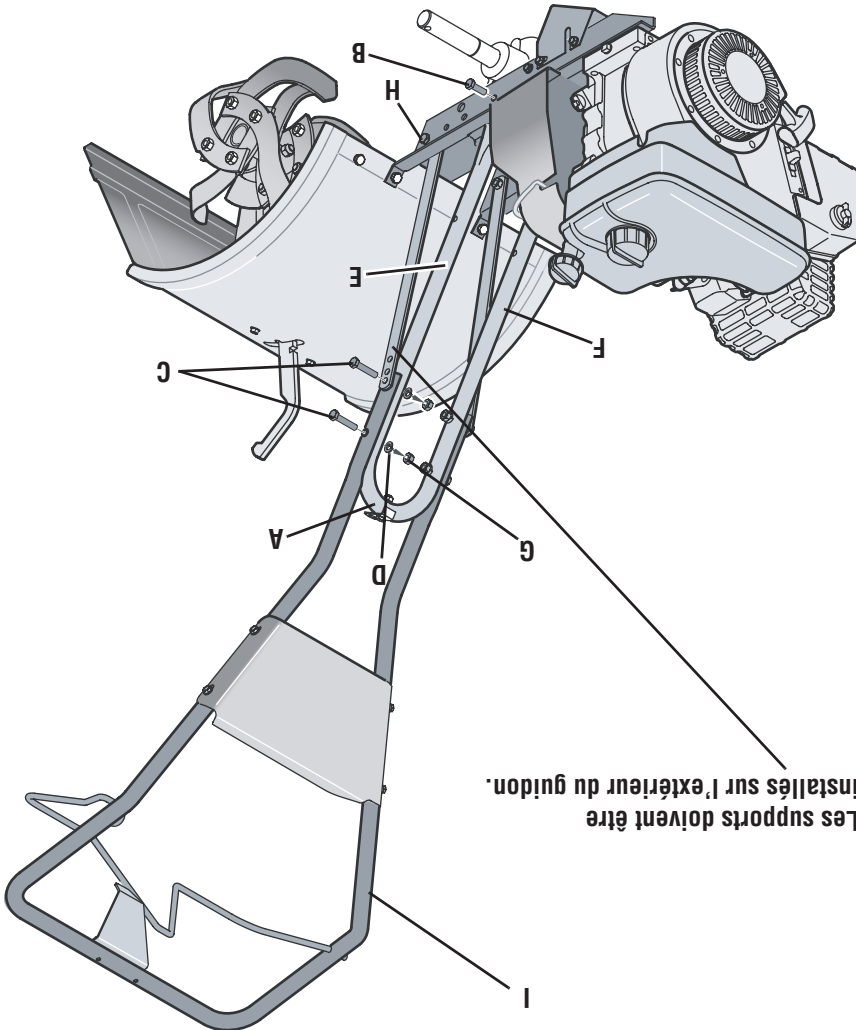


Fig. 2.2: Installation du guidon

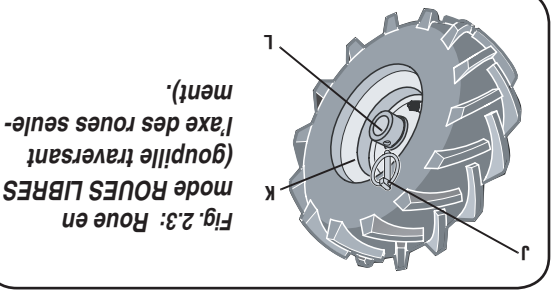
2. Utilisez deux vis de 5/16 po – 18 x 1 1/2 po (C), deux rondelles-trein fendues de 5/16 po (D) et deux écrous à six pans de 5/16 po – 18 (G) pour attacher le support du guidon (A) dans les trous supérieurs sans le serrer. Puis serrez les deux vis à fond.
3. Trois trous de réglage de la hauteur sont prévus dans les deux supports du guidon (E et F, Fig. 2-2). Choisissez le réglage qui positionne le guidon à la hauteur de votre taille quand les dents sont entfoncées à une profondeur de 3 à 4 po dans le sol. Attachez, sans les serrer, les supports sur l'extérieur du guidon (I) avec deux vis de 5/16 po – 18 x 1 1/2 po (G), deux rondelles-trein fendues de 5/16 po (D) et deux écrous à six pans de 5/16 po – 18 (G). REMARQUE : Si un support ne bouge pas, desserrez la vis (H) et l'écrou.
4. Serrez à fond toute la boulonnerie du guidon.

Pour sortir le motoculteur de la caisse, réglez le motoculteur en mode ROUES LIBRES, comme suit :

TROISIEME ETAPE : SORTIR LE MOTOCULTEUR DE LA CAISSE.

1. Placez une cale robuste sous la transmission pour soulever une roue à environ 1 po du sol.
2. Retirez la goupille Klik (J, Fig. 2-3) du moyeu de la roue (K) et de l'axe des roues (L).
3. Faites glisser la roue complètement vers l'intérieur sur l'axe (N, Fig. 2-3). Insérez la goupille Klik (J) dans l'axe des roues (L) seulement (pas dans le moyeu). La roue doit pouvoir tourner librement (roue libre) sur l'axe. Procédez de la même façon pour l'autre roue.
4. Servez-vous du guidon pour déplacer le motoculteur jusqu'à un endroit plat.

Fig. 2.3: Roue en mode ROUES LIBRES (goupille traversant l'axe des roues seulement).



AVERTISSEMENT : Pour éviter tout risque de blessure corporelle ou de dégât matériel, ne faites pas démarrer le moteur tant que l'assemblage n'est pas complètement terminé. Assurez-vous aussi d'avoir lu et bien compris le mode d'emploi et les consignes de sécurité énoncées dans cette notice d'utilisation.



INTRODUCTION

Suivez attentivement les instructions pour assembler correctement le motoculteur. Nous vous conseillons de lire complètement ce chapitre avant de commencer l'assemblage du motoculteur.

REMARQUE : Cette notice d'utilisation se rapporte à plusieurs modèles de motoculteur. Suivez seulement les instructions qui se rapportent à votre modèle de motoculteur. Les moteurs varient selon le modèle et votre moteur peut paraître différent des moteurs représentés dans cette notice d'utilisation.

OUTILS/EQUIPEMENT NECESSAIRES

- (1) une cale en bois (pour soutenir le motoculteur lors du démontage des roues)
- (1) un manomètre pour pneus (pour les modèles à pneus)
- (1) un entonnoir propre pour l'huile de l'huile à moteur. Consultez la notice d'utilisation du moteur quant à la qualité et la quantité d'huile recommandées.
- * Des clés ouvertes peuvent être utilisées.

ASSEMBLAGE

PREMIERE ETAPE : DEBALLAGE

REMARQUE : Faites attention de ne pas forcer les câbles de commande et de ne pas les plier.

1. Le motoculteur pèse 133 lb environ. N'essayez pas de le dégager de la plate-forme d'expédition avant d'en avoir reçu les instructions dans le chapitre *Assemblage*.

2. Enlevez tout matériau d'emballage de la caisse. Enlevez toute agrafe du fond de la caisse et dégagez la caisse de la plate-forme.

3. Sortez toutes les pièces détachées et le sachet de boulonnerie de la caisse. Vérifiez que toutes les pièces mentionnées sur la liste des *Pièces détachées* sont présentes. (Adressez-vous au concessionnaire local ou à l'usine si des pièces manquent ou sont endommagées).

Liste des pièces détachées

- | Qté | Description |
|---|--------------------------------------|
| 1 | Support du guidon (voir A, Fig. 2-2) |
| 1 | Guidon (voir K, Fig. 2-2) |
| <i>Contenu du sachet de boulonnerie</i> | |
| 4 | Vis à tête hex., 5/16-18 x 1 1/2 po |
| 2 | Vis à tête hex., 3/8-16 x 3/4 po |
| 2 | Rondelle plate, 3/8 po |
| 4 | Rondelle-trein fendue, 5/16 po |
| 4 | Ecroû à six pans, 5/16 po – 18 |
| 2 | Contre-écrou à six pans, 3/8 po – 16 |

*Modèles 643B et 645A seulement

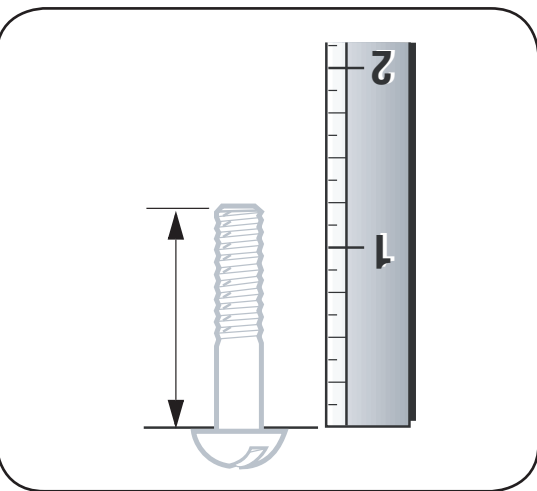


Figure 2-1 : Pour déterminer la longueur des vis, placez la vis sur le calibre de la façon indiquée et mesurez la distance entre la base de la tête de la vis et l'extrémité de la vis.

1. Attachez, sans les serrer, les pattes du support du guidon (A, Fig. 2-2) sur les côtés intérieurs du cadre du motoculteur avec deux vis à tête hex. de 3/8 po – 16 x 3/4 po (B), deux rondelles plates de 3/8 po et deux contre-écrous à six pans de 3/8 po – 16.

DEUXIEME ETAPE : INSTALLATION DU GUIDON

IMPORTANT : Il est nécessaire d'ajouter de l'huile à moteur dans le carter du moteur avant de faire démar- rer celui-ci. Suivez les instructions fournies dans ce chapitre et dans la notice d'utilisation du moteur.

REMARQUE : Ce no- tice plusieurs modèles de motoculteurs. Les modèles illustrés peuvent être légère- ment différents de votre machine. Suivez seule- ment les instructions qui s'appliquent à votre numéro de modèle.

IMPORTANT:

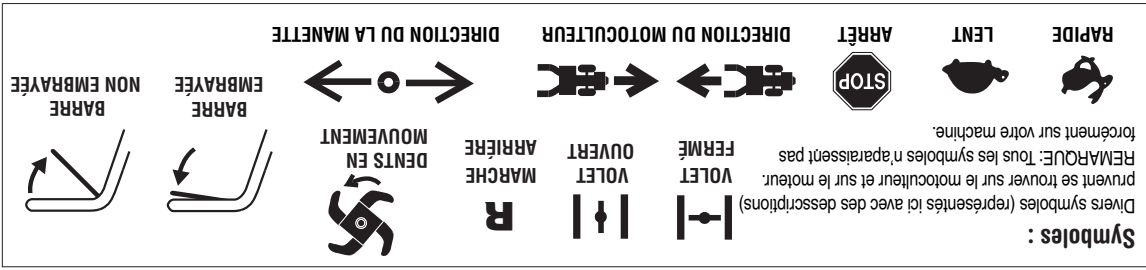
Ce motoculteur a été expédié SANS ESSENCE NI HUILE. Quand l'assemblage est terminé, consultez la notice d'utilisation du moteur quant au carburant et à l'huile à moteur recommandés.

Assemblage



REMARQUE:

Les côtés droit et gauche s'entendent de la position du conducteur, debout derrière le motoculteur.



21. Faites toujours preuve de bon sens dans des situations qui n'ont pas été abordées par cette notice d'utilisation. Adressez-vous au concessionnaire ou appelez pour obtenir de l'aide et le nom du concessionnaire le plus proche de chez vous.
- Entretien et Remisage**
1. Ne modifiez jamais les dispositifs de sécurité. Vérifiez souvent qu'ils fonctionnent bien.
2. Vérifiez que tous les écrous, boulons et vis sont bien serrés fréquemment et que la machine est en bon état de marche. En outre, inspectez visuellement la machine pour déceler les dommages.
3. Avant de nettoyer, de réparer ou d'examiner la machine, vérifiez que les dents et toutes les pièces mobiles se sont immobilisées. Débranchez le fil de la bougie et mettez-le à la terre contre le moteur pour empêcher tout démarrage accidentel.
4. Ne modifiez pas le réglage du régulateur et ne laissez pas le moteur s'emballer. Le régulateur maintient le moteur à son régime maximal de fonctionnement sans danger.
5. Prenez soin des étiquettes d'instructions et remplacez-les au besoin.
6. Suivez cette notice d'utilisation pour le chargement sûr, le déchargement, le déplacement, et remisage de cette machine.
7. Ne remisez jamais la machine ou les bidons d'essence à l'intérieur s'il y a une flamme, une étincelle (chaleur à gaz, radiateur, sèche-linge, etc.)
8. Consultez toujours la notice d'utilisation quant aux instructions de remisage hors-saison.

7. Ne déplacez jamais rapidement la machine sur des surfaces dures ou glissantes.
8. Soyez prudent pour éviter de glisser ou de tomber. Regardez en bas et derrière vous et soyez prudent en reculant ou en tirant la machine vers vous.
9. Mettez en marche la machine selon les instructions qui ce trouve dans ce notice et éloignez vos pieds des dents à tout moment.
10. Si vous heurtez un objet, arrêtez le moteur, débranchez le fil de la bougie et mettez-le à la masse contre le moteur. Vérifiez que la machine n'est pas endommagée. Réparez tout dégât éventuel avant de remettre en marche.
11. Débrayez toutes les commandes (le cas échéant) et arrêtez le moteur avant de quitter le poste de conduite (derrière les guidons). Attendez que les dents se soit complètement immobilisées avant de déboucher les dents, de faire un ajustement quelconque ou d'examiner la machine.
12. Ne faites jamais fonctionner la machine dans un local clos car les gaz d'échappement du moteur contiennent du monoxyde de carbone, un gaz inodore très dangereux.
13. Le silencieux et le moteur deviennent très chauds et peuvent causer des brûlures. Ne les touchez pas.
14. Faites attention en travaillant près de clôtures, de bâtiments ou de câbles souterrains. Les dents rotatives peuvent causer des dégâts et des blessures.
15. Ne fatiguez pas la machine en essayant de travailler le sol trop profondément ou trop rapidement.
16. Si la machine commence à vibrer ou à faire un bruit anormal, arrêtez le moteur, débranchez le fil de la bougie et mettez-le à la masse contre le moteur. Vérifiez que la machine n'est pas endommagée. Réparez tout dégât éventuel avant de remettre en marche.
17. Ne faites jamais fonctionner le motoculteur si les plaques protectrices, carters et autres pièces de sécurité ne sont pas à leur place.
18. Ne levez ou portez jamais la machine tandis que le moteur tourne.
19. N'utilisez que des accessoires et équipements annexes recommandés par le fabricant. Le non-respect de ces conseils risque de causer des blessures.

Consignes de sécurité



AVERTISSEMENT

Ce symbole attire votre attention sur des consignes de sécurité importantes qui, si elles ne sont pas respectées, peuvent mettre en danger non seulement votre personne et vos biens, mais aussi ceux d'autrui. Prière de lire toutes les instructions figurant dans cette notice d'utilisation avant d'essayer de vous servir de cette machine. Le non-respect de ces instructions peut entraîner des blessures corporelles.

RESPECTEZ L'AVERTISSEMENT CE SYMBOLE!

Votre responsabilité

Cette machine ne doit être utilisée que par des personnes qui peuvent lire, comprendre et respecter les avertissements et instructions qui figurent dans cette notice et sur la machine.

DANGER: Ce machine doit être utilisée conformément aux consignes de sécurité énoncées dans cette notice. Comme avec tout autre équipement motorisé, le manque d'attention ou une erreur de l'utilisateur peut causer des blessures graves. Ce machine peut amputer pieds ou mains. Le non-respect de ces consignes peut être à l'origine de blessures graves ou même fatales.



Utilisation en général

- Assurez-vous de lire et de bien comprendre toutes les instructions qui figurent sur la machine et dans la notice d'utilisation avant de l'assembler et de la mettre en marche. Conservez cette notice d'utilisation à un endroit sûr pour toute consultation ultérieure et pour commander des pièces de rechange.
 - Familiarisez-vous avec les commandes et leur fonctionnement avant de vous en servir. Sachez comment arrêter la machine et débrayer les commandes rapidement.
 - Ne permettez jamais à des enfants de moins de 14 ans de se servir de la machine. Des enfants plus âgés doivent lire et comprendre le mode d'emploi de la machine et les consignes de sécurité. Un adulte doit leur apprendre à se servir de cette machine et les surveiller.
 - Seuls des adultes responsables connaissant bien le fonctionnement de la machine doivent être autorisés à s'en servir.
 - Gardez les spectateurs, les animaux de compagnie et les enfants à une distance d'au moins 75 pieds de la machine quand elle est en marche. Arrêtez la machine si quelqu'un s'approche.
- ## Préparation
- Examinez soigneusement la zone de travail. Ramassez tous les pierres, planches, fils métalliques et autres objets qui pourraient vous trébucher et causer des blessures.
 - Portez des chaussures robustes à semelle épaisse et des vêtements bien ajustés. Ne portez jamais des vêtements lâches ni des bijoux qui risquent de se prendre dans les pièces en mouvement. N'utilisez jamais la machine pieds nus ou en portant des sandales.
 - Débrayez la barre d'embrayage et décalez (le cas échéant) la manette au point mort ("N") avant de mettre en marche le moteur.
 - Ne laissez jamais la machine sans surveillance quand le moteur tourne.
 - N'essayez jamais d'effectuer un réglage quelconque pendant que le moteur tourne, sauf en cas d'instructions spéciales dans la notice d'utilisation.
 - Faites très attention en manipulant de l'essence. Il s'agit d'un produit extrêmement inflammable et les vapeurs risquent d'exploser. Vous pouvez être grièvement blessé si des éclaboussures sur votre peau ou

Fonctionnement

- Ne placez jamais vos mains ou vos pieds près des pièces en mouvement. Le contacte avec des pièces en mouvement peuvent amputer mains et pieds.
 - Ne vous servez pas de la machine après avoir bu des boissons alcoolisées ou pris de médicaments.
 - Travaillez en plein jour ou avec un éclairage artificiel satisfaisant. Gardez toujours un bon équilibre et tenez fermement les guidons.
 - Gardez les spectateurs, les animaux de compagnie et les enfants à une distance d'au moins 75 pieds de la machine quand elle est en marche. Arrêtez la machine si quelqu'un s'approche.
 - Faites attention en travaillant en terre dure. Les dents peuvent saisir sur le sol et propulser la motoculteur en avant. Si ceci se produit, laissez vont des barres de poignée et ne retiennez pas la machine.
 - Soyez extrêmement prudent à proximité des routes, allées ou chemins en gravier. Faites attention aux dangers non évidents et à la circulation. Ne transportez pas de passagers.
- sur vos vêtements s'enflammaient. Rincez votre peau et changez immédiatement de vêtements.
 - Remisez le carburant dans des bidons homologués seulement.
 - Eteignez toute cigarette ou pipe, tout cigare ou toute autre chaleur incandescente.
 - Ne faites jamais le plein à l'intérieur.
 - N'enlevez jamais le capuchon d'essence et n'ajoutez pas d'essence pendant que le moteur tourne ou s'il est chaud.
 - Laissez le moteur refroidir pendant au moins deux minutes avant de faire le plein.
 - Ne faites jamais déborder le réservoir. Laissez un espace d'un demi-pouce environ pour permettre l'expansion du carburant.
 - Resserrez bien le capuchon d'essence.
 - En cas de débordement, essayez toute éclaboussure sur le moteur et la machine. Déplacez la machine et attendez 5 minutes avant de la remettre en marche.
 - Ne remisez jamais la machine ou les bidons d'essence à l'intérieur s'il y a une flamme, une étincelle (chautte-eau à gaz, radiateur, sèche-linge, etc.)
 - Laissez la machine refroidir pendant au moins 5 minutes avant de la remettre.

Consignes de sécurité



AVERTISSEMENT



Ce symbole attire votre attention sur des consignes de sécurité importantes qui, si elles ne sont pas respectées, peuvent mettre en danger non seulement votre personne et vos biens, mais aussi ceux d'autrui. Prière de lire toutes les instructions figurant dans cette notice d'utilisation avant d'essayer de vous servir de cette machine. Le non-respect de ces instructions peut entraîner des blessures corporelles.

RESPECTEZ

L'AVERTISSEMENT CE SYMBOLE!


Votre responsabilité

Cette machine ne doit être utilisée que par des personnes qui peuvent lire, comprendre et respecter les avertissements et instructions qui figurent dans cette notice et sur la machine.

- Si l'assemblage de cette machine vous pose des problèmes ou pour toute question concernant les commandes, le fonctionnement ou l'entretien de la machine, les spécialistes sont à votre disposition. Choisissez l'une des options ci-dessous:
1. Visitez le site www.troybilt.ca où vous trouverez de nombreuses suggestions utiles. Cliquez sur le bouton Service après-vente.
 2. Appelez un agent du service après-vente au **1-800-668-1238**.
 3. Le fabricant du moteur est responsable de toutes les questions concernant les performances, la puissance indiquée, les caractéristiques techniques, la garantie et le service après-vente du moteur. Pour plus de renseignements à ce sujet, veuillez consulter la notice d'utilisation du moteur fournie avec votre machine.
- Préparez vos numéros de modèle et de série avant de téléphoner. Veuillez lire le chapitre précédent pour déterminer l'emplacement de ces numéros. On vous demandera d'enregistrer le numéro de série avant de pouvoir poursuivre votre consultation.

Service après-vente

Veillez retourner la machine au détaillant qui vous l'a vendue, sans vous adresser d'abord au service après-vente.

 TROY-BILT - CANADA KITCHENER, ON N2G 4J1	
Model Number	XXX-XXXXXX
Numéro de modèle	XXX-XXXXXX
Serial Number	XXXXXXXXXXXX
Numéro de série	XXXXXXXXXXXX

AVANT DE PROCÉDER À L'ASSEMBLAGE DE VOTRE NOUVEL ÉQUIPEMENT, localiser la plaque signalétique sur l'équipement, et recopier le numéro de modèle et le numéro de série sur le modèle de plaque signalétique fourni sur la droite. Pour localiser la plaque signalétique, placez-vous derrière la machine à la poste de conduite et regardez à l'arrière de la machine.

Pour trouver le numéro de modèle

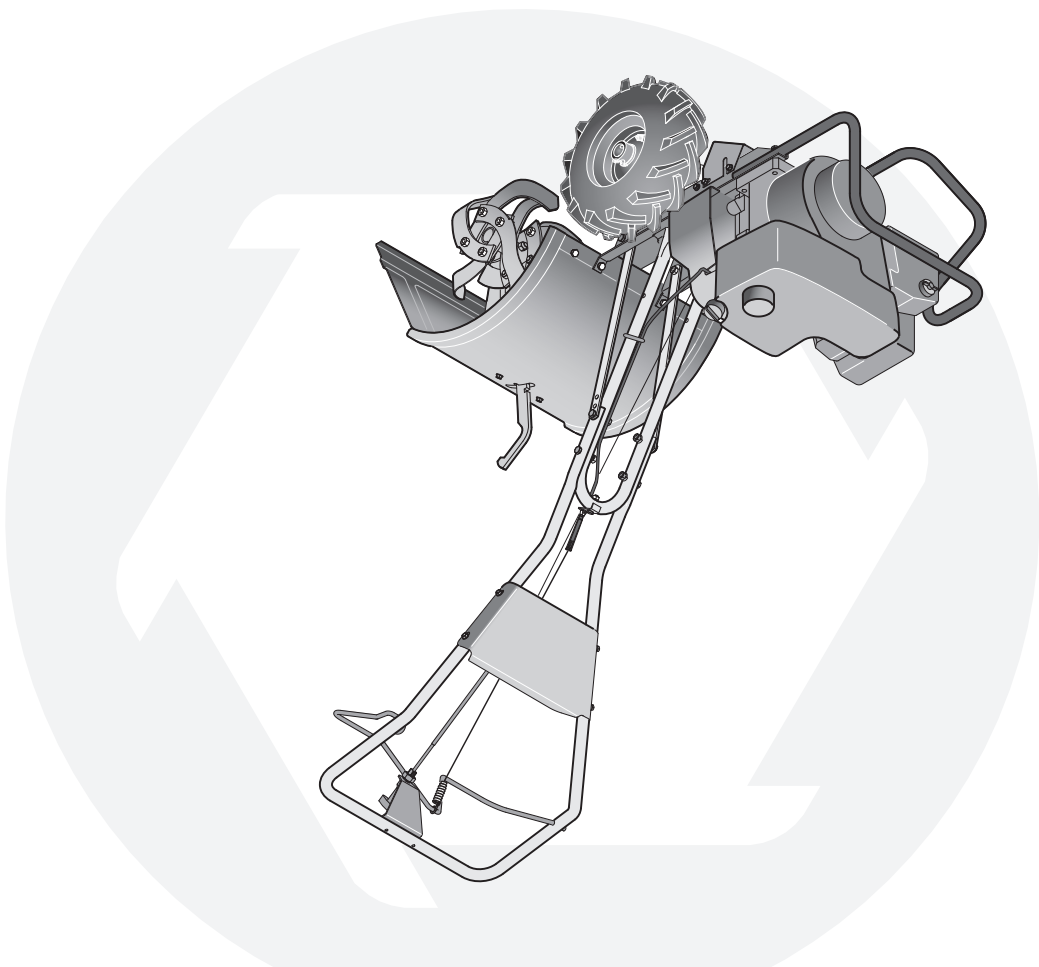
Consignes de sécurité	3
Assemblage	5
Caractéristiques et commandes	9
Utilisation	12
Entretien et Remisage hors saison	18
Dépannage	24
Garantie	25
Pièces détachées (voir la page 24 de la version anglaise de cette notice d'utilisation)	

Table des matières

Cette notice d'utilisation est une pièce importante de votre nouvel équipement. Elle vous fournit les renseignements nécessaires à l'assemblage, à la préparation et à l'entretien de votre machine. Veuillez donc la lire attentivement et vous assurer de bien comprendre toutes les instructions.

IMPORTANT:
LISEZ ATTENTIVEMENT LES RÈGLES DE SÉCURITÉ ET LES
INSTRUCTIONS AVANT DE METTRE EN MARCHÉ LA MACHINE.

Motoculteurs à dents à l'arrière — Modèle 643B, 643C et 645A



TROY-BILT®

NOTICE D'UTILISATION

Sécurité * Assemblage * Caractéristiques et Commandes * Fonctionnement * Entretien
Dépannage * Listes des pièces détachées * Garantie

Free Manuals Download Website

<http://myh66.com>

<http://usermanuals.us>

<http://www.somanuals.com>

<http://www.4manuals.cc>

<http://www.manual-lib.com>

<http://www.404manual.com>

<http://www.luxmanual.com>

<http://aubethermostatmanual.com>

Golf course search by state

<http://golfingnear.com>

Email search by domain

<http://emailbydomain.com>

Auto manuals search

<http://auto.somanuals.com>

TV manuals search

<http://tv.somanuals.com>