

# OWNER'S GUIDE

Model No. 110-260

10 CENTS

## ROTARY MOWER

### WARRANTY

For one year from date of purchase, MTD Products, Inc., will replace for the original purchaser, free of charge, F.O.B. factory or authorized service firm, any part or parts found to be defective in material or workmanship. All transportation charges on parts submitted for replacement under this warranty must be paid by the purchaser. This warranty does not include replacement of parts which become inoperative through misuse, excessive use, accident, neglect, improper maintenance or alterations by unauthorized persons. This warranty does not include the engine, motor, battery, battery charger or any component parts thereof. For service on these units refer to the applicable manufacturer's warranty.

The above warranty will apply only to the original owner and will be effective only if the warranty card has been properly processed. It will not apply where the unit has been used commercially.

Warranty service is available through your local authorized service dealer or distributor. UNDER NO CIRCUMSTANCES WILL THE RETURN OF A COMPLETE UNIT BE ACCEPTED BY THE FACTORY UNLESS PRIOR WRITTEN PERMISSION HAS BEEN EXTENDED.

### SAFETY RULES

Your rotary mower is a precision piece of power equipment, not a plaything. Therefore exercise extreme caution at all times.

1. Remove all sticks, stones, wire and other hazardous items from lawn before mowing. Such items are dangerous to both the mower and individuals in the vicinity of the mower.
2. Always disconnect spark plug cable during repairs or refueling operations.
3. Always start engine from side opposite discharge chute.
4. NEVER place hands or feet under mower or near discharge chute while engine is running.
5. Do not tilt mower at extreme angle while engine is running. Cut grass on hills and banks sideways, not up and down.
6. Always stop engine when not cutting grass.
7. Do not fill gas tank while engine is running. Do not spill gasoline on hot engine.
8. Keep children and pets away from area at all times during mowing operation. Never allow mower to discharge grass toward any person.
9. Do not attempt to start engine while mower is resting in high grass.
10. Check all nuts and bolts, particularly the blade bolts, for tightness. This is especially important during the initial operation period. Make this same check periodically thereafter.

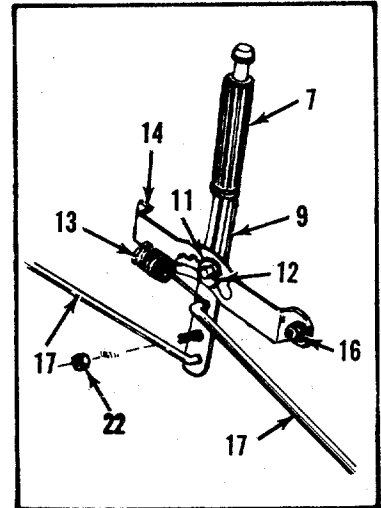
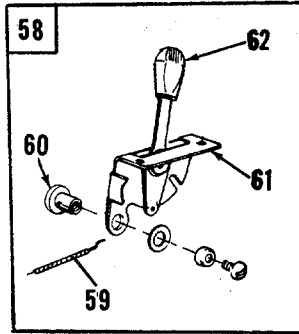
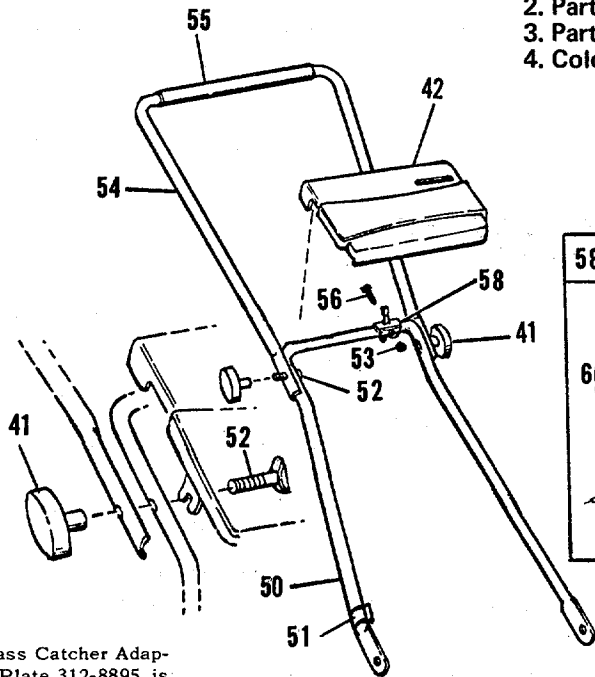
NOTE: Should excessive vibration develop, check your blade and crankshaft immediately. Do not operate mower with an unbalanced blade, a damaged blade or a damaged crankshaft.

# 110-260

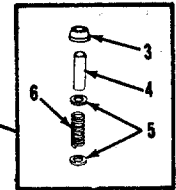
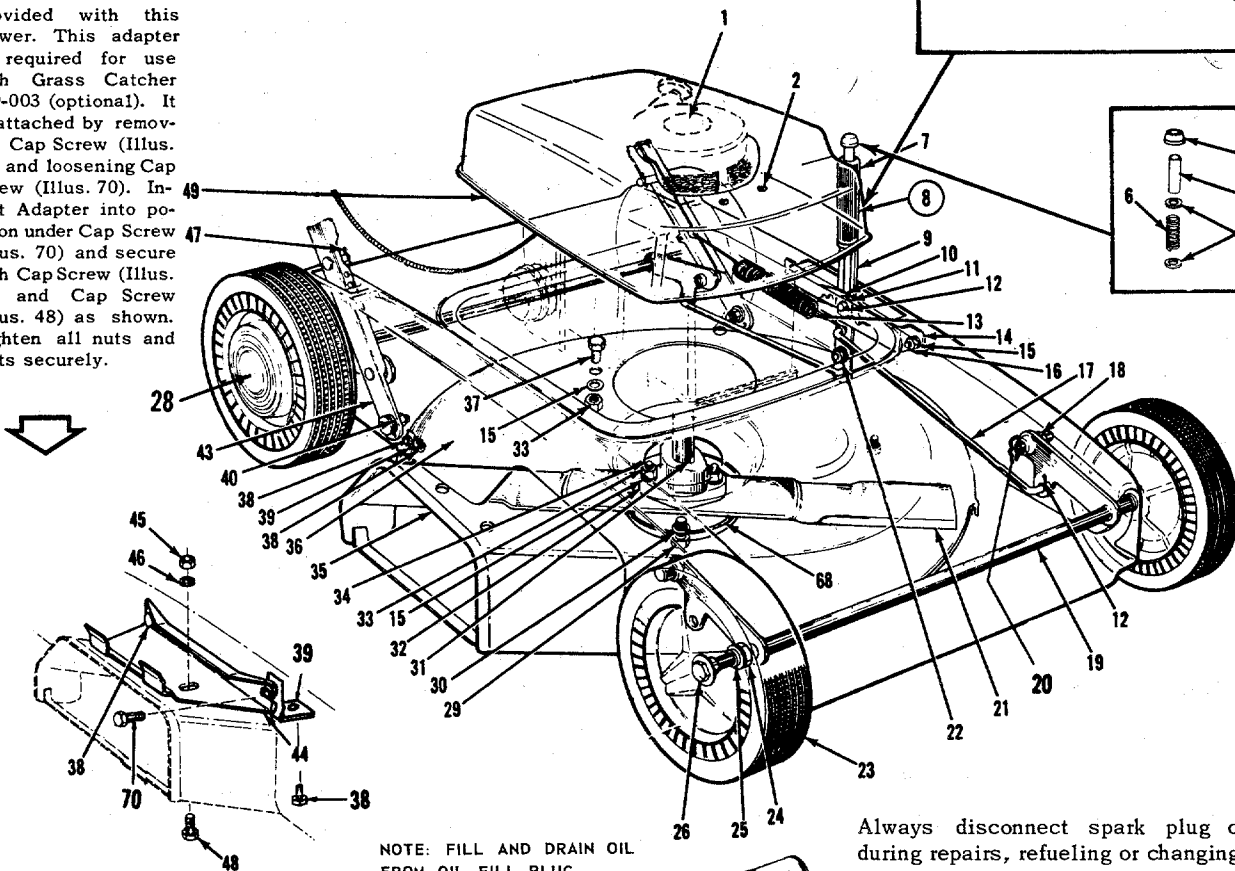
When ordering parts give the following information:

1. Model number
2. Part number
3. Part name
4. Color of part

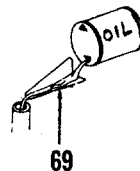
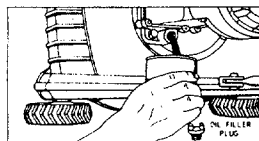
When ordering replacement parts, be sure to specify your mower model number, part number, description of part, and the number of parts required . . . Parts and service should be handled by your nearest authorized service firm as recommended by your dealer. Request for parts and service received at the factory will be forwarded to the appropriate Central Service Distributor in your area for handling.



Grass Catcher Adapter Plate 312-8895 is provided with this mower. This adapter is required for use with Grass Catcher 199-003 (optional). It is attached by removing Cap Screw (Illus. 38) and loosening Cap Screw (Illus. 70). Insert Adapter into position under Cap Screw (Illus. 70) and secure with Cap Screw (Illus. 38) and Cap Screw (Illus. 48) as shown. Tighten all nuts and bolts securely.



NOTE: FILL AND DRAIN OIL FROM OIL FILL PLUG.



Always disconnect spark plug cable during repairs, refueling or changing oil. Engine oil may be drained through oil filter opening by tilting the mower on its side. Change oil after first 5 hours of operation while engine is warm. Thereafter, change oil every 25 hours of operation while engine is warm.

## PARTS LIST FOR MOWER MODEL NO. 110-260

Illus. No.	Part No.	DESCRIPTION	Illus. No.	Part No.	DESCRIPTION
1	—	Engine	34	710-117	Hex Head Cap Screw 5/16-24 x 1 1/8"lg.(Heat Treated)
2	710-407	Slotted Hex Washer Hd Ex Scw 8-32 x 1/2 lg.	35	395-8483	Lower Deck Assembly
3	726-109	Push Cap. 312 Dia. §	36	395-8481	Upper Deck Assembly
4	310-8734	Tubing Height Adjustment	37	710-158	Hex HD Cap Scw. 5/16-24 x 1-1/4lg.*
5	736-107	Flat Washer §	38	710-290	Sems Hex Head Cap Screw 5/16-18 x 3/8 lg. *
6	732-152	Compression Spring §	39	712-183	Angle Bracket Special
7	305-8792	Grip-Height Adjustment §	40	736-155	Rubber Washer
8	310-8749	Height Adj. Grip Ass'y-(complete)	41	394-9966	Hand Knob
9	310-8730	Height Adj. Grip Bracket Ass'y §	42	395-9998	Handle Knob
10	711-223	Spacer Bushing	43	310-8795	Handle Extension Assembly
11	736-159	Flat Washer *	44	312-8895	Adapter-Grass Catcher Dbl. Deck
12	714-507	Cotter Pin 3/32 x 3/4 lg. *	45	712-287	Hex Nut 1/4-20 thd. *
13	732-153	Spring	46	736-329	Spring Lockwasher for 1/4 Screw*
14	395-8735	Height Adjustment Bracket	47	714-104	Int. Hair Pin Cotter*
15	736-119	Spring Lockwasher for 5/16 scw.	48	710-286	Truss Head Mach. Screw 1/4-20 x 1/2 lg. *
16	712-267	Hex Nut 5/16-18 thd.	49	394-9962	Engine Shroud
17	310-8743	Rod Height Adjustment	50	310-10008	Handle-Lower
18	711-225	Clevis Pin	51	746-145	Cable Clip
19	395-8956	Height Adj. Ass'y-Front & Rear	52	710-405	Curved Hd. Scr. 5/16-18 x 1-3/4lg.
20	714-115	Cotter Pin *	53	712-107	Centerlock Nut 1/4-20
21	312-8125	Blade - 21"	54	310-10011	Handle - Upper
22	712-372	Hex Centerlock Nut 5/16-18 thd.	55	718-138	Handle Grip
23	501-9383	Wheel Assembly	56	710-606	Hex Hd. Cap Scw. 1/4-20 x 1/2 lg.*
24	736-105	Belleville	58	310-10033	Control Throttle (complete)
25	741-114	Ball Bearing	59	732-139	Conduit and Wire †
26	738-213	Axle Bolt	60	901-7627	Ferrule Assembly †
28	305-9871	Hub Cap	61	310-9848	Control Bracket Ass'y - Throttle†
29	710-113	Hex Head Cap Screw 3/8-24 x 1-5/8 lg.(Heat Treated)	62	305-7470	Knob †
30	736-169	Spring Lockwasher for 3/8 screw *	68	312-7919	Anti Scalp Plate
31	714-365	Key - Hi-Pro No. 505*	69	312-7299	Oil Fill Trough
32	748-100	Blade Adapter	70	710-259	Hex Hd Cap Scw 5/16-18 x 5/8 lg. *
33	712-123	Hex Nut 5/16-24 thd.			

\* For faster service, obtain standard nuts, bolts, and washers locally! If these items cannot be obtained locally, order by part number and size as shown on the parts list.

† Part of Throttle Control (complete) 310-10033    § Part of Height Adjustment Grip Ass'y - (complete) 310-8749.

**NOTE:** A brief break in period is essential to insure maximum engine life. This consists of running the engine at half speed for a period of time required to use one tank of gasoline. This is necessary on the initial run only. It is also recommended that the oil be changed after five (5) hours of operation. This allows for the removal of impurities which may have accumulated during the break in period. Subsequent oil changes should be made as stated in the engine manual. Always check oil before using your mower. Be sure crankcase is full.

### CUTTING HEIGHT ADJUSTMENT

This mower can be adjusted for seven cutting heights from 1 1/4" to 3". To change height depress the push cap on the height adjustment lever and move it forward to lower the cutting height and move to the rear to raise the cutting height. The one lever adjusts all four wheels at the same time.

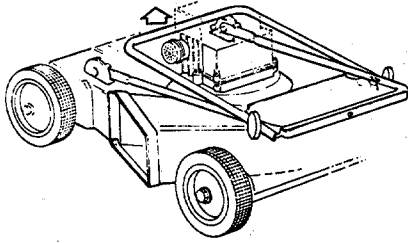


**NOTE:** This instruction manual covers various models and all accessories shown do not necessarily apply to your model mower.

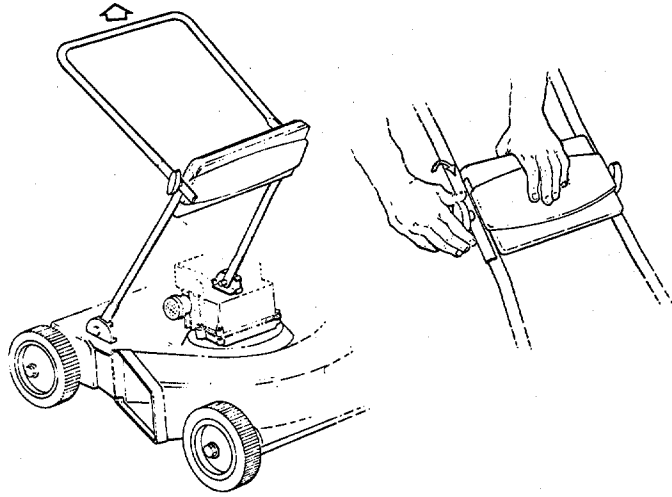
MTD PRODUCTS INC extends its warranty only on the mower. If repairs or service is needed on the engine, please contact your nearest authorized engine service outlet. Check the "Yellow Pages" of your telephone book under "Engines - Gasoline".



## ASSEMBLY INSTRUCTIONS



**NOTE:** Before operating your mower, check all nuts and bolts for proper tightness. Be sure to check the Blade Bolt!



### STARTING ENGINE

With the throttle control lever conveniently mounted on the handle, starting, fast, slow and stopping of engine is conveniently controlled with one lever. After the engine has been properly fueled and oiled (Refer to engine operating and maintenance instructions.) start engine in the following manner:

1. Move throttle control lever to "start" position.
2. Operate a new engine at intermediate speeds and light load for the first few hours as you would a new automotive engine.
3. To stop engine, move speed control lever to stop position.
4. If carburetor needs adjustment to start or for operation, see "Carburetor Readjustment" section in engine manual

### CUTTING

For best lawn results in most areas, grass should not be cut below two inches (medium wheel position), as cutting the grass blades short tends to retard its growth.

It is important that when sharpening the cutting edges of the blade you grind equal amounts from each cutting surface to preserve the blade balance. An unbalanced blade will vibrate. Never operate the mower with a bent or unbalanced blade, as it will cause damage to the mower and engine. A sharp blade insures best cutting results and minimum engine wear. Never install or remove blade with engine spark plug wire attached.

### MAINTENANCE

**CUTTING BLADE** - The blade may easily be removed for grinding or replacement as follows:

1. Remove bolt and lock washer holding blade and hub assembly to engine crankshaft.
2. Remove blade and hub assembly from engine crankshaft.
3. Remove two bolts, lock washers and nuts holding blade to blade hub.

**DECK** - The underside of mower deck should be cleaned after each period of use as grass clippings, leaves, dirt and other matter will accumulate. This accumulation of grass clippings, etc. is undesirable as it will invite corrosion and may cause an uneven discharge of grass clippings at the next cutting.

The deck may be cleaned by tilting the mower forward or on its right side and scraping clean with a suitable tool or by washing with a stream of water from a garden hose.

**CAUTION:** Do not direct the stream of water at a hot engine as damage to the engine may result.

### BLADE CARE AND ASSEMBLY

It should be remembered, the cutting blade of a rotary mower has a direct relation with the satisfactory performances of both the mower and the engine. Excessive wear or nicks on one end of the blade will cause the blade to be out of balance. This can usually be detected by excessive engine vibration. Should the mower be operated in this condition for any length of time serious damage to the engine may be the result. Periodic checks should be made for blade sharpness and balance. A quick reasonable check can be made by simply suspending the blade on a nail, using the center hole as a pivot point. Grind or file small amounts from the heavy end until the blade remains horizontal on the nail.

A loose blade or blade adapter will also cause vibration, therefore, periodic checks should also be made to be sure all nuts and bolts of the blade assembly are tightened sufficiently. Always be sure that the hex bolts holding blade are tight enough that the spring washers are compressed completely.

### LUBRICATE

**IMPORTANT:** Always stop engine and disconnect spark plug wire before cleaning, lubricating or doing any kind of work on the lawn mower.

1. Wheel bearings are ball bearing. They require lubrication periodically with light oil (S.A.E. No. 10 or 20).
2. **THROTTLE** - Periodically lubricate throttle control lever and throttle assembly with a few drops of light oil (S.A.E. No. 10 or 20) for ease of operation.
3. **ENGINE** - Follow engine manual for lubrication instructions.
4. **HEIGHT ADJUSTMENT** - Lubricate all moving parts frequently.

### WINTER STORAGE

All grass and dirt should be removed from top surface and bottom of mower base.

Place wooden blocks under wheels to prevent winter-long contact with moisture, grease and oil that might be present on the floor. Give all unpainted metal parts, including cutting edge of blade, a light coating of oil.

## Free Manuals Download Website

<http://myh66.com>

<http://usermanuals.us>

<http://www.somanuals.com>

<http://www.4manuals.cc>

<http://www.manual-lib.com>

<http://www.404manual.com>

<http://www.luxmanual.com>

<http://aubethermostatmanual.com>

Golf course search by state

<http://golfingnear.com>

Email search by domain

<http://emailbydomain.com>

Auto manuals search

<http://auto.somanuals.com>

TV manuals search

<http://tv.somanuals.com>