

# ENDLESS SUMMER



U.S. Patent Number: D455,204;  
All Other Foreign Patents May  
Apply.

Les ETATS-UNIS Font breveter  
Le Nombre :D455,204 ; Tous  
Autres Brevets Étrangers  
Peuvent S'appliquer.



## Owners Manual Manuel d'utilisation

Model No. / Modèle N°  
**92000**



### **WARNING**

**FOR YOUR SAFETY**

**For Outdoor Use Only  
(Outside any enclosure)**



### **AVERTISSEMENT**

**POUR VOTRE SÉCURITÉ:**

**À utiliser uniquement à  
l'extérieur  
(hors de tout espace clos)**



### **AVERTISSEMENT**

**POUR VOTRE SÉCURITÉ:**

**Tout mauvais réglage ainsi que  
toute installation, modification,  
ou maintenance incorrecte  
risque de provoquer des  
blessures ou des dégâts  
matériels. Lire complètement  
les instructions concernant  
l'installation, le fonctionnement  
et l'entretien avant d'installer ou  
de procéder à la maintenance de  
cet appareil.**



### **WARNING**

**FOR YOUR SAFETY**

**Improper installation,  
adjustment, alteration,  
service or maintenance  
can cause injury or property  
damage. Read the installation,  
operation and maintenance  
instructions thoroughly before  
installing or servicing this  
equipment.**



## **WARNING**

### **FOR YOUR SAFETY**

*If you smell gas -*

- 1. Shut off gas to appliance.*
- 2. Extinguish any open flame.*
- 3. If odor continues, contact your gas supplies or fire department*



## **WARNING**

*California Proposition 65:*

*Chemicals known to the state of California to cause cancer, birth defects, or other reproductive harm are created by the combustion of propane.*



## **WARNING**

### **FOR YOUR SAFETY**

- 1. Gas leaks may cause a fire or explosion which can cause serious bodily injury or death, or damage to property.*
- 2. You must follow all leak checking procedures as outlined in step 6 before operating this unit.*
- 3. Never use an open flame to check for leaks.*



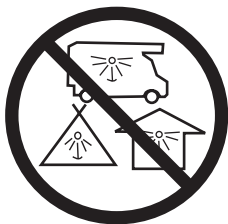
## **WARNING**

### **FOR YOUR SAFETY**

*Do not store or use gasoline or other flammable vapors or liquids in the vicinity of this or any other appliance.*



## **DANGER**



### **CARBON MONOXIDE HAZARD**

- This appliance can produce carbon monoxide which has no odor.*
- Using it in an enclosed space can kill you.*
- Never use this appliance in an enclosed space such as a camper, tent, car or home.*

**Contact 1-800-762-1142 for assistance.  
Do not return to place of purchase.**

**Table of Contents**

Safety First! ..... 3

Assembly Instructions

    Hardware & Component Listing ..... 5

    General Components & Features ..... 6

    Additional Requirements ..... 6

    Step 1 Attach Emitter Screen ..... 6

    Step 2 Attach Top Wire Guard ..... 7

    Step 3 Attach Dome to Emitter ..... 7

    Step 4 Attach Dome Cap ..... 7

    Step 5 Gas Hook Up ..... 8

    Step 6 Check for Leaks ..... 9

    Step 7 Install Access Panel ..... 9

    Step 8 Securing Tank ..... 10

Operation

    Before Turning Gas Supply ON ..... 11

    Before Lighting ..... 11

    Lighting ..... 11

    Re-Lighting ..... 12

    Shutdown ..... 12

Operation Checklist ..... 13

Troubleshooting ..... 14

Maintenance ..... 15

Storage ..... 16

Service ..... 16

Warranty ..... 17

Specifications ..... 18



The use and installation of this product must conform to local codes. In absence of local codes, use the National Fuel and Gas Code, ANSI Z223.1/ NFPA 54, Storage and Handling of Liquefied Petroleum Gases, ANSI/NFPA 58 or CSA B149.1, Natural Gas and Propane Installation Code.

Save these instructions for future reference. If you are assembling this unit for someone else, give this manual to him or her to save for future reference.



**Before you do anything else,  
read and understand all  
precautions in Safety First!**



## **WARNING FOR YOUR SAFETY**

- **Purchaser assumes all risk in the assembly and operation of this unit. Failure to follow this manual's warnings and instructions can result in severe personal injury, death or property damage.**
- **Combustion of propane creates carbon monoxide, which, when used in enclosed areas, can kill you.**
- **Dome is extremely hot to the touch during operation. Never touch the dome while the heater is operating. Wait for unit to cool down (approximately 45 minutes) after use.**
- **Do not use in an explosive atmosphere. Keep heater away from areas where flammable liquids, gasoline, vapors, or explosives are stored or used.**

## **Safety First!**

Read and become familiar with this entire manual, especially the following precautions.

If you are unsure of anything in these instructions, STOP and contact 1-800-762-1142 for assistance.

**Caution: This appliance is for outdoor use only (outside any enclosure). Always make sure there is fresh air ventilation.**

- Instructions to the effect that this appliance shall be used only outdoors in a well-ventilated space and shall not be used in a building, garage or any other enclosed area.
- Always maintain at least 36" clearance (top) and 24" clearance (side) from combustible materials.
- Always place heater on a hard and level surface.
- Do not use if the wind velocity is greater than 10 miles per hour.
- Unit will operate at reduced efficiency below 40°F (5°C).
- Keep sprinklers and other water sources away from burner and controls.
- **Always use extreme caution when near heater. Alert both children and adults to the hazards of high temperatures, especially to avoid burns or clothing catching fire.**
- **Young children and pets should be carefully supervised when they are in the area of heater.**
- **Do not hang clothing or other flammable materials either on or near heater.**
- **Any guard or other protective device removed for servicing the heater must be replaced prior to operating the heater.**
- Certain materials or items, when stored under heater, will be subjected to radiant heat and could be seriously damaged.
- Do not alter heater in any manner.
- The pressure regulator and hose assembly supplied with the appliance must be used and replacements must be those specified by the manufacturer.
- Inspect heater before each use. If a damaged part is detected, do not operate until an original equipment replacement part has been properly installed. Use of unauthorized parts will void warranty and create an unsafe condition.
- Do not attempt to use this appliance without a functional factory-supplied gas regulator in place. If regulator becomes damaged, use only a factory-supplied replacement.
- Prior to operating heater, replace any guards or protective devices removed for servicing.
- During operation, do not touch burner assembly. The surface of heater's emitter can reach temperatures approaching 1600°F.
- After shutdown, do not touch burner assembly until heater has cooled (approximately 45 minutes after use).

**Notice:** This product should not be used with any fuel other than liquid propane. Use of other fuels will detract from heaters performance and will void your warranty.

**Contact 1-800-762-1142 for assistance.  
Do not return to place of purchase.**

**Endless Summer** 

**Caution: Liquid propane (LP) gas is flammable and hazardous if handled improperly. Become aware of the characteristics before using any LP product.**

- LP Characteristics – Flammable, explosive under pressure, heavier than air - settles in pools in low areas.
- In its natural state, propane has no odor. For your safety, an odorant is added that smells like rotten cabbage.
- Contact with LP can cause freeze burns to skin.
- This heater is shipped from the factory for LP gas use only.
- Use only Department of Transportation (DOT) approved “20 lb.” LP gas cylinders (same as those commonly used on gas grills) with Acme / Type 1 / QCC safety valves. These valves can be quickly identified because they have external and internal threads.
- Never use an LP cylinder with a damaged body, valve, collar, or footing.
- Dented or rusted LP cylinders may be hazardous and should be checked by your LP gas supplier.
- The cylinder supply system must be arranged for vapor withdrawal.
- The cylinder used must include a collar to protect the cylinder valve.
- When heater is not in use, turn LP cylinder OFF.
- Always perform a leak test on gas connections whenever a cylinder is connected. Never use a flame to test for leaks. Do not smoke while performing a leak test.

**Caution: It is essential to keep the heater’s valve compartment, burners, and circulating air passages clean.**

- Spiders and insects can create a dangerous condition that may damage heater or make it unsafe. Keep burner area clean of all spiders, webs, or insects.
- Inspect heater before each use.
- **Have heater inspected annually and repairs should be made by a qualified service person.**
- More frequent cleaning may be required as necessary. It is imperative that control compartment, burners and circulating air passageways of the heater be kept clean.
- Check heater immediately if any of the following conditions exist:
  - The smell of gas in conjunction with extreme yellow tipping of burner flames.
  - Heater does not reach proper temperature.

**Note:** At temperatures less than 40°F, heat output will be reduced.

- Heater’s glow is excessively uneven
- Burner makes popping noises during use.

**Note:** A slight pop is normal when burner is extinguished.

- Carbon deposits may create a fire hazard. Keep dome and emitter clean at all times.
- Do not clean heater with combustible or corrosive cleaners. Use warm, soapy water.
- Do not paint engine, engine access panel or dome.

**“20 lb.” LP Cylinder**



### **FOR YOUR SAFETY:**

#### **Beware of Spiders**

*Spiders or small insects can get into the burner tube or other openings of your heater, and spin webs or build nests. These obstructions can lead to gas flow problems. It is important to make frequent inspections of these areas and clean them when necessary.*

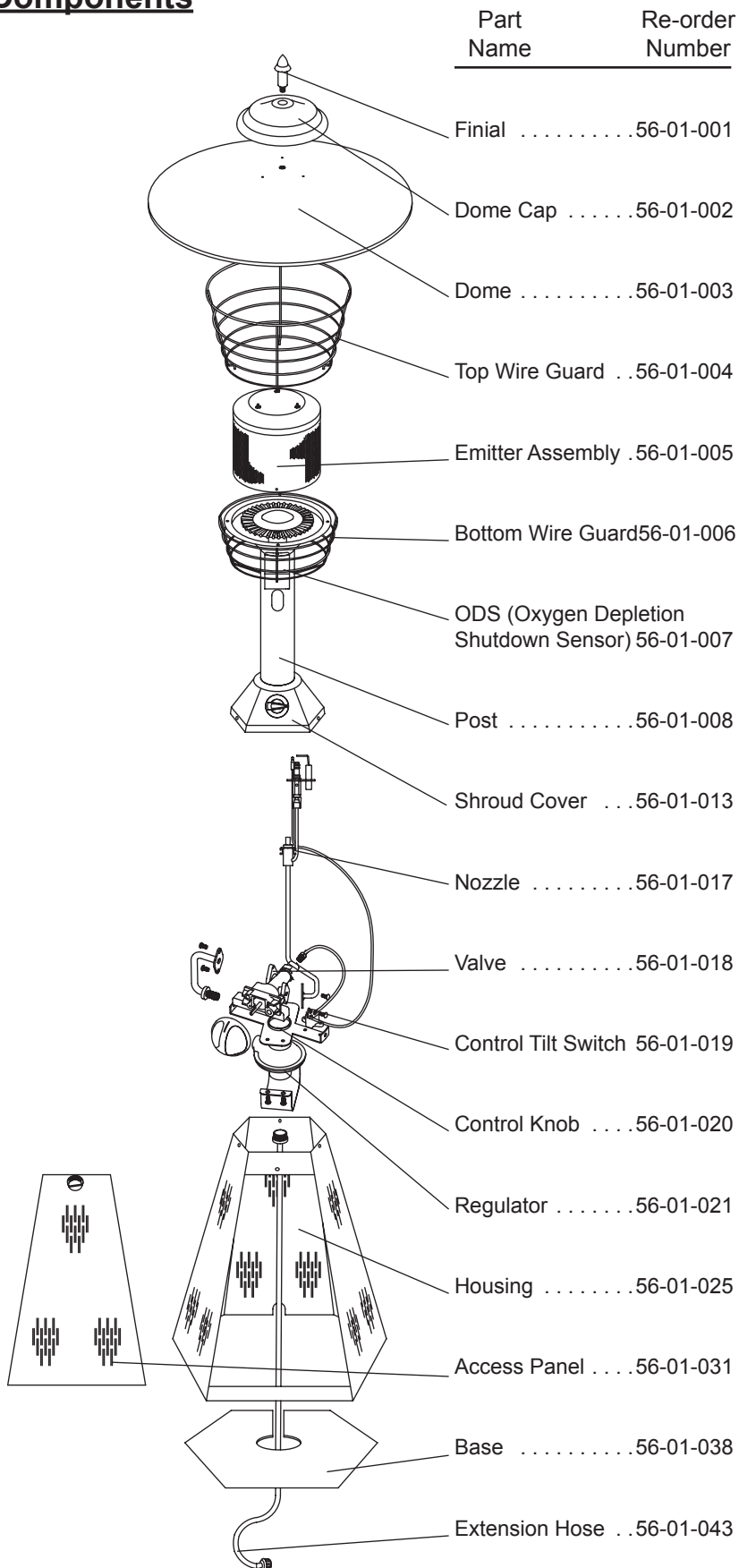
*Before operating your heater for the first time, be sure to check for obstructions that may have occurred during shipment.*

### **Need a cylinder or gas?**



Try Blue Rhino cylinder exchange service. It's easy, fast, safe, and available at tens of thousands of conveniently located retail outlets nationwide. You can purchase a new full cylinder or exchange your empty for a precision filled one.

For your nearest Blue Rhino retailer visit [www.bluerhino.com](http://www.bluerhino.com).

## Components



## Hardware

Picture	Qty	Description	Used in Step(s)
	4	Medium Screw 12-24 x 5/16" Stainless Steel Philips Head Screw 56-01-045	1
	3	Nut 1/4-20 Stainless Steel Hex Nut 56-01-046	3

**Contact 1-800-762-1142 for assistance.  
Do not return to place of purchase.**

**Endless Summer** 

## Assembly Instructions

### General Components & Features

Familiarize yourself with all components before proceeding. Refer to page 5 for hardware and components, and page 18 for specifications.

Do NOT attempt assembly unless all components are available. If you believe a component is missing or damaged, contact 1-800-762-1142 for assistance.

*Note:* All hardware is mounted on a cardboard pack and numbered to match their assembly step.

### Additional Requirements

The following items are not included, but are necessary for the proper assembly of your heater. Do NOT attempt to assemble without proper tools. A hex (Allen) wrench is necessary and is included in the parts bag.

- (1) - 7/16" Wrench
- (1) - #2 Phillips Head Screwdriver
- (1) - Leak Detection Solution (Instructions on how to make solution are included in Step 6)
- (1) - 20 lb.(4-5 gallon) precision filled LP Gas Grill Cylinder

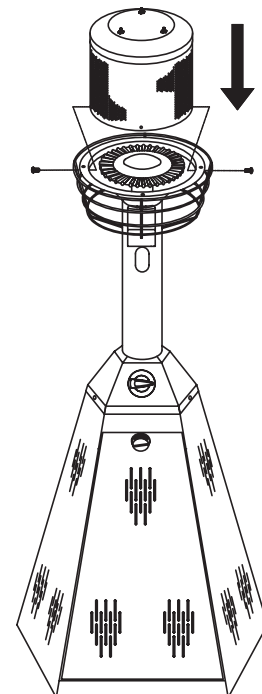
*Note:* You must follow all steps to properly assemble heater.

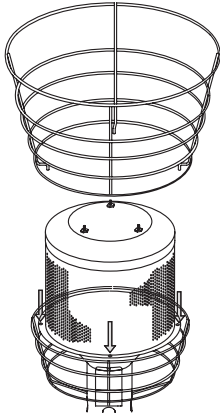
### Step 1 – Attach Emitter Screen

Line up 4 holes on bottom of Emitter Screen with corresponding holes in Emitter Bottom, and insert (4) Medium Screws in holes until tight.



Qty 4

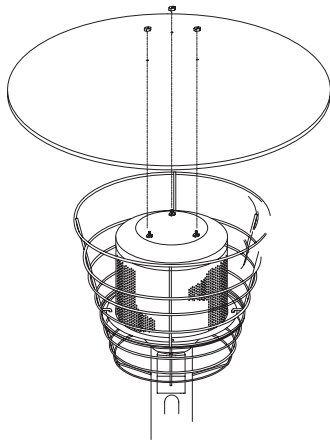




### **Step 2—Attach Top Wire Guard**

Line up 4 prongs on Wire Guard Bottom with 4 holes on Emitter Bottom, and Insert.

*Note:* It may be necessary to adjust the prongs slightly to line them up with the holes.



### **Step 3—Attach Dome to Emitter**

Line up three studs in Emitter with holes in Dome. Slide Dome carefully over studs, clamping Top Wire Guard securely in place.

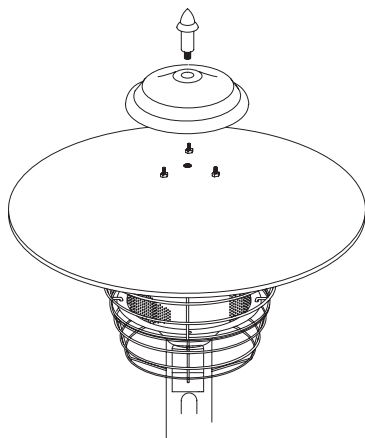
*Note:* It may be necessary to adjust prongs of the Top Wire Guard slightly to provide a secure fit.

Install (3) Nuts on studs and tighten with 7/16" wrench.

Do not over tighten.



Qty 3



### **Step 4—Attach Dome Cap**

Lay Dome Cap on dome covering 3 Nuts and line up center holes.

Insert threaded end of Finial through cap and screw into center of dome until secure.



**Contact 1-800-762-1142 for assistance.  
Do not return to place of purchase.**

**Endless Summer** 

### **Step 5 – Gas Hook-up**

*Note:* For best results, use heater with a 20 lb. cylinder.

The pressure regulator and hose assembly supplied with the appliance must be used and replacements must be those specified by the manufacturer.

#### **To connect 20 lb. Cylinder**

Slip end of flexible gas line with brass fitting through center hole of Base and up to threaded portion of regulator.

Line up threads on fitting with those on regulator and rotate clockwise until snug. **HAND TIGHTEN ONLY. DO NOT USE ANY HAND TOOLS TO MAKE THIS CONNECTION.** Be careful not to cross threads when screwing in FITTING.

*Note:* if heater uses center clamp, hose can be routed through opening in base and table.

Set heater on base, making sure that flexible gas line is routed through small slot in base.

Attach gas line to cylinder by turning black plastic knob counter clockwise into cylinder valve until tight.

*Note:* Be careful not to kink flexible gas line.

When using the gas extension hose always locate the hose out of pathways where people may trip over it or in areas where the hose may be subject to accidental damage.

#### **To connect 14.1 oz or 16.4 oz cylinder**

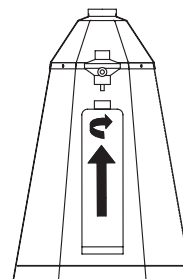
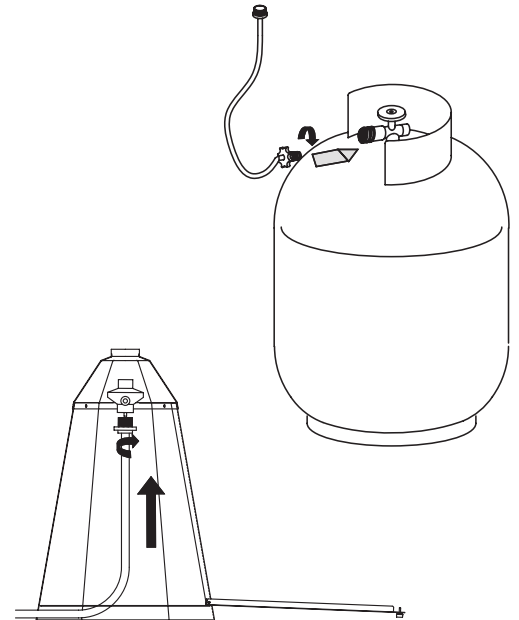
Only cylinders marked “propane” may be used.

*Note:* Some 1-lb cylinders may form frost when near empty.

Line up threads on canister with those on regulator, insert and rotate canister clockwise until they fit snugly together. **HAND TIGHTEN ONLY.** Be careful not to cross threads when screwing in canister.

### **Caution**

***Before you attempt to use a propane cylinder, understand all cylinder and propane related precautions in Section #1 – “Safety First.”***



## **Caution**

***Your Endless Summer Portable Heater has been checked at all factory connections for leaks. Recheck all connections, as movement in shipping can loosen connections. Check for leaks even if your unit was assembled for you at the store.***

## **Step 6 – Check for Leaks**

**To check for leaks:**

Make 1-2 oz. of leak solution by mixing one part liquid dishwashing soap and 3 parts water.

Spoon several drops (or use squirt bottle) of the solution onto the regulator/canister connections.

Inspect the connections and look for bubbles

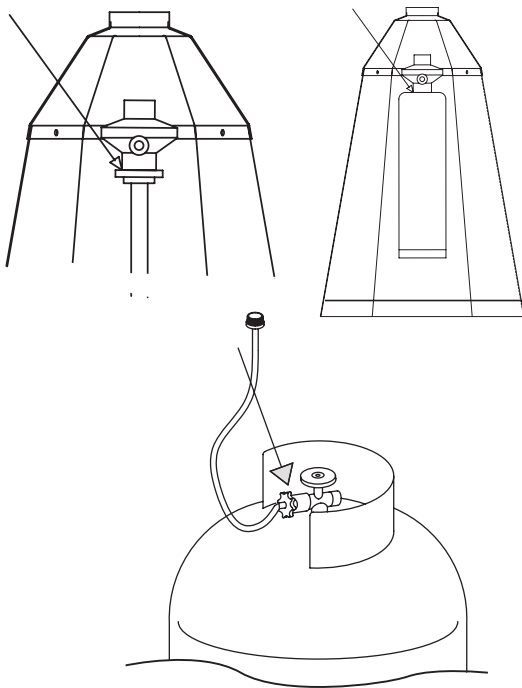
If NO bubbles appear, the connection is safe.

If bubbles appear, there is a leak:

Loosen and re-tighten this connection.

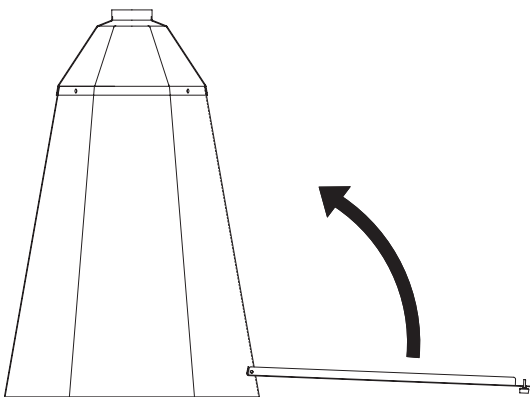
Re-check for a leak.

If you continue to see bubbles after several attempts, disconnect propane source and contact 1-800-762-1142.



## **Step 7 – Install Access Panel**

Rotate door up to closed position and tighten thumb screw



**Contact 1-800-762-1142 for assistance.  
Do not return to place of purchase.**

**Endless Summer** 

### **Step 8 – Securing the Tank**

Mount your 20 lb. cylinder to a sturdy object such as a table or post within 3 to 4 feet of your heater when in use, this will prevent movement or tipping of the cylinder during operation.

The clamp on the cylinder ring will attach to any round pole from 1" to 2" in diameter, or a square post from 1" to 2" square. It will also adapt to various other shapes up to 2" wide.

Determine where to locate your 20 lb. cylinder. Be sure that it is within 2" what you are mounting it to.

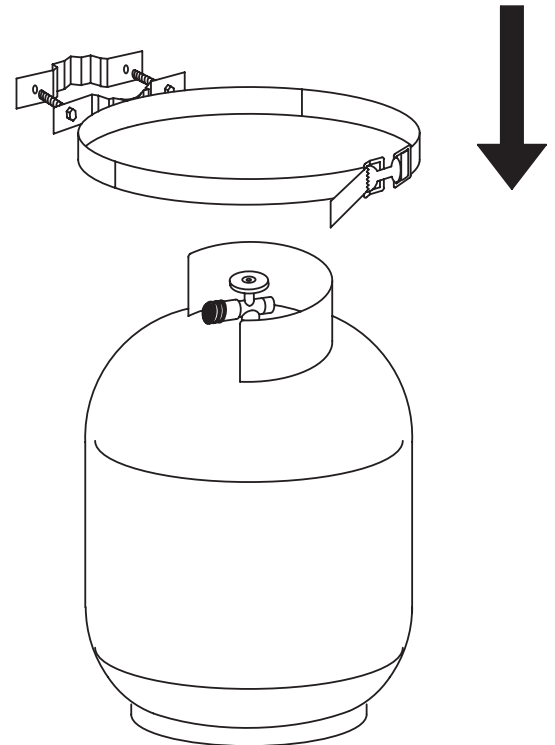
Place the bracket halves around the object and insert the 2" bolts through the open holes in one bracket and into the matching threaded holes in the second bracket. Position bracket within 6" of the middle of the cylinder. Finger tighten bolts.

Slide the 20 lb. cylinder into the curved portion of the bracket, making sure strapping ends are not between cylinder and bracket. Enclose cylinder in strap and securely tighten strap in buckle.

Using a 7/16" wrench, tighten the 2" bolts until they are secure. **DO NOT OVER TIGHTEN.**

In some cases you may wish to secure your cylinder to a larger object or a wall. It is possible to mount the bracket attached to the straps to these surfaces by drilling matching holes and using screws and nuts or lag screws (not provided) to secure your cylinder.

*Note:* Once you have read "safety first" and successfully completed Steps 1 – 8, you are ready to begin operating your heater.





**WARNING**  
**FOR YOUR SAFETY**

- **Do NOT attempt to operate heater until you have read and understand all precautions in Section 1 “Safety First.” Failure to do so can result in serious personal injury, death, or property damage.**
- **If at any time you are unable to light burner and smell gas, wait 5 minutes to allow gas to dissipate before attempting to light heater.**
- **Do NOT touch emitter or dome or move heater for at least 45 minutes after use.**

## Operation

### Before Turning Gas Supply ON

Your heater was designed and approved for OUTDOOR USE ONLY. DO NOT use it inside a building, garage, or any other enclosed area.

Make sure surrounding areas are free of combustible materials, gasoline, and other flammable vapors or liquids.

Ensure that there is no obstruction to air ventilation.

Be sure all gas connections are tight and there are no leaks.

Be sure the access panel is clear of debris.

Be sure any component removed during assembly or servicing is replaced and fastened prior to starting.

### Before Lighting

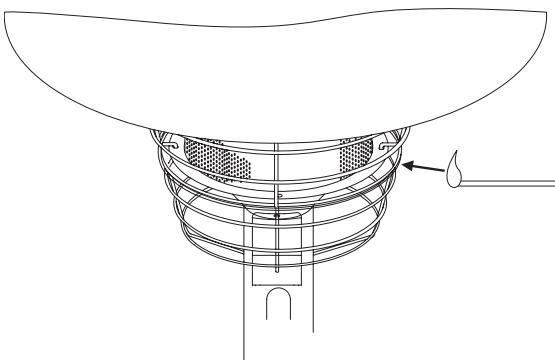
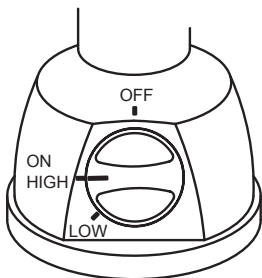
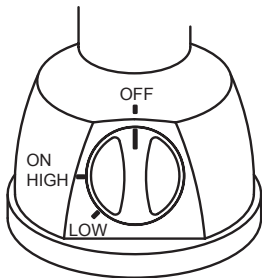
Heater should be thoroughly inspected before each use, and by a qualified service person at least annually.

If relighting a hot heater, always wait at least 5 minutes for gas to dissipate.

### Lighting

1. Turn Gas Control Knob to OFF position.
2. Push in Control Knob and rotate to “ON” position. This will activate the built-in ignitor and light the burner. If necessary, keep depressing and rotating Knob until burner lights.
3. Once burner is lit, hold Control Knob in for at least 30 seconds and release.
4. If burner does not stay lit, wait 5 minutes and repeat steps 2 and 3.
5. If ignitor does not light burner, use a lit match positioned against the bottom of emitter screen at burner location.
6. Once burner is lit, rotate Knob to desired heating level.

If you experience any ignition problem, turn off the heater and gas supply, and consult “Troubleshooting” on page 14.



**Contact 1-800-762-1142 for assistance.  
Do not return to place of purchase.**

**Endless Summer** 

**Caution: Avoid inhaling fumes emitted from the heater's first use. Smoke and odor from the burning of oils used in manufacturing will appear. Both smoke and odor will dissipate after approximately 30 minutes. The heater should NOT produce thick black smoke.**

**Note:** The burner may be noisy when initially turned on. To eliminate excessive noise from the burner, turn the Control Knob to the LOW position. Then, turn the knob to the level of heat desired.

#### **When heater is ON:**

Emitter screen will become bright red due to intense heat. The color is more visible at night.

Burner will display tongues of blue flame. These flames should not be yellow or produce thick black smoke, indicating an obstruction of airflow through the burners.

If yellow flame is detected, turn off heater and gas supply and consult "Troubleshooting" on page 14.

#### **Re-lighting**

**Note:** For your safety, Control Knob cannot be turned ON without first depressing Control Knob in OFF position and then rotating to ON.

1. Turn Gas Control Knob to OFF.
2. Wait at least 5 minutes to let gas dissipate before attempting to relight burner.
3. Repeat the "Lighting" Steps 2 and 3 on prior page.

#### **Shut Down**

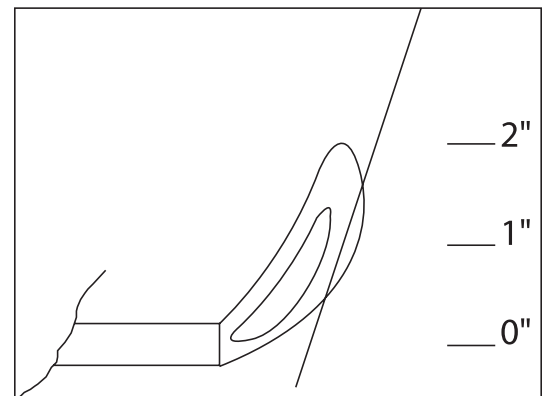
1. Rotate Gas Control Knob to OFF position. Normally, burner will make a slight popping sound when extinguished.
2. Turn off gas at bottle/cylinder.
3. Remove access panel.
4. Unscrew gas line from regulator.
5. Close access panel.

**Note:** After use, some discoloration of the emitter screen is normal.



#### **WARNING FOR YOUR SAFETY**

***Be careful when attempting to manually ignite this heater. Holding in the control knob for more than 10 seconds before igniting the gas will cause a ball of flame upon ignition.***



## Operation Checklist

For a safe and pleasurable heating experience, perform this check before each use.

### Before Operating

- I am familiar with entire owner's manual and understand all precautions noted in "Safety First".
- All components are properly assembled, intact and operable.
- No alterations have been made.
- All gas connections are secure and do not leak.
- Wind velocity is below 10 mph.
- Outdoor temperature is greater than 40 degrees F.
- Heater is outdoors (outside any enclosure).
- There is adequate fresh air ventilation.
- Heater is away from gasoline or other flammable liquids or vapors.
- Heater is away from windows, air intake openings, sprinklers and other water sources.
- Heater is at least 36" (top) and 24" (side) from combustible materials.
- Heater is on a hard and level surface.
- There are no signs of spider or insect nests.
- All burner passages are clear.
- All air circulation passages are clear.
- Children, pets, clothing, flammable materials and items that can be damaged from radiant heat are away from the heater.
- Children and adults in the area have been alerted to the high temperature hazards: especially burns and clothing fires.
- Children and adults in the area have been warned not to touch heater near engine during operation and until unit has cooled.

### After Operation

- Gas control is in OFF position.
- Gas tank valve is OFF
- Disconnect Gas line.
- Heater is upright in a secure location.

**Contact 1-800-762-1142 for assistance.  
Do not return to place of purchase.**



## Troubleshooting

<u>If the problem is:</u>	<u>And this condition exists:</u>	<u>Then do this</u>
<b>Burner won't light</b>	Gas pressure is low	Replace bottle/cylinder or canister
	Blockage in burner openings	Clear blockage
	Blockage in venturi tube	Clean venturi
	Blockage in gas line	Check gas line for blockage
	Control knob is not in ON position	Turn control knob to ON
<b>Burner won't stay lit</b>	Bad thermocouple	Replace ODS
	Corrosion at thermocouple	Clean contact
	Burner flame not touching thermocouple	Contact certified technician
<b>Burner flame is low</b>  <i>Note: Heater operates at reduced efficiency below 40°F (5°C)</i>	Gas pressure is low	Turn Control Knob OFF and replace bottle/cylinder or canister
	Outdoor temperature is less than 40°F and tank is less than 1/4 full	Use a full bottle/cylinder or canister
	Control knob fully ON	Check burner and all openings for blockage
<b>Emitter glows uneven</b>	Gas pressure is low	Replace bottle/cylinder or canister
	Heater not level	Level heater
	Burner tilted	Straighten burner
<b>Carbon build-up</b>	Base is not on a level surface	Place heater on a level surface
	Heater is level	Clean burner
	Dirt or film on reflector and emitter	Clean reflector and emitter
<b>Thick black smoke</b>	Blockage in burner	Remove blockage and clean burner inside and outside



**WARNING**  
**FOR YOUR SAFETY**

- **Do NOT touch or move heater for at least 45 minutes after use.**
- **Dome is hot to the touch.**
- **Allow dome to cool before touching.**

## **Maintenance**

To enjoy years of outstanding performance from your heater, make sure you perform the following maintenance activities on a regular basis:

Keep exterior surfaces clean.

Use warm soapy water for cleaning. Never use flammable or corrosive cleaning agents.

While cleaning your unit, be sure to keep the area around the burner and pilot assembly dry at all times. Do not submerge the control valve assembly. If the gas control is submerged in water, do NOT use it. It must be replaced.

Air flow must be unobstructed. Keep controls, burner, and circulating air passageways clean. Signs of possible blockage include:

Gas odor with extreme yellow tipping of flame.

Heater does NOT reach the desired temperature.

Heater glow is excessively uneven.

Heater makes popping noises.

Spiders and insects can nest in burner or orifices. This dangerous condition can damage heater and render it unsafe for use. Clean burner holes by using a heavy-duty pipe cleaner. Compressed air may help clear away smaller particles.

Carbon deposits may create a fire hazard. Clean dome and emitter with warm soapy water if any carbon deposits develop.

*Note:* In a salt-air environment (such as near an ocean), corrosion occurs more quickly than normal. Frequently check for corroded areas and repair them promptly.

### **TIP:**

Use high-quality automobile wax to help maintain the appearance of your heater. Apply to exterior surfaces from the pole down. Do not apply to emitter screen or domes.



**Contact 1-800-762-1142 for assistance.  
Do not return to place of purchase.**

**Endless Summer** 

## **Storage**

### **Between uses:**

Turn Control Knob OFF.

Disconnect LP source.

Store heater upright in an area sheltered from direct contact with inclement weather (such as rain, sleet, hail, snow, dust and debris).

If desired, cover heater to protect exterior surfaces and to help prevent build up in air passages.

*Note:* Wait until heater is cool before covering.



### **WARNING** **FOR YOUR SAFETY**

*Never attempt to refill disposable canister. Refilling may cause explosion. To discard, contact local refuse hauler or recycle center.*

***Do not puncture or incinerate.***

### **During periods of extended inactivity or when transporting:**

Turn Control Knob OFF.

Disconnect LP source and move to a secure, well-ventilated location outdoors.

Store heater upright in an area sheltered from direct contact with inclement weather (such as rain, sleet, hail, snow, dust and debris).

If desired, cover heater to protect exterior surfaces and to help prevent build up in air passages.

Never leave LP cannister exposed to direct sunlight or excessive heat.

*Note:* Wait until heater is cool before covering.

## **Service**

To learn how to service and procure parts for worn out, defective or damaged components contact 1-800-762-1142 for assistance or e-mail [CustomerService@BlueRhino.com](mailto:CustomerService@BlueRhino.com). Please supply model number and serial ID number for best service support. These numbers can be found on a label on the rear of the Valve Housing.

***Caution: Use only original equipment replacement parts. Use of unauthorized parts or modification of parts will void warranty and create an unsafe condition.***

***Caution: Always allow heater to cool before attempting service.***

## Limited Warranty

Blue Rhino Global Sourcing, LLC (“Vendor”) warrants to the original retail purchaser of this heater, and to no other person, that if this heater is assembled and operated in accordance with the printed instructions accompanying it, then for a period of two (2) years from the date of purchase, all parts in such heater shall be free from defects in material and workmanship. Vendor may require reasonable proof of your date of purchase from an authorized retailer or distributor. Therefore, you should retain your sales slip or invoice. This Limited Warranty shall be limited to the repair or replacement of parts, which prove defective under normal use and service and which Vendor shall determine in its reasonable discretion upon examination to be defective. Before returning any parts, you should contact Vendor’s Customer Service Department using the contact information listed below. If Vendor confirms, after examination, a defect covered by this Limited Warranty in any returned part, and if Vendor approves the claim, Vendor will replace such defective part without charge. If you return defective parts, transportation charges must be prepaid by you. Vendor will return replacement parts to the original retail purchaser, freight or postage prepaid.

This Limited Warranty does not cover any failures or operating difficulties due to accident, abuse, misuse, alteration, misapplication, improper installation or improper maintenance or service by you or any third party, failure to perform normal and routine maintenance on the heater, shipping damage, normal adjustment to burner, damage or repairs related to insects, birds, or animals of any kind, and damage due to weather conditions as set out in this owner’s manual. In addition, the Limited Warranty does not cover damage to the finish, such as scratches, dents, discoloration, rust or other weather damage, after purchase.

This Limited Warranty is in lieu of all other express warranties. Vendor disclaims all warranties for products that are purchased from sellers other than authorized retailers or distributors. AFTER THE PERIOD OF THE TWO (2)-YEARS EXPRESS WARRANTY, VENDOR DISCLAIMS ANY AND ALL IMPLIED WARRANTIES, INCLUDING WITHOUT LIMITATION THE IMPLIED WARRANTIES OF MERCHANTABILITY AND FITNESS FOR A PARTICULAR PURPOSE. FURTHER, VENDOR SHALL HAVE NO LIABILITY WHATSOEVER TO PURCHASER OR ANY THIRD PARTY FOR ANY SPECIAL, INDIRECT, PUNITIVE, INCIDENTAL, OR CONSEQUENTIAL DAMAGES. Vendor assumes no responsibility for any defects caused by third parties. This Limited Warranty gives the purchaser specific legal rights; a purchaser may have other rights depending upon where he or she lives. Some jurisdictions do not allow the exclusion or limitation of special, incidental or consequential damages, or limitations on how long a warranty lasts, so the above exclusion and limitations may not apply to you.

Vendor does not authorize any person or company to assume for it any other obligation or liability in connection with the sale, installation, use, removal, return, or replacement of its equipment, and no such representations are binding on Vendor.

Blue Rhino Global Sourcing, LLC  
104 Cambridge Plaza Drive  
Winston-Salem, North Carolina 27104 USA  
(800) 762-1142  
24 Hour Fax: (336) 659-6743  
CustomerService@BlueRhino.com

**Contact 1-800-762-1142 for assistance.  
Do not return to place of purchase.**

**Endless Summer** 

## Specifications

### Certifications:

CSA International Requirement 5.90  
Canadian National Standard CAN1-2.23-M82

### Rating:

Maximum 11,000 BTU/hr. input

### Heat Range:

Up to 10 foot diameter

### Fuel:

Liquid Propane Gas (LP)

### Cylinder Size:

Nominal 20 lb / 5 Gallon  
OR  
14.1 oz. (400 grams)  
16.4 oz. (465 grams)

### Inlet gas supply pressure:

Maximum – 150 PSI  
Minimum – 5 PSI

### Manifold Pressure:

11.00 in. W.C.

### Supply Pressure:

0.41 psig (11.00 in. W.C.)

### Engine:

IPP E8

### Safety Features:

Oxygen Depletion Sensor (ODS) shutdown system  
100% Burner shut-off  
Tilt Switch

### Manufacturer:

Blue Rhino Global Sourcing, LLC

### Made In:

China



## **AVERTISSEMENT**

### **POUR VOTRE SECURITE:**

En cas d'odeur de gaz -

1. Fermez le robinet de gaz alimentant l'appareil.
2. Éteignez toute flamme.
3. Si l'odeur persiste, contactez votre fournisseur de gaz ou les pompiers.



## **AVERTISSEMENT**

### **Proposition 65 de Californie:**

L'État de la Californie reconnaît que la combustion du propane produit des émanations et des résidus chimiques qui provoquent le cancer, des malformations congénitales et sont nocifs pour le système reproductif.



## **AVERTISSEMENT**

### **POUR VOTRE SECURITE:**

1. Toute fuite de gaz risque de provoquer un incendie ou une explosion et entraîner des dégâts matériels, des blessures graves voire mortelles.
2. Respectez toutes les consignes de l'étape 6 avant d'utiliser l'appareil.
3. Ne jamais utiliser de flamme nue afin de détecter une fuite.



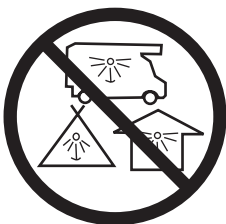
## **AVERTISSEMENT**

### **POUR VOTRE SECURITE:**

Ne pas utiliser ni stocker d'essence ou de liquides et autres vapeurs inflammables à proximité de cet appareil ou de tout autre appareil.



## **DANGER**



### **DANGER DE MONOXYDE DE CARBONE**

- Cet appareil risque de produire du monoxyde de carbone inodore.
- Vous risquez une mort certaine à utiliser cet appareil dans un abri clos ou fermé.
- Ne jamais utiliser cet appareil dans un endroit fermé tel qu'une caravane, maison mobile, tente, voiture ou à l'intérieur d'une maison.

## Table des matières

La sécurité avant tout! .....	3
Instructions de montage	
Quincaillerie et liste des pièces .....	5
Pièces et caractéristiques générales .....	6
Accessoires supplémentaires .....	6
Étape 1 Fixer la grille de l'émetteur .....	6
Étape 2 Fixer le dispositif de protection en fil métallique .....	7
Étape 3 Fixer le dôme à l'émetteur .....	7
Étape 4 Fixer le chapeau du dôme .....	7
Étape 5 Raccordement du gaz .....	8
Étape 6 Rechercher une fuite potentielle .....	9
Étape 7 Installation du panneau d'accès .....	9
Étape 8 Fixer la bouteille de gaz .....	10
Fonctionnement	
Avant d'ouvrir le robinet de gaz (ON) .....	11
Avant d'allumer l'appareil .....	11
Allumer l'appareil .....	11
Rallumer l'appareil .....	12
Éteindre l'appareil .....	12
Liste de vérifications à effectuer avant la mise en marche .....	13
Guide de dépannage .....	14
Entretien .....	15
Remisage .....	16
Service après-vente .....	16
Garantie .....	17
Caractéristiques techniques .....	18



L'utilisation et l'installation de ce produit doivent se conformer aux codes locaux. En l'absence des codes locaux, employez le code national de carburant et de gaz, la norme ANSI Z223.1/NFPA 54, le stockage et la manipulation des gaz de pétrole liquifiés, ANSI/NFPA 58 ou CSA B149.1, gaz naturel et code d'installation de propane.

Conserve estas instrucciones para futuras consultas. Si está montando esta unidad para otra persona, entréguele este manual para futuras consultas.



**Avant de faire quoi que ce soit, veuillez lire et comprendre toutes les consignes de la section "La sécurité avant tout!"**



## **ADVERTENCIA**

### **PARA SU SEGURIDAD,**

- **L'acheteur assume tous les risques lors de l'assemblage et de l'utilisation de cet appareil. Le non-respect des instructions et des consignes de sécurité de ce manuel risque de provoquer des blessures graves voir la mort ou des dégâts matériels.**
- **La combustion du propane produit de l'oxyde de carbone qui risque d'être mortelle si vous utilisez cet appareil dans un endroit fermé.**
- **Le dôme est extrêmement chaud lorsque l'appareil fonctionne. Ne touchez jamais le dôme lorsque l'appareil est allumé. Attendez que l'appareil refroidisse (environ 45 minutes) après l'avoir éteint.**
- **Ne pas utiliser l'appareil dans une atmosphère explosive. Conservez l'appareil à l'écart de toute zone où des liquides inflammables ou de l'essence sont remisés ou stockés et où des vapeurs ou émanations explosives sont présentes.**

## **La sécurité avant tout!**

Lisez et familiarisez-vous avec ce manuel et surtout les précautions suivantes. Si vous avez des questions concernant ces instructions, ARRÊTEZ et composez le 1-800-762-1142 pour toute assistance.

**Attention: Cet appareil est sensé être utilisé à l'extérieur uniquement (hors de tout espace clos). Assurez-vous qu'il y a toujours suffisamment d'air pour la ventilation de l'appareil.**

- Veillez à ce qu'il y ait toujours un espace d'au moins 91 cm entre l'appareil et toute matière combustible.
  - Veillez à ce que l'appareil soit toujours placé sur une surface dure et plane.
  - Ne pas utiliser l'appareil si la vitesse du vent dépasse 16 km/h.
  - Si la température descend en dessous de 40°F (5°C), l'appareil fonctionnera à un rendement moindre.
  - Conservez les arroseurs d'eau et autres sources d'eau à l'écart des brûleurs et des commandes.
  - Lorsque vous utilisez le tuyau de rallonge, veillez à le placer à un endroit où il ne gênera pas le passage des gens et où ces derniers peuvent trébucher dessus. Veillez à ce qu'il ne puisse être accidentellement endommagé.
  - **Faites preuve d'une extrême précaution lorsque vous êtes à proximité de l'appareil. Indiquez aux enfants et aux adultes les dangers existants en raison des hautes températures afin d'éviter qu'ils ne se brûlent ou que leurs vêtements ne prennent feu.**
  - **Ne laissez jamais les enfants et les animaux domestiques sans surveillance lorsque ces derniers sont à proximité de l'appareil.**
  - **Ne pendez pas de vêtements ou d'autres matières inflammables sur l'appareil ou à proximité de ce dernier.**
  - **Tout cache ou dispositif de protection ayant été retiré afin de procéder à une réparation ou à l'entretien de l'appareil, doit être remis en place avant de mettre en marche l'appareil.**
  - Certains matériaux ou articles risquent d'être sérieusement endommagés en raison de la chaleur rayonnante si ces derniers sont placés sous l'appareil.
  - Ne modifiez en aucune façon l'appareil.
  - Vérifiez le radiateur extérieur et son tuyau de rallonge à chaque fois avant d'utiliser l'appareil. Si vous détectez une pièce endommagée, n'utilisez pas l'appareil avant d'installer une pièce d'origine. L'utilisation de toute pièce non approuvée par le fabricant annulera la garantie et présentera un danger.
  - Ne tentez pas d'utiliser l'appareil sans un régulateur de gaz en état de fonctionnement et ayant été monté à l'usine. Si le régulateur s'avère endommagé, utilisez uniquement un régulateur de rechange fourni par l'usine.
  - Ne touchez pas les pièces du brûleur lorsque l'appareil fonctionne. La surface de l'émetteur de chaleur peut atteindre 1600°F (870°C).
  - Après avoir éteint l'appareil, ne touchez pas le brûleur jusqu'à ce que l'appareil se soit refroidi (attendre environ 45 minutes).
- Avis:** Cet appareil ne doit pas être utilisé avec un carburant autre que du propane liquide. Le non-respect de cette consigne nuira au rendement de l'appareil et annulera la garantie.
- Attention: Le propane liquide (LP) est un gaz inflammable et dangereux si ce dernier n'est pas manipulé correctement. Soyez conscient des dangers avant d'utiliser tout appareil fonctionnant au propane.**

- Caractéristiques du propane: le propane est un gaz inflammable qui risque d'exploser sous pression. C'est un gaz plus lourd que l'air présent en gisements.
- À l'état naturel, le propane est inodore. Pour votre sécurité, un odorisant ayant l'odeur de choux avariés est ajouté.
- Tout contact avec la peau risque d'entraîner des brûlures.
- Cet appareil est expédié de l'usine afin d'être utilisé avec du propane uniquement.
- Utilisez uniquement des bouteilles de gaz de 20 lb (9 kg) homologuées par le DOT (Ministère des Transports) (il s'agit des mêmes bouteilles que celles utilisées pour les grils à gaz) avec soupape de sécurité QCC Acme/Type 1. Ces soupapes sont faciles à identifier car elles possèdent un filetage interne et externe.
- N'utilisez jamais une bouteille de propane si le corps, le robinet de commande, le col ou le socle est endommagé.
- Lorsque vous utilisez une bonbonne de gaz de 20 lb. (9 kg), le système d'alimentation de la bonbonne doit être prévu afin de permettre la sortie des vapeurs et des émanations.
- Lorsque vous utilisez une bonbonne de gaz de 20 lb. (9 kg), cette dernière doit être équipée d'un collier de protection afin de protéger la valve de la bonbonne.
- Lorsque vous n'utilisez pas l'appareil, fermez le robinet de gaz de la bouteille (OFF)
- Veillez à toujours effectuer un test afin de rechercher toute fuite potentielle au niveau des raccords de gaz (voir Étapes 6 et 7). N'utilisez jamais de flamme nue afin de rechercher une fuite. Ne fumez jamais lorsque vous effectuez le test.

**Attention: Il est primordial que le compartiment du robinet de commande de l'appareil, les brûleurs et les passages par où l'air circule demeurent propres.**

- Les araignées et les insectes risquent de provoquer des conditions dangereuses et de nuire au bon fonctionnement de l'appareil. Veillez à ce que la zone du brûleur demeure propre et sans toiles d'araignées ou insectes.
- Vérifiez l'appareil avant chaque utilisation.
- **Faites inspecter le radiateur extérieur une fois par an et veillez à ce que toute réparation soit effectuée par un réparateur qualifié.**
- Vérifiez immédiatement l'appareil dans les cas suivants:
  - Vous sentez une odeur de gaz et les crêtes des flammes sont extrêmement jaunes.
  - L'appareil n'atteint pas la température adéquate. Remarque: l'appareil fonctionnera à un rendement moindre à une température inférieure à 40°F (5°C).
  - La lueur de chauffage n'est pas du tout uniforme.
- Le brûleur fait du bruit lorsqu'il fonctionne. Remarque: il est normal que le brûleur émette un léger bruit lors de son extinction.
- Des résidus de carbone risquent de provoquer un incendie. Veillez à ce que le dôme et l'émetteur demeurent toujours propres.
- Ne nettoyez pas l'appareil avec un nettoyeur combustible ou corrosif. Utilisez de l'eau tiède savonneuse.
- Ne peignez aucune partie de cet appareil.

**Remarque:** Si vous utilisez une bouteille de gaz de 20 lb (9 kg), il est nécessaire d'utiliser l'adaptateur spécial pour tuyaux fourni pour ce raccord. Cet adaptateur est fourni avec une prise POL au niveau de l'embout de raccordement de la bouteille.

### **Bonbonne de gaz de 9 kg**



### **POUR VOTRE SÉCURITÉ: Attention aux araignées**

*Les araignées et autres insectes peuvent s'introduire dans la tubulure du brûleur et les autres orifices de l'appareil et pendre leurs toiles et y fabriquer leurs nids. Ces obstacles risquent de provoquer des problèmes au niveau de l'alimentation du gaz.*

*Vérifiez fréquemment ces endroits et nettoyez-les si nécessaire.*

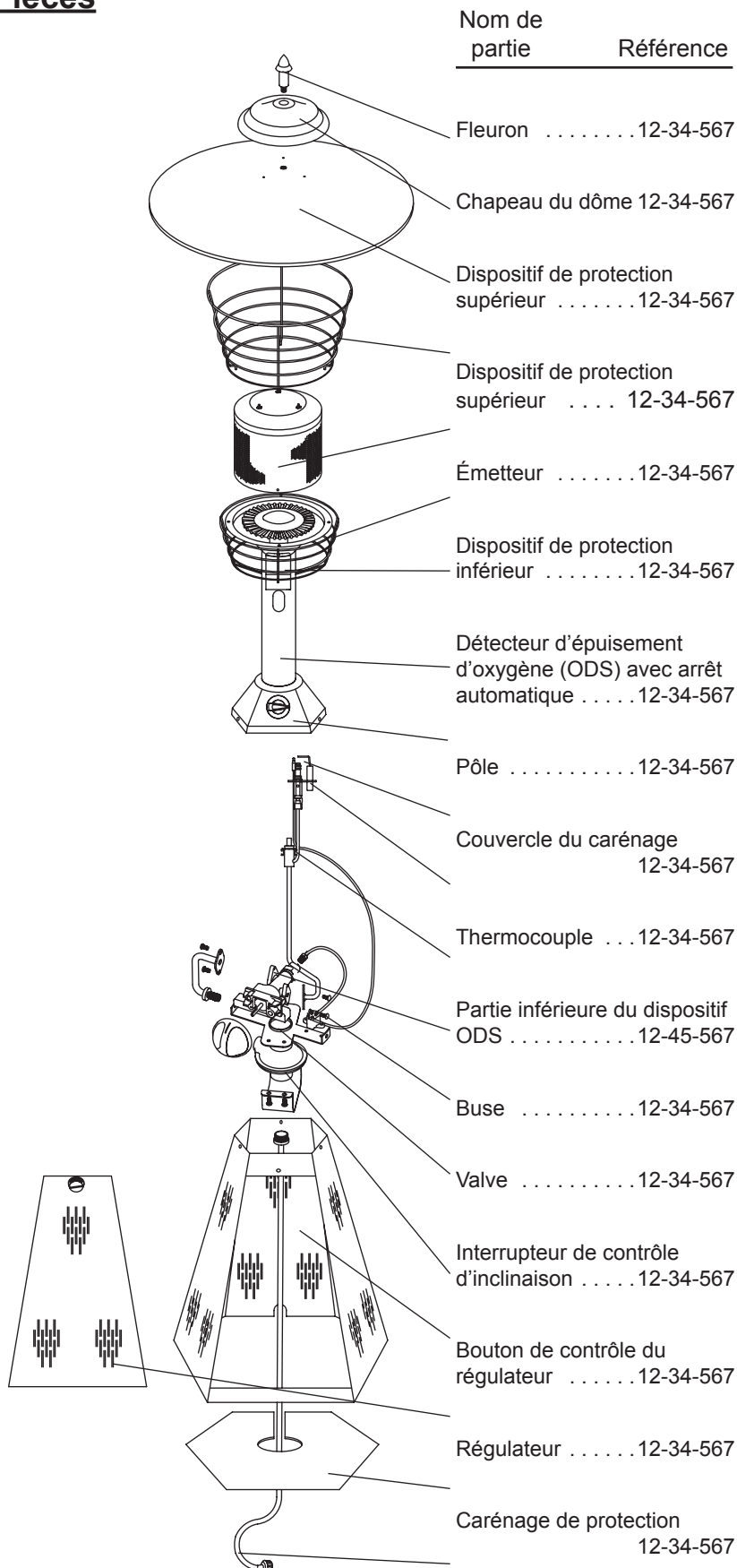
*Avant d'utiliser l'appareil pour la première fois, vérifiez qu'aucun obstacle de ce genre n'est apparu lors du transport.*

### **Vous avez besoin d'une bonbonne de gaz?**

Essayez le service de bonbonnes de rechange Blue Rhino. C'est un service facile, rapide, sans danger et présent dans des dizaines de milliers de points de vente partout dans le pays. Achetez une bonbonne neuve ou échangez votre bonbonne vide contre une bonbonne déjà remplie.

Pour le point de vente le plus proche consultez **www.bluerhino.com**.

## Pièces



## Quincaillerie

Picture	Qty	Description	Used in Step(s)
---------	-----	-------------	-----------------



4

Vis moyenne  
12-34-567

1



3

Écrou  
12-34-567

3



## Instructions de montage

### Pièces et caractéristiques générales

Familiarisez-vous avec toutes les pièces avant de commencer. Reportez-vous à la page 5 pour la nomenclature, les pièces et leurs caractéristiques.

NE PAS tenter de monter l'appareil si vous n'avez pas toutes les pièces. Si vous pensez que des pièces sont manquantes ou endommagées, appelez le 1-800-762-1142.

### Accessoires supplémentaires

Les articles suivants ne sont pas fournis mais sont nécessaires afin de monter l'appareil. NE PAS tenter de monter l'appareil sans outils adéquats.

- (1) - Clé de 7/16 po. (11 mm)
- (1) - Tournevis cruciforme Phillips #2
- (1) - Solution pour détection de fuite (voir instructions pour préparer la solution à l'étape 6)
- (1) - Bouteille de gaz (propane) de 20 livres (9 kg) (11,3 à 15 litres) pour gril

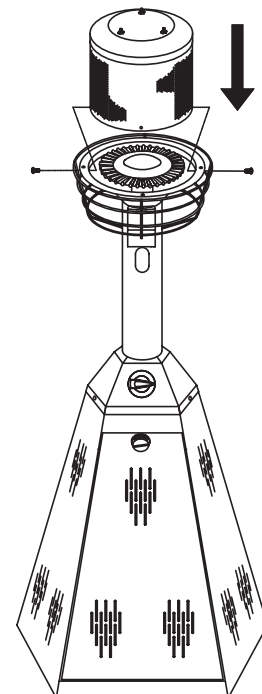
Remarque: Suivez toutes les étapes afin de monter correctement l'appareil..

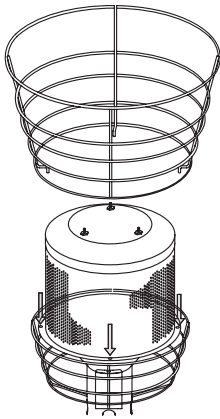
### Étape 1: Fixer la grille de l'émetteur

Alignez les 4 trous au fond de la grille de l'émetteur en les faisant correspondre aux trous du fond de l'émetteur et introduisez (4) vis de taille moyenne dans les trous.



x 4

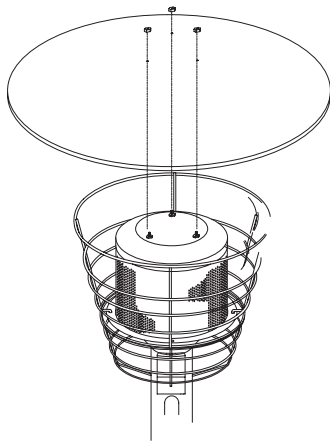




### **Étape 2: Fixer le dispositif de protection en fil métallique**

Alignez les 4 broches du fond du dispositif de protection avec les 4 trous du fond de l'émetteur puis introduisez le dispositif.

*Remarque:* Il sera peut être nécessaire de régler légèrement les broches afin de les aligner avec les trous.

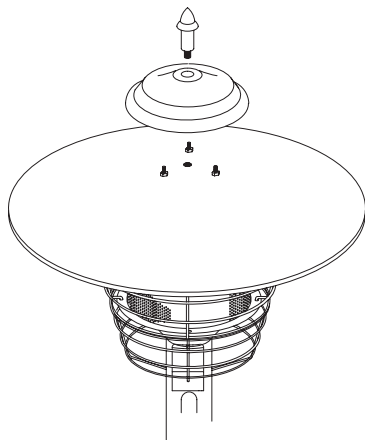


### **Étape 3: Fixer le dôme à l'émetteur**

Alignez les trois tiges de l'émetteur avec les trous du dôme. Glissez le dôme avec précaution sur les tiges, en fixant le dispositif de protection en fil métallique.

*Remarque:* Il sera peut être nécessaire de régler légèrement les broches du dispositif de protection afin de les fixer correctement.

Montez (3) écrous sur les tiges et serrez-les à l'aide d'une clé de 7/16 po. (11 mm). Ne pas trop serrer.



### **Step 4: Fixer le chapeau du dôme**

Lay Dome Cap on dome covering 3 Nuts and line up center holes.

Insert threaded end of Finial through cap and screw into center of dome until secure.

### **Étape 5: Raccordement du gaz**

*Remarque:* Pour un résultat optimal, utilisez une bouteille de 20 livres (9 kg) avec l'appareil de chauffage.

**Attention: Avant d'utiliser la bouteille de propane, il est indispensable de comprendre toutes les consignes de sécurité de la section 1 - "La sécurité avant tout!"**

### **Pour raccorder une bouteille de gaz de 20 livres (9 kg)**

Glissez le bout du tuyau de gaz souple comportant la pièce de raccord en cuivre dans le trou central du socle de l'appareil puis vers le haut jusqu'au filetage du régulateur.

Alignez le filetage de la pièce de raccord du tuyau avec le filetage du régulateur et tournez dans le sens des aiguilles d'une montre afin de serrer. **SERREZ UNIQUEMENT À LA MAIN. N'UTILISEZ PAS D'OUTILS AFIN D'EFFECTUER CE RACCORD. VEILLENZ À NE PAS FAUSSER LE FILETAGE LORSQUE VOUS VISSEZ.**

Placez l'appareil sur son socle en veillant à ce que le tuyau de gaz souple passe par la petite fente du socle.

Raccordez le tuyau de gaz à la bouteille en tournant le robinet noir en plastique dans le sens inverse à celui des aiguilles d'une montre jusqu'à ce qu'il soit serré.

*Remarque:* Veillez à ne pas plier le tuyau souple de gaz.

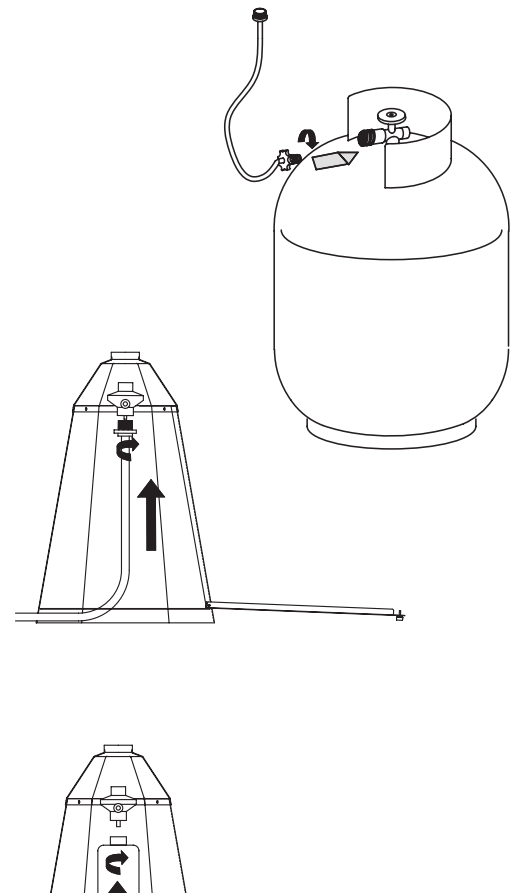
### **Pour raccorder une bouteille de gaz de 14.1 oz (400 g) ou 16.4 oz (465 g)**

*Remarque:* Du gel risque de se former sur certaines bouteilles de 1 lb. (453 g) lorsqu'elles sont presque vides.

Alignez le filetage de la bouteille avec celui du régulateur, introduisez et tournez la bouteille dans le sens des aiguilles d'une montre jusqu'à ce qu'ils s'engastrent l'un dans l'autre. **SERREZ UNIQUEMENT À LA MAIN. VEILLENZ À NE PAS FAUSSER LE FILETAGE LORSQUE VOUS VISSEZ LE CONTENANT.**

### **Precaución:**

**Antes de tratar de usar un cilindro de propano, familiarícese completamente con todas las precauciones relacionadas con el cilindro y el propano, que encuentra en la Sección #1 - "La Seguridad, lo Primero"**



## **Attention:**

***Le Chauffage Extérieur Portable Endless Summer a été vérifié en usine afin de s'assurer que les raccords ne présentent aucune fuite. Vérifiez à nouveau tous les raccords car il est possible qu'ils se soient desserrés lors du transport. Vérifiez que l'appareil ne présente aucune fuite même si ce dernier a été assemblé pour vous au magasin.***

## **Étape 6: Rechercher une fuite potentielle**

### **Pour détecter une fuite:**

Préparez une solution de 29 à 59 ml destinée à détecter les fuites en mélangeant un volume de détergent à vaisselle et 3 volumes d'eau.

À l'aide d'une cuillère (ou d'une gourde), versez quelques gouttes de la solution sur le raccord du régulateur et de la bouteille.

Vérifiez si des bulles apparaissent au niveau des raccords.

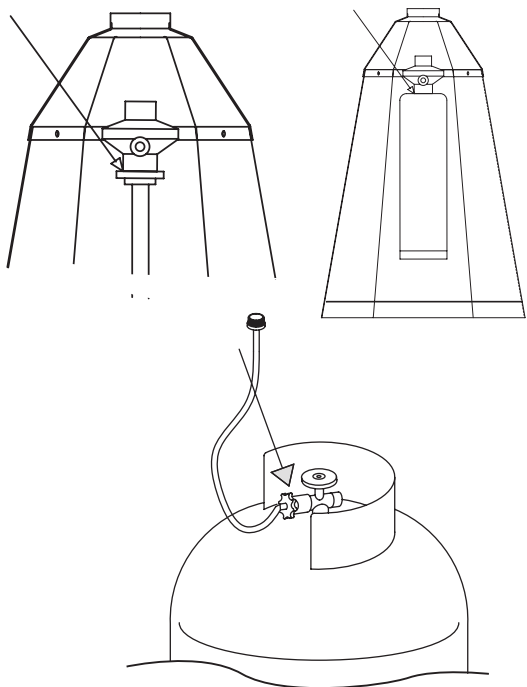
Si les raccords NE présentent PAS de bulles, le raccord est étanche.

Si des bulles apparaissent, vous venez de découvrir une fuite :

Desserrez puis serrez à nouveau le raccord.

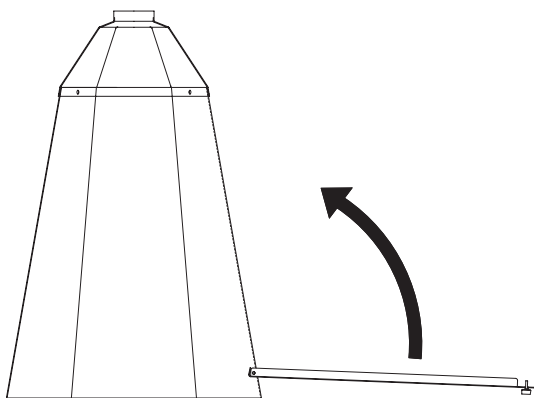
Vérifiez à nouveau le raccord.

Si des bulles persistent après plusieurs tentatives, composez le 1-800-762-1142.



## **Étape 7: Installation du panneau d'accès**

Tournez la porte vers le haut afin de la fermer et serrez la vis à la main..



### **Étape 8: Fixer la bouteille de gaz**

Fixez votre bouteille de gaz de 20 lb (9 kg) à un objet robuste tel qu'une table ou un poteau situé entre 90 cm et 1,2 mètres de l'appareil lorsqu'il fonctionne. Vous éviterez ainsi que la bouteille ne bouge ni se renverse pendant le fonctionnement de l'appareil.

La bride du collier de serrage de la bouteille peut se fixer à un poteau circulaire ou carré de 2,5 à 5 cm de diamètre.

Il peut également s'adapter à d'autres formes pouvant mesurer jusqu'à 5 cm de largeur.

Déterminez où vous comptez installer la bouteille de gaz de 9 kg. Assurez-vous qu'elle se trouve bien au maximum à 5 cm de l'objet auquel vous comptez l'attacher.

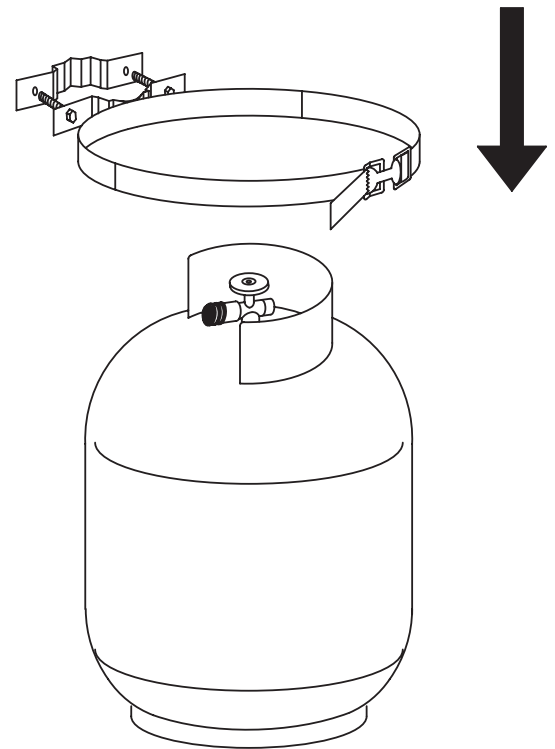
Placez les deux moitiés de l'étrier de fixation autour de l'objet et introduisez les boulons de 5 cm dans les trous de l'étrier et dans les trous filetés correspondant de l'autre moitié de l'étrier. Placez l'étrier à moins de 15 cm du centre de la bouteille de gaz. Serrez les boulons à la main.

Glissez la bouteille de gaz de 9 kg dans la partie incurvée de l'étrier en veillant à ce que les bouts de sangles ne se trouvent pas entre la bouteille et l'étrier. Serrez la sangle autour de la bouteille et serrant la sangle dans la boucle.

À l'aide d'une clé de 11 mm, serrez les boulons de 5 cm jusqu'à ce qu'ils soient correctement fixés. **NE PAS TROP SERRER.**

Dans certains cas, il est souhaitable de fixer la bouteille de gaz à un objet plus large ou à un mur. Il est possible de fixer l'étrier avec les sangles à ces surfaces en perçant des trous identiques et en utilisant des vis et des écrous ou des grandes vis (non fournis) afin de fixer la bouteille.

*Remarque:* Après avoir lu la section "La sécurité avant tout!" et effectué les étapes 1 à 8, vous pouvez à présent utiliser l'appareil de chauffage.





## **AVERTISSEMENTS**

### **POUR VOTRE SÉCURITÉ:**

- **NE PAS tenter d'utiliser l'appareil avant de lire et comprendre toutes les consignes de sécurité de la section 1 - "La sécurité avant tout!" Le non-respect de cette consigne risque d'entraîner des dommages matériels, des blessures graves voir la mort.**
- **Si vous n'arrivez pas à allumer l'appareil et si vous sentez une odeur de gaz, attendez 5 minutes afin que le gaz se dissipe avant de tenter de rallumer l'appareil.**
- **NE PAS toucher l'émetteur, le dôme ni tenter de déplacer l'appareil avant d'attendre au moins 45 minutes après avoir éteint l'appareil.**

## **Fonctionnement**

### **Avant d'ouvrir le robinet de gaz (ON)**

Votre appareil a été conçu et approuvé afin d'être UTILISÉ À L'EXTÉRIEUR UNIQUEMENT. NE PAS utiliser l'appareil à l'intérieur d'un immeuble, garage ou tout autre espace fermé.

Assurez-vous que le périmètre autour de l'appareil est dépourvu de matières combustibles, d'essence et d'autres liquides présentant des vapeurs ou émanations inflammables.

Assurez-vous que rien ne gêne la ventilation.

Assurez-vous que tous les raccords de gaz sont serrés et ne présentent aucune fuite (voir l'étape 5).

Assurez-vous que le panneau d'accès ne comporte pas de débris.

Assurez-vous que toutes les pièces ayant été retirées lors de l'assemblage ou de l'entretien ont été replacées et fixées avant d'utiliser l'appareil.

### **Avant d'allumer l'appareil**

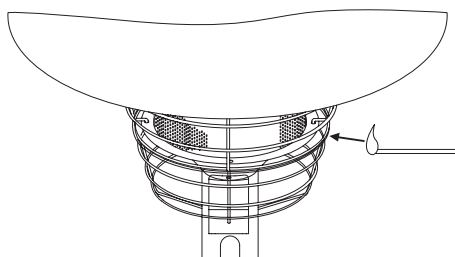
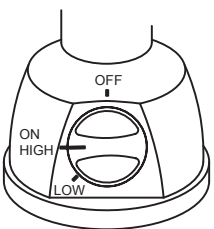
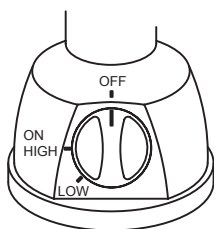
Inspectez complètement l'appareil avant chaque utilisation et faites en sorte qu'un réparateur agréé inspecte l'appareil une fois par an.

Si vous devez rallumer un appareil déjà chaud, attendez au moins 5 minutes afin que le gaz se dissipe.

### **Allumer l'appareil**

1. Fermez l'arrivée de gaz en réglant le bouton de commande sur "OFF".
2. Poussez le bouton de commande et tournez-le sur "ON". Vous allumerez ainsi le brûleur. Si nécessaire, continuez à maintenir le bouton de commande et à le tourner jusqu'à ce que le brûleur s'allume.
3. Après avoir allumé le brûleur, maintenez le bouton de commande enfoncé pendant au moins 30 secondes puis relâchez-le.
4. Si le brûleur ne demeure pas allumé, attendez 5 minutes et reprenez les étapes 2 et 3.
5. Après avoir allumé le brûleur, tournez le bouton de commande jusqu'au réglage de chauffage désiré.
6. Remplacez le panneau de commande.

En cas de problème lors de l'allumage, éteignez l'appareil et fermez l'arrivée de gaz et consultez le "Guide de dépannage" de la page 12.



**Attention: Évitez de respirer les vapeurs et émanations de l'appareil lors de sa première utilisation. La fumée et l'odeur provoquées par l'huile dissiperont après environ 30 minutes. L'appareil NE devrait PAS produire de fumée noire.**

**Note:** Le brûleur risque d'être bruyant lorsque vous l'allumez pour la première fois. Pour éviter tout bruit excessif du brûleur, réglez le bouton de commande sur la position de "LOW" (Bas). Ensuite, réglez le bouton sur le niveau de chaleur désiré.

#### **Lorsque l'appareil est allumé (ON):**

La grille de l'émetteur deviendra rouge vif en raison de l'intensité de la chaleur. La couleur est plus visible la nuit.

Des flammes bleues et jaunes apparaîtront au niveau du brûleur. Ces flammes ne devraient pas être jaunes ni produire de fumée noire. En présence de fumée épaisse noire, le flux d'air à l'intérieur de la tubulure des brûleurs est bloqué. La flamme devrait être bleue avec des crêtes jaunes.

Si les flammes sont excessivement jaunes, éteignez l'appareil et consultez le Guide de Dépannage de la page 14.

#### **Rallumer l'appareil**

**Note:** Pour votre sécurité, le bouton de commande ne peut être placé sur "ON" (marche) sans tout d'abord maintenir enfoncé le bouton de commande sur la position "OFF" (arrêt) et ensuite le tourner sur "ON".

1. Réglez le robinet de gaz sur "OFF" (arrêt).
2. Attendez 5 minutes afin que le gaz se dissipe avant de rallumer la veilleuse.
3. Reprenez les étapes 2 et 3 de la section "Allumer l'appareil" de la page précédente.

#### **Éteindre l'appareil**

- 1 Fermez l'arrivée de gaz en réglant le bouton de commande sur "OFF". Normalement, le brûleur émettra un léger bruit lors de son extinction.
2. Fermez le robinet de gaz de la bouteille.
3. Retirez le panneau d'accès.
4. Dévissez le tuyau de gaz du régulateur.
5. Fermez le panneau d'accès.

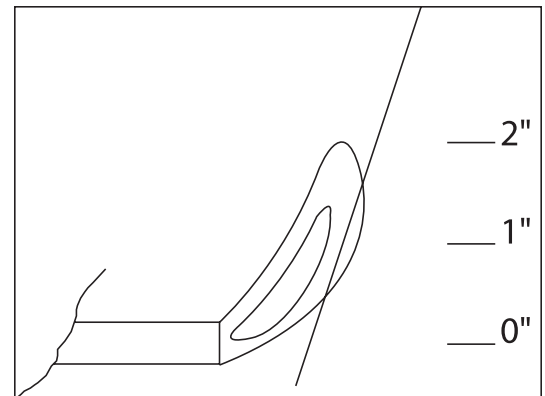
**Remarque:** Après utilisation, la grille de l'émetteur risque d'être un peu décolorée



#### **AVERTISSEMENTS**

##### **POUR VOTRE SÉCURITÉ:**

**Faites preuve de précaution lorsque vous tentez d'allumer manuellement ce radiateur extérieur. Si vous maintenez le bouton pressé pendant plus de 10 secondes avant d'allumer le gaz, cela provoquera une boule de feu lors de l'allumage.**



## **Vérifications à effectuer avant toute utilisation**

Pour votre sécurité et votre bien-être, veillez à toujours effectuer les vérifications suivantes à chaque fois avant d'utiliser le système de chauffage:

### **Avant d'allumer l'appareil**

- Je me suis familiarisé avec le manuel d'exploitation et je comprends toutes les consignes de sécurité de la section "La sécurité avant tout!"
- Toutes les pièces sont intactes et ont toutes été montées correctement.
- Aucune modification n'a été effectuée.
- Les conduites de gaz sont toutes fixées et ne présentent aucune fuite.
- La vitesse du vent est inférieure à 16 km/h
- La température extérieure est supérieure à 40°F (5°C).
- L'appareil est installé à l'extérieur (hors de tout édifice).
- La ventilation est bonne.
- L'appareil est loin de tout carburant, liquide et autres sources de vapeurs inflammables.
- L'appareil est loin de fenêtres, bouches d'air, arroseurs automatiques et autres sources d'eau.
- L'appareil se trouve au minimum à 91 cm de toute matière combustible.
- L'appareil se trouve sur une surface dure et à niveau.
- Il n'y a aucune trace de toiles d'araignées ou de nids d'insectes.
- Toutes les ouvertures des brûleurs sont propres.
- Tous les passages par où l'air circule sont propres.
- Les enfants, les animaux domestiques, les vêtements, les matières inflammables et autres articles risquant d'être endommagés par la chaleur rayonnante sont tous loin de l'appareil.
- Les enfants et les adultes à proximité savent que l'appareil génère des températures élevées et risquent de se brûler ou de voir leurs vêtements prendre feu.
- Les enfants et les adultes à proximité savent qu'ils ne faut pas toucher l'appareil pendant qu'il fonctionne et qu'il faut attendre qu'il ait refroidi pour le toucher.

### **Après toute utilisation**

- La commande de gaz est fermée ("OFF").
- La valve de la bonbonne de gaz est fermée ("OFF").
- Débranchez le tuyau de gaz.
- L'appareil a été remis debout à l'abri.



## Guide de dépannage

<u>Dans le cas suivant:</u>	<u>Problème:</u>	<u>Pour corriger le problème</u>
<b>La veilleuse ne s'allume pas</b>  <i>REMARQUE: L'appareil fonctionne à un rendement moindre en dessous de 40°F (5°C).</i>	La valve de la bonbonne de gaz est fermée.	Ouvrez la valve.
	Orifice ou tube de la veilleuse bouché.	Nettoyez/ remplacez l'orifice ou le tube de la veilleuse.
	Il y a de l'air dans la conduite de gaz.	Ouvrez et purgez la conduite de gaz (maintenir le bouton de commande enfoncé) pendant 1 à 2 minutes ou jusqu'à ce que vous sentiez une odeur de gaz
	La pression du gaz est basse même avec le robinet de gaz complètement ouvert	Réglez la valve de la bonbonne sur "OFF" et remplacez la bonbonne
	L'allumeur ne fonctionne pas.	Utilisez une allumette pour allumer la veilleuse. Procurez-vous un nouvel allumeur et remplacez-le.
<b>La veilleuse ne demeure pas allumée.</b>	Accumulation de saleté autour de la veilleuse.	Nettoyez la saleté autour de la veilleuse.
	Le raccord entre la valve du gaz et la veilleuse est desserré.	Serrez le raccord et déterminez si ce dernier présente une fuite.
	Le thermocouple est défectueux.	Remplacez le ODS.
<b>Le brûleur ne s'allume pas</b>	La pression de gaz est trop basse.	Réglez la valve de la bonbonne sur "OFF" et remplacez la bonbonne.
	L'orifice est bouché.	Débouchez l'orifice.
	Le bouton de commande n'est pas sur ON.	Réglez le bouton de commande sur "ON".
<b>La flamme du brûleur est basse</b>	La pression de gaz est trop basse.	Fermez la valve (OFF) et remplacez la bonbonne
	La température extérieure est inférieure à 40°F (5°C) et le réservoir n'est plein qu'au 1/4 de sa capacité.	Utilisez une bonbonne neuve.
	Le tuyau d'alimentation de gaz est plié ou tordu.	Dépliez le tuyau.
	Le bouton de commande est complètement ouvert (ON).	Vérifiez que le brûleur et les orifices ne sont pas bouchés.
<b>La lueur de l'émetteur n'est pas uniforme.</b> <i>Remarque: La partie inférieure de 2,5 cm de l'émetteur NE présente PAS de lueur.</i>	La pression du gaz est trop basse.	Fermez la valve de la bonbonne (OFF) et remplacez la bonbonne.
	Le socle n'est pas sur une surface à niveau. L'appareil est à niveau.	Placez l'appareil de chauffage sur une surface à niveau. Nettoyez le brûleur.
<b>Accumulation de carbone.</b>	Saleté ou film sur réflecteur et émetteur.	Nettoyez le réflecteur et l'émetteur.
<b>Fumée épaisse noire.</b>	Le brûleur est bouché.	Retirez l'obstacle et nettoyez l'intérieur et l'extérieur du brûleur.



## **AVERTISSEMENT**

### **POUR VOTRE SECURITE:**

- **NE PAS toucher ni déplacer l'appareil pendant au moins 45 minutes après l'avoir éteint.**
- **Le dôme est chaud au toucher.**
- **Laisser le dôme refroidir avant de le toucher.**

## **Entretien**

Afin que votre système de chauffage puisse fonctionner à plein rendement pendant de longues années, procédez régulièrement à l'entretien de l'appareil:

Veillez à ce que les surfaces extérieures demeurent propres.

Utilisez de l'eau savonneuse tiède pour nettoyer. N'utilisez jamais des produits de nettoyage inflammables ou corrosifs.

Lorsque vous nettoyez l'appareil, assurez-vous que la zone autour du brûleur et de la veilleuse demeure toujours sèche. Si la commande de gaz est submergée dans de l'eau, NE PAS l'utiliser. Elle devra être remplacée.

Rien ne doit gêner le flux d'air. Veillez à ce que les commandes, le brûleur, et les ouvertures permettant la circulation de l'air demeurent propres. Les indices permettant de déterminer qu'il existe un obstacle sont les suivants:

Il existe une odeur de gaz et la crête de la flamme est extrêmement jaune.

L'appareil n'atteint PAS la température désirée.

La lueur de l'appareil n'est pas du tout uniforme.

L'appareil émet des bruits.

Les araignées et les insectes peuvent s'introduire dans le brûleur et les orifices de l'appareil. Ces obstacles risquent de provoquer des problèmes et de présenter un danger lors de l'utilisation de l'appareil. Nettoyez les ouvertures du brûleur en utilisant un déboureur-pipe. Il est possible d'utiliser de l'air comprimé afin de déloger les petites particules.

Les résidus de carbone risquent de provoquer un incendie. Nettoyez le dôme et le moteur avec de l'eau tiède savonneuse pour nettoyer des résidus de carbone.

*Remarque:* dans une atmosphère saline (à proximité de la mer), les traces de rouille apparaissent plus vite qu'à la normale. Vérifiez régulièrement que l'appareil ne présente pas de points de rouille et réparez-les rapidement si nécessaire.

### **CONSEIL:**

Utilisez un lustrant automobile afin que l'appareil de chauffage conserve son brillant. Appliquez le produit sur les surfaces extérieures du montant (pôle) vers le bas. N'appliquez pas de produit de lustrage sur la grille de l'émetteur ni sur le dôme.

## **Rangement**

### **Entre chaque utilisation:**

Réglez le bouton de commande sur "OFF" (arrêt).

Débranchez la bonbonne de gaz.

Remisez l'appareil en le plaçant debout à l'abri des intempéries (la pluie, la pluie verglaçante, la grêle, la neige, la poussière et autres débris).

Si vous le souhaitez, recouvrez l'appareil afin de protéger les surfaces extérieures.

*Remarque:* attendez que l'appareil ait refroidi avant de le couvrir.

### **Si vous ne comptez pas utiliser l'appareil pendant une longue période ou lors de son transport:**

Réglez le bouton de commande sur "OFF" (arrêt).

Débranchez la bonbonne de propane et placez-la à l'extérieur dans un endroit bien aéré.

Remisez l'appareil en le plaçant debout à l'abri des intempéries (la pluie, la pluie verglaçante, la grêle, la neige, la poussière et autres débris).

Si vous le souhaitez, recouvrez l'appareil afin de protéger les surfaces extérieures.

Ne laissez jamais une bouteille de propane en plein soleil ou en contact direct avec une chaleur excessive.

*Remarque:* attendez que l'appareil ait refroidi avant de le couvrir.

## **Service après-vente**

Pour toute assistance afin de vous procurer des pièces de rechange ou afin de pouvoir réparer des pièces endommagées ou défectueuses, composez le 1-800-762-1142 ou contactez notre service à la clientèle par courrier électronique à [CustomerService@BlueRhino.com](mailto:CustomerService@BlueRhino.com). Veuillez fournir le numéro du modèle et son numéro de série. Ces numéros se trouvent sur la plaque signalétique à l'intérieur de l'appareil.

***Attention: Utilisez uniquement des pièces de rechange d'origine. Le non-respect de cette consigne ainsi que toute modification des pièces risque d'annuler la garantie et de créer des conditions dangereuses.***

***Attention: Laissez l'appareil refroidir avant de procéder à son entretien ou à sa réparation.***



### **AVERTISSEMENT** **POUR VOTRE SÉCURITÉ**

*Ne tentez jamais de remplir une bouteille de gaz jetable. Vous risquez de provoquer une explosion. Pour éliminer la bouteille, contactez le centre d'évacuation et d'élimination des ordures et des déchets le plus proche ou votre centre de recyclage.*

***Ne pas perforer ni incinérer.***

## GARANTIE LIMITÉE

La société Blue Rhino Sourcing, LLC (« le fabricant ») garantit ce système/appareil de chauffage au premier acheteur et à aucune autre personne, contre tout vice de fabrication et matériau de fabrication défectueux pendant deux (2) an à partir de la date d'achat si l'appareil est monté et utilisé conformément aux instructions imprimées fournies. Le fabricant vous demandera sans doute une preuve raisonnable d'achat, veuillez donc conserver votre facture ou votre reçu. Cette garantie limitée se limitera à la réparation ou au remplacement de pièces ayant été déterminées défectueuses par le fabricant lors de conditions d'utilisation et d'entretien normales. Avant de renvoyer une pièce, contactez le service à la clientèle du fabricant (Customer Service Department) à l'adresse ci-dessous. Si le fabricant confirme le défaut de fabrication comme étant couvert par la garantie et approuve la réclamation, ce dernier remplacera gratuitement les dites pièces. Si vous devez renvoyer des pièces défectueuses, les pièces devront être expédiées port-payé. Le fabricant s'engage à renvoyer les pièces à l'acheteur initial port-payé

Cette garantie limitée ne couvre pas les pannes et dysfonctionnements survenant suite à tout accident, mauvais usage, entretien incorrect de ce système/appareil de chauffage, ou toute modification, mauvaise installation ou négligence. Cette garantie limitée ne couvre pas non plus les dommages survenant lors du transport, le réglage normal du brûleur, ni les dommages ou les réparations liées aux insectes, oiseaux ou animaux quels qu'ils soient ni les dommages liés aux conditions météorologiques comme il a été établi dans ce manuel. De plus, cette garantie limitée ne couvre pas le fini, à savoir les rayures, les bosses, les traces de décoloration, de rouille ou les dommages résultant des intempéries après achat de l'appareil.

Cette garantie remplace toute autre garantie expresse et il n'existe aucune autre garantie expresse à l'exception de la couverture indiquée ici. Le fabricant désavoue toute garantie couvrant des produits ayant été achetés auprès de revendeurs autres que les revendeurs et distributeurs agréés. **APRÈS DEUX (2) AN, À SAVOIR LA DURÉE DE LA COUVERTURE DE LA GARANTIE EXPRESSE, LE FABRICANT DÉSAVOUE ET DÉCLINE TOUTE GARANTIE IMPLICITE Y COMPRIS TOUTE garantie de commerciabilité et d'adaptation à un usage particulier. DE PLUS, LE FABRICANT NE POURRA ÊTRE TENU responsable PAR L'ACHETEUR OU UN TIERS POUR TOUS DÉGÂTS ET DOMMAGES PARTICULIERS, INDIRECTS, PUNITIFS OU CONSÉCUTIFS.** Le fabricant décline toute responsabilité en cas de panne ou dysfonctionnement résultant d'une modification ou altération effectuée par un tiers. Cette garantie limitée octroie des droits juridiques spécifiques à l'acheteur et il est possible que ce dernier en possède d'autres selon sa localité. Certaines juridictions ne permettent pas l'exclusion ni la limitation de dommages consécutifs ou accessoires et ces limitations peuvent ne pas vous être applicables. Le fabricant ne permet en aucun cas à une personne ou à une société de s'attribuer les responsabilités et les obligations liées à la vente, l'installation, l'utilisation, la dépose ou le remplacement de cet appareil, et aucune de ces représentations n'engage la responsabilité du fabricant.

Blue Rhino Global Sourcing, LLC  
104 Cambridge Plaza Drive  
Winston-Salem, North Carolina 27104, États-Unis  
Téléphone (800) 762-1142  
Télécopie 24h par jour: (336) 659-6743  
CustomerService@BlueRhino.com

## **Caractéristiques techniques**

### **Certifications**

Certification internationale ACNOR (CSA 5.90)  
Norme CAN 1-2.23-M82 (Canadian National Standard)

### **Puissance:**

Débit calorifique maximum: 11,000 BTU/heure

### **Périmètre chauffé:**

Jusqu'à 6 mètres de diamètre.

### **Carburant:**

Propane liquide (gaz LP)

### **Type de bonbonne:**

20 lbs / 5 galons (9 kg / 18,9 litres)  
OU  
14.1 oz. (400 grammes)  
16.4 oz. (465 grammes)

### **Pression du gaz d'alimentation:**

Maximum – 150 PSI  
Minimum – 5 PSI

### **Pression: collecteur et tubulure:**

11 po. (279 mm) CE.

### **Pression d'alimentation:**

0.41 psig (11.00 po./27,9 cm dans CE)

### **Moteur:**

IPP E8

### **Dispositif de sécurité:**

Extinction à 100% des brûleurs  
Contacteur d'arrêt en cas d'inclinaison

### **Fabricant:**

Blue Rhino Global Sourcing, LLC

### **Lieu de fabrication:**

Chine



**Pour toute assistance appeler le 1-800-762-1142  
Ne pas retourner cet appareil au point de vente.**

**Endless Summer** 

---

Blue Rhino Global Sourcing, LLC  
A wholly owned subsidiary of Blue Rhino Corporation (NASDAQ-RINO)  
104 Cambridge Plaza Drive, Winston-Salem, NC 27104 USA  
1.800.762.1142, [www.bluerhino.com](http://www.bluerhino.com)

© 2003 CPD Associates, All Rights Reserved  
Made in China

Blue Rhino Global Sourcing, LLC  
Une filiale appartenant en propriété exclusive à Blue Rhino Corporation  
(NASDAQ-RINO)  
104 Cambridge Plaza Drive, Winston-Salem, NC 27104 ETATS-UNIS  
1.800.762.1142, [www.bluerhino.com](http://www.bluerhino.com)

© 2003 CPD Associates, Tous droits réservés  
Fabriqué en Chine

92000-OM-102 EF



## Free Manuals Download Website

<http://myh66.com>

<http://usermanuals.us>

<http://www.somanuals.com>

<http://www.4manuals.cc>

<http://www.manual-lib.com>

<http://www.404manual.com>

<http://www.luxmanual.com>

<http://aubethermostatmanual.com>

Golf course search by state

<http://golfingnear.com>

Email search by domain

<http://emailbydomain.com>

Auto manuals search

<http://auto.somanuals.com>

TV manuals search

<http://tv.somanuals.com>