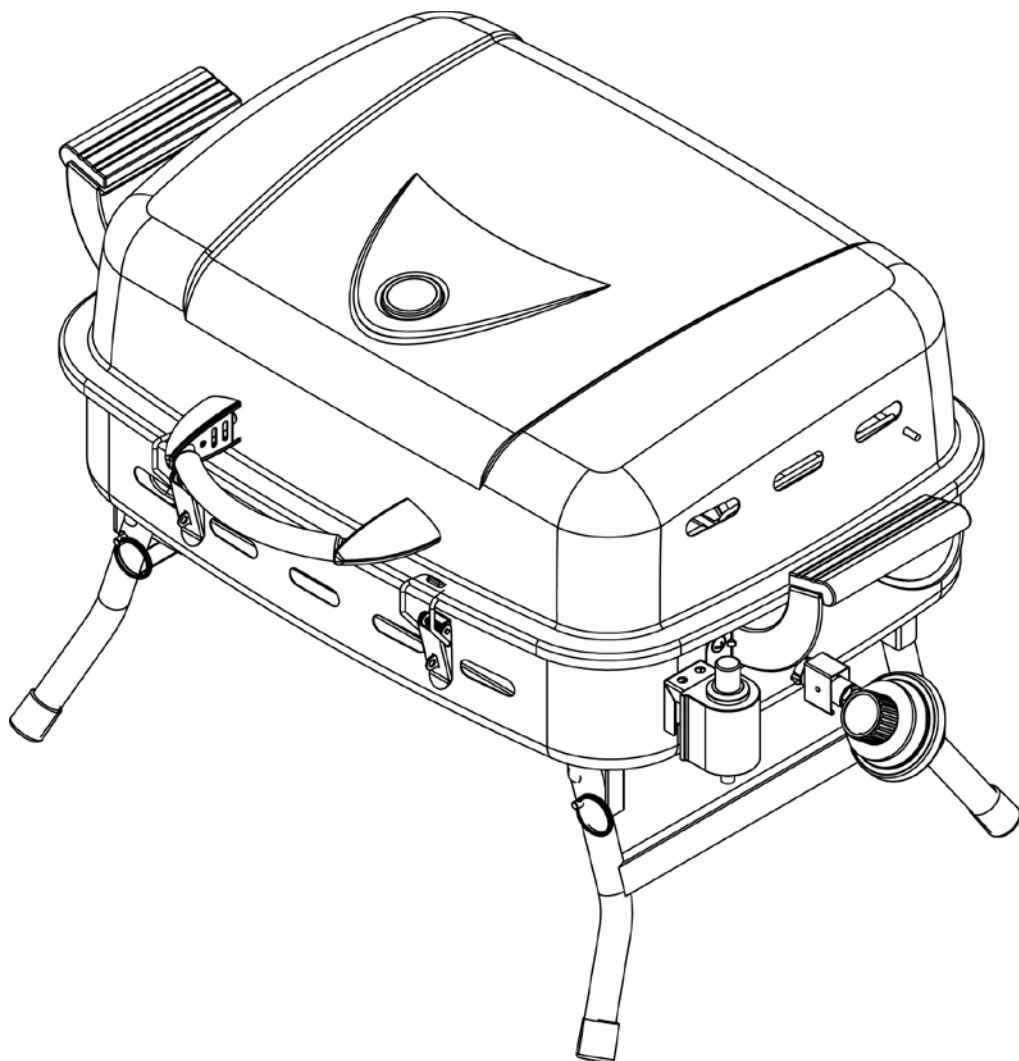


Outdoor LP Gas Barbecue Grill

Model No. HBT722W-C



WARNING
FOR YOUR SAFETY:
For Outdoor Use Only
(outside any enclosure)

WARNING
FOR YOUR SAFETY:

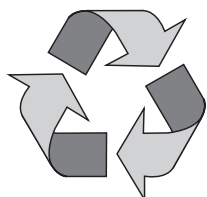
1. Improper installation, adjustment, alteration, service or maintenance can cause injury or property damage.
2. Read the installation, operation, and maintenance instructions thoroughly before installing or servicing this equipment.
3. Failure to follow these instructions could result in fire or explosion, which could cause property damage, personal injury, or death.

Save these instructions for future reference. If you are assembling this unit for someone else, give this manual to him or her to read and save for future reference.

Table of Contents

Important Safeguards	Page 2
Exploded View & Hardware	3
Assembly Instructions	4
Operating Instructions	7
Checking for Leaks	7
First Use	7
Lighting	7
Turning Off	7
Cooking	7
Tips	7
Using Charcoal	7
Cleaning and Care	8
Product Registration	8
Limited Warranty	8
Troubleshooting	8

The use and installation of this product must conform to local codes. In absence of local codes, use the *National Fuel Gas Code, ANSI Z223.1/NFPA 54, CAN/CGA-B149.1, Natural Gas and Propane Installation Code.*



Made from 70% Bagasse
(Environmentally Friendly Sugar
Cane Pulp By-product)



Manufactured in China for:
Blue Rhino Global Sourcing, LLC
Winston-Salem, NC USA
1.800.762.1142, www.bluerhino.com

© 2007 Blue Rhino Global Sourcing, LLC. All Rights Reserved
UniFlame® is a Registered Trademark of Blue Rhino Global Sourcing, LLC.. All Rights Reserved.



WARNING
FOR YOUR SAFETY

If you smell gas -

1. Shut off gas to appliance.
2. Extinguish any open flame.
3. Open lid.
4. If odor continues, keep away from the appliance and immediately call your gas supplier or your fire department.

WARNING
FOR YOUR SAFETY

1. Do not store spare LP cylinder within 10 feet (3.05 m) of this appliance.
2. Do not store or use gasoline or other liquids with flammable vapors within 25 feet (7.62 m) of this or any other appliance.
3. An LP cylinder not connected for use shall not be stored in the vicinity of this or any other appliance.

▲ DANGER: Failure to follow the dangers, warning and cautions in this manual may result in serious bodily injury or death, or in a fire or an explosion causing damage to property.

▲ WARNING:

- ▲ This grill is for outdoor use only, and shall not be used in a building, garage, or any other enclosed area.
- ▲ This grill is NOT for commercial use.
- ▲ This is not a tabletop grill. Therefore, do not operate this grill on any type of tabletop surface
- ▲ This grill is for use with liquid propane (LP) gas only. The conversion to or attempted use of natural gas in this LP gas grill is dangerous and will void your warranty.
- LP gas Characteristics:
 - a. LP gas is flammable and hazardous if handled improperly. Become aware of the characteristics before using any LP gas product.
 - b. LP gas is explosive under pressure, heavier than air, and settles and pools in low areas.
 - c. LP gas in its natural state has no odor. For your safety, an odorant is added that smells like rotten cabbage.
 - d. Contact with LP gas can cause freeze burns to skin.
- ▲ LP gas tank needed to operate. Only tanks marked "propane" may be used.
- ▲ The LP gas supply tank must be constructed and marked in accordance with the *Specifications for LP gas Cylinders of the U.S. Department of Transportation (DOT) or the National Standard of Canada, CAN/CSA-B339, Cylinders, Spheres and Tubes for the Transportation of Dangerous Goods; and Commission.*
- ▲ LP gas tank must be arranged for vapor withdrawal.
- ▲ Dented or rusted LP gas tanks may be hazardous and should be checked by your LP gas supplier prior to use.
- ▲ The LP gas tank should not be dropped or handled roughly.
- ▲ LP gas tanks must be stored outdoors out of the reach of children and must not be stored in a building, garage, or any other enclosed area. Your tank must never be stored where temperatures can reach over 125°F.
- ▲ Never attempt to attach this grill to the self-contained LP gas system of a camper trailer, motor home, or house.
- ▲ The use of alcohol, or prescription or non-prescription drugs may impair the consumer's ability to properly assemble or safely operate the appliance.
- ▲ Never use charcoal, lighter fluid, lava rocks, gasoline, kerosene, or alcohol with this product.
- ▲ Your grill has been checked at all factory connections for leaks. Recheck all connections, as movement in shipping can loosen connections.
- ▲ Check for leaks even if your unit was assembled for you by someone else.
- ▲ Do not operate if gas leak is present. Gas leaks may cause a fire or explosion.
- ▲ You must follow all leak-checking procedures before operating. To prevent fire or explosion hazard when testing for a leak:
 - a. Always perform leak test before lighting the grill and each time the tank is connected for use.
 - b. No smoking. Do not use or permit sources of ignition in the area while conducting a leak test.
 - c. Conduct the leak test outdoors in a well-ventilated area.
 - d. Do not use matches, lighters, or a flame to check for leaks.
 - e. Do not use grill until any and all leaks are corrected.If you are unable to stop a leak, disconnect the LP gas supply. Call our customer care, gas appliance serviceman or your local LP gas supplier.
- ▲ Do not use in an explosive atmosphere. Keep grill area clear and free from combustible materials, gasoline and other flammable vapors and liquids.
- ▲ Keep all combustible items and surfaces at least 21 inches (53 cm) away from the grill at all times. DO NOT use this grill or any gas product under any overhead or near any unprotected combustible constructions.
- ▲ It is essential to keep the grill's valve compartment, burners, and circulating air passages clean. Inspect grill before each use.
- ▲ Do not alter grill in any manner.

- ▲ Do not use the grill unless it is COMPLETELY assembled and all parts are securely fastened and tightened.
- ▲ This grill should be thoroughly cleaned and inspected on a regular basis.
- ▲ Use only the regulator provided. Any replacement regulator shall be specified by the manufacturer.
- ▲ Use only Blue Rhino Global Sourcing, LLC. factory authorized parts. The use of any part that is not factory authorized can be dangerous. This will also void your warranty.
- ▲ Do not use this appliance without reading "Operating Instructions" in this manual.
- ▲ Do not touch metal parts of grill until it has completely cooled (about 45 min.) to avoid burns, unless you are wearing protective gear (pot holders, gloves, BBQ mittens, etc.).
- ▲ Do not install or use in or on boats or recreational vehicles.
- ▲ When cooking, fire extinguishing materials shall be readily accessible. In the event of an oil grease fire, do not attempt to extinguish with water. Use type BC dry chemical fire extinguisher or smother with dirt, sand or baking soda.
- ▲ Do not use grill in high winds.
- ▲ Never lean over the grill when lighting.
- ▲ Do not leave a lit grill unattended, especially keep children and pets away from grill at all times.
- ▲ Do not attempt to move grill when in use. Allow the grill to cool before moving or storing.
- ▲ Storage of grill indoors is permissible only if the tank is disconnected, removed from the grill and properly stored outdoors.
- ▲ While wearing a protective glove or mit, open grill lid carefully and slowly as heat and steam trapped within grill can severely burn you.
- ▲ Do not attempt to disconnect the gas regulator from the tank or any gas fitting while the grill is in use.
- ▲ Disconnect cylinder when not in use.
- ▲ Always use your grill on a hard, non-combustible level surface. An asphalt or blacktop surface may not be acceptable for this purpose.
- ▲ Do not use directly on wooden decks.
- ▲ Keep all electrical cords away from a hot grill.
- ▲ Do not use grill for indoor cooking or heating. TOXIC fumes can accumulate and cause asphyxiation.
- ▲ After a period of storage and/or nonuse, check for leaks, and burner obstructions.
- ▲ Failure to open lid while igniting the grill's burner, or not waiting 5 minutes to allow the gas to clear if the grill does not light, may result in an explosive flame-up.
- ▲ If grill is not in use, the gas must be turned off at the supply tank.
- ▲ Never operate grill without heat plate installed.
- ▲ Always use a meat thermometer to ensure food is cooked to a safe temperature.
- ▲ Do not store a spare LP gas tank under or near this appliance.
- ▲ Please use protective gloves when assembling this product.
- ▲ Do not force parts together as this can result in personal injury or damage to the product.
- ▲ Never cover entire cooking area with aluminum foil.
- ▲ Deaths, serious injury or damage to property may occur if the above is not followed exactly.

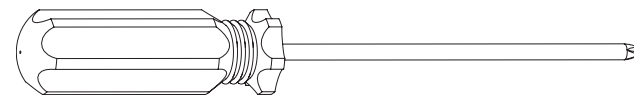
Contact 1.800.762.1142 for assistance. Do not return to place of purchase.

Parts List			Exploded View
1	Warming Rack	55-07-235	
2	Cooking Grid	55-07-215	
3	Lid Handle Assebly	55-07-224	
4	Hybrid Heat Plate	55-07-220	
5	Temperature Gauge	55-07-233	
6	Lid	55-07-234	
7	Igniter Wire	55-15-060	
8	Burner	55-07-214	
9	Electrode	55-15-295	
10	Top Hinge (2)	55-15-330	
11	Side Handle (2)	55-07-232	
12	Bottom Hinge (2)	55-15-329	
13	Hybrid Heat Plate Support (2)	55-14-989	
14	Bottom Bowl	55-07-213	
15	Lock (2)	55-07-225	
16	Igniter Assembly	55-07-731	
17	Left Leg	55-07-223	
18	Right Leg	55-07-230	
19	Wind Guard	55-07-238	
20	Regulator/Control Valve	55-14-986	

Hardware			
A	Screw	M5x15 Nickel Plated Phillips Truss Head	4 pcs
B	Screw	M6x12 Nickel Plated Phillips Truss Head	4 pcs
C	Wing Nut	M5 Nickel Plated	6 pcs
D	Wing Nut	M6 Nickel Plated	4 pcs
E	Wing Bolt	M6x8 Nickel Plated	2 pcs
F	Washer	ø5.3 Nickel Plated	6 pcs
G	Washer	ø6.4 Nickel Plated	5 pcs
H	Washer	ø6xø18 Heat Resistant	6 pcs
I	Washer	ø6xø22 Heat Resistant	1 pc
J	Lock Washer	ø5.3 Nickel Plated	6 pcs
K	Lock Washer	ø6.4 Nickel Plated	5 pcs
L	Pin	ø5 x 32 Zinc Plated	2 pcs
M	Cotter Pin	ø1.4 x 30 Steel	2 pcs

Tools Required for Assembly (Not Included)

#2 Phillips Head Screwdriver



Assembly Instructions

1 DO NOT RETURN PRODUCT TO STORE.

For assistance call **1.800.762.1142** toll free. Please have your owner's manual and serial number available for reference.

For Easiest Assembly:

- To avoid losing any small components or hardware, assemble your product on a hard level surface that does not have cracks or openings.
- Clear an area large enough to layout all components and hardware.
- When applicable, tighten all hardware connections by hand first. Once the step is completed go back and fully tighten all hardware.
- Follow all steps in order to properly assemble your product.

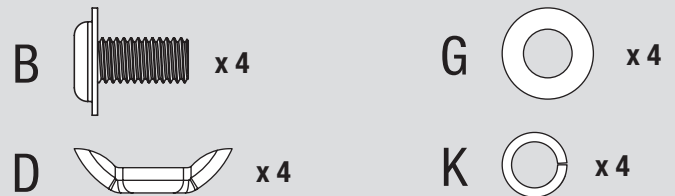
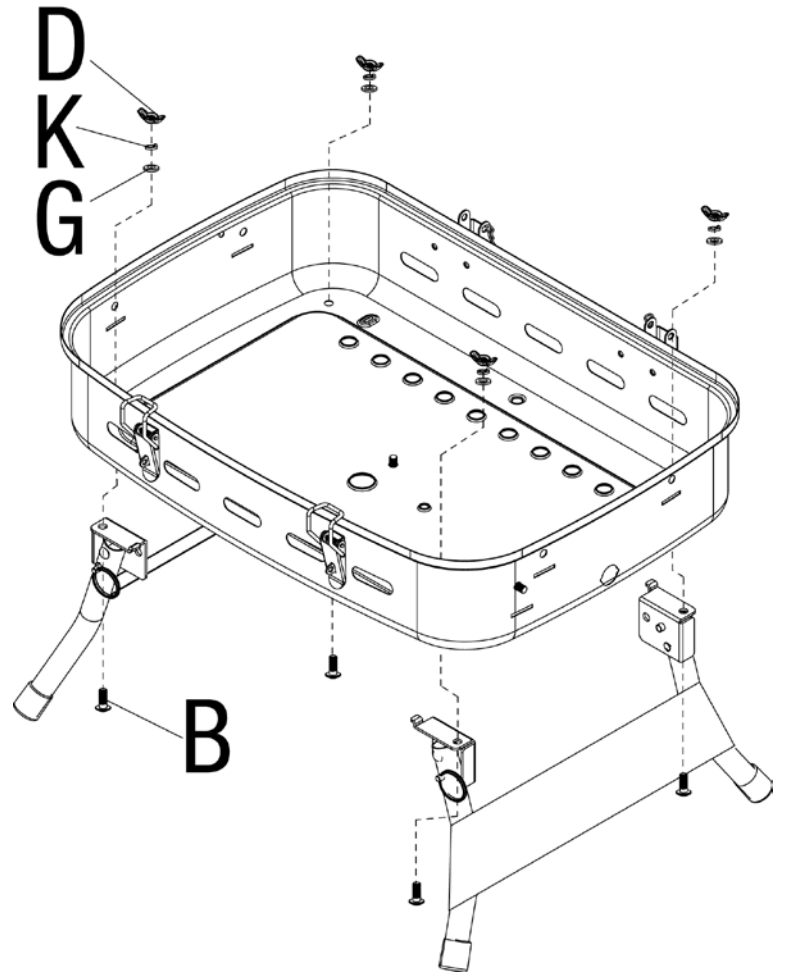
To complete assembly you will need:

- (1) Leak Detection Solution (Instructions on how to make solution are included in "Operating Instructions" section)
- (1) 14.1 oz or (1) 16.4 oz LP gas tank.

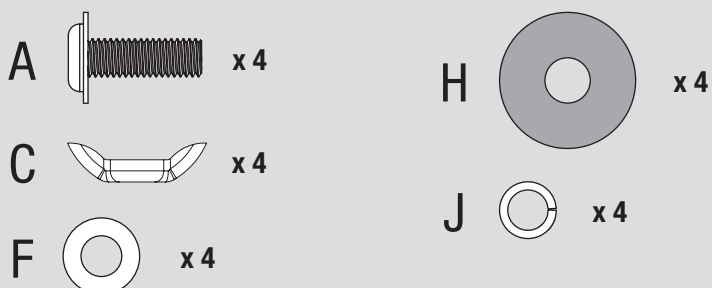
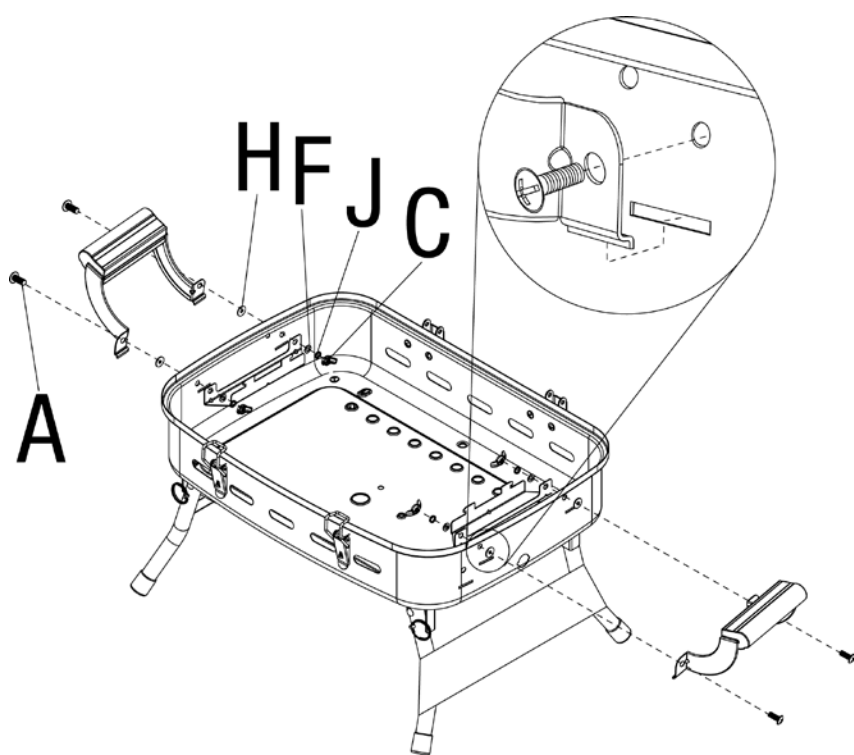
Note: You must follow all steps to properly assemble grill.

Typical assembly: approximately 30 minutes.

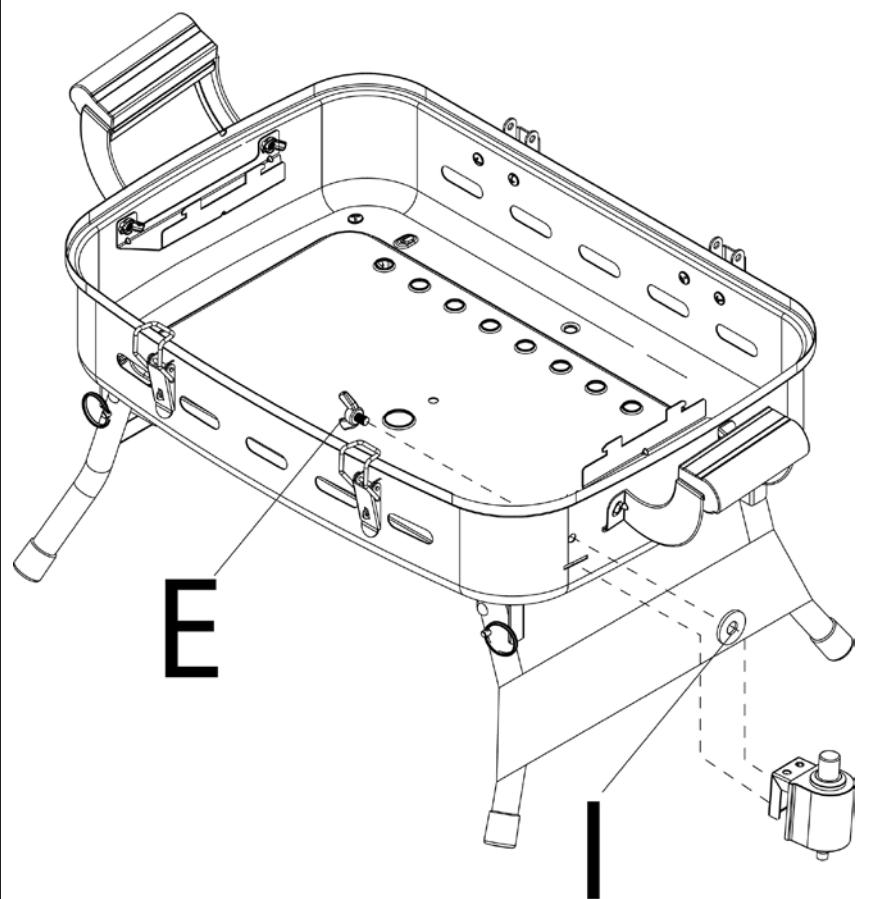
2 Attach Left and Right Legs



3 Attach Side Handles, Heat Plate Support

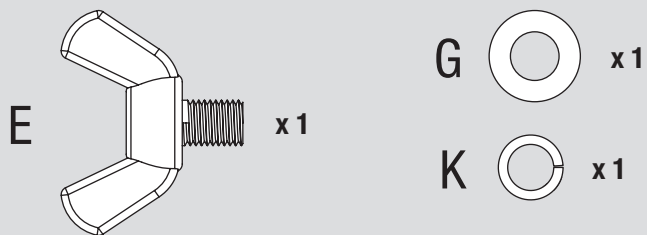
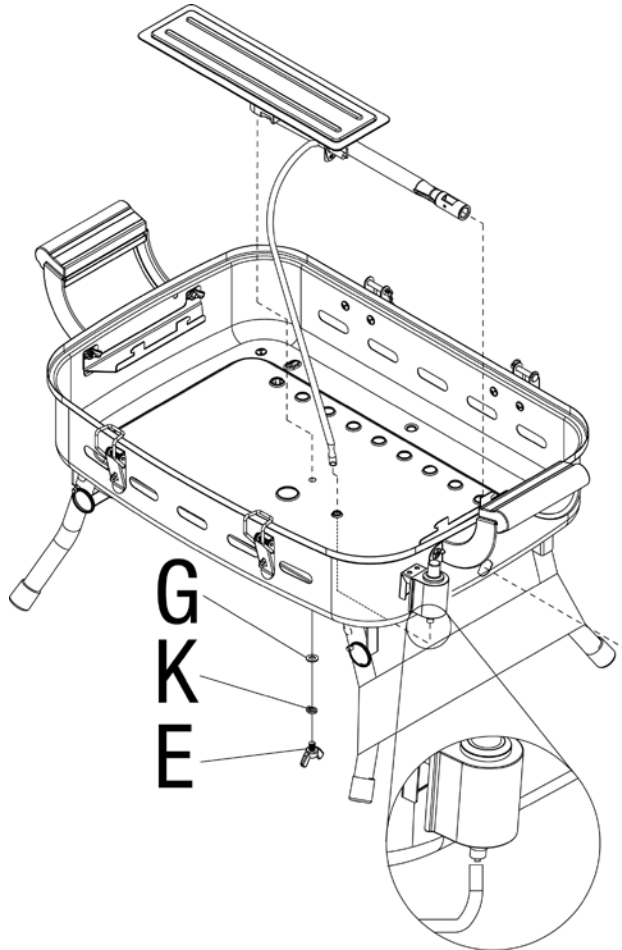


4 Attach Igniter Button Assembly

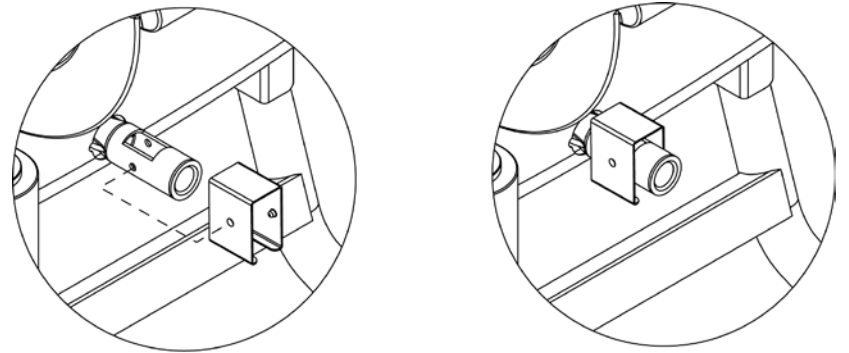


Contact 1.800.762.1142 for assistance. Do not return to place of purchase.

5 Attach Burner and Igniter Wire



6 Attach Wind Guard

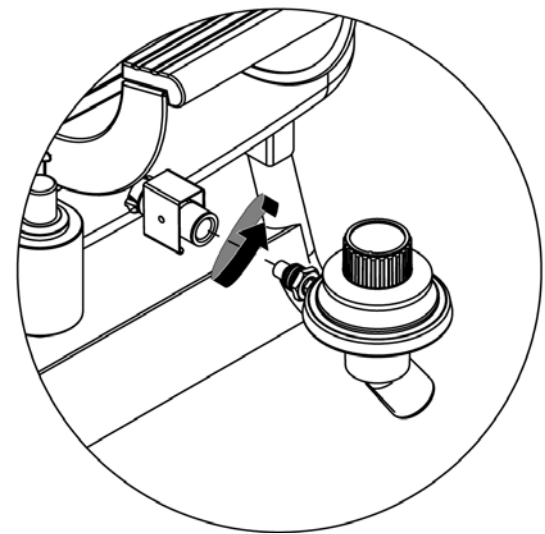


1

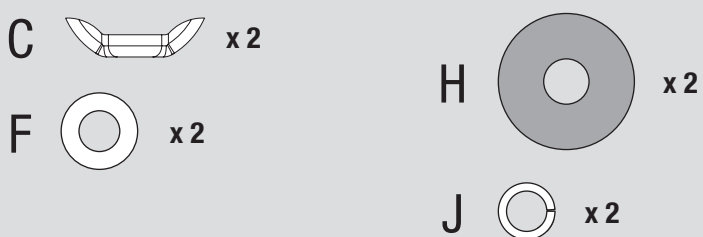
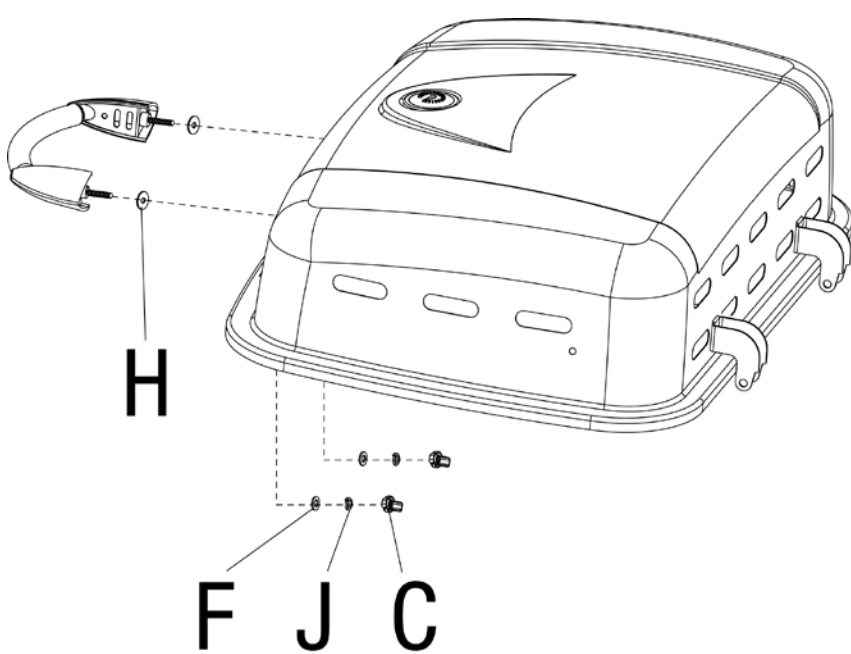
2

Attach Regulator/Control Valve

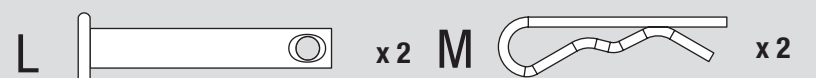
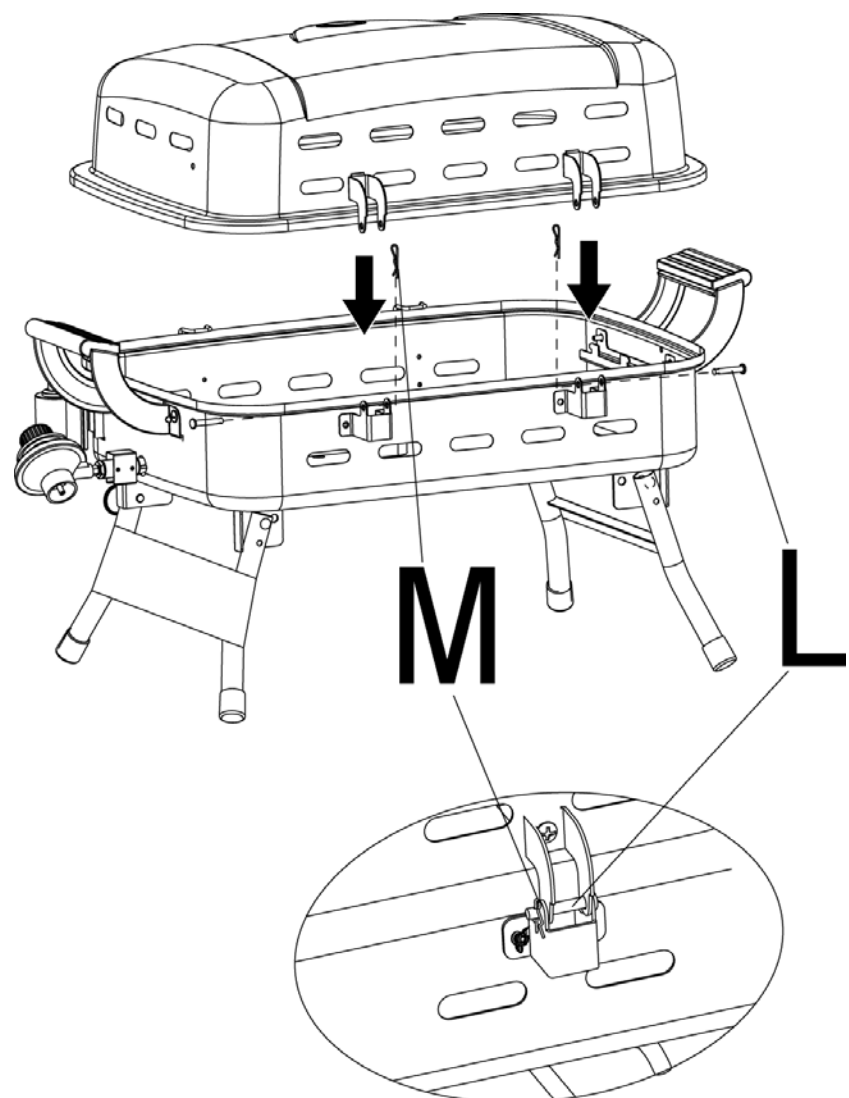
Note: Once attached, the regulator/control valve will freely rotate to accommodate for the LP gas tank.



7 Attach Lid Handle Assembly



8 Attach Lid



Assembly Instructions (continued)

9 **Insert Warming Rack**

A line drawing of the UniFlame outdoor LP gas barbecue grill with its lid open. A warming rack is shown being lowered into the lid. Dashed lines indicate the path of the rack as it is inserted into the lid's interior.

10 **Insert Hybrid Heat Plate**

A line drawing of the grill with the lid open. A hybrid heat plate is being inserted into the grill's body. A circular inset provides a magnified view of the heat plate being pushed into a slot within the grill's body.

Insert Cooking Grid

A line drawing of the grill with the lid open. A cooking grid is being inserted into the grill's body. A large black arrow points downwards from the grid into the grill's body.

11 **Lock Lid**

Three circular diagrams illustrating the steps to lock the lid. The first shows the lid handle in its open position. The second shows the handle being rotated downwards. The third shows the handle fully locked in the closed position.

12 **Fold Up Legs**

Note: Always lock lid before folding legs.

Three circular diagrams illustrating the steps to fold up the legs. The first shows a leg being rotated upwards. The second shows the leg being rotated further. The third shows the leg fully folded up and secured.

Unlock Lid

Three circular diagrams illustrating the steps to unlock the lid. The first shows the lid handle in its closed position. The second shows the handle being rotated upwards. The third shows the handle fully unlocked and in its open position.

Unfold Legs

Note: Always open legs completely and are secured in place before lighting.

Three circular diagrams illustrating the steps to unfold the legs. The first shows a leg being rotated downwards. The second shows the leg being rotated further. The third shows the leg fully unfolded and secured.

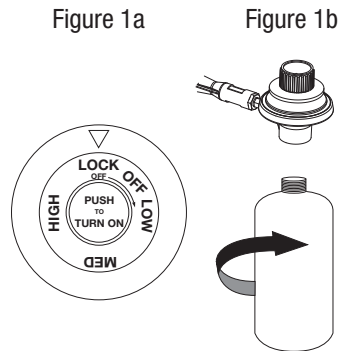
Operating Instructions

This grill is designed to operate with a one pound 7-3/8" high disposable / 16.4 oz. or 14.1 oz. propane gas tank (DOT 39 Cylinder).

DO NOT ATTEMPT TO REFILL ANY ONE POUND (16.4 oz. or 14.1 oz.) PROPANE GAS TANKS!

Connecting Gas Tank

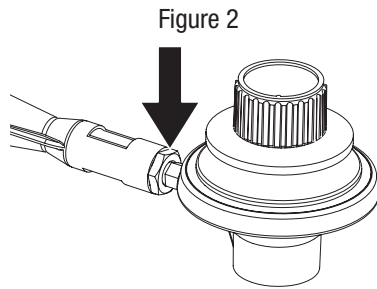
1. Make sure the regulator/control valve is in the "LOCK OFF" position. (Figure 1a)
2. Lubricate the threads of the regulator valve with petroleum jelly, insert the gas tank into the regulator valve and hand-tighten firmly. (Figure 1b)
3. Test for leaks



Checking for Leaks

Burner Connection

1. Make sure the control valve is securely fastened to the burner. (Figure 2)
If your unit was assembled for you, visually check the connection between the burner and control valve.

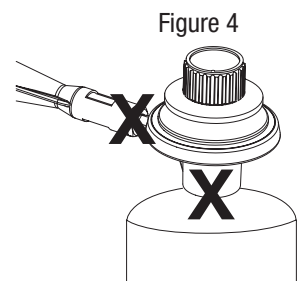
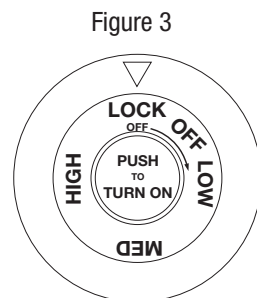


⚠ WARNING: Failure to inspect this connection or follow these instructions could cause a fire or an explosion which can cause death, serious bodily injury, or damage to property.

2. If the burner pipe does not rest flush to the control valve, please contact 1.800.762.1142 for assistance.

Regulator / 1# LP Gas Tank Connection

1. Make 2-3 oz. of leak solution by mixing one part liquid dishwashing soap with three parts water.
2. Make sure control knob is "OFF". (Figure 3)
3. Spoon several drops of solution, or use squirt bottle, at the LP gas tank to regulator connection. (Figure 4)
4. Inspect the solution at the connection, looking for bubbles.



If NO bubbles appear, the connections are secure.

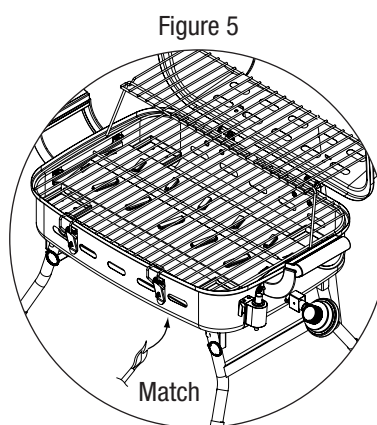
If bubbles appear, you have a leak.

- a. Loosen and retighten this connection, making sure the connection is secure.
- b. Retest with solution.

If you continue to see bubbles after several attempts, disconnect propane source and contact 1.800.762.1142 for assistance.

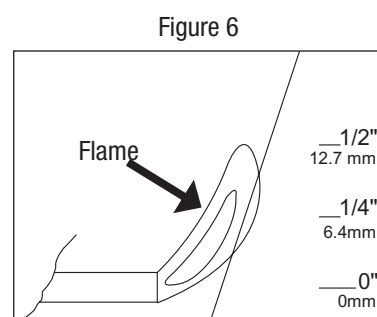
First Use

1. Make sure all labels, packaging and protective films have been removed from the grill.
2. Remove manufacturing oils before cooking on this grill for the first time, by operating the grill for at least 15 minutes on "HIGH" with the lid closed. This will "heat clean" the internal parts and dissipate odors.



Lighting

1. Make sure all labels, packaging and protective films have been removed from the grill.
2. Open lid. **Attempting to light the burner with the lid closed may cause an explosion!**
3. Make sure there are no obstructions of airflow to the gas unit. Spiders and insects can nest within and clog the burner / venturi tube at the orifice.
⚠ A clogged burner tube can lead to a fire beneath the appliance.
4. Control knob must be in the "LOCK OFF" position. (Figure 4)
5. Turn the control knob to "HIGH"
6. Press the Igniter button repeatedly to light burner.
7. If ignition does not occur in 5 seconds, turn burner control knob OFF, wait 5 minutes and repeat lighting procedure.
8. If igniter does not light burner, use a lit match secured with the lighting rod provided to light burners manually. Access the burner through the hole in bottom bowl as indicated. (Figure 5 and 6)
9. Turn the grill to "LOW", and position the lit match near side of the burner.



Important: Always use the lighting rod provided when lighting burners with a match.

10. After lighting, observe the burner flame. Make sure all burner ports are lit and flame height matches illustration. (Figure 7)

⚠ Caution: If burner flame goes out during operation, immediately turn the gas "OFF" and open lid to let the gas clear for about 5 minutes before re-lighting.

Turning Off

1. Turn control knob to the "LOCK OFF" position.
2. Remove LP gas tank and properly store tank.

Cooking

1. Open lid and ignite burner per lighting instructions.
2. Close lid and preheat grill on "HIGH".
3. Wear protective gloves and use long handle tongs to place food onto cooking grids above the lit burners.
4. Adjust controls to desired temperature.
5. With lid open or closed, cook until desired internal food temperatures are achieved.
6. Turn grill "OFF" by turning control knob to the "LOCK OFF" position. Remove LP gas tank and properly store tank.

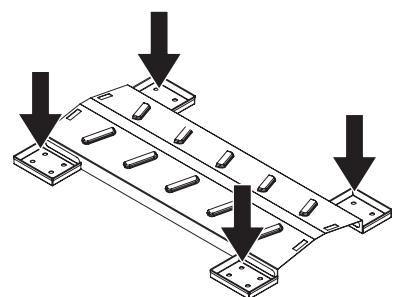
Tips for Better Cookouts and Longer Grill Life

1. For food safety tips visit: http://www.fsis.usda.gov/Fact_Sheets/Barbecue_Food_Safety/
2. Use the upper cooking grid (warming rack) for keeping cooked food warm, toasting breads or cooking delicate foods in aluminum foil pouches.
3. To keep food from sticking to the grids, spray or coat with cooking oil before lighting.
4. To reduce flare-up keep grill clean, use lean cuts of meat (or trim fat) and avoid cooking on very high temperatures.
5. Place delicate foods like fish and vegetables in aluminum foil pouches and place on upper cooking levels (warming rack).
6. To avoid losing natural juices, use long handled tongs or spatulas instead of forks and turn foods over just once during cooking.
7. Enhance food flavors by using wood chips in smoker boxes or aluminum foil pouches. Follow the wood manufacturer's instructions.
8. Clean cooking grids and racks after every use with a quality grill brush designed for your grid material. Wear protective gloves and gently remove the build-up while grids are hot.
9. After every use, allow grill to cool. Then protect clean cooking grids with a light coat of cooking oil, empty grease pan (if included), wipe outside surfaces with a suitable kitchen cleaner and store in a cool dry place.
10. Visit websites like www.bluerhino.com, watch barbecue themed TV shows or purchase related barbecue cookbooks to learn more interesting tips.

Using Charcoal

- ⚠ WARNING: This is not a charcoal grill. It is a LP gas grill designed to add the flavor of charcoal or wood.**
- ⚠ WARNING: Do NOT use instant light charcoal.**
- ⚠ WARNING: Position the grill so wind cannot carry ashes to combustible surfaces.**
- ⚠ WARNING: Always wear protective gloves when adding charcoal or wood.**
- ⚠ WARNING: Allow coals/embers to extinguish and cool before transporting, storing, or moving the grill. Do not cover the grill until contents of the charcoal areas are completely and fully extinguished and empty.**
- ⚠ WARNING: Do not use burning charcoal to relight gas burners. Always light the burners using the built in ignition or a match.**

- Use charcoal or wood chips if desired. The grill will operate like a normal LP gas grill if the charcoal areas are empty.
- If using wood chips, either dry or soaked chips are good.
- Use natural, standard, or lump charcoal if desired.
- Add charcoal or wood chips to the charcoal areas prior to the grill preheat. The LP gas burner will ignite the charcoal. This guarantees full flavor once cooking begins. Do not place charcoal anywhere other than the dedicated charcoal areas. Do not overfill the charcoal area. Make sure the cooking grid can fit properly against the bottom bowl.
- Do not operate the grill without the hybrid heat plate in place.
- After every use, empty ashes once completely cool and fully extinguished.





Cleaning and Care

▲ Caution:

- 1. All cleaning and maintenance should be done when grill is cool and with the fuel supply disconnected.
- 2. DO NOT clean any grill part in a self cleaning oven. The extreme heat will damage the finish.

Notices

- 1. Abrasive cleaners will damage this product.
- 2. Never use oven cleaner to clean any part of grill.
- 3. Do not clean any grill part in a self cleaning oven. The extreme heat will damage the finish.

Cleaning Surfaces

- 1. Wipe surfaces clean with mild dishwashing detergent or baking soda.
- 2. For stubborn surfaces use a citrus based degreaser and a nylon scrubbing brush.
- 3. Rinse clean with water.

Cleaning Burner

- 1. Turn gas off at the control knob and remove LP gas tank.
- 2. Remove regulator and wind guard.
- 3. Remove cooking grids and heat plate.
- 4. Disconnect wire from igniter.
- 5. Remove burner.
- 6. Clean inlet of burner with small bottle brush or compressed air.
- 7. Remove all food residue and dirt on burner surface.
- 8. Clean any clogged ports with a stiff wire (such as an opened paper clip)
- 9. Inspect burner for any damage (cracks or holes). If damage is found, replace with new burner.
- 10. Reinstall burner. Reconnect igniter, wind guard, and regulator.
- 11. Replace heat plate and cooking grid
- 12. Perform leak test.

Product Registration

For faster warranty service, please register your product immediately at www.bluerhino.com or call 1.800.762.1142.

Limited Warranty

Blue Rhino Global Sourcing, LLC ("Vendor") warrants to the original retail purchaser of this product, and to no other person, that if this product is assembled and operated in accordance with the printed instructions accompanying it, then for a period of one (1) year from the date of purchase, all parts in such product shall be free from defects in material and workmanship. Vendor may require reasonable proof of your date of purchase. Therefore, you should retain your sales slip or invoice. This Limited Warranty shall be limited to the repair or replacement of parts, which prove defective under normal use and service and which Vendor shall determine in its reasonable discretion upon examination to be defective. Before returning any parts, you should contact Vendor's Customer Service Department using the contact information listed below. If Vendor confirms, after examination, a defect covered by this Limited Warranty in any returned part, and if Vendor approves the claim, Vendor will replace such defective part without charge. If you return defective parts, transportation charges must be prepaid by you. Vendor will return replacement parts to the original retail purchaser, freight or postage prepaid.

This Limited Warranty does not cover any failures or operating difficulties due to accident, abuse, misuse, alteration, misapplication, improper installation or improper maintenance or service by you or any third party, or failure to perform normal and routine maintenance on the product as set out in this owner's manual. In addition, the Limited Warranty does not cover damage to the finish, such as scratches, dents, discoloration, rust or other weather damage, after purchase.

This Limited Warranty is in lieu of all other express warranties. Vendor disclaims all warranties for products that are purchased from sellers other than authorized retailers or distributors, including the warranty of merchantability or the warranty of fitness for a particular purpose. VENDOR ALSO DISCLAIMS AND ANY ALL IMPLIED WARRANTIES, INCLUDING WITHOUT LIMITATION THE IMPLIED WARRANTIES OF MERCHANTABILITY AND FITNESS FOR A PARTICULAR PURPOSE. VENDOR SHALL NO LIABILITY TO PURCHASER OR ANY THIRD PARTY FOR ANY SPECIAL, INDIRECT, PUNITIVE, INCIDENTAL, OR CONSEQUENTIAL DAMAGES. Vendor further disclaims any implied or express warranty of, and assumes no responsibility for, defects in workmanship caused by third parties.

This Limited Warranty gives the purchaser specific legal rights; a purchaser may have other rights depending upon where he or she lives. Some jurisdictions do not allow the exclusion or limitation of special, incidental or consequential damages, or limitations on how long a warranty lasts, so the above exclusion and limitations may not apply to everyone.

Vendor does not authorize any person or company to assume for it any other obligation or liability in connection with the sale, installation, use, removal, return, or replacement of its equipment, and no such representations are binding on Vendor.

Blue Rhino Global Sourcing, LLC
Winston-Salem, North Carolina USA
(800) 762-1142

Troubleshooting

Problem	Possible Cause	Prevention/Cure
Burner will not light with match	No gas flow.	Check if LP gas tank is empty.
	Obstruction of gas flow.	Clear burner.
	Spider webs or insect nest in burner tube.	Clean burner tube.
	Burner ports clogged or blocked.	Clean burner ports.
Irregular flame pattern, flame does not run the full length of burner.	Burner ports are clogged or blocked.	Clean burner ports.
Flame is yellow or orange	New burner may have residual manufacturing oils.	Burn grill for 15 minutes with the lid closed.
	Spider webs or insect nest in burner tube.	Clean burner tube.
	Food residue, grease or seasoning salt on burner.	Clean burner.
Flame blow out	High or gusting winds.	Turn front of grill to face wind or increase flame height.
	Low on LP Gas.	Replace LP gas tank.
Flare-up	Grease buildup.	Clean grill.
	Excess fat in meat.	Trim fat from meat before grilling.
	Excessive cooking temperature.	Adjust (lower) temperature accordingly.
Persistent grease fire.	Grease trapped by food buildup around burner system.	Turn knobs to "LOCK OFF POSITION." Let fire burn out. Leave lid in closed position and let fire burn out. After grill cools, remove and clean all parts.
Flashback (fire in burner tube(s))	Burner and/or burner tube is blocked.	Clean burner and/or burner tube.
Inside of lid or cooking grid is peeling	Baked on grease buildup has turned to carbon and is flaking off.	Clean thoroughly.

For more assistance please visit us online at www.bluerhino.com or call 1.800.762.1142 for immediate assistance.

Contact 1.800.762.1142 for assistance. Do not return to place of purchase.





Problème		Cause possible		Prévention/Mesure corrective	
Le brûleur ne s'allume pas avec une allumette.		Absence de gaz.		Vérifiez si la bouteille de propane est vide.	
Le brûleur ne s'allume pas avec une allumette.		Obstruction du débit du gaz.		Nettoyez le brûleur.	
		Toiles d'araignées ou nids d'insectes dans le tube du brûleur.		Nettoyez le tube du brûleur.	
		Les orifices du brûleur sont bouchés ou bloqués.		Nettoyez les orifices du brûleur.	
		Les orifices du brûleur sont bouchés ou bloqués.		Nettoyez les orifices du brûleur.	
Flamme irrégulière, flamme ne se répartissant pas sur toute la longueur du brûleur.		Les orifices du brûleur sont bouchés ou bloqués.		Nettoyez les orifices du brûleur.	
Flamme est jaune ou orange.		Le nouveau brûleur peut contenir des traces d'huile restantes de sa fabrication.		Laissez le barbecue fonctionner pendant 15 minutes avec le couvercle fermé.	
La flamme s'éteint.		Toiles d'araignées ou nids d'insectes dans le tube du brûleur.		Nettoyez le tube du brûleur.	
		Restes de nourriture, de graisse ou d'assaisonnement sur le brûleur.		Nettoyez le brûleur.	
		Vent fort ou bourrasques.		Présentez l'avant du barbecue face au vent ou augmentez la hauteur de la flamme.	
Le feu s'enflamme brusquement.		La bouteille de propane est presque vide.		Remplacez la bouteille de propane.	
		Accumulation de graisse.		Nettoyez le barbecue.	
		La viande est trop grasse.		Éliminez la graisse de la viande avant de la griller.	
		La température de cuisson est trop élevée.		Réglez à la baisse la température.	
Feu de graisse persistant.		Graisse piégée par accumulation de nourriture autour des brûleurs.		Tournez les boutons sur « LOCK OFF » (Fermé et verrouillé). Laissez le couvercle fermé et laissez la graisse se consommer. Après que le barbecue se soit refroidi, retirez et nettoyez toutes les pièces.	
Retour de flammes (feu dans le ou les tubes du brûleur)		Le brûleur et/ou son (ou ses) tube(s) sont bouché(s).		Nettoyez le brûleur et/ou le (ou les) tube(s) du brûleur.	
L'intérieur du couvercle ou la grille s'écaille comme de la peinture.		L'accumulation de graisse cuite s'est transformée en carbone et s'écaille.		Nettoyez rigoureusement le couvercle ou la grille.	

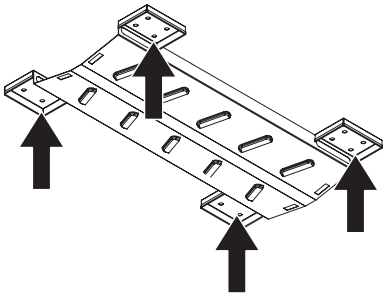
Pour toute assistance, veuillez consulter notre site internet www.bluerhino.com ou appeler le 1.800.762.1142 pour une assistance immédiate.

Fonctionnement (suite)

▲ AVERTISSEMENT : Laissez les briquettes de charbon de bois et les braises s'éteindre et refroidir avant de transporter, remiser ou déplacer le barbecue. **NE PAS** couvrir le barbecue avant que le contenu des compartiments réservés aux briquettes de charbon de bois ne soit complètement éteint puis vidé.

▲ AVERTISSEMENT : **NE PAS** utiliser de charbon de bois pour rallumer les brûleurs. **Veillez à toujours allumer les brûleurs en utilisant l'allumeur intégré ou une allumette.**

- Utilisez du charbon de bois ou des copeaux de bois si vous le désirez. Le barbecue fonctionnera de la même façon qu'un barbecue au propane si les compartiments destinés aux briquettes de charbon de bois sont vides.
- Si vous utilisez des copeaux de bois, les copeaux secs ou imbibés peuvent être utilisés indifféremment.
- Utilisez du charbon de bois naturel, de taille standard ou en gros morceaux si vous le souhaitez.
- Ajoutez du charbon de bois ou des copeaux de bois dans les compartiments destinés aux briquettes avant de préchauffer le barbecue. Le brûleur du barbecue au propane allumera le charbon de bois. Ceci donnera une saveur assurée aux aliments une fois la cuisson commencée. Ne pas placer les briquettes de charbon de bois ailleurs que dans les compartiments qui leur sont destinés. Ne pas trop remplir les compartiments réservés au charbon de bois. Assurez-vous que la grille de cuisson peut être placée dans les compartiments réservés.
- Ne pas utiliser le barbecue sans avoir installé auparavant la plaque chauffante à double usage.
- Après chaque utilisation, videz les cendres une fois qu'elles sont complètement éteintes et presque froides au toucher.



Nettoyage et entretien

▲ Attention:

1. **Tout nettoyage ou entretien doit être effectué lorsque le barbecue est froid et après avoir fermé et débranché l'alimentation en gaz.**
2. **NE placez aucune pièce du barbecue dans un four autonettoyant. La chaleur extrême endommagera le fini du barbecue.**

AVIS

1. **N'utilisez pas de produits de nettoyage abrasifs car ils risquent d'endommager le barbecue.**
2. **N'utilisez jamais de produit à nettoyer les fours sur une pièce quelle qu'elle soit du barbecue.**
3. **NE placez aucune pièce du barbecue dans un four autonettoyant. La chaleur extrême endommagera le fini du barbecue.**

Nettoyage des surfaces du barbecue

1. Essuyez les surfaces du barbecue avec un liquide à vaisselle doux ou du bicarbonate de soude.
2. Pour les tâches coriaces, utilisez un dégraissant au citron et une brosse de nettoyage en nylon.
3. Rincez à l'eau.

Nettoyage du brûleur

1. Fermez l'arrivée de gaz au niveau du bouton de réglage et retirez la bouteille de propane.
2. Retirez le régulateur et le chapeau de protection anti-vent.
3. Retirez les grilles de cuisson et la plaque chauffante.
4. Déconnectez le fil de l'allumeur.
5. Retirez le brûleur.
6. Nettoyez l'entrée du brûleur avec un petit goupillon ou de l'air comprimé.
7. Nettoyez les restes de nourriture et la saleté de la surface du brûleur.
8. Nettoyez les orifices bouchés avec un fil métallique (un trombone ouvert, par exemple).
9. Vérifiez le brûleur afin de vous assurer qu'il ne présente pas de détériorations (fissures ou trous). En cas de détériorations, remplacez-le par un brûleur neuf.
10. Réinstallez le brûleur. Connectez à nouveau l'allumeur, remettez en place le chapeau de protection anti-vent et raccordez le régulateur.
11. Remettez en place la plaque chauffante et la grille de cuisson.
12. Effectuez le test d'étanchéité afin de vous assurer que le raccord ne présente pas de fuite.

Garantie limitée

Pour bénéficier plus rapidement du service offert par la garantie, veuillez enregistrer cet article immédiatement sur le site internet www.bluerhino.com ou appelez le 1.800.762.1142.

Enregistrement de l'appareil

La société Blue Rhino Global Sourcing, LLC ("le fabricant") garantit cet article au premier acheteur au détail et à aucune autre personne, contre tout vice de matériau et de fabrication pendant un (1) an à partir de la date d'achat si cet article est monté et utilisé conformément aux instructions fournies. Le fabricant vous demandera sans doute une preuve raisonnable d'achat datée, veuillez donc conserver votre facture ou votre reçu. Cette garantie limitée se limitera à la réparation ou au remplacement de pièces ayant été déterminées défectueuses par le fabricant lors de conditions d'utilisation et d'entretien normales. Avant de renvoyer une pièce, contactez le service à la clientèle du fabricant (Customer Service Department). Si le fabricant confirme le défaut de fabrication et approuve la réclamation, ce dernier remplacera gratuitement les dites pièces. Si vous devez renvoyer des pièces défectueuses, les pièces devront être expédiées port-payé. Le fabricant s'engage à renvoyer les pièces à l'acheteur port-payé.

Cette garantie limitée ne couvre pas les pannes et dysfonctionnements survenant suite à tout accident, mauvais usage, entretien incorrect de cet article, ou toute modification, mauvaise installation ou négligence comme il a été établi dans ce manuel. De plus, cette garantie limitée ne couvre pas les dommages au fini, à savoir les rayures, les bosses, les traces de décoloration, de rouille ou les dommages résultant des intempéries après achat de l'article. Cette garantie remplace toute autre garantie existante et il n'existe aucune autre garantie expresse à l'exception de la couverture indiquée ici. Le fabricant désavoue toute garantie couvrant des produits ayant été achetés auprès de revendeurs autres que les revendeurs et distributeurs agréés y compris toute garantie de commercialisabilité et d'adaptation à un usage particulier. LE FABRICANT DÉCLINE ÉGALEMENT TOUTE GARANTIE IMPLICITE Y COMPRIS TOUTE GARANTIE DE COMMERCIALISABILITÉ ET D'ADAPTATION À UN USAGE PARTICULIER. LE FABRICANT NE POURRA ÊTRE TENU RESPONSABLE PAR L'ACHETEUR OU UN TIERS POUR TOUTS DÉGÂTS ET DOMMAGES PARTICULIERS, INDIRECTS, PUNITIFS OU CONSÉCUTIFS. De plus, le fabricant désavoue toute garantie expresse ou implicite et décline toute responsabilité en cas de défaut de fabrication causés par un tiers.

Cette garantie limitée octroie des droits spécifiques à l'acheteur reconnus par la loi et est possible que ce dernier en possède d'autres selon sa localité. Certaines juridictions ne permettent pas l'exclusion ni la limitation de dommages consécutifs ou accessoires ni la limitation en temps d'une garantie et ces limitations peuvent ne pas être applicables à tous. Le fabricant ne permet en aucun cas à une personne ou à une société de s'attribuer les responsabilités et les obligations liées à la vente, l'installation, l'utilisation, la dépose ou le remplacement de cet article, et aucune de ces représentations n'engage la responsabilité du fabricant.

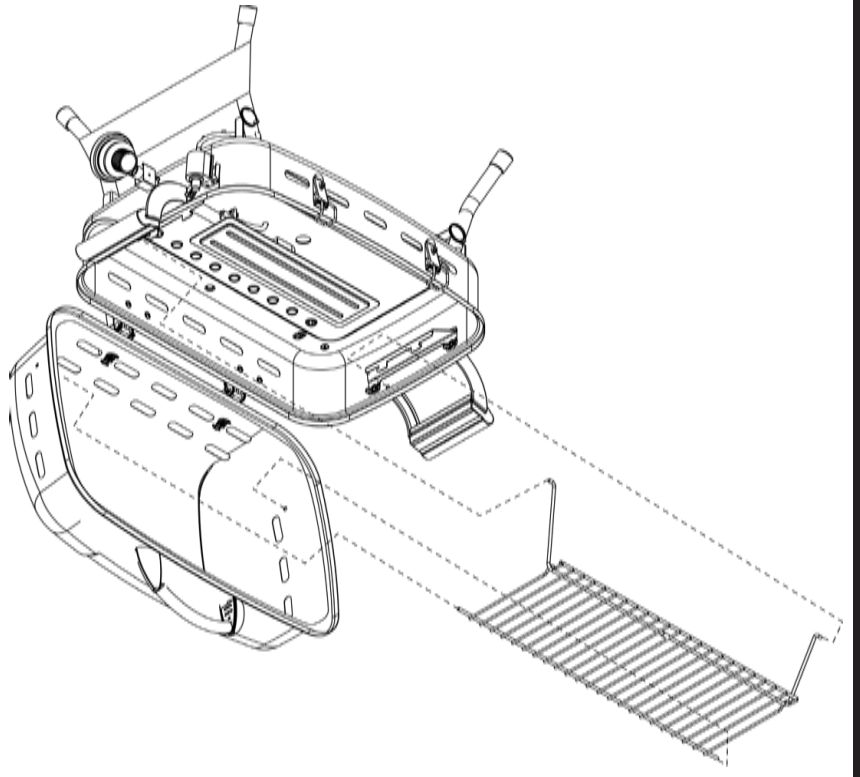
Blue Rhino Sourcing, LLC

Winston-Salem, North Carolina 27105, États-Unis

(800)-762-1142

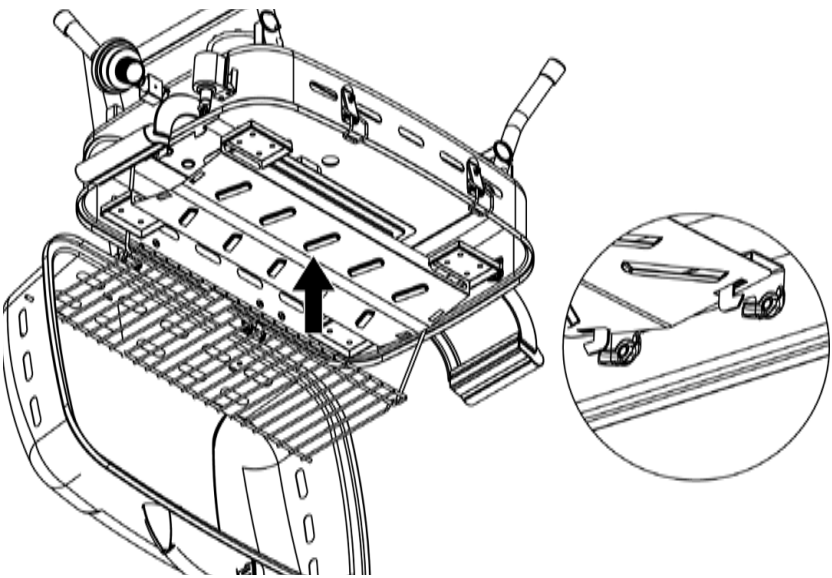
9

Placez la grille de réchauffage

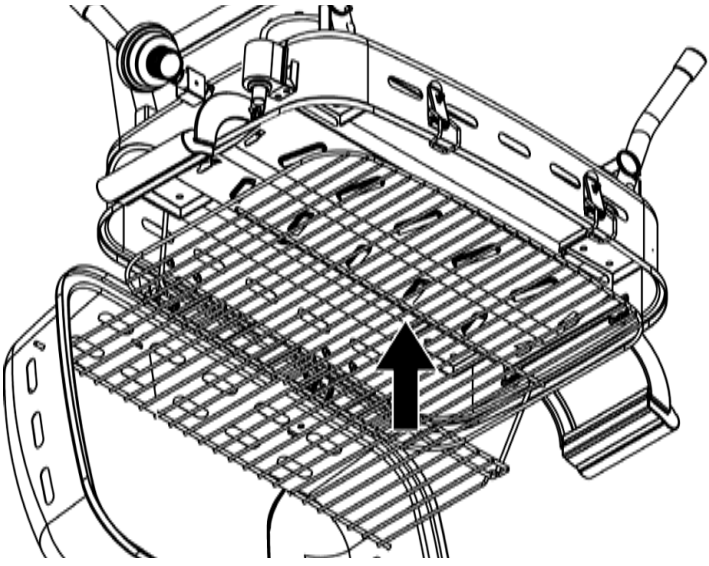


10

Placez la plaque chauffante à double usage

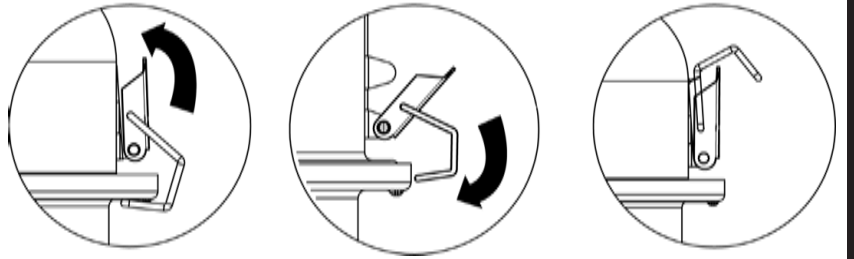


Placez la grille de cuisson



11

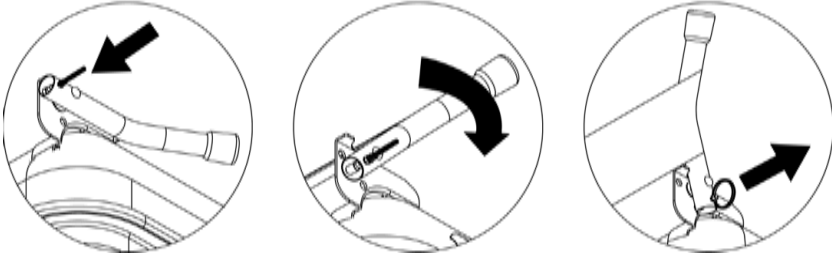
Verrouillez le couvercle



12

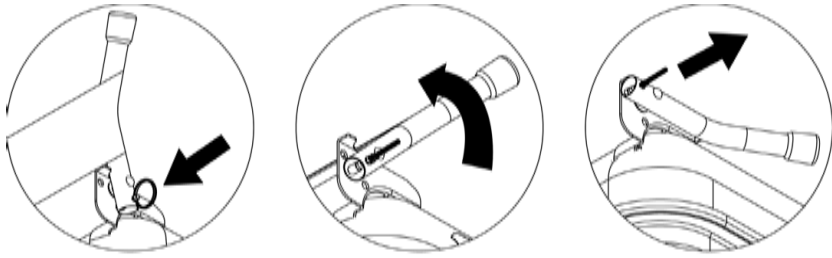
Repliez les pieds

Remarque: Assurez-vous de toujours verrouiller le couvercle avant de replier les pieds.



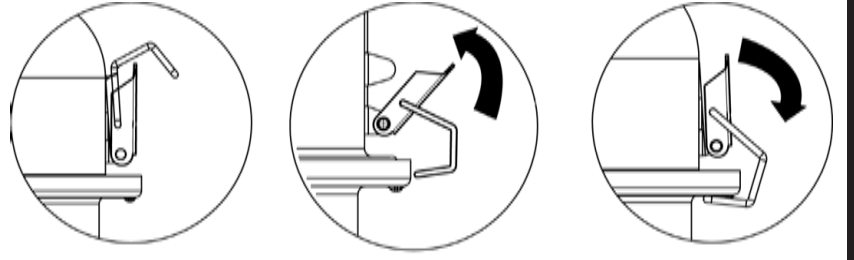
Dépliez les pieds

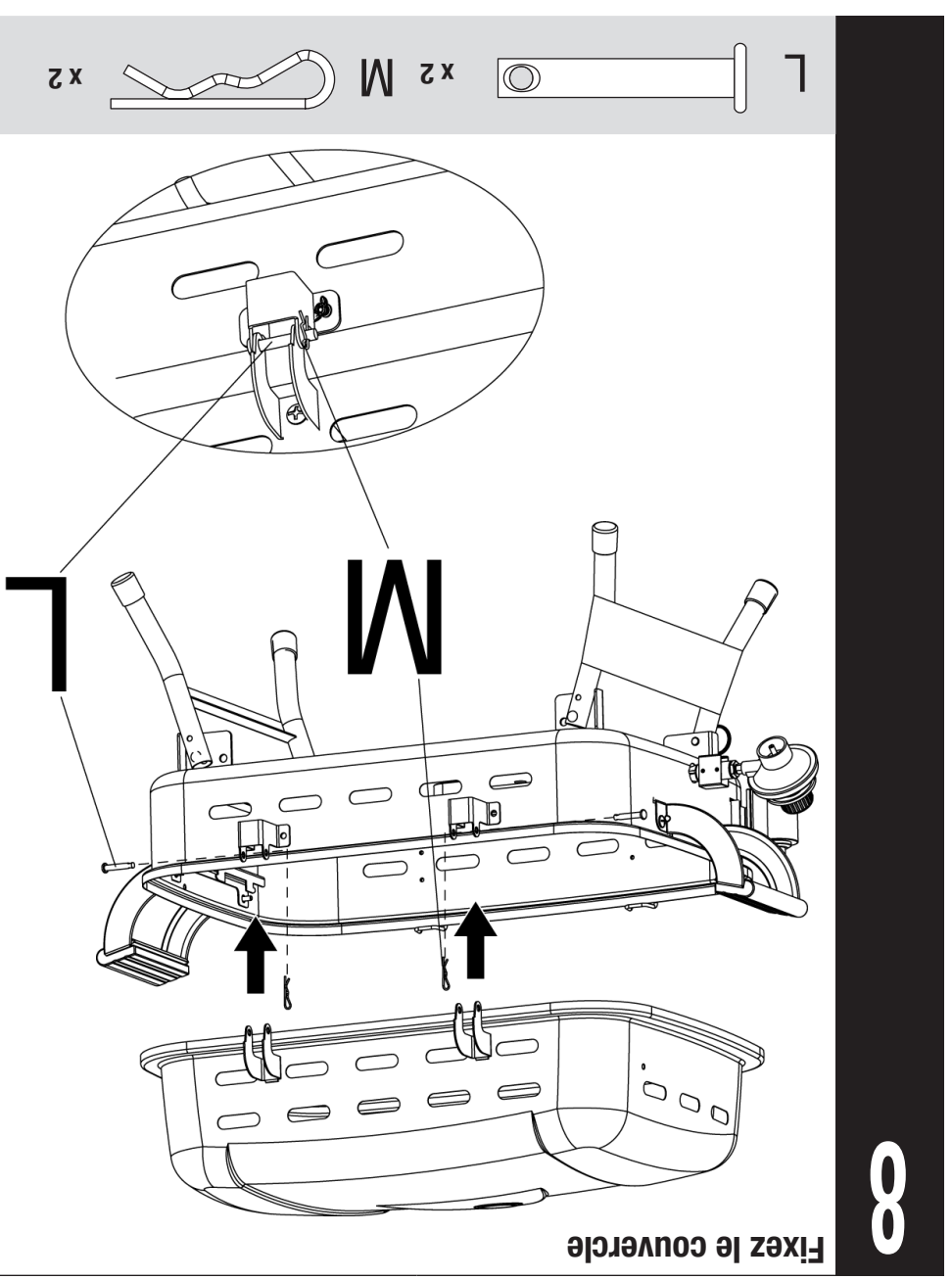
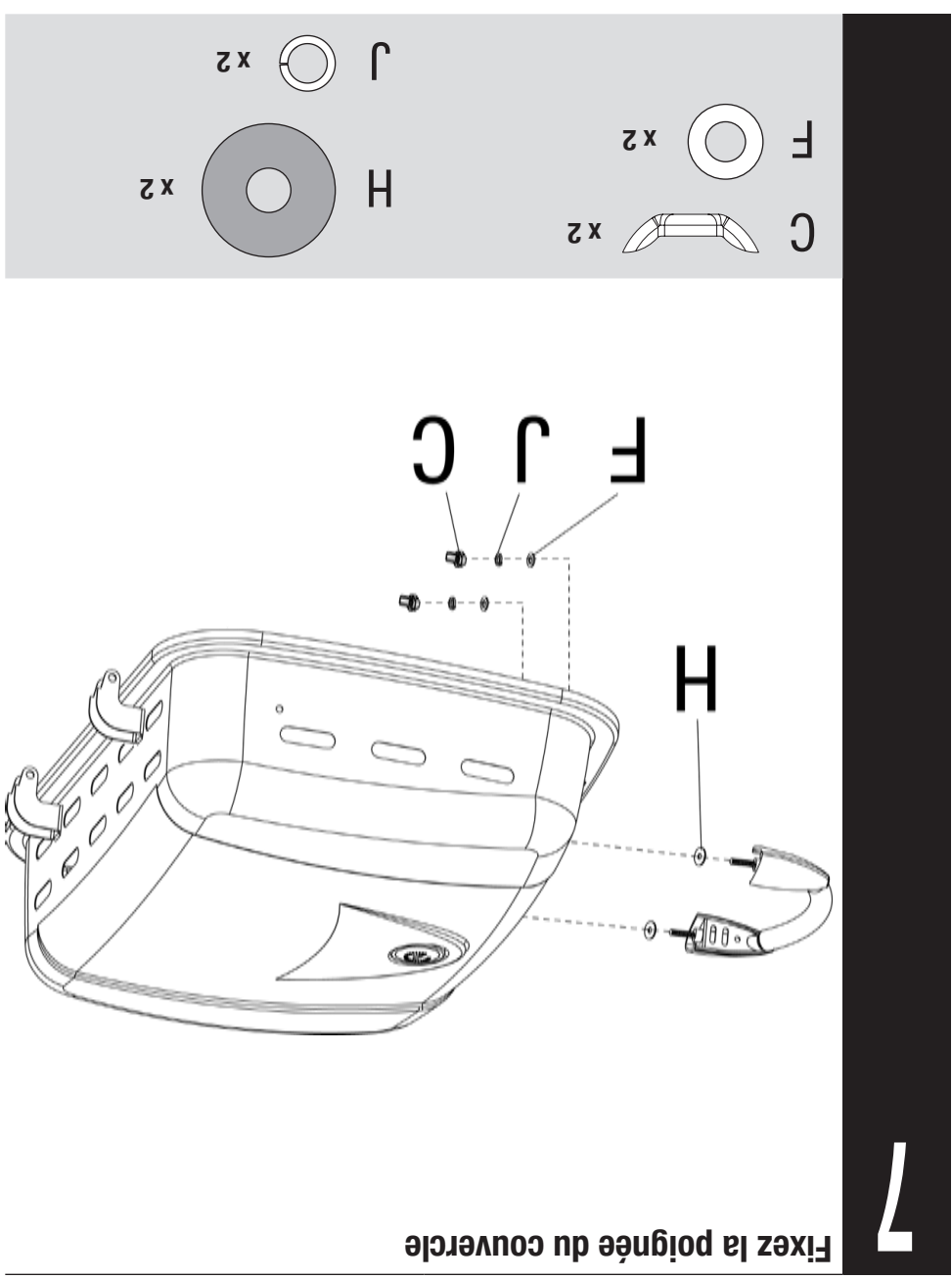
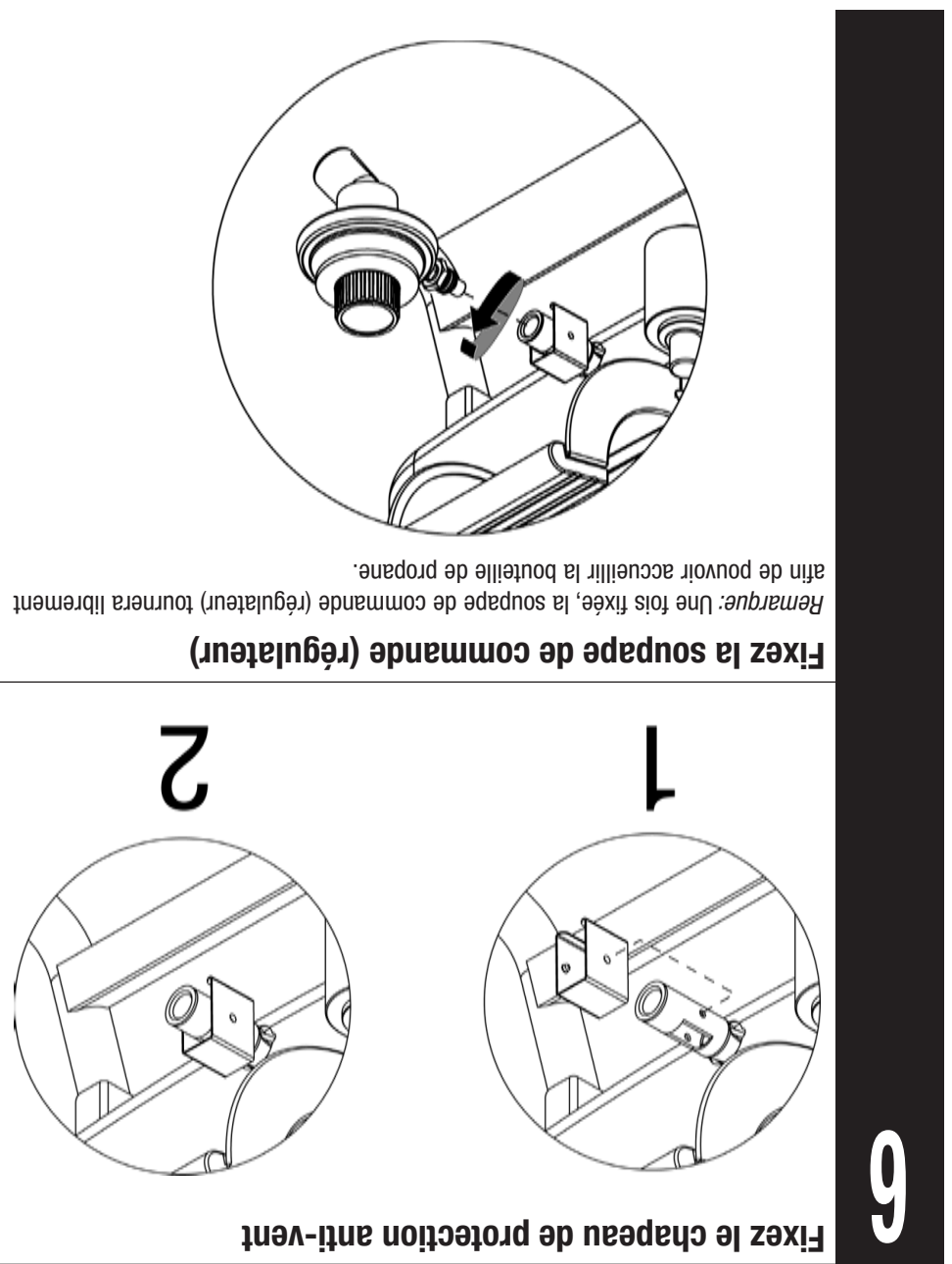
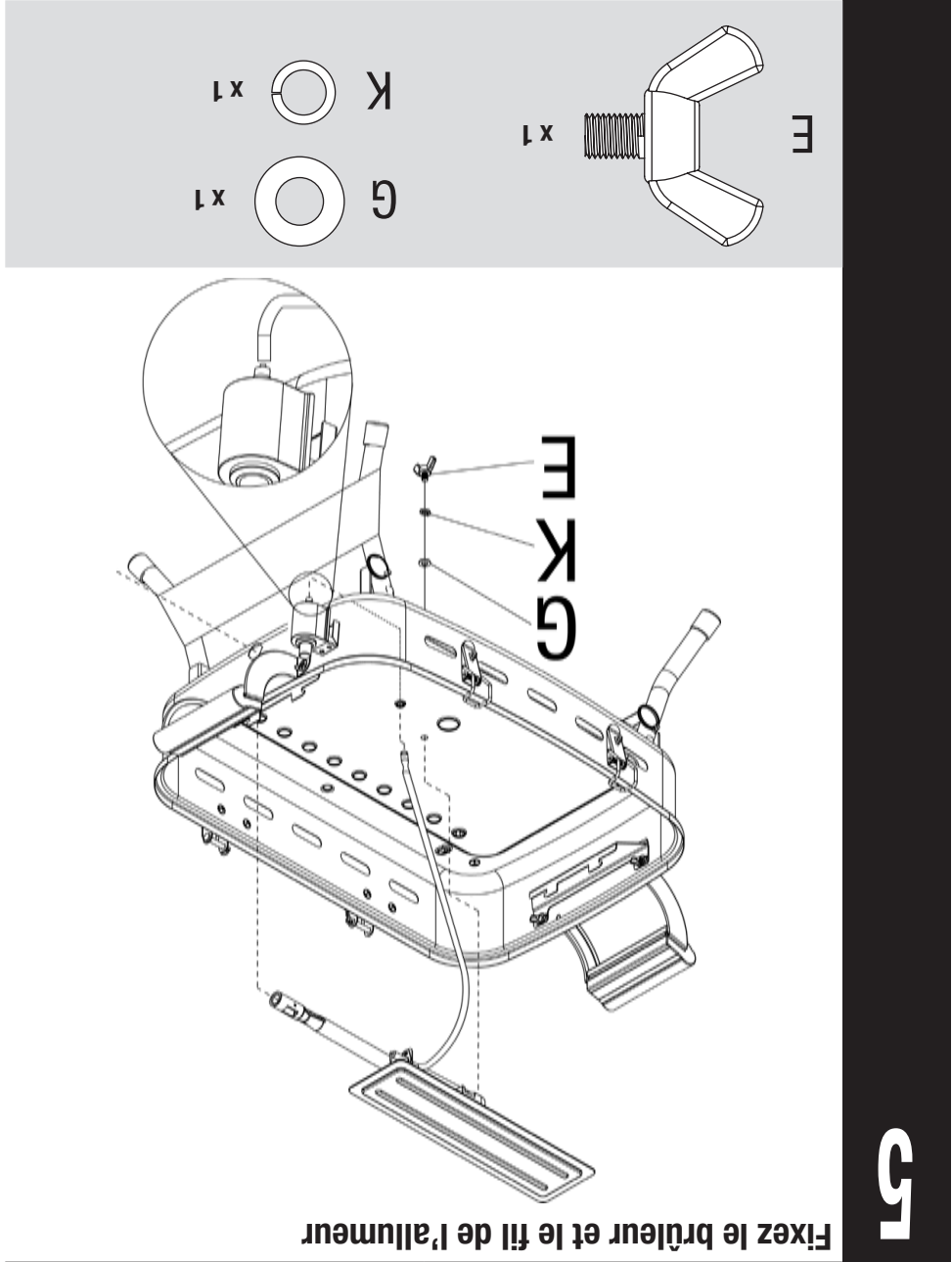
Remarque: Assurez-vous de toujours ouvrir complètement les pieds avant d'allumer l'appareil.



11

Déverrouillez le couvercle







1 NE PAS RETOURNER AU MAGASIN AVEC CET ARTICLE.

Pour toute assistance technique, appelez le numéro sans frais **1.800.762.1142**. Faites en sorte que votre manuel d'utilisation et le numéro de série soient à portée de main afin de pouvoir vous y référer.

Pour faciliter l'assemblage:

- Pour éviter de perdre des petites pièces ou la quincaillerie d'installation, assemblez cet article sur une surface dure et plane qui ne comporte pas de trous ni de fissures.
- Prévoyez une surface de travail suffisamment grande afin d'étaler toutes les pièces et la quincaillerie d'installation.
- Lorsque nécessaire, serrez toute les fixations et la visserie en premier, puis une fois l'étape terminée, serrez-les complètement.
- Suivez toutes les étapes dans l'ordre afin d'assembler correctement cet article.

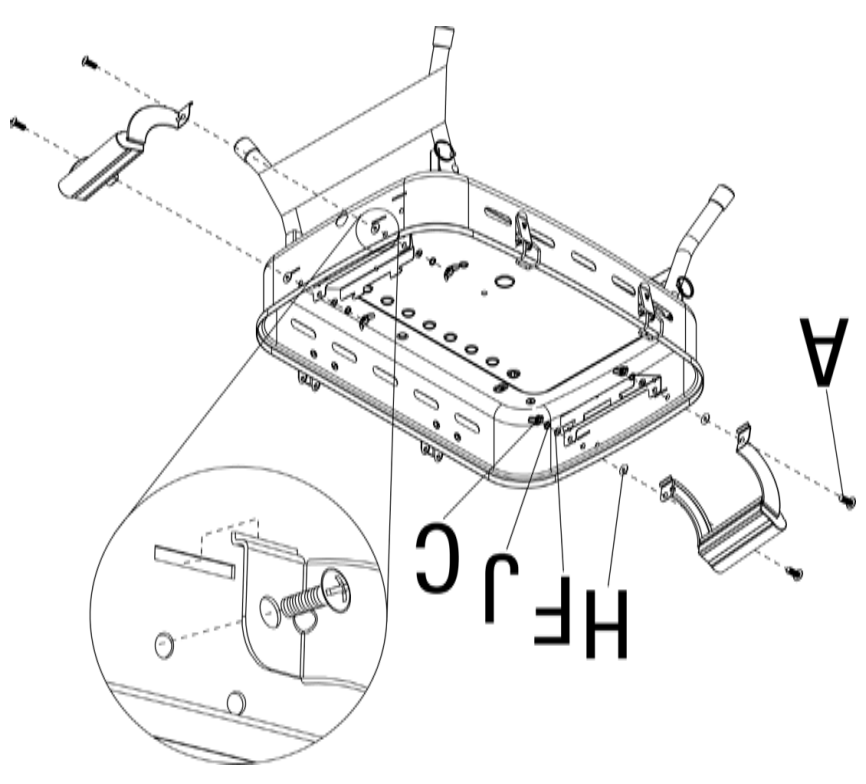
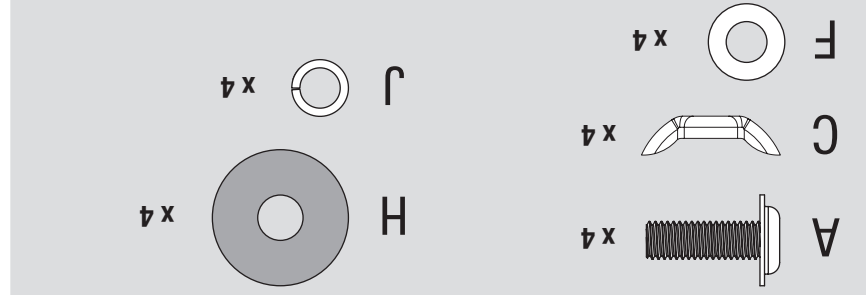
Pour effectuer l'assemblage, vous aurez besoin des choses suivantes:

- (1) solution de détection de fuites (voir instructions sur la préparation de la solution au chapitre « Fonctionnement »).
- (1) bouteille de propane de 14,1 onces ou (1) bouteille de 16,4 onces (1 livre ou 465 g)

Remarque: Veuillez suivre toutes les étapes dans l'ordre afin d'assembler correctement le barbecue.

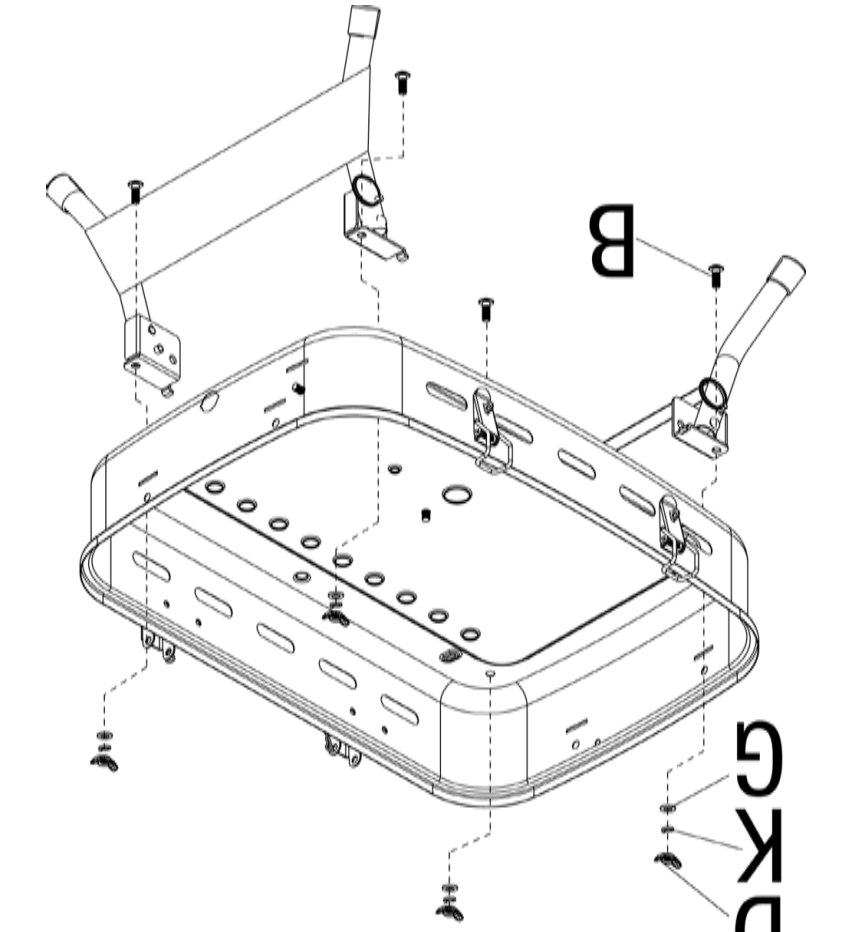
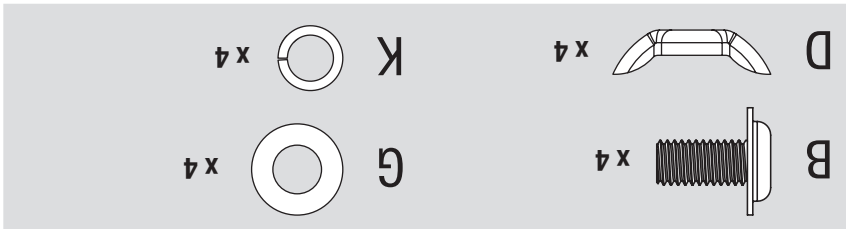
Temps d'assemblage: environ 30 minutes.

1



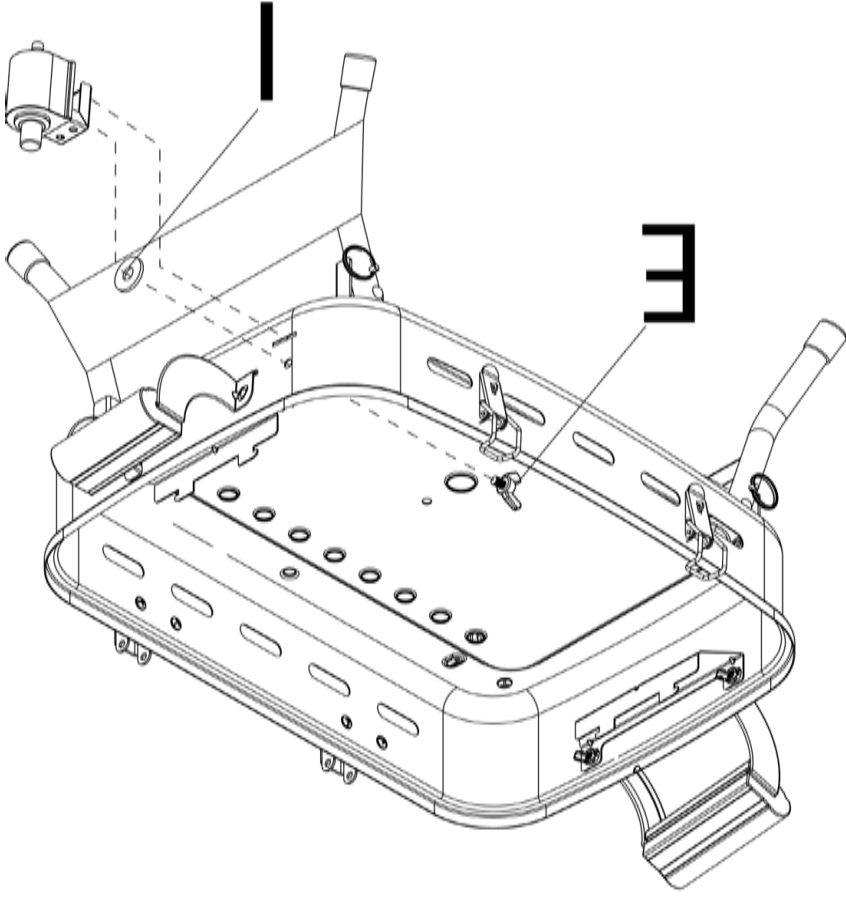
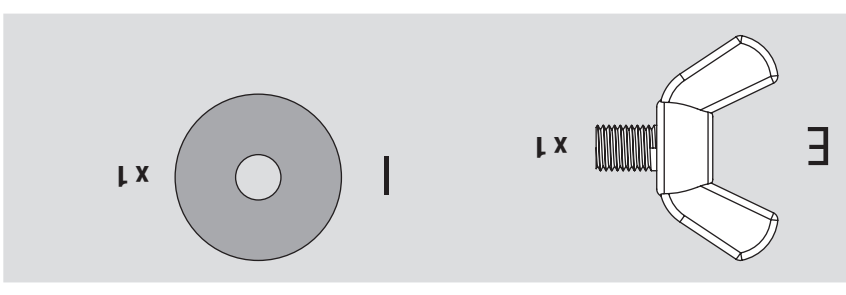
Fixez les poignées latérales, le support de la plaque chauffante

3



Fixez les pieds gauche et droit

2



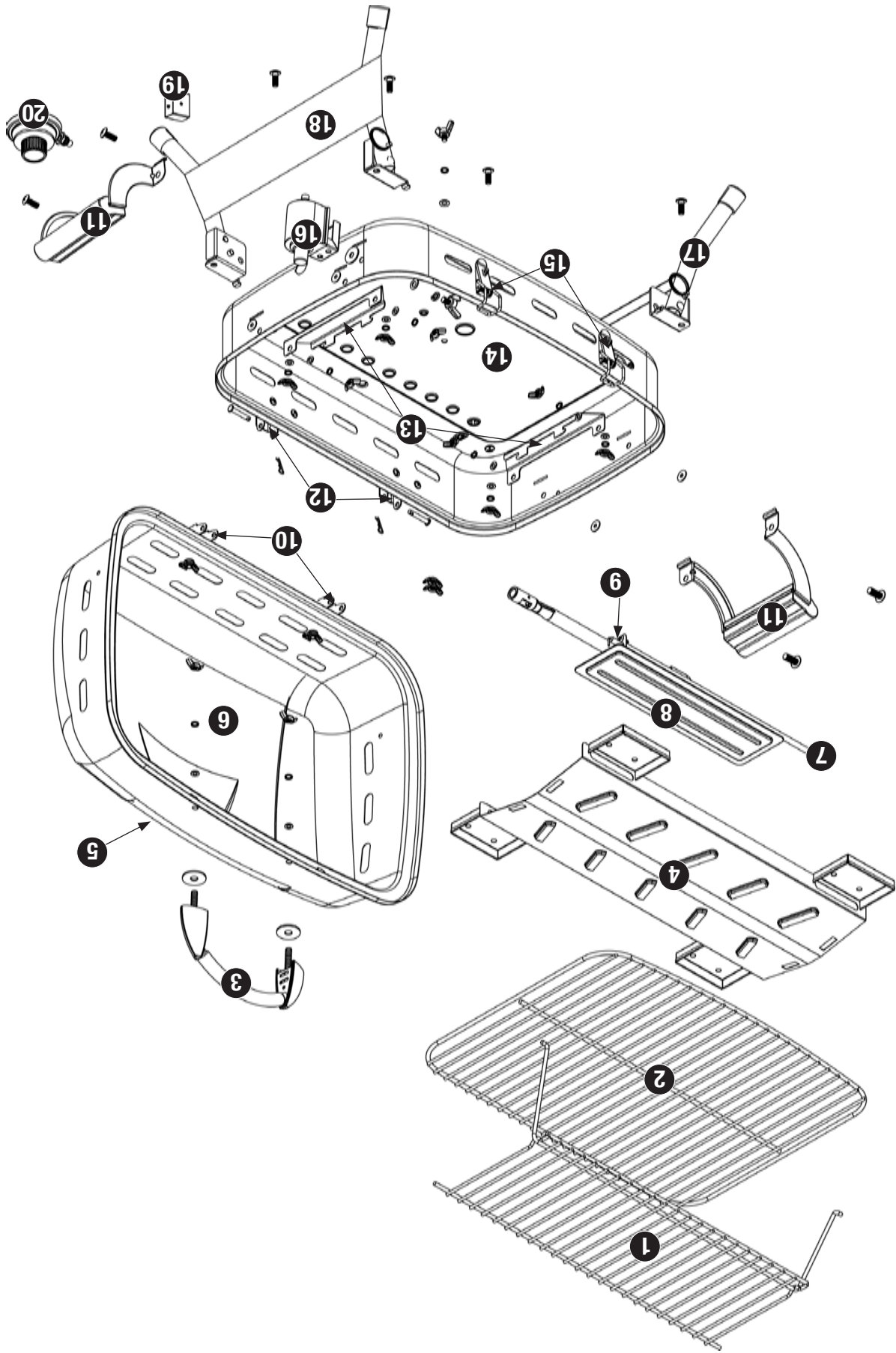
Fixez le bouton de l'allumeur

4

Liste des pièces

1	Grille de réchauffage	55-07-235
2	Grille de cuisson	55-07-215
3	Poignée du couvercle	55-07-224
4	Plaque chauffante à double usage	55-07-220
5	Indicateur de température	55-07-233
6	Couvercle	55-07-234
7	Fil de l'allumeur	55-15-060
8	Brûleur	55-07-214
9	Electrode	55-15-295
10	Charnière supérieure (2)	55-15-330
11	Poignée latérale (2)	55-07-232
12	Charnière inférieure (2)	55-15-329
13	Support de la plaque chauffante à double usage (2)	55-14-989
14	Cuve du barbecue	55-07-213
15	Verrou (2)	55-07-225
16	Allumeur	55-07-731
17	Pied gauche	55-07-223
18	Pied droit	55-07-230
19	Chapeau de protection anti-vent	55-07-238
20	Souape de commande (régulateur)	55-14-986

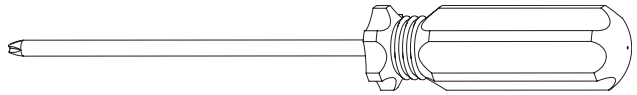
Vue éclatée



Quincaillerie

A	Vis	Niquelée, à tête bombée Phillips M5x15	4 pcs
B	Vis	Niquelée, à tête bombée Phillips M6x12	4 pcs
C	Écrou à ailettes	Niquelé, M5	6 pcs
D	Écrou à ailettes	Niquelé, M6	4 pcs
E	Boulon à ailettes	Niquelé, M6x8	2 pcs
F	Rondelle	Niquelée, ø5,3	6 pcs
G	Rondelle	Niquelée, ø6,4	5 pcs
H	Rondelle	Résistante à la chaleur, ø6x18	6 pcs
I	Rondelle	Résistante à la chaleur ø6x22	1 pc
J	Rondelle de blocage	Niquelée, ø5,3	6 pcs
K	Rondelle de blocage	Niquelée, ø6,4	5 pcs
L	Goupille	Galvanisée, ø5 x 32	2 pcs
M	Goupille fendue	Acier, ø1,4 x 30	2 pcs

Tournevis cruciforme Phillips n° 2



Outils requis pour l'assemblage (non fournis)

AVERTISSEMENT

En cas d'odeur de gaz :

1. Fermer le robinet de gaz alimentant l'appareil.
2. Éteindre toute flamme.
3. Ouvrir le couvercle.
4. Si l'odeur persiste, contacter immédiatement le fournisseur de bouteilles de gaz ou les pompiers.

AVERTISSEMENT

POUR VOTRE SÉCURITÉ:

1. Ne pas entreposer une bouteille de propane de recharge à moins de 3,05 mètres de cet appareil.
2. Ne pas utiliser ni entreposer d'essence ou de liquides présentant des vapeurs inflammables à moins de 7,62 m de cet appareil ou de tout autre appareil.
3. Ne pas entreposer une bouteille de propane de recharge dans le voisinage de cet appareil ou de tout autre appareil.

AVERTISSEMENT:

▲ Ce barbecue doit être utilisé uniquement à l'extérieur et ne doit pas être utilisé dans un immeuble, un garage ou tout autre espace clos.

▲ Ce barbecue N'est PAS destiné à un usage commercial.

▲ Il ne s'agit en aucun cas d'un barbecue de table! Par conséquent, ne jamais placer ce barbecue sur une table quelconque.

▲ Ce barbecue doit être utilisé uniquement avec du propane liquide (PL). Toute utilisation de gaz naturel avec ce barbecue ou tentative de conversion au gaz naturel de ce barbecue est dangereuse et rendra la garantie nulle et non avenue.

▲ Caractéristiques du propane (PL) :

a. Le propane est un gaz inflammable et dangereux si ce dernier n'est pas manipulé correctement. Il est indispensable de connaître les dangers encourus avant d'utiliser tout appareil fonctionnant au propane.

b. Le propane est un gaz inflammable qui risque d'exploser sous pression. Le propane est un gaz plus lourd que l'air présent en gisements dans les régions basses.

c. Le propane à l'état naturel est inodore. Pour votre sécurité, un odorisant agent l'odeur de choux avariés a été ajouté.

d. Tout contact du propane avec la peau risque d'entraîner des brûlures.

Il est nécessaire de brancher une bouteille de propane pour faire fonctionner le barbecue. Seules les bouteilles marquées « propane » peuvent être utilisées.

▲ La bouteille de propane doit être fabriquée, marquée et mise en service conformément à la *Réglementation sur les bouteilles de gaz de pétrole liquéfié établie par le Ministère des transports des États-Unis (DOT) ou répondre à la Norme nationale canadienne CAN/CSA-B339 sur les bouteilles, sphères et tubes destinés au transport des marchandises dangereuses et la commission*.

▲ La bouteille de propane doit être placée et homologuée afin de faciliter l'extraction des vapeurs de gaz.

▲ Toute bouteille bosselée ou présentant des traces de rouille risque d'être dangereuse et devrait être vérifiée par votre fournisseur de bouteilles de propane avant de l'utiliser.

▲ Ne pas laisser tomber la bouteille ni la manipuler brusquement ou brutalement!

▲ Les bouteilles de propane doivent être stockées à l'extérieur, hors de portée des enfants et ne doivent pas être entreposées dans un bâtiment, un garage ou dans tout autre lieu fermé. Les bouteilles de gaz ne doivent jamais être entreposées dans un endroit où la température risque de dépasser 51,6°C (125°F)

▲ Ne jamais essayer de raccorder ce barbecue au circuit de propane d'une tente-caravane, autocaravane ou de votre maison.

▲ La prise d'alcool, de médicaments ou de drogues risque de nuire à l'aptitude de l'utilisateur à assembler ou à utiliser cet appareil en toute sécurité.

▲ Ne jamais utiliser de charbon de bois, de liquide allume-barbecue, de pierres de lave, d'essence, de kérosène ou d'alcool avec ce barbecue.

▲ Votre barbecue a été vérifié en usine afin de s'assurer que les raccords ne présentent aucune fuite. Vérifier à nouveau tous les raccords car il est possible qu'ils se soient desserrés lors du transport.

▲ Vérifier que l'appareil ne présente aucune fuite même si ce dernier a été assemblé pour vous par quelqu'un d'autre.

▲ Ne pas utiliser le barbecue en cas de fuite de gaz. Toute fuite de gaz risque de provoquer un incendie ou une explosion.

▲ Il est obligatoire de suivre toutes les procédures de détection de fuite avant d'utiliser cet appareil. Afin d'éviter tout risque d'incendie et d'explosion lorsque l'on recherche une fuite :

a. Vérifier que le circuit ne présente pas de fuite en effectuant un essai d'étanchéité avant d'allumer le barbecue à chaque fois que la bouteille de gaz est branchée afin de l'utiliser.

b. Interdiction de fumer. Ne pas utiliser ni laisser de sources d'ignition à proximité du barbecue lorsque l'on recherche une fuite.

c. Effectuer le test d'étanchéité en plein air, dans un emplacement bien aéré.

d. Ne pas utiliser d'allumettes, de briquets ou de flamme nue afin de rechercher une fuite.

e. Ne pas utiliser le barbecue avant d'avoir réparé toutes les fuites. S'il s'avère impossible d'arrêter une fuite, débrancher la bouteille de propane. Contacter notre service à la clientèle, un réparateur d'appareils à gaz ou votre fournisseur de bouteilles de propane.

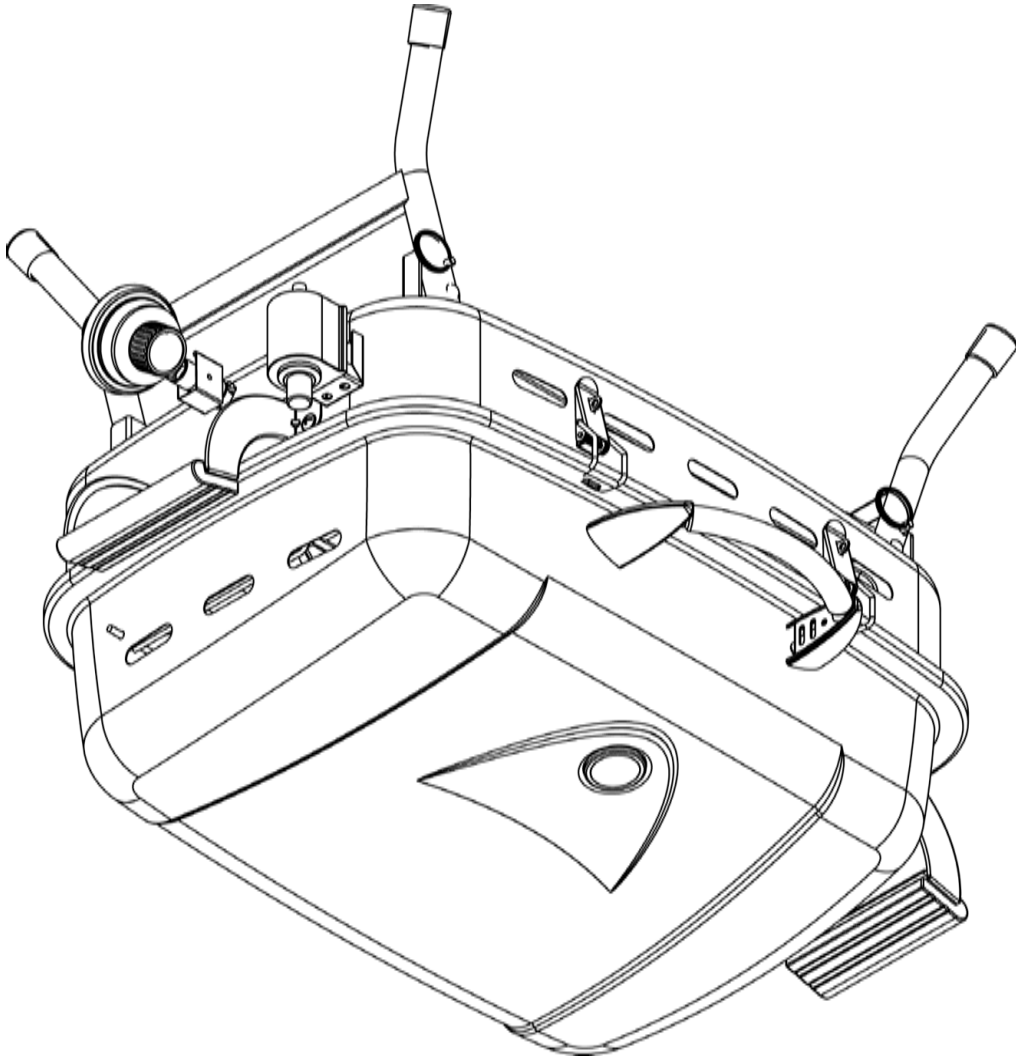
▲ Ne pas utiliser le barbecue en présence de vapeurs et d'émanations explosives. Veiller à ce que la zone autour du barbecue demeure dégagée et dépourvue de matières combustibles, d'essence et d'autres liquides et vapeurs inflammables.

▲ DANGER: Le non-respect des avis de danger, des mises en garde et des consignes de sécurité de ce manuel risque de provoquer un incendie ou une explosion et d'entraîner des dégâts matériels, des blessures graves voire la mort.

- ▲ S'assurer que toute surface et matière combustible se trouve toujours à une distance minimum de 53 cm du barbecue. NE PAS utiliser ce barbecue sous un abri, une structure suspendue ou en saillie ou à proximité de toute construction combustible non protégée.
- ▲ Il est primordial que le compartiment de la commande du barbecue, les brûleurs et les orifices permettant la circulation de l'air demeurent propres. Vérifier le barbecue avant chaque utilisation.
- ▲ Ne modifier en aucune façon le barbecue.
- ▲ Ne pas utiliser le barbecue à moins qu'il ne soit COMPLÈTEMENT assemblé et que les pièces ne soient toutes fixées et serrées.
- ▲ Ce barbecue doit être vérifié et nettoyé en entier régulièrement.
- ▲ Utiliser uniquement le régulateur fourni. Toute pièce de recharge doit être celle spécifiée par le fabricant.
- ▲ Utiliser uniquement des pièces agréées de l'usine Blue Rhino Global Sourcing, LLC. L'emploi de toute pièce non agréée peut être dangereuse et entraînera l'annulation de la garantie.
- ▲ Ne pas utiliser cet appareil avant de lire le chapitre « Fonctionnement » de ce manuel.
- ▲ Ne pas toucher les pièces métalliques du barbecue avant qu'il n'ait complètement refroidi (attendre environ 45 minutes) afin de ne pas se brûler à moins de porter des vêtements de protection (gants, maniques, attirail de barbecue, etc.).
- ▲ Ne pas installer ni utiliser cet appareil à bord d'un bateau ou d'un véhicule récréatif.
- ▲ Lors de la cuisson, conserver toujours à portée de main des articles ou matières capables d'éteindre le feu. En cas de feu de graisse, ne pas tenter d'éteindre le feu avec de l'eau. Utiliser un extincteur à poudre BC ou étouffer le feu avec de la terre, du sable ou du bicarbonate de soude.
- ▲ Ne pas utiliser le barbecue par grand vent.
- ▲ Ne jamais se pencher au-dessus du barbecue pour l'allumer.
- ▲ Ne jamais laisser un barbecue allumé sans surveillance surtout si des enfants ou des animaux domestiques et de compagnie se trouvent à proximité.
- ▲ Ne pas essayer de déplacer le barbecue quand il est allumé. Laisser le barbecue refroidir avant de le déplacer ou de le remiser.
- ▲ Le remisage du barbecue à l'intérieur est autorisé seulement si la bouteille a été débranchée et retirée de l'appareil et correctement entreposée à l'extérieur.
- ▲ Veiller à toujours ouvrir le couvercle du barbecue lentement et avec précaution en portant un gant de protection ou une manique car la chaleur et la vapeur piégées à l'intérieur risquent de gravement vous brûler.
- ▲ Ne pas tenter de débrancher le régulateur de gaz de la bouteille ou de débrancher une pièce quelconque de l'alimentation du gaz lorsque le barbecue est allumé
- ▲ Débrancher la bouteille lorsqu'elle ne pas utilisée.
- ▲ Placer toujours le barbecue sur une surface plane, dure et non combustible. Il est déconseillé de le placer sur de l'asphalte ou du bitume.
- ▲ Ne pas utiliser cet appareil directement sur une terrasse en bois.
- ▲ Veiller à ce que les câbles et cordons électriques demeurent toujours loin du barbecue lorsqu'il est chaud.
- ▲ Ne pas utiliser le barbecue pour se chauffer ou pour cuisiner à l'intérieur. Des émanations TOXIQUES peuvent s'accumuler et provoquer l'asphyxie.
- ▲ Après une période de remisage ou si le barbecue n'a pas été utilisé pour une certaine période, s'assurer qu'il n'y a pas de fuite et que les brûleurs ne sont pas bouchés.
- ▲ Le fait de ne pas maintenir le couvercle ouvert lors de l'allumage des brûleurs du barbecue ou de ne pas attendre 5 minutes afin que le gaz se dissipe au cas où le barbecue ne s'allume pas, risque de provoquer un retour de flammes explosif.
- ▲ Lorsque l'on n'utilise pas le barbecue, fermer l'alimentation du gaz au niveau de la bouteille.
- ▲ Ne jamais utiliser le barbecue sans avoir installé auparavant la plaque chauffante.
- ▲ Veiller à toujours utiliser un thermomètre à viande afin de s'assurer que la nourriture est cuite à une température adéquate.
- ▲ Ne pas entreposer une bouteille de propane de recharge sous cet appareil ou à proximité de ce dernier.
- ▲ Porter des gants de protection pour assembler cet article.
- ▲ Ne pas forcer les pièces les unes dans les autres afin d'éviter toute blessure et éviter d'endommager cet article.
- ▲ Ne jamais recouvrir la zone de cuisson avec du papier d'aluminium.
- ▲ Les consignes ci-dessus doivent être strictement respectées et le non-respect de ces consignes risque de provoquer des dégâts matériels ou d'entraîner des blessures graves voire la mort.

Barbecue au propane pour usage extérieur

Modèle n° HBT722W-C

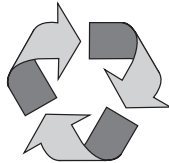


AVERTISSEMENT

POUR USAGE À L'EXTÉRIEUR SEULEMENT
(hors de tout abri clos)

AVERTISSEMENT

1. Toute installation défectueuse ou modification incorrecte ainsi que tout mauvais réglage ou entretien incorrect risque d'entraîner des blessures ou des dégâts matériels.
2. Lire complètement les instructions d'installation, d'utilisation et d'entretien avant de procéder à la maintenance de l'appareil ou à son entretien.
3. Le non-respect de ces consignes risque de provoquer un incendie ou une explosion et entraîner des dégâts matériels, des blessures graves voire la mort.



Fabriquée à partir de 70% de bagasse de canne à sucre (résidu de pulpe de canne à sucre sans danger pour l'environnement)



Conservez ces instructions afin de pouvoir les consulter ultérieurement. Si vous êtes en train d'assembler cet appareil pour une autre personne, veuillez lui fournir le manuel afin qu'elle puisse le lire et le consulter plus tard.

Table des matières

Consignes de sécurité importantes	Page 2
Vue éclatée des pièces et quincaillerie	3
Directives d'assemblage	4
Fonctionnement	7
Rechercher une fuite potentielle	7
Utiliser le barbecue pour la première fois	7
Allumer le barbecue	7
Eteindre le barbecue	7
Cuisson	7
Conseils	7
Comment utiliser le charbon de bois	7
Nettoyage et entretien	8
Enregistrement de l'appareil	8
Garantie limitée	8
Guide de dépannage	9

L'utilisation et l'installation de cet appareil doivent être conformes aux codes locaux. En l'absence de codes locaux, suivez le Code national du gaz et des combustibles, les normes ANSI Z223.1/NFPA 54, CAN/CGA-B149.1 et le Code d'installation du gaz naturel et du propane.

Fabriquée en Chine pour:

Blue Rhino Global Sourcing, LLC
Winston-Salem, NC 27105 États-Unis
1.800.762.1142, www.bluerhino.com

© 2007 Blue Rhino Global Sourcing, LLC. Tous droits réservés.

UniFlame® est une marque déposée de Blue Rhino Global Sourcing, LLC. Tous droits réservés.

Free Manuals Download Website

<http://myh66.com>

<http://usermanuals.us>

<http://www.somanuals.com>

<http://www.4manuals.cc>

<http://www.manual-lib.com>

<http://www.404manual.com>

<http://www.luxmanual.com>

<http://aubethermostatmanual.com>

Golf course search by state

<http://golfingnear.com>

Email search by domain

<http://emailbydomain.com>

Auto manuals search

<http://auto.somanuals.com>

TV manuals search

<http://tv.somanuals.com>