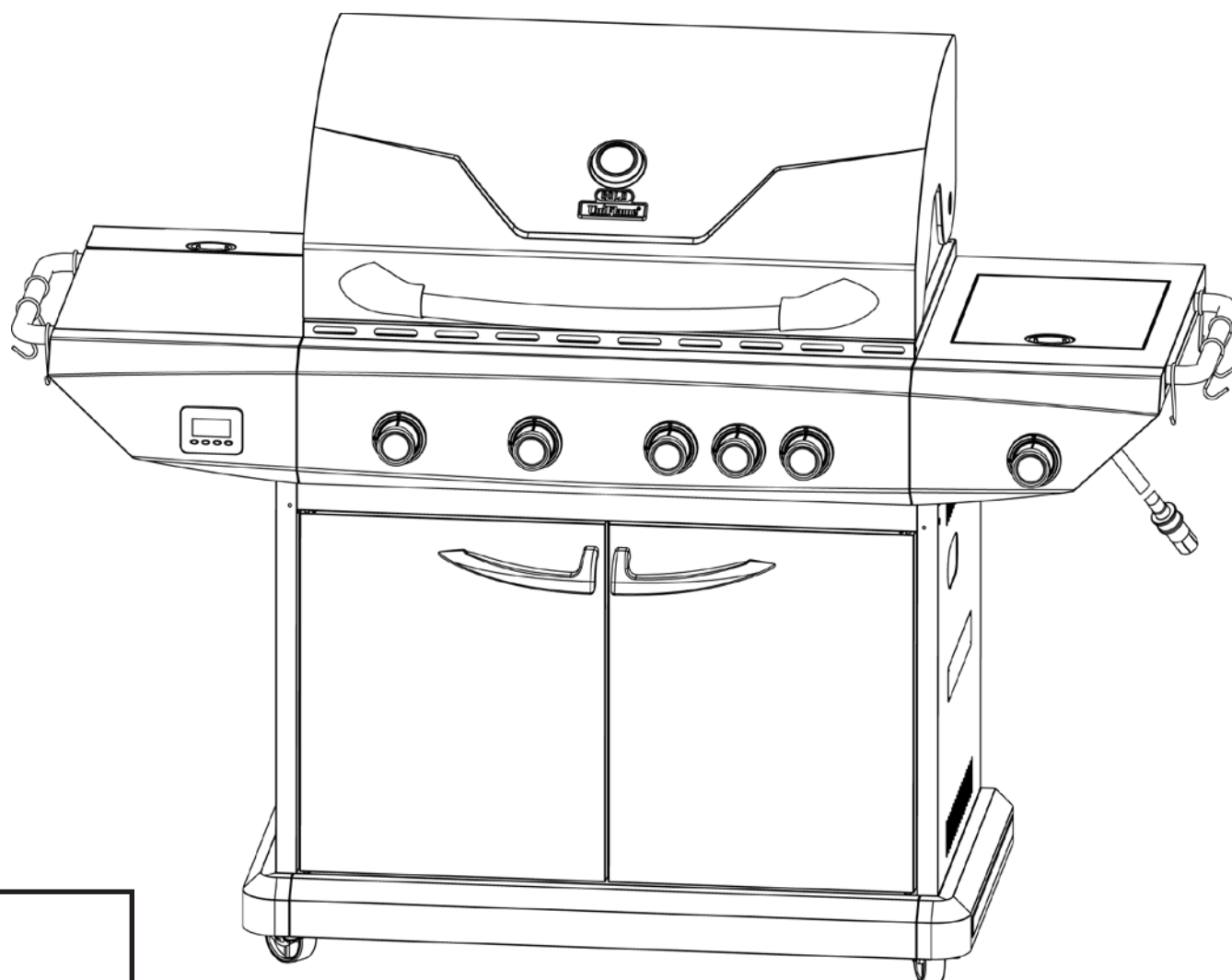


Outdoor Natural Gas Barbecue Grill

Model No. GBC873WNG



WARNING
FOR YOUR SAFETY:
For Outdoor Use Only
(outside any enclosure)

WARNING
FOR YOUR SAFETY:

- 1. Improper installation, adjustment, alteration, service or maintenance can cause injury or property damage.**
- 2. Read the installation, operation, and maintenance instructions thoroughly before installing or servicing this equipment.**
- 3. Fuel system must be installed by a qualified and licensed personnel. Improper installations present hazards, which can lead to personal injury or property damage. Please contact your local Natural Gas supplier for these services.**
- 4. Failure to follow these instructions could result in fire or explosion, which could cause property damage, personal injury, or death.**

California Proposition 65: Combustion by-products produced when using this product contain chemicals known to the State of California to cause cancer, birth defects, and other reproductive harm.

Table of Contents

Important Safeguards	Page 2
Exploded View & Hardware	3
Assembly Instructions	4
Connecting to Natural Gas Line	10
Operating Instructions	10
Checking for Leaks	10
Operating Main Burners	10
Operating Sear Burner	10
Operating Side Burner	11
Operating Infrared Back Burner	11
Cooking Tips	11
Operating Digital Timer	12
Cleaning and Care	12
Product Registration	12
Limited Warranty	13
Troubleshooting	14

The use and installation of this product must conform to local codes. In absence of local codes, use the *National Fuel Gas Code, ANSI Z223.1/NFPA 54, CAN/CGA-B149.1, Natural Gas and Propane Installation Code.*

Prior to installation, contact your municipality for local building codes and your local fire department for installation verification.


Save these instructions for future reference. If you are assembling this unit for someone else, give this manual to him or her to read and save for future reference.

Manufactured in China for:
Blue Rhino Global Sourcing, Inc
Winston-Salem, NC USA
1.800.762.1142, www.bluerhino.com

© 2007 Blue Rhino Global Sourcing, Inc. All Rights Reserved
UniFlame® is a Registered Trademark of Blue Rhino Global Sourcing, Inc.. All Rights Reserved.



DANGER

 If you smell gas -

1. Shut off gas to appliance.
2. Extinguish any open flame.
3. Open lid.
4. If odor continues, keep away from the appliance and immediately call your gas supplier or your fire department.

WARNING
FOR YOUR SAFETY

 Do not store or use gasoline or other flammable liquids or vapors in the vicinity of this or any other appliance.

▲ DANGER: Failure to follow the dangers, warnings and cautions in this manual may result in serious bodily injury or death, or in a fire or an explosion causing damage to property.

▲ WARNING:

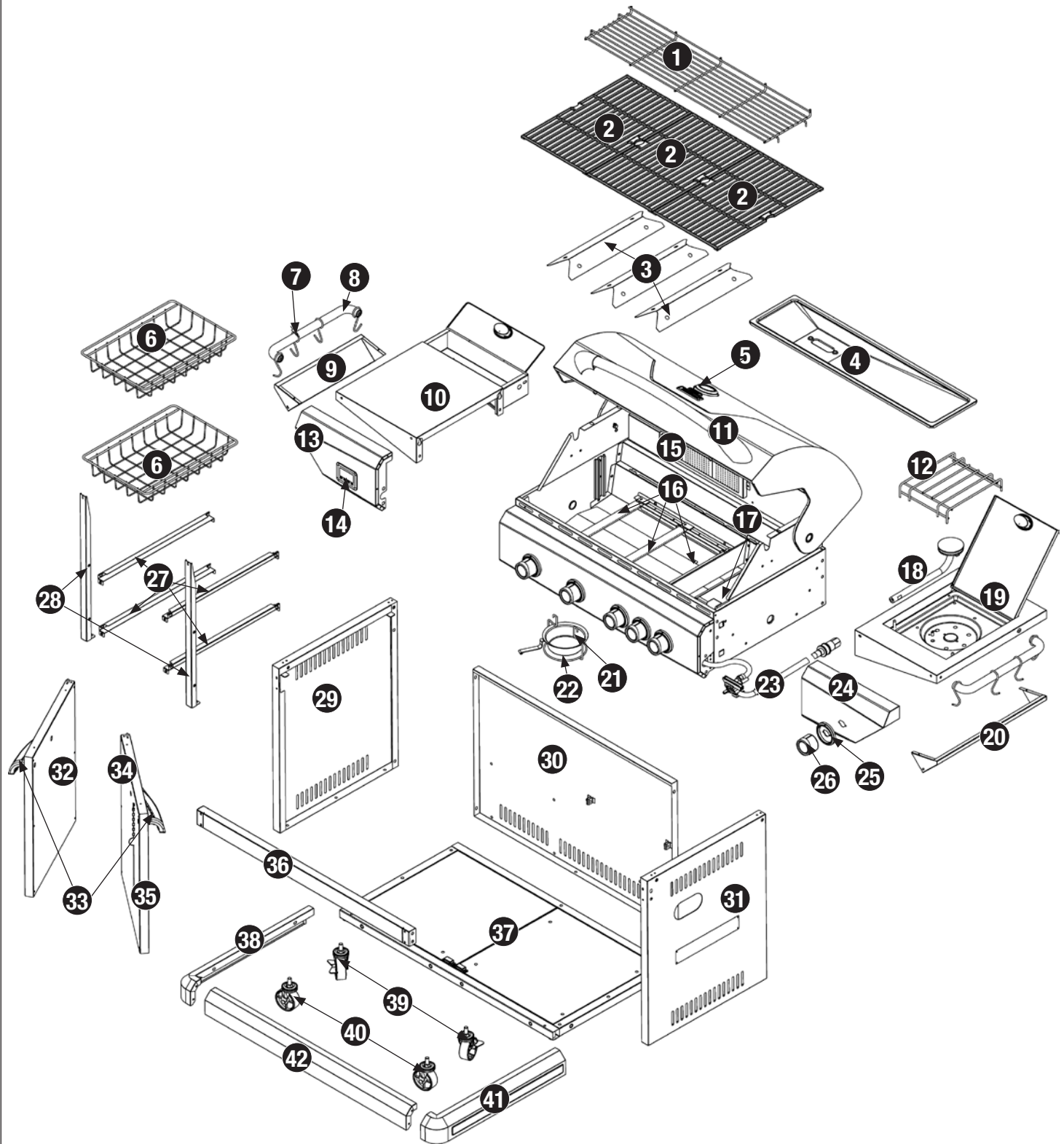
- ▲ This grill is for outdoor use only, and shall not be used in a building, garage, or any other enclosed area.
- ▲ Do NOT operate, light or use this appliance within 8 feet of walls, structures or buildings.
- ▲ This grill is NOT for commercial use.
- ▲ This grill is for use with Natural Gas (NG) gas only. The conversion to or attempted use of liquid propane gas (LP) in this NG gas grill is dangerous and will void your warranty.
- ▲ Installation and repairs should be done by a qualified service person.
- ▲ NG Characteristics:
 - a. NG is flammable and hazardous if handled improperly. Become aware of the characteristics before using any NG product.
 - b. NG is explosive under pressure, heavier than air, and settles and pools in low areas.
 - c. NG in its natural state has no odor. For your safety, an odorant is added that smells like rotten cabbage.
 - d. Contact with NG can cause freeze burns to skin.
 - e. A fire causing, serious injury or damage to property may occur if the above is not followed exactly.
- ▲ Never attempt to attach this grill to the NG system of a camper trailer, or motor home.
- ▲ The use of alcohol, or prescription or non-prescription drugs may impair the consumer's ability to properly assemble or safely operate the appliance.
- ▲ Never use LP gas, charcoal, lighter fluid, lava rocks, gasoline, kerosene, or alcohol with this product.
- ▲ Your grill has been checked at all factory connections for leaks. Recheck all connections, as movement in shipping can loosen connections.
- ▲ Check for leaks even if your unit was assembled for you by someone else.
- ▲ Do not operate if gas leak is present. Gas leaks may cause a fire or explosion.
- ▲ You must follow all leak-checking procedures before operating. To prevent fire or explosion hazard when testing for a leak:
 - a. Always perform leak test before lighting the grill and each time the grill is connected for use.
 - b. No smoking. Do not use or permit sources of ignition in the area while conducting a leak test.
 - c. Conduct the leak test outdoors in a well-ventilated area.
 - d. Do not use matches, lighters, or a flame to check for leaks.
 - e. Do not use grill until any and all leaks are corrected.
If you are unable to stop a leak, turn off the main valve on the NG supply line. Call a gas appliance serviceman or your local NG supplier.
- ▲ The appliance and its individual shutoff valve must be disconnected from the gas supply piping system during any pressure testing of that system at a pressures in excess of 1/2 psig (3.5 kpa).
- ▲ The appliance must be isolated from the gas supply piping system by closing its individual manual shutoff valve during any pressure testing of the gas supply piping system at test pressures equal to or less than 1/2 psig (3.5 kpa).
- ▲ Always perform a leak test on gas connections whenever this grill is serviced. Never use a flame to test for leaks. Do not smoke while performing leak check.
- ▲ Do not store or use gasoline or other flammable liquids or vapors within 25 feet (7.62 m) of this appliance.
- ▲ Do not use in an explosive atmosphere. Keep grill area clear and free from combustible materials, gasoline and other flammable vapors and liquids.
- ▲ Minimum clearance from sides and back of unit to combustible construction, 21 inches from side and 21 inches from back. Do not use this appliance under overhead combustible surfaces.
- ▲ It is essential to keep the grill's valve compartment, burners, and circulating air passages clean. Inspect grill before each use.
- ▲ Do NOT alter grill in any manner.
- ▲ Do not use the grill unless it is COMPLETELY assembled and all parts are securely fastened and tightened.
- ▲ This grill should be thoroughly cleaned and inspected on a regular basis. Clean and inspect the hose before each use of the appliance. If there is evidence of abrasion, wear, cuts, or leaks, the hose must be replaced prior to the appliance being put into operation.
- ▲ Use only the regulator and hose assembly provided. The replacement regulator and hose assembly shall be that specified by the manufacturer.
- ▲ Use only Blue Rhino Global Sourcing, Inc factory authorized parts. The use of any part that is not factory authorized can be dangerous. This will also void your warranty.
- ▲ Do not use this appliance without reading "Operating Instructions" in this manual.
- ▲ Do not touch metal parts of grill until it has completely cooled (about 45 min.) to avoid burns, unless you are wearing protective gear (pot holders, gloves, BBQ mittens, etc.).
- ▲ When cooking, fire extinguishing materials shall be readily accessible. In the event of an oil grease fire, do not attempt to extinguish with water. Use type BC dry chemical fire extinguisher or smother with dirt, sand or baking soda.
- ▲ Do not install or use in or on boats or recreational vehicles.
- ▲ Do not use grill in high winds.
- ▲ Never lean over the grill when lighting.
- ▲ Do not leave a lit grill unattended, especially keep children and pets away from grill at all times.
- ▲ Do not attempt to move grill when in use. Allow the grill to cool before moving or storing.
- ▲ Always open grill lid carefully and slowly as heat and steam trapped within grill can severely burn you.
- ▲ Always place your grill on a hard non-combustible, level surface. An asphalt or blacktop surface may not be acceptable for this purpose.
- ▲ Move gas hoses as far away as possible from hot surfaces and dripping hot grease.
- ▲ Keep all electrical cords away from a hot grill.
- ▲ Do not use grill for indoor cooking or heating. TOXIC fumes can accumulate and cause asphyxiation.
- ▲ After a period of storage and/or nonuse, check for leaks, burner obstructions and inspect for any abrasion, wear, cuts to the hose.
- ▲ Failure to open lid while igniting the grill's burners, or not waiting 5 minutes to allow the gas to clear if the grill does not light, may result in an explosive flame-up.
- ▲ If grill is not in use, the gas must be turned off at the main supply line.
- ▲ Never operate grill without heat plates installed.
- ▲ Always use a meat thermometer to ensure food is cooked to a safe temperature.
- ▲ This grill is designed with to operate at an inlet pressure of 7 inches water column.
- ▲ Please use protective gloves when assembling this product.
- ▲ Do not force parts together as this can result in personal injury or damage to the product.
- ▲ Never cover entire cooking area with aluminum foil.
- ▲ Deaths, serious injury or damage to property may occur if the above is not followed exactly.

Contact 1.800.762.1142 for assistance. Do not return to place of purchase.

Parts List

1	Warming Rack	55-07-551
2	Cooking Grid (3)	55-07-501
3	Heat Plate (3)	55-08-076
4	Grease Tray	55-07-509
5	Thermometer	55-07-547
6	Basket (2)	55-08-067
7	Tool Hook (8)	55-07-549
8	Towel Bar (2)	55-07-548
9	Left Side Shelf Side	55-08-081
10	Left Side Shelf	55-08-079
11	Grill Body Assembly	55-08-074
12	Side Burner Grid	55-07-543
13	Left Side Shelf Front	55-08-402
14	Digital Timer	55-08-073
15	Infrared Back Burner	55-07-513
16	Main Burner (3)	55-08-086
17	Sear Burner	55-08-109
18	Side Burner	55-08-110
19	Right Side Shelf	55-08-094
20	Right Side Shelf Side	55-08-096
21	Grease Cup	55-07-507
22	Grease Cup Support	55-07-508
23	Regulator	55-08-386
24	Right Side Shelf Front	55-08-095
25	Control Knob Support (6)	55-08-071
26	Control Knob (6)	55-08-070
27	Basket Support A (4)	55-08-065
28	Basket Support B (2)	55-08-066
29	Left Cart Panel	55-08-077
30	Rear Cart Panel	55-08-090
31	Right Cart Panel	55-08-092
32	Left Door	55-08-078
33	Door Handle (2)	55-08-011
34	Right Door	55-08-093
35	Lighting Rod	55-07-520
36	Front Cart Support	55-07-505
37	Base Cart Panel	55-08-396
38	Left Skirt	55-08-082
39	Locking Wheel (2)	55-07-528
40	Wheel (2)	55-07-506
41	Right Skirt	55-08-097
42	Center Skirt	55-08-069

Exploded View

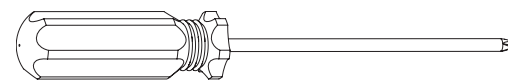


Hardware

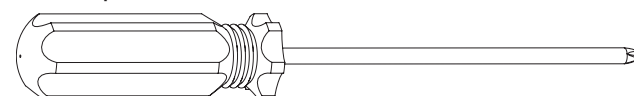
A	Screw	M4x8 Nickel Plated Phillips Truss Head	20 pcs
B	Screw	M6x15 Nickel Plated Phillips Truss Head	25 pcs
C	Screw	M6x15 Nickel Plated Hex Head	21 pcs
D	Screw	M6x46 Nickel Plated Phillips Truss Head	11 pcs
E	Nut	M6 Zinc Plated	7 pcs
F	Washer	ø6.5 Nickel Plated	8 pcs
G	AAA Batteries		2 pcs

Tools Required for Assembly (Included)

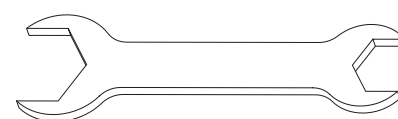
#1 Phillips Head Screwdriver



#2 Phillips Head Screwdriver



M10-M6 Wrench



Assembly Instructions

1 DO NOT RETURN PRODUCT TO STORE.

For assistance call **1.800.762.1142** toll free. Please have your owner's manual and serial number available for reference.

Note: The serial number can be found on the back of the cart assembly.

For Easiest Assembly:

- To avoid losing any small components or hardware, assemble your product on a hard level surface that does not have cracks or openings.
- Clear an area large enough to layout all components and hardware.
- When applicable, tighten all hardware connections by hand first. Once the step is completed go back and fully tighten all hardware.
- Follow all steps in order to properly assemble your product.

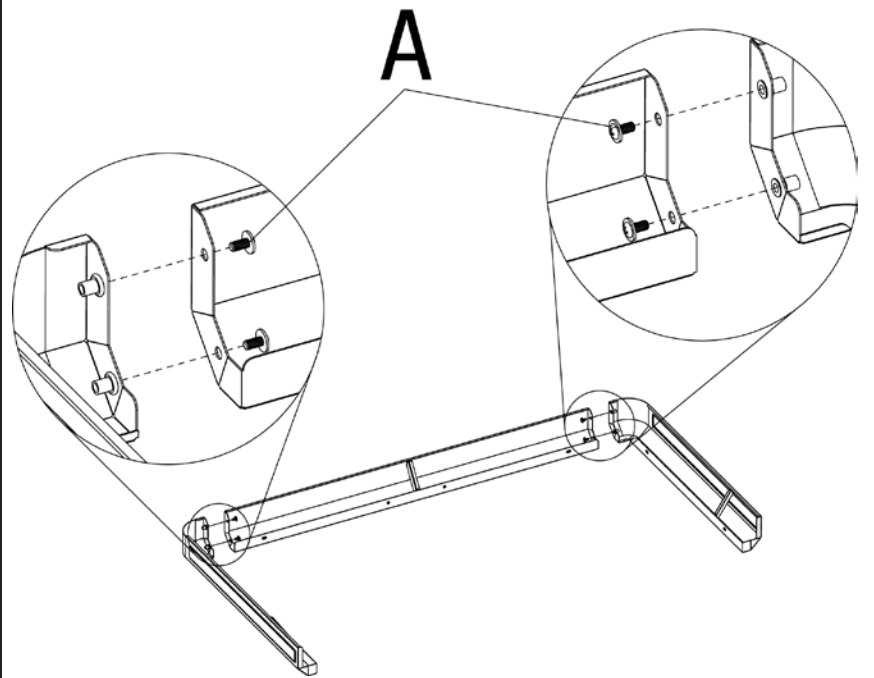
To complete assembly you will need:

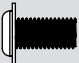
- (1) Leak Detection Solution (Instructions on how to make solution are included in the "Operating Instructions" section of this manual)

Note: You must follow all steps to properly assemble the grill.

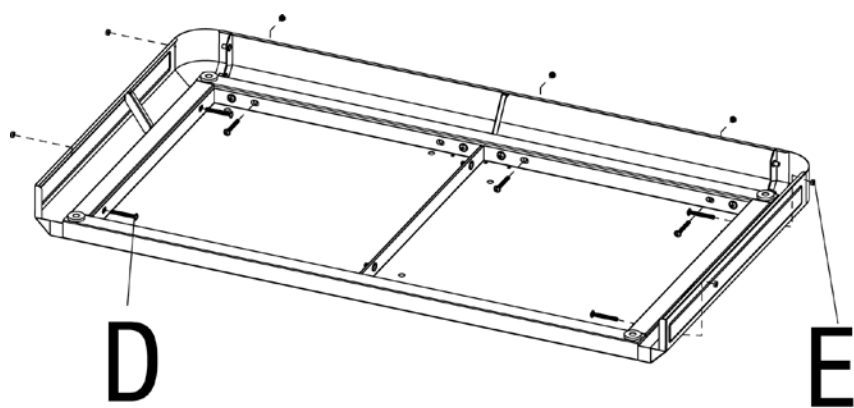
Typical assembly: approximately 1 (one) hour.

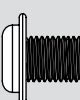
2 Assemble Skirt



A  x 4

3 Attach Skirt to Base Cart Panel

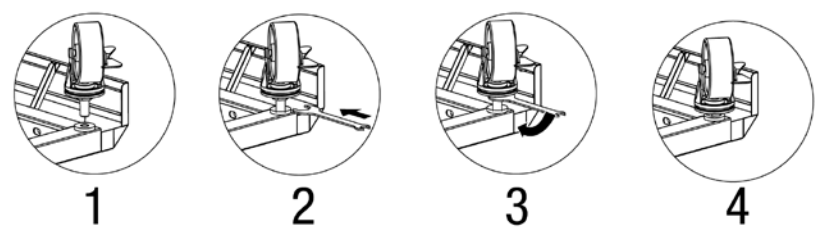
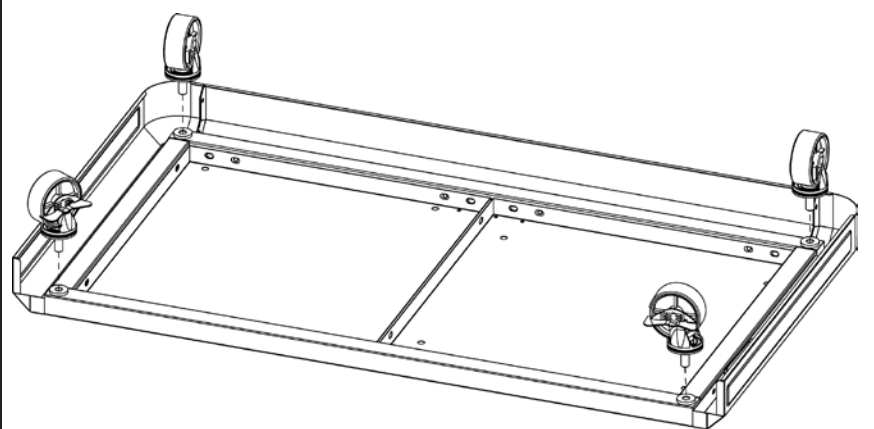


D  x 7

E  x 7

4 Attach Wheels

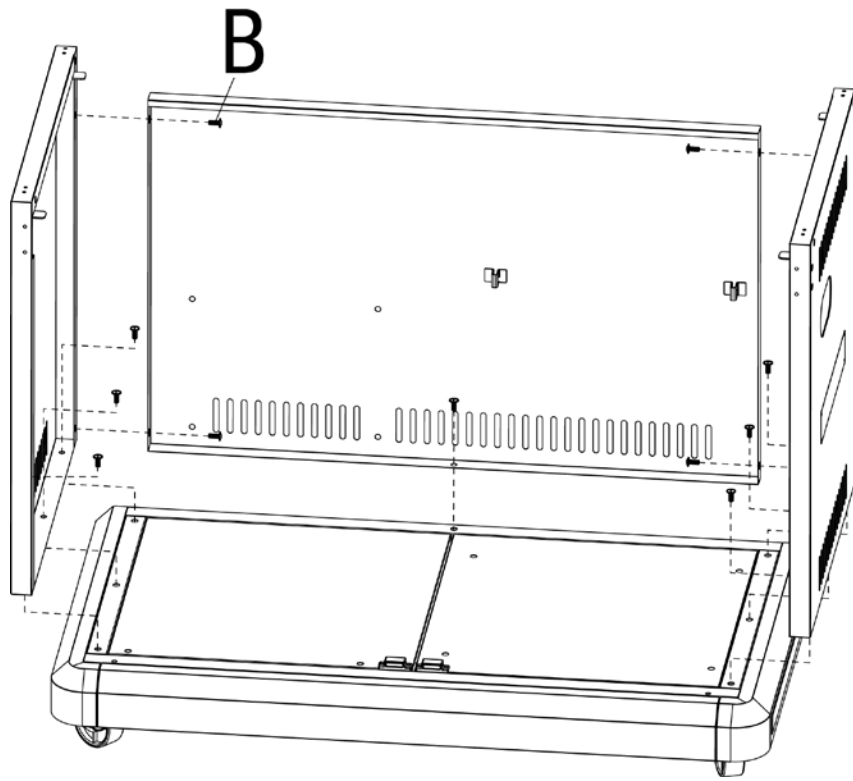
Note: Locking wheels should be placed at the back.




Contact 1.800.762.1142 for assistance. Do not return to place of purchase.

5

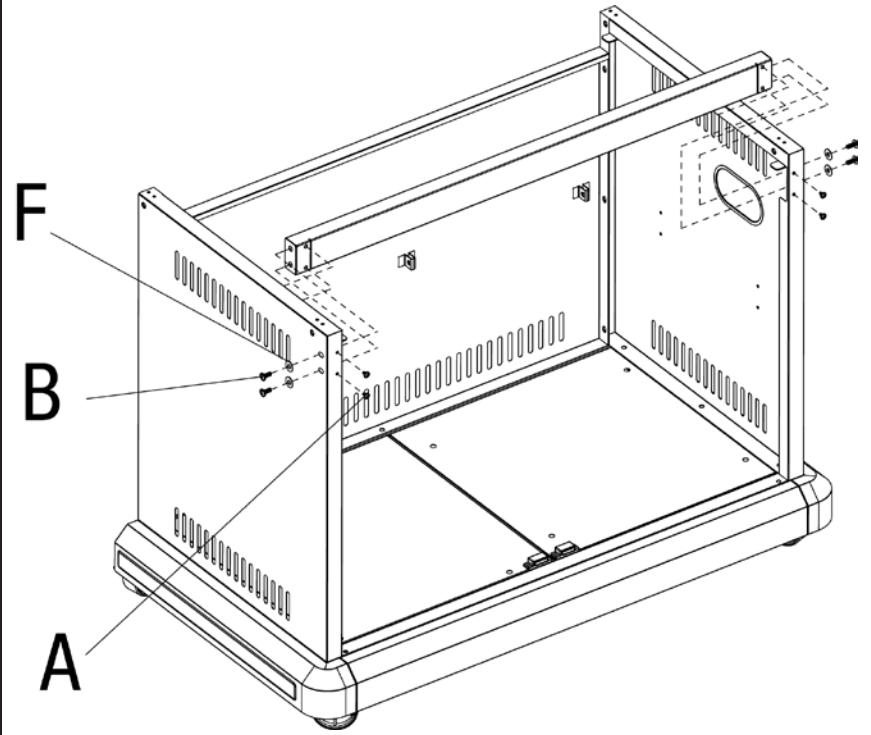
Attach Back and Side Panels




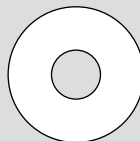
B  x 11


6

Attach Front Cart Support



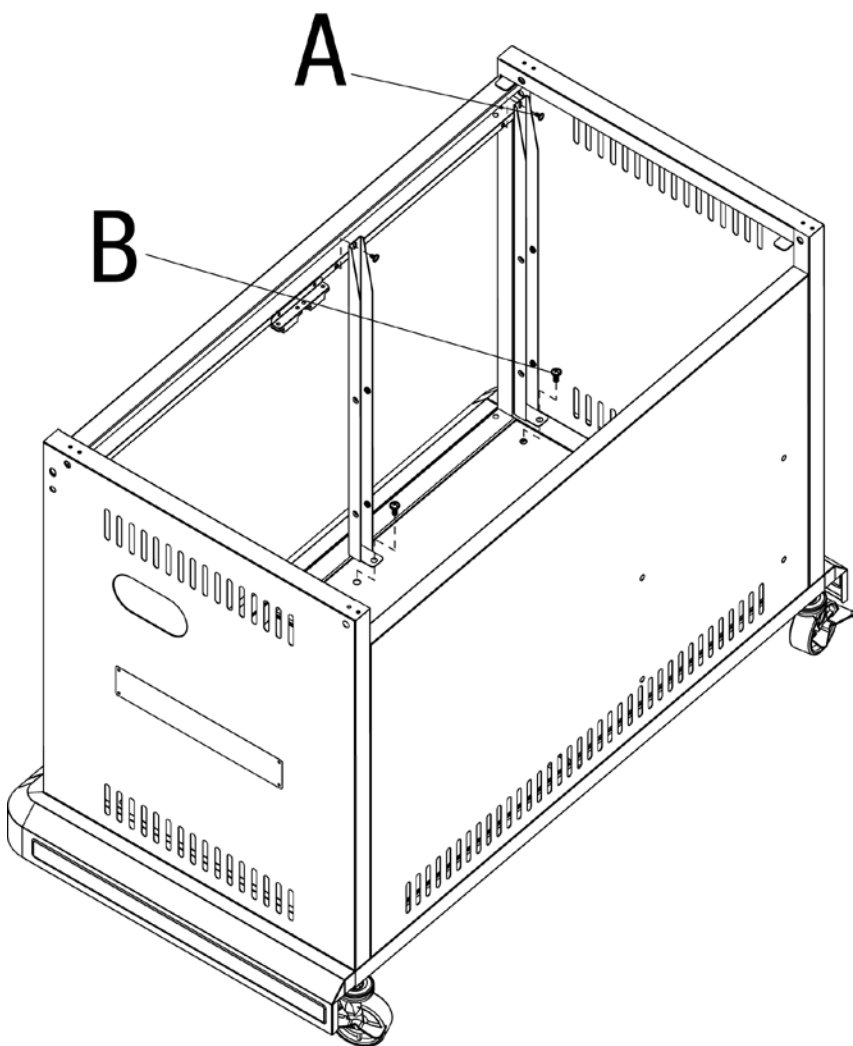
A  x 4


F  x 4


B  x 4

7

Attach Basket Supports B

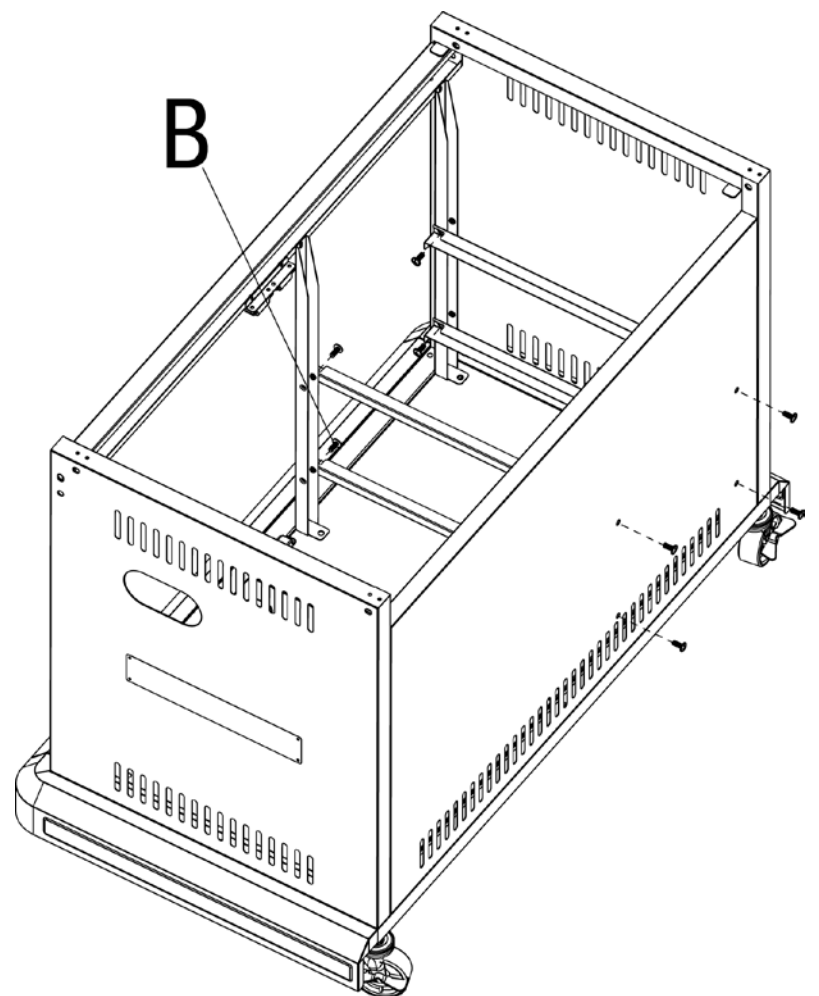



A  x 2

B  x 2

8

Attach Basket Supports A

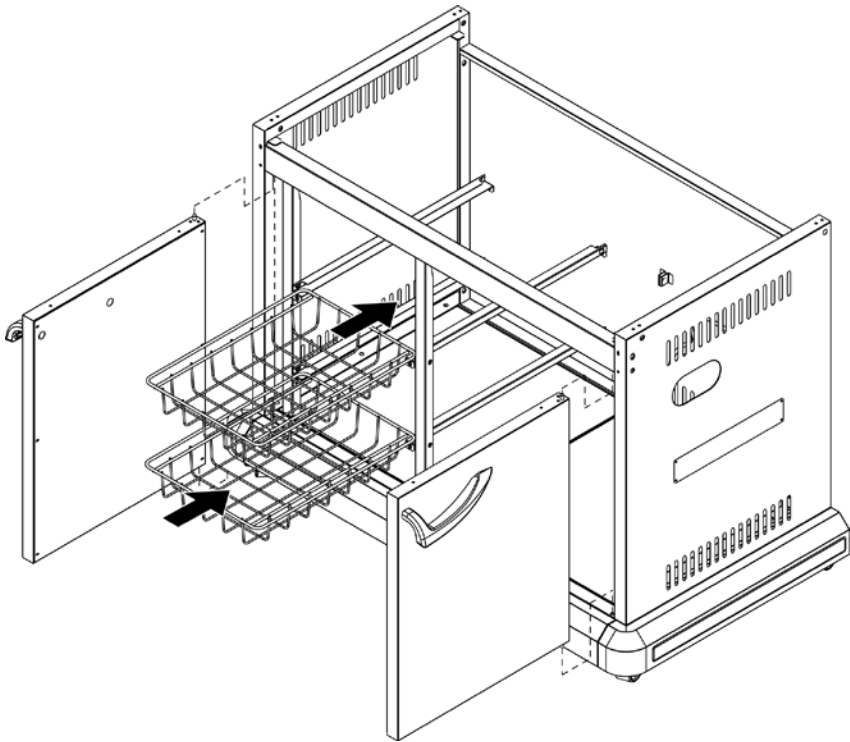


B  x 8

Assembly Instructions (continued)

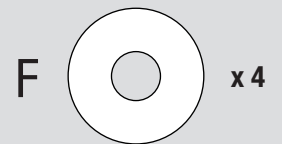
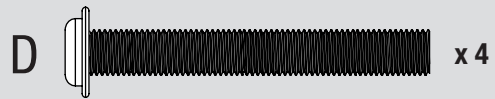
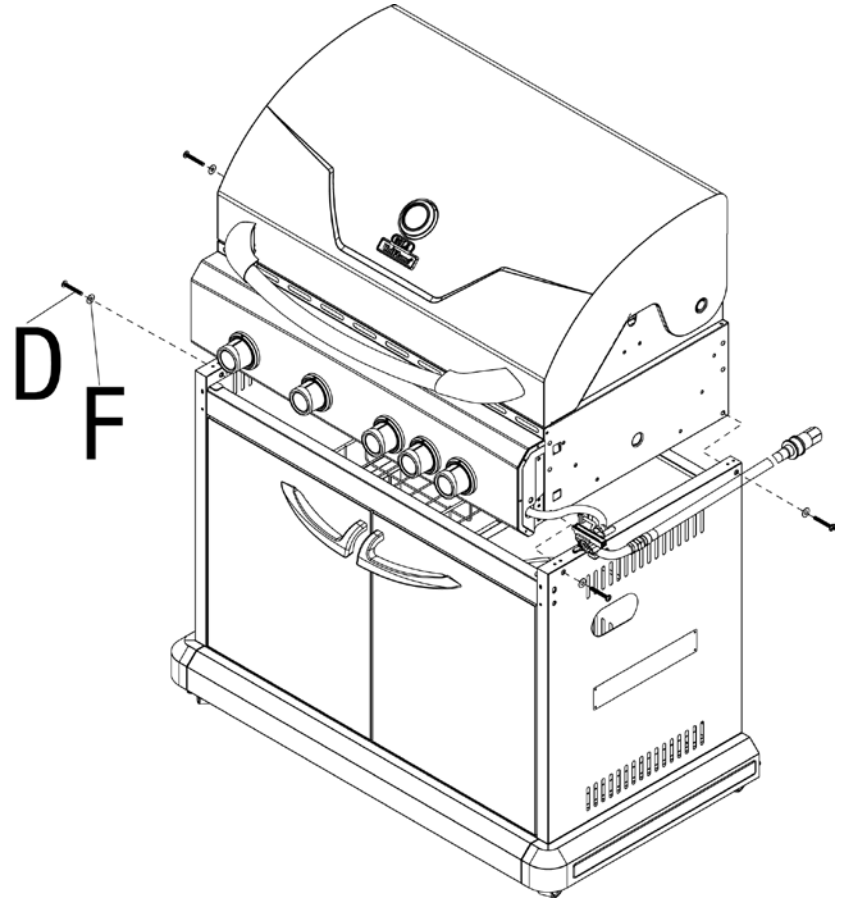
9

Attach Doors and Insert Baskets



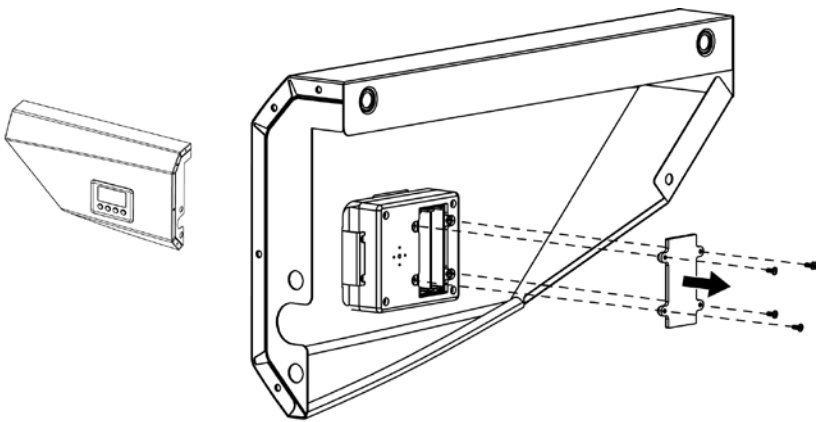
10

Attach Grill Body

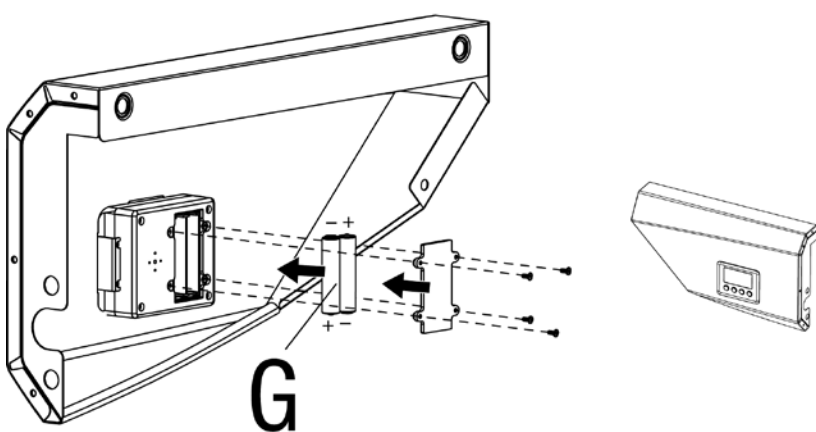


11

Remove Digital Timer Battery Cover

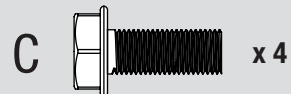
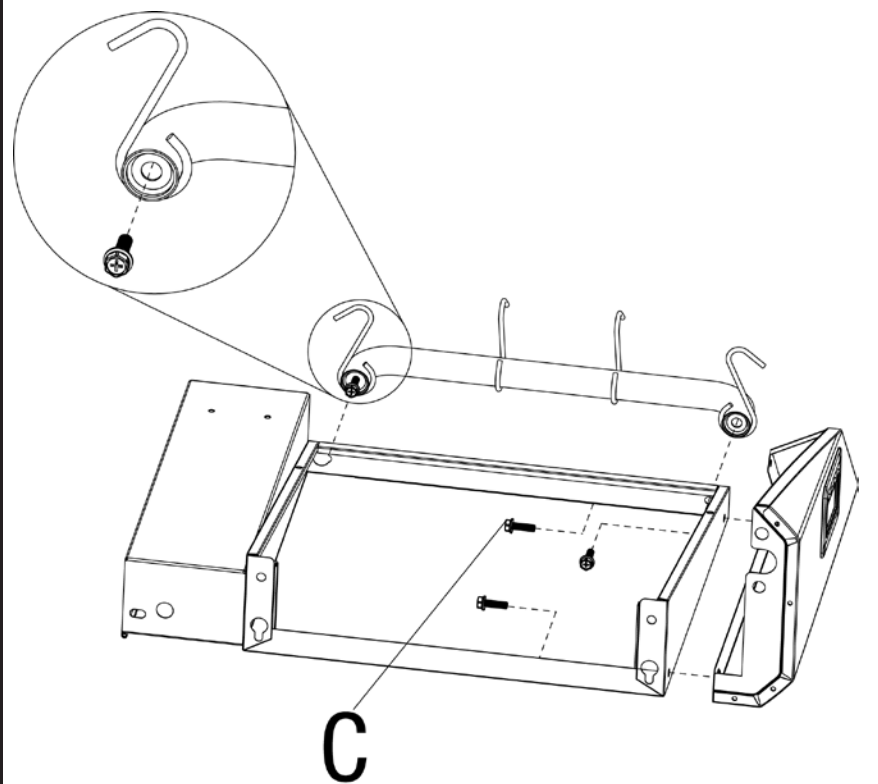


Install Digital Timer AAA Batteries



12

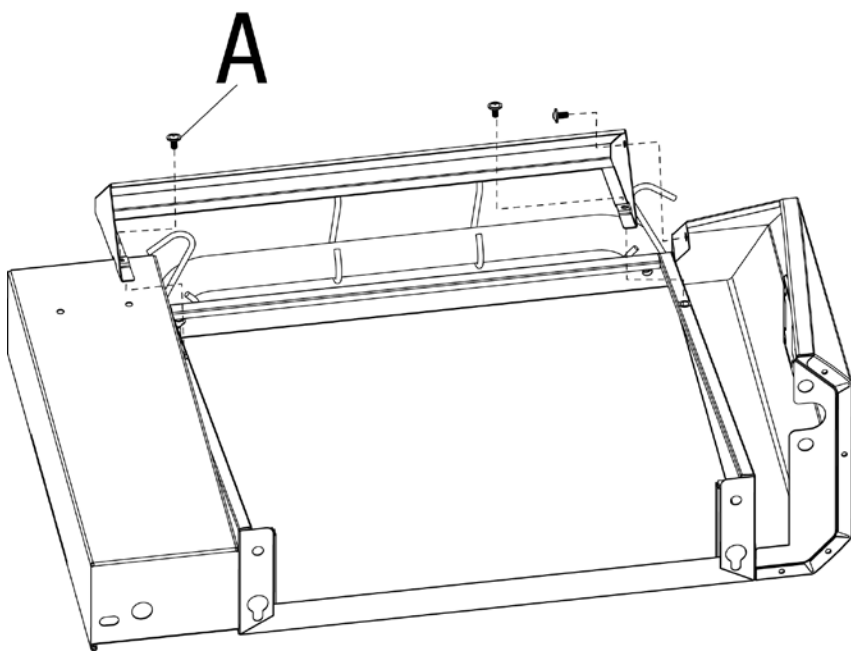
Attach Left Side Shelf Front and Towel Bar

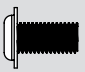


Contact 1.800.762.1142 for assistance. Do not return to place of purchase.

13

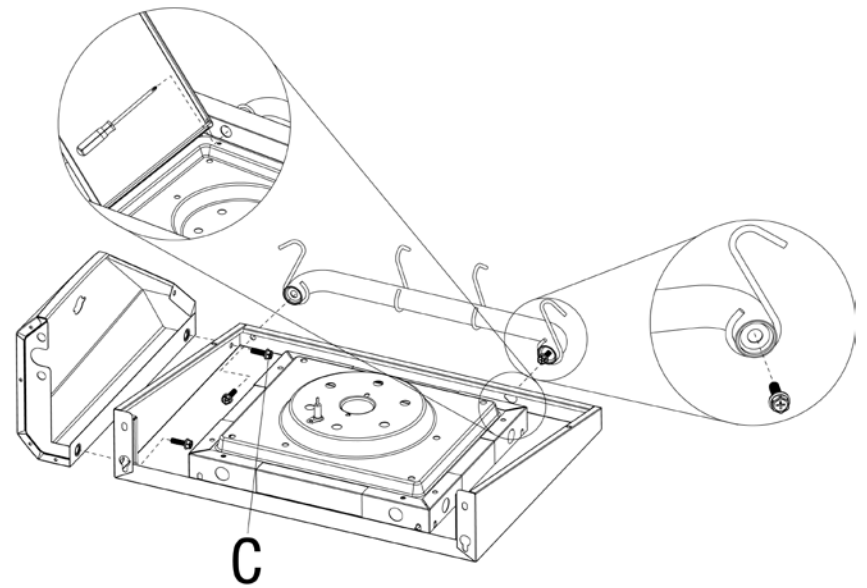
Attach Left Side Shelf Panel

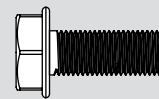


A  x 3

14

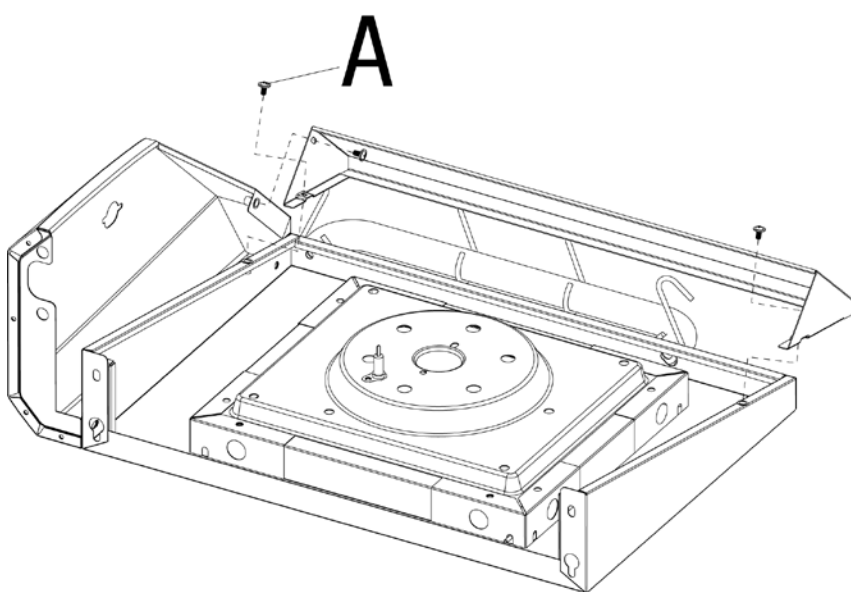
Attach Right Side Shelf Front and Towel Bar

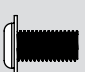


C  x 4

15

Attach Right Side Shelf Panel

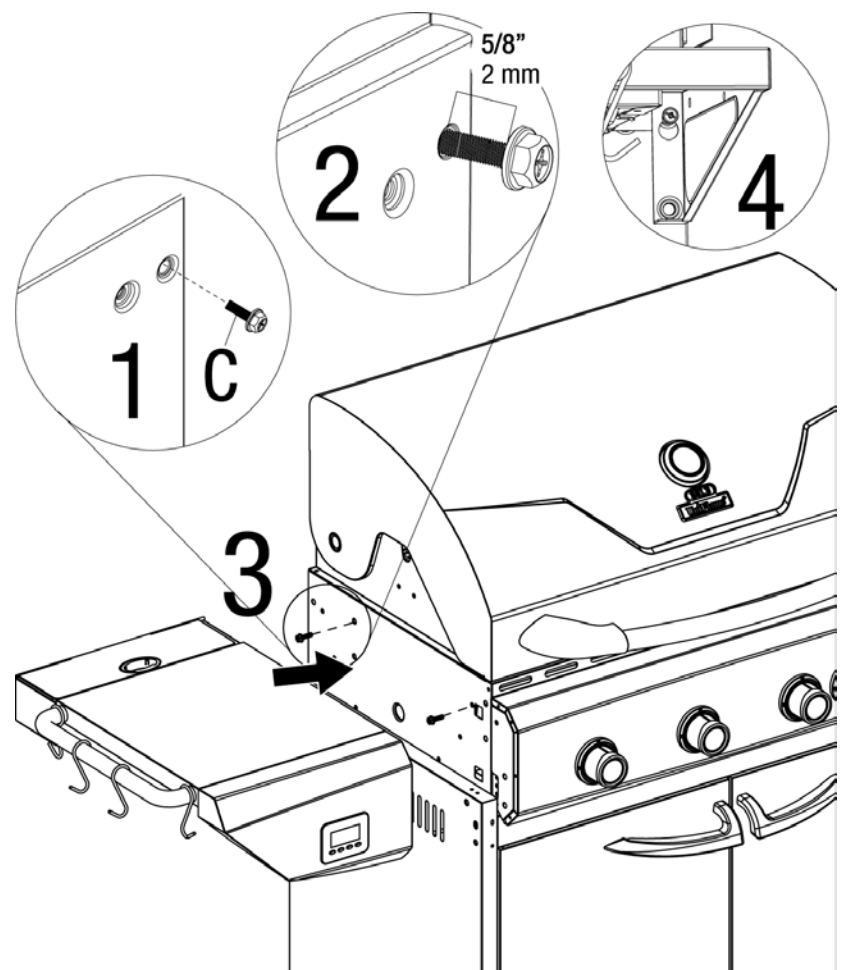


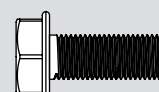
A  x 3

16

Attach Left Side Shelf Assembly

Note: Leave 5/8" (2 mm) of bolt threads exposed. Do not fully tighten until step 18.

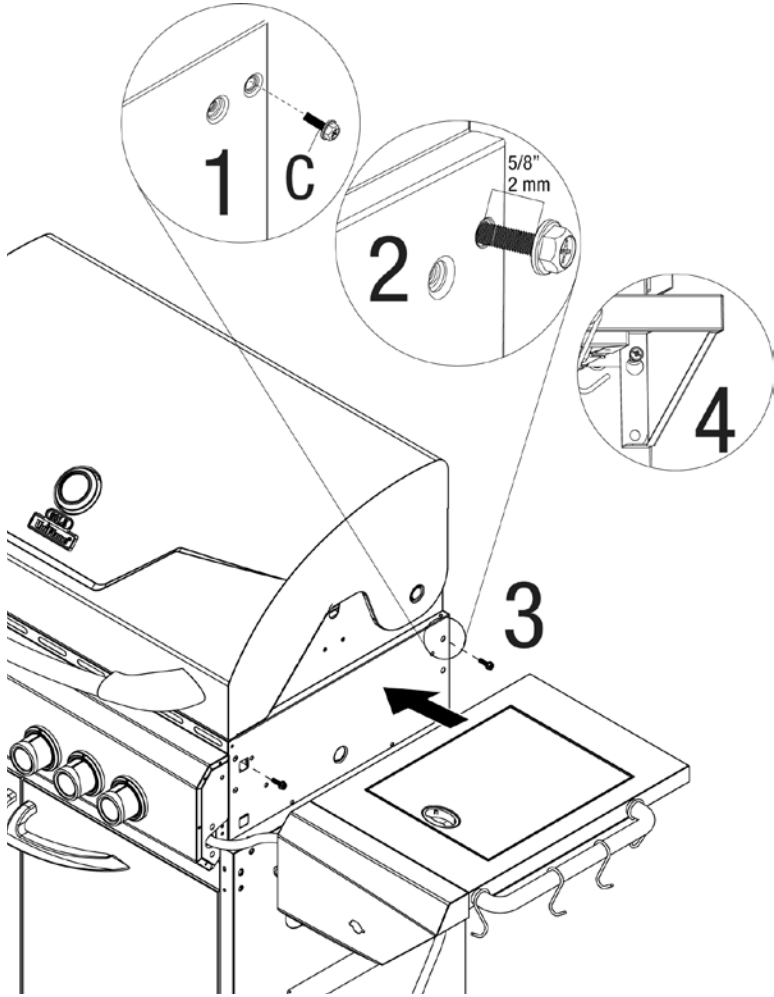


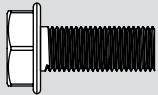
C  x 2

Assembly Instructions (continued)

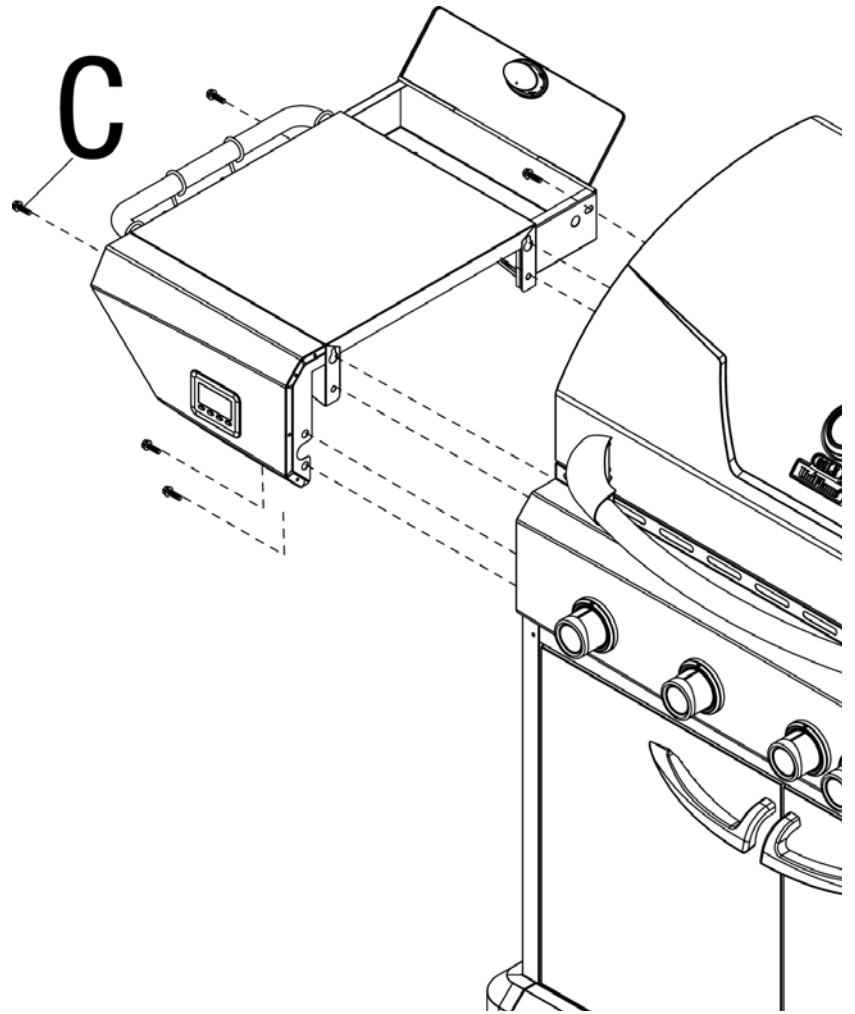
17 Attach Right Side Shelf Assembly

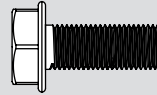
Note: Leave 5/8" (2 mm) of bolt threads exposed. Do not fully tighten until step 19.



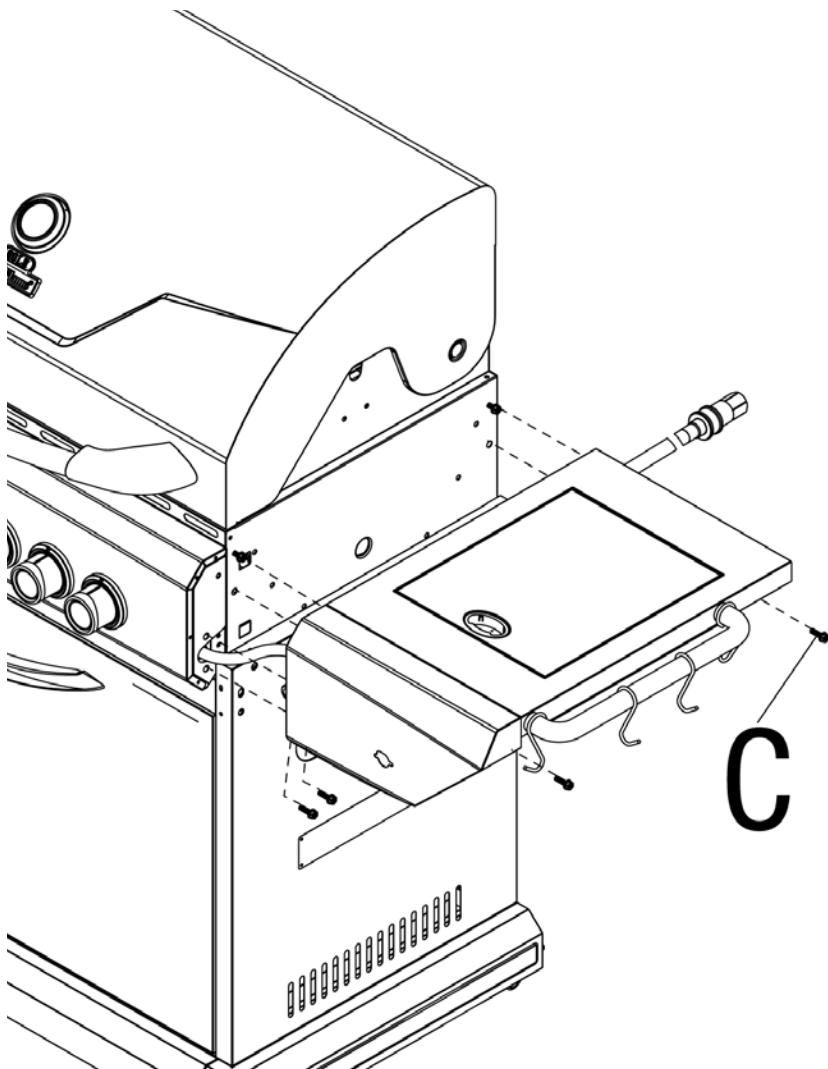
C  x 2

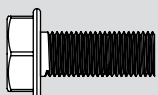
18 Secure Left Side Shelf Assembly



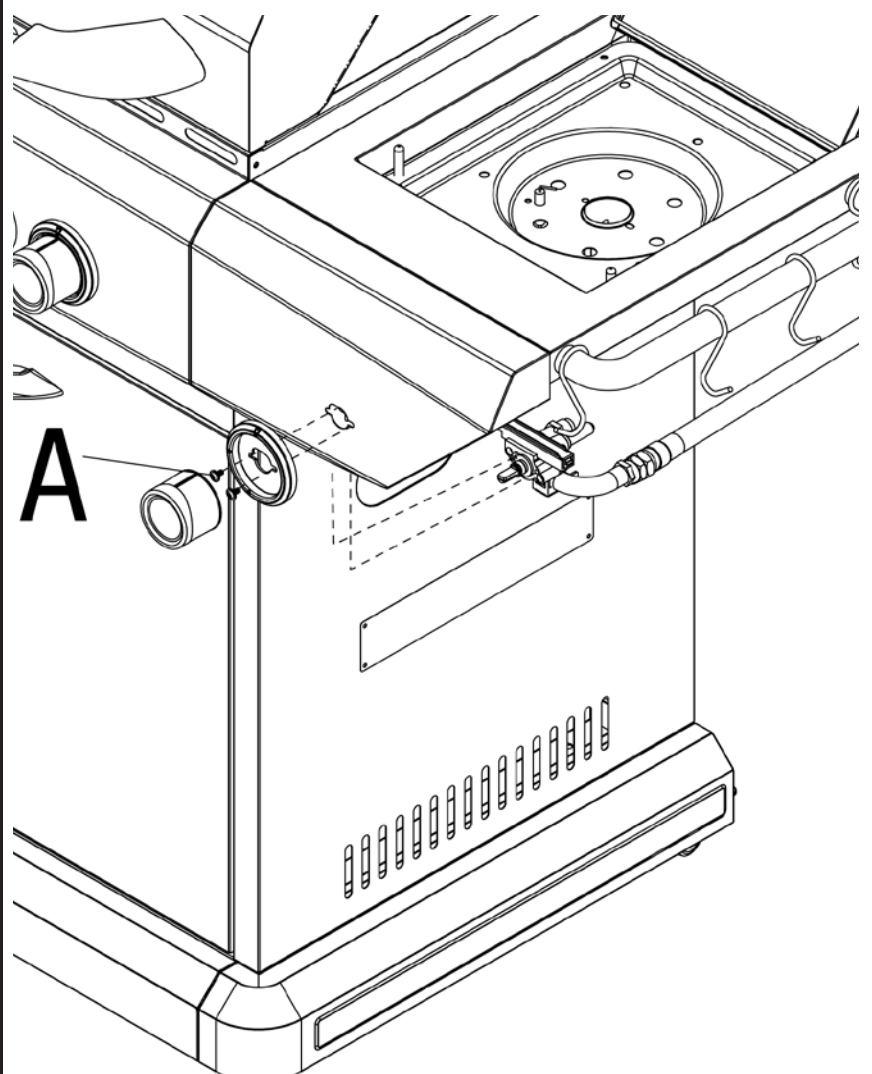
C  x 5

19 Secure Right Side Shelf Assembly



C  x 4

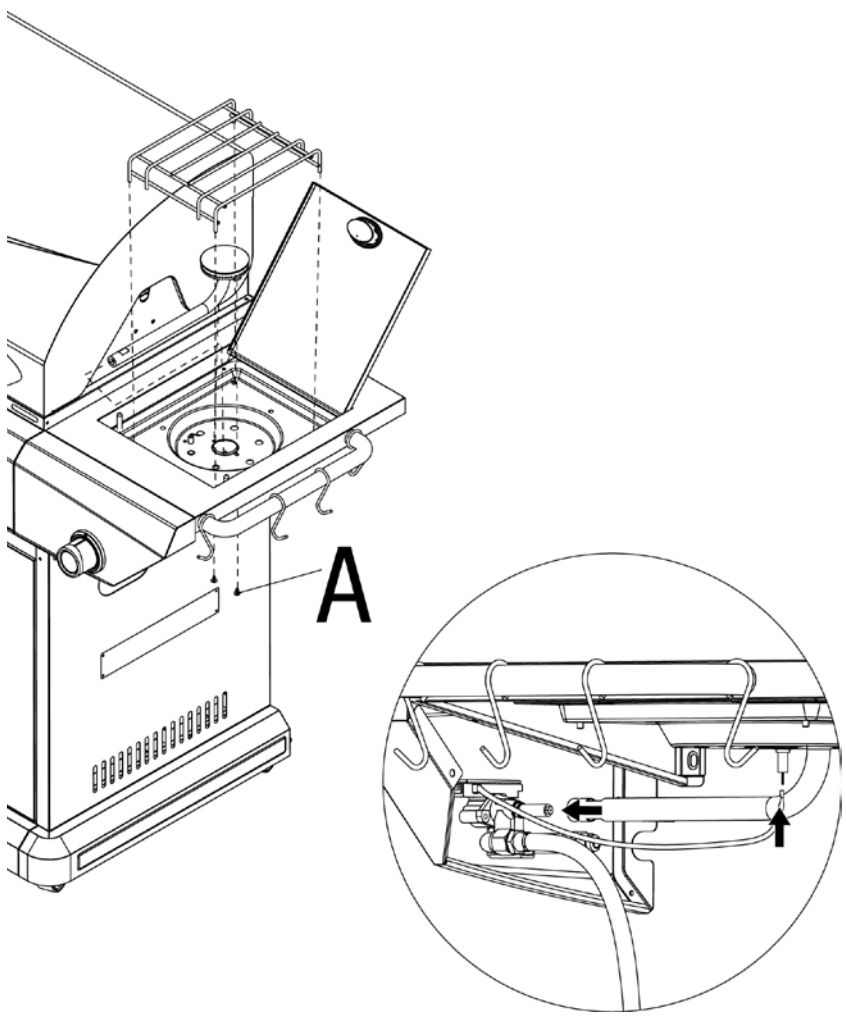
20 Attach Regulator, Control Knob Support and Control Knob

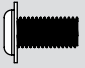


A  x 2

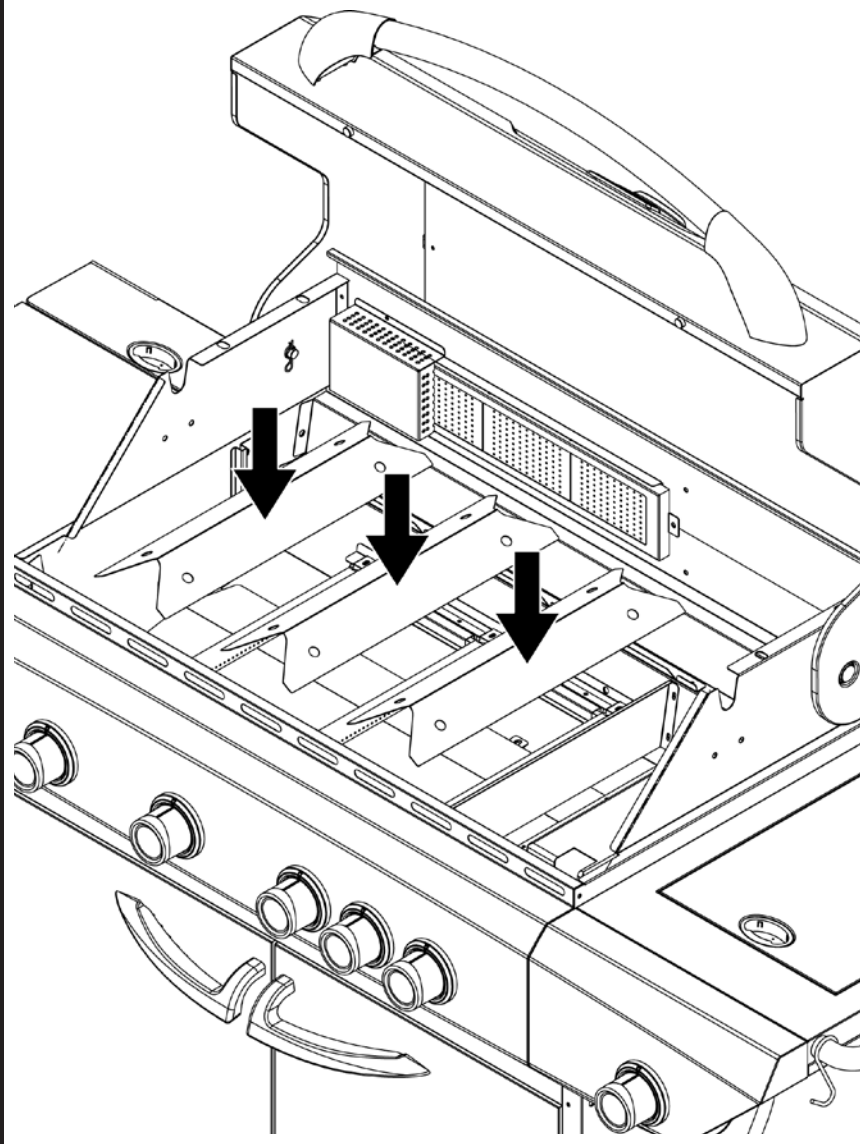
Contact 1.800.762.1142 for assistance. Do not return to place of purchase.

21 Attach Side Burner, Side Burner Grid, and Igniter Wire

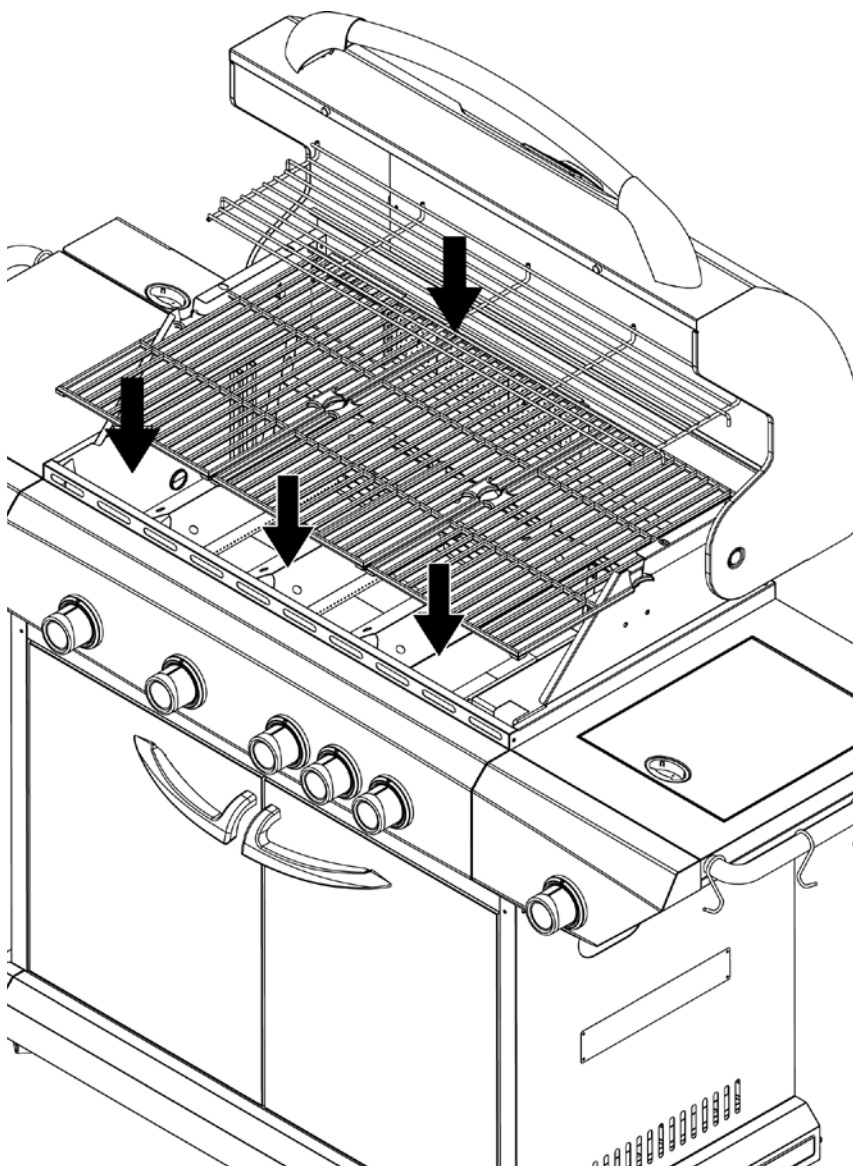


A  x2

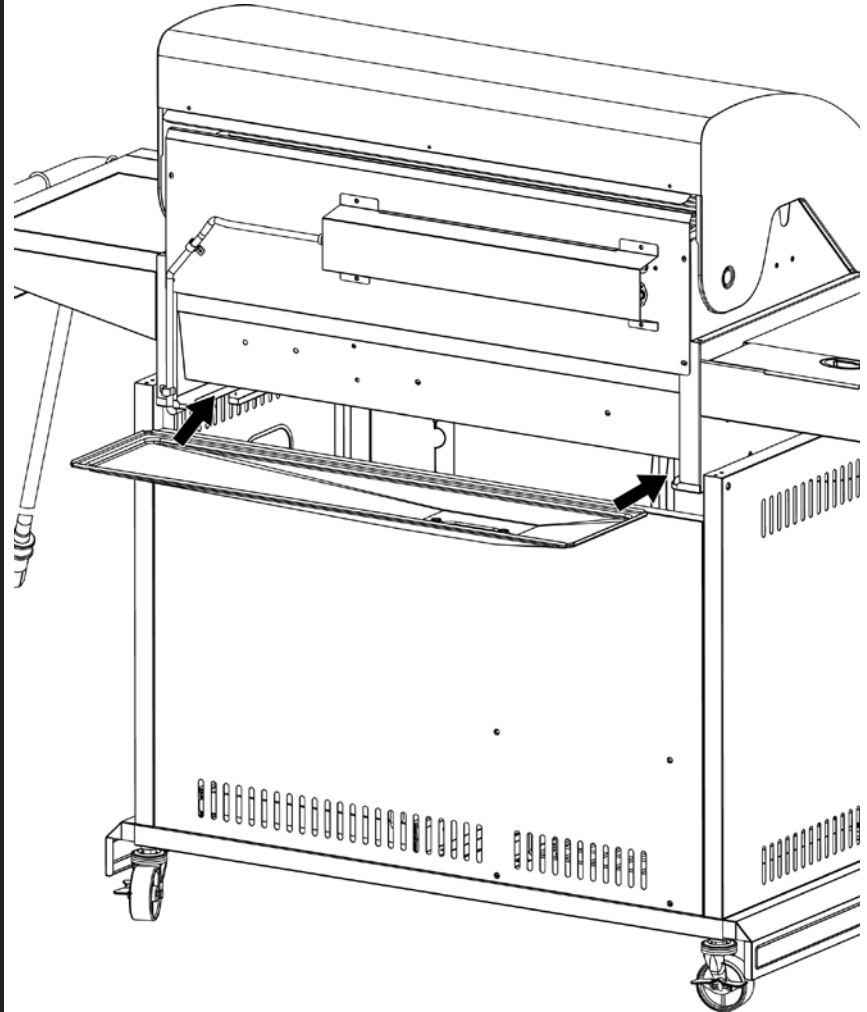
22 Insert Heat Plates



23 Insert Cooking Grid and Warming Rack



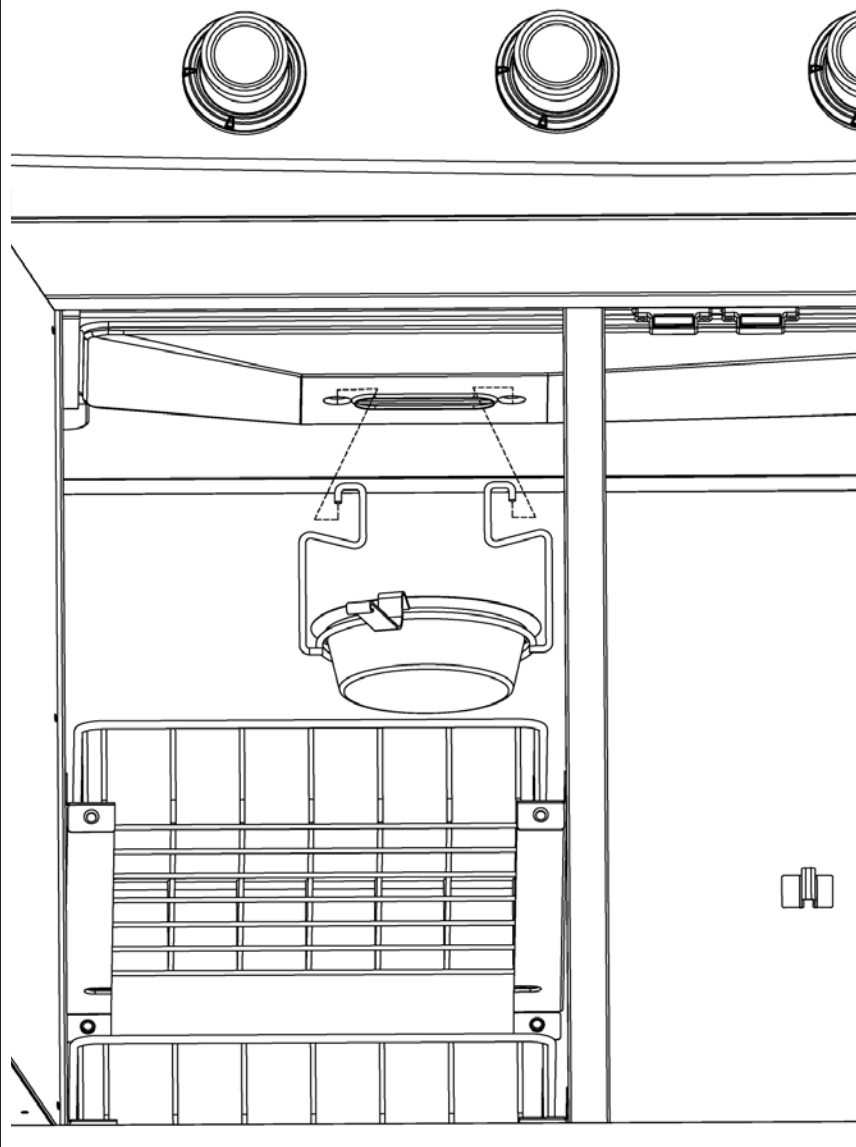
24 Attach Grease Tray



Assembly Instructions (continued)

25

Attach Grease Cup and Grease Cup Support



Installing Natural Gas Line

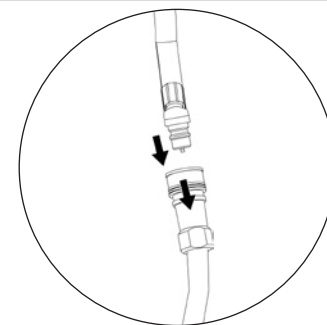
Installation should be done by a qualified service person.

CAUTION: If young children are in the area, a locking valve should be considered.

Connect Natural Gas Line

Before connecting, be sure that there is no debris caught in the head of the natural gas line, head of the grill natural gas line or in the head of the burner and burner ports.

Connect grill natural gas line to natural gas line.



Disconnect Natural Gas Line

Before disconnecting make sure the natural gas line valve is "OFF".

Disconnect grill natural gas line from natural gas line.

Operating Instructions

Checking for Leaks

Burner Connections

1. Make sure the regulator valve and hose connections are securely fastened to the burner and the gas line.

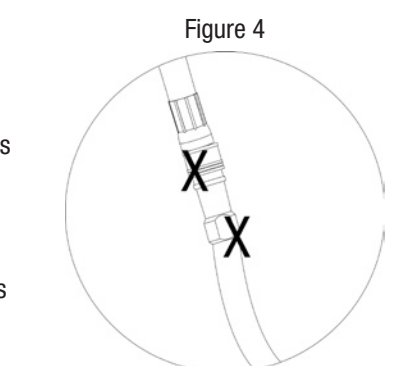
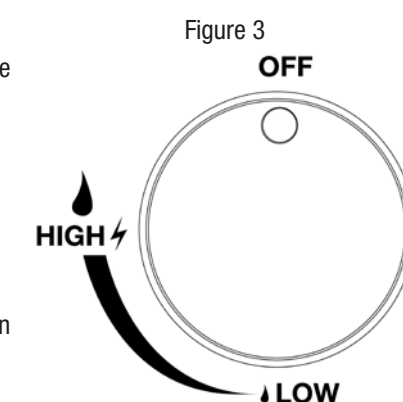
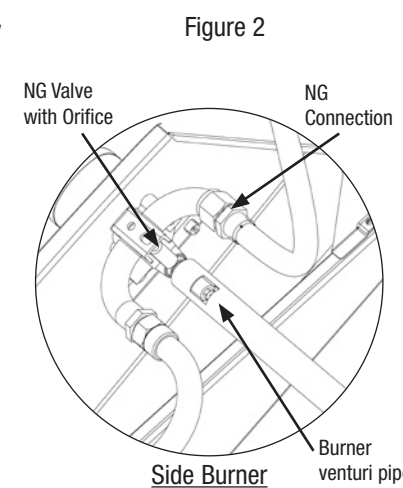
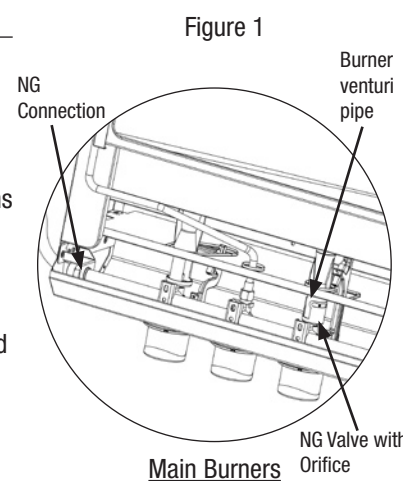
If your unit was assembled for you, visually check the connection between the burner venturi pipe and orifice. Make sure the burner venturi pipe fits over the orifice.

⚠ WARNING: Failure to inspect this connection or follow these instructions could cause a fire or an explosion which can cause death, serious bodily injury, or damage to property.

2. Please refer to diagram for proper installation. (Figure 1 and 2)
3. If the burner pipe does not rest flush to the orifice, please contact 1.800.762.1142 for assistance.

Tank/Gas Line Connection

1. Make 2-3 oz. of leak solution by mixing one part liquid dishwashing soap with three parts water.
2. Make sure control knobs are "OFF". (Figure 3)
3. Turn "ON" natural gas main valve.
4. Spoon leak check solution at all "X" locations (Figure 4)
 - a. If any bubbles appear turn natural gas main valve "OFF", reconnect and re-test.
 - b. If you continue to see bubbles after several attempts, turn natural gas main valve "OFF" and disconnect natural gas line and contact 1.800.762.1142 for assistance.
 - c. If no bubbles appear after one minute turn natural gas main valve "OFF", wipe away solution and proceed.



Operating Main Burners

First Use

1. Make sure all labels, packaging and protective films have been removed from the grill.
2. Remove manufacturing oils before cooking on this grill for the first time, by operating the grill for at least 15 minutes on "HIGH" with the lid closed. This will "heat clean" the internal parts and dissipate odors.

Operating Instructions (continued)

Lighting

1. Open lid. Attempting to light the burner with the lid closed may cause an explosion!
2. Make sure there are no obstructions of airflow to the gas unit. Spiders and insects can nest within and clog the burner / venturi tube at the orifice. A clogged burner tube can lead to a fire beneath the appliance.
3. All control knobs must be in the "OFF" position.
4. Turn "ON" natural gas main valve.
5. Push and turn control knob slowly about 1/4 turn counter clockwise until a click is heard. The burner should light. If the burner does not light, repeat up to three times.
6. If ignition does not occur in 5 seconds, turn burner control knob OFF, wait 5 minutes, and repeat lighting procedure.
7. If igniter does not light burner, use a lit match secured with the lighting rod provided to light burners manually. Access the burners through the cooking grid and heat plates. Position the lit match near side of the burner. (Figure 5)

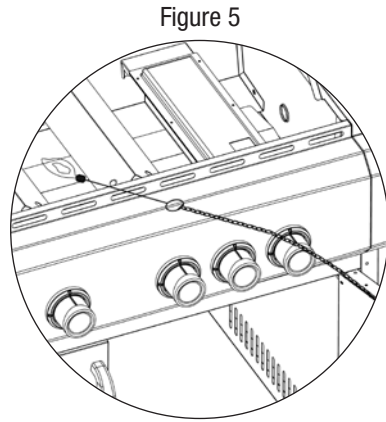
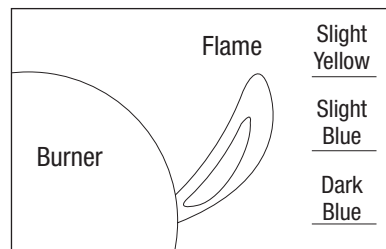


Figure 6



Important: Always use the lighting rod provided when lighting burners with a match.

8. After lighting, observe the burner flame, make sure all burner ports are lit and flame height matches illustration. (Figure 6)

CAUTION: If burner flame goes out during operation, immediately turn the gas "OFF" and open lid to let the gas clear for about 5 minutes before re-lighting.

Turning Off

1. Turn natural gas main valve "OFF".
2. Turn all control knobs clockwise to the "OFF" position.

Note: A "poof" sound is normal as the last of the natural gas is burned.

Direct Cooking

Cooking directly over hot burners. Ideal for searing in juices and food requiring less than 25 minutes of grilling time, such as steaks, hamburgers, hot dogs, chicken parts, vegetables and fruit.

1. Open lid and ignite the desired amount of burners per lighting instructions in owner's manual.
2. Close lid and preheat grill on "HIGH".
3. Wear protective gloves and use long handle tongs to place food onto cooking grids above the lit burners.
4. Adjust controls to desired temperature.
5. With lid open or closed, cook until desired internal food temperatures are achieved.
6. Turn grill "OFF" by first closing the natural gas main valve. Burn off remaining gas in lines by waiting 15 seconds then turn all burner controls to the "OFF" position. A "poof" sound is normal as the last of the natural gas is burned.

Indirect Cooking

Not cooking directly over hot burners. Ideal for slow cooking and foods requiring more than 25 minutes such as most roasts, loins, chops, whole chickens, turkey, fish and baked goods.

1. Open lid and ignite the desired amount of burners per lighting instructions in owner's manual.
2. Close lid and preheat grill on "HIGH".
3. Wear protective gloves and use long handle tongs to place food onto cooking grids above the un-lit burners.
4. Adjust controls to desired temperature.
5. With lid closed, cook until desired internal food temperatures are achieved.
6. Turn grill "OFF" by first closing the natural gas main valve. Burn off remaining gas in lines by waiting 15 seconds then turn all burner controls to the "OFF" position. A "poof" sound is normal as the last of the natural is burned.

For more tips on indirect cooking please see "Tips for Better Cookouts and Longer Grill Life"

Operating Sear Burner

First Use

1. Make sure all labels, packaging and protective films have been removed from the grill.
2. Remove manufacturing oils before cooking on this grill for the first time, by operating the grill for at least 15 minutes on "HIGH" with the lid closed. This will "heat clean" the internal parts and dissipate odors.

Lighting

NOTE: Infrared sear burner can be used while main burners are operating.

1. Open lid. **Attempting to light the burner with the lid closed may cause an explosion!**
2. Make sure there are no obstructions of airflow to the gas unit. Spiders and insects can nest within and clog the burner / venturi tube at the orifice. A clogged burner tube can lead to a fire beneath the appliance.
3. Control knob must be in the "OFF" position. (Figure 3)
4. Turn "ON" natural gas main valve.
5. Push and turn control knob slowly about 1/4 turn counter clockwise until a click is heard. The burner should light. If the burner does not light, repeat up to three times.
6. Hold the knob 3 to 5 seconds to allow gas to reach and light the burner.
7. Burner should turn red after 2 to 3 minutes.
8. Turn control knob "OFF" if burner is not lit. Wait 5 minutes and repeat lighting procedure.

CAUTION: If burner flame goes out during operation, immediately turn the gas "OFF" and open lid to let the gas clear for about 5 minutes before re-lighting.

Turning Off

1. Turn natural gas main valve "OFF".
2. Turn all control knobs clockwise to the "OFF" position.

Cooking

Ideal for searing in juices and flavor in food, such as steaks, roasts, and chicken parts.

1. Open lid and ignite the burner per lighting instructions.
2. Close lid and preheat grill on "HIGH".
3. Wear protective gloves and use long handle tongs to place food onto cooking grids above the burner.
4. Adjust control to desired temperature.
5. Keep an eye on the food to make sure the food does not burn, as it will take a very short time to sear each side of the food. Turn as desired.
6. Turn grill OFF by first closing the valve on the natural gas main valve. Burn off remaining gas in lines by waiting 15 seconds then turn all burner controls to the OFF position. A "poof" sound is normal as the last of the natural gas is burned.

Operating Side Burner

NOTE: Side burner can be used while main burners are operating.
Never use side burner as a grill.

Lighting

1. Open lid. Attempting to light the burner with the lid closed may cause an explosion!
2. Make sure there are no obstructions of airflow to the gas unit. Spiders and insects can nest within and clog the burner / venturi tube at the orifice. A clogged burner tube can lead to a fire beneath the appliance.
3. Control knob must be in the OFF position. (Figure 7)
4. Turn "ON" natural gas main valve.
5. Push and turn control knob slowly about 1/4 turn counter clockwise until a click is heard. The burner should light. If the burner does not light, repeat up to three times.
6. If ignition does not occur in 5 seconds, turn burner control knob OFF, wait 5 minutes, and repeat lighting procedure.
7. If igniter does not light burner, use a lit match secured with the lighting rod provided to light burners manually. Position the lit match near side of the burner. (Figure 8)

Important: Always use the lighting rod provided when lighting burners with a match.

8. After lighting, please observe the burner flame, make sure all burner ports are lit and flame height matches illustration. (Figure 9)

CAUTION: If burner flame goes out during operation, immediately turn the gas "OFF" and open lid to let the gas clear for about 5 minutes before re-lighting.

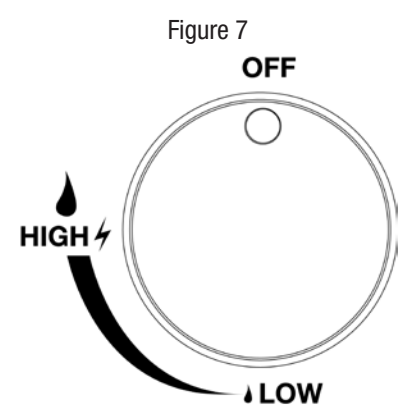


Figure 8

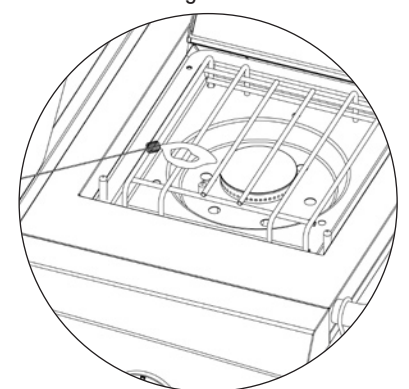
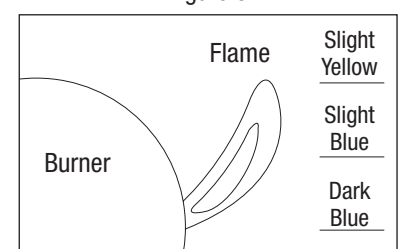


Figure 9



Operating Instructions (continued)

Turning Off

1. Turn natural gas main valve "OFF".
2. Turn all control knobs clockwise to the "OFF" position.

Note: A "poof" sound is normal as the last of the natural gas is burned.

Cooking

1. Light burner.
2. Set burner to desired temperature
3. Place pan on center of grid.
4. Cook and adjust temperature as needed.

Operating Infrared Back Burner

First Use

1. Make sure all labels, packaging and protective films have been removed from the grill.
2. Remove manufacturing oils before cooking on this grill for the first time, by operating the grill for at least 15 minutes on "HIGH" with the lid closed. This will "heat clean" the internal parts and dissipate odors.

Lighting

NOTE: Infrared back burner can be used while main burners are operating.

1. Open lid. **Attempting to light the burner with the lid closed may cause an explosion!**
2. Make sure there are no obstructions of airflow to the gas unit. Spiders and insects can nest within and clog the burner / venturi tube at the orifice. A clogged burner tube can lead to a fire beneath the appliance.
3. Control knob must be in the "OFF" position. (Figure 3)
4. Turn "ON" natural gas main valve.
5. Push and turn control knob slowly about 1/4 turn counter clockwise until a click is heard. The burner should light. If the burner does not light, repeat up to three times.
6. Hold the knob 3 to 5 seconds to allow gas to reach and light the burner.
7. Burner should turn red after 2 to 3 minutes.
8. Turn control knob "OFF" if burner is not lit. Wait 5 minutes and repeat lighting procedure.

▲ Caution: If burner flame goes out during operation, immediately turn the gas "OFF" and open lid to let the gas clear for about 5 minutes before re-lighting.

Turning Off

1. Turn natural gas main valve "OFF".
2. Turn all control knobs clockwise to the "OFF" position.

Tips for Better Cookouts and Longer Grill Life

1. For food safety tips visit: http://www.fsis.usda.gov/Fact_Sheets/Barbecue_Food_Safety/
2. Use the upper cooking grid (warming rack) for keeping cooked food warm, toasting breads or cooking delicate foods in aluminum foil pouches.
3. Use the side burner of this appliance like a normal kitchen range for boiling, sautéing or frying.
4. To keep food from sticking to the grids, spray or coat with cooking oil before lighting.
5. To reduce flare-up keep grill clean, use lean cuts of meat (or trim fat) and avoid cooking on very high temperatures.
6. Place delicate foods like fish and vegetables in aluminum foil pouches and indirect cook or place on upper cooking levels (warming rack).
7. To avoid losing natural juices, use long handled tongs or spatulas instead of forks and turn foods over just once during cooking.
8. When direct cooking adjust your burners to different levels so foods can be prepared to different internal temperatures in the same time frame.
9. When in-direct cooking roasts and larger cuts of meat, place meat onto a roasting rack inside a heavy gauge metal pan. Place pan over the un-lit burners.
10. Try water pans to reduce flare-ups and cook juicier meats. Before starting grill remove cooking grids and place a heavy duty shallow pan directly on heat plates. Fill half way with water, fruit juices or other flavored liquids. Replace cooking grids and position food over the loaded pan.
11. Enhance food flavors by using wood chips in smoker boxes or aluminum foil pouches. Follow the wood manufacturer's instructions.
12. Rotisseries, grill baskets, vertical poultry holders and other accessories can enhance your experiences, reduce cooking times and aid in clean-up.

13. Clean cooking grids and racks after every use with a quality grill brush designed for your grid material. Wear protective gloves and gently remove the build-up while grids are hot.
14. After every use, allow grill to cool. Then protect clean cooking grids with a light coat of cooking oil, empty grease pan, wipe outside surfaces with a suitable kitchen cleaner and protect surfaces with a quality cover that is properly fits your grill.
15. Visit websites like www.bluerhino.com, watch barbecue themed TV shows or purchase related barbecue cookbooks to learn more interesting tips like –
A gas grill is ideal for reheating leftover pizza. Set burners on low and place pizza slices directly on preheated cooking grid. Close lid and cook until cheese starts to bubble.

Operating Digital Timer

Figure 10

Count-Up

1. Press the 'Start/Stop' button. The timer will begin counting up from 0:00.
2. Press the 'Start/Stop' button. The timer will stop.

Count-Down

1. Press the 'minute' button to set the desired number of minutes.
2. Press the 'Seconds' button to set the desired number of seconds.
3. Press the 'Start/Stop' button. The timer will begin counting down from the pre-set time.
4. When the timer reaches 0:00 a loud beep will sound for up to 1 minute.
5. To stop the count-down at any time or stop the alarm from sounding, press the 'Start/Stop' button.

Light

Press the 'Light' button and the LCD will illuminate for 10 seconds.

Resetting the timer

If you have stopped the timer during count-up or count-down mode, you can reset it back to 0:00 by pressing and holding the two buttons indicated by the 'reset' lines.

Auto Shut-off

In order to increase the battery life, the digital timer will automatically shut off when not in use after 30 seconds. To turn it back on press the 'Start/Stop' button

Replacing the batteries

1. Remove the back cover off of the timer as shown. (See Figure 11)
2. Remove the old batteries and insert 2 new AAA batteries
3. Replace the cover back onto the timer.

Digital Timer

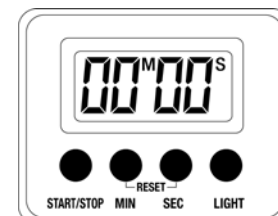
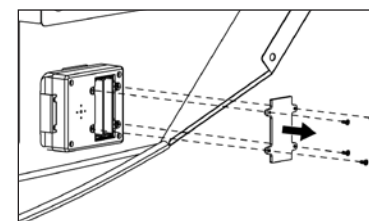
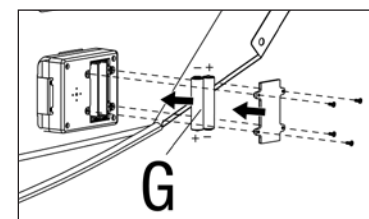


Figure 11

Remove Digital Timer Back



Replace Digital Timer Back



Cleaning and Care

- ▲ CAUTION: All cleaning and maintenance should be done when grill is cool and with the fuel supply disconnected.**
- ▲ CAUTION: DO NOT clean any grill part in a self cleaning oven. The extreme heat will damage the finish.**

Notices

1. This grill should be thoroughly cleaned and inspected on a regular basis.
2. Abrasive cleaners will damage this product.
3. Never use oven cleaner to clean any part of grill.
4. Do not clean any grill part in a self cleaning oven. The extreme heat will damage the finish.

Before Each Use:

1. Keep the grill area clean and free from any combustible materials, gasoline, and other flammable vapors and liquids.
2. Do not obstruct the flow of the combustion of gas and the ventilation air.
3. Visually check the burner flames, to make sure your grill is working properly.

Cleaning and Care (continued)

- See cleaning instructions below for proper cleaning instructions.
- Check and clean the burner/venturi tubes for insects and insect nests. A clogged tube can lead to a fire beneath the grill.

Cleaning Surfaces

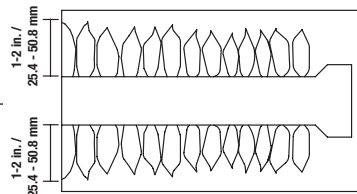
- Wipe surfaces clean with mild dishwashing detergent or baking soda.
- For stubborn surfaces use a citrus based degreaser and a nylon scrubbing brush.
- Rinse clean with water.

Cleaning Main Burner

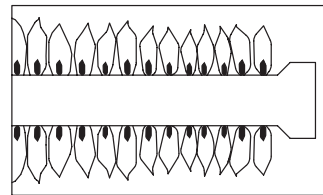
- Turn natural gas main valve "OFF".
- Turn all control knobs clockwise to the "OFF" position.
- Remove cooking grid and heat plates.
- Remove burner by removing the fasteners securing the burner to the grill bottom.
- Lift burner up and away from gas valve orifice.
- Disconnect wire from spark electrode.
- Clean inlet (venturi) of burner with small bottle brush or compressed air.
- Remove all food residue and dirt on burner surface.
- Clean any clogged ports with a stiff wire (such as an opened paper clip)
- Inspect burner for any damage (cracks or holes). If damage is found, replace with new burner.
- Reinstall burner, check to insure that gas valve orifice is correctly positioned inside burner inlet (venturi). Also check position of spark electrode.
- Replace heat plate and cooking grid.
- Perform leak test.

Burner Flame Conditions

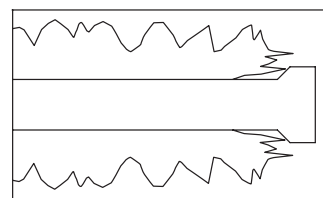
Use this chart check to see if your burners need to be cleaned.



Normal: Soft blue flames with yellow tips between 1 in. - 2 in. high.



Needs Cleaning: Noisy with hard blue flames.



Has to be cleaned: Wavy with yellow flames.

Limited Warranty

Blue Rhino Global Sourcing, Inc ("Vendor") warrants to the original retail purchaser of this product, and to no other person, that if this product is assembled and operated in accordance with the printed instructions accompanying it, then for a period of one (1) year from the date of purchase, all parts in such product shall be free from defects in material and workmanship. Vendor may require reasonable proof of your date of purchase. Therefore, you should retain your sales slip or invoice. This Limited Warranty shall be limited to the repair or replacement of parts, which prove defective under normal use and service and which Vendor shall determine in its reasonable discretion upon examination to be defective. Before returning any parts, you should contact Vendor's Customer Service Department using the contact information listed below. If Vendor confirms, after examination, a defect covered by this Limited Warranty in any returned part, and if Vendor approves the claim, Vendor will replace such defective part without charge. If you return defective parts, transportation charges must be prepaid by you. Vendor will return replacement parts to the original retail purchaser, freight or postage prepaid.

This Limited Warranty does not cover any failures or operating difficulties due to accident, abuse, misuse, alteration, misapplication, improper installation or improper maintenance or service by you or any third party, or failure to perform normal and routine maintenance on the product as set out in this owner's manual. In addition, the Limited Warranty does not cover damage to the finish, such as scratches, dents, discoloration, rust or other weather damage, after purchase.

This Limited Warranty is in lieu of all other express warranties. Vendor disclaims all warranties for products that are purchased from sellers other than authorized retailers or distributors, including the warranty of merchantability or the warranty of fitness for a particular purpose. VENDOR ALSO DISCLAIMS AND ANY ALL IMPLIED WARRANTIES, INCLUDING WITHOUT LIMITATION THE IMPLIED WARRANTIES OF MERCHANTABILITY AND FITNESS FOR A PARTICULAR PURPOSE. VENDOR SHALL NO LIABILITY TO PURCHASER OR ANY THIRD PARTY FOR ANY SPECIAL, INDIRECT, PUNITIVE, INCIDENTAL, OR CONSEQUENTIAL DAMAGES. Vendor further disclaims any implied or express warranty of, and assumes no responsibility for, defects in workmanship caused by third parties.

This Limited Warranty gives the purchaser specific legal rights; a purchaser may have other rights depending upon where he or she lives. Some jurisdictions do not allow the exclusion or limitation of special, incidental or consequential damages, or limitations on how long a warranty lasts, so the above exclusion and limitations may not apply to everyone.

Vendor does not authorize any person or company to assume for it any other obligation or liability in connection with the sale, installation, use, removal, return, or replacement of its equipment, and no such representations are binding on Vendor.

Blue Rhino Global Sourcing, Inc.
Winston-Salem, North Carolina 27105 USA
1.800.762.1142

Cleaning Side Burner

- Turn natural gas main valve "OFF".
- Turn all control knobs clockwise to the "OFF" position.
- Remove side burner grid.
- Remove burner by removing the screws securing the burner to the side shelf.
- Lift burner up and away from gas valve orifice.
- Clean inlet (venturi) of burner with small bottle brush or compressed air.
- Remove all food residue and dirt on burner surface.
- Clean any clogged ports with a stiff wire (such as an opened paper clip)
- Inspect burner for any damage (cracks or holes). If damage is found, replace with new burner.
- Reinstall burner, check to insure that gas valve orifice is correctly positioned inside burner inlet (venturi). Also check position of spark electrode.
- Replace cooking grid.
- Perform leak test.

Product Registration

For faster warranty service, please register your product immediately at www.bluerhino.com or call 1.800.762.1142.

Troubleshooting

Problem	Possible Cause	Prevention/Cure
Burner will not light using ignitor	Wires or electrode covered with cooking residue.	Clean wire and/or electrode with rubbing alcohol.
	Electrode and burners are wet.	Wipe dry with cloth.
	Electrode cracked or broken - sparks at crack.	Replace electrode.
	Wire loose or disconnected.	Reconnect wire or replace electrode/wire assembly
	Wire is shorting (sparking) between ignitor and electrode.	Replace ignitor wire/electrode assembly
	Bad ignitor.	Replace ignitor
Burner will not light with match	Obstruction of gas flow.	Clear burner tubes. Check for bent or kinked hose.
	Disengagement of burner to valve.	Reengage burner and valve.
	Spider webs or insect nest in venturi.	Clean venturi.
	Burner ports clogged or blocked.	Clean burner ports.
Irregular flame pattern, flame does not run the full length of burner.	Burner ports are clogged or blocked.	Clean burner ports.
Flame is yellow or orange.	New burner may have residual manufacturing oils.	Burn grill for 15 minutes with the lid closed
	Spider webs or insect nest in venturi	Clean venturi.
	Food residue, grease or seasoning salt on burner.	Clean burner.
	Poor alignment of valve to burner venturi.	Assure burner venturi is properly engaged with valve
Flame blow out	High or gusting winds	Turn front of grill to face wind or increase flame height to HIGH setting
Flare-up	Grease buildup.	Clean grill.
	Excess fat in meat.	Trim fat from meat before grilling.
	Excessive cooking temperature.	Adjust (lower) temperature accordingly.
Persistent grease fire.	Grease trapped by food buildup around burner system	Turn knobs to "OFF". Turn gas "OFF" at natural gas line valve. Leave lid in closed position and let fire burn out. After grill cools, remove and clean all parts.
Flashback (fire in burner tube(s))	Burner and/or burner tubes are blocked	Clean burner and/or burner tubes
Inside of lid is peeling-like paint peeling	The lid is stainless steel, not paint.	Baked on grease buildup has turned to carbon and is flaking off. Clean thoroughly.

For more assistance please visit us online at www.bluerhino.com or call 1.800.762.1142 for immediate assistance.

Contact 1.800.762.1142 for assistance. Do not return to place of purchase.



Outdoor Natural Gas Barbecue Grill Model No. GBC873WNG



Resolución de problemas

Problema	Causa posible	Prevención/solución
El quemador no se enciende utilizando el encendedor.	Cables o electrodos cubiertos con restos de alimentos. Limpe el cable y/o electrodo con alcohol isopropílico. Los electrodos y los quemadores están mojados. Séquelos con un paño. Electrodo agrietado o roto; chispas en las góletas. Sustituya el electrodo. Cable suelto o desconectado. El cable tiene un cortocircuito (chispeo) entre el encendedor y el electrodo. Encendedor defectuoso.	Sustituya el encendedor. Limpe los tubos del quemador. Verifique que la manguera no esté torcida o doblada. Vuelva a conectar el quemador a la válvula. Telarañas o nidos de insectos en el venturi. Limpe el tubo de venturi. Bocas del quemador atascadas u obstruidas. Limpe las bocas del quemador. Las bocas del quemador están atascadas u obstruidas. Limpe las bocas del quemador.
El quemador no se enciende con una cerilla.	Obstrucción del flujo de gas. Desacoplamiento del quemador a la válvula. Telarañas o nidos de insectos en el venturi. Bocas del quemador atascadas u obstruidas. Limpe las bocas del quemador.	Limpe el tubo de venturi. Limpe las bocas del quemador. Limpe las bocas del quemador. Haga funcionar la parrilla durante 15 minutos con la tapa cerrada. Puede que el nuevo quemador tenga aceites residuales del proceso de fabricación. Telarañas o nidos de insectos en el venturi. Limpe el venturi. Restos de alimentos, grasa o sal para condimentar en el quemador. Limpe el quemador. Alineación incorrecta entre la válvula y el venturi del quemador. Asegúrese de que el venturi del quemador está conectado adecuadamente a la válvula.
Falta de uniformidad en la llama, la llama no cubre toda la longitud del quemador.	Las bocas del quemador están atascadas u obstruidas. Puede que el nuevo quemador tenga aceites residuales del proceso de fabricación.	Limpe la parrilla. Retire la grasa de la carne antes de ponerla en la parrilla. Carne con exceso de grasa. Formaciones de grasa. Limpe la parrilla.
La llama se apaga.	Vientos fuertes o racheados.	Gire el frente de la parrilla de cara al viento o aumente la altura de la llama a la graduación "HIGH" (alto).
La llama es de color amarillo o anaranjado.	Restos de alimentos, grasa o sal para condimentar en el quemador. Telarañas o nidos de insectos en el venturi. Limpe el venturi.	Limpe la parrilla. Gire las perillas a la posición "OFF" (apagado). Cierre (OFF) la válvula principal de suministro de gas natural. Deje la tapa cerrada y deje que el fuego se consuma. Una vez se haya entrado la parrilla, quite y limpie todas las piezas. Limpe el quemador y/o los tubos del quemador.
La grasa provoca un fuego persistente	Grasa atascada por la acumulación de comida alrededor del sistema de quemadores.	La acumulación de grasa se ha convertido en carbón y se está desmenuzando. Limpie la completa.
Centelleos (hay fuego en el(s) tubo(s) del quemador).	El quemador y/o juegos de quemadores están bloqueados o atascados.	La tapa es de acero inoxidable, no pintada.
El interior de la tapa se está pelando; igual que cuando se pela la pintura.		

Para ayuda más detallada, sírvase visitar www.bluerhino.com o llámanos al 1.800.762.1142 para ayudarlo inmediatamente.

Garantía limitada

Blue Rhino Sourcng, Inc ("el fabricante") garantiza al comprador original, al detal, de este producto, y a ninguna otra persona, que si la unidad se arma y opera de acuerdo con las instrucciones impresas que la acompañan y por un periodo de un (1) año a partir de la fecha de compra, todas las piezas de este producto estarán libres de defectos en material y mano de obra. El fabricante podrá requerir prueba razonable de la fecha de compra. Por lo tanto, usted debe conservar el recibo de venta o la factura. Esta garantía limitada estará limitada a la reparación o reemplazo de las piezas que resulten defectuosas en condiciones de servicio y uso normal y las que un examen indique, a satisfacción del fabricante, que están defectuosas. Antes de devolver cualquier pieza, comuníquese con el Departamento de Servicio al Cliente (Customer Service Department) del fabricante. Si el fabricante confirma el defecto y aprueba el reclamo, el fabricante decidirá reemplazar tales partes sin costo alguno. Si se le pide que devuelva las partes defectuosas, los costos de transporte deberán ser pagados. El fabricante devolverá las partes al cliente con costo de transporte o envío pagados.

Esta garantía limitada no cubre fallas o dificultades de operación debidas a accidente, abuso, mal uso, alteración, empleo en usos inapropiados, instalación defectuosa o mantenimiento o servicio inapropiado o falla en la realización de mantenimiento normal y rutinario como se prescribe en este manual del usuario.

Además, la garantía limitada no cubre daños al terminado de la unidad, tales como rasguños, abolladuras, descoloridos, oxidaciones y otros daños causados por la intemperie después de la compra de la unidad. Esta garantía limitada reemplaza cualquier otra garantía. El fabricante no asume ninguna responsabilidad por garantías de productos vendidos por quienes no sean distribuidores o vendedores al detal autorizados. Esta exención de responsabilidad incluye cualquier garantía de comerciabilidad o la garantía de aptitud para un propósito en particular. EL FABRICANTE NO SE HACE RESPONSABLE POR NINGUNA GARANTIA IMPLICITA INCLUYENDO, SIN LIMITACIONES, LAS GARANTIAS IMPLICITAS DE COMERCIABILIDAD Y ADAPTABILIDAD A UN PROPOSITO PARTICULAR. EL FABRICANTE NO ASUME RESPONSABILIDAD ANTE EL COMPRADOR O ANTE CUALQUIER TERCERA PERSONA POR DAÑOS ESPECIALES, INDIRECTOS, PUNITIVOS, INCIDENTALES O CONSECUENCIALES. El fabricante, además, no asume responsabilidad por garantías implícitas o expresas por defectos de mano de obra causados por terceras personas. Esta garantía limitada le da al comprador derechos legales específicos y el comprador puede tener otros derechos según el lugar donde el comprador o la compradora residan. Ciertas jurisdicciones no permiten limitaciones en cuanto a la duración de una garantía implícita, de manera que esta limitación puede no ser aplicable a usted.

El fabricante no autoriza a ninguna persona o compañía para asumir por el fabricante cualquier otra obligación a responsabilidad relacionada con la venta, instalación, uso, remoción, devolución o reemplazo de este equipo y cualquier representación de esta naturaleza no obliga al fabricante.

Blue Rhino Sourcng, Inc.
Winston-Salem, North Carolina 27105, EE.UU.
(800)-762-1142

Instrucciones de operación (continuación)

Operación del quemador lateral

NOTA: Se puede usar el quemador lateral si los quemadores principales están encendidos. Nunca use el quemador lateral como parrilla.

Encendido

1. Abra la tapa. **¡Si intenta encender el quemador con la tapa cerrada puede provocar una explosión!**

2. Asegúrese de que no hay nada que obstruya el flujo de aire en la unidad de gas. Arañas y otros insectos pueden formar sus nidos dentro y obstruir los orificios del quemador/tubo de venturi. Un tubo de quemador obstruido puede provocar un incendio debajo del aparato.

3. La perilla de control tiene que estar en la posición "OFF" (apagado). Vea la Figura 7.

4. Abra (ON) la válvula principal de suministro de gas natural.

5. Oprima y gire la perilla de control lentamente en la dirección contraria a las manecillas de reloj,

más o menos 1/4 de giro, hasta que oiga un clic en la unidad. En este punto el quemador debe encenderse. Si el quemador no se enciende, repita este proceso hasta tres veces.

6. Si el quemador no se enciende en 5 segundos, gire la perilla de control a "OFF" (apagado), espere 5 minutos y repita el procedimiento de encendido.

7. En caso de que el encendedor no encienda el quemador, use una cerilla encendida colocada en la vara de encendido que se acompaña para encender los quemadores manualmente. Acerque la llama de la cerilla al lado del quemador (vea Figura 8).

Importante: Use siempre la vara de encendido que se incluye, cuando desee encender los quemadores con una cerilla.

8. Después de encender el quemador observe su llama y asegúrese de que todos los orificios estén encendidos y que la altura de la llama corresponda a la del diagrama (vea Figura 9).

Apagado:

1. Cierre (OFF) la válvula principal de suministro de gas natural.

2. Gire la perilla de control en la dirección de las manecillas del reloj a la posición "OFF" (apagado).

Nota: El ruido de "purf" es normal cuando el residuo de gas natural en la línea se ha extinguido.

Cocción

1. Encienda el quemador.

2. Gradúe el quemador al nivel deseado.

3. Coloque la olla en el centro de la parrilla.

4. Deje cocer los alimentos y ajuste la temperatura si es necesario.

Operación del quemador infrarrojo trasero

Uso por primera vez

1. Verifique que todos los empaques, etiquetas y envolturas de protección han sido removidos de la parrilla.

2. Remueva todo aceite de fabricación que encuentre en la unidad antes de usar la parrilla por primera vez, encendiendo la parrilla por lo menos por 15 minutos en la graduación "HIGH" (alto), con la tapa cerrada. Esto realizará una "limpieza por calor" en las piezas internas de la unidad y hará que los olores se disipen.

Encendido

Nota: el quemador infrarrojo de atrás puede usarse simultáneamente con los quemadores principales cuando éstos están operando.

1. Abra la tapa. **¡Si intenta encender el quemador con la tapa cerrada puede provocar una explosión!**

Operación del quemador infrarrojo trasero

Cocción

1. Encienda el quemador.

2. Gradúe el quemador al nivel deseado.

3. Coloque la olla en el centro de la parrilla.

4. Deje cocer los alimentos y ajuste la temperatura si es necesario.

Operación del quemador infrarrojo trasero

Uso por primera vez

1. Verifique que todos los empaques, etiquetas y envolturas de protección han sido removidos de la parrilla.

2. Remueva todo aceite de fabricación que encuentre en la unidad antes de usar la parrilla por primera vez, encendiendo la parrilla por lo menos por 15 minutos en la graduación "HIGH" (alto), con la tapa cerrada. Esto realizará una "limpieza por calor" en las piezas internas de la unidad y hará que los olores se disipen.

Encendido

Nota: el quemador infrarrojo de atrás puede usarse simultáneamente con los quemadores principales cuando éstos están operando.

1. Abra la tapa. **¡Si intenta encender el quemador con la tapa cerrada puede provocar una explosión!**

Figura 7

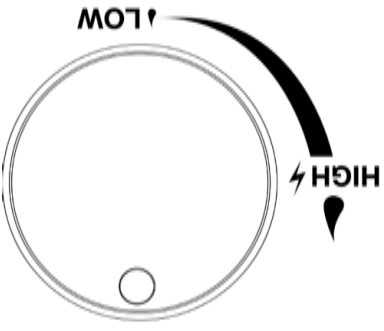


Figura 8

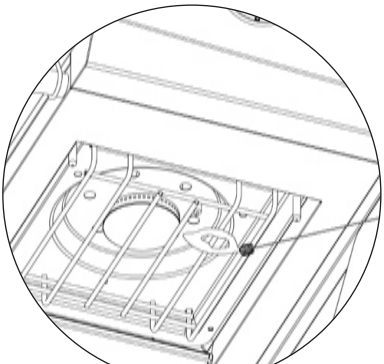
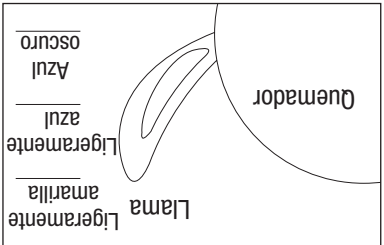


Figura 9



2. Asegúrese de que no hay nada que obstruya el flujo de aire en la unidad de gas. Arañas y otros insectos pueden formar sus nidos dentro y obstruir los orificios del quemador/tubo de venturi. Un tubo de quemador obstruido puede provocar un incendio debajo del aparato.

3. La perilla de control tiene que estar en la posición "OFF" (apagado), vea la Figura 3.

4. Abra (ON) la válvula principal de suministro de gas natural.

5. Oprima y gire la perilla de control lentamente en la dirección contraria a las manecillas de reloj, más o menos 1/4 de giro, hasta que oiga un clic en la unidad. En este punto el quemador debe encenderse. Si el quemador no se enciende repita este proceso hasta tres veces.

6. Mantenga la perilla oprimida en esta posición, de 3 a 5 segundos, para permitir que el gas llegue al quemador y se encienda.

7. El quemador debe ponerse rojo después de 2 o 3 minutos de encendido.

8. Vuelva la perilla de control a la posición "OFF" (apagado) si el quemador no se ha encendido. Espere 5 minutos y repita el procedimiento para encenderlo.

▲ Precaución: Si la llama del quemador se apaga durante el funcionamiento, cierre el gas ("OFF"), inmediatamente y abra la tapa durante 5 minutos para dejar que la zona quede despejada de gas antes de volver a encenderlo.

Apagado:

1. Cierre (OFF) la válvula principal de suministro de gas natural.

2. Gire la perilla de control en la dirección de las manecillas del reloj a la posición "OFF" (apagado).

Sugerencias para una mejor preparación de los alimentos y una vida útil más larga de la parrilla

1. Para sugerencias de seguridad visite: http://www.fsis.usda.gov/Fact_Sheets/Barbecue_Food_Safety/index.asp

2. Use la parrilla de cocción de arriba (rejilla de calentamiento) para mantener calientes los alimentos ya cocidos, pan tostado, o para cocer alimentos delicados en bolsas de papel de aluminio.

3. Use el quemador lateral de esta unidad como se usa el elemento calórico normal de una cocina para hervir, freír o saltear.

4. Para evitar que los alimentos se peguen en las parrillas, aplique una capa de aceite de cocina a las parrillas antes de encender la unidad.

5. Para reducir el encendido de la grasa, mantenga la parrilla limpia, use cortes de carne sin grasa (o remueva el acceso de grasa) y evita cocerla a temperaturas demasiado altas.

6. Coloque alimentos delicados tales como pescado y legumbres en bolsas de papel de aluminio y coloque las bolsas en el nivel superior de cocción (rejilla de calentamiento).

7. Para evitar la pérdida de jugos naturales, use tenacillas de mango largo o espátulas, en lugar de tenedores, y voltee el alimento solamente una vez durante el proceso de cocción.

8. Cuando haga cocción directa, ajuste los quemadores a diferentes niveles de manera que los alimentos puedan prepararse a sus respectivas temperaturas internas durante el mismo lapso de tiempo.

9. Cuando por cocción indirecta prepare asados y porciones grandes de carne, coloque la carne en una parrilla de asar dentro de una olla de metal grueso. Coloque la olla sobre los quemadores apagados.

10. Ensaye el uso de ollas con agua para reducir la combustión de grasa y cocer carnes muy jugosas. Antes de encender la unidad remueva las parrillas de cocción y coloque una olla panda, para trabajo pesado, directamente sobre las placas de calor. Llene la olla hasta la mitad con agua, jugos de fruta u otros líquidos para dar sabor. Vuelva a colocar las parrillas de cocción y ponga los alimentos en la parrilla sobre la olla con líquido.

11. Realce el sabor de los alimentos usando astillas de madera en cajas metálicas para humear o bolsas de papel de aluminio. Siga las instrucciones del fabricante de las astillas de madera para esta operación.

12. Las canastas de asar, asadores, sostenes verticales para la carne de ave y otros accesorios pueden hacer más agradable su experiencia, reducir el tiempo de cocción y facilitar la labor de limpieza.

13. Limpie las parrillas de cocción y las rejillas después de cada uso con un cepillo de calidad diseñado para el material de su parrilla. Use guantes de protección y remueva con cuidado la acumulación de residuos en las parrillas mientras éstas están todavía calientes.

14. Después de cada uso deje que la parrilla se enfríe. Luego proteja las parrillas de cocción ya limpias con una ligera capa de aceite de cocina, vacíe la bandeja de la grasa, limpie las superficies exteriores con un limpiador de cocina apropiado y proteja las superficies con una cubierta de calidad que se acomode apropiadamente su unidad.

15. Visite páginas de Internet - tales como www.bluerhino.com - vea programas de televisión relacionados con la cocción de asados a la parrilla o compre libros de cocina relacionados con este tema para obtener interesantes sugerencias tales como:

Una parrilla a gas es ideal para volver a calentar una porción de pizza. Gradúe los quemadores a nivel bajo y coloque las secciones de pizza directamente en la parrilla de cocción, previamente calentada. Cierre la tapa y continúe el proceso de cocción hasta que el queso principie a hacer burbujas.

Instrucciones de operación (continuación)

2. Remueva todo aceite de fabricación que encuentre en la unidad antes de usar la parrilla por primera vez, encendiendo la parrilla por lo menos por 15 minutos en la graduación "HIGH" (alto), con la tapa cerrada. Esto realizará una "limpieza por calor" en las piezas internas de la unidad y hará que los olores se disipen.

Encendido

1. Abra la tapa. **¡Si intenta encender el quemador con la tapa cerrada puede provocar una explosión!**

explosión!

2. Asegúrese de que no hay nada que obstruya el flujo de aire en la unidad de gas. Arañas y otros insectos pueden formar sus nidos dentro y obstruir los orificios del quemador/tubo de venturi. Un tubo de quemador obstruido puede provocar un incendio debajo del aparato.
3. Todas las perillas tienen que estar en la posición "OFF" (apagado). Vea la Figura 3.
4. Abra (ON) la válvula principal de suministro de gas natural.

4. Abra (ON) la válvula principal de suministro de gas natural.

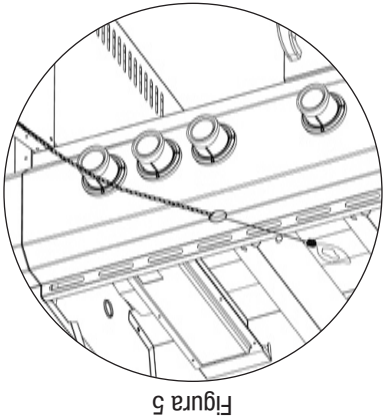


Figura 5

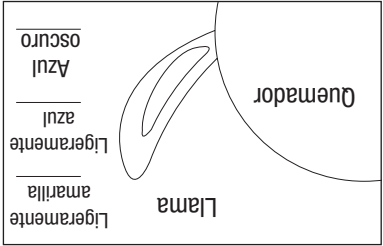


Figura 6

5. Oprima y gire la perilla de control lentamente en la dirección contraria a las manecillas de reloj, más o menos 1/4 de giro, hasta que oiga un clic en la unidad. En este punto el quemador debe encenderse. Si el quemador no se enciende, repita este proceso hasta tres veces.
6. Si el quemador no se enciende en 5 segundos, gire la perilla de control a "OFF" (apagado), espere 5 minutos y repita el procedimiento de encendido.
7. En caso de que el encendedor no encienda el quemador, use una cerilla encendida colocada en la vara de encendido que se acompaña para encender los quemadores manualmente. Gane acceso a los quemadores por el espacio entre la rejilla de cocción y las placas de calentamiento. Acerque la llama de la cerilla al lado del quemador (vea Figura 5).

Importante: Use siempre la vara de encendido que se incluye, cuando desee encender los quemadores con una cerilla.

8. Después de encender el quemador observe su llama y asegúrese de que todos los orificios estén encendidos y que la altura de la llama corresponda a la del diagrama (vea Figura 6).

▲PRECAUCION: Si la llama del quemador se apaga durante el

funcionamiento, cierre el gas ("OFF") inmediatamente y abra la tapa durante 5 minutos para dejar que la zona quede despejada de gas antes de volver a encenderlo.

Apagado:

1. Cierre (OFF) la válvula principal de suministro de gas natural.
2. Gire todas las perillas de control en la dirección de las manecillas del reloj a la posición "OFF" (apagado).

Cocción directa

Cocción directa sobre los quemadores calientes. Ideal para charruscar los jugos y para cocer alimentos que requieran menos de 25 minutos de tiempo de asado, tales como bistec, hamburguesas, perros calientes, porciones de aves, legumbres y frutas.

1. Abra la tapa y encienda los quemadores siguiendo las instrucciones de encendido del usuario.

2. Cierre la tapa y haga un calentamiento previo de la parrilla en la graduación "HIGH" (alto).
3. Use guantes de protección y tenacillas de mango largo para colocar los alimentos en las parrillas de cocción sobre los quemadores encendidos.

4. Ajuste los controles a la temperatura deseada.

5. Con la tapa abierta o cerrada haga la cocción de los alimentos hasta que la temperatura interna del alimento se haya alcanzado.

6. Apague la parrilla (OFF) cerrando primero la válvula del tanque de propano. Deje que se extinga el gas que queda en las líneas, esperando 15 segundos antes de girar los controles del quemador a la posición "OFF" (apagado). El ruido de "put" es normal cuando el residuo de gas propano licuado en la línea se ha extinguido.

Cocción indirecta

En este proceso la cocción no se hace directamente sobre las brquetas encendidas. Es ideal para cocer alimentos de lento cocimiento que requieran más de 25 minutos, tales como: asados, lomos, chuletas, pollos enteros, pavos, pescado y alimentos horneados.

1. Abra la tapa y encienda los quemadores siguiendo las instrucciones de encendido del manual del usuario.

2. Cierre la tapa y haga un calentamiento previo de la parrilla en la graduación "HIGH" (alto).

3. Use guantes de protección y tenacillas de mango largo para colocar los alimentos en las parrillas de cocción sobre los quemadores apagados.

4. Ajuste los controles a la temperatura deseada.

5. Con la tapa abierta o cerrada haga la cocción de los alimentos hasta que la temperatura interna del alimento se haya alcanzado.

Cocción

Ideal para soasar en su jugo y sabor carnes como bistecs, asados y carnes de ave.

1. Abra la tapa y encienda el quemador de acuerdo con las instrucciones de encendido.

2. Cierre la tapa y haga un calentamiento previo de la parrilla en la graduación "HIGH" (alto).
3. Use guantes de protección y tenacillas de mango largo para colocar los alimentos en las parrillas de cocción, arriba del quemador.

4. Ajuste el control a la temperatura que desea.

5. Vigile la comida para estar seguro de que no se quema, pues toma muy poco tiempo el soasarla por cada lado. Voltee-la cuando lo desee.

6. Apague la parrilla (OFF) cerrando primero la válvula del tanque de propano. Deje que se extinga el gas que queda en las líneas, esperando 15 segundos antes de girar los controles del quemador a la posición "OFF" (apagado). El ruido de "put" es normal cuando el residuo de gas natural en la línea se ha extinguido.

Apagado

1. Cierre (OFF) la válvula principal de suministro de gas natural.
2. Gire la perilla de control en la dirección de las manecillas del reloj a la posición "OFF" (apagado).

▲Precaución: Si la llama del quemador se apaga durante el

funcionamiento, cierre el gas ("OFF") inmediatamente y abra la tapa durante 5 minutos para dejar que la zona quede despejada de gas antes de volver a encenderlo.

8. Vuelva la perilla de control a la posición "OFF" (apagado) si el quemador no se ha encendido. Espere 5 minutos y repita el procedimiento para encenderlo.

7. El quemador debe ponerse rojo después de 2 o 3 minutos de encendido.

6. Mantenga la perilla oprimida en esta posición, de 3 a 5 segundos, para permitir que el gas llegue al quemador y se encienda.

5. Oprima y gire la perilla de control lentamente en la dirección de las manecillas de reloj, más o menos 1/4 de giro, hasta que oiga un clic en la unidad. En este punto el quemador debe encenderse. Si el quemador no se enciende repita este proceso hasta tres veces.

4. Abra el gas la válvula principal de suministro de gas natural.

3. La perilla de control tiene que estar en la posición "OFF" (apagado), vea la Figura 3.

2. Asegúrese de que no hay nada que obstruya el flujo de aire en la unidad de gas. Arañas y otros insectos pueden formar sus nidos dentro y obstruir los orificios del quemador/tubo de venturi. Un tubo de quemador obstruido puede provocar un incendio debajo del aparato.

una explosión!

1. Abra la tapa. **¡Si intenta encender el quemador con la tapa cerrada puede provocar**

NOTA: el quemador infrarrojo de soasar puede usarse simultáneamente con los quemadores principales cuando éstos están operando.

Encendido

unidad y hará que los olores se disipen.

2. Remueva todo aceite de fabricación que encuentre en la unidad antes de usar la parrilla por primera vez, encendiendo la parrilla por lo menos por 15 minutos en la graduación "HIGH" (alto), con la tapa cerrada. Esto realizará una "limpieza por calor" en las piezas internas de la

de la parrilla.

1. Verifique que todos los empaques, etiquetas y envolturas de protección han sido removidos

Uso por primera vez

Operación del quemador de soasar

Para mayores sugerencias sobre cocción indirecta, por favor consulte la sección "Sugerencias para una mejor preparación de los alimentos y una vida útil más larga de la parrilla".

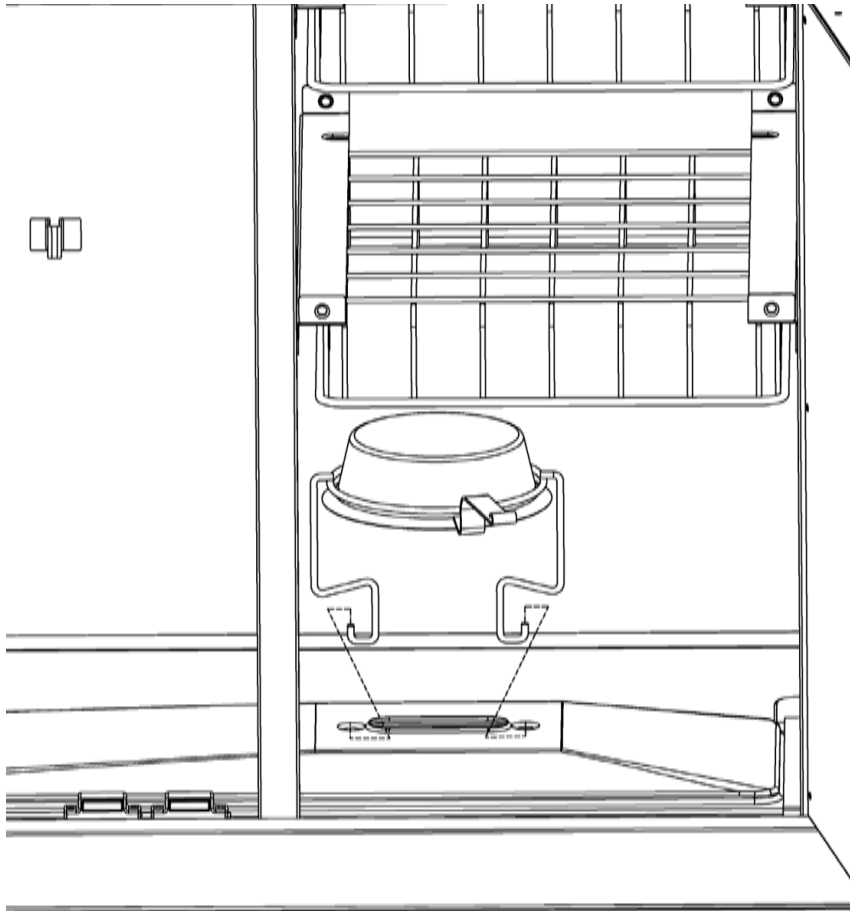
6. Apague la parrilla (OFF) cerrando primero la válvula del tanque de propano. Deje que se extinga el gas que queda en las líneas, esperando 15 segundos antes de girar los controles del quemador a la posición "OFF" (apagado). El ruido de "put" es normal cuando el residuo de gas natural en la línea se ha extinguido.

Instrucciones de armado (continuación)

Instale la taza de grasa y el soporte para la taza de

grasa

25



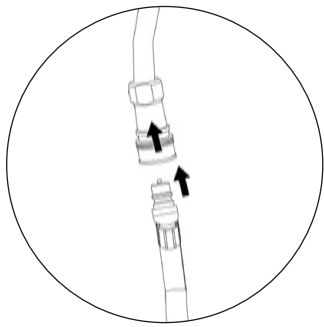
Instalación de la línea de suministro de gas natural

La instalación debe hacerla personal de servicio calificado.

PRECAUCIÓN: Si el área puede ser frecuentada por niños pequeños, considere la instalación de una válvula con cerradura.

Conexión a la línea de suministro de gas natural

Antes de hacer la conexión, verifique que la boca de la línea de gas natural, la boca de entrada de gas natural de la parrilla, la cabeza del quemador y los orificios de llama del quemador están libres de cualquier suciedad.
 Conecte la línea de gas natural de la parrilla a la línea de suministro de gas natural.



Desconexión de la línea de suministro de gas natural

Antes de hacer de la desconexión, verifique que la válvula principal de la línea de suministro de gas natural está cerrada (OFF).
 Desconecte la línea de gas de la parrilla de línea de suministro de gas natural.

Instrucciones de operación

Comprobar si hay fugas

1. Asegúrese de conectar adecuadamente la válvula del regulador al quemador y a la línea de gas natural.

Si alguien armó la unidad para usted, verifique visualmente la conexión entre el tubo del quemador y el orificio. Asegúrese de que el tubo del quemador encaja sobre el orificio.

⚠ ADVERTENCIA: El no inspeccionar esta conexión o seguir debidamente estas instrucciones puede causar incendio o explosión ocasionando muerte, graves lesiones o daños a la propiedad.

2. Por favor, consulte el diagrama para llevar a cabo correctamente la instalación (Figuras 1 y 2).
 3. Si el tubo del quemador no queda a ras con el orificio, por favor llame al 1.800.762.1142.

Conexión de la línea de gas

1. Prepare unos 80 ml de solución para comprobar si hay fugas mezclando una parte de jabón líquido para lavar platos y tres partes de agua.

2. Asegúrese de que las perillas de control están en la posición "OFF" (apagado). Vea la Figura 3.

3. Abra el gas (ON) desde la válvula principal de suministro de gas natural.

4. Aplique con una cuchara la solución de verificación de escapes en todas las ubicaciones marcadas con "X" (vea la Figura 4).

a. Si en cualquier punto aparecen burbujas, cierre la válvula principal de suministro de gas natural, vuelva a conectar la manguera y verifique nuevamente.

b. Si las burbujas continúan apareciendo después de varios ensayos, cierre la válvula principal de suministro de gas natural y llame al teléfono 1.800.762.1142 para notificar el defecto.

c. Si no aparecen burbujas por un lapso de un minuto, cierre (OFF) la válvula principal de suministro de gas natural y limpie la solución para continuar el proceso.

Operación de los quemadores principales:

Uso por primera vez

1. Verifique que todos los empaques, etiquetas y envolturas de protección han sido removidos de la parrilla.

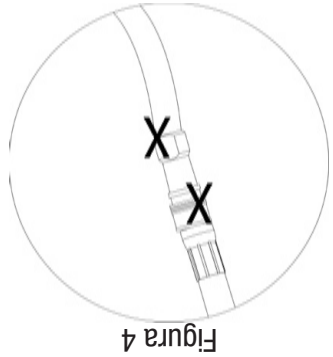


Figura 4

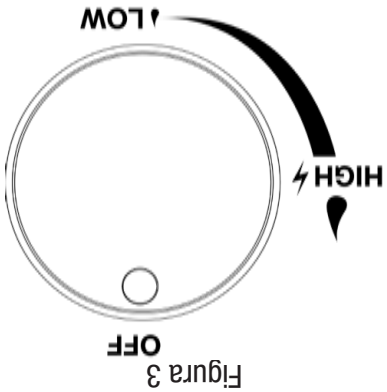


Figura 3

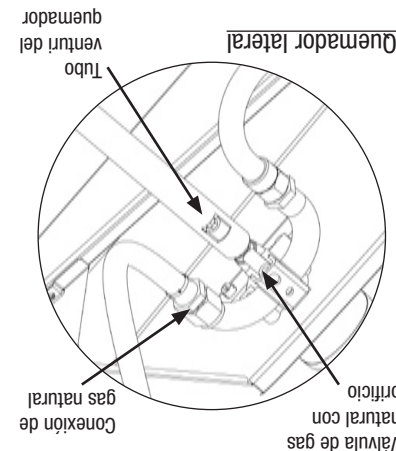


Figura 2

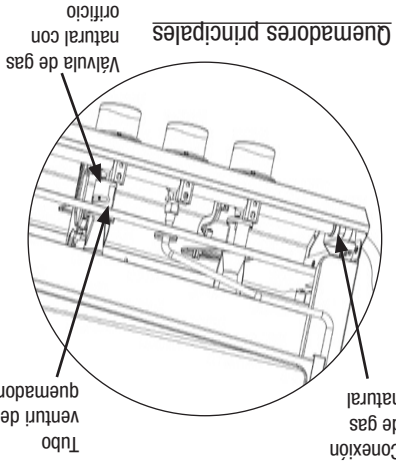
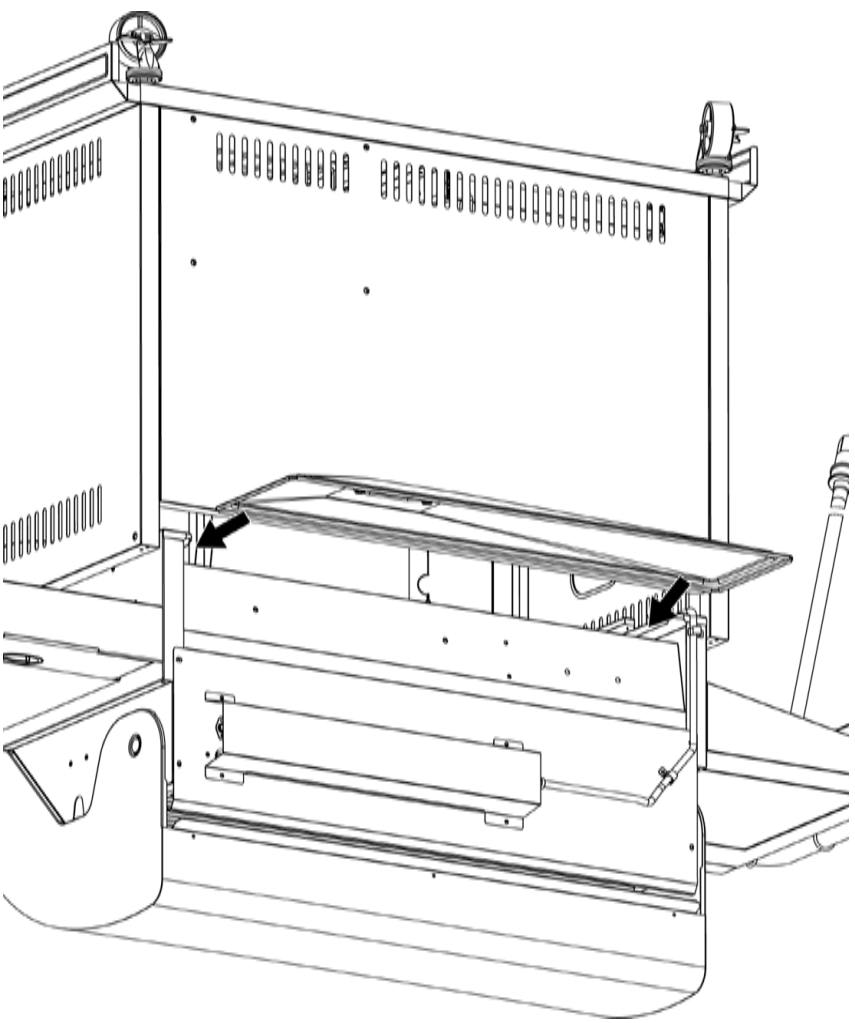
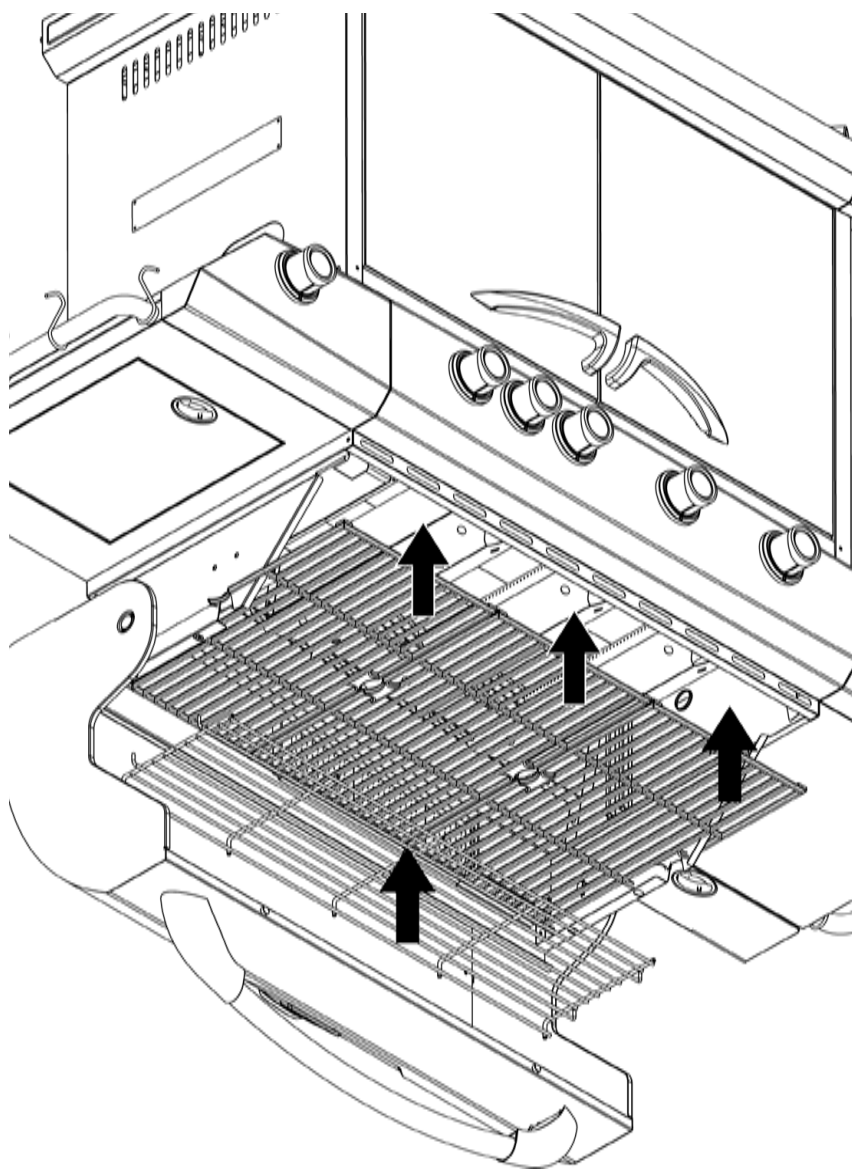


Figura 1



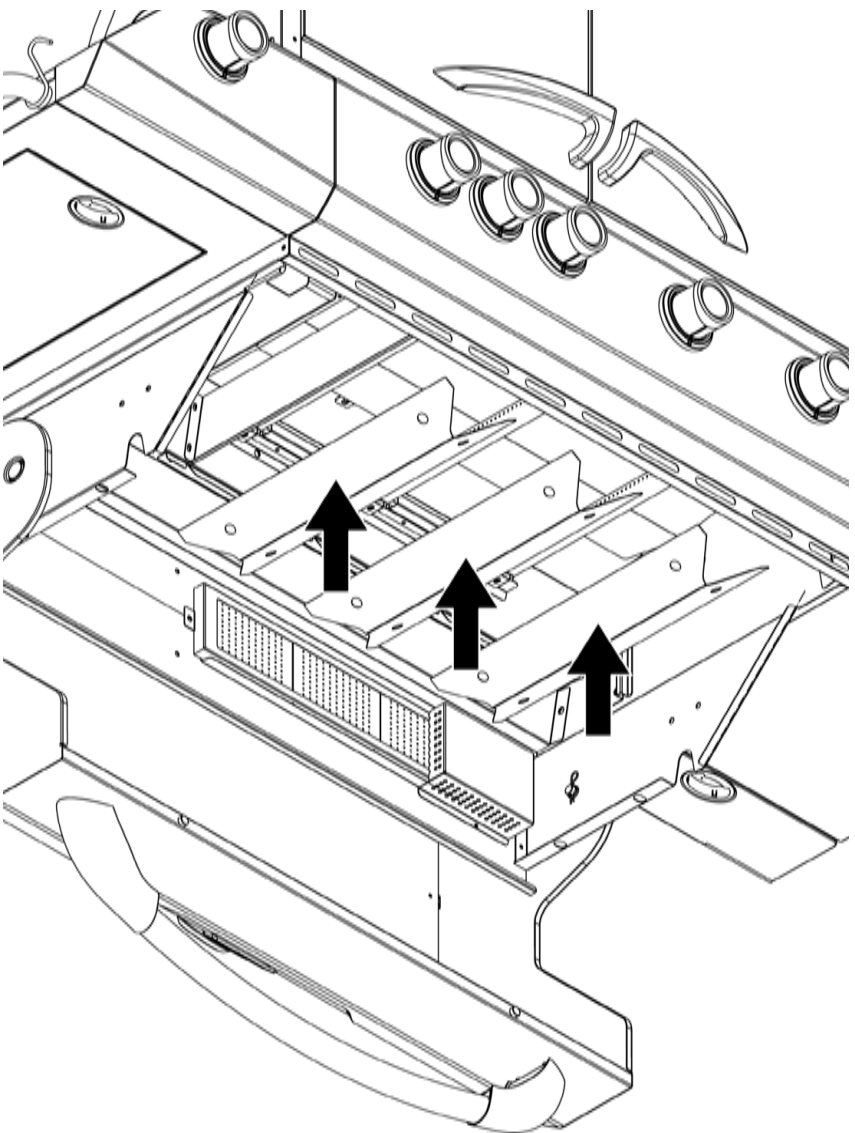
Inserte la bandeja para la grasa

24



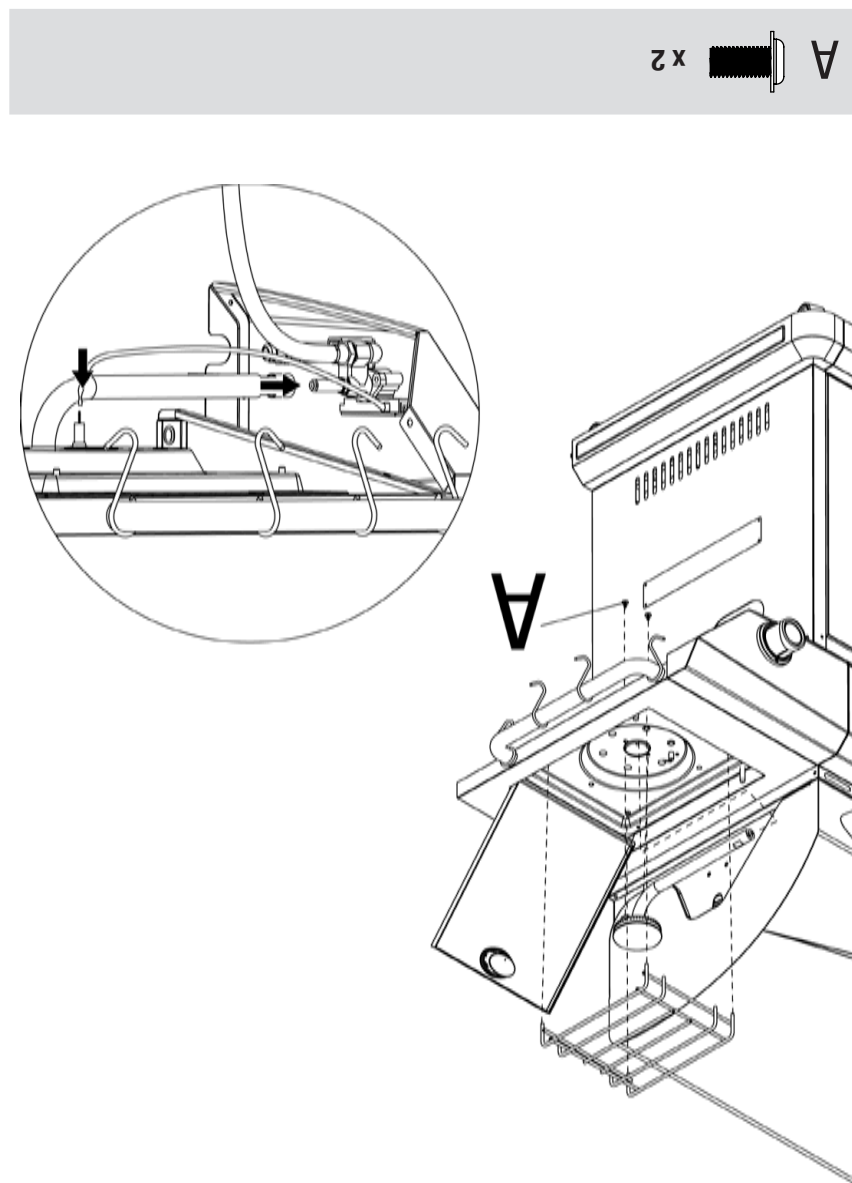
Coloque la parrilla de cocción y la rejilla de calentamiento

23



Coloque las placas de calor

22



Instale el quemador lateral, la rejilla del quemador lateral y el alambre del encendedor

21

17 Instale el conjunto de la repisa derecha

Nota: Deje expuesto un segmento de la rosca del perno de unos 2 mm. No apriete completamente los pernos hasta el paso 19.

C x 2

18 Asegure el conjunto de la repisa izquierda

C x 5

19 Asegure el conjunto de la repisa derecha

C x 4

20 Instale el regulador, el soporte de la perilla de control y la perilla de control

A x 2

13 Instale el panel lateral de la repisa izquierda

A x 3

14 Instale el panel frontal de la repisa derecha y la barra para las toallas

C x 4

15 Instale el panel lateral de la repisa derecha

A x 3

16 Instale el conjunto de la repisa izquierda

Nota: Deje expuesto un segmento de la rosca del perno de unos 2 mm. No apriete completamente los pernos hasta el paso 18.

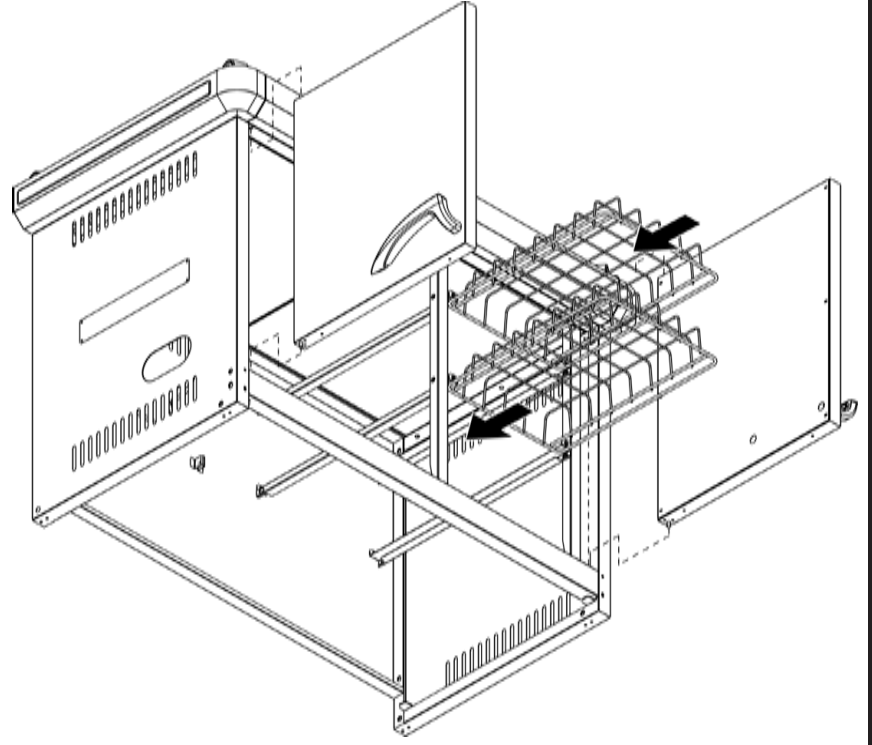
C x 2

1 **C**

2 5/8" 2 mm

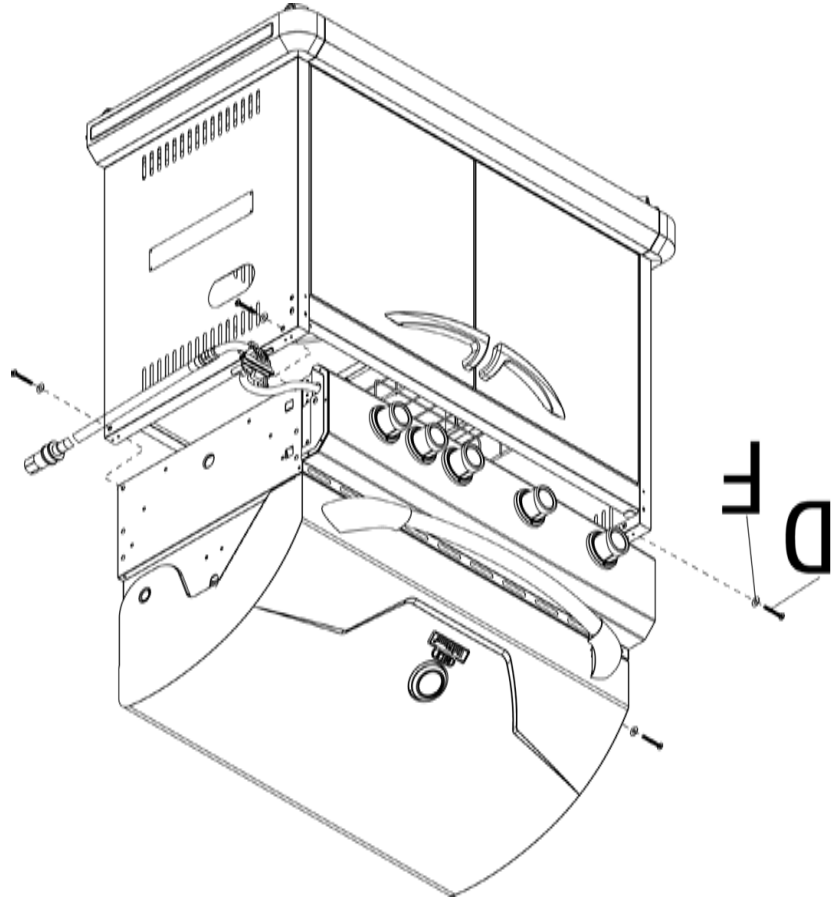
3

4



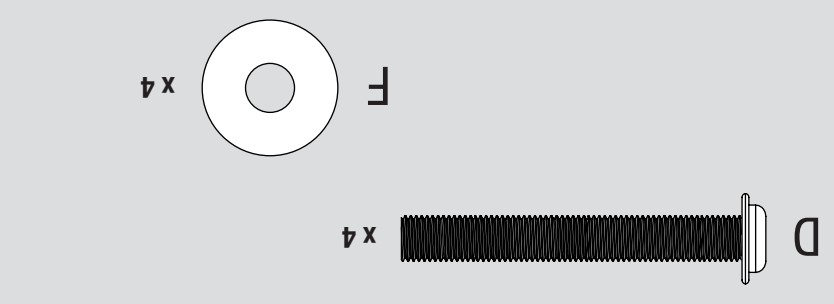
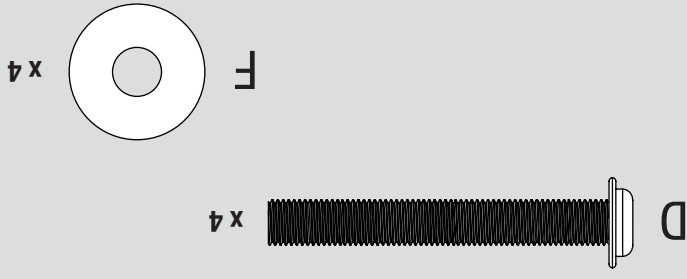
Instale las puertas e inserte las canastas

9



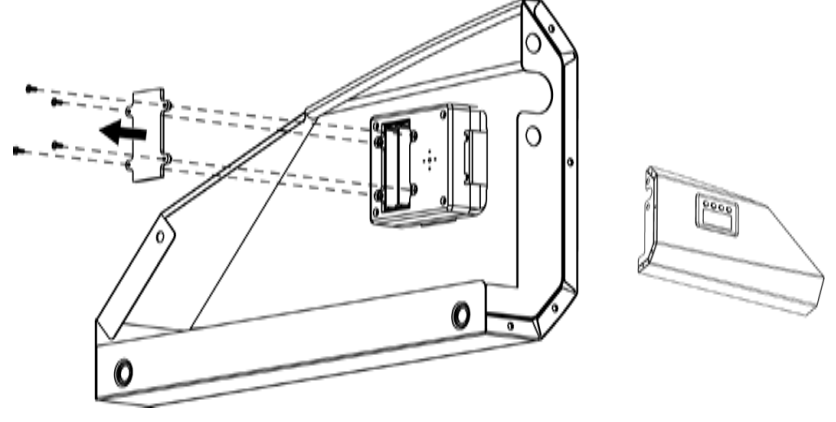
Instale el cuerpo de la parrilla

10

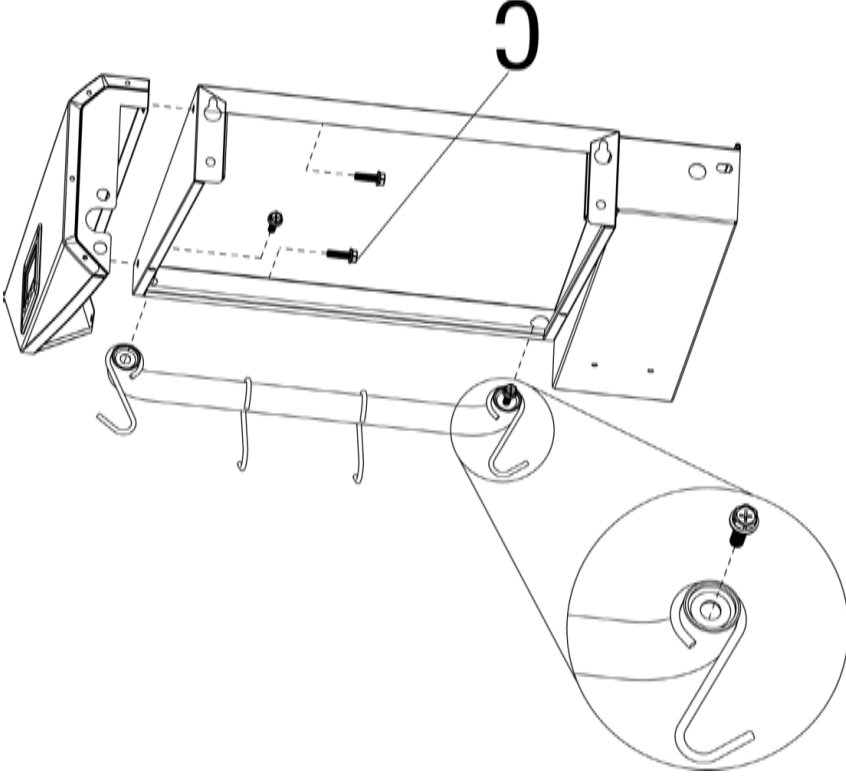


Remueva la cubierta de las pilas del temporizador digital

11

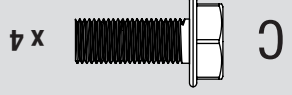


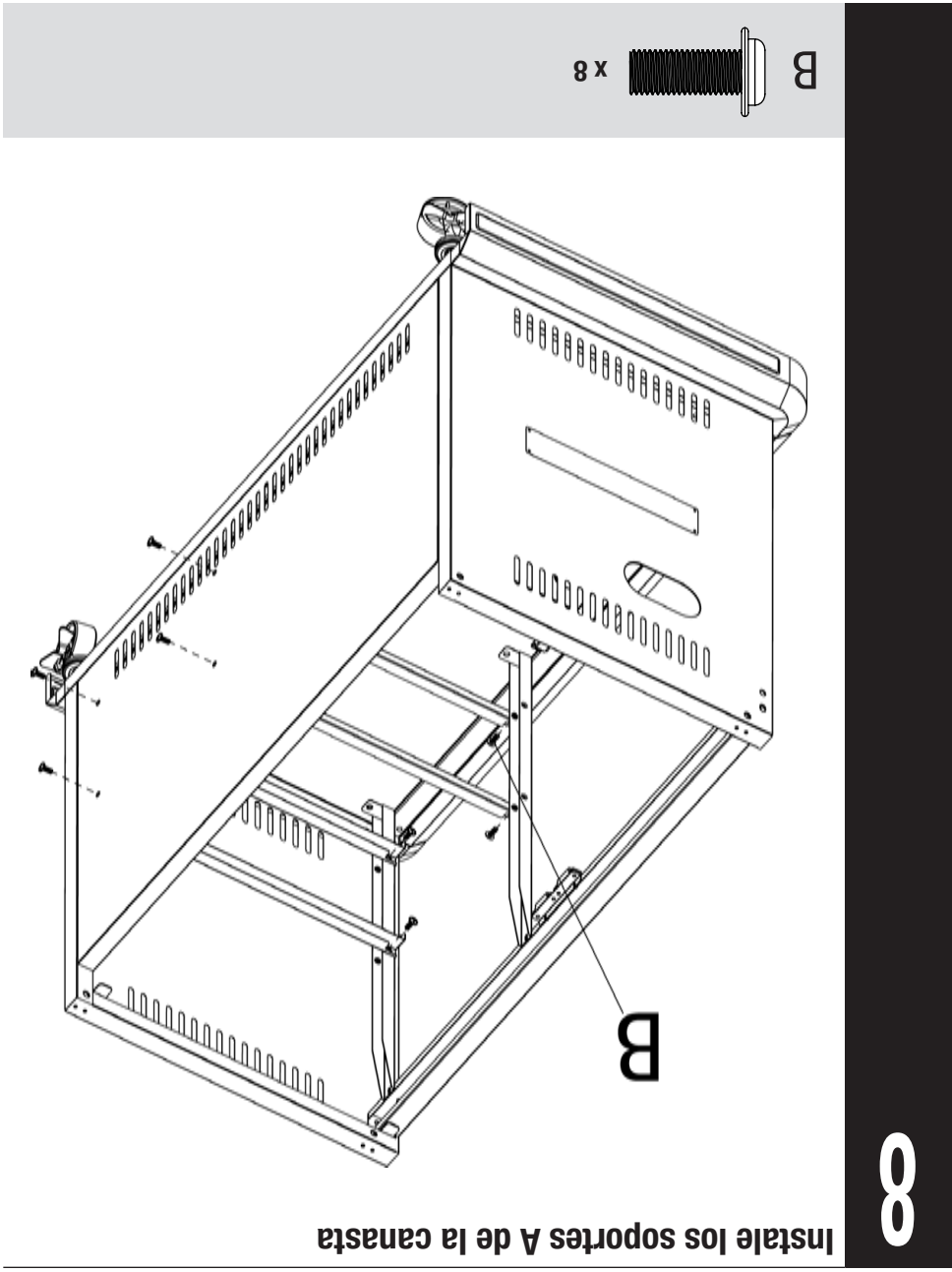
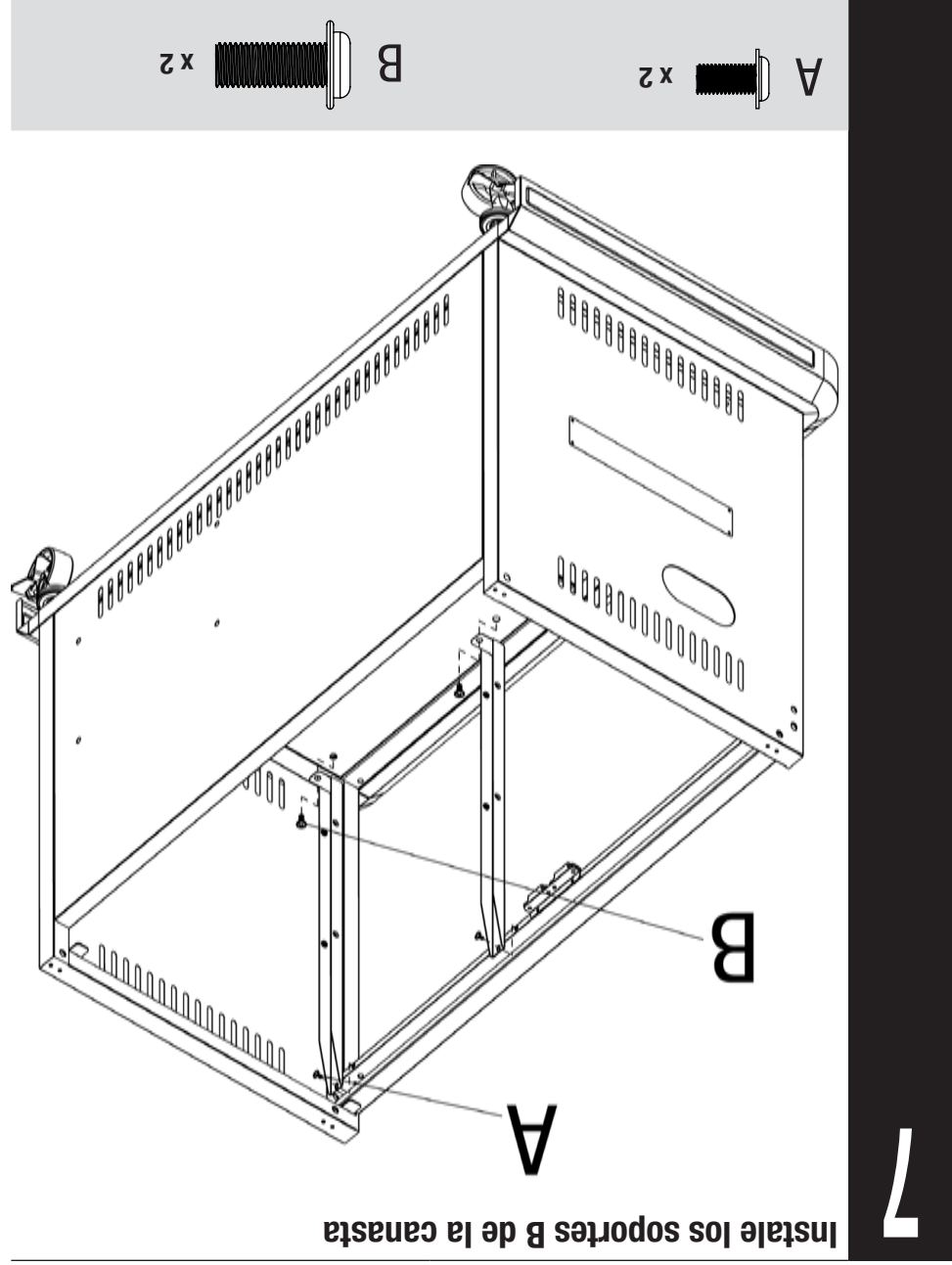
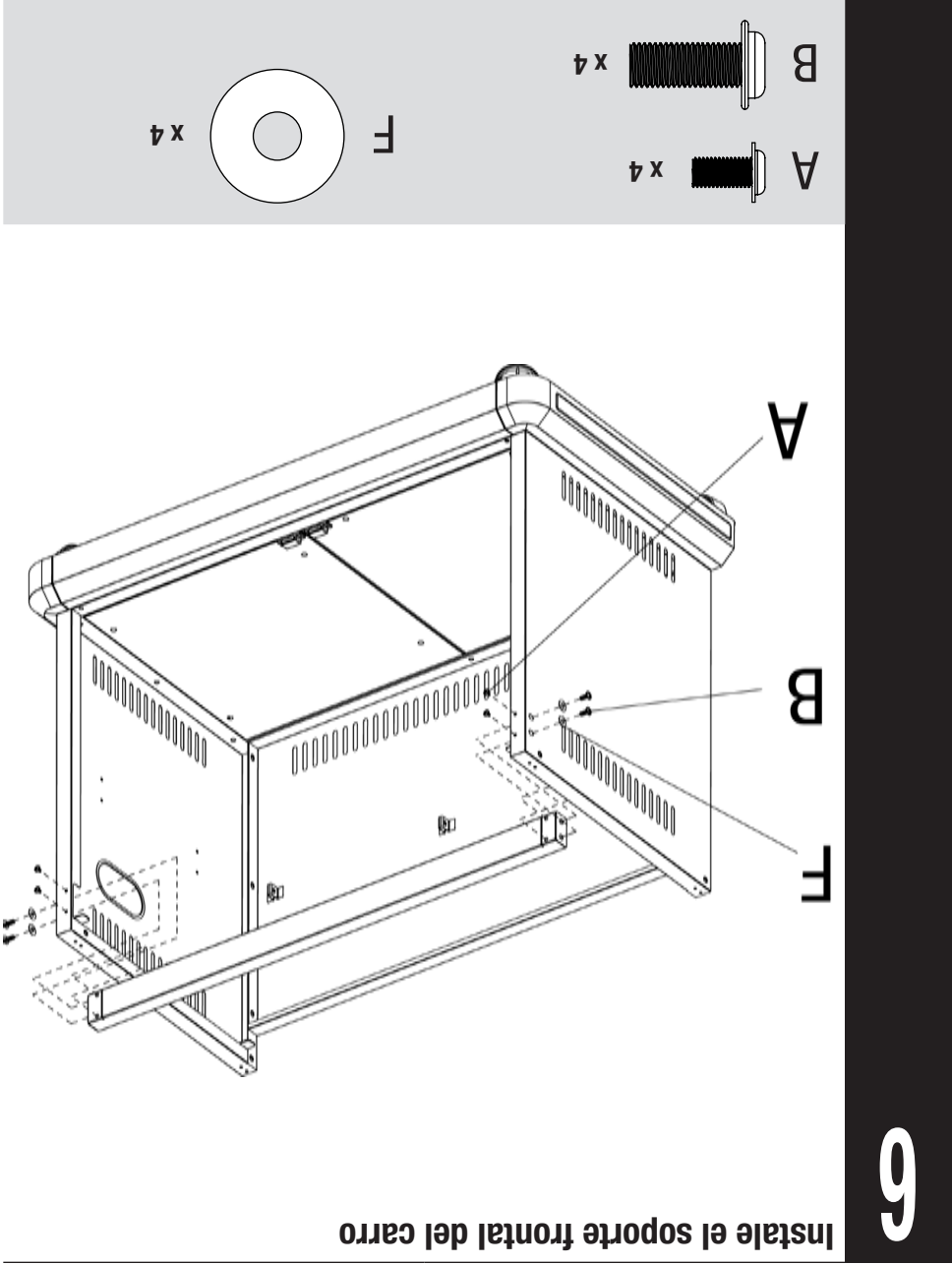
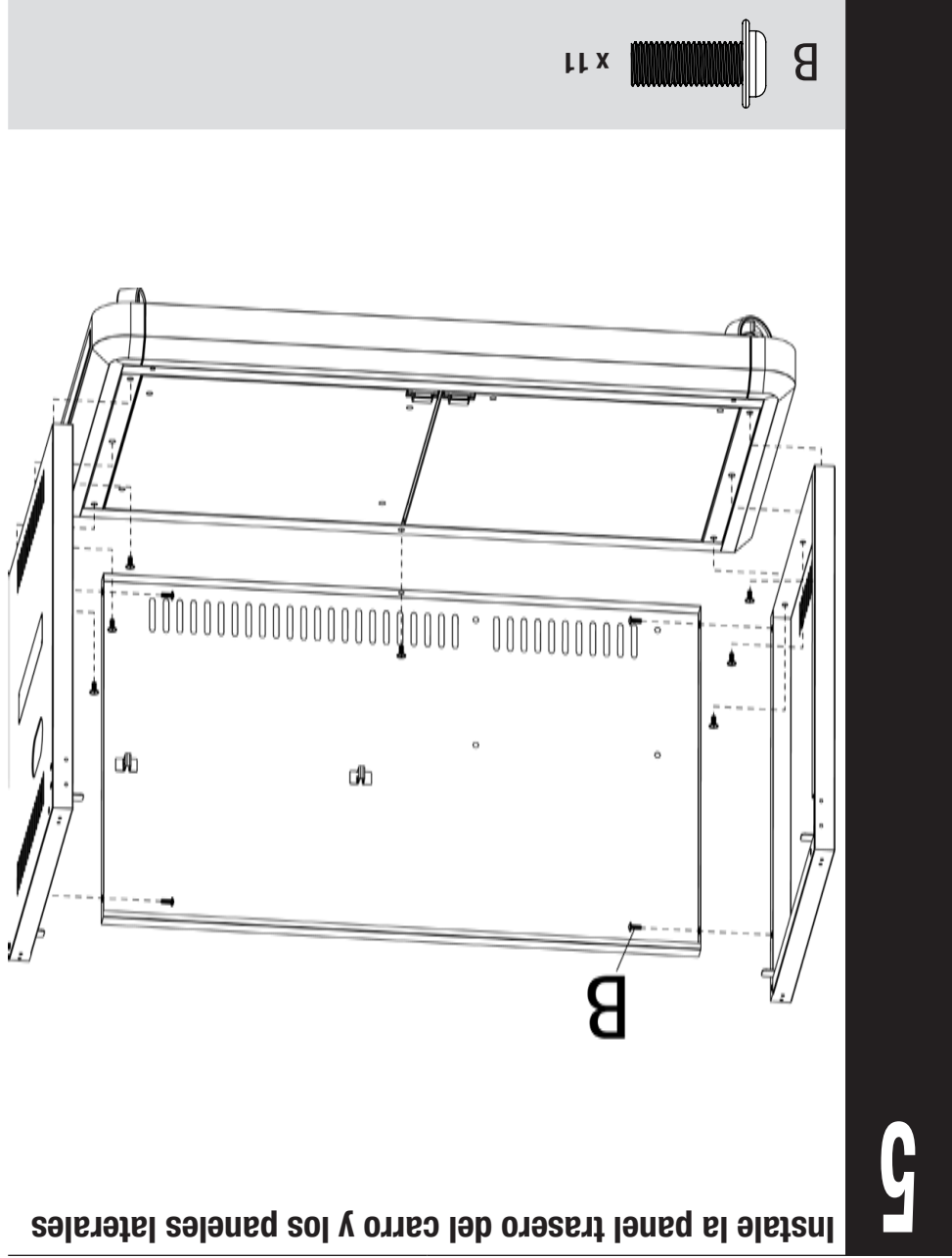
Instale las pilas AAA del temporizador digital



Instale el panel frontal de la repisa izquierda y la barra para las toallas

12





NO DEVUELVA EL PRODUCTO AL LUGAR DE COMPRA.

Si necesita ayuda llame, sin cargo, al 1.800.762.1142. Por favor tenga a mano su manual y el número de serie de la unidad, para referencia.

Nota: El número de serie se encuentra en la parte trasera del carro.

Para facilitar el armado:

- Evite la pérdida de componentes pequeños o elementos de ferreteria, armando el producto en un lugar de piso plano sin aberturas ni hendiduras.
- Despeje un área suficientemente grande para disponer todos los componentes y los elementos de ferreteria.
- Cuando sea del caso, apriete a mano, en un principio, las conexiones de ferreteria. Una vez que ha terminado el paso, apriete completamente todos los elementos de ferreteria.
- Siga todos los pasos en el orden indicado para armar debidamente esta unidad.

Para terminar el armado de la unidad necesitará:

- (1) solución para detección de fugas. Las instrucciones sobre cómo preparar esta solución se encuentran en la sección "Instrucciones de operación".

Nota: Es importante que siga en forma apropiada todos los pasos de armado de la parrilla.

Tiempo de armado estimado: una (1) hora

1

NO DEVUELVA EL PRODUCTO AL LUGAR DE COMPRA.

Si necesita ayuda llame, sin cargo, al 1.800.762.1142. Por favor tenga a mano su manual y el número de serie de la unidad, para referencia.

Nota: El número de serie se encuentra en la parte trasera del carro.

Para facilitar el armado:

- Evite la pérdida de componentes pequeños o elementos de ferreteria, armando el producto en un lugar de piso plano sin aberturas ni hendiduras.
- Despeje un área suficientemente grande para disponer todos los componentes y los elementos de ferreteria.
- Cuando sea del caso, apriete a mano, en un principio, las conexiones de ferreteria. Una vez que ha terminado el paso, apriete completamente todos los elementos de ferreteria.
- Siga todos los pasos en el orden indicado para armar debidamente esta unidad.

Para terminar el armado de la unidad necesitará:

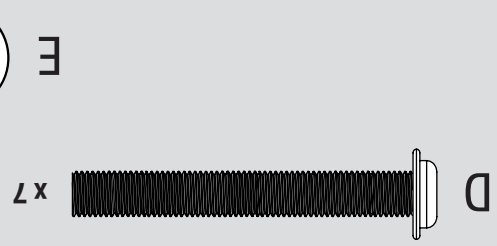
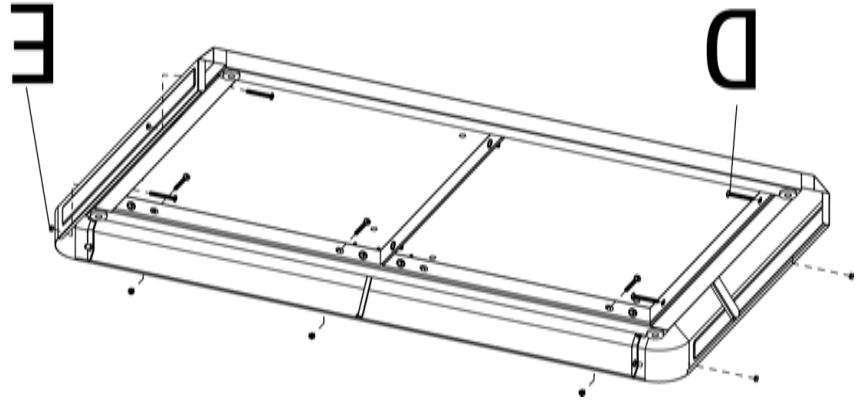
- (1) solución para detección de fugas. Las instrucciones sobre cómo preparar esta solución se encuentran en la sección "Instrucciones de operación".

Nota: Es importante que siga en forma apropiada todos los pasos de armado de la parrilla.

Tiempo de armado estimado: una (1) hora

3

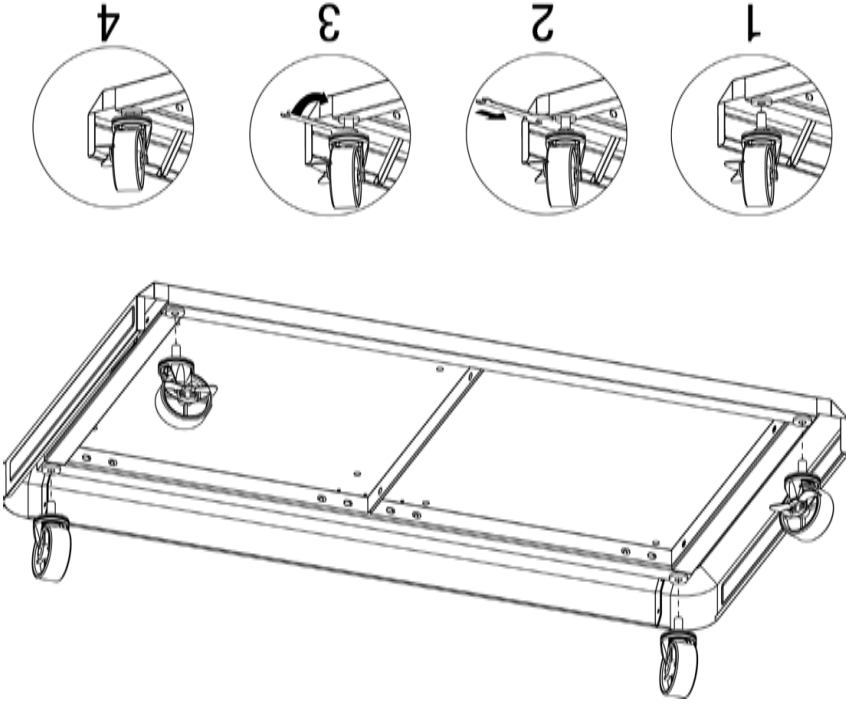
Instale la falda en el panel de base del carro



4

Instale las ruedas

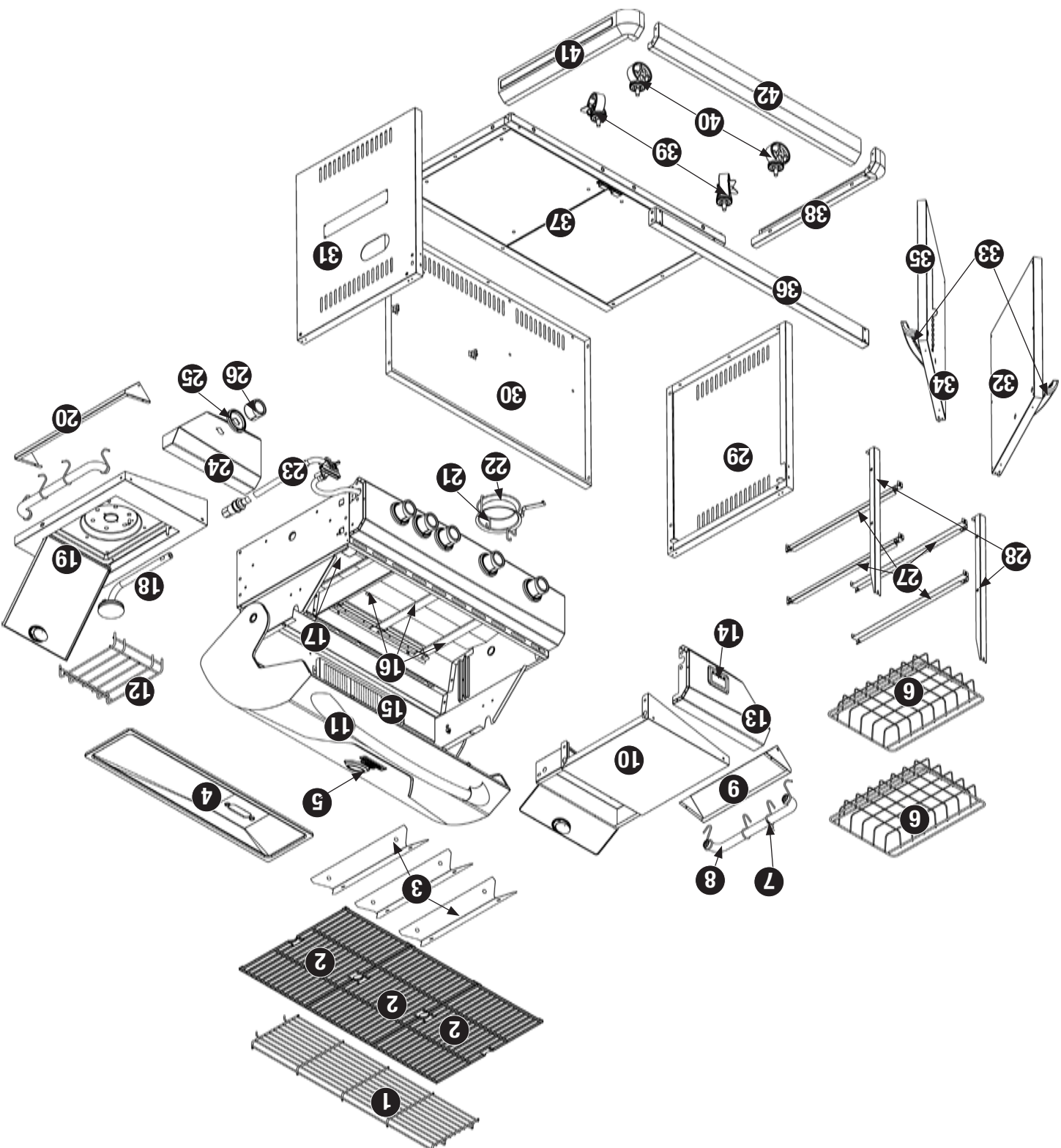
Nota: las ruedas con cierre deben colocarse atrás



Lista de piezas

1	Rejilla de calentamiento	55-07-551
2	Parrilla de cocción (3)	55-07-501
3	Placa de calor (3)	55-08-076
4	Bandeja para la grasa	55-07-509
5	Termómetro	55-07-547
6	Canasta (2)	55-08-067
7	Gancho para utensilios de cocción (8)	55-07-549
8	Barra de toalla (2)	55-07-548
9	Panel lateral de la repisa izquierda	55-08-081
10	Repisa izquierda	55-08-079
11	Cuerpo de la parrilla	55-08-074
12	Rejilla del quemador lateral	55-07-543
13	Panel frontal de la repisa izquierda	55-08-402
14	Temporizador digital	55-08-073
15	Quemador trasero infrarrojo	55-07-513
16	Quemador principal (3)	55-08-086
17	Quemador de soasar	55-08-109
18	Quemador lateral	55-08-110
19	Repisa derecha	55-08-094
20	Panel lateral de la repisa derecha	55-08-096
21	Taza para grasa	55-07-507
22	SopORTE de la taza para grasa	55-07-508
23	Regulador	55-08-386
24	Panel frontal de la repisa derecha	55-08-095
25	SopORTE de la perilla de control (6)	55-08-071
26	Perilla de control (6)	55-08-070
27	SopORTE A de la canasta (4)	55-08-065
28	SopORTE B de la canasta (2)	55-08-066
29	Panel izquierdo del carro	55-08-077
30	Panel trasero del carro	55-08-090
31	Panel derecho del carro	55-08-092
32	Puerta izquierda	55-08-078
33	Manija de puerta (2)	55-08-011
34	Puerta derecha	55-08-093
35	Vara de encendido	55-07-520
36	SopORTE frontal del carro	55-07-505
37	Panel de base del carro	55-08-396
38	Falda izquierda	55-08-082
39	Rueda con cierre (2)	55-07-528
40	Rueda (2)	55-07-506
41	Falda derecha	55-08-097
42	Falda central	55-08-069

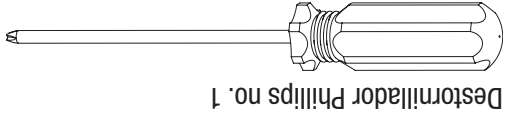
Diagrama de explosión



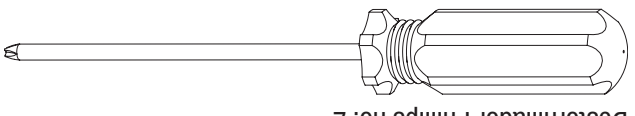
Elementos de ferretería

A	Tornillo	Phillips de cabeza abombada, niquelado, M4x8	20 pzs
B	Tornillo	Phillips de cabeza abombada, niquelado, M6x15	25 pzs
C	Tornillo	Niquelado, de cabeza hexagonal, M6x15	21 pzs
D	Tornillo	Phillips de cabeza abombada, niquelado, M6x46	11 pzs
E	Tuerca	Galvanizada, M6	7 pzs
F	Arandela	Niquelada, ø6,5	8 pzs
G	Pila AAA		2 pzs

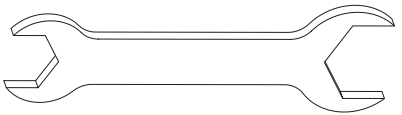
Herramientas necesarias para el armado (incluidas)



Destornillador Phillips no. 1



Destornillador Phillips no. 2



Llave inglesa M10-M6



PELIGRO

Si huele a gas -

1. Cierre la entrada de gas al aparato.
2. Apague cualquier llama activa.
3. Abra la tapa.
4. Si el olor persiste, llame inmediatamente a su proveedor de gas o al departamento de bomberos.

ADVERTENCIA

PARA SU SEGURIDAD:

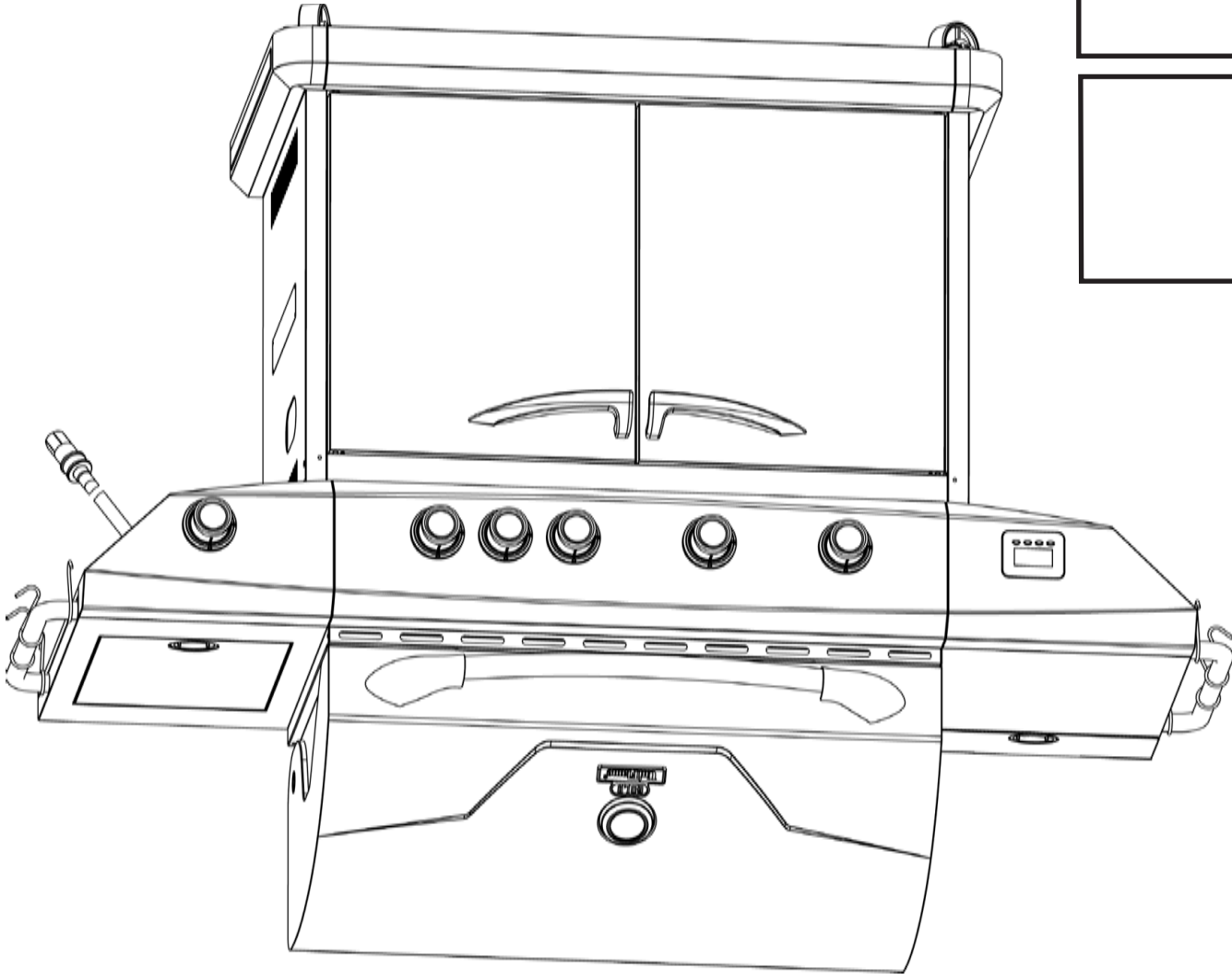
No guarde o use gasolina u otros líquidos o vapores inflamables en la vecindad de esta unidad o de cualquier otro aparato.

PELIGRO: El no seguir los avisos de peligro, las advertencias y las precauciones de este manual, puede ocasionar un incendio o una explosión, con sus consecuentes daños a la propiedad, lesiones personales y hasta accidentes fatales.

- ADVERTENCIA:**
- ▲ Esta parrilla es para ser usada al aire libre únicamente y no debe usarse en un edificio, garaje o cualquier otra área cerrada.
 - ▲ NO opere, encienda o use esta unidad a menos de 2,43 m de paredes estructuras o edificaciones.
 - ▲ Esta parrilla de gas NO ha sido diseñada para uso comercial.
 - ▲ Esta parrilla utiliza únicamente gas natural (GN) como combustible. El convertir o tratar de convertir esta parrilla de gas natural para ser usada con gas propano líquido (PL) es peligroso e invalida la garantía de la unidad.
 - ▲ La instalación de la unidad y sus reparaciones deben hacerse por personal calificado de servicio.
 - ▲ Características del gas natural (GN):
 - a. El gas natural es inflamable y resulta peligroso si se manipula inadecuadamente. Antes de utilizar cualquier producto que emplee gas natural, estudie detenidamente sus características.
 - b. El gas natural es un gas explosivo bajo presión, más denso que el aire y se asienta en pozos en zonas bajas.
 - c. En su estado natural, el gas natural no tiene ningún olor. Para su seguridad, se añade una esencia odorífera que huele a col podrida.
 - d. El contacto directo con el gas natural puede causar quemaduras frías en la piel.
 - e. El no seguir exactamente las instrucciones dadas arriba puede producir un incendio con daños a la propiedad, lesiones serias y hasta fatales.
 - ▲ No intente nunca acoplar esta parrilla al sistema de gas natural de un campero, de una casa móvil o de su propia casa.
 - ▲ El uso de bebidas alcohólicas, medicamentos o drogas de farmacia puede afectar la habilidad del usuario para armar debidamente u operar en forma segura este aparato.
 - ▲ No use nunca gas propano líquido, carbón de leña, líquido para encendedor, piedras volcánicas, gasolina, queroseno o alcohol con este aparato.
 - ▲ Todas las conexiones de gas de su parrilla han sido verificadas en fábrica en cuanto a fugas de gas. Sin embargo, pruebe la integridad de todas las conexiones ya que el movimiento en transporte puede aflojar algunas de ellas.
 - ▲ Verifique que no haya fugas aún si el aparato ha sido armado por otra persona.
 - ▲ No opere la unidad si hay una fuga de gas. Las fugas de gas pueden provocar un fuego o una explosión.
 - ▲ Antes de operar esta unidad, debe observar todos los procedimientos para verificar que no hay fugas de gas. Para evitar cualquier riesgo de fuego o de explosión al comprobar si hay fugas:
 - a. Compruebe siempre si hay fugas antes de encender la parrilla, cada vez que el tanque de gas está conectado.
 - b. No fume. No use o permita fuentes de ignición en el área al comprobar si hay fugas.
 - c. Siempre compruebe si hay fugas en exteriores donde hay una buena ventilación.
 - d. No use cerillas o fósforos, encendedores o una llama para comprobar si hay fugas.
 - e. No use la parrilla hasta que todas las fugas hayan sido reparadas. Si no puede parar una fuga, cierre (OFF) la válvula principal de la línea de suministro de gas natural. Llame a un técnico o a su proveedor de gas natural local.
 - ▲ La unidad y su válvula individual de apagado deben desconectarse del sistema de suministro de gas durante pruebas de presión del sistema de suministro de gas a presiones de más de 1/2 psi (3.5 kPa).
 - ▲ La unidad debe aislarse del sistema de suministro de gas cerrando su válvula individual de apagado manual durante pruebas de presión del sistema de tubería de suministro de gas a presiones de más de 1/2 psi (3.5 kPa).
 - ▲ Cuando se de servicio a esta parrilla siempre realice una prueba de fugas en las conexiones de gas. Nunca use una llama para detectar estas fugas. No fume cuando esté realizando pruebas de fugas de gas. No guarde o use gasolina u otros líquidos o vapores inflamables a menos de 7,62 m (25 pies) de esta unidad.
 - ▲ No utilice el equipo en una atmósfera explosiva. Mantenga la zona de la parrilla libre de materiales combustibles, gasolina y cualquier otro vapor o líquido inflamable.
 - ▲ La distancia mínima de la unidad a cualquier material o construcción combustible debe ser de por lo menos 53 cm por los costados y 53 cm por el respaldo. No coloque esta unidad debajo de aleros de materiales combustibles.
- Es fundamental mantener limpio el compartimiento de la válvula de la parrilla, los quemadores y los conductos de aire circulante. Inspeccione la parrilla antes de cada uso.
- ▲ No altere la parrilla de ninguna forma.
 - ▲ No utilice la parrilla a menos que esté COMPLETAMENTE montada y que todas las piezas estén bien fijadas y apretadas.
 - ▲ Esta parrilla de gas debe limpiarse y verificarse completamente de manera regular. Limpie y revise la manguera antes de cada uso del aparato. Si detecta alguna señal de abrasión, desgaste, cortes o fugas, deberá sustituir la manguera antes poner en marcha el aparato.
 - ▲ Utilice únicamente el regulador y el conjunto de manguera incluido. El regulador de repuesto y el conjunto de manguera de repuesto serán los especificados por el fabricante.
 - ▲ Use únicamente piezas autorizadas de fábrica de Blue Rhino Global Sourcing, Inc. El uso de cualquier pieza no autorizada de fábrica puede ser peligroso.
 - ▲ No encienda esta unidad sin haber leído las instrucciones de "Operación" que se encuentran en este manual.
 - ▲ No toque las piezas de metal de la parrilla hasta que no se haya entrado completamente (alrededor de 45 minutos) para evitar quemaduras, a menos que usted tenga puestos elementos de protección tales como guantes o almohadilla para las ollas, guantes de barboca, etc.
 - ▲ Cuando esté cocinado, tenga fácilmente accesibles los elementos para extinguir un incendio. En caso de que la sustancia de freír se incendie no trate de extinguir el fuego con agua. Use un extinguidor de material químico seco tipo BC o ahogue el fuego con tierra, arena o soda de hornear.
 - ▲ No instalar o utilizar en embarcaciones o vehículos de recreo.
 - ▲ No utilice la parrilla si hace mucho viento.
 - ▲ Nunca se apoye sobre la parrilla cuando la está encendiendo.
 - ▲ No deje una parrilla encendida sin vigilancia, especialmente, mantenga los niños y las mascotas lejos de la parrilla en todo momento.
 - ▲ No intente mover la parrilla mientras esté encendida. Deje que la parrilla se enfríe antes de moverla o guardarla.
 - ▲ Abra siempre la tapa de la parrilla en forma cuidadosa y lentamente, pues el calor y el vapor que hay dentro de la parrilla pueden ocasionarle severas quemaduras.
 - ▲ Coloque siempre la parrilla sobre una superficie firme y nivelada, alejada de productos combustibles. Una superficie de asfalto o de pavimento puede que no sea adecuada para este propósito.
 - ▲ Retire las mangueras de gas lo más lejos posible de las superficies calientes y de las zonas donde gotee grasa caliente.
 - ▲ Mantenga todos los cables eléctricos lejos de una parrilla caliente.
 - ▲ NO use la parrilla de gas para cocinar adentro o calentar el ambiente. Los gases TÓXICOS pueden acumularse y provocar la asfixia.
 - ▲ Después de un periodo de almacenamiento o de falta de uso de la unidad, verifique que no haya fugas u obstrucciones en el quemador e inspeccione la manguera para detectar zonas gastadas o cortes en ella. El no abrir la tapa cuando se están encendiendo los quemadores de la parrilla, o el no esperar cinco minutos para permitir que el gas salga de la parrilla cuando el gas no se ha encendido, puede provocar una llamarada explosiva.
 - ▲ Si la parrilla no se está usando, el gas debe cerrarse en la línea de suministro de gas natural.
 - ▲ Nunca opere la parrilla antes de haber instalado las placas de calentamiento.
 - ▲ Use siempre un termómetro para carne para asegurar que la comida ha quedado cocida a la temperatura apropiada.
 - ▲ Esta parrilla ha sido diseñada para funcionar a una presión de 5 pulgadas (17,7 cm) de columna de agua.
 - ▲ Por favor, use guantes de protección cuando esté armando este producto.
 - ▲ No trate de forzar las piezas juntas pues esto puede ocasionar lesiones o dañar el producto.
 - ▲ Nunca cubra la totalidad del área de cocción con papel de aluminio.
 - ▲ El no seguir exactamente las instrucciones dadas arriba puede producir daños a la propiedad, lesiones serias y hasta fatales.

Parrilla de gas natural para exteriores

Modelo no. GBC873WNG



ADVERTENCIA



PARA SU SEGURIDAD:
Solamente para uso en exteriores
(fuera de cualquier recinto)

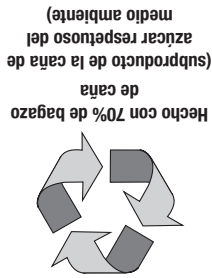
1. Una instalación, ajuste, alteración, reparación o mantenimiento inadecuados pueden causar lesiones o daños a la propiedad.

2. Lea atentamente las instrucciones de instalación, funcionamiento y mantenimiento del equipo antes de instalarlo, ponerlo en marcha o darle servicio.

3. El sistema de combustible debe ser instalado por personal calificado y licenciado. Las instalaciones inapropiadas presentan peligros que pueden provocar lesiones personales y daños a la propiedad. Sírvase ponerse en contacto con su proveedor local de gas natural para obtener estos servicios.

4. El no seguir estas instrucciones puede ocasionar un incendio o una explosión, con sus consecuentes daños a la propiedad, lesiones personales y hasta accidentes fatales.

Proposición 65 de California: La combustión asociada con el uso de este aparato crea sustancias químicas consideradas por el Estado de California como causantes de cáncer, malformaciones congénitas u otros daños en el sistema reproductivo.



Índice

Salvaguardias importantes	2
Diagrama de explosión y elementos de ferretería	3
Instrucciones de armado	4
Conexión a la línea de suministro de gas natural	10
Instrucciones de operación	10
Comprobar si hay fugas	10
Operación de los quemadores principales	10
Operación del quemador de soasar	11
Operación del quemador lateral	12
Operación del quemador trasero infrarrojo	12
Sugerencias para la cocción	12
Operación del temporizador digital	12
Limpieza y cuidado	13
Registro del producto	13
Garantía limitada	14
Resolución de problemas	15

Antes de proceder con la instalación, comuníquese con sus autoridades municipales para obtener los códigos de construcción pertinentes y con el departamento de bomberos local para verificación de la instalación.

Conservar estas instrucciones para futuras consultas. Si está montando esta unidad para otra persona, entéguele este manual para futuras consultas.

El uso e instalación de este producto ha de realizarse de acuerdo con los códigos locales. Si no existen códigos locales, use las normas siguientes: *Código Nacional para Gas y Combustibles, ANSI Z223.1/NFPA 54, CAN/CGA-B149.1, Código de Instalación de Propano y Gas Natural.*

Blue Rhino Global Sourcing, Inc.
Winston-Salem, NC EE.UU.
1.800.762.1142, www.bluerhino.com

© 2007 Blue Rhino Global Sourcing, Inc. Todos los derechos reservados.

Free Manuals Download Website

<http://myh66.com>

<http://usermanuals.us>

<http://www.somanuals.com>

<http://www.4manuals.cc>

<http://www.manual-lib.com>

<http://www.404manual.com>

<http://www.luxmanual.com>

<http://aubethermostatmanual.com>

Golf course search by state

<http://golfingnear.com>

Email search by domain

<http://emailbydomain.com>

Auto manuals search

<http://auto.somanuals.com>

TV manuals search

<http://tv.somanuals.com>