



CONGRATULATIONS on getting "BOB'd"! (becoming the new owner of a BOB Product). BOB is a company that produces high quality products, which encourage a healthy, outdoor, car-free lifestyle. In addition to strollers, we also make single-wheeled cargo trailers for bicycles. See www.bobtrailers.com for our complete line of products. Before attempting to assemble or use your new stroller, read and understand these operating instructions completely to insure proper assembly and operation. This manual covers assembly, use, and maintenance instructions.

Thanks for getting BOB'd !!

FEATURES:

- ▶ 2 position shock absorbers for light or heavy loads
- ▶ padded, individual reclining seat backs
- ▶ detachable, washable seat
- ▶ 2 hand position handle bars
- ▶ light weight cro-moly/aluminum alloy frame
- ▶ multi-position sun canopy
- ▶ large storage compartments
- ▶ quick release wheels
- ▶ quick fold, compact design: folds with wheels attached or removed

⚠ WARNINGS ⚠

Before using this BOB stroller read and understand this manual in its entirety for assembly, use, and safety instructions. If you are unclear on any point, contact your dealer or BOB before use.

- ▶ Never leave children unattended in the stroller.
- ▶ Failure to properly assemble or install the quick release hubs on this stroller may result in the wheels becoming detached while moving and a subsequent loss of control of the stroller.
- ▶ Always use seat harnesses to avoid serious injury to children from sliding or falling out of stroller.
- ▶ Always use wrist safety strap.
- ▶ Never allow occupants to stand in stroller.
- ▶ The parking brake is not designed as a stopping brake. We do not recommend using the brake to stop the stroller when it is moving. The brake is intended to park the stroller on flat surfaces not on inclines. Never leave your children in the stroller unattended with or without the parking brake set!
- ▶ Do not strap parcels or bags to the handle as it affects the balance and stability of the stroller and can cause it to tip over backwards.
- ▶ The maximum carrying capacity load of the stroller is 100 pounds.
- ▶ Do not place sharp objects in the seatback pocket as your child leans against this and can be injured as a result.
- ▶ When starting out, always make sure that your kid's hands and feet are away from wheel spokes.
- ▶ The Duallie is not equipped for use after dark. If you intend to use it at night, we recommend installing wheel reflectors and a lighting system available through your local bike shop.
- ▶ We do not recommend wearing roller skates or inline skates while pushing stroller.

AGE RECOMMENDATIONS - It is recommended that your child be a minimum of 6 to 8 weeks old before riding in the stroller. Young babies incapable of holding their head up must be provided additional head and neck support to ride safely. For jogging and off road use, children should be at least 6 to 8 months old. Children develop at different rates. Consult with your pediatrician regarding the suitability of the stroller use with your child.

ASSEMBLY INSTRUCTIONS:

NOTE: BOB IS NOT RESPONSIBLE FOR INJURY, DAMAGE, OR FAILURE THAT RESULTS FROM OWNER'S FAULTY ASSEMBLY OR MAINTENANCE AFTER SHIPPING.

Reference Fig. 1 as it describes the various parts of the Duallie.

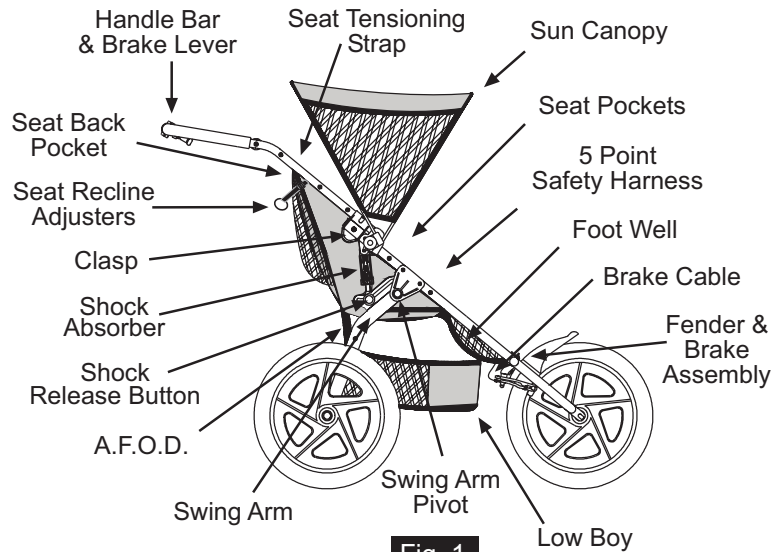


Fig. 1
Anatomy of the BOB Duallie

1 SWINGARM: Rotate the swingarm, away from the front of the stroller until the shocks engage in the first position as shown in Fig. 2. The shocks' locking pins will "snap" and lock into position.

2 HANDLE: Rotate the stroller handle up to the fully open position and secure the clasps as shown in Fig. 3. To secure the clasps, rotate them towards the ground until they "snap" into place.

3 MULTI-POSITION SUN CANOPY: To open the sun canopy, hold one support in each hand and rotate them away from one another until the canopy is fully opened. The canopy has a spring-loaded adjustment system and will click in place as it reaches each new position.

4 AFOD: With the stroller in the opened position, attach the AFOD (Anti-Fly-Out-Device) around the cross tube with the plastic buckle, as shown in Fig. 4. It is important that the AFOD is always properly secured, as it is part of the child's seat restraint system.

5 FENDER INSTALLATION: Before installing the front wheel in step 6, you will need to attach the fender. The two attachment screws can be found already installed on the frame. Remove the two

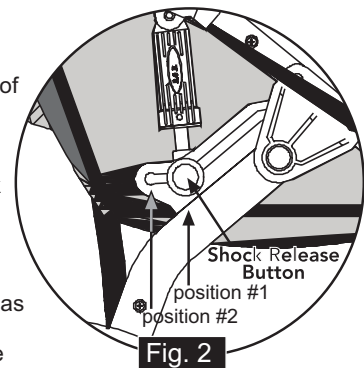


Fig. 2
Swingarm in unfolded position with shock in position #1

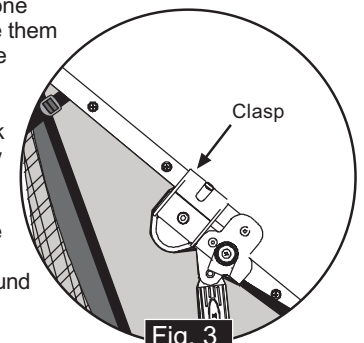


Fig. 3
Stroller with handle in the unfolded position and clasps shut.

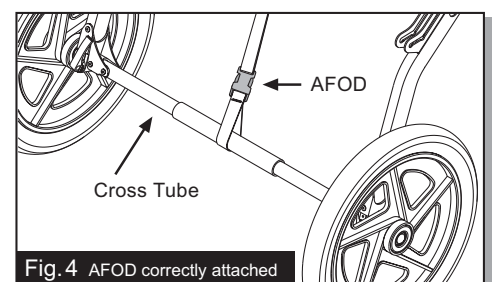
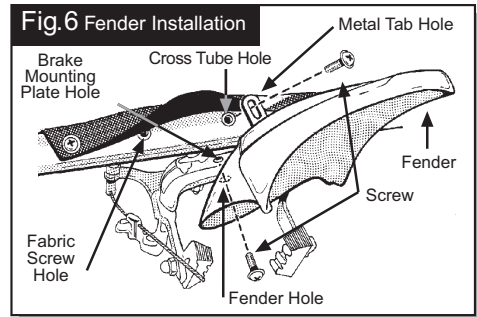
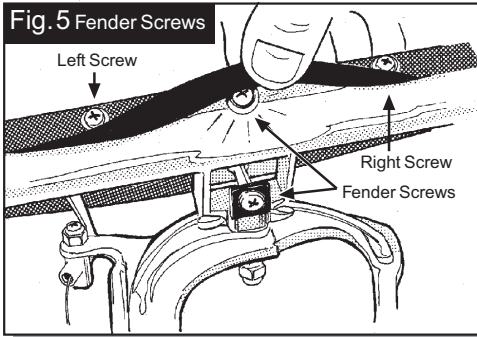


Fig. 4 AFOD correctly attached

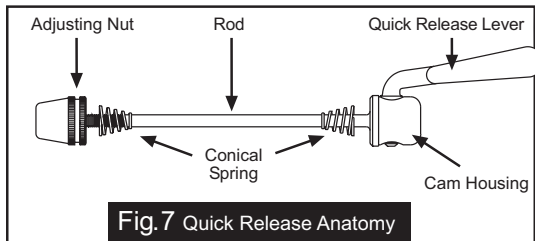
fender mounting screws, see Fig 5. You may wish to remove a fabric screw (right or left) to give better access to the cross tube fender screw. Align the hole in the metal tab of the fender with the threaded hole in the center of the front cross tube and install screw, see Fig. 6.



Align the hole in the plastic fender with the small hole in the brake mounting plate and install screw, see Fig. 6. Center fender on stroller and tighten both screws.

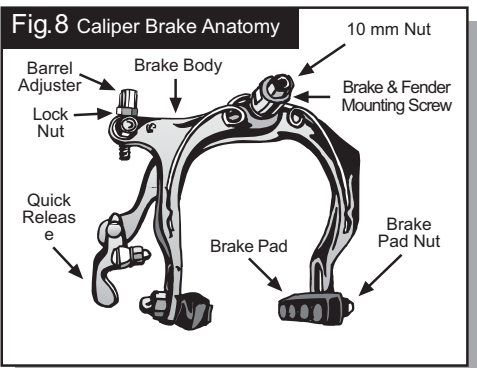
6 FRONT WHEEL:

Fig. 7 shows the anatomy of the front wheel quick release. To install the quick release remove the plastic axle caps from the axle of the wheel.



Remove the adjust nut and one spring from the quick release, and install the quick release rod into the wheel axle. Install the spring (small end towards the center of the wheel) and screw on the adjust nut by turning in a clockwise direction. Tighten the nut only three turns (final adjustment will be made after the wheel is installed). Open the brake quick release as shown in Fig. 8 by squeezing the brake pads together with your right hand, and pulling down and then rotating the quick release lever in the clock-wise direction with your left hand.

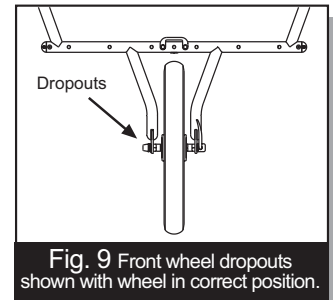
The Duallie's drop outs, Fig. 9, are slotted to receive the axle of the wheel. Slide the wheel into the dropouts so that the quick release lever is on the right hand side as you face the stroller. Make sure the wheel is centered in the frame and that the axle is touching the back of the drop out slot.



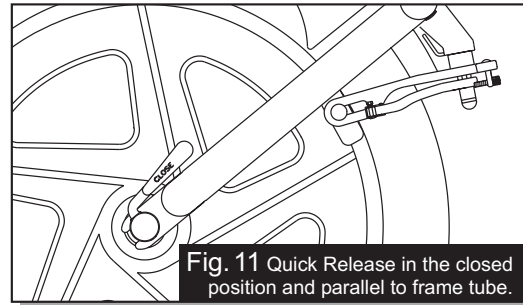
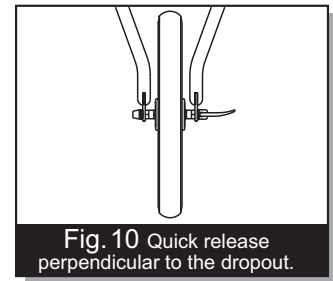
The Duallie's drop outs, Fig. 9, are slotted to receive the axle of the wheel. Slide the wheel into the dropouts so that the quick release lever is on the right hand side as you face the stroller. Make sure the wheel is centered in the frame and that the axle is touching the back of the drop out slot.

7 The quick release is NOT a nut and bolt system. It is a cam-activated tightening mechanism. Securely tighten the quick release as follows: Turn the quick release lever to a 90 degree angle to the dropout, Fig. 10. Keep the quick release lever from turning while you hand tighten the adjusting nut by turning it in the clockwise direction until it comes in contact with the stroller dropout. Turn the quick release lever towards the rear of the stroller to the closed position, Fig. 11. The word CLOSE should be clearly visible and the quick release lever

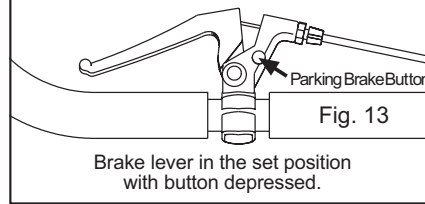
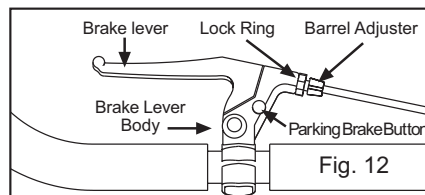
should be parallel to the stroller frame tube. It should require considerable pressure to close the lever when it is properly adjusted. If you do not feel this resistance, turn the quick release lever back to the adjusting position, Fig. 10. Hand tighten the adjusting nut by one or two more turns in the clockwise direction. Move the quick release lever toward the closed position, Fig. 11. When properly adjusted, it requires 80-105 inch-pounds of pressure to move the lever to the fully closed position. NOTE: Follow all instructions exactly. If you are unsure how to operate the quick release, consult your dealer.



8 PARKING BRAKE: The brake is a parking brake, it prevents the stroller from moving while loading and unloading it. The parking brake is not designed as a stopping brake. We do not recommend using the brake to stop the stroller when it is moving. The brake is intended to park the stroller on flat surfaces not on inclines. Never leave your children in the stroller unattended with or without the parking brake set! After installing the front wheel, the brake caliper will need to be placed in the closed position. Close the brake quick release, as shown in Fig. 8, by squeezing the brake pads against the wheel with your right hand and rotating the brake quick release lever in the counter clock-wise direction with your left hand until it points downward.



To set the parking brake, squeeze the brake lever and depress the button shown in Fig. 12 then release lever. When the brake is properly set, the button will remain depressed and the lever will appear as shown in Fig. 13. To release the parking brake, squeeze the brake lever and note how button "pops" up. For the parking brake to work correctly, it is critical that the brake be adjusted properly. Proper adjustment includes three main points: 1) that the pads contact the rim correctly, 2) that the brake is centered on the frame, and 3) that the distance from the pads to the rim is about 3/16 of an inch as shown in Fig. 14. Squeeze the brake lever and verify that the brake pads contact the rim as shown in Fig. 15. If they are misaligned, use a 10mm wrench to loosen brake nuts, slide pads into correct position and tighten securely. The cable tension is pre-adjusted at the factory yet the brake cable will need periodic adjustment (as the cable stretches slightly and the black cable housing compresses over time).



When the brake is properly set, the button will remain depressed and the lever will appear as shown in Fig. 13. To release the parking brake, squeeze the brake lever and note how button "pops" up. For the parking brake to work correctly, it is critical that the brake be adjusted properly. Proper adjustment includes three main points: 1) that the pads contact the rim correctly, 2) that the brake is centered on the frame, and 3) that the distance from the pads to the rim is about 3/16 of an inch as shown in Fig. 14. Squeeze the brake lever and verify that the brake pads contact the rim as shown in Fig. 15. If they are misaligned, use a 10mm wrench to loosen brake nuts, slide pads into correct position and tighten securely. The cable tension is pre-adjusted at the factory yet the brake cable will need periodic adjustment (as the cable stretches slightly and the black cable housing compresses over time).

To adjust cable tension, there are two barrel adjusters in the brake assembly, shown in Fig. 12 and Fig. 8. To tighten the cable, loosen the lock ring and turn the barrel adjuster in the counter clockwise direction. Secure the barrel adjuster in the new position by tightening the lock ring against the caliper or brake lever body. There should be a 3/16" clearance between the rim and brake pads as shown in Fig. 14. If gap is not equal on each brake pad, you can reposition the brake on the frame by loosening the nut shown in Fig. 8 with a 10mm wrench, adjust to the gap shown in Fig. 14 and re-tighten the 10mm nut. If you do not understand these instructions, or feel the brake is adjusted incorrectly, take the stroller to your dealer for proper adjustment. If your brake pads (Fig. 8) are worn, see your dealer for replacements.

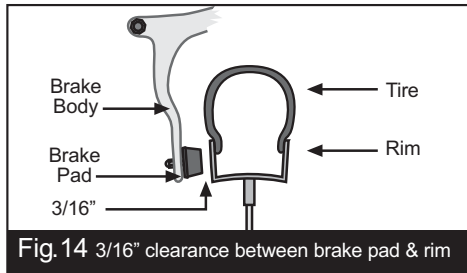


Fig. 14 3/16" clearance between brake pad & rim

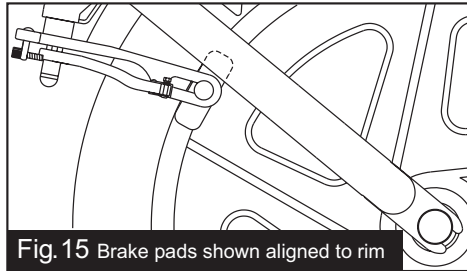


Fig. 15 Brake pads shown aligned to rim

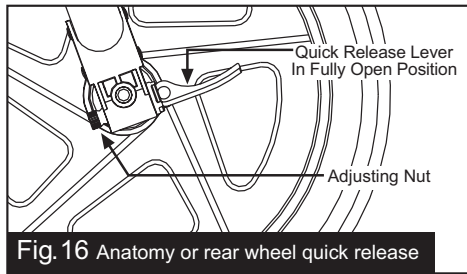


Fig. 16 Anatomy of rear wheel quick release

9 REAR WHEEL: Fig. 16 shows the anatomy of the rear wheel quick release in its open position. Install the wheel by sliding the wheel into the hole in the rear dropout (Fig. 16) until the washer on the axle comes in contact with the dropout (Fig. 17). If the axle does not slide all the way into the snap ring, it is necessary to loosen the quick release. Do this by placing the quick release in the fully open position, Fig. 16, and loosening the adjust nut on the quick release. Re-install the wheel. The quick release is NOT a nut and bolt system. It is a cam-activated tightening mechanism. Securely tighten the quick release as follows:

- ▶ Move the quick release lever fully open position, Fig. 16.
- ▶ Tighten the adjusting nut by turning it in the clockwise direction.
- ▶ Move the quick release lever toward the stroller, to the closed position, Fig. 18. The word CLOSE should be clearly visible and the quick release lever should be

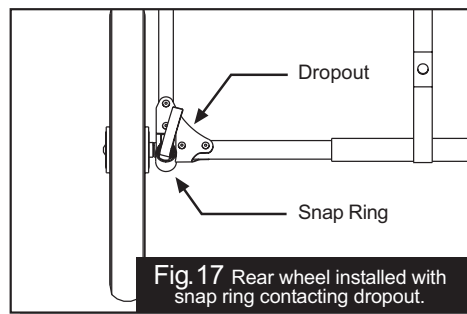


Fig. 17 Rear wheel installed with snap ring contacting dropout.

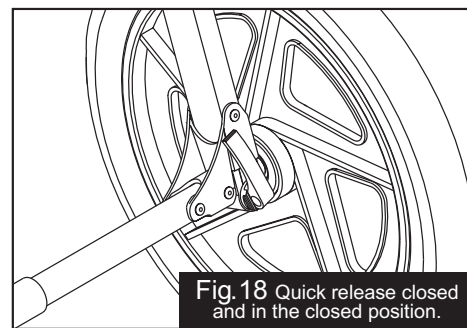


Fig. 18 Quick release closed and in the closed position.

pointing up and parallel to the swing arm. When it is properly adjusted, it will require considerable pressure to close the lever. If you do not feel this resistance, turn the quick release lever back to the fully open position, Fig. 16. Tighten the adjusting nut by hand (no tools required!) one or two more turns in the clockwise direction. Move the quick release lever toward the closed position, Fig. 18. When properly adjusted, it requires 80-105 inch/pounds of pressure to move the lever to the fully closed position. NOTE: Follow all instructions exactly. If you are unsure how to operate the quick release, consult your dealer.

10 TIRE PRESSURE: The recommended tire pressure range is embossed on the sidewall of the tire, (usually 30-40 psi). Tire pressure can be adjusted to offer different degrees of suspension and rolling resistance.

IMPORTANT: Inflation pressure must always fall within the range embossed on the side wall of the tire.

11 SHOCK ABSORBERS: The suspension system features two shock positions to provide a comfortable ride for kids of different weights. The two positions are shown in Fig. 2. Position 1 is intended for occupants up to 50 lbs. (22.5 kg), while position 2 is intended for occupants from 50 to 100 lbs. (22.5 to 45 kg) total. The Duallie features a sliding track and spring loaded shock axle that automatically locks in place when it aligns with either of the two shock settings. Shock position adjustments should be made with the stroller unloaded. The Duallie will lock into position 1 when unfolding the stroller. To use the stiffer shock position, move the shock from position 1 to position 2 by depressing the shock release button (Fig. 3) with one hand, and with the other hand, lift slightly and pull the shock backward. When the shock axle is properly aligned in position 2, the axle will "snap" into place. Repeat this process for the second shock. To move the shock from position 2 to position 1, reverse the above process for both shocks.

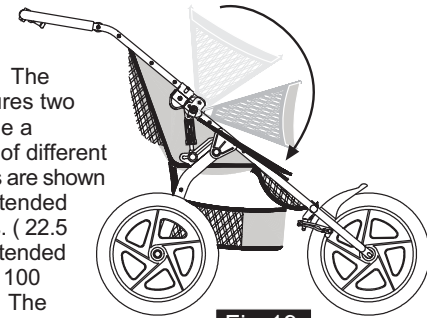


Fig. 19 Sun canopy collapsed & folded down on lower frame.

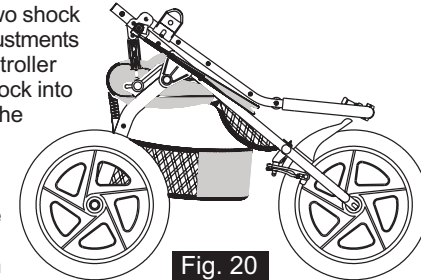


Fig. 20 Stroller with canopy folded



Fig. 21 Depress shock release buttons, lift rear wheels & slide shocks forward.

12 FOLDING: Collapse the sun canopy, rotating it forward towards the front wheel, as shown in Fig. 19. Remove the contents of the Low Boy cargo pouch. Unbuckle the AFOD strap (Fig. 4). Release the clasps shown in Fig. 1, rotating them up and fold the handle forward as shown in Fig. 20. With both hands, depress the shock release knobs, lift the rear wheels slightly and slide the shocks forward, Fig. 21. The wheels will fold up and the stroller will collapse as shown in Fig. 22. The stroller can be folded to an even more compact size by removing the front and rear wheels. The front wheel is removed by opening the brake quick release (Fig. 8), opening the wheel

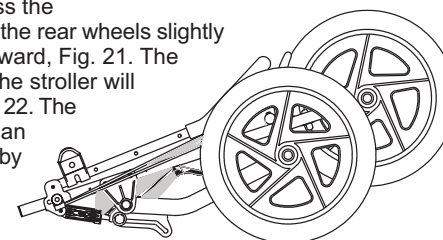


Fig. 22 Stroller in fully folded position

quick release and removing the wheel. See section # 6 above. The rear wheels are removed by opening the rear wheel quick releases, Fig. 16, and removing the wheels. To keep the stroller in the folded position for storage and transport there are elastic loops at the end of each reclining strap. Simply place the elastic loops around the shock bracket flanges. See Fig. 23. Note: The elastic loop tie down strength is highest when the seat recline strap is in the fully reclined position.

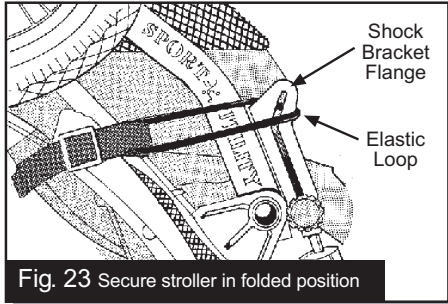


Fig. 23 Secure stroller in folded position

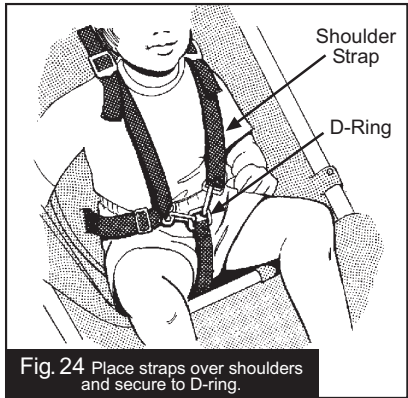


Fig. 24 Place straps over shoulders and secure to D-ring.

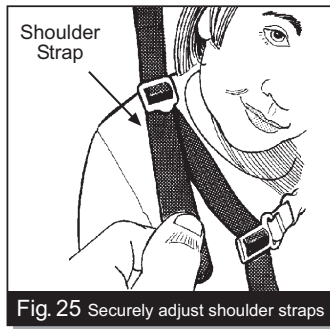


Fig. 25 Securely adjust shoulder straps

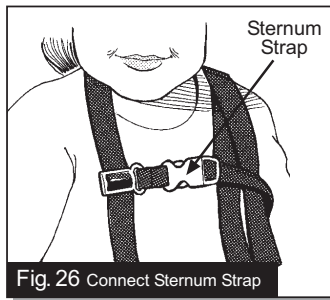


Fig. 26 Connect Sternum Strap

13 SEAT SAFETY

HARNES: To secure your child in the seat, put one strap over each shoulder and connect the waist line snap hooks to the crotch strap D-ring as shown in Fig. 24. Adjust shoulder straps to be snug and secure as shown in Fig. 25.

Connect and adjust the sternum strap, see Fig. 26.

WARNING: Never place passengers in the stroller without securing them in the harness. Unrestrained passengers can affect the control of the stroller. Total Passenger Weight Limit - 100 Pounds (45 Kilograms)

14 RECLINING SEAT:

To recline the seat, secure the parking brake, rotate the ladder locks forward, Fig. 27, thus releasing the reclining straps. The seat back can be adjusted to recline anywhere between the fully upright position and the fully reclined position where the loops run into the ladder locks, Fig. 28.

To return the stroller to the fully upright position, set the parking brake and pull the reclining straps (Fig. 28) until the seat is in the fully upright position.

15 SEAT TENSIONING:

The seat compartments are divided by a section of nylon webbing that runs the length of the stroller. From time to time it may be necessary to increase the tension of the webbing. To adjust the tension start with handlebar in the fully open position as shown in Fig 3. At the top of the seat the webbing loops over the handlebar cross tube and connects to a laddelock. At the bottom of the ladderlock there is a tensioning strap. Pull on this strap to increase the tension.

STROLLER MAINTENANCE TIPS AND FABRIC CARE:

The SUS fabric is 100% polyester with a stain resistant treatment that makes cleanup easy. Small cleanups can be done by sponging with a solution of mild soap and lukewarm water (maximum temperature of 100 degree Fahrenheit). Rinse thoroughly with clean water to remove soap then air dry. Do not use detergent. If the seat becomes

extremely soiled, it is possible to remove the fabric from the frame. To remove the seat fabric, use a Philips head screwdriver to remove all the fabric screws. The fabric should be washed by hand and hang dried. Do not machine wash or dry. **NOTE:** Remove padded seat back from its pocket before washing!

STORAGE: It is best to store your stroller indoors when it is not in use. This will prolong its attractive appearance. The sun's ultraviolet rays can fade and damage the fabric, the tires, and other plastic parts.

CARGO: The Duallie is equipped with four small pockets for the kids, a seatback pocket and a Low Boy cargo pouch under the stroller. Adding weight to the seatback changes the center of gravity of the stroller, and increases the possibility that it will tip over backwards. For this reason, loads in the seatback pocket should never exceed two pounds. Although the seatback is padded, it is important to remember that this is what your child leans against. Never place sharp or injurious objects into the seatback pocket.

LIMITED WARRANTY

BOB Trailers Inc. takes pride in its workmanship and strives to manufacture the best products possible. Therefore, we warranty our Duallies against defects in material and workmanship subject to the conditions listed below. Since no product is indestructible, it does not cover defects attributable to or resulting from normal wear or tear, abuse or alteration.

- ▶ Frame is warranted for 5 years.
- ▶ Components and fabric are warranted for one year.
- ▶ Warranty is only valid for the original purchaser.
- ▶ Proof of purchase is required to exercise this warranty.
- ▶ Labor and freight charges are not included.
- ▶ Normal wear, neglect, abuse, accidents, improper assembly or maintenance, or the installation of parts or accessories not compatible with the original intended use of the stroller, as sold, are not covered by this Warranty.
- ▶ Warranty claims must be made through an authorized dealer.
- ▶ This warranty is limited to the repair or replacement of the defective part. BOB shall in no event be responsible for consequential or special damages.
- ▶ This Limited Warranty is the only express or implied warranty applicable to BOB. Any implied warranties, including warranties of merchantability and fitness shall be limited in scope and duration in accordance with this limited warranty.

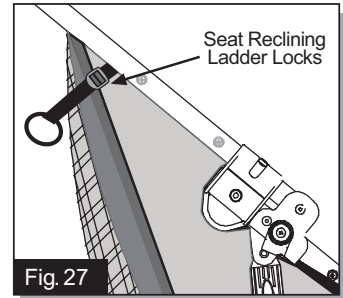


Fig. 27

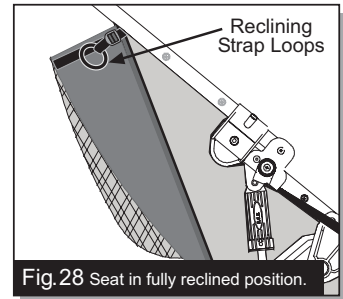


Fig. 28 Seat in fully reclined position.

STROLLER ACCESSORIES!

Also available for Duallie Models



Your little one will be dry & comfortable in bad weather, strolling with the BOB Weather Shield!..



Warm Fuzzy Seat Insert - The ultimate in plushness & comfort. Thick, polypropylene fleece will give you and your child a warm fuzzy! (Two required)

Free Manuals Download Website

<http://myh66.com>

<http://usermanuals.us>

<http://www.somanuals.com>

<http://www.4manuals.cc>

<http://www.manual-lib.com>

<http://www.404manual.com>

<http://www.luxmanual.com>

<http://aubethermostatmanual.com>

Golf course search by state

<http://golfingnear.com>

Email search by domain

<http://emailbydomain.com>

Auto manuals search

<http://auto.somanuals.com>

TV manuals search

<http://tv.somanuals.com>