

CHICAGO[®]

Electric

SPOTLIGHT

10 MILLION CANDLE POWER

Model 93255

ASSEMBLY AND OPERATING INSTRUCTIONS



Due to continuing improvements, actual product may differ slightly from the product described herein.



3491 Mission Oaks Blvd., Camarillo, CA 93011

Visit our Web site at <http://www.harborfreight.com>

Copyright[®] 2005 by Harbor Freight Tools[®]. All rights reserved. No portion of this manual or any artwork contained herein may be reproduced in any shape or form without the express written consent of Harbor Freight Tools.

For technical questions and replacement parts, please call 1-800-444-3353

REV 01/07

Download from [Www.Somanuals.com](http://www.Somanuals.com). All Manuals Search And Download.

Specifications

Item	Description
Power Source	Battery, sealed lead-acid, 12 VDC/ 7 Ah
Light Bulb	H4 12V100/90W,
Lens	8 inch diameter with reflector
Charging Adapter	120 VAC to 15 VDC/ 500 mA
Operation Adapter	Double-ended "cigarette lighter" plug 12 VDC adapter with built-in 10A fuse
Weight	9.45 lbs.
Features	Charging status indicator; Carrying strap; Adjustable stand; Can also be used as a 12 VDC/ 10 A power supply

Save This Manual

You will need the manual for the safety warnings and precautions, assembly instructions, operating and maintenance procedures, parts list and diagram. Keep your invoice with this manual. Write the invoice number on the inside of the front cover. Keep the manual and invoice in a safe and dry place for future reference.

Safety Warnings and Precautions

WARNING: When using tool, basic safety precautions should always be followed to reduce the risk of personal injury and damage to equipment.

Read all instructions before using this tool!

1. **Avoid eye damage.** Do not shine light directly into the eyes of people or animals. Temporary blindness can occur.
2. **Avoid burns.** Do not touch the Spotlight lens during operation. It becomes very hot. Allow the Spotlight to cool down before performing any maintenance.
3. **Avoid overheating the Spotlight.** Do not block the lens and reflector during operation.
4. **Observe work area conditions.** Do not use in damp or wet locations. Don't expose to rain. Do not use electrically powered tools in the presence of flammable gases or liquids.
5. **Keep children away.** Children must never be allowed in the work area. Do not let them handle machines, tools, or extension cords.
6. **Store idle equipment.** When not in use, tools must be stored in a dry location to inhibit corrosion.

7. **Use the right tool for the job.** Do not attempt to force a small tool or attachment to do the work of a larger industrial tool. There are certain applications for which this tool was designed. It will do the job better and more safely at the rate for which it was intended. Do not modify this tool and do not use this tool for a purpose for which it was not intended.
8. **Maintenance.** For your safety, service and maintenance should be performed by a qualified technician as a high voltage hazard exists within the unit circuitry. Battery replacement is not hazardous, however.
9. **Check for damaged parts.** Before using any tool, any part that appears damaged should be carefully checked to determine that it will operate properly and perform its intended function. Do not use if any parts are broken; or any other condition that may affect proper operation. Any part that is damaged should be properly repaired or replaced by a qualified technician. Do not use the tool if any switch does not turn On and Off properly.
10. **Replacement parts and accessories.** When servicing, use only identical replacement parts. Use of any other parts will void the warranty. Only use accessories intended for use with this tool. Approved accessories are available from Harbor Freight Tools.
11. **Grounded tools must be plugged into an outlet properly installed and grounded in accordance with all codes and ordinances. Never remove the grounding prong or modify the plug in any way. Check with a qualified electrician if you are in doubt as to whether the outlet is properly grounded.** If the tools should electrically malfunction or break down, grounding provides a low resistance path to carry electricity away from the user.
12. **Avoid body contact with grounded surfaces such as pipes, radiators, ranges, and refrigerators.** There is an increased risk of electric shock if your body is grounded.
13. **Do not abuse the Adapter Power Cord. Never use the Power Cord to carry the adapter or pull the Plug from an outlet. Keep the Power Cord away from heat, oil, sharp edges, or moving parts. Replace damaged Power Cords immediately.** Damaged Power Cords increase the risk of electric shock.
14. **When operating a power tool outside, use an outdoor extension cord marked "W-A" or "W".** These extension cords are rated for outdoor use, and reduce the risk of electric shock.

Note: Performance of this Spotlight may vary depending on variations in local line voltage while charging, or Spotlight Battery power.

Battery Precautions

1. Read all instructions and warnings on the Battery before charging the battery.
2. To avoid accidents, charge the supplied Battery only. Use only the supplied charging adapters for charging the internal Battery.
3. Replace a dead Battery with only the same type (See Specifications, page 2).
4. Do not expose the Battery to rain or wet conditions.
5. To avoid damage of cable and plug, never pull the cable to disconnect the Adapter.
6. Do not use the Adapters if the cable or plug are damaged.
7. Repairs should be carried out by a qualified technician.
8. Do not touch the Battery poles with any conductive source.
9. Do not store the Battery in a box with other metal objects.
10. Do not throw the Battery in a fire or in the general trash. Contact your local hazardous waste disposal authority for proper disposal.
11. Do not drain the Battery completely before recharging. Recharge fully when low, or quarterly when stored.
12. Always recharge the Battery when tool performance begins to diminish. Severe heat is most destructive to a Battery; the more heat generated, the faster the Battery loses power. A Battery that gets too hot can be

permanently damaged. Never over-discharge a Battery by using the tool even after tool performance is decreasing. When tool performance begins to diminish, stop the tool, and recharge the Battery.

13. Always remove the Battery from the Spotlight before performing inspection, maintenance, cleaning procedures, or storage.

Warning: The warnings, cautions, and instructions discussed in this instruction manual cannot cover all possible conditions and situations that may occur. It must be understood by the operator that common sense and caution are factors which cannot be built into this product, but must be supplied by the operator.

Unpacking

When unpacking, check to make sure the following parts are included. If any parts are missing or broken, please call Harbor Freight Tools at the number on the cover of this manual.



Charging Battery

Caution: Set the Spotlight On/Off Switch to the Off position before charging. Never charge the Battery for over 16 hours. Charge only until the red LED Battery Status Indicator shuts off. Do not operate the Spotlight while charging.

1. Open the Charging Port Cover (10) and plug the AC/DC Adapter (37) into the charging port underneath, and the other end into the 120 VAC electrical outlet.

The Charging Status Indicator turns red, indicating charging. The Battery will charge for approximately 13-16 hours if the AC Adapter is used.

When charging is complete, the Charging Status Indicator turns off, indicating charging is complete.

2. Unplug the Adapter from the power source and store again in the Adapter compartment of the Spotlight. Latch the Back Cover.

Note: Never attempt to charge the Battery (25) by using the Car Plug Adapter (36). This Adapter should only be used to power the spotlight when the battery is out of power.

Operation

Warning: Avoid eye damage. Do not shine light directly into the eyes of people or animals. This Spotlight emits a high intensity beam and could cause temporary blindness if shined directly into the eyes.

1. To turn the Spotlight on, hold the Rubber Grip handle with one hand, and push the On/Off Switch with the other. The first stop is the low setting and the second stop is the high setting.
2. To check the battery charge status, press the Battery Status Button (34) with the light on. Note the number of yellow LEDs that illuminate. If there are 3, the unit is almost fully charged. If there is only one, switch the unit off and recharge it.
3. To position the Spotlight at rest, move the Stands to the desired position.
4. To turn the Spotlight off, pull the On/Off Switch back.
5. A 12VDC device that draws less than 10 Amps can be plugged into the 12V Inlet/Outlet (8) and powered by this unit's battery. This will only work while the ON/OFF switch is in its OFF position. **Never try to power a device that uses more than 10 Amps.**

Maintenance

1. Store in a clean and dry location.
2. Charge the Battery after each use, and every three months if not used.
3. If the 12 VDC cord does not function, the fuse may be blown. Unscrew the metal nut at one end of the cord and remove the old fuse. If the wire inside is broken, replace with another F10A250V (Fast-acting, 10 Amp, 250 Volt) fuse of the same type.

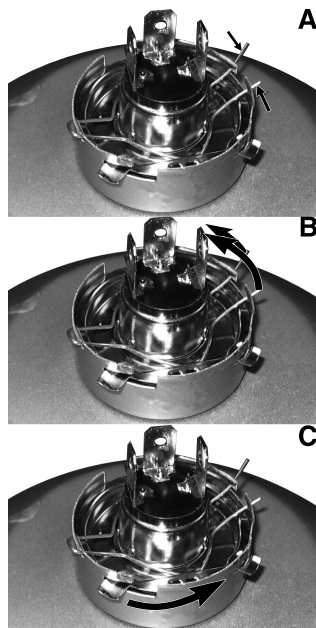
Battery Replacement

1. Remove the screws at the top back of the spotlight and open the Hatch (26).
2. Carefully pull out the existing Battery and pull off the wire terminals.
3. Replace the Battery with a new one of the same type (See page 2).
4. Push the red wire connector onto the positive (+) Battery terminal and the black wire connector onto the negative (-) Battery terminal. **Be sure that the wires are connected properly.** Otherwise, the Spotlight will be damaged.
5. Place Battery back into the battery compartment. Close the Back Cover, and install and tighten screws.
6. Charge the new Battery as described on page 4.

Bulb Replacement

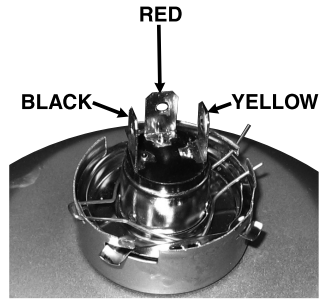
Note: Make sure all parts are cool to the touch before replacing the bulb.

1. Pull the Lens Ring Cover (1) off and set it aside. Un-thread the Lens Holding Ring (2), being careful not to allow the Lens (3) to fall out.
2. Be careful - the edges of the Lens may be sharp! Remove Lens and *gently* set it aside, it is fragile.
3. Remove the Refractor (4) and detach the three wires leading to the Bulb (5).
4. Squeeze the ends of the Bulb Retaining Spring (6) together, and hold them - see **A**, right.
5. Swing the Bulb Retaining Spring (6) up and remove it - see **B**, right.
6. Turn the Bulb (5) slightly counterclockwise and slide it out - see **C**, right.
7. Using a clean rag, cloth or gloved hand, install a proper replacement Bulb without touching the bulb portion. If the bulb is touched, it must be cleaned with rubbing alcohol and allowed to dry before being installed.



(Bulb replacement continued on next page.)

8. Reassembly is the reverse of the earlier steps. When reattaching the wires, be certain that the wires are reattached in the order shown to the right.



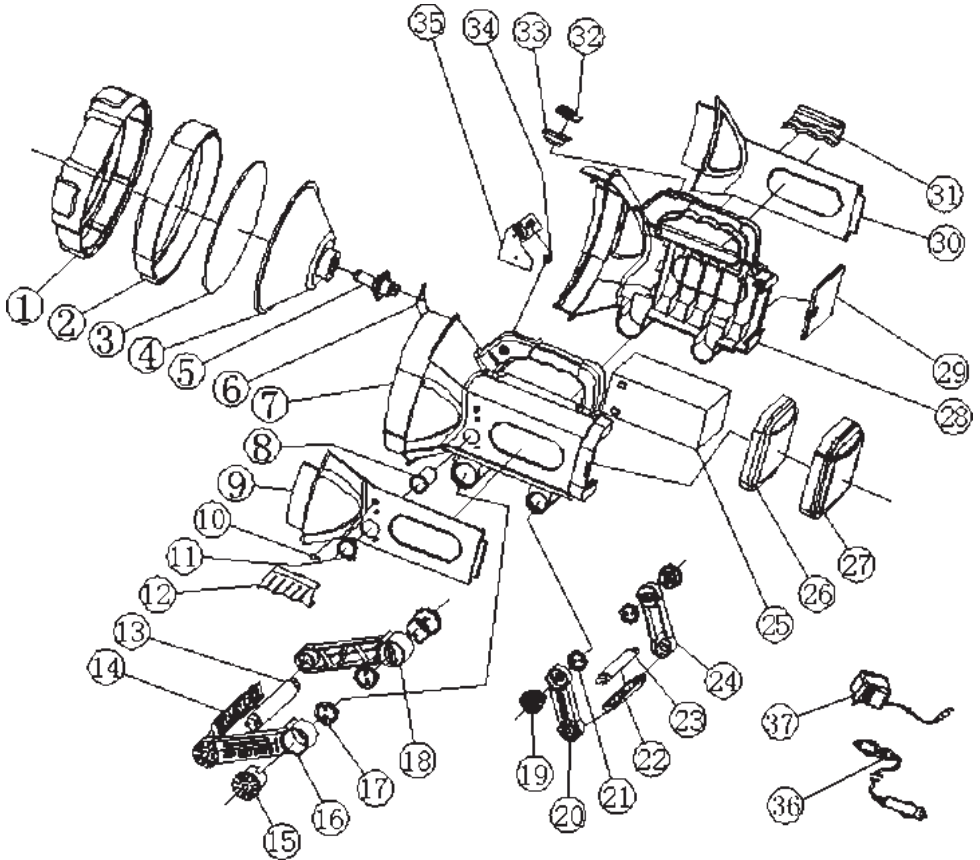
Parts List

Part	Description
1	Lens Ring Cover
2	Lens Holding Ring
3	Lens
4	Refractor
5	Bulb (H4 12V100/90,)
6	Bulb Retaining Spring
7	Left Housing
8	12V Inlet/Outlet
9	Left Housing Cover
10	Charging Port Cover
11	12V Inlet/Outlet Cover
12	Left Handle
13	Upper Front Stand Bar
14	Lower Front Stand Bar
15	Front Stand Hinge Cover
16	Left Front Stand Leg
17	Front Stand Hinge
18	Right Front Stand Leg
19	Rear Stand Hinge Cover

Part	Description
20	Left Rear Stand Leg
21	Rear Stand Hinge
22	Lower Rear Stand Bar
23	Upper Rear Stand Bar
24	Right Rear Stand Leg
25	7 Ah, 12V Battery
26	Battery Hatch
27	Battery Hatch Cover
28	Right Housing
29	Battery Cover
30	Right Housing Cover
31	Right Handle
32	Slider
33	Switch
34	Battery Status Button
35	Circuit Board
36	Car Plug Adapter
37	AC/DC Charging Adapter

NOTE: Some parts are listed and shown for illustration purposes only and are not available individually as replacement parts.

Assembly Diagram



PLEASE READ THE FOLLOWING CAREFULLY

THE MANUFACTURER AND/OR DISTRIBUTOR HAS PROVIDED THE PARTS DIAGRAM IN THIS MANUAL AS A REFERENCE TOOL ONLY. NEITHER THE MANUFACTURER NOR DISTRIBUTOR MAKES ANY REPRESENTATION OR WARRANTY OF ANY KIND TO THE BUYER THAT HE OR SHE IS QUALIFIED TO MAKE ANY REPAIRS TO THE PRODUCT OR THAT HE OR SHE IS QUALIFIED TO REPLACE ANY PARTS OF THE PRODUCT. IN FACT, THE MANUFACTURER AND/OR DISTRIBUTOR EXPRESSLY STATES THAT ALL REPAIRS AND PARTS REPLACEMENTS SHOULD BE UNDERTAKEN BY CERTIFIED AND LICENSED TECHNICIANS AND NOT BY THE BUYER. THE BUYER ASSUMES ALL RISK AND LIABILITY ARISING OUT OF HIS OR HER REPAIRS TO THE ORIGINAL PRODUCT OR REPLACEMENT PARTS THERETO, OR ARISING OUT OF HIS OR HER INSTALLATION OF REPLACEMENT PARTS THERETO.

Free Manuals Download Website

<http://myh66.com>

<http://usermanuals.us>

<http://www.somanuals.com>

<http://www.4manuals.cc>

<http://www.manual-lib.com>

<http://www.404manual.com>

<http://www.luxmanual.com>

<http://aubethermostatmanual.com>

Golf course search by state

<http://golfingnear.com>

Email search by domain

<http://emailbydomain.com>

Auto manuals search

<http://auto.somanuals.com>

TV manuals search

<http://tv.somanuals.com>