



**BIONAIRE**<sup>®</sup>

cool moisture **BEDROOM** humidifier

MODEL BCM6100

**BIONAIRE**<sup>®</sup>

Read instructions before operating. Retain for future reference.

## Instruction Leaflet

 **INFO-LINE**

If after having read this leaflet, you have any questions  
or comments on your humidifier,  
call **1-800-788-5350** in North America.

428-0848

## **⚠️ HUMIDIFIER SAFETY**

# **PLEASE READ AND SAVE THESE IMPORTANT SAFETY INSTRUCTIONS.**

## **IMPORTANT SAFEGUARDS**

When using electrical appliances, basic safety precautions should always be followed to reduce the risk of fire, electric shock, and injury to persons, including the following:

1. Read all instructions before using the appliance.
2. To avoid fire or shock hazard, plug the appliance directly into a 120V AC electrical outlet.
3. Keep the cord out of heavy traffic areas. To avoid fire hazard, NEVER put the cord under rugs, near heat registers, radiator, stoves, or heaters.
4. DO NOT place humidifier near heat sources such as stoves, radiators, and heaters. Do locate your humidifier on an inside wall near an electrical outlet. The humidifier should be at least 4" away from the wall for best results.
5. NEVER place humidifier in an area where it is accessible to children.
6. NEVER use humidifier in a closed room, particularly where a child may be sleeping, resting, or playing (a closed room may result in excessive humidity).
7. **WARNING:** Do not attempt to refill humidifier without first unplugging the unit from its electrical outlet. Failure to heed this warning may cause personal injury.
8. NEVER place anything over moisture outlet when unit is running.
9. NEVER drop or insert any object into any openings.
10. DO NOT operate any appliance with a damaged cord or plug, if the appliance malfunctions, or if it has been dropped or damaged in any manner. Return appliance to manufacturer for examination, electrical or mechanical adjustment, or repair.
11. Use appliance only for intended household use as described in this manual. Any other use not recommended by the manufacturer may cause fire, electric shock, or injury to persons. The use of attachments not recommended or sold by Bonaire® may cause hazards.
12. DO NOT use outdoors.
13. Always place humidifier on a firm, flat, level surface. (4" from wall). A waterproof mat or pad is recommended for under the humidifier. NEVER place it on a rug or carpet, or on a finished floor that may be damaged by exposure to water or moisture.
14. DO NOT allow the moisture outlet to directly face the wall. Moisture could cause damage, particularly to wallpaper.

15. Humidifier should be unplugged when not in use.
16. NEVER tilt, move, or attempt to empty unit while it is operating. Shut off and unplug before removing the water reservoir and moving the unit.
17. This humidifier requires daily and weekly maintenance. Refer to daily and weekly cleaning procedures.
18. NEVER use detergents, gasoline, glass cleaner, furniture polish, paint thinner, or other household solvents to clean any part of the humidifier.
19. Excessive humidity in a room can cause water condensation on windows and some furniture. If this happens, turn the humidifier OFF.
20. Do not use humidifier in an area where humidity level is in excess of 50%. Use a hygrometer, available at your local hardware store or through Bonaire, to measure the humidity.
21. DO NOT attempt to repair or adjust any electrical or mechanical functions on this unit. Doing so will void your warranty. The inside of the unit contains no user serviceable parts. All servicing should be performed by qualified personnel only.
22. Never place humidifier housing under water flow or immerse in liquids.
23. Do not plug in the cord with wet hands: electric shock could result.
24. Do not block air inlet or outlet grills.
25. Do not fill through openings other than water reservoir.

## **PLEASE SAVE THESE INSTRUCTIONS.**

### **CONSUMER SAFETY INFORMATION**

THIS PRODUCT IS EQUIPPED WITH A POLARIZED AC (a plug having one blade wider than the other). This plug will fit into the power outlet only one way. If the plug does not fit fully into the outlet, reverse the plug. If it still does not fit, contact qualified personnel to install the proper outlet.



### **DO NOT DEFEAT THE SAFETY PURPOSE OF THIS POLARIZED PLUG IN ANY WAY.**

The length of cord used on this appliance was selected to reduce the hazards of becoming tangled in, or tripping over a longer cord. If a longer cord is necessary an approved extension cord may be used. The electrical rating of the extension cord must be equal to or greater than the rating of the humidifier. Care must be taken to arrange the extension cord so that it will not drape over the countertop or tabletop where it can be pulled on by children or accidentally tripped over.

This device complies with Part15 of the FCC Rules. Operation is subject to the following two conditions: (1) this device may not cause harmful interference, and (2) this device must accept any interference received, including interference that may cause undesired operation.

## HOW YOUR COOL MOISTURE HUMIDIFIER WORKS

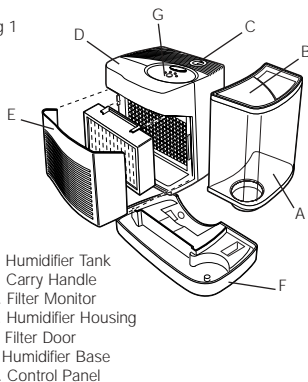
Your Bonaire® Cool Moisture humidifier draws dry air through the front air intake grill area. This air is then passed through a moisture-laden wick filter which retains the minerals and deposits. The resulting moist air is directed back into the room from the top air grill.

☛ Tip: This humidification system provides a cool, invisible moisture output. It is normal not to see the mist.

## PRE-OPERATING INSTRUCTIONS

1. Be sure the humidifier is switched off and disconnected from the electrical outlet.
2. Select a location for your humidifier, on a flat surface, about 4" away from the wall. Do not place your humidifier on furniture, a floor location that will not be damaged by moisture is best.
3. Remove the water tank, by holding the tank handle and lifting straight upwards.
4. Remove the filter door by pulling the tab straight out. Check to see that the wick filter is properly in place. Replace the humidifier filter door.

Fig 1



## FILLING THE WATER TANK


1. Twist off the water tank cap located on the bottom of the water reservoir by turning counter clockwise and fill the water tank with cool, fresh water. Do not fill with warm water as this may cause leaking.
2. After filling the water tank, replace the water tank cap by firmly turning clockwise and then replace the water reservoir on the base. The water reservoir will immediately begin to empty into the base.

## FIRST USE ONLY


1. Put batteries into Remote. The "Room" humidity will be displayed at all times. (Use 3 AAA Alkaline batteries only, do not mix batteries)
2. Plug unit into outlet. The first time the unit is plugged in, it will

beep every two seconds until it is synced with the remote.

To sync unit with remote follow the below steps:

Unlock remote. (This must be done before each use of the remote) To Unlock remote, hold down the mode button for 2 seconds until the lock symbol  disappears on the screen.

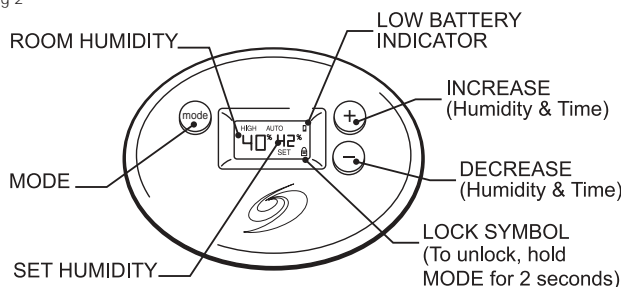
Once the remote is unlocked, press the mode button again and the unit will quickly beep 5 times telling the user the signal was received. If you have more than one humidifier, **DO NOT SYNC more than 1 unit at once.**

**Battery Replacement:** If the batteries are running low on power, a low battery indicator  will appear on the remote. Low batteries will affect transmission distance and the screen contrast. We recommend replacing batteries immediately.

**Remote Distance:** The transmission distance for this remote is approximately 30ft. Do not use farther than 30ft. from the appliance. Remote must be used in same room as appliance.

**Communication Safety Check:** Every minute while in Auto mode, the Galileo™ Center communicates with the base unit. If the Galileo™ Center goes out of range and/or has low batteries, the communication will stop, and after 8 minutes of non-communication the unit will shut off.

Fig 2



## MANUAL OPERATION WITH REMOTE

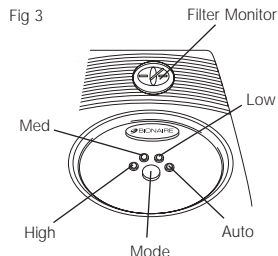
1. Press Mode button on the remote. "High" illuminates on remote screen indicating mode. The power light on the unit will turn on. The unit turns on and operates in "High" mode. The units "High" light will illuminate. In this mode, the unit will continuously run at its high setting.
2. Press Mode button on remote a second time for "Med" mode and once again for "Low" mode.

Note: While using the remote, the backlight function will turn on when any button is pushed and will turn off after 10 seconds of non-use.

Note: Do not block ventilation openings on remote while in use, this may affect the accuracy of the humidity reading.

## HUMIDISTAT OPERATION WITH REMOTE

1. Press Mode button on remote until the remote screen displays "Auto" and "High". The "Set" humidity is displayed next to the "Room" humidity. The "Auto" light on unit will illuminate. The unit will cycle on and off to maintain the "Set" humidity at high setting.  
NOTE: The default room humidity is 45%. In this mode the unit will run to maintain the "Set" humidity.
2. Press Mode button on remote again for "Med" and "Auto", and again for "Low" and "Auto". The unit will cycle on and off to maintain the "Set" humidity at the designated setting.
3. To turn unit "Off", press the Mode button and the LCD will go blank (except for the "Room" humidity display which is always displayed while batteries are in the remote) and the unit will shut off.



Note: It is normal for the humidifier to cycle on and off as it maintains the preset humidity.

### Adjusting Set Humidity:

1. When in "Auto" mode, press the (+) or (-) buttons on the remote. The "Set" number will increase or decrease with each press. Hold the button down to scroll. The minimum humidity is 35% and the maximum is 60%. The unit scrolls one digit at a time in a continuous loop. 35%, 36%..., 59%, 60%, 35%, 36%....

## UNIT OPERATION WITHOUT REMOTE

Your humidifier can be operated directly from the control panel located on the top of the unit

A. Remote and Unit are OFF:

1. Press the Mode button on the unit the first time.  
The "High" light illuminates and the unit runs in "High" mode. The power light turns on.
2. Press the Mode button a second time to run in "Med" mode.
3. Press the Mode button again to run in "Low" mode.
4. Press the Mode button again and the unit shuts off.

Note: The "auto" light only illuminates when the unit is set to "auto" mode by the remote.

B. Remote is ON and Unit is ON:

1. Press the Mode button on the unit. The unit will then switch "Modes"; either from "High" to "Med", "Med" to "Low", or "Low" to "Off". The unit's lights will reflect the change.

The Remote will display a different mode – the mode in which it was left. If a button is pressed on the Remote, the Remote's signal will override the "Mode" on the unit and the two will be back in sync.

### TIMER FUNCTION:

#### Using Timer to Turn Unit Off

- 1) Hold mode button for 2 seconds to unlock remote.
- 2) Push + and - together.
  - 2.1) "timer" turns on. 1 Hr appears on the screen.
- 3) Push + or - to adjust the number of hours the unit will run before it automatically shuts itself off.
  - 3.1) you can choose from; 1 to 8 hours
  - 3.2) 1 through 8 will scroll in a continuous loop
- 4) After you have made your selection, the whole screen flashes for 5 seconds after last button push of + or - then goes back to previous mode
  - 4.1) "timer" remains lit to show the timer function has been set.
- 5) **At any time if you unlock the remote and push the mode button to turn the unit off, the timer setting will be erased and "timer" will disappear from the remote.**
- 6) To check how much time is remaining, press and hold the + and - buttons simultaneously.

#### Using Timer to Turn Unit On

This function is meant for a person to pre-humidify a room by setting the timer. For Example: It's 8 am, and you want to come home to a humidified room at 8 pm. To accomplish this place the unit in the desired room and set the timer to turn the unit on in 12 hours. Once the timer is activated the unit will run for a preset time of 2 hours.

- 1) Hold mode button for 2 seconds to unlock remote.
- 2) DO NOT push mode again as this will turn unit on.
- 3) Push + and - together.
  - 3.1) Unit remains off.
  - 3.2) "timer" and "auto - high" turns on and flashes on the remote, and 1 Hr appears on the screen.

- 4) Push + or - to adjust the number of hours that will pass before it turns itself on.
- 4.1) you can choose from; 1 to 16 hours
  - 4.2) 1 through 16 will scroll in a continuous loop
- 5) The whole screen flashes for 5 seconds after last button push of + or - then goes back to previous mode
- 5.1) The timer will turn the unit on and run for 2 hrs.  
During the 2 hours, the digital humidistat will maintain the room in auto – high at the default of 45%.
- 6) At any time if you unlock the remote and push the mode button on the remote, the timer setting will be erased and "timer" will disappear from the screen.**
- 7) To check how much time is remaining, press and hold the + and – buttons simultaneously.

## REPLACING THE WICK FILTER

Through normal use, waterborne minerals and sediment become trapped in the wick filter. The harder your water, the greater the amount of minerals in the water, and the more often you will need to change your wick filter. You will be able to check the life of the filter on your humidifier by checking the Filter Monitor located on the moisture outlet. When the unit is not in operation, the Filter Monitor will also read as OFF. When the unit is turned on, the Filter Monitor needle will need 60 minutes to read the current filter condition. If the needle reads change after 60 minutes, then filter replacement is needed. Regular filter replacement is necessary to ensure optimal humidifier performance.

To replace the wick filter, follow the steps below.

1. Turn the unit off and unplug the humidifier from the electrical outlet.
2. Open the filter housing using the tab on the left side of the filter door.
3. Discard the old wick filter and insert a new wick filter into the hanging tabs.
4. Repeat "Operating Instructions" steps listed within. It will take about 30 minutes for the humidifier to reach maximum output.

You can obtain your filter model by calling **1-800-788-5350** in North America or by visiting your nearest retailer or authorized service center.

This humidifier takes model WF6000 replacement filter.

## **▲ CLEANING AND MAINTENANCE INSTRUCTIONS**

Humidifiers provide comfort by adding moisture to dry, heated indoor air. To get the most benefit from the humidifier and avoid product misuse, follow all instructions carefully, specifically the operation, care and maintenance guidelines. Please note that this

is an electrical appliance, and requires attention when in use.

In addition, if you do not follow the recommended care and maintenance instructions, micro-organisms may be able to grow in the water within the humidifier's water tank.

## DAILY MAINTENANCE

1. Before cleaning, set the mode to the OFF position and unplug the unit from the electrical outlet.
2. Lift off the water tank and the humidifier housing.
3. Carry the base and the water tank to the sink, remove the filter, then drain and rinse the base and water tank thoroughly to remove any sediment and dirt. Wipe clean and dry with a clean cloth or paper towel.
4. Put the filter back in the unit, replace the humidifier housing, then refill the water tank with cool tap water as instructed under "Filling the Water Tank".
5. If moisture forms on the walls or windows, turn off the humidifier.

## WEEKLY MAINTENANCE

### Remove scale:

1. Repeat steps 1-3 above.
2. Clean the base by partially filling the base with one 8-oz cup of undiluted white vinegar, or use Clean-Away™ by Bionaire®. Let solution stand 20 minutes, cleaning all interior surfaces with a soft brush. Dampen a cloth with undiluted white vinegar and wipe out entire base to remove scale.
3. Rinse with clean warm water to remove scale and the white vinegar solution before beginning to disinfect the tank.
4. Remove the float from the bottom of the humidifier housing and remove any scale by soaking in vinegar or Clean-Away™ solution. Rinse thoroughly and re-install the float into the unit.

### DISINFECT TANK:

1. Fill water tank with 1 teaspoon of chlorine bleach and 1 gallon of water.
2. Let the solution stand for 20 minutes, swishing every few minutes. Wet all surfaces.
3. Empty the reservoir after 20 minutes, and rinse well with water until the bleach smell is gone. Dry with a clean cloth or paper towel.
4. Check to see if it is time to change the wick filter.
5. Refill the water tank with cool water, replace the humidifier housing and the water tank. Repeat Operating Instructions.



## STORAGE INSTRUCTIONS

If your humidifier will not be in use for two days or more, or at the end of the season follow these instructions.

1. Clean and dry the humidifier thoroughly as per the "Weekly Maintenance" instructions.
2. Let the humidifier dry completely before storing. Do not store with water inside the base or water tank.
3. Remove the tank cap. Do not store with the tank cap in place.
4. Store in a cool dry location.

Fig 4

Trouble Shooting for your Cool Mist Humidifier		
Trouble	Probable Cause	Solution
• Power light not illuminated.	<ul style="list-style-type: none"> <li>☛ Unit not plugged in.</li> <li>☛ Power failure.</li> </ul>	<ul style="list-style-type: none"> <li>✓ Plug in unit.</li> <li>✓ Check circuit breaker or outlet.</li> </ul>
• Mist output minimal to none.	<ul style="list-style-type: none"> <li>☛ Filter has not absorbed water.</li> <li>☛ Mineral buildup in base.</li> <li>☛ Humidistat is set too low.</li> <li>☛ Wick Filter needs to be replaced.</li> <li>☛ Normal operation.</li> </ul>	<ul style="list-style-type: none"> <li>✓ Wait 15 minutes before starting humidifier.</li> <li>✓ Regular cleaning of tray after each use will help keep the unit functioning properly.</li> <li>✓ Set the humidistat to high.</li> <li>✓ Replace your wick filter (WF6000) by calling 1-800-788-5350, or visit <a href="http://www.bionaire.com">www.bionaire.com</a>.</li> <li>✓ Mist is invisible.</li> <li>✓ Check to see if inlet or outlet grills are blocked.</li> </ul>
• Water leaks from water reservoir.	<ul style="list-style-type: none"> <li>☛ Rubber O-ring is missing or improperly placed.</li> <li>☛ Tank Cap not tight enough.</li> </ul>	<ul style="list-style-type: none"> <li>✓ Remove tank cap then replace or reposition ring.</li> <li>✓ Tighten the tank cap.</li> </ul>
• Water Filter turns brown.	<ul style="list-style-type: none"> <li>☛ Your filter needs to be changed.</li> <li>☛ In areas with particular hard water your wick filter will need to be changed frequently.</li> </ul>	<ul style="list-style-type: none"> <li>✓ Replace your wick filter (WF6000) by calling 1-800-788-5350, or visit <a href="http://www.bionaire.com">www.bionaire.com</a>.</li> <li>✓ Use Clean Away™ Solution (DMS216), to order call 1-800-788-5350, or visit <a href="http://www.bionaire.com">www.bionaire.com</a>.</li> </ul>
• Film on water reservoir.	☛ Mineral deposits cause film on tank to build up.	<ul style="list-style-type: none"> <li>✓ Replace your wick filter (WF6000) by calling 1-800-788-5350, or visit <a href="http://www.bionaire.com">www.bionaire.com</a>.</li> </ul>
• Water cloudy.	<ul style="list-style-type: none"> <li>☛ Filter needs to be replaced.</li> <li>☛ Using warm water to refill water tank.</li> </ul>	<ul style="list-style-type: none"> <li>✓ Refill using cool water.</li> <li>✓ Set the humidistat to a higher or lower setting.</li> </ul>
• Humidistat cycles on/off.	☛ Humidifier is reacting to room humidity level.	
• Very tight reservoir cap.	☛ Over tightened.	<ul style="list-style-type: none"> <li>✓ Add liquid soap or petroleum jelly to cap gasket to ease opening.</li> </ul>

## SERVICE INSTRUCTIONS

1. Do NOT attempt to repair or adjust any electrical or mechanical functions on this unit. Doing so will void the Warranty. The inside of the unit contains no user serviceable parts. All servicing should be performed by qualified personnel only.
2. If you need to exchange the unit, please return it in its original carton, with a sales receipt, to the store where you purchased it. If you are returning the unit more than 30 days after the date of purchase, please see the enclosed Warranty.
3. Should your humidifier require service, please call 1-800-788-5350 in North America for further assistance.
4. ☛ If you have any other questions or comments, feel free to write to us or **visit our website**

**[www.bionaire.com](http://www.bionaire.com)**



The Holmes Group, Inc.  
Consumer Service Department  
32B Spur Drive  
El Paso, TX 79906

## WARRANTY

Bionaire® warrants to the original retail purchaser, for TWO (2) YEARS from the date of original purchase, either to repair or replace at its option, without charge (parts and labor), any supplied or manufactured part of this humidifier which, upon inspection by an authorized service center, proves to have failed in normal use due to defects in material or workmanship, or, at its option, to replace the unit.

Operation under conditions other than those recommended or at voltages other than the voltage indicated on the unit, or any attempts by unauthorized personnel to service the unit or modify it, will render the guarantee void.

Bionaire® shall not be liable for any personal injury, property damage or any incidental or consequential damages of any kind (including water damage), resulting from defects, malfunctions, misuse, improper installation or alteration of the product.

**BIONAIRE® EXPRESSLY DISCLAIMS ALL  
RESPONSIBILITY FOR CONSEQUENTIAL  
DAMAGES OR INCIDENTAL LOSSES CAUSED  
BY USE OF THIS PRODUCT.**

The provisions of this Warranty are in addition to, and not a modification of, or subtraction from the statutory warranties and other rights and remedies contained in any applicable legislation and to the extent that any such provision purports to disclaim, exclude or limit any such statutory warranties or other rights or remedies, such provisions shall be deemed to be amended to the extent necessary to comply therewith.

**FOR WARRANTY SERVICE, PLEASE CALL  
1-800-788-5350 IN NORTH AMERICA.**

A Bonaire® consumer service representative will help determine which is the best procedure in order for your humidifier to be repaired.

**KEEP THIS NUMBER FOR FUTURE REFERENCE.**

Galileo™ is a trademark of The Holmes Group, Inc.

Bonaire® and Bonaire® logo are registered trademarks of The Holmes Group, Inc.

Clean-Away™ is a trademark of The Holmes Group, Inc.

## Free Manuals Download Website

<http://myh66.com>

<http://usermanuals.us>

<http://www.somanuals.com>

<http://www.4manuals.cc>

<http://www.manual-lib.com>

<http://www.404manual.com>

<http://www.luxmanual.com>

<http://aubethermostatmanual.com>

Golf course search by state

<http://golfingnear.com>

Email search by domain

<http://emailbydomain.com>

Auto manuals search

<http://auto.somanuals.com>

TV manuals search

<http://tv.somanuals.com>