

# BIONAIRE®

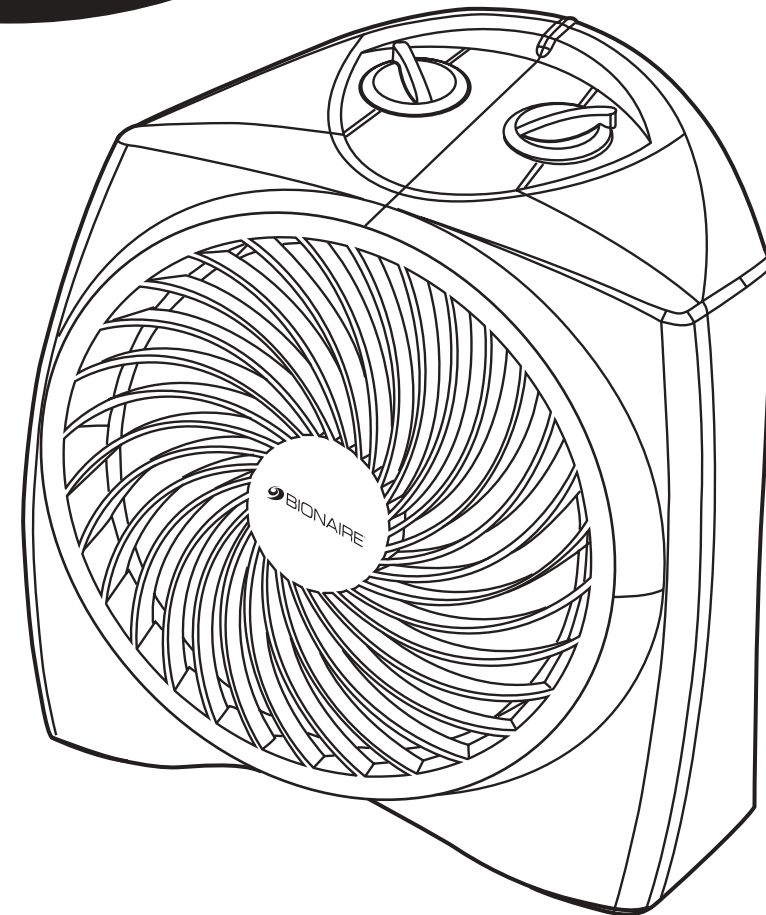
## Fan Heater

### B298



Holmes Products (Europe) Ltd.  
Unit 14 The Piper Building  
Peterborough Road  
London SW6 3EF  
England  
Telephone: +44 20 7384 9810  
Fax: +44 20 7471 4600  
www.theholmesgroup.com  
e-mail: enquiries@holmes-europe.co.uk

**UK ONLY**  
Please call our  
Freephone Customer Service Number  
**CUSTOMER SERVICE HELPLINE - 0800 052 3615**



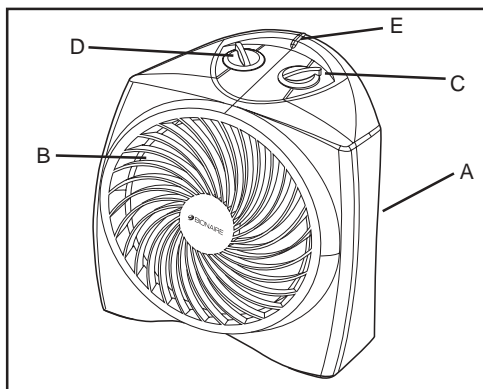
INSTRUCTION MANUAL

B298IUK02M1

PLEASE READ AND RETAIN THE FOLLOWING FOR FUTURE REFERENCE

#### GENERAL DESCRIPTION

- A) Air Inlet Opening
- B) Air Outlet Opening
- C) Mode Control
- D) Thermostat
- E) Power Light



#### IMPORTANT SAFEGUARDS

##### Mains connection

- Read these instructions carefully, in conjunction with the illustrations, before using the heater.
- Before connecting the heater, check that the voltage indicated on the rating plate corresponds to the mains voltage in your home / office.
- Avoid the use of an extension cord because it may cause the heater to overheat.
- Warning. Risk of Fire. Discontinue use if the outlet or plug become hot to the touch. Overheating may indicate a worn or damaged outlet. Consult a qualified electrician for outlet replacement.

##### Safe positioning

- Only touch the heater with dry hands
- DO NOT position where it can be touched by children, especially the very young
- DO NOT position the heater directly under a power socket
- DO NOT use this heater outdoors
- This heater is NOT intended for use in bathrooms, laundry areas and other similar indoor locations NEVER locate heater where it may fall into the bathtub or other water container.
- When using the heater, DO NOT place in the immediate surroundings of a shower or swimming pool.
- Position the heater in such a manner that the air flow toward the heater and away from it, is not obstructed.
- The heater must NOT be covered.

- Allow a safe area around the heater away from furniture or other objects; at least 50 cm from the top and sides and 120cm at the front and back.
- Do not use this heater when it is lying on its side.
- DO NOT use the heater in rooms with explosive gas (e.g. petrol) or while using inflammable glue or solvent (e.g. when gluing or varnishing parquet floors, PVC etc.)
- This heater is only intended for use on the floor and should never be positioned on a shelf or wall mounted.

##### Safety in use

- Extra caution is necessary when the heater is used near children or when it is left unattended
- DO NOT insert any objects into the heater
- Keep the mains cord at a safe distance from the main body of the heater
- Prevent overheating of the heater by keeping the air inlet and outlet unblocked. DO NOT hang anything in front of or above the heater.
- If overheating should occur, the built-in overheating safety device will switch off the heater.
- DO NOT use aerosols, inflammable substances or materials sensitive to heat in the flow of hot air

##### Servicing

- Should the heater stop working, first check the fuse in the plug (UK only) or fuse/circuit breaker at the distribution board is operating, before contacting the manufacturer or service agent.
- If the supply cord or plug is damaged, it must be replaced by the manufacturer or its service agent or a similarly qualified person in order to avoid hazard.
- The heater contains no user serviceable parts and should the product suffer damage or breakdown it must be returned to the manufacturer or their service agent.
- Should your unit require service, please contact your dealer. A proof of purchase will be required by the service centre for all warranty claims.
- We reserve the right to change or modify any specifications without notice

##### OPERATING THE HEATER

- Remove the heater from the packaging and place it in the desired location.
- Unwind the power cord fully and plug the power supply cord into a convenient electrical outlet.
- Do not position where it can be touched by children, especially the very young.
- To activate the heater, turn the knob clockwise to either the fan position for cool air, I for heating at low power (1000 W) or II for heating at maximum power (2000 W).

##### THERMOSTAT

When the room has reached the desired temperature level, the thermostat will maintain the set temperature level by switching On and Off at intervals. To find the ideal thermostat setting for your own comfort, proceed as follows:

- Set the thermostat to the maximum position by turning the thermostat knob clockwise until it stops.
- When the desired temperature in the room is reached, slowly turn the thermostat knob anti-clockwise until the heater automatically turns off.
- The thermostat will now automatically maintain the temperature at the desired level.

##### ANTI FREEZE SETTING

This heater is equipped with an anti-frost setting. This position can be used to keep the immediate area around the heater free from frost.

- Position the heater in the area you want to keep above freezing.
- Switch the heater ON by selecting I or II (depending on the room size, possible draught and expected minimum temperature).
- Turn the thermostat knob anti-clockwise until it stops. This is the minimum thermostat setting - approx +5°C. The heater will automatically switch On if the temperature in the room drops below this level.

##### AUTO SAFETY SHUT OFF

This feature will automatically switch off the heater in case of accidental overheating. Operation of the heater can only be resumed when the user has reset the unit.

##### To reset the heater

1. Turn the control knob to the 0 position
2. Unplug the heater and wait for 5-10 minutes for the unit to cool down.
3. After the 5-10 minutes, plug the unit in again and operate normally.

NOTE: If your heater is fitted with a 13 amp UK plug, the internal plug fuse may have blown and may therefore require changing. (See 'Installation of a Plug')

##### CLEANING AND MAINTENANCE

- Turn the control knob to the 0 position
- Remove the plug from the wall socket.
- Wait for the heater to cool down sufficiently.
- You may clean the outside of the heater with a damp cloth. Do NOT allow water to enter into the appliance. Do NOT use soap or chemicals, which may damage the housing. Allow sufficient time to dry before plugging the unit back in the socket.
- Clean the air inlet and outlet openings regularly (with normal use at least twice a year) with a vacuum cleaner.

##### STORAGE TIPS

If you do not plan to use your heater for an extended period of time (i.e. during the summer months), we recommend you to re-pack the unit in its original packaging or any other dust-free packaging and store it in a dry and cool place.

THIS PRODUCT IS MANUFACTURED TO COMPLY WITH THE E.E.C. DIRECTIVES 73/23/EEC, 89/336/EEC and 98/37/EEC.

##### INSTALLATION OF A PLUG

Please check that the voltage marked on the product corresponds with your supply voltage. If the plug is not suitable for the socket outlets in your home, it can be removed and replaced by a plug of the correct type. Please refer to "Installation of a plug" below.

This product is fitted with a 13A plug complying to BS1363. If this plug is unsuitable or needs to be replaced, please note the following:

The wires in the mains lead are coloured as such:

BROWN	-	LIVE
BLUE	-	NEUTRAL

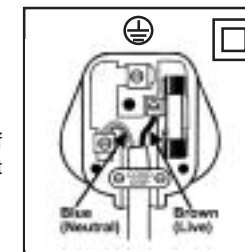
Please note that the colour of these mains wires may not correspond with the colour markings that identify the terminals in your plug. Please proceed as follows:

The BROWN coloured wire must be connected to the terminal, which is marked with the letter "L" or is coloured RED.

The BLUE coloured wire must be connected to the terminal, which is marked with the letter "N" or is coloured BLACK.

DO NOT CONNECT either of these wires to the earth terminal in the plug. The earth terminal plug is marked with the letter "E", or with the earth symbol, or coloured GREEN, or GREEN and YELLOW.

NOTE: If the terminals in the plug are not marked or if you are unsure or in doubt about the installation of the plug please contact a qualified electrician. If a 13A 3-pin plug is fitted, it must be an ASTA approved plug, conforming to BS1363 standard. Replacement 13 A fuses must be BSI or ASTA BS1362 approved.



## Free Manuals Download Website

<http://myh66.com>

<http://usermanuals.us>

<http://www.somanuals.com>

<http://www.4manuals.cc>

<http://www.manual-lib.com>

<http://www.404manual.com>

<http://www.luxmanual.com>

<http://aubethermostatmanual.com>

Golf course search by state

<http://golfingnear.com>

Email search by domain

<http://emailbydomain.com>

Auto manuals search

<http://auto.somanuals.com>

TV manuals search

<http://tv.somanuals.com>